



KR-Line Condensing Units

PRODUCT DATA & SPECIFICATIONS

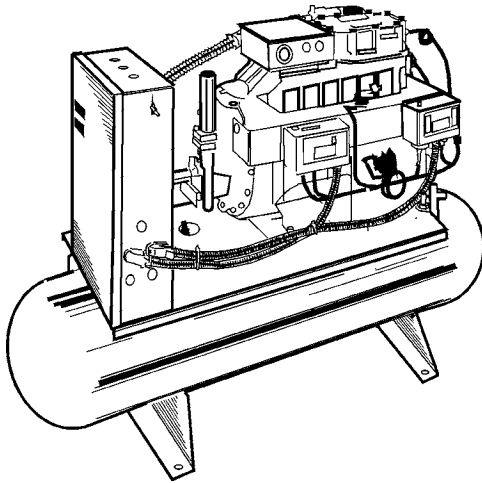
Bulletin K40-KR-PDS-17
Part # 1064613

60
Hz

Indoor Condensing Units
for Remote Condenser

1/2 to 40 HP -
High, Medium and Low
Temperature Refrigeration

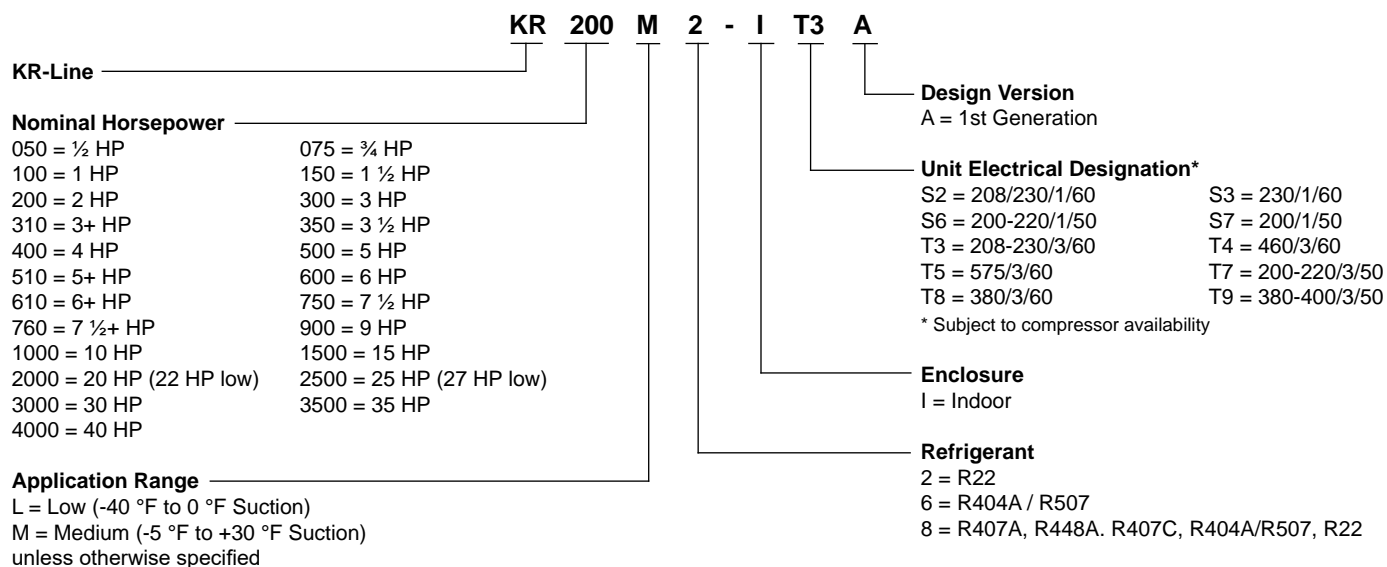
	PRODUCT SUPPORT	scan:
	web: k-rp.com/kr	
	email: rcu-wccu@k-rp.com	
	call: 1-844-893-3222 x523	



CONTENTS

	Page
Nomenclature.....	2
Features and Options.....	2
Capacity Data (Imperial and <i>Metric</i>).....	3 - 19
Electrical Data.....	20 - 21
Dimensional Data.....	22
Specifications.....	23
Wiring Diagrams.....	24 - 26
Project Information.....	23
Product Support Resources.....	BACK

NOMENCLATURE



STANDARD FEATURES

- Compatible with Low GWP Refrigerants
- Sturdy electrical control box with compressor contactor and fused control circuit
- Spring mounted, accessible semi-hermetic compressor
- Compressor cooling fan (low temp. models and air cooled compressors only) on L6 units
- Sealed liquid line filter drier and sight glass on 5.0 hp - up
- Copper tubing secured with Hydra-Zorb / Cush-A-Clamp
- Receiver with fusible plug or pressure relief valve and liquid shut off valve
- Flex hose on all controls
- Adjustable dual high / low pressure control
- CoreSense™ on all applicable models
- Suction and discharge service valves
- Electronic liquid injection on L8 units

OPTIONAL FEATURES (Factory Mounted)

- Suction accumulator with or without heat exchanger
- Sealed or replaceable core suction filter with vibration eliminator
- Oil separator c/w oil return solenoid valve
- Over-sized receiver
- Receiver inlet valve
- Discharge vibration eliminator
- Sealed liquid line filter drier and sight glass
- Liquid line solenoid valve w/ 115 and 230 volt coils (shipped loose)
- Ball valve (shipped loose)
- Two valve adjustable flooded head pressure control
- Replaceable core liquid line filter drier
- Compressor circuit breaker
- Compressor time delay relay
- Pump down toggle switch
- Time Clock - Factory mounted and wired or shipped loose
- Defrost contactor with fuse block
- Evaporator fan contactor with fuse block
- Fused disconnect
- Phase / voltage monitor
- Compressor Unloading

**OTHER OPTIONS AVAILABLE
AT YOUR REQUEST -
CONSULT FACTORY FOR PRICING**

CAPACITY DATA - **R407A** HIGH / MEDIUM TEMPERATURE

Application Data calculated at 65°F Return Gas, 0°F Liquid Subcooling

MODEL KR	SATURATED SUCTION TEMPERATURE		CAPACITY BTU/H (WATTS) R407A						CONDENSING TEMPERATURE °F (°C)					
	°F	°C	100	(37.8)	105	(40.6)	110	(43.3)	115	(46.1)	120	(48.9)	125	(51.7)
KR500M8 Compressor Model 2DC3R53KE	40	(4.4)	70100	(20540)	67100	(19660)	64200	(18820)	61200	(17940)	58300	(17090)	55400	(16240)
	35	(1.7)	62400	(18290)	59700	(17500)	57000	(16700)	54300	(15910)	51700	(15150)	49000	(14360)
	30	(-1.1)	55300	(16210)	52900	(15500)	50400	(14770)	48000	(14070)	45600	(13360)	43200	(12660)
	25	(-3.9)	48900	(14330)	46600	(13660)	44400	(13010)	42300	(12400)	40100	(11750)	38000	(11140)
	20	(-6.7)	43000	(12600)	41000	(12020)	39000	(11430)	37100	(10870)	35200	(10320)	33300	(9760)
	15	(-9.4)	37700	(11050)	35900	(10520)	34200	(10020)	32400	(9500)	30800	(9030)	29100	(8530)
	10	(-12.2)	33000	(9670)	31400	(9200)	29900	(8760)	28300	(8290)	26900	(7880)	25500	(7470)
	5	(-15.0)	28800	(8440)	27400	(8030)	26100	(7650)	24800	(7270)	23500	(6890)	22300	(6540)
0	(-17.8)	25100	(7360)	23900	(7000)	22800	(6680)	21700	(6360)	20600	(6040)	19600	(5740)	
KR510M8 Compressor Model 2DD3R63KE	40	(4.4)	80900	(23710)	77600	(22740)	74300	(21780)	70900	(20780)	67600	(19810)	64400	(18870)
	35	(1.7)	72200	(21160)	69100	(20250)	66100	(19370)	63100	(18490)	60100	(17610)	57100	(16730)
	30	(-1.1)	64100	(18790)	61400	(17990)	58600	(17170)	55900	(16380)	53200	(15590)	50500	(14800)
	25	(-3.9)	56800	(16650)	54300	(15910)	51800	(15180)	49300	(14450)	46900	(13740)	44600	(13070)
	20	(-6.7)	50000	(14650)	47800	(14010)	45600	(13360)	43400	(12720)	41300	(12100)	39200	(11490)
	15	(-9.4)	44000	(12900)	42000	(12310)	40100	(11750)	38200	(11200)	36300	(10640)	34500	(10110)
	10	(-12.2)	38600	(11310)	36900	(10810)	35200	(10320)	33500	(9820)	32000	(9380)	30400	(8910)
	5	(-15.0)	33800	(9910)	32300	(9470)	30900	(9060)	29500	(8650)	28200	(8260)	26900	(7880)
0	(-17.8)	29700	(8700)	28400	(8320)	27200	(7970)	26100	(7650)	25000	(7330)	24000	(7030)	
KR750M8 Compressor Model 2DL3R78KE	40	(4.4)	100600	(29480)	96800	(28370)	92800	(27200)	88900	(26050)	84900	(24880)	80900	(23710)
	35	(1.7)	90000	(26380)	86400	(25320)	82800	(24270)	79200	(23210)	75600	(22160)	72000	(21100)
	30	(-1.1)	80200	(23500)	77000	(22570)	73700	(21600)	70500	(20660)	67200	(19690)	64000	(18760)
	25	(-3.9)	71200	(20870)	68300	(20020)	65400	(19170)	62500	(18320)	59600	(17470)	56700	(16620)
	20	(-6.7)	63000	(18460)	60400	(17700)	57900	(16970)	55300	(16210)	52800	(15470)	50300	(14740)
	15	(-9.4)	55600	(16290)	53400	(15650)	51100	(14980)	48900	(14330)	46700	(13690)	44600	(13070)
	10	(-12.2)	49000	(14360)	47000	(13770)	45100	(13220)	43200	(12660)	41400	(12130)	39700	(11630)
	5	(-15.0)	43000	(12600)	41400	(12130)	39800	(11660)	38300	(11220)	36800	(10780)	35400	(10370)
0	(-17.8)	37800	(11080)	36500	(10700)	35200	(10320)	34000	(9960)	32900	(9640)	31900	(9350)	
KR760M8 Compressor Model 3DA3R10ME	40	(4.4)	137300	(40240)	131900	(38660)	126500	(37070)	121100	(35490)	115700	(33910)	110400	(32350)
	35	(1.7)	123200	(36110)	118400	(34700)	113600	(33290)	108800	(31890)	104000	(30480)	99200	(29070)
	30	(-1.1)	110200	(32300)	105900	(31040)	101700	(29810)	97300	(28520)	93000	(27260)	88700	(26000)
	25	(-3.9)	98300	(28810)	94500	(27700)	90600	(26550)	86700	(25410)	82800	(24270)	78800	(23090)
	20	(-6.7)	87300	(25590)	83900	(24590)	80400	(23560)	76800	(22510)	73200	(21450)	69600	(20400)
	15	(-9.4)	77200	(22630)	74200	(21750)	71000	(20810)	67700	(19840)	64300	(18840)	60900	(17850)
	10	(-12.2)	68100	(19960)	65200	(19110)	62200	(18230)	59200	(17350)	56000	(16410)	52700	(15440)
	5	(-15.0)	59800	(17530)	57000	(16700)	54200	(15880)	51200	(15010)	48100	(14100)	44900	(13160)
0	(-17.8)	52200	(15300)	49600	(14540)	46800	(13720)	43800	(12840)	40700	(11930)	37500	(10990)	
KR1000M8 Compressor Model 3DB3R12ME	40	(4.4)	161400	(47300)	155400	(45540)	149300	(43760)	143200	(41970)	137000	(40150)	130900	(38360)
	35	(1.7)	145200	(42550)	139800	(40970)	134400	(39390)	128900	(37780)	123400	(36160)	117800	(34520)
	30	(-1.1)	130200	(38160)	125400	(36750)	120600	(35340)	115700	(33910)	110700	(32440)	105600	(30950)
	25	(-3.9)	116400	(34110)	112200	(32880)	107800	(31590)	103400	(30300)	98800	(28960)	94100	(27580)
	20	(-6.7)	103800	(30420)	100000	(29310)	96000	(28130)	91900	(26930)	87700	(25700)	83300	(24410)
	15	(-9.4)	92200	(27020)	88700	(26000)	85100	(24940)	81300	(23830)	77300	(22650)	73200	(21450)
	10	(-12.2)	81600	(23910)	78400	(22980)	75000	(21980)	71400	(20930)	67600	(19810)	63600	(18640)
	5	(-15.0)	72000	(21100)	68900	(20190)	65600	(19230)	62100	(18200)	58500	(17140)	54600	(16000)
0	(-17.8)	63200	(18520)	60200	(17640)	57000	(16700)	53500	(15680)	49800	(14590)	45900	(13450)	

NOTES: - Above ratings are based on mean temperature. - To convert to dew point ratings, use 0.95 multiplier.

table continues on next page >>>

HIGH / MEDIUM TEMPERATURE (cont'd)

Application Data calculated at 65°F Return Gas, 0°F Liquid Subcooling

MODEL KR	SATURATED SUCTION TEMPERATURE °F °C	CAPACITY BTU/H (WATTS) R407A CONDENSING TEMPERATURE °F (°C)									
		100 (37.8)	105 (40.6)	110 (43.3)	115 (46.1)	120 (48.9)	125 (51.7)				
KR1500M8 Compressor Model 3DS3R17ME	40 (4.4)	214900 (62980)	206300 (60460)	197900 (58000)	189500 (55540)	181200 (53100)	173100 (50730)				
	35 (1.7)	193000 (56560)	185500 (54360)	178000 (52170)	170600 (50000)	163300 (47860)	156100 (45750)				
	30 (-1.1)	172900 (50670)	166300 (48740)	159700 (46800)	153200 (44900)	146700 (42990)	140200 (41090)				
	25 (-3.9)	154400 (45250)	148600 (43550)	142800 (41850)	137000 (40150)	131200 (38450)	125400 (36750)				
	20 (-6.7)	137500 (40300)	132300 (38770)	127100 (37250)	121900 (35730)	116700 (34200)	111500 (32680)				
	15 (-9.4)	121900 (35730)	117300 (34380)	112700 (33030)	108000 (31650)	103200 (30240)	98400 (28840)				
	10 (-12.2)	107700 (31560)	103500 (30330)	99300 (29100)	94900 (27810)	90500 (26520)	86000 (25200)				
	5 (-15.0)	94700 (27750)	90800 (26610)	86900 (25470)	82800 (24270)	78500 (23010)	74200 (21750)				
0 (-17.8)	82800 (24270)	79200 (23210)	75300 (22070)	71300 (20900)	67200 (19690)	63000 (18460)					
KR2500M8 Compressor Model 4DHNR22ME	40 (4.4)	307000 (89970)	296000 (86750)	284400 (83350)	272400 (79830)	260000 (76200)	247400 (72510)				
	35 (1.7)	277600 (81360)	267300 (78340)	256600 (75200)	245400 (71920)	234000 (68580)	222300 (65150)				
	30 (-1.1)	249300 (73060)	239800 (70280)	229900 (67380)	219600 (64360)	209100 (61280)	198400 (58150)				
	25 (-3.9)	222400 (65180)	213600 (62600)	204500 (59930)	195100 (57180)	185500 (54360)	175900 (51550)				
	20 (-6.7)	197000 (57730)	189000 (55390)	180700 (52960)	172100 (50440)	163500 (47920)	154900 (45400)				
	15 (-9.4)	173300 (50790)	166100 (48680)	158600 (46480)	150900 (44220)	143300 (42000)	135700 (39770)				
	10 (-12.2)	151500 (44400)	145000 (42500)	138400 (40560)	131600 (38570)	125000 (36630)	118500 (34730)				
	5 (-15.0)	131800 (38630)	126100 (36960)	120300 (35260)	114500 (33560)	108800 (31890)	103300 (30270)				
0 (-17.8)	114400 (33530)	109500 (32090)	104500 (30630)	99600 (29190)	94900 (27810)	90500 (26520)					
KR3000M8 Compressor Model 4DJNR28ME	40 (4.4)	357600 (104800)	345100 (101140)	332000 (97300)	318500 (93340)	304500 (89240)	290100 (85020)				
	35 (1.7)	323000 (94660)	311200 (91200)	299100 (87660)	286600 (83990)	273700 (80210)	260500 (76340)				
	30 (-1.1)	290200 (85050)	279400 (81880)	268200 (78600)	256700 (75230)	245000 (71800)	233000 (68290)				
	25 (-3.9)	259400 (76020)	249500 (73120)	239300 (70130)	228800 (67050)	218200 (63950)	207500 (60810)				
	20 (-6.7)	230600 (67580)	221600 (64940)	212300 (62220)	203000 (59490)	193600 (56740)	184100 (53950)				
	15 (-9.4)	203800 (59730)	195700 (57350)	187500 (54950)	179200 (52520)	171000 (50110)	162800 (47710)				
	10 (-12.2)	179000 (52460)	171800 (50350)	164700 (48270)	157600 (46190)	150500 (44110)	143600 (42080)				
	5 (-15.0)	156300 (45810)	150100 (43990)	144000 (42200)	138000 (40440)	132200 (38740)	126600 (37100)				
0 (-17.8)	135700 (39770)	130400 (38220)	125400 (36750)	120600 (35340)	116000 (34000)	111700 (32740)					
KR3500M8 Compressor Model 6DHNR35ME	40 (4.4)	430200 (126080)	416900 (122180)	403500 (118250)	389700 (114210)	375500 (110050)	360700 (105710)				
	35 (1.7)	387900 (113680)	375600 (110080)	363200 (106440)	350400 (102690)	337200 (98820)	323400 (94780)				
	30 (-1.1)	350000 (102570)	338700 (99260)	327200 (95890)	315500 (92460)	303400 (88920)	290700 (85200)				
	25 (-3.9)	315800 (92550)	305500 (89530)	295100 (86480)	284400 (83350)	273400 (80130)	261800 (76730)				
	20 (-6.7)	284700 (83440)	275400 (80710)	266100 (77990)	256500 (75170)	246600 (72270)	236100 (69190)				
	15 (-9.4)	256200 (75080)	247900 (72650)	239700 (70250)	231200 (67760)	222300 (65150)	213000 (62420)				
	10 (-12.2)	229500 (67260)	222300 (65150)	215200 (63070)	207800 (60900)	200100 (58640)	192000 (56270)				
	5 (-15.0)	204100 (59820)	198000 (58030)	192000 (56270)	185800 (54450)	179200 (52520)	172300 (50500)				
0 (-17.8)	179400 (52580)	174400 (51110)	169500 (49680)	164400 (48180)	159100 (46630)	153300 (44930)					
KR4000M8 Compressor Model 6DJNR40ME	40 (4.4)	528000 (154740)	508500 (149030)	488400 (143140)	467900 (137130)	447000 (131000)	425800 (124790)				
	35 (1.7)	471700 (138240)	455000 (133350)	437700 (128280)	420000 (123090)	402000 (117810)	383600 (112420)				
	30 (-1.1)	422600 (123850)	408200 (119630)	393300 (115260)	378000 (110780)	362300 (106180)	346300 (101490)				
	25 (-3.9)	379600 (111250)	367000 (107560)	354000 (103750)	340600 (99820)	326800 (95780)	312700 (91640)				
	20 (-6.7)	341300 (100020)	330200 (96770)	318600 (93370)	306600 (89860)	294300 (86250)	281700 (82560)				
	15 (-9.4)	306600 (89860)	296500 (86900)	285900 (83790)	274900 (80560)	263600 (77250)	252000 (73850)				
	10 (-12.2)	274300 (80390)	264700 (77580)	254700 (74640)	244300 (71600)	233500 (68430)	222400 (65180)				
	5 (-15.0)	243200 (71270)	233700 (68490)	223800 (65590)	213400 (62540)	202800 (59430)	191800 (56210)				
0 (-17.8)	212200 (62190)	202300 (59290)	192000 (56270)	181300 (53130)	170300 (49910)	159000 (46600)					

NOTES: - Above ratings are based on mean temperature. - To convert to dew point ratings, use 0.95 multiplier.

LOW TEMPERATURE

Application Data calculated at 65°F Return Gas, 0°F Liquid Subcooling

MODEL KR	SATURATED SUCTION TEMPERATURE		CAPACITY BTU/H (WATTS) R407A						CONDENSING TEMPERATURE °F (°C)					
	°F	°C	100 (37.8)	105 (40.6)	110 (43.3)	115 (46.1)	120 (48.9)	125 (51.7)	100 (37.8)	105 (40.6)	110 (43.3)	115 (46.1)	120 (48.9)	125 (51.7)
KR350L8 Compressor Model 2DF3F16KE	0	(-17.8)	31900 (9350)	30400 (8910)	28900 (8470)	27400 (8030)	26000 (7620)	24500 (7180)	31900 (9350)	30400 (8910)	28900 (8470)	27400 (8030)	26000 (7620)	24500 (7180)
	-5	(-20.6)	27300 (8000)	26000 (7620)	24700 (7240)	23400 (6860)	22100 (6480)	20800 (6100)	27300 (8000)	26000 (7620)	24700 (7240)	23400 (6860)	22100 (6480)	20800 (6100)
	-10	(-23.3)	23400 (6860)	22200 (6510)	21000 (6150)	19900 (5830)	18700 (5480)	17600 (5160)	23400 (6860)	22200 (6510)	21000 (6150)	19900 (5830)	18700 (5480)	17600 (5160)
	-15	(-26.1)	19900 (5830)	18900 (5540)	17800 (5220)	16800 (4920)	15800 (4630)	14800 (4340)	19900 (5830)	18900 (5540)	17800 (5220)	16800 (4920)	15800 (4630)	14800 (4340)
	-20	(-28.9)	16900 (4950)	16000 (4690)	15100 (4430)	14200 (4160)	13300 (3900)	12400 (3630)	16900 (4950)	16000 (4690)	15100 (4430)	14200 (4160)	13300 (3900)	12400 (3630)
	-25	(-31.7)	14200 (4160)	13400 (3930)	12600 (3690)	11800 (3460)	11000 (3220)	10300 (3020)	14200 (4160)	13400 (3930)	12600 (3690)	11800 (3460)	11000 (3220)	10300 (3020)
	-30	(-34.4)	11900 (3490)	11100 (3250)	10400 (3050)	9700 (2840)	9000 (2640)	8300 (2430)	11900 (3490)	11100 (3250)	10400 (3050)	9700 (2840)	9000 (2640)	8300 (2430)
	-35	(-37.2)	9600 (2810)	9000 (2640)	8300 (2430)	7700 (2260)	7000 (2050)	6400 (1880)	9600 (2810)	9000 (2640)	8300 (2430)	7700 (2260)	7000 (2050)	6400 (1880)
-40	(-40.0)	7500 (2200)	6900 (2020)	6300 (1850)	5700 (1670)	5100 (1490)	4600 (1350)	7500 (2200)	6900 (2020)	6300 (1850)	5700 (1670)	5100 (1490)	4600 (1350)	
KR400L8 Compressor Model 2DL3F20KE	0	(-17.8)	37100 (10870)	35600 (10430)	34100 (9990)	32500 (9520)	30800 (9030)	29100 (8530)	37100 (10870)	35600 (10430)	34100 (9990)	32500 (9520)	30800 (9030)	29100 (8530)
	-5	(-20.6)	32400 (9500)	31000 (9090)	29600 (8670)	28100 (8240)	26600 (7800)	25100 (7360)	32400 (9500)	31000 (9090)	29600 (8670)	28100 (8240)	26600 (7800)	25100 (7360)
	-10	(-23.3)	28100 (8240)	26800 (7850)	25500 (7470)	24200 (7090)	22800 (6680)	21400 (6270)	28100 (8240)	26800 (7850)	25500 (7470)	24200 (7090)	22800 (6680)	21400 (6270)
	-15	(-26.1)	24100 (7060)	22900 (6710)	21700 (6360)	20500 (6010)	19300 (5660)	18000 (5280)	24100 (7060)	22900 (6710)	21700 (6360)	20500 (6010)	19300 (5660)	18000 (5280)
	-20	(-28.9)	20400 (5980)	19400 (5690)	18300 (5360)	17200 (5040)	16100 (4720)	15000 (4400)	20400 (5980)	19400 (5690)	18300 (5360)	17200 (5040)	16100 (4720)	15000 (4400)
	-25	(-31.7)	17100 (5010)	16100 (4720)	15200 (4450)	14200 (4160)	13300 (3900)	12400 (3630)	17100 (5010)	16100 (4720)	15200 (4450)	14200 (4160)	13300 (3900)	12400 (3630)
	-30	(-34.4)	14000 (4100)	13200 (3870)	12400 (3630)	11600 (3400)	10800 (3170)	10000 (2930)	14000 (4100)	13200 (3870)	12400 (3630)	11600 (3400)	10800 (3170)	10000 (2930)
	-35	(-37.2)	11300 (3310)	10600 (3110)	9900 (2900)	9300 (2730)	8600 (2520)	8000 (2340)	11300 (3310)	10600 (3110)	9900 (2900)	9300 (2730)	8600 (2520)	8000 (2340)
-40	(-40.0)	8900 (2610)	8300 (2430)	7800 (2290)	7300 (2140)	6800 (1990)	6300 (1850)	8900 (2610)	8300 (2430)	7800 (2290)	7300 (2140)	6800 (1990)	6300 (1850)	
KR600L8 Compressor Model 2DA3F23KE	0	(-17.8)	43200 (12660)	41500 (12160)	39700 (11630)	37800 (11080)	35800 (10490)	33800 (9910)	43200 (12660)	41500 (12160)	39700 (11630)	37800 (11080)	35800 (10490)	33800 (9910)
	-5	(-20.6)	37700 (11050)	36100 (10580)	34400 (10080)	32700 (9580)	30900 (9060)	29000 (8500)	37700 (11050)	36100 (10580)	34400 (10080)	32700 (9580)	30900 (9060)	29000 (8500)
	-10	(-23.3)	32700 (9580)	31200 (9140)	29600 (8670)	28000 (8210)	26400 (7740)	24600 (7210)	32700 (9580)	31200 (9140)	29600 (8670)	28000 (8210)	26400 (7740)	24600 (7210)
	-15	(-26.1)	28000 (8210)	26700 (7820)	25200 (7390)	23800 (6980)	22300 (6540)	20800 (6100)	28000 (8210)	26700 (7820)	25200 (7390)	23800 (6980)	22300 (6540)	20800 (6100)
	-20	(-28.9)	23800 (6980)	22600 (6620)	21300 (6240)	20000 (5860)	18700 (5480)	17400 (5100)	23800 (6980)	22600 (6620)	21300 (6240)	20000 (5860)	18700 (5480)	17400 (5100)
	-25	(-31.7)	20000 (5860)	18800 (5510)	17700 (5190)	16600 (4860)	15500 (4540)	14400 (4220)	20000 (5860)	18800 (5510)	17700 (5190)	16600 (4860)	15500 (4540)	14400 (4220)
	-30	(-34.4)	16500 (4840)	15500 (4540)	14600 (4280)	13600 (3990)	12700 (3720)	11800 (3460)	16500 (4840)	15500 (4540)	14600 (4280)	13600 (3990)	12700 (3720)	11800 (3460)
	-35	(-37.2)	13300 (3900)	12500 (3660)	11700 (3430)	11000 (3220)	10300 (3020)	9600 (2810)	13300 (3900)	12500 (3660)	11700 (3430)	11000 (3220)	10300 (3020)	9600 (2810)
-40	(-40.0)	10400 (3050)	9800 (2870)	9200 (2700)	8700 (2550)	8200 (2400)	7800 (2290)	10400 (3050)	9800 (2870)	9200 (2700)	8700 (2550)	8200 (2400)	7800 (2290)	
KR610L8 Compressor Model 3DA3F28KE	0	(-17.8)	53000 (15530)	50800 (14890)	48600 (14240)	46300 (13570)	44000 (12900)	41700 (12220)	53000 (15530)	50800 (14890)	48600 (14240)	46300 (13570)	44000 (12900)	41700 (12220)
	-5	(-20.6)	46000 (13480)	44000 (12900)	42000 (12310)	39900 (11690)	37800 (11080)	35700 (10460)	46000 (13480)	44000 (12900)	42000 (12310)	39900 (11690)	37800 (11080)	35700 (10460)
	-10	(-23.3)	39800 (11660)	38000 (11140)	36100 (10580)	34200 (10020)	32300 (9470)	30300 (8880)	39800 (11660)	38000 (11140)	36100 (10580)	34200 (10020)	32300 (9470)	30300 (8880)
	-15	(-26.1)	34300 (10050)	32600 (9550)	30900 (9060)	29100 (8530)	27400 (8030)	25500 (7470)	34300 (10050)	32600 (9550)	30900 (9060)	29100 (8530)	27400 (8030)	25500 (7470)
	-20	(-28.9)	29300 (8590)	27800 (8150)	26200 (7680)	24600 (7210)	22900 (6710)	21200 (6210)	29300 (8590)	27800 (8150)	26200 (7680)	24600 (7210)	22900 (6710)	21200 (6210)
	-25	(-31.7)	24900 (7300)	23400 (6860)	21900 (6420)	20400 (5980)	18800 (5510)	17200 (5040)	24900 (7300)	23400 (6860)	21900 (6420)	20400 (5980)	18800 (5510)	17200 (5040)
	-30	(-34.4)	20700 (6070)	19400 (5690)	18000 (5280)	16500 (4840)	15000 (4400)	13500 (3960)	20700 (6070)	19400 (5690)	18000 (5280)	16500 (4840)	15000 (4400)	13500 (3960)
	-35	(-37.2)	16900 (4950)	15600 (4570)	14200 (4160)	12800 (3750)	11400 (3340)	9900 (2900)	16900 (4950)	15600 (4570)	14200 (4160)	12800 (3750)	11400 (3340)	9900 (2900)
-40	(-40.0)	13300 (3900)	12000 (3520)	10600 (3110)	9300 (2730)	8000 (2340)	6800 (1990)	13300 (3900)	12000 (3520)	10600 (3110)	9300 (2730)	8000 (2340)	6800 (1990)	
KR750L8 Compressor Model 3DB3F33KE	0	(-17.8)	63500 (18610)	60900 (17850)	58300 (17090)	55700 (16320)	53200 (15590)	50700 (14860)	63500 (18610)	60900 (17850)	58300 (17090)	55700 (16320)	53200 (15590)	50700 (14860)
	-5	(-20.6)	55500 (16270)	53100 (15560)	50700 (14860)	48300 (14160)	45900 (13450)	43600 (12780)	55500 (16270)	53100 (15560)	50700 (14860)	48300 (14160)	45900 (13450)	43600 (12780)
	-10	(-23.3)	48500 (14210)	46200 (13540)	44000 (12900)	41700 (12220)	39500 (11580)	37300 (10930)	48500 (14210)	46200 (13540)	44000 (12900)	41700 (12220)	39500 (11580)	37300 (10930)
	-15	(-26.1)	42200 (12370)	40100 (11750)	37900 (11110)	35800 (10490)	33700 (9880)	31600 (9260)	42200 (12370)	40100 (11750)	37900 (11110)	35800 (10490)	33700 (9880)	31600 (9260)
	-20	(-28.9)	36400 (10670)	34500 (10110)	32500 (9520)	30500 (8940)	28500 (8350)	26500 (7770)	36400 (10670)	34500 (10110)	32500 (9520)	30500 (8940)	28500 (8350)	26500 (7770)
	-25	(-31.7)	31200 (9140)	29300 (8590)	27500 (8060)	25600 (7500)	23700 (6950)	21800 (6390)	31200 (9140)	29300 (8590)	27500 (8060)	25600 (7500)	23700 (6950)	21800 (6390)
	-30	(-34.4)	26300 (7710)	24500 (7180)	22800 (6680)	20900 (6130)	19100 (5600)	17300 (5070)	26300 (7710)	24500 (7180)	22800 (6680)	20900 (6130)	19100 (5600)	17300 (5070)
	-35	(-37.2)	21600 (6330)	19900 (5830)	18200 (5330)	16500 (4840)	14800 (4340)	13000 (3810)	21600 (6330)	19900 (5830)	18200 (5330)	16500 (4840)	14800 (4340)	13000 (3810)
-40	(-40.0)	17000 (4980)	15400 (4510)	13800 (4040)	12100 (3550)	10400 (3050)	8700 (2550)	17000 (4980)	15400 (4510)	13800 (4040)	12100 (3550)	10400 (3050)	8700 (2550)	
KR900L8 Compressor Model 3DF3F40KE	0	(-17.8)	76900 (22540)	73900 (21660)	70900 (20780)	67800 (19870)	64800 (18990)	61800 (18110)	76900 (22540)	73900 (21660)	70900 (20780)	67800 (19870)	64800 (18990)	61800 (18110)
	-5	(-20.6)	67600 (19810)	64700 (18960)	61800 (18110)	58900 (17260)	56000 (16410)	53100 (15560)	67600 (19810)	64700 (18960)	61800 (18110)	58900 (17260)	56000 (16410)	53100 (15560)
	-10	(-23.3)	59000 (17290)	56300 (16500)	53500 (15680)	50700 (14860)	47900 (14040)	45200 (13250)	59000 (17290)	56300 (16500)	53500 (15680)	50700 (14860)	47900 (14040)	45200 (13250)
	-15	(-26.1)	51100 (14980)	48500 (14210)	45900 (13450)	43200 (12660)	40600 (11900)	38100 (11170)	51100 (14980)	48500 (14210)	45900 (13450)	43200 (12660)	40600 (11900)	38100 (11170)
	-20	(-28.9)	43800 (12840)	41300 (12100)	38900 (11400)	36400 (10670)	34000 (9960)	31600 (9260)	43800 (12840)	41300 (12100)	38900 (11400)	36400 (10670)	34000 (9960)	31600 (9260)
	-25	(-31.7)	37000 (10840)	34800 (10200)	32500 (9520)	30200 (8850)	27900 (8180)	25800 (7560)	37000 (10840)	34800 (10200)	32500 (9520)	30200 (8850)	27900 (8180)	25800 (7560)
	-30	(-34.4)	30800 (9030)	28700 (8410)	26600 (7800)	24500 (7180)	22500 (6590)	20500 (6010)	30800 (9030)	28700 (8410)	26600 (7800)	24500 (7180)	22500 (6590)	20500 (6010)
	-35	(-37.2)	25000 (7330)	23200 (6800)	21300 (6240)	19400 (5690)	17500 (5130)	15700 (4600)	25000 (7330)	23200 (6800)	21300 (6240)	19400 (5690)	17500 (5130)	15700 (4600)
-40	(-40.0)	19700 (5770)	18000 (5280)	16300 (4780)	14600 (4280)	13000 (3810)	11400 (3340)	19700 (5770)	18000 (5280)	16300 (4780)	14600 (4280)	13000 (3810)	11400 (3340)	

NOTES: - Above ratings are based on mean temperature. - To convert to dew point ratings, use 0.95 multiplier.

table continues on next page >>>

CAPACITY DATA - **R407A**

LOW TEMPERATURE (cont'd)

Application Data calculated at 65°F Return Gas, 0°F Liquid Subcooling

MODEL KR	SATURATED SUCTION TEMPERATURE		CAPACITY BTU/H (WATTS) R407A CONDENSING TEMPERATURE °F (°C)									
	°F	°C	100 (37.8)	105 (40.6)	110 (43.3)	115 (46.1)	120 (48.9)	125 (51.7)				
KR1000L8 Compressor Model 3DS3F46KE	0	(-17.8)	83100 (24350)	80000 (23450)	76700 (22480)	73400 (21510)	70000 (20510)	66500 (19490)				
	-5	(-20.6)	72800 (21340)	69800 (20460)	66800 (19580)	63600 (18640)	60400 (17700)	57100 (16730)				
	-10	(-23.3)	63500 (18610)	60700 (17790)	57800 (16940)	54900 (16090)	51900 (15210)	48800 (14300)				
	-15	(-26.1)	55000 (16120)	52400 (15360)	49700 (14570)	47000 (13770)	44200 (12950)	41300 (12100)				
	-20	(-28.9)	47300 (13860)	44800 (13130)	42300 (12400)	39800 (11660)	37200 (10900)	34600 (10140)				
	-25	(-31.7)	40200 (11780)	37900 (11110)	35600 (10430)	33300 (9760)	30900 (9060)	28500 (8350)				
	-30	(-34.4)	33500 (9820)	31400 (9200)	29300 (8590)	27200 (7970)	25100 (7360)	22900 (6710)				
	-35	(-37.2)	27300 (8000)	25400 (7440)	23500 (6890)	21600 (6330)	19700 (5770)	17700 (5190)				
	-40	(-40.0)	21300 (6240)	19600 (5740)	17900 (5250)	16200 (4750)	14500 (4250)	12800 (3750)				
KR1500L8 Compressor Model 4DHNF63KE	0	(-17.8)	114000 (33410)	109200 (32000)	104300 (30570)	99400 (29130)	94400 (27670)	89400 (26200)				
	-5	(-20.6)	100700 (29510)	96400 (28250)	92000 (26960)	87500 (25640)	83000 (24320)	78600 (23040)				
	-10	(-23.3)	88400 (25910)	84500 (24760)	80500 (23590)	76500 (22420)	72500 (21250)	68400 (20050)				
	-15	(-26.1)	76900 (22540)	73400 (21510)	69900 (20490)	66200 (19400)	62600 (18350)	58900 (17260)				
	-20	(-28.9)	66400 (19460)	63300 (18550)	60000 (17580)	56800 (16650)	53400 (15650)	50100 (14680)				
	-25	(-31.7)	56700 (16620)	53900 (15800)	51000 (14950)	48000 (14070)	45000 (13190)	41900 (12280)				
	-30	(-34.4)	47900 (14040)	45300 (13280)	42700 (12510)	39900 (11690)	37100 (10870)	34300 (10050)				
	-35	(-37.2)	39900 (11690)	37500 (10990)	35100 (10290)	32600 (9550)	30000 (8790)	27300 (8000)				
	-40	(-40.0)	32700 (9580)	30500 (8940)	28200 (8260)	25800 (7560)	23400 (6860)	20900 (6130)				
KR2000L8 Compressor Model 4DJNF76KE	0	(-17.8)	146200 (42850)	140300 (41120)	134300 (39360)	128200 (37570)	122000 (35750)	115700 (33910)				
	-5	(-20.6)	127800 (37450)	122300 (35840)	116800 (34230)	111100 (32560)	105300 (30860)	99400 (29130)				
	-10	(-23.3)	111000 (32530)	105900 (31040)	100800 (29540)	95600 (28020)	90200 (26430)	84700 (24820)				
	-15	(-26.1)	95600 (28020)	91000 (26670)	86400 (25320)	81600 (23910)	76700 (22480)	71700 (21010)				
	-20	(-28.9)	81800 (23970)	77700 (22770)	73600 (21570)	69300 (20310)	64900 (19020)	60400 (17700)				
	-25	(-31.7)	69700 (20430)	66100 (19370)	62500 (18320)	58700 (17200)	54800 (16060)	50800 (14890)				
	-30	(-34.4)	59300 (17380)	56300 (16500)	53100 (15560)	49900 (14620)	46500 (13630)	43100 (12630)				
	-35	(-37.2)	50600 (14830)	48200 (14130)	45600 (13360)	42900 (12570)	40100 (11750)	37200 (10900)				
	-40	(-40.0)	43800 (12840)	41900 (12280)	39900 (11690)	37800 (11080)	35600 (10430)	33300 (9760)				
KR2500L8 Compressor Model 6DHNF93KE	0	(-17.8)	175300 (51380)	169000 (49530)	162200 (47540)	154900 (45400)	147000 (43080)	138600 (40620)				
	-5	(-20.6)	150700 (44170)	145000 (42500)	138800 (40680)	132100 (38710)	125000 (36630)	117400 (34410)				
	-10	(-23.3)	130000 (38100)	124800 (36580)	119200 (34930)	113100 (33150)	106500 (31210)	99600 (29190)				
	-15	(-26.1)	112500 (32970)	107700 (31560)	102400 (30010)	96800 (28370)	90800 (26610)	84400 (24740)				
	-20	(-28.9)	97400 (28550)	92800 (27200)	87900 (25760)	82600 (24210)	77000 (22570)	71000 (20810)				
	-25	(-31.7)	83900 (24590)	79500 (23300)	74800 (21920)	69700 (20430)	64400 (18870)	58700 (17200)				
	-30	(-34.4)	71200 (20870)	66800 (19580)	62200 (18230)	57300 (16790)	52200 (15300)	46700 (13690)				
	-35	(-37.2)	58500 (17140)	54100 (15860)	49500 (14510)	44600 (13070)	39500 (11580)	34200 (10020)				
	-40	(-40.0)	45100 (13220)	40500 (11870)	35700 (10460)	30800 (9030)	25700 (7530)	20400 (5980)				
KR3000L8 Compressor Model 6DJNF11ME	0	(-17.8)	209400 (61370)	201400 (59020)	193200 (56620)	184800 (54160)	176000 (51580)	166900 (48910)				
	-5	(-20.6)	183200 (53690)	175900 (51550)	168500 (49380)	160700 (47100)	152600 (44720)	144000 (42200)				
	-10	(-23.3)	159700 (46800)	153100 (44870)	146200 (42850)	139000 (40740)	131400 (38510)	123400 (36160)				
	-15	(-26.1)	138400 (40560)	132400 (38800)	126000 (36930)	119300 (34960)	112200 (32880)	104600 (30660)				
	-20	(-28.9)	119100 (34900)	113500 (33260)	107500 (31510)	101200 (29660)	94500 (27700)	87200 (25560)				
	-25	(-31.7)	101200 (29660)	95900 (28110)	90300 (26460)	84300 (24710)	77900 (22830)	70900 (20780)				
	-30	(-34.4)	84400 (24740)	79400 (23270)	74100 (21720)	68300 (20020)	62000 (18170)	55100 (16150)				
	-35	(-37.2)	68300 (20020)	63500 (18610)	58300 (17090)	52600 (15420)	46400 (13600)	39600 (11610)				
	-40	(-40.0)	52500 (15390)	47800 (14010)	42600 (12480)	37000 (10840)	30700 (9000)	23900 (7000)				

NOTES: - Above ratings are based on mean temperature. - To convert to dew point ratings, use 0.95 multiplier.

CAPACITY DATA - **R448A** HIGH / MEDIUM TEMPERATURE

Application Data calculated at 65°F Return Gas, 0°F Liquid Subcooling

MODEL KR	SATURATED SUCTION TEMPERATURE		CAPACITY BTU/H (WATTS) R448A AMBIENT TEMPERATURE °F (°C)									
	°F	°C	100 (37.8)	105 (40.6)	110 (43.3)	115 (46.1)	120 (48.9)	125 (51.7)				
KR500M8 Compressor Model 2DC3R53KE	40	(4.4)	70800 (20750)	67800 (19870)	64700 (18960)	61700 (18080)	58700 (17200)	55700 (16320)				
	35	(1.7)	63400 (18580)	60600 (17760)	57800 (16940)	55000 (16120)	52300 (15330)	49500 (14510)				
	30	(-1.1)	56500 (16560)	54000 (15830)	51400 (15060)	48900 (14330)	46400 (13600)	43900 (12870)				
	25	(-3.9)	50100 (14680)	47800 (14010)	45500 (13330)	43200 (12660)	41000 (12020)	38700 (11340)				
	20	(-6.7)	44300 (12980)	42200 (12370)	40100 (11750)	38100 (11170)	36100 (10580)	34100 (9990)				
	15	(-9.4)	39000 (11430)	37100 (10870)	35300 (10350)	33400 (9790)	31600 (9260)	29900 (8760)				
	10	(-12.2)	34200 (10020)	32500 (9520)	30900 (9060)	29300 (8590)	27700 (8120)	26200 (7680)				
	5	(-15.0)	29900 (8760)	28400 (8320)	27000 (7910)	25600 (7500)	24200 (7090)	23000 (6740)				
0	(-17.8)	26100 (7650)	24800 (7270)	23600 (6920)	22400 (6560)	21300 (6240)	20200 (5920)					
KR510M8 Compressor Model 2DD3R63KE	40	(4.4)	81500 (23890)	78100 (22890)	74700 (21890)	71200 (20870)	67800 (19870)	64600 (18930)				
	35	(1.7)	73100 (21420)	69900 (20490)	66800 (19580)	63700 (18670)	60600 (17760)	57600 (16880)				
	30	(-1.1)	65200 (19110)	62500 (18320)	59600 (17470)	56800 (16650)	54100 (15860)	51300 (15030)				
	25	(-3.9)	58100 (17030)	55600 (16290)	53000 (15530)	50400 (14770)	48000 (14070)	45500 (13330)				
	20	(-6.7)	51500 (15090)	49300 (14450)	47000 (13770)	44700 (13100)	42500 (12460)	40200 (11780)				
	15	(-9.4)	45700 (13390)	43500 (12750)	41600 (12190)	39500 (11580)	37400 (10960)	35500 (10400)				
	10	(-12.2)	40200 (11780)	38400 (11250)	36600 (10730)	34800 (10200)	33100 (9700)	31200 (9140)				
	5	(-15.0)	35400 (10370)	33700 (9880)	32200 (9440)	30600 (8970)	29000 (8500)	27600 (8090)				
0	(-17.8)	31200 (9140)	29700 (8700)	28300 (8290)	26900 (7880)	25600 (7500)	24300 (7120)					
KR750M8 Compressor Model 2DL3R78KE	40	(4.4)	101000 (29600)	97000 (28430)	93000 (27260)	88900 (26050)	84900 (24880)	80900 (23710)				
	35	(1.7)	90700 (26580)	87100 (25530)	83400 (24440)	79800 (23390)	76100 (22300)	72500 (21250)				
	30	(-1.1)	81300 (23830)	78100 (22890)	74800 (21920)	71500 (20950)	68200 (19990)	64900 (19020)				
	25	(-3.9)	72800 (21340)	69800 (20460)	66900 (19610)	63900 (18730)	61000 (17880)	58000 (17000)				
	20	(-6.7)	65000 (19050)	62300 (18260)	59700 (17500)	57100 (16730)	54400 (15940)	51700 (15150)				
	15	(-9.4)	57900 (16970)	55500 (16270)	53200 (15590)	50800 (14890)	48400 (14180)	46000 (13480)				
	10	(-12.2)	51400 (15060)	49300 (14450)	47200 (13830)	45100 (13220)	43000 (12600)	40800 (11960)				
	5	(-15.0)	45500 (13330)	43600 (12780)	41700 (12220)	39800 (11660)	37900 (11110)	36000 (10550)				
0	(-17.8)	40000 (11720)	38400 (11250)	36700 (10760)	35000 (10260)	33300 (9760)	31600 (9260)					
KR760M8 Compressor Model 3DA3R10ME	40	(4.4)	138200 (40500)	132500 (38830)	126800 (37160)	121100 (35490)	115500 (33850)	109900 (32210)				
	35	(1.7)	124800 (36580)	119700 (35080)	114600 (33590)	109500 (32090)	104400 (30600)	99400 (29130)				
	30	(-1.1)	112300 (32910)	107700 (31560)	103200 (30240)	98600 (28900)	94000 (27550)	89500 (26230)				
	25	(-3.9)	100600 (29480)	96500 (28280)	92400 (27080)	88300 (25880)	84200 (24680)	80000 (23450)				
	20	(-6.7)	89800 (26320)	86100 (25230)	82400 (24150)	78700 (23060)	74900 (21950)	71100 (20840)				
	15	(-9.4)	79800 (23390)	76400 (22390)	73100 (21420)	69600 (20400)	66100 (19370)	62700 (18380)				
	10	(-12.2)	70500 (20660)	67500 (19780)	64400 (18870)	61200 (17940)	57900 (16970)	54700 (16030)				
	5	(-15.0)	62000 (18170)	59200 (17350)	56300 (16500)	53300 (15620)	50200 (14710)	47100 (13800)				
0	(-17.8)	54200 (15880)	51500 (15090)	48800 (14300)	45900 (13450)	42900 (12570)	39900 (11690)					
KR1000M8 Compressor Model 3DB3R12ME	40	(4.4)	162500 (47620)	156200 (45780)	149700 (43870)	143200 (41970)	136700 (40060)	130200 (38160)				
	35	(1.7)	147100 (43110)	141400 (41440)	135600 (39740)	129700 (38010)	123800 (36280)	117900 (34550)				
	30	(-1.1)	132700 (38890)	127600 (37400)	122300 (35840)	117100 (34320)	111700 (32740)	106300 (31150)				
	25	(-3.9)	119200 (34930)	114600 (33590)	109900 (32210)	105100 (30800)	100300 (29390)	95300 (27930)				
	20	(-6.7)	106700 (31270)	102600 (30070)	98300 (28810)	93900 (27520)	89500 (26230)	84900 (24880)				
	15	(-9.4)	95100 (27870)	91400 (26790)	87500 (25640)	83400 (24440)	79300 (23240)	75100 (22010)				
	10	(-12.2)	84400 (24740)	81000 (23740)	77400 (22680)	73600 (21570)	69800 (20460)	65700 (19250)				
	5	(-15.0)	74600 (21860)	71400 (20930)	68000 (19930)	64400 (18870)	60700 (17790)	56900 (16680)				
0	(-17.8)	65600 (19230)	62500 (18320)	59300 (17380)	55800 (16350)	52300 (15330)	48500 (14210)					

NOTES:

- Above ratings are based on mean temperature.
- To convert to dew point ratings, use 0.95 multiplier.
- Shaded Area Restriction: 20°F Max Superheat
- For R449A, use R448A data.

table continues on next page >>>

HIGH / MEDIUM TEMPERATURE (cont'd)

Application Data calculated at 65°F Return Gas, 0°F Liquid Subcooling

MODEL KR	SATURATED SUCTION TEMPERATURE °F °C	CAPACITY BTU/H (WATTS) R448A AMBIENT TEMPERATURE °F (°C)							
		100 (37.8)	105 (40.6)	110 (43.3)	115 (46.1)	120 (48.9)	125 (51.7)		
KR1500M8 Compressor Model 3DS3R17ME	40 (4.4)	220500 (64620)	211300 (61930)	202200 (59260)	193100 (56590)	184200 (53980)	175500 (51430)		
	35 (1.7)	199300 (58410)	191200 (56030)	183100 (53660)	175000 (51290)	167100 (48970)	159300 (46690)		
	30 (-1.1)	179600 (52640)	172400 (50530)	165200 (48420)	158000 (46310)	151000 (44250)	144000 (42200)		
	25 (-3.9)	161200 (47240)	154800 (45370)	148400 (43490)	142100 (41650)	135800 (39800)	129600 (37980)		
	20 (-6.7)	144100 (42230)	138500 (40590)	132800 (38920)	127200 (37280)	121600 (35640)	116100 (34030)		
	15 (-9.4)	128300 (37600)	123300 (36140)	118300 (34670)	113200 (33180)	108200 (31710)	103300 (30270)		
	10 (-12.2)	113800 (33350)	109300 (32030)	104800 (30710)	100200 (29370)	95700 (28050)	91100 (26700)		
	5 (-15.0)	100400 (29420)	96300 (28220)	92200 (27020)	88000 (25790)	83800 (24560)	79700 (23360)		
0 (-17.8)	88100 (25820)	84300 (24710)	80500 (23590)	76600 (22450)	72700 (21310)	68800 (20160)			
KR2500M8 Compressor Model 4DHNR22ME	40 (4.4)	308900 (90530)	296900 (87010)	284900 (83500)	272800 (79950)	260700 (76400)	248600 (72860)		
	35 (1.7)	277900 (81440)	267100 (78280)	256100 (75060)	245200 (71860)	234200 (68640)	223200 (65410)		
	30 (-1.1)	249500 (73120)	239700 (70250)	229800 (67350)	219900 (64450)	209900 (61520)	199900 (58580)		
	25 (-3.9)	223500 (65500)	214600 (62890)	205700 (60280)	196700 (57650)	187700 (55010)	178600 (52340)		
	20 (-6.7)	199600 (58500)	191600 (56150)	183600 (53810)	175500 (51430)	167300 (49030)	159100 (46630)		
	15 (-9.4)	177700 (52080)	170600 (50000)	163400 (47890)	156100 (45750)	148700 (43580)	141300 (41410)		
	10 (-12.2)	157800 (46250)	151400 (44370)	144900 (42470)	138300 (40530)	131700 (38600)	125000 (36630)		
	5 (-15.0)	139600 (40910)	133800 (39210)	128000 (37510)	122100 (35780)	116100 (34030)	110100 (32270)		
0 (-17.8)	122900 (36020)	117800 (34520)	112600 (33000)	107200 (31420)	101800 (29830)	96300 (28220)			
KR3000M8 Compressor Model 4DJNR28ME	40 (4.4)	357200 (104680)	344500 (100960)	331100 (97040)	317300 (92990)	303000 (88800)	288200 (84460)		
	35 (1.7)	324700 (95160)	312900 (91700)	300500 (88070)	287700 (84320)	274500 (80450)	260800 (76430)		
	30 (-1.1)	294100 (86190)	283200 (83000)	271700 (79630)	259900 (76170)	247700 (72590)	235100 (68900)		
	25 (-3.9)	265300 (77750)	255100 (74760)	244700 (71710)	233800 (68520)	222500 (65210)	210900 (61810)		
	20 (-6.7)	238100 (69780)	228800 (67050)	219200 (64240)	209200 (61310)	198900 (58290)	188300 (55190)		
	15 (-9.4)	212600 (62310)	204100 (59820)	195300 (57240)	186200 (54570)	176800 (51810)	167200 (49000)		
	10 (-12.2)	188700 (55300)	180900 (53020)	172900 (50670)	164600 (48240)	156100 (45750)	147300 (43170)		
	5 (-15.0)	166200 (48710)	159100 (46630)	151800 (44490)	144300 (42290)	136600 (40030)	128700 (37720)		
0 (-17.8)	145100 (42520)	138700 (40650)	132100 (38710)	125300 (36720)	118300 (34670)	111300 (32620)			
KR3500M8 Compressor Model 6DHNR35ME	40 (4.4)	435800 (127720)	419500 (122940)	403300 (118200)	387300 (113510)	371400 (108850)	355600 (104220)		
	35 (1.7)	396600 (116230)	382100 (111980)	367700 (107760)	353300 (103540)	339100 (99380)	324900 (95220)		
	30 (-1.1)	359400 (105330)	346400 (101520)	333600 (97770)	320800 (94020)	308000 (90270)	295300 (86540)		
	25 (-3.9)	324000 (94950)	312500 (91580)	301100 (88240)	289700 (84900)	278300 (81560)	266900 (78220)		
	20 (-6.7)	290600 (85170)	280400 (82180)	270200 (79190)	260100 (76230)	249900 (73240)	239700 (70250)		
	15 (-9.4)	259300 (75990)	250300 (73360)	241200 (70690)	232100 (68020)	222900 (65330)	213700 (62630)		
	10 (-12.2)	230200 (67460)	222100 (65090)	214000 (62720)	205800 (60310)	197600 (57910)	189100 (55420)		
	5 (-15.0)	203300 (59580)	196000 (57440)	188700 (55300)	181300 (53130)	173800 (50940)	166100 (48680)		
0 (-17.8)	178700 (52370)	172100 (50440)	165500 (48500)	158600 (46480)	151600 (44430)	144500 (42350)			
KR4000M8 Compressor Model 6DJNR40ME	40 (4.4)	518900 (152070)	499500 (146390)	480200 (140730)	461000 (135110)	442000 (129540)	423200 (124030)		
	35 (1.7)	472300 (138420)	455000 (133350)	437700 (128280)	420600 (123270)	403600 (118280)	386700 (113330)		
	30 (-1.1)	427900 (125400)	412400 (120860)	397000 (116350)	381800 (111890)	366500 (107410)	351400 (102980)		
	25 (-3.9)	385700 (113040)	371900 (108990)	358200 (104980)	344600 (100990)	331000 (97010)	317500 (93050)		
	20 (-6.7)	345700 (101310)	333500 (97740)	321400 (94190)	309300 (90650)	297100 (87070)	285000 (83520)		
	15 (-9.4)	308300 (90350)	297500 (87190)	286700 (84020)	275900 (80860)	265000 (77660)	254100 (74470)		
	10 (-12.2)	273500 (80150)	263900 (77340)	254300 (74530)	244600 (71680)	234800 (68810)	225000 (65940)		
	5 (-15.0)	241500 (70780)	232800 (68230)	224200 (65710)	215400 (63130)	206600 (60550)	197700 (57940)		
0 (-17.8)	212200 (62190)	204400 (59900)	196600 (57620)	188700 (55300)	180500 (52900)	172300 (50500)			

NOTES:

- Above ratings are based on mean temperature.
- To convert to dew point ratings, use 0.95 multiplier.
- Shaded Area Restriction: 20°F Max Superheat
- For R449A, use R448A data.

LOW TEMPERATURE

Application Data calculated at 65°F Return Gas, 0°F Liquid Subcooling

MODEL KR	SATURATED SUCTION TEMPERATURE		CAPACITY BTU/H (WATTS) R448A AMBIENT TEMPERATURE °F (°C)									
	°F	°C	100 (37.8)	105 (40.6)	110 (43.3)	115 (46.1)	120 (48.9)	125 (51.7)				
KR350L8 Compressor Model 2DF3F16KE	0	(-17.8)	33600 (9850)	32000 (9380)	30400 (8910)	28800 (8440)	27200 (7970)	25600 (7500)				
	-5	(-20.6)	28800 (8440)	27400 (8030)	25900 (7590)	24500 (7180)	23100 (6770)	21700 (6360)				
	-10	(-23.3)	24600 (7210)	23300 (6830)	22000 (6450)	20800 (6100)	19500 (5710)	18300 (5360)				
	-15	(-26.1)	20900 (6130)	19800 (5800)	18700 (5480)	17600 (5160)	16500 (4840)	15400 (4510)				
	-20	(-28.9)	17800 (5220)	16800 (4920)	15800 (4630)	14800 (4340)	13800 (4040)	12900 (3780)				
	-25	(-31.7)	15000 (4400)	14100 (4130)	13300 (3900)	12400 (3630)	11500 (3370)	10700 (3140)				
	-30	(-34.4)	12600 (3690)	11800 (3460)	11000 (3220)	10200 (2990)	9490 (2780)	8770 (2570)				
	-35	(-37.2)	10500 (3080)	9730 (2850)	9020 (2640)	8320 (2440)	7650 (2240)	7010 (2050)				
-40	(-40.0)	8500 (2490)	7810 (2290)	7160 (2100)	6520 (1910)	5910 (1730)	5330 (1560)					
KR400L8 Compressor Model 2DL3F20KE	0	(-17.8)	38700 (11340)	37100 (10870)	35400 (10370)	33700 (9880)	31900 (9350)	30000 (8790)				
	-5	(-20.6)	33900 (9940)	32400 (9500)	30900 (9060)	29300 (8590)	27600 (8090)	25900 (7590)				
	-10	(-23.3)	29500 (8650)	28100 (8240)	26600 (7800)	25200 (7390)	23700 (6950)	22100 (6480)				
	-15	(-26.1)	25400 (7440)	24100 (7060)	22800 (6680)	21400 (6270)	20100 (5890)	18700 (5480)				
	-20	(-28.9)	21600 (6330)	20400 (5980)	19200 (5630)	18000 (5280)	16800 (4920)	15600 (4570)				
	-25	(-31.7)	18200 (5330)	17100 (5010)	16100 (4720)	15000 (4400)	13900 (4070)	12900 (3780)				
	-30	(-34.4)	15100 (4430)	14200 (4160)	13300 (3900)	12300 (3600)	11400 (3340)	10500 (3080)				
	-35	(-37.2)	12400 (3630)	11600 (3400)	10800 (3170)	10000 (2930)	9280 (2720)	8540 (2500)				
-40	(-40.0)	10100 (2960)	9410 (2760)	8760 (2570)	8120 (2380)	7520 (2200)	6930 (2030)					
KR600L8 Compressor Model 2DA3F23KE	0	(-17.8)	45100 (13220)	43200 (12660)	41300 (12100)	39200 (11490)	37000 (10840)	34800 (10200)				
	-5	(-20.6)	39400 (11550)	37600 (11020)	35800 (10490)	33900 (9940)	31900 (9350)	29800 (8730)				
	-10	(-23.3)	34200 (10020)	32600 (9550)	30900 (9060)	29100 (8530)	27300 (8000)	25400 (7440)				
	-15	(-26.1)	29500 (8650)	27900 (8180)	26400 (7740)	24800 (7270)	23100 (6770)	21400 (6270)				
	-20	(-28.9)	25200 (7390)	23800 (6980)	22300 (6540)	20900 (6130)	19400 (5690)	17900 (5250)				
	-25	(-31.7)	21200 (6210)	20000 (5860)	18700 (5480)	17400 (5100)	16100 (4720)	14800 (4340)				
	-30	(-34.4)	17700 (5190)	16600 (4860)	15400 (4510)	14300 (4190)	13200 (3870)	12100 (3550)				
	-35	(-37.2)	14500 (4250)	13500 (3960)	12500 (3660)	11600 (3400)	10600 (3110)	9690 (2840)				
-40	(-40.0)	11500 (3370)	10700 (3140)	9880 (2900)	9100 (2670)	8350 (2450)	7620 (2230)					
KR610L8 Compressor Model 3DA3F28KE	0	(-17.8)	45100 (13220)	43200 (12660)	41300 (12100)	39200 (11490)	37000 (10840)	34800 (10200)				
	-5	(-20.6)	39400 (11550)	37600 (11020)	35800 (10490)	33900 (9940)	31900 (9350)	29800 (8730)				
	-10	(-23.3)	34200 (10020)	32600 (9550)	30900 (9060)	29100 (8530)	27300 (8000)	25400 (7440)				
	-15	(-26.1)	29500 (8650)	27900 (8180)	26400 (7740)	24800 (7270)	23100 (6770)	21400 (6270)				
	-20	(-28.9)	25200 (7390)	23800 (6980)	22300 (6540)	20900 (6130)	19400 (5690)	17900 (5250)				
	-25	(-31.7)	21200 (6210)	20000 (5860)	18700 (5480)	17400 (5100)	16100 (4720)	14800 (4340)				
	-30	(-34.4)	17700 (5190)	16600 (4860)	15400 (4510)	14300 (4190)	13200 (3870)	12100 (3550)				
	-35	(-37.2)	14500 (4250)	13500 (3960)	12500 (3660)	11600 (3400)	10600 (3110)	9690 (2840)				
-40	(-40.0)	11500 (3370)	10700 (3140)	9880 (2900)	9100 (2670)	8350 (2450)	7620 (2230)					
KR750L8 Compressor Model 3DB3F33KE	0	(-17.8)	66300 (19430)	63600 (18640)	60900 (17850)	58200 (17060)	55500 (16270)	52900 (15500)				
	-5	(-20.6)	57900 (16970)	55400 (16240)	52900 (15500)	50400 (14770)	47800 (14010)	45400 (13310)				
	-10	(-23.3)	50500 (14800)	48100 (14100)	45800 (13420)	43400 (12720)	41000 (12020)	38800 (11370)				
	-15	(-26.1)	43900 (12870)	41700 (12220)	39400 (11550)	37200 (10900)	35000 (10260)	32800 (9610)				
	-20	(-28.9)	38000 (11140)	35900 (10520)	33700 (9880)	31600 (9260)	29500 (8650)	27500 (8060)				
	-25	(-31.7)	32600 (9550)	30600 (8970)	28600 (8380)	26600 (7800)	24600 (7210)	22600 (6620)				
	-30	(-34.4)	27700 (8120)	25800 (7560)	23900 (7000)	22000 (6450)	20100 (5890)	18200 (5330)				
	-35	(-37.2)	23200 (6800)	21400 (6270)	19500 (5710)	17700 (5190)	15800 (4630)	14000 (4100)				
-40	(-40.0)	18900 (5540)	17200 (5040)	15400 (4510)	13600 (3990)	11800 (3460)	10000 (2930)					
KR900L8 Compressor Model 3DF3F40KE	0	(-17.8)	82500 (24180)	78900 (23120)	75400 (22100)	71700 (21010)	68000 (19930)	64300 (18840)				
	-5	(-20.6)	71700 (21010)	68400 (20050)	65100 (19080)	61800 (18110)	58400 (17120)	55000 (16120)				
	-10	(-23.3)	62000 (18170)	59000 (17290)	56000 (16410)	53000 (15530)	49800 (14590)	46700 (13690)				
	-15	(-26.1)	53400 (15650)	50700 (14860)	47900 (14040)	45100 (13220)	42200 (12370)	39300 (11520)				
	-20	(-28.9)	45800 (13420)	43200 (12660)	40600 (11900)	38000 (11140)	35300 (10350)	32600 (9550)				
	-25	(-31.7)	38900 (11400)	36500 (10700)	34100 (9990)	31600 (9260)	29100 (8530)	26500 (7770)				
	-30	(-34.4)	32700 (9580)	30500 (8940)	28200 (8260)	25800 (7560)	23400 (6860)	21000 (6150)				
	-35	(-37.2)	27100 (7940)	24900 (7300)	22700 (6650)	20400 (5980)	18100 (5300)	15800 (4630)				
-40	(-40.0)	22000 (6450)	19800 (5800)	17700 (5190)	15400 (4510)	13200 (3870)	10800 (3170)					

NOTES:

- Above ratings are based on mean temperature.
- To convert to dew point ratings, use 0.95 multiplier.
- Shaded Area Restriction: 20°F Max Superheat
- For R449A, use R448A data.

table continues on next page >>>

CAPACITY DATA - **R448A**

LOW TEMPERATURE (cont'd)

Application Data calculated at 65°F Return Gas, 0°F Liquid Subcooling

MODEL KR	SATURATED SUCTION TEMPERATURE		CAPACITY BTU/H (WATTS) R448A AMBIENT TEMPERATURE °F (°C)									
	°F	°C	100 (37.8)	105 (40.6)	110 (43.3)	115 (46.1)	120 (48.9)	125 (51.7)				
KR1000L8 Compressor Model 3DS3F46KE	0	(-17.8)	90500 (26520)	86600 (25380)	82700 (24240)	78700 (23060)	74600 (21860)	70500 (20660)				
	-5	(-20.6)	78600 (23040)	75100 (22010)	71500 (20950)	67800 (19870)	64100 (18790)	60400 (17700)				
	-10	(-23.3)	68000 (19930)	64800 (18990)	61500 (18020)	58100 (17030)	54700 (16030)	51300 (15030)				
	-15	(-26.1)	58600 (17170)	55600 (16290)	52600 (15420)	49400 (14480)	46300 (13570)	43100 (12630)				
	-20	(-28.9)	50200 (14710)	47400 (13890)	44600 (13070)	41700 (12220)	38700 (11340)	35800 (10490)				
	-25	(-31.7)	42600 (12480)	40000 (11720)	37400 (10960)	34700 (10170)	31900 (9350)	29100 (8530)				
	-30	(-34.4)	35900 (10520)	33400 (9790)	30900 (9060)	28300 (8290)	25700 (7530)	23000 (6740)				
	-35	(-37.2)	29700 (8700)	27400 (8030)	24900 (7300)	22400 (6560)	19900 (5830)	17300 (5070)				
-40	(-40.0)	24100 (7060)	21700 (6360)	19400 (5690)	16900 (4950)	14400 (4220)	11900 (3490)					
KR1500L8 Compressor Model 4DHNFF63KE	0	(-17.8)	117300 (34380)	112100 (32850)	106900 (31330)	101600 (29780)	96400 (28250)	91300 (26760)				
	-5	(-20.6)	103800 (30420)	99100 (29040)	94400 (27670)	89700 (26290)	85000 (24910)	80300 (23530)				
	-10	(-23.3)	91400 (26790)	87200 (25560)	83000 (24320)	78700 (23060)	74400 (21800)	70200 (20570)				
	-15	(-26.1)	80100 (23470)	76300 (22360)	72400 (21220)	68500 (20080)	64600 (18930)	60700 (17790)				
	-20	(-28.9)	69700 (20430)	66200 (19400)	62600 (18350)	59000 (17290)	55400 (16240)	51800 (15180)				
	-25	(-31.7)	60000 (17580)	56800 (16650)	53400 (15650)	50000 (14650)	46600 (13660)	43200 (12660)				
	-30	(-34.4)	51000 (14950)	47800 (14010)	44700 (13100)	41400 (12130)	38100 (11170)	34900 (10230)				
	-35	(-37.2)	42400 (12430)	39300 (11520)	36200 (10610)	33100 (9700)	29900 (8760)	26700 (7820)				
-40	(-40.0)	34100 (9990)	31000 (9090)	28000 (8210)	24800 (7270)	21600 (6330)	18400 (5390)					
KR2000L8 Compressor Model 4DJNFF76KE	0	(-17.8)	151500 (44400)	145100 (42520)	138800 (40680)	132400 (38800)	125900 (36900)	119500 (35020)				
	-5	(-20.6)	132200 (38740)	126400 (37040)	120500 (35310)	114600 (33590)	108600 (31830)	102600 (30070)				
	-10	(-23.3)	115100 (33730)	109700 (32150)	104300 (30570)	98800 (28960)	93200 (27310)	87600 (25670)				
	-15	(-26.1)	99900 (29280)	95000 (27840)	89900 (26350)	84700 (24820)	79500 (23300)	74300 (21780)				
	-20	(-28.9)	86400 (25320)	81700 (23940)	77000 (22570)	72200 (21160)	67300 (19720)	62300 (18260)				
	-25	(-31.7)	74100 (21720)	69700 (20430)	65300 (19140)	60700 (17790)	56000 (16410)	51400 (15060)				
	-30	(-34.4)	62800 (18400)	58600 (17170)	54400 (15940)	50000 (14650)	45600 (13360)	41100 (12050)				
	-35	(-37.2)	52100 (15270)	48100 (14100)	44000 (12900)	39800 (11660)	35600 (10430)	31200 (9140)				
-40	(-40.0)	41700 (12220)	37900 (11110)	33900 (9940)	29800 (8730)	25600 (7500)	21300 (6240)					
KR2500L8 Compressor Model 6DHNFF93KE	0	(-17.8)	181600 (53220)	174400 (51110)	167000 (48940)	159300 (46690)	151300 (44340)	143000 (41910)				
	-5	(-20.6)	159000 (46600)	152500 (44690)	145600 (42670)	138500 (40590)	131000 (38390)	123200 (36110)				
	-10	(-23.3)	138700 (40650)	132600 (38860)	126300 (37010)	119700 (35080)	112700 (33030)	105400 (30890)				
	-15	(-26.1)	120300 (35260)	114700 (33620)	108800 (31890)	102600 (30070)	96000 (28130)	89100 (26110)				
	-20	(-28.9)	103700 (30390)	98500 (28870)	92900 (27230)	87100 (25530)	80900 (23710)	74300 (21780)				
	-25	(-31.7)	88600 (25970)	83700 (24530)	78500 (23010)	72900 (21360)	66900 (19610)	60600 (17760)				
	-30	(-34.4)	74800 (21920)	70100 (20540)	65100 (19080)	59700 (17500)	53900 (15800)	47800 (14010)				
	-35	(-37.2)	61900 (18140)	57400 (16820)	52600 (15420)	47300 (13860)	41700 (12220)	35700 (10460)				
-40	(-40.0)	49900 (14620)	45400 (13310)	40700 (11930)	35500 (10400)	30000 (8790)	24000 (7030)					
KR3000L8 Compressor Model 6DJNFF11ME	0	(-17.8)	219200 (64240)	210500 (61690)	201500 (59050)	192300 (56360)	182600 (53510)	172600 (50580)				
	-5	(-20.6)	191800 (56210)	183900 (53900)	175700 (51490)	167100 (48970)	158100 (46330)	148700 (43580)				
	-10	(-23.3)	167300 (49030)	160000 (46890)	152400 (44660)	144400 (42320)	136000 (39860)	127200 (37280)				
	-15	(-26.1)	145200 (42550)	138500 (40590)	131400 (38510)	123900 (36310)	116000 (34000)	107600 (31530)				
	-20	(-28.9)	125300 (36720)	119000 (34880)	112300 (32910)	105200 (30830)	97700 (28630)	89700 (26290)				
	-25	(-31.7)	107100 (31390)	101100 (29630)	94800 (27780)	88000 (25790)	80800 (23680)	73100 (21420)				
	-30	(-34.4)	90300 (26460)	84600 (24790)	78500 (23010)	71900 (21070)	64900 (19020)	57400 (16820)				
	-35	(-37.2)	74600 (21860)	69100 (20250)	63100 (18490)	56700 (16620)	49800 (14590)	42400 (12430)				
-40	(-40.0)	59700 (17500)	54200 (15880)	48400 (14180)	41900 (12280)	35000 (10260)	27600 (8090)					

NOTES:

- Above ratings are based on mean temperature.
- To convert to dew point ratings, use 0.95 multiplier.
- Shaded Area Restriction: 20°F Max Superheat
- For R449A, use R448A data.

CAPACITY DATA - **R407C**

HIGH / MEDIUM TEMPERATURE

Application Data calculated at 65°F Return Gas, 0°F Liquid Subcooling

MODEL KR	SATURATED SUCTION TEMPERATURE ° F ° C	CAPACITY BTU/H (WATTS) R407C					CONDENSING TEMPERATURE ° F (° C)				
		100 (37.8)	105 (40.6)	110 (43.3)	115 (46.1)	120 (48.9)	125 (51.7)				
KR500M8 Compressor Model 2DC3R53KE	45 (7.2)	76000 (22270)	73300 (21480)	70600 (20690)	68000 (19930)	65400 (19170)	62900 (18430)				
	40 (4.4)	67600 (19810)	65100 (19080)	62600 (18350)	60200 (17640)	57800 (16940)	55500 (16270)				
	35 (1.7)	59900 (17550)	57600 (16880)	55300 (16210)	53000 (15530)	50900 (14920)	48800 (14300)				
	30 (-1.1)	52900 (15500)	50700 (14860)	48600 (14240)	46600 (13660)	44600 (13070)	42700 (12510)				
	25 (-3.9)	46500 (13630)	44500 (13040)	42600 (12480)	40700 (11930)	38900 (11400)	37200 (10900)				
	20 (-6.7)	40800 (11960)	39000 (11430)	37200 (10900)	35500 (10400)	33900 (9940)	32300 (9470)				
	15 (-9.4)	35600 (10430)	34000 (9960)	32400 (9500)	30900 (9060)	29400 (8620)	28000 (8210)				
10 (-12.2)	31000 (9090)	29600 (8670)	28200 (8260)	26800 (7850)	25500 (7470)	24300 (7120)					
KR510M8 Compressor Model 2DD3R63KE	45 (7.2)	87700 (25700)	84600 (24790)	81600 (23910)	78600 (23040)	75800 (22210)	73000 (21390)				
	40 (4.4)	78100 (22890)	75300 (22070)	72500 (21250)	69800 (20460)	67100 (19660)	64600 (18930)				
	35 (1.7)	69300 (20310)	66700 (19550)	64100 (18790)	61600 (18050)	59200 (17350)	56900 (16680)				
	30 (-1.1)	61300 (17970)	58900 (17260)	56500 (16560)	54200 (15880)	52000 (15240)	49900 (14620)				
	25 (-3.9)	54000 (15830)	51800 (15180)	49700 (14570)	47600 (13950)	45600 (13360)	43600 (12780)				
	20 (-6.7)	47400 (13890)	45400 (13310)	43500 (12750)	41600 (12190)	39800 (11660)	38100 (11170)				
	15 (-9.4)	41500 (12160)	39700 (11630)	38000 (11140)	36300 (10640)	34800 (10200)	33200 (9730)				
10 (-12.2)	36300 (10640)	34700 (10170)	33200 (9730)	31700 (9290)	30300 (8880)	29000 (8500)					
KR750M8 Compressor Model 2DL3R78KE	45 (7.2)	108700 (31860)	105200 (30830)	101800 (29830)	98300 (28810)	95000 (27840)	91700 (26870)				
	40 (4.4)	97100 (28460)	93800 (27490)	90600 (26550)	87400 (25610)	84300 (24710)	81200 (23800)				
	35 (1.7)	86400 (25320)	83400 (24440)	80400 (23560)	77500 (22710)	74600 (21860)	71800 (21040)				
	30 (-1.1)	76700 (22480)	73900 (21660)	71100 (20840)	68400 (20050)	65800 (19280)	63200 (18520)				
	25 (-3.9)	67800 (19870)	65200 (19110)	62700 (18380)	60300 (17670)	57900 (16970)	55600 (16290)				
	20 (-6.7)	59700 (17500)	57400 (16820)	55200 (16180)	53000 (15530)	50900 (14920)	48800 (14300)				
	15 (-9.4)	52500 (15390)	50500 (14800)	48500 (14210)	46500 (13630)	44700 (13100)	42900 (12570)				
10 (-12.2)	46100 (13510)	44300 (12980)	42600 (12480)	40900 (11990)	39300 (11520)	37800 (11080)					
KR760M8 Compressor Model 3DA3R10ME	45 (7.2)	144600 (42380)	138900 (40710)	133500 (39120)	128200 (37570)	123000 (36050)	118100 (34610)				
	40 (4.4)	130000 (38100)	125000 (36630)	120300 (35260)	115700 (33910)	111200 (32590)	106700 (31270)				
	35 (1.7)	116500 (34140)	112300 (32910)	108100 (31680)	104100 (30510)	100100 (29340)	96100 (28160)				
	30 (-1.1)	104200 (30540)	100500 (29450)	96900 (28400)	93400 (27370)	89800 (26320)	86200 (25260)				
	25 (-3.9)	93000 (27260)	89800 (26320)	86600 (25380)	83400 (24440)	80200 (23500)	76800 (22510)				
	20 (-6.7)	82800 (24270)	80000 (23450)	77100 (22600)	74200 (21750)	71100 (20840)	68000 (19930)				
	15 (-9.4)	73400 (21510)	70900 (20780)	68300 (20020)	65600 (19230)	62700 (18380)	59600 (17470)				
10 (-12.2)	65000 (19050)	62700 (18380)	60200 (17640)	57600 (16880)	54700 (16030)	51600 (15120)					
KR1000M8 Compressor Model 3DB3R12ME	45 (7.2)	169700 (49730)	163400 (47890)	157200 (46070)	151300 (44340)	145500 (42640)	139700 (40940)				
	40 (4.4)	152800 (44780)	147300 (43170)	142000 (41620)	136800 (40090)	131600 (38570)	126500 (37070)				
	35 (1.7)	137300 (40240)	132600 (38860)	128000 (37510)	123400 (36160)	118800 (34820)	114100 (33440)				
	30 (-1.1)	123100 (36080)	119100 (34900)	115000 (33700)	111000 (32530)	106800 (31300)	102600 (30070)				
	25 (-3.9)	110200 (32300)	106700 (31270)	103100 (30220)	99400 (29130)	95700 (28050)	91700 (26870)				
	20 (-6.7)	98400 (28840)	95300 (27930)	92100 (26990)	88700 (26000)	85200 (24970)	81400 (23860)				
	15 (-9.4)	87600 (25670)	84900 (24880)	81900 (24000)	78800 (23090)	75400 (22100)	71600 (20980)				
10 (-12.2)	77900 (22830)	75300 (22070)	72500 (21250)	69500 (20370)	66100 (19370)	62300 (18260)					
KR1500M8 Compressor Model 3DS3R17ME	45 (7.2)	226200 (66290)	217100 (63630)	208500 (61110)	200200 (58670)	192200 (56330)	184500 (54070)				
	40 (4.4)	203400 (59610)	195600 (57320)	188200 (55160)	181000 (53050)	174100 (51020)	167300 (49030)				
	35 (1.7)	182500 (53490)	175900 (51550)	169500 (49680)	163300 (47860)	157200 (46070)	151300 (44340)				
	30 (-1.1)	163500 (47920)	157800 (46250)	152300 (44630)	146900 (43050)	141600 (41500)	136300 (39950)				
	25 (-3.9)	146100 (42820)	141300 (41410)	136500 (40000)	131800 (38630)	127000 (37220)	122200 (35810)				
	20 (-6.7)	130300 (38190)	126100 (36960)	121900 (35730)	117700 (34490)	113400 (33230)	108900 (31920)				
	15 (-9.4)	115900 (33970)	112200 (32880)	108500 (31800)	104600 (30660)	100600 (29480)	96300 (28220)				
10 (-12.2)	102800 (30130)	99500 (29160)	96000 (28130)	92400 (27080)	88400 (25910)	84200 (24680)					
KR2500M8 Compressor Model 4DHN22ME	45 (7.2)	350400 (102690)	331200 (97060)	312300 (91530)	293900 (86130)	276000 (80890)	258700 (75820)				
	40 (4.4)	310200 (90910)	293800 (86100)	277700 (81390)	262000 (76780)	246800 (72330)	232100 (68020)				
	35 (1.7)	273900 (80270)	260000 (76200)	246400 (72210)	233100 (68310)	220300 (64560)	208000 (60960)				
	30 (-1.1)	241300 (70720)	229700 (67320)	218300 (63980)	207100 (60690)	196400 (57560)	186100 (54540)				
	25 (-3.9)	212200 (62190)	202600 (59380)	193000 (56560)	183700 (53840)	174700 (51200)	166200 (48710)				
	20 (-6.7)	186400 (54630)	178300 (52250)	170300 (49910)	162600 (47650)	155100 (45460)	148100 (43400)				
	15 (-9.4)	163400 (47890)	156700 (45920)	150000 (43960)	143500 (42060)	137200 (40210)	131400 (38510)				
10 (-12.2)	143200 (41970)	137500 (40300)	131800 (38630)	126300 (37010)	120900 (35430)	115900 (33970)					

NOTES: - Above ratings are based on mean temperature. - To convert to dew point ratings, use 0.95 multiplier.

table continues on next page >>>

CAPACITY DATA - **R407C**

HIGH / MEDIUM TEMPERATURE (cont'd)

Application Data calculated at 65°F Return Gas, 0°F Liquid Subcooling

MODEL KR	SATURATED SUCTION TEMPERATURE		CAPACITY BTU/H (WATTS) R407C						CONDENSING TEMPERATURE °F (°C)					
	°F	°C	100 (37.8)	105 (40.6)	110 (43.3)	115 (46.1)	120 (48.9)	125 (51.7)	100 (37.8)	105 (40.6)	110 (43.3)	115 (46.1)	120 (48.9)	125 (51.7)
KR3000M8 Compressor Model 4DJNR28ME	45 (7.2)		411600 (120630)	389000 (114000)	367100 (107590)	345900 (101370)	325400 (95360)	305700 (89590)						
	40 (4.4)		362500 (106240)	343300 (100610)	324800 (95190)	306900 (89940)	289600 (84870)	273000 (80010)						
	35 (1.7)		319100 (93520)	303000 (88800)	287500 (84260)	272500 (79860)	258100 (75640)	244300 (71600)						
	30 (-1.1)		280900 (82320)	267500 (78400)	254600 (74620)	242200 (70980)	230300 (67490)	219000 (64180)						
	25 (-3.9)		247300 (72480)	236200 (69220)	225600 (66120)	215400 (63130)	205700 (60280)	196400 (57560)						
	20 (-6.7)		217800 (63830)	208800 (61190)	200000 (58610)	191700 (56180)	183800 (53870)	176200 (51640)						
	15 (-9.4)		192000 (56270)	184500 (54070)	177300 (51960)	170500 (49970)	163900 (48030)	157800 (46250)						
10 (-12.2)		169100 (49560)	162900 (47740)	156900 (45980)	151200 (44310)	145700 (42700)	140600 (41210)							
KR3500M8 Compressor Model 6DHNR35ME	45 (7.2)		475700 (139410)	457100 (133960)	438300 (128450)	419400 (122910)	400300 (117320)	381000 (111660)						
	40 (4.4)		418900 (122770)	402900 (118080)	386800 (113360)	370500 (108580)	354000 (103750)	337200 (98820)						
	35 (1.7)		369600 (108320)	356000 (104330)	342200 (100290)	328200 (96190)	313900 (91990)	299300 (87720)						
	30 (-1.1)		326900 (95800)	315400 (92430)	303500 (88950)	291500 (85430)	279100 (81800)	266500 (78100)						
	25 (-3.9)		289900 (84960)	280100 (82090)	270000 (79130)	259500 (76050)	248800 (72920)	237700 (69660)						
	20 (-6.7)		257700 (75520)	249200 (73030)	240500 (70480)	231400 (67820)	221900 (65030)	212100 (62160)						
	15 (-9.4)		229300 (67200)	222000 (65060)	214200 (62780)	206200 (60430)	197700 (57940)	188800 (55330)						
10 (-12.2)		203900 (59760)	197300 (57820)	190300 (55770)	182900 (53600)	175100 (51320)	166800 (48880)							
KR4000M8 Compressor Model 6DJNR40ME	45 (7.2)		649100 (190230)	627300 (183840)	600900 (176110)	570300 (167140)	535900 (157060)	498200 (146010)						
	40 (4.4)		560200 (164180)	539500 (158110)	514900 (150900)	486600 (142610)	455300 (133430)	421200 (123440)						
	35 (1.7)		485100 (142170)	465700 (136480)	442800 (129770)	417100 (122240)	388800 (113950)	358500 (105070)						
	30 (-1.1)		422100 (123700)	403900 (118370)	383000 (112250)	359800 (105450)	334600 (98060)	308100 (90290)						
	25 (-3.9)		369300 (108230)	352500 (103310)	333500 (97740)	312900 (91700)	290900 (85250)	268200 (78600)						
	20 (-6.7)		324900 (95220)	309500 (90710)	292500 (85720)	274500 (80450)	255900 (75000)	237000 (69460)						
	15 (-9.4)		287100 (84140)	273100 (80040)	258200 (75670)	242900 (71190)	227600 (66700)	212600 (62310)						
10 (-12.2)		254000 (74440)	241500 (70780)	228800 (67050)	216200 (63360)	204300 (59870)	193300 (56650)							

NOTES: - Above ratings are based on mean temperature. - To convert to dew point ratings, use 0.95 multiplier.

CAPACITY DATA - **R404A** **R507**

HIGH / MEDIUM TEMPERATURE

Application Data calculated at 65°F Return Gas, 0°F Liquid Subcooling

MODEL KR	SATURATED SUCTION TEMPERATURE		CAPACITY BTU/H (WATTS) R404A R507						CONDENSING TEMPERATURE °F (°C)					
	°F	°C	100 (37.8)	105 (40.6)	110 (43.3)	115 (46.1)	120 (48.9)	125 (51.7)	100 (37.8)	105 (40.6)	110 (43.3)	115 (46.1)	120 (48.9)	125 (51.7)
KR100M6 Compressor Model KARB-010E	25 (-3.9)		10400 (3050)	9900 (2900)	9300 (2730)	8800 (2580)	8300 (2430)	7700 (2260)						
	20 (-6.7)		9500 (2780)	9000 (2640)	8500 (2490)	8000 (2340)	7500 (2200)	7000 (2050)						
	15 (-9.4)		8500 (2490)	8100 (2370)	7600 (2230)	7200 (2110)	6700 (1960)	6300 (1850)						
	10 (-12.2)		7600 (2230)	7200 (2110)	6800 (1990)	6400 (1880)	5900 (1730)	5500 (1610)						
	5 (-15.0)		6700 (1960)	6300 (1850)	6000 (1760)	5600 (1640)	5200 (1520)	4800 (1410)						
	0 (-17.8)		5900 (1730)	5500 (1610)	5200 (1520)	4900 (1440)	4500 (1320)	4200 (1230)						
-5 (-20.6)		25130 (7358)	23920 (7004)	22730 (6655)	21530 (6304)	20350 (5958)	19170 (5613)							
KR200M6 Compressor Model KAKB-021E	25 (-3.9)		17600 (5160)	16700 (4890)	15800 (4630)	14900 (4370)	14000 (4100)	13100 (3840)						
	20 (-6.7)		15600 (4570)	14800 (4340)	14000 (4100)	13200 (3870)	12400 (3630)	11600 (3400)						
	15 (-9.4)		14000 (4100)	13200 (3870)	12500 (3660)	11800 (3460)	11100 (3250)	10300 (3020)						
	10 (-12.2)		12500 (3660)	11800 (3460)	11200 (3280)	10600 (3110)	9900 (2900)	9300 (2730)						
	5 (-15.0)		11200 (3280)	10600 (3110)	10000 (2930)	9500 (2780)	8900 (2610)	8300 (2430)						
	0 (-17.8)		9900 (2900)	9400 (2750)	8900 (2610)	8400 (2460)	7900 (2320)	7400 (2170)						
-5 (-20.6)		30020 (8790)	28630 (8383)	27250 (7979)	25900 (7584)	24570 (7194)	23260 (6811)							
KR210M6 Compressor Model ERCA-021E	25 (-3.9)		22000 (6450)	20800 (6100)	19500 (5710)	18300 (5360)	17100 (5010)	15900 (4660)						
	20 (-6.7)		19600 (5740)	18500 (5420)	17400 (5100)	16300 (4780)	15200 (4450)	14100 (4130)						
	15 (-9.4)		17400 (5100)	16400 (4810)	15400 (4510)	14400 (4220)	13400 (3930)	12400 (3630)						
	10 (-12.2)		15500 (4540)	14600 (4280)	13600 (3990)	12700 (3720)	11800 (3460)	10900 (3190)						
	5 (-15.0)		13700 (4020)	12800 (3750)	12000 (3520)	11200 (3280)	10400 (3050)	9600 (2810)						
	0 (-17.8)		11900 (3490)	11200 (3280)	10500 (3080)	9700 (2840)	9000 (2640)	8300 (2430)						
-5 (-20.6)		36610 (10719)	34970 (10239)	33350 (9765)	31730 (9291)	30120 (8819)	28510 (8348)							

HIGH / MEDIUM TEMPERATURE

Application Data calculated at 65°F Return Gas, 0°F Liquid Subcooling

MODEL KR	SATURATED SUCTION TEMPERATURE		CAPACITY BTU/H (WATTS) R404A R507 CONDENSING TEMPERATURE °F (°C)									
	°F	°C	100 (37.8)	105 (40.6)	110 (43.3)	115 (46.1)	120 (48.9)	125 (51.7)				
KR300M8 Compressor Model ERFB-031E	40 (4.4)		-	-	-	-	-	-	-	-	-	-
	35 (1.7)		-	-	-	-	-	-	-	-	-	-
	30 (-1.1)		-	-	-	-	-	-	-	-	-	-
	25 (-3.9)		31500 (9230)	30000 (8790)	28400 (8320)	26700 (7820)	25100 (7360)	23400 (6860)				
	20 (-6.7)		28200 (8260)	26700 (7820)	25300 (7410)	23800 (6980)	22300 (6540)	20800 (6100)				
	15 (-9.4)		25100 (7360)	23800 (6980)	22500 (6590)	21100 (6180)	19800 (5800)	18400 (5390)				
	10 (-12.2)		22300 (6540)	21100 (6180)	19900 (5830)	18700 (5480)	17500 (5130)	16300 (4780)				
	5 (-15.0)		19700 (5770)	18600 (5450)	17600 (5160)	16500 (4840)	15300 (4480)	14200 (4160)				
0 (-17.8)		17400 (5100)	16400 (4810)	15400 (4510)	14400 (4220)	13400 (3930)	12400 (3630)					
KR500M8 Compressor Model 2DC3R53KE	40 (4.4)		68400 (20050)	64800 (18990)	61200 (17940)	57700 (16910)	54200 (15880)	50800 (14890)				
	35 (1.7)		61500 (18020)	58300 (17090)	55000 (16120)	51900 (15210)	48700 (14270)	45600 (13360)				
	30 (-1.1)		55100 (16150)	52200 (15300)	49300 (14450)	46500 (13630)	43600 (12780)	40900 (11990)				
	25 (-3.9)		49200 (14420)	46600 (13660)	44000 (12900)	41400 (12130)	38900 (11400)	36400 (10670)				
	20 (-6.7)		43700 (12810)	41400 (12130)	39100 (11460)	36800 (10780)	34600 (10140)	32400 (9500)				
	15 (-9.4)		38700 (11340)	36600 (10730)	34600 (10140)	32600 (9550)	30600 (8970)	28600 (8380)				
	10 (-12.2)		34100 (9990)	32300 (9470)	30500 (8940)	28700 (8410)	27000 (7910)	25200 (7390)				
	5 (-15.0)		29900 (8760)	28400 (8320)	26800 (7850)	25200 (7390)	23700 (6950)	22100 (6480)				
0 (-17.8)		26200 (7680)	24800 (7270)	23400 (6860)	22100 (6480)	20700 (6070)	19300 (5660)					
KR510M8 Compressor Model 2DD3R63KE	40 (4.4)		81100 (23770)	77200 (22630)	73200 (21450)	69200 (20280)	65200 (19110)	61100 (17910)				
	35 (1.7)		73200 (21450)	69600 (20400)	66000 (19340)	62400 (18290)	58700 (17200)	55000 (16120)				
	30 (-1.1)		65800 (19280)	62500 (18320)	59300 (17380)	56000 (16410)	52700 (15440)	49400 (14480)				
	25 (-3.9)		58900 (17260)	55900 (16380)	53000 (15530)	50100 (14680)	47100 (13800)	44100 (12920)				
	20 (-6.7)		52400 (15360)	49800 (14590)	47200 (13830)	44600 (13070)	41900 (12280)	39300 (11520)				
	15 (-9.4)		46500 (13630)	44200 (12950)	41900 (12280)	39500 (11580)	37200 (10900)	34800 (10200)				
	10 (-12.2)		41100 (12050)	39000 (11430)	37000 (10840)	34900 (10230)	32800 (9610)	30800 (9030)				
	5 (-15.0)		36200 (10610)	34400 (10080)	32500 (9520)	30700 (9000)	28900 (8470)	27100 (7940)				
0 (-17.8)		31800 (9320)	30200 (8850)	28600 (8380)	27000 (7910)	25400 (7440)	23900 (7000)					
KR750M8 Compressor Model 2DL3R78KE	40 (4.4)		98800 (28960)	94000 (27550)	89200 (26140)	84400 (24740)	79700 (23360)	74900 (21950)				
	35 (1.7)		89100 (26110)	84800 (24850)	80400 (23560)	76100 (22300)	71900 (21070)	67600 (19810)				
	30 (-1.1)		80100 (23470)	76200 (22330)	72300 (21190)	68500 (20080)	64600 (18930)	60800 (17820)				
	25 (-3.9)		71800 (21040)	68300 (20020)	64800 (18990)	61400 (17990)	58000 (17000)	54500 (15970)				
	20 (-6.7)		64100 (18790)	61000 (17880)	57900 (16970)	54900 (16090)	51800 (15180)	48700 (14270)				
	15 (-9.4)		57100 (16730)	54300 (15910)	51600 (15120)	48900 (14330)	46200 (13540)	43400 (12720)				
	10 (-12.2)		50700 (14860)	48200 (14130)	45800 (13420)	43400 (12720)	41000 (12020)	38600 (11310)				
	5 (-15.0)		44800 (13130)	42700 (12510)	40500 (11870)	38400 (11250)	36300 (10640)	34200 (10020)				
0 (-17.8)		39600 (11610)	37700 (11050)	35800 (10490)	33900 (9940)	32000 (9380)	30100 (8820)					
KR760M8 Compressor Model 3DA3R10ME	40 (4.4)		132900 (38950)	126000 (36930)	119300 (34960)	113000 (33120)	106800 (31300)	100800 (29540)				
	35 (1.7)		120000 (35170)	113800 (33350)	107900 (31620)	102300 (29980)	96800 (28370)	91500 (26820)				
	30 (-1.1)		108000 (31650)	102600 (30070)	97400 (28550)	92400 (27080)	87600 (25670)	82900 (24300)				
	25 (-3.9)		97000 (28430)	92200 (27020)	87700 (25700)	83300 (24410)	79100 (23180)	74900 (21950)				
	20 (-6.7)		86900 (25470)	82700 (24240)	78700 (23060)	74900 (21950)	71200 (20870)	67500 (19780)				
	15 (-9.4)		77600 (22740)	74000 (21690)	70500 (20660)	67200 (19690)	64000 (18760)	60700 (17790)				
	10 (-12.2)		69100 (20250)	66000 (19340)	63000 (18460)	60100 (17610)	57300 (16790)	54400 (15940)				
	5 (-15.0)		61400 (17990)	58700 (17200)	56200 (16470)	53700 (15740)	51200 (15010)	48600 (14240)				
0 (-17.8)		54400 (15940)	52100 (15270)	49900 (14620)	47700 (13980)	45500 (13330)	43200 (12660)					
KR1000M8 Compressor Model 3DB3R12ME	40 (4.4)		156000 (45720)	148700 (43580)	141300 (41410)	134100 (39300)	126800 (37160)	119600 (35050)				
	35 (1.7)		141100 (41350)	134500 (39420)	128000 (37510)	121500 (35610)	114900 (33670)	108400 (31770)				
	30 (-1.1)		127400 (37340)	121600 (35640)	115700 (33910)	109900 (32210)	104000 (30480)	98200 (28780)				
	25 (-3.9)		114800 (33640)	109600 (32120)	104400 (30600)	99200 (29070)	94000 (27550)	88800 (26020)				
	20 (-6.7)		103300 (30270)	98600 (28900)	94000 (27550)	89400 (26200)	84800 (24850)	80100 (23470)				
	15 (-9.4)		92700 (27170)	88600 (25970)	84500 (24760)	80400 (23560)	76300 (22360)	72100 (21130)				
	10 (-12.2)		83000 (24320)	79300 (23240)	75700 (22190)	72100 (21130)	68400 (20050)	64700 (18960)				
	5 (-15.0)		74000 (21690)	70800 (20750)	67600 (19810)	64400 (18870)	61100 (17910)	57800 (16940)				
0 (-17.8)		65900 (19310)	63000 (18460)	60100 (17610)	57300 (16790)	54400 (15940)	51400 (15060)					

- Outside Operating Range

HIGH / MEDIUM TEMPERATURE (cont'd)

Application Data calculated at 65°F Return Gas, 0°F Liquid Subcooling

MODEL KR	SATURATED SUCTION TEMPERATURE °F °C	CAPACITY BTU/H (WATTS) R404A R507 CONDENSING TEMPERATURE °F (°C)									
		100 (37.8)	105 (40.6)	110 (43.3)	115 (46.1)	120 (48.9)	125 (51.7)				
KR1500M8 Compressor Model 3DS3R17ME	40 (4.4)	215100 (63040)	204700 (59990)	194300 (56940)	184000 (53920)	173800 (50940)	163700 (47980)				
	35 (1.7)	194500 (57000)	185100 (54250)	175800 (51520)	166600 (48830)	157500 (46160)	148400 (43490)				
	30 (-1.1)	175500 (51430)	167100 (48970)	158800 (46540)	150600 (44140)	142400 (41730)	134300 (39360)				
	25 (-3.9)	158000 (46310)	150500 (44110)	143100 (41940)	135800 (39800)	128600 (37690)	121300 (35550)				
	20 (-6.7)	141900 (41590)	135300 (39650)	128800 (37750)	122300 (35840)	115800 (33940)	109400 (32060)				
	15 (-9.4)	127200 (37280)	121400 (35580)	115600 (33880)	109900 (32210)	104200 (30540)	98500 (28870)				
	10 (-12.2)	113800 (33350)	108600 (31830)	103500 (30330)	98500 (28870)	93400 (27370)	88400 (25910)				
	5 (-15.0)	101500 (29750)	97000 (28430)	92500 (27110)	88000 (25790)	83500 (24470)	79100 (23180)				
	0 (-17.8)	90300 (26460)	86300 (25290)	82300 (24120)	78400 (22980)	74400 (21800)	70500 (20660)				
KR2500M8 Compressor Model 4DHNR22ME	40 (4.4)	287500 (84260)	273000 (80010)	258800 (75850)	245000 (71800)	231500 (67850)	218200 (63950)				
	35 (1.7)	262600 (76960)	249300 (73060)	236400 (69280)	223800 (65590)	211500 (61980)	199400 (58440)				
	30 (-1.1)	238600 (69930)	226500 (66380)	214800 (62950)	203300 (59580)	192100 (56300)	181100 (53070)				
	25 (-3.9)	215500 (63160)	204600 (59960)	194000 (56860)	183600 (53810)	173500 (50850)	163500 (47920)				
	20 (-6.7)	193700 (56770)	183800 (53870)	174300 (51080)	164900 (48330)	155800 (45660)	146700 (42990)				
	15 (-9.4)	173100 (50730)	164300 (48150)	155800 (45660)	147400 (43200)	139100 (40770)	131000 (38390)				
	10 (-12.2)	154000 (45130)	146200 (42850)	138600 (40620)	131100 (38420)	123700 (36250)	116400 (34110)				
	5 (-15.0)	136600 (40030)	129700 (38010)	122900 (36020)	116200 (34050)	109700 (32150)	103100 (30220)				
	0 (-17.8)	121000 (35460)	114900 (33670)	108900 (31920)	103000 (30190)	97200 (28490)	91300 (26760)				
KR3000M8 Compressor Model 4DJNR28ME	40 (4.4)	351200 (102930)	334000 (97890)	316900 (92870)	299800 (87860)	282800 (82880)	265700 (77870)				
	35 (1.7)	318300 (93280)	302700 (88710)	287100 (84140)	271600 (79600)	256000 (75030)	240500 (70480)				
	30 (-1.1)	287600 (84290)	273400 (80130)	259300 (75990)	245200 (71860)	231100 (67730)	217000 (63600)				
	25 (-3.9)	259000 (75910)	246100 (72120)	233400 (68400)	220600 (64650)	207900 (60930)	195200 (57210)				
	20 (-6.7)	232300 (68080)	220800 (64710)	209300 (61340)	197800 (57970)	186500 (54660)	175100 (51320)				
	15 (-9.4)	207600 (60840)	197300 (57820)	187000 (54800)	176800 (51810)	166600 (48830)	156500 (45870)				
	10 (-12.2)	184800 (54160)	175600 (51460)	166500 (48800)	157400 (46130)	148400 (43490)	139400 (40850)				
	5 (-15.0)	163900 (48030)	155700 (45630)	147600 (43260)	139600 (40910)	131700 (38600)	123800 (36280)				
	0 (-17.8)	144700 (42410)	137500 (40300)	130400 (38220)	123400 (36160)	116500 (34140)	109600 (32120)				
KR3500M8 Compressor Model 6DHNR35ME	40 (4.4)	442800 (129770)	422200 (123730)	401400 (117640)	380400 (111480)	359100 (105240)	337500 (98910)				
	35 (1.7)	400000 (117230)	381400 (111780)	362500 (106240)	343500 (100670)	324300 (95040)	304800 (89330)				
	30 (-1.1)	360500 (105650)	343700 (100730)	326700 (95750)	309600 (90730)	292300 (85660)	274700 (80510)				
	25 (-3.9)	324200 (95010)	309100 (90590)	293800 (86100)	278400 (81590)	262900 (77050)	247100 (72420)				
	20 (-6.7)	291000 (85280)	277400 (81300)	263600 (77250)	249800 (73210)	235800 (69110)	221700 (64970)				
	15 (-9.4)	260500 (76340)	248300 (72770)	236000 (69160)	223600 (65530)	211100 (61870)	198400 (58150)				
	10 (-12.2)	232700 (68200)	221700 (64970)	210600 (61720)	199500 (58470)	188300 (55190)	177000 (51870)				
	5 (-15.0)	207300 (60750)	197400 (57850)	187400 (54920)	177400 (51990)	167400 (49060)	157300 (46100)				
	0 (-17.8)	184200 (53980)	175200 (51350)	166200 (48710)	157200 (46070)	148100 (43400)	139000 (40740)				
KR4000M8 Compressor Model 6DJNR40ME	40 (4.4)	505600 (148180)	482800 (141490)	460100 (134840)	437200 (128130)	414200 (121390)	390700 (114500)				
	35 (1.7)	460400 (134930)	439500 (128800)	418700 (122710)	397900 (116610)	376800 (110430)	355300 (104130)				
	30 (-1.1)	417900 (122470)	398900 (116910)	379900 (111340)	360900 (105770)	341700 (100140)	322200 (94430)				
	25 (-3.9)	378200 (110840)	360900 (105770)	343600 (100700)	326400 (95660)	309000 (90560)	291200 (85340)				
	20 (-6.7)	341100 (99970)	325400 (95360)	309800 (90790)	294200 (86220)	278400 (81590)	262400 (76900)				
	15 (-9.4)	306700 (89880)	292400 (85690)	278300 (81560)	264300 (77460)	250100 (73300)	235600 (69050)				
	10 (-12.2)	274700 (80510)	261900 (76760)	249200 (73030)	236600 (69340)	223800 (65590)	210800 (61780)				
	5 (-15.0)	245300 (71890)	233700 (68490)	222400 (65180)	211100 (61870)	199700 (58530)	188100 (55130)				
	0 (-17.8)	218400 (64010)	208000 (60960)	197800 (57970)	187700 (55010)	177500 (52020)	167200 (49000)				

LOW TEMPERATURE

Application Data calculated at 65°F Return Gas, 0°F Liquid Subcooling

MODEL KR	SATURATED SUCTION TEMPERATURE		CAPACITY BTU/H (WATTS) R404A R507 CONDENSING TEMPERATURE °F (°C)									
	° F	° C	100 (37.8)	105 (40.6)	110 (43.3)	115 (46.1)	120 (48.9)	125 (51.7)				
KR050L6 Compressor Model KANB-005E	0	(-17.8)	4020 (1180)	3740 (1100)	3470 (1020)	3200 (940)	2930 (860)	2650 (780)				
	-5	(-20.6)	3470 (1020)	3220 (940)	2990 (880)	2750 (810)	2500 (730)	2250 (660)				
	-10	(-23.3)	2960 (870)	2750 (810)	2540 (740)	2330 (680)	2110 (620)	1880 (550)				
	-15	(-26.1)	2500 (730)	2310 (680)	2130 (620)	1940 (570)	1740 (510)	1540 (450)				
	-20	(-28.9)	2080 (610)	1910 (560)	1750 (510)	1580 (460)	1410 (410)	1220 (360)				
	-25	(-31.7)	1700 (500)	1560 (460)	1410 (410)	1260 (370)	1100 (320)	920 (270)				
	-30	(-34.4)	1370 (400)	1240 (360)	1110 (330)	970 (280)	820 (240)	660 (190)				
	-35	(-37.2)	1080 (320)	960 (280)	840 (250)	710 (210)	570 (170)	410 (120)				
-40	(-40.0)	840 (250)	730 (210)	610 (180)	490 (140)	350 (100)	200 (60)					
KR075L6 Compressor Model KAMB-007E	0	(-17.8)	6270 (1840)	5940 (1740)	5610 (1640)	5280 (1550)	4940 (1450)	4570 (1340)				
	-5	(-20.6)	5520 (1620)	5230 (1530)	4940 (1450)	4640 (1360)	4320 (1270)	3980 (1170)				
	-10	(-23.3)	4810 (1410)	4550 (1330)	4280 (1250)	4010 (1180)	3720 (1090)	3400 (1000)				
	-15	(-26.1)	4140 (1210)	3910 (1150)	3670 (1080)	3420 (1000)	3150 (920)	2850 (840)				
	-20	(-28.9)	3530 (1030)	3320 (970)	3110 (910)	2880 (840)	2630 (770)	2340 (690)				
	-25	(-31.7)	2990 (880)	2800 (820)	2610 (760)	2390 (700)	2150 (630)	1880 (550)				
	-30	(-34.4)	2530 (740)	2360 (690)	2180 (640)	1970 (580)	1740 (510)	1480 (430)				
	-35	(-37.2)	2160 (630)	2000 (590)	1830 (540)	1640 (480)	1410 (410)	1150 (340)				
-40	(-40.0)	1900 (560)	1750 (510)	1580 (460)	1390 (410)	1170 (340)	900 (260)					
KR100L6 Compressor Model KAJB-010E	0	(-17.8)	8070 (2370)	7590 (2220)	7110 (2080)	6630 (1940)	6150 (1800)	5670 (1660)				
	-5	(-20.6)	7070 (2070)	6640 (1950)	6210 (1820)	5790 (1700)	5360 (1570)	4940 (1450)				
	-10	(-23.3)	6160 (1810)	5780 (1690)	5410 (1590)	5030 (1470)	4650 (1360)	4270 (1250)				
	-15	(-26.1)	5350 (1570)	5010 (1470)	4680 (1370)	4350 (1270)	4010 (1180)	3670 (1080)				
	-20	(-28.9)	4610 (1350)	4320 (1270)	4030 (1180)	3730 (1090)	3430 (1010)	3120 (910)				
	-25	(-31.7)	3950 (1160)	3690 (1080)	3430 (1010)	3160 (930)	2900 (850)	2620 (770)				
	-30	(-34.4)	3350 (980)	3120 (910)	2880 (840)	2640 (770)	2400 (700)	2140 (630)				
	-35	(-37.2)	2800 (820)	2590 (760)	2380 (700)	2160 (630)	1930 (570)	1690 (500)				
-40	(-40.0)	2300 (670)	2100 (620)	1900 (560)	1690 (500)	1480 (430)	1250 (370)					
KR150L6 Compressor Model KALB-015E	0	(-17.8)	11700 (3430)	11000 (3220)	10300 (3020)	9640 (2830)	8970 (2630)	8310 (2440)				
	-5	(-20.6)	10300 (3020)	9690 (2840)	9090 (2660)	8500 (2490)	7900 (2320)	7300 (2140)				
	-10	(-23.3)	9030 (2650)	8520 (2500)	7990 (2340)	7460 (2190)	6930 (2030)	6380 (1870)				
	-15	(-26.1)	7920 (2320)	7460 (2190)	6990 (2050)	6510 (1910)	6020 (1760)	5530 (1620)				
	-20	(-28.9)	6900 (2020)	6490 (1900)	6070 (1780)	5630 (1650)	5170 (1520)	4700 (1380)				
	-25	(-31.7)	5950 (1740)	5580 (1640)	5190 (1520)	4780 (1400)	4350 (1270)	3900 (1140)				
	-30	(-34.4)	5060 (1480)	4710 (1380)	4340 (1270)	3940 (1150)	3520 (1030)	3080 (900)				
	-35	(-37.2)	4190 (1230)	3860 (1130)	3490 (1020)	3100 (910)	2670 (780)	2230 (650)				
-40	(-40.0)	3330 (980)	2990 (880)	2620 (770)	2220 (650)	1780 (520)	1310 (380)					
KR200L6 Compressor Model EAVB-021E	0	(-17.8)	16500 (4840)	15500 (4540)	14600 (4280)	13600 (3990)	12600 (3690)	11700 (3430)				
	-5	(-20.6)	14400 (4220)	13500 (3960)	12700 (3720)	11800 (3460)	11000 (3220)	10100 (2960)				
	-10	(-23.3)	12500 (3660)	11700 (3430)	10900 (3190)	10100 (2960)	9390 (2750)	8690 (2550)				
	-15	(-26.1)	10700 (3140)	10000 (2930)	9260 (2710)	8600 (2520)	7970 (2340)	7370 (2160)				
	-20	(-28.9)	9010 (2640)	8380 (2460)	7780 (2280)	7210 (2110)	6680 (1960)	6180 (1810)				
	-25	(-31.7)	7520 (2200)	6970 (2040)	6450 (1890)	5970 (1750)	5530 (1620)	5140 (1510)				
	-30	(-34.4)	6200 (1820)	5730 (1680)	5290 (1550)	4900 (1440)	4550 (1330)	4250 (1250)				
	-35	(-37.2)	5070 (1490)	4670 (1370)	4310 (1260)	3990 (1170)	3730 (1090)	3530 (1030)				
-40	(-40.0)	4130 (1210)	3790 (1110)	3510 (1030)	3270 (960)	3090 (910)	2980 (870)					
KR300L6 Compressor Model LAHB-032E	0	(-17.8)	26600 (7800)	25100 (7360)	23600 (6920)	22000 (6450)	20500 (6010)	18900 (5540)				
	-5	(-20.6)	23300 (6830)	21900 (6420)	20500 (6010)	19100 (5600)	17600 (5160)	16200 (4750)				
	-10	(-23.3)	20100 (5890)	18900 (5540)	17600 (5160)	16300 (4780)	15000 (4400)	13600 (3990)				
	-15	(-26.1)	17300 (5070)	16100 (4720)	14900 (4370)	13800 (4040)	12500 (3660)	11300 (3310)				
	-20	(-28.9)	14600 (4280)	13600 (3990)	12500 (3660)	11400 (3340)	10300 (3020)	9140 (2680)				
	-25	(-31.7)	12200 (3580)	11200 (3280)	10300 (3020)	9300 (2730)	8280 (2430)	7210 (2110)				
	-30	(-34.4)	10000 (2930)	9130 (2680)	8290 (2430)	7400 (2170)	6480 (1900)	5490 (1610)				
	-35	(-37.2)	8000 (2340)	7280 (2130)	6530 (1910)	5740 (1680)	4900 (1440)	3990 (1170)				
-40	(-40.0)	6290 (1840)	5660 (1660)	5000 (1470)	4300 (1260)	3550 (1040)	2720 (800)					

LOW TEMPERATURE (cont'd)

Application Data calculated at 65°F Return Gas, 0°F Liquid Subcooling

MODEL KR	SATURATED SUCTION TEMPERATURE		CAPACITY BTU/H (WATTS) R404A R507									
	° F	° C	100 (37.8)	105 (40.6)	110 (43.3)	115 (46.1)	120 (48.9)	125 (51.7)				
KR350L6 Compressor Model 2DF3F16KE	0	(-17.8)	34700 (10170)	32800 (9610)	31000 (9090)	29200 (8560)	27500 (8060)	25700 (7530)				
	-5	(-20.6)	30500 (8940)	28900 (8470)	27300 (8000)	25700 (7530)	24200 (7090)	22700 (6650)				
	-10	(-23.3)	26700 (7820)	25300 (7410)	23900 (7000)	22500 (6590)	21200 (6210)	19800 (5800)				
	-15	(-26.1)	23300 (6830)	22000 (6450)	20800 (6100)	19600 (5740)	18400 (5390)	17100 (5010)				
	-20	(-28.9)	20100 (5890)	19000 (5570)	18000 (5280)	16900 (4950)	15800 (4630)	14600 (4280)				
	-25	(-31.7)	17300 (5070)	16300 (4780)	15400 (4510)	14400 (4220)	13400 (3930)	12300 (3600)				
	-30	(-34.4)	14800 (4340)	13900 (4070)	13000 (3810)	12100 (3550)	11100 (3250)	10100 (2960)				
	-35	(-37.2)	12500 (3660)	11600 (3400)	10800 (3170)	9900 (2900)	8900 (2610)	7900 (2320)				
	-40	(-40.0)	10400 (3050)	9600 (2810)	8700 (2550)	7800 (2290)	6900 (2020)	5900 (1730)				
KR400L6 Compressor Model 2DL3F20KE	0	(-17.8)	41200 (12070)	39200 (11490)	37100 (10870)	35100 (10290)	33000 (9670)	31000 (9090)				
	-5	(-20.6)	36400 (10670)	34600 (10140)	32800 (9610)	30900 (9060)	29100 (8530)	27300 (8000)				
	-10	(-23.3)	32000 (9380)	30400 (8910)	28800 (8440)	27100 (7940)	25500 (7470)	23900 (7000)				
	-15	(-26.1)	28000 (8210)	26600 (7800)	25100 (7360)	23700 (6950)	22200 (6510)	20700 (6070)				
	-20	(-28.9)	24400 (7150)	23100 (6770)	21800 (6390)	20500 (6010)	19200 (5630)	17800 (5220)				
	-25	(-31.7)	21100 (6180)	19900 (5830)	18700 (5480)	17600 (5160)	16400 (4810)	15200 (4450)				
	-30	(-34.4)	18000 (5280)	17000 (4980)	15900 (4660)	14900 (4370)	13800 (4040)	12700 (3720)				
	-35	(-37.2)	15300 (4480)	14300 (4190)	13400 (3930)	12400 (3630)	11400 (3340)	10500 (3080)				
	-40	(-40.0)	12800 (3750)	11900 (3490)	11000 (3220)	10100 (2960)	9200 (2700)	8300 (2430)				
KR600L6 Compressor Model 2DA3F23KE	0	(-17.8)	46600 (13660)	44300 (12980)	42100 (12340)	39800 (11660)	37600 (11020)	35400 (10370)				
	-5	(-20.6)	41300 (12100)	39300 (11520)	37300 (10930)	35300 (10350)	33300 (9760)	31300 (9170)				
	-10	(-23.3)	36500 (10700)	34700 (10170)	32900 (9640)	31100 (9110)	29300 (8590)	27500 (8060)				
	-15	(-26.1)	32100 (9410)	30500 (8940)	28900 (8470)	27300 (8000)	25700 (7530)	24100 (7060)				
	-20	(-28.9)	28100 (8240)	26600 (7800)	25200 (7390)	23800 (6980)	22300 (6540)	20900 (6130)				
	-25	(-31.7)	24400 (7150)	23100 (6770)	21800 (6390)	20500 (6010)	19300 (5660)	18000 (5280)				
	-30	(-34.4)	21000 (6150)	19900 (5830)	18700 (5480)	17500 (5130)	16400 (4810)	15200 (4450)				
	-35	(-37.2)	18000 (5280)	16900 (4950)	15800 (4630)	14700 (4310)	13600 (3990)	12500 (3660)				
	-40	(-40.0)	15100 (4430)	14100 (4130)	13100 (3840)	12100 (3550)	11000 (3220)	10000 (2930)				
KR610L6 Compressor Model 3DA3F28KE	0	(-17.8)	55600 (16290)	53100 (15560)	50600 (14830)	48200 (14130)	45700 (13390)	43200 (12660)				
	-5	(-20.6)	49300 (14450)	47100 (13800)	44900 (13160)	42700 (12510)	40500 (11870)	38300 (11220)				
	-10	(-23.3)	43500 (12750)	41600 (12190)	39700 (11630)	37800 (11080)	35800 (10490)	33700 (9880)				
	-15	(-26.1)	38300 (11220)	36600 (10730)	34900 (10230)	33100 (9700)	31300 (9170)	29500 (8650)				
	-20	(-28.9)	33500 (9820)	32000 (9380)	30500 (8940)	28900 (8470)	27300 (8000)	25500 (7470)				
	-25	(-31.7)	29100 (8530)	27800 (8150)	26400 (7740)	25000 (7330)	23400 (6860)	21800 (6390)				
	-30	(-34.4)	25200 (7390)	24000 (7030)	22700 (6650)	21400 (6270)	19900 (5830)	18300 (5360)				
	-35	(-37.2)	21700 (6360)	20500 (6010)	19300 (5660)	18000 (5280)	16600 (4860)	15000 (4400)				
	-40	(-40.0)	18500 (5420)	17400 (5100)	16200 (4750)	14900 (4370)	13500 (3960)	11900 (3490)				
KR750L6 Compressor Model 3DB3F33KE	0	(-17.8)	65600 (19230)	62700 (18380)	59800 (17530)	56900 (16680)	54000 (15830)	51200 (15010)				
	-5	(-20.6)	58100 (17030)	55600 (16290)	53000 (15530)	50500 (14800)	48000 (14070)	45500 (13330)				
	-10	(-23.3)	51300 (15030)	49100 (14390)	46900 (13740)	44700 (13100)	42500 (12460)	40300 (11810)				
	-15	(-26.1)	45200 (13250)	43200 (12660)	41300 (12100)	39300 (11520)	37400 (10960)	35400 (10370)				
	-20	(-28.9)	39600 (11610)	37900 (11110)	36200 (10610)	34500 (10110)	32700 (9580)	30900 (9060)				
	-25	(-31.7)	34600 (10140)	33100 (9700)	31500 (9230)	29900 (8760)	28300 (8290)	26700 (7820)				
	-30	(-34.4)	30000 (8790)	28600 (8380)	27200 (7970)	25700 (7530)	24200 (7090)	22700 (6650)				
	-35	(-37.2)	25800 (7560)	24500 (7180)	23200 (6800)	21800 (6390)	20300 (5950)	18800 (5510)				
	-40	(-40.0)	21900 (6420)	20600 (6040)	19300 (5660)	18000 (5280)	16500 (4840)	15000 (4400)				
KR900L6 Compressor Model 3DF3F40KE	0	(-17.8)	80300 (23530)	76900 (22540)	73400 (21510)	70000 (20510)	66600 (19520)	63100 (18490)				
	-5	(-20.6)	71200 (20870)	68100 (19960)	65100 (19080)	62100 (18200)	59000 (17290)	56000 (16410)				
	-10	(-23.3)	62900 (18430)	60200 (17640)	57500 (16850)	54800 (16060)	52100 (15270)	49400 (14480)				
	-15	(-26.1)	55300 (16210)	52900 (15500)	50500 (14800)	48200 (14130)	45800 (13420)	43300 (12690)				
	-20	(-28.9)	48400 (14180)	46300 (13570)	44200 (12950)	42100 (12340)	39900 (11690)	37800 (11080)				
	-25	(-31.7)	42100 (12340)	40200 (11780)	38400 (11250)	36500 (10700)	34500 (10110)	32600 (9550)				
	-30	(-34.4)	36400 (10670)	34700 (10170)	33000 (9670)	31300 (9170)	29600 (8670)	27800 (8150)				
	-35	(-37.2)	31300 (9170)	29700 (8700)	28200 (8260)	26600 (7800)	25000 (7330)	23300 (6830)				
	-40	(-40.0)	26600 (7800)	25200 (7390)	23700 (6950)	22200 (6510)	20700 (6070)	19100 (5600)				

table continues on next page >>>

LOW TEMPERATURE (cont'd)

Application Data calculated at 65°F Return Gas, 0°F Liquid Subcooling

MODEL KR	SATURATED SUCTION TEMPERATURE °F °C	CAPACITY BTU/H (WATTS) R404A R507 CONDENSING TEMPERATURE °F (°C)									
		100 (37.8)	105 (40.6)	110 (43.3)	115 (46.1)	120 (48.9)	125 (51.7)				
KR1000L6 Compressor Model 3DS3F46KE	0 (-17.8)	89000 (26080)	85200 (24970)	81300 (23830)	77400 (22680)	73400 (21510)	69600 (20400)				
	-5 (-20.6)	79400 (23270)	76000 (22270)	72500 (21250)	69000 (20220)	65500 (19200)	62000 (18170)				
	-10 (-23.3)	70600 (20690)	67500 (19780)	64400 (18870)	61300 (17970)	58100 (17030)	55000 (16120)				
	-15 (-26.1)	62400 (18290)	59600 (17470)	56800 (16650)	54000 (15830)	51200 (15010)	48400 (14180)				
	-20 (-28.9)	54800 (16060)	52400 (15360)	49900 (14620)	47300 (13860)	44800 (13130)	42300 (12400)				
	-25 (-31.7)	47900 (14040)	45700 (13390)	43400 (12720)	41100 (12050)	38800 (11370)	36600 (10730)				
	-30 (-34.4)	41500 (12160)	39500 (11580)	37400 (10960)	35400 (10370)	33300 (9760)	31200 (9140)				
	-35 (-37.2)	35700 (10460)	33900 (9940)	32000 (9380)	30000 (8790)	28100 (8240)	26200 (7680)				
-40 (-40.0)	30400 (8910)	28700 (8410)	26900 (7880)	25100 (7360)	23300 (6830)	21500 (6300)					
KR1500L6 Compressor Model 4DHN63KE	0 (-17.8)	121700 (35670)	115700 (33910)	109900 (32210)	104300 (30570)	98900 (28980)	93800 (27490)				
	-5 (-20.6)	108500 (31800)	103000 (30190)	97800 (28660)	92700 (27170)	87900 (25760)	83300 (24410)				
	-10 (-23.3)	96500 (28280)	91500 (26820)	86700 (25410)	82200 (24090)	77800 (22800)	73700 (21600)				
	-15 (-26.1)	85500 (25060)	81000 (23740)	76700 (22480)	72600 (21280)	68700 (20130)	65000 (19050)				
	-20 (-28.9)	75500 (22130)	71400 (20930)	67400 (19750)	63700 (18670)	60200 (17640)	56900 (16680)				
	-25 (-31.7)	66100 (19370)	62400 (18290)	58800 (17230)	55500 (16270)	52300 (15330)	49400 (14480)				
	-30 (-34.4)	57300 (16790)	53900 (15800)	50700 (14860)	47700 (13980)	44800 (13130)	42200 (12370)				
	-35 (-37.2)	49000 (14360)	45900 (13450)	42900 (12570)	40200 (11780)	37600 (11020)	35300 (10350)				
-40 (-40.0)	40800 (11960)	38000 (11140)	35300 (10350)	32800 (9610)	30500 (8940)	28400 (8320)					
KR2000L6 Compressor Model 4DJNF76KE	0 (-17.8)	145400 (42610)	138000 (40440)	130900 (38360)	124100 (36370)	117700 (34490)	111600 (32710)				
	-5 (-20.6)	130100 (38130)	123500 (36190)	117200 (34350)	111200 (32590)	105400 (30890)	99800 (29250)				
	-10 (-23.3)	116100 (34030)	110200 (32300)	104600 (30660)	99200 (29070)	93900 (27520)	88800 (26020)				
	-15 (-26.1)	103100 (30220)	97900 (28690)	92800 (27200)	87900 (25760)	83100 (24350)	78400 (22980)				
	-20 (-28.9)	91000 (26670)	86400 (25320)	81800 (23970)	77400 (22680)	72900 (21360)	68500 (20080)				
	-25 (-31.7)	79700 (23360)	75600 (22160)	71500 (20950)	67300 (19720)	63100 (18490)	58900 (17260)				
	-30 (-34.4)	69200 (20280)	65400 (19170)	61600 (18050)	57700 (16910)	53700 (15740)	49500 (14510)				
	-35 (-37.2)	59200 (17350)	55700 (16320)	52100 (15270)	48300 (14160)	44400 (13010)	40200 (11780)				
-40 (-40.0)	49600 (14540)	46300 (13570)	42800 (12540)	39100 (11460)	35100 (10290)	30800 (9030)					
KR2500L6 Compressor Model 6DHN93KE	0 (-17.8)	184900 (54190)	176200 (51640)	167700 (49150)	159400 (46720)	151200 (44310)	143100 (41940)				
	-5 (-20.6)	165100 (48390)	157400 (46130)	149800 (43900)	142300 (41700)	135000 (39560)	127600 (37400)				
	-10 (-23.3)	146500 (42930)	139600 (40910)	132800 (38920)	126100 (36960)	119400 (34990)	112700 (33030)				
	-15 (-26.1)	129100 (37840)	122900 (36020)	116800 (34230)	110700 (32440)	104600 (30660)	98500 (28870)				
	-20 (-28.9)	112800 (33060)	107200 (31420)	101700 (29810)	96200 (28190)	90700 (26580)	85000 (24910)				
	-25 (-31.7)	97800 (28660)	92700 (27170)	87700 (25700)	82600 (24210)	77500 (22710)	72200 (21160)				
	-30 (-34.4)	84000 (24620)	79400 (23270)	74700 (21890)	70100 (20540)	65200 (19110)	60300 (17670)				
	-35 (-37.2)	71500 (20950)	67200 (19690)	62900 (18430)	58500 (17140)	53900 (15800)	49100 (14390)				
-40 (-40.0)	60400 (17700)	56300 (16500)	52200 (15300)	47900 (14040)	43400 (12720)	38700 (11340)					
KR3000L6 Compressor Model 6DJNF11ME	0 (-17.8)	208300 (61050)	198200 (58090)	188100 (55130)	178200 (52230)	168300 (49320)	158600 (46480)				
	-5 (-20.6)	185100 (54250)	176200 (51640)	167300 (49030)	158400 (46420)	149700 (43870)	141100 (41350)				
	-10 (-23.3)	163800 (48000)	155900 (45690)	148100 (43400)	140200 (41090)	132500 (38830)	124800 (36580)				
	-15 (-26.1)	144300 (42290)	137300 (40240)	130400 (38220)	123400 (36160)	116500 (34140)	109600 (32120)				
	-20 (-28.9)	126500 (37070)	120300 (35260)	114100 (33440)	107800 (31590)	101600 (29780)	95500 (27990)				
	-25 (-31.7)	110200 (32300)	104600 (30660)	99000 (29010)	93400 (27370)	87800 (25730)	82200 (24090)				
	-30 (-34.4)	95300 (27930)	90300 (26460)	85200 (24970)	80000 (23450)	74800 (21920)	69600 (20400)				
	-35 (-37.2)	81700 (23940)	77100 (22600)	72300 (21190)	67400 (19750)	62600 (18350)	57700 (16910)				
-40 (-40.0)	69300 (20310)	64900 (19020)	60300 (17670)	55700 (16320)	50900 (14920)	46200 (13540)					

HIGH / MEDIUM TEMPERATURE

Application Data calculated at 65°F Return Gas, 0°F Liquid Subcooling

Table with columns: MODEL, SATURATED SUCTION TEMPERATURE (°F, °C), CAPACITY BTU/H (WATTS) R22, and CONDENSING TEMPERATURE °F (°C). Rows include models KR300M8, KR500M8, KR510M8, KR750M8, KR760M8, KR1000M8, KR1500M8, and KR2500M8.

table continues on next page >>>

HIGH / MEDIUM TEMPERATURE (cont'd)

Application Data calculated at 65°F Return Gas, 0°F Liquid Subcooling

MODEL KR	SATURATED SUCTION TEMP.		CAPACITY BTU/H (WATTS) R22 CONDENSING TEMPERATURE °F (°C)									
	°F	°C	100 (37.8)	105 (40.6)	110 (43.3)	115 (46.1)	120 (48.9)	125 (51.7)				
KR3000M8 Compressor Model 4DJNR28ME	45 (7.2)		363800 (106620)	352800 (103400)	341800 (100170)	330700 (96920)	319500 (93640)	308000 (90270)				
	40 (4.4)		330800 (96950)	320500 (93930)	310300 (90940)	300000 (87920)	289500 (84840)	278800 (81710)				
	35 (1.7)		299400 (87750)	289900 (84960)	280500 (82210)	270900 (79390)	261300 (76580)	251400 (73680)				
	30 (-1.1)		269800 (79070)	261100 (76520)	252400 (73970)	243600 (71390)	234700 (68780)	225600 (66120)				
	25 (-3.9)		242000 (70920)	234000 (68580)	226000 (66230)	218100 (63920)	209900 (61520)	201600 (59080)				
	20 (-6.7)		216000 (63300)	208700 (61160)	201500 (59050)	194300 (56940)	186900 (54770)	179300 (52550)				
	15 (-9.4)		191800 (56210)	185300 (54310)	178800 (52400)	172300 (50500)	165800 (48590)	158900 (46570)				
10 (-12.2)		169500 (49680)	163700 (47980)	158000 (46310)	152300 (44630)	146400 (42910)	140400 (41150)					
KR3500M8 Compressor Model 6DHNR35ME	45 (7.2)		446900 (130970)	431700 (126520)	416700 (122120)	401800 (117760)	387200 (113480)	372700 (109230)				
	40 (4.4)		404000 (118400)	390400 (114410)	376800 (110430)	363400 (106500)	350200 (102630)	337100 (98790)				
	35 (1.7)		364500 (106820)	352300 (103250)	340200 (99700)	328100 (96160)	316200 (92670)	304400 (89210)				
	30 (-1.1)		328200 (96190)	317300 (92990)	306400 (89800)	295700 (86660)	285000 (83520)	274400 (80420)				
	25 (-3.9)		295000 (86460)	285200 (83580)	275500 (80740)	265900 (77930)	256300 (75110)	246900 (72360)				
	20 (-6.7)		264500 (77520)	255900 (75000)	247200 (72450)	238600 (69930)	230100 (67440)	221600 (64940)				
	15 (-9.4)		236700 (69370)	229000 (67110)	221400 (64890)	213700 (62630)	206100 (60400)	198500 (58170)				
10 (-12.2)		211300 (61930)	204600 (59960)	197700 (57940)	190900 (55950)	184100 (53950)	177300 (51960)					
KR4000M8 Compressor Model 6DJNR40ME	45 (7.2)		531800 (155850)	514600 (150810)	497700 (145860)	480800 (140910)	464000 (135980)	447200 (131060)				
	40 (4.4)		483900 (141820)	468300 (137240)	452800 (132700)	437500 (128220)	422200 (123730)	406900 (119250)				
	35 (1.7)		439000 (128660)	424800 (124500)	410800 (120390)	396900 (116320)	383100 (112280)	369200 (108200)				
	30 (-1.1)		397000 (116350)	384200 (112600)	371600 (108900)	359100 (105240)	346600 (101580)	334100 (97910)				
	25 (-3.9)		357800 (104860)	346300 (101490)	335000 (98180)	323800 (94900)	312600 (91610)	301400 (88330)				
	20 (-6.7)		321400 (94190)	311100 (91170)	301000 (88210)	291000 (85280)	281000 (82350)	271000 (79420)				
	15 (-9.4)		287600 (84290)	278500 (81620)	269500 (78980)	260600 (76370)	251800 (73800)	242900 (71190)				
10 (-12.2)		256400 (75140)	248300 (72770)	240400 (70450)	232600 (68170)	224800 (65880)	216900 (63570)					

**CAPACITY DATA - R22
MEDIUM TEMPERATURE**

Application Data calculated at 65°F Return Gas, 0°F Liquid Subcooling

MODEL KR	SATURATED SUCTION TEMPERATURE		CAPACITY BTU/H (WATTS) R22 CONDENSING TEMPERATURE °F (°C)									
	°F	°C	100 (37.8)	105 (40.6)	110 (43.3)	115 (46.1)	120 (48.9)	125 (51.7)				
KR075M2 Compressor Model KAN2-0075	45 (7.2)		11350 (3330)	10930 (3200)	10520 (3080)	10110 (2960)	9690 (2840)	9260 (2710)				
	40 (4.4)		10120 (2970)	9750 (2860)	9380 (2750)	9010 (2640)	8630 (2530)	8250 (2420)				
	35 (1.7)		9000 (2640)	8660 (2540)	8320 (2440)	7990 (2340)	7650 (2240)	7310 (2140)				
	30 (-1.1)		7970 (2340)	7660 (2240)	7350 (2150)	7050 (2070)	6750 (1980)	6440 (1890)				
	25 (-3.9)		7020 (2060)	6740 (1980)	6460 (1890)	6190 (1810)	5910 (1730)	5640 (1650)				
	20 (-6.7)		6150 (1800)	5890 (1730)	5640 (1650)	5390 (1580)	5140 (1510)	4890 (1430)				
	15 (-9.4)		5360 (1570)	5120 (1500)	4880 (1430)	4650 (1360)	4420 (1300)	4190 (1230)				
10 (-12.2)		4630 (1360)	4400 (1290)	4180 (1230)	3970 (1160)	3760 (1100)	3540 (1040)					
KR100M2 Compressor Model KAR2-0100	45 (7.2)		15480 (4540)	14900 (4370)	14330 (4200)	13750 (4030)	13180 (3860)	12600 (3690)				
	40 (4.4)		13940 (4090)	13410 (3930)	12890 (3780)	12360 (3620)	11840 (3470)	11320 (3320)				
	35 (1.7)		12510 (3670)	12030 (3530)	11550 (3380)	11080 (3250)	10610 (3110)	10130 (2970)				
	30 (-1.1)		11190 (3280)	10760 (3150)	10330 (3030)	9900 (2900)	9470 (2780)	9040 (2650)				
	25 (-3.9)		9980 (2920)	9590 (2810)	9200 (2700)	8810 (2580)	8430 (2470)	8050 (2360)				
	20 (-6.7)		8870 (2600)	8520 (2500)	8170 (2390)	7820 (2290)	7480 (2190)	7140 (2090)				
	15 (-9.4)		7850 (2300)	7540 (2210)	7230 (2120)	6920 (2030)	6610 (1940)	6310 (1850)				
10 (-12.2)		6930 (2030)	6650 (1950)	6370 (1870)	6100 (1790)	5830 (1710)	5570 (1630)					
KR150M2 Compressor Model KAGB-0150	45 (7.2)		18200 (5330)	17600 (5160)	17000 (4980)	16400 (4810)	15800 (4630)	15200 (4450)				
	40 (4.4)		16400 (4810)	15800 (4630)	15300 (4480)	14700 (4310)	14200 (4160)	13600 (3990)				
	35 (1.7)		14700 (4310)	14200 (4160)	13700 (4020)	13200 (3870)	12700 (3720)	12200 (3580)				
	30 (-1.1)		13200 (3870)	12700 (3720)	12200 (3580)	11800 (3460)	11300 (3310)	10800 (3170)				
	25 (-3.9)		11700 (3430)	11300 (3310)	10900 (3190)	10400 (3050)	10000 (2930)	9600 (2810)				
	20 (-6.7)		10400 (3050)	10000 (2930)	9600 (2810)	9200 (2700)	8800 (2580)	8400 (2460)				
	15 (-9.4)		9100 (2670)	8800 (2580)	8400 (2460)	8100 (2370)	7700 (2260)	7400 (2170)				
10 (-12.2)		8000 (2340)	7700 (2260)	7300 (2140)	7000 (2050)	6700 (1960)	6400 (1880)					
KR200M2 Compressor Model ERA2-0200	45 (7.2)		29000 (8500)	27600 (8090)	26100 (7650)	24600 (7210)	23100 (6770)	21600 (6330)				
	40 (4.4)		25600 (7500)	24200 (7090)	22900 (6710)	21500 (6300)	20200 (5920)	18800 (5510)				
	35 (1.7)		22400 (6560)	21100 (6180)	19900 (5830)	18700 (5480)	17500 (5130)	16300 (4780)				
	30 (-1.1)		19400 (5690)	18200 (5330)	17000 (4980)	15900 (4660)	14900 (4370)	13900 (4070)				
	25 (-3.9)		16500 (4840)	15400 (4510)	14400 (4220)	13400 (3930)	12400 (3630)	11600 (3400)				
	20 (-6.7)		13800 (4040)	12800 (3750)	11800 (3460)	10900 (3190)	10100 (2960)	9400 (2750)				
	15 (-9.4)		11200 (3280)	10200 (2990)	9300 (2730)	8500 (2490)	7800 (2290)	7200 (2110)				
10 (-12.2)		8700 (2550)	7700 (2260)	6900 (2020)	6200 (1820)	5600 (1640)	5100 (1490)					

MODEL KR	COMPRESSOR MODEL NO.	POWER SUPPLY	COMPRESSOR		COOLING FAN	UNIT		
			RLA	LRA	FLA	MCA	MOP	
KR075M2-	IS2A	KAN2-0075-CAV	208-230/1/60	6.1	36	0.85	7.6	15
	IT3A	KAN1-0075-TAC	208-230/3/60	3.5	19.9	0.44	4.4	15
KR100M2-	IS2A	KAR2-0100-CAV	208-230/1/60	7.4	40	0.85	9.3	15
	IT3A	KAR1-0100-TAC	208-230/3/60	4.3	27	0.85	5.4	15
	IT4A	KAR1-0100-TAD	460/3/60	2.2	13.5	0.44	2.8	15
KR150M2-	IS2A	KAGB-0150-CAV	208-230/1/60	9.6	55	0.85	12.0	20
	IT3A	KAGA-0150-TAC	208-230/3/60	5.5	35.5	0.85	6.9	15
	IT4A	KAGA-0150-TAD	460/3/60	2.5	18.2	0.44	3.1	15
KR200M2-	IS3A	ERA2-0200-CAB	230/1/60	10.4	58	0.85	13.0	20
	IT3A	ERA1-0200-TAC	208-230/3/60	6.6	46	0.85	8.3	15
	IT4A	ERA1-0200-TAD	460/3/60	3.5	23	0.44	4.4	15
	IT5A	ERA1-0200-TAE	575/3/60	3.5	20	0.85	4.4	15
KR100M6-	IS2A	KARB-010E-CAV	208-230/1/60	7.4	40.0	0.85	9.3	15
	IT3A	KARA-010E-TAC	208-230/3/60	4.3	27	0.85	5.4	15
KR200M6-	IS2A	KAKB-021E-CAV	208-230/1/60	10.6	55	0.85	13.3	20
	IT3A	KAKA-020E-TAC	208-230/3/60	6.8	50	0.85	8.5	15
KR210M6-	IT3A	ERCA-021E-TAC	208-230/3/60	8.8	46	0.85	11.0	15
	IT4A	ERCA-020E-TAD	460/3/60	3.5	23	0.44	4.4	15
	IT5A	ERCA-021E-TAE	575/3/60	3.1	20	0.85	3.9	15
KR300M8-	IS3A	ERFB-031E-CAB	230/1/60	17	86	-	21.3	35
	IT3A	ERFA-031E-TAC	208-230/3/60	12.4	82	-	15.5	25
	IT4A	ERFA-031E-TAD	460/3/60	5.8	41	-	7.3	15
	IT5A	ERFA-031E-TAE	575/3/60	5.2	30	-	6.5	15
KR500M8-	IT3A	2DC3R53KE-TFC	208-230/3/60	22.3	120	-	27.9	50
	IT4A	2DC3R53KE-TFD	460/3/60	10.4	60	-	13.0	20
	IT5A	2DC3R53KE-TFE	575/3/60	7.7	49	-	9.6	15
KR510M8-	IT3A	2DD3R63KE-TFC	208-230/3/60	22.3	120	-	27.9	50
	IT4A	2DD3R63KE-TFD	460/3/60	10.5	60	-	13.1	20
	IT5A	2DD3R63KE-TFE	575/3/60	7.9	49	-	9.9	15
KR750M8-	IT3A	2DL3R78KE-TFC	208-230/3/60	31.6	169	-	39.5	70
	IT4A	2DL3R78KE-TFD	460/3/60	13.8	85	-	17.3	30
	IT5A	2DL3R78KE-TFE	575/3/60	13.2	67	-	16.5	25
KR760M8-	IT3A	3DA3R10ME-TFC	208-230/3/60	41	215	-	51.3	90
	IT4A	3DA3R10ME-TFD	460/3/60	20	106	-	25.0	45
	IT5A	3DA3R10ME-TFE	575/3/60	16.4	84	-	20.5	35
KR1000M8-	IT3A	3DB3R12ME-TFC	208-230/3/60	43.6	215	-	54.5	90
	IT4A	3DB3R12ME-TFD	460/3/60	20	106	-	25.0	45
	IT5A	3DB3R12ME-TFE	575/3/60	16.5	84	-	20.6	35
KR1500M8-	IT3A	3DS3R17ME-TFC	208-230/3/60	59.6	275	-	74.5	125
	IT4A	3DS3R17ME-TFD	460/3/60	29	138	-	36.3	60
	IT5A	3DS3R17ME-TFE	575/3/60	23.6	110	-	29.5	50
KR2500M8-	IT3A	4DHNR22ME-TSK	208-230/3/60	82.1	428	-	102.6	175
	IT4A	4DHNR22ME-TSK	460/3/60	41.1	214	-	51.4	90
	IT5A	4DHNR22ME-TSE	575/3/60	34.4	172	-	43.0	70
KR3000M8-	IT3A	4DJNR28ME-TSK	208-230/3/60	105.4	470	-	131.8	225
	IT4A	4DJNR28ME-TSK	460/3/60	52.7	235	-	65.9	100
	IT5A	4DJNR28ME-TSE	575/3/60	44.1	200	-	55.1	90
KR3500M8-	IT3A	6DHNR35ME-TSK	208-230/3/60	125.1	565	-	156.4	250
	IT4A	6DHNR35ME-TSK	460/3/60	62.6	283	-	78.3	125
	IT5A	6DHNR35ME-TSE	575/3/60	43.1	230	-	53.9	90
KR4000M8-	IT3A	6DJNR40ME-TSN	230/3/60	142.9	594	-	178.6	300
	IT4A	6DJNR40ME-TSN	460/3/60	71.4	297	-	89.3	150
	IT5A	6DJNR40ME-TSE	575/3/60	53.5	245	-	66.9	110

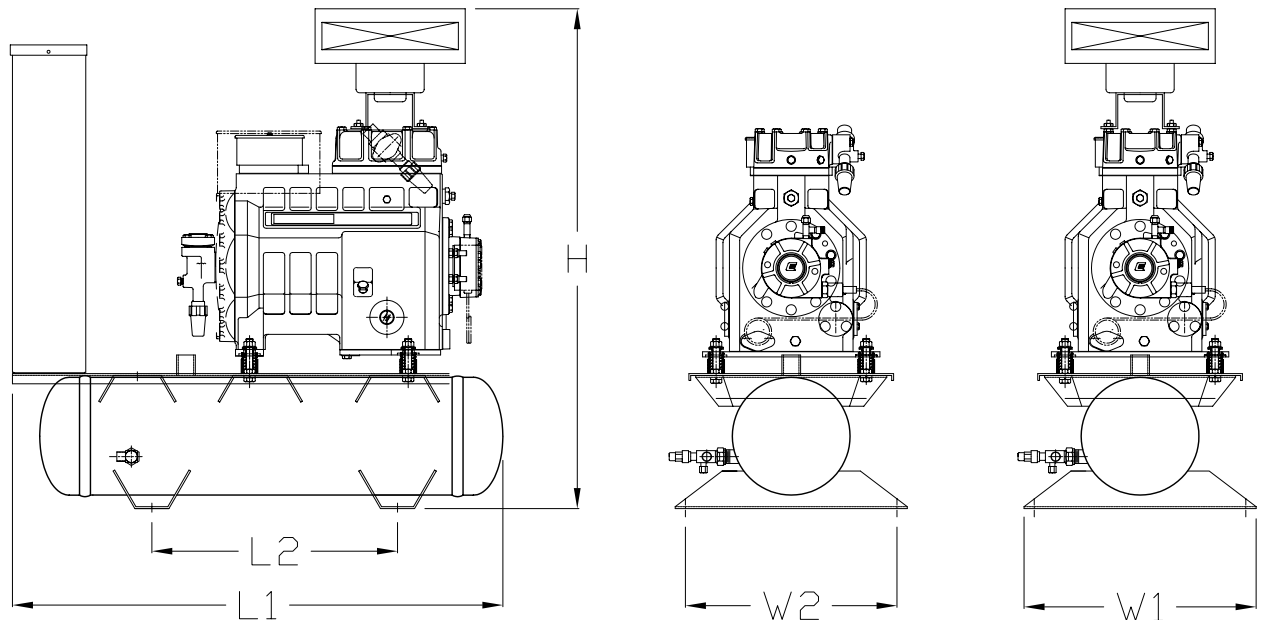
Above listed RLA value is based on UL rating method and may differ from published compressor RLA data.

table continues on next page >>>

MODEL KR	COMPRESSOR MODEL NO.	POWER SUPPLY	COMPRESSOR		COOLING FAN	UNIT		
			RLA	LRA	FLA	MCA	MOP	
KR050L 6/8 -	IS2A	KANB-005E-CAV	208-230/1/60	3.6	24	0.85	5.4	15
	IT3A	KANA-006E-TAC	208-230/3/60	2.2	13.2	0.85	3.6	15
KR075L 6/8 -	IS2A	KAMB-007E-CAV	208-230/1/60	5.6	36	0.85	7.9	15
	IT3A	KAMA-007E-TAC	208-230/3/60	3.2	19.9	0.85	4.9	15
KR100L 6/8 -	IS2A	KAJB-010E-CAV	208-230/1/60	6.9	40	0.85	9.5	15
	IT3A	KAJA-011E-TAC	208-230/3/60	4.6	27	0.85	6.6	15
	IT4A	KAJA-011E-TAD	460/3/60	2.1	15	0.44	3.1	15
KR150L 6/8 -	IS2A	KALB-015E-CAV	208-230/1/60	9.9	55	0.85	13.2	20
	IT3A	KALA-016E-TAC	208-230/3/60	6.6	50	0.85	9.1	15
	IT4A	KALA-016E-TAD	460/3/60	3.4	25	0.44	4.7	15
KR200L 6/8 -	IS2A	EAVB-021E-CAV	208-230/1/60	14.7	102	0.85	19.2	30
	IT3A	EAVA-021E-TAC	208-230/3/60	7.4	50	0.85	10.1	15
	IT4A	EAVA-021E-TAD	460/3/60	3.9	26.6	0.44	5.3	15
	IT5A	EAVA-021E-TAE	575/3/60	3.1	20	0.85	4.7	15
KR300L 6/8 -	IS3A	LAHB-032E-CAB	230/1/60	16.7	105	0.85	21.7	35
	IT3A	LAHA-032E-TAC	208-230/3/60	12.8	112	0.85	16.9	25
	IT4A	LAHA-032E-TAD	460/3/60	6	56	0.44	7.9	15
	IT5A	LAHA-032E-TAE	575/3/60	4.1	30	0.85	6.0	15
KR350L 6/8 -	IS3A	2DF3F16KE-CFB	230/1/60	25.8	125	0.85	33.1	50
	IT3A	2DF3F16KE-TFC	208-230/3/60	16.8	102	0.85	21.9	35
	IT4A	2DF3F16KE-TFD	460/3/60	8.1	52	0.44	10.6	15
	IT5A	2DF3F16KE-TFE	575/3/60	6.7	41	0.85	9.2	15
KR400L 6/8 -	IT3A	2DL3F20KE-TFC	208-230/3/60	26.3	161	0.85	33.7	50
	IT4A	2DL3F20KE-TFD	460/3/60	10.2	60	0.44	13.2	20
	IT5A	2DL3F20KE-TFE	575/3/60	7.7	49	0.85	10.5	15
KR600L 6/8 -	IT3A	2DA3F23KE-TFC	208-230/3/60	28.8	161	0.85	36.9	60
	IT4A	2DA3F23KE-TFD	460/3/60	10.2	60	0.44	13.2	20
	IT5A	2DA3F23KE-TFE	575/3/60	9.1	49	0.85	12.2	20
KR610L 6/8 -	IT3A	3DA3F28KE-TFC	208-230/3/60	30.3	150	0.85	38.7	60
	IT4A	3DA3F28KE-TFD	460/3/60	13.7	77	0.44	17.6	30
	IT5A	3DA3F28KE-TFE	575/3/60	10.5	62	0.85	14.0	20
KR750L 6/8 -	IT3A	3DB3F33KE-TFC	208-230/3/60	31.4	161	0.85	40.1	70
	IT4A	3DB3F33KE-TFD	460/3/60	16.1	83	0.44	20.6	35
	IT5A	3DB3F33KE-TFE	575/3/60	11	67	0.85	14.6	25
KR900L 6/8 -	IT3A	3DF3F40KE-TFC	208-230/3/60	39	215	0.85	49.6	80
	IT4A	3DF3F40KE-TFD	460/3/60	16.9	106	0.44	21.6	35
	IT5A	3DF3F40KE-TFE	575/3/60	16.5	84	0.85	21.5	35
KR1000L 6/8 -	IT3A	3DS3F46KE-TFC	208-230/3/60	41.4	215	0.85	52.6	90
	IT4A	3DS3F46KE-TFD	460/3/60	18.6	106	0.44	23.7	40
	IT5A	3DS3F46KE-TFE	575/3/60	16.2	84	0.85	21.1	35
KR1500L 6/8 -	IT3A	4DHNf63KE-TSK	208-230/3/60	52.6	278	0.85	66.6	110
	IT4A	4DHNf63KE-TSK	460/3/60	26.3	139	0.44	33.3	50
	IT5A	4DHNf63KE-TSE	575/3/60	20.9	113	0.85	27.0	45
KR2000L 6/8 -	IT3A	4DJNF76KE-TSK	208-230/3/60	64.3	374	0.85	81.2	125
	IT4A	4DJNF76KE-TSK	460/3/60	32.1	187	0.44	40.6	70
	IT5A	4DJNF76KE-TSE	575/3/60	29.1	135	0.85	37.2	60
KR2500L 6/8 -	IT3A	6DHNf93KE-TSK	208-230/3/60	80.7	450	0.85	101.7	175
	IT4A	6DHNf93KE-TSK	460/3/60	40.4	225	0.44	50.9	90
	IT5A	6DHNf93KE-TSE	575/3/60	32.5	172	0.85	41.5	70
KR3000L 6/8 -	IT3A	6DJNF11ME-TSK	208-230/3/60	95.6	470	0.85	120.4	200
	IT4A	6DJNF11ME-TSK	460/3/60	47.8	235	0.44	60.2	100
	IT5A	6DJNF11ME-TSE	575/3/60	39.6	200	0.85	50.4	80

Above listed RLA value is based on UL rating method and may differ from published compressor RLA data.

MODEL KR	OVERALL						BASE MTG. CENTERS			
	L1		W2		H		L2		W2	
	Inches	mm	Inches	mm	Inches	mm	Inches	mm	Inches	mm
KR075M2	24	610	30	762	18 1/4	464	12	305	13	330
KR100M2	24	610	30	762	18 1/4	464	12	305	13	330
KR150M2	24	610	30	762	18 1/4	464	12	305	13	330
KR200M2	24	610	23	584	21	533	12	305	13	330
KR100M6	24	610	31	787	18 1/4	464	12	305	13	330
KR200M6	24	610	23	584	21	533	12	305	13	330
KR210M6	24	610	23	584	21	533	12	305	13	330
KR300M8	24	610	23	584	23	584	12	305	13	330
KR500M8	30	762	23	584	28	711	12	305	13	330
KR510M8	30	762	23	584	28	711	12	305	13	330
KR750M8	32	813	23	584	30 1/4	768	15	381	13	330
KR760M8	32	813	23	584	30 1/2	775	15	381	13	330
KR1000M8	43	1092	25	635	31	787	24	610	15 1/2	394
KR1500M8	43	1092	25	635	31	787	24	610	15 1/2	394
KR2000M8	41	1041	28	711	31 3/4	806	24	610	15 1/2	394
KR2500M8	41	1041	29	737	33 1/4	845	24	610	15 1/2	394
KR3000M8	51	1295	29	737	33 3/4	857	24	610	15 1/2	394
KR3500M8	51	1295	31	787	33	838	24	610	15 1/2	394
KR4000M8	51	1295	35	889	35 1/4	895	24	610	15 1/2	394
KR050L 6/8	24	610	14 1/2	368	18 1/4	464	12	305	13	330
KR075L 6/8	24	610	20	508	18 1/4	464	12	305	13	330
KR100L 6/8	24	610	20	508	18 1/4	464	12	305	13	330
KR150L 6/8	24	610	20	508	18 1/4	464	12	305	13	330
KR200L 6/8	24	610	14 1/2	368	16 1/2	419	12	305	13	330
KR300L 6/8	24	610	17	432	24	610	12	305	13	330
KR350L 6/8	30	762	17	432	35 1/2	902	12	305	13	330
KR400L 6/8	30	762	17	432	35 1/2	902	12	305	13	330
KR600L 6/8	32	813	17	432	37 3/4	959	15	381	13	330
KR610L 6/8	32	813	17	432	38	965	15	381	13	330
KR750L 6/8	32	813	17	432	38	965	15	381	13	330
KR900L 6/8	43	1092	18	457	38 1/2	978	24	610	15 1/2	394
KR1000L 6/8	43	1092	18	457	38 1/2	978	24	610	15 1/2	394
KR1500L 6/8	43	1092	22 3/4	578	36 3/4	933	24	610	15 1/2	394
KR2000L 6/8	41	1041	23 1/4	591	38 3/4	984	24	610	15 1/2	394
KR2500L 6/8	41	1041	26 3/4	679	41 3/4	1060	24	610	15 1/2	394
KR3000L 6/8	51	1295	26 3/4	679	43 3/4	1111	24	610	15 1/2	394



MODEL KR	COMPRESSOR				RECEIVER				R404A RECEIVER CAPACITY 90% FULL *		SHIPPING WEIGHT			
	DISCHARGE (OD)		SUCTION (OD)		INLET		OUTLET		Lbs.	Kgs	OUTDOOR		INDOOR	
	Inches	mm	Inches	mm	Inches	mm	Inches	mm			Lbs.	Kgs	Lbs.	Kgs
KR075M2	3/8	10	1/2	13	1/2	13	3/8	10	27	12	286	130	230	104
KR100M2	1/2	13	5/8	16	1/2	13	3/8	10	27	12	288	131	260	118
KR150M2	1/2	13	7/8	22	1/2	13	3/8	10	27	12	291	132	295	134
KR200M2	5/8	16	7/8	22	1/2	13	3/8	10	27	12	361	164	305	138
KR100M6	1/2	13	5/8	16	1/2	13	3/8	10	25	11	290	132	432	196
KR200M6	5/8	16	7/8	22	1/2	13	3/8	10	25	11	298	135	230	104
KR210M6	5/8	16	7/8	22	1/2	13	3/8	10	25	11	371	168	260	118
KR300M8*	5/8	16	1 1/8	29	1/2	13	3/8	10	40	18	386	175	370	168
KR500M8*	7/8	22	1 3/8	35	5/8	16	5/8	16	50	23	516	234	721	327
KR510M8*	7/8	22	1 3/8	35	5/8	16	5/8	16	50	23	516	234	724	328
KR750M8*	7/8	22	1 3/8	35	5/8	16	5/8	16	81	37	599	272	735	333
KR760M8*	1 1/8	29	1 3/8	35	5/8	16	5/8	16	81	37	632	287	830	376
KR1000M8*	1 1/8	29	1 3/8	35	7/8	22	7/8	22	112	51	672	305	830	376
KR1500M8*	1 1/8	29	1 5/8	41	7/8	22	7/8	22	149	68	680	308	830	376
KR2500M8*	1 3/8	35	2 1/8	54	1 1/8	29	1 1/8	29	149	68	811	368	1030	467
KR3000M8*	1 3/8	35	2 1/8	54	1 1/8	29	1 1/8	29	187	85	835	379	1030	467
KR3500M8*	1 5/8	41	2 1/8	54	1 1/8	29	1 1/8	29	187	85	905	411	260	118
KR4000M8*	1 5/8	41	2 1/8	54	1 1/8	29	1 1/8	29	187	85	957	434	305	138
KR050L 6/8	3/8	10	1/2	13	1/2	13	3/8	10	23	10	286	130	370	168
KR075L 6/8	3/8	10	5/8	16	1/2	13	3/8	10	23	10	285	129	432	196
KR100L 6/8	1/2	13	5/8	16	1/2	13	3/8	10	23	10	293	133	497	225
KR150L 6/8	1/2	13	7/8	22	1/2	13	3/8	10	23	10	295	134	230	104
KR200L 6/8	1/2	13	7/8	22	1/2	13	3/8	10	23	10	367	166	260	118
KR300L 6/8	5/8	16	1 1/8	29	1/2	13	3/8	10	40	18	449	204	275	125
KR350L 6/8	7/8	22	1 3/8	35	1/2	13	1/2	13	50	23	533	242	300	136
KR400L 6/8	7/8	22	1 3/8	35	1/2	13	1/2	13	50	23	538	244	370	168
KR600L 6/8	7/8	22	1 3/8	35	5/8	16	5/8	16	81	37	616	279	375	170
KR610L 6/8	1 1/8	29	1 3/8	35	5/8	16	5/8	16	81	37	648	294	448	203
KR750L 6/8	1 1/8	29	1 3/8	35	5/8	16	5/8	16	81	37	658	298	446	202
KR900L 6/8	1 1/8	29	1 3/8	35	7/8	22	7/8	22	112	51	673	305	543	246
KR1000L 6/8	1 1/8	29	1 3/8	35	7/8	22	7/8	22	112	51	693	314	573	259
KR1500L 6/8	1 3/8	35	1 5/8	41	7/8	22	7/8	22	112	51	760	345	736	333
KR2000L 6/8	1 3/8	35	2 1/8	54	1 1/8	29	1 1/8	29	149	68	818	371	774	350
KR2500L 6/8	1 3/8	35	2 1/8	54	1 1/8	29	1 1/8	29	149	68	881	400	782	354
KR3000L 6/8	1 3/8	35	2 1/8	54	1 1/8	29	1 1/8	29	187	85	930	422	830	376

*** NOTE ON ALTERNATE REFRIGERANTS:**

* PUBLISHED RECEIVER CAPACITY IS BASED ON **R404A** ON MODELS USING "8" AS REFRIGERANT CODE.
FOR ALERNATE REFRIGERANTS, MULTIPLY **R404A** VALUE BY THE APPROPRIATE VALUE BELOW:

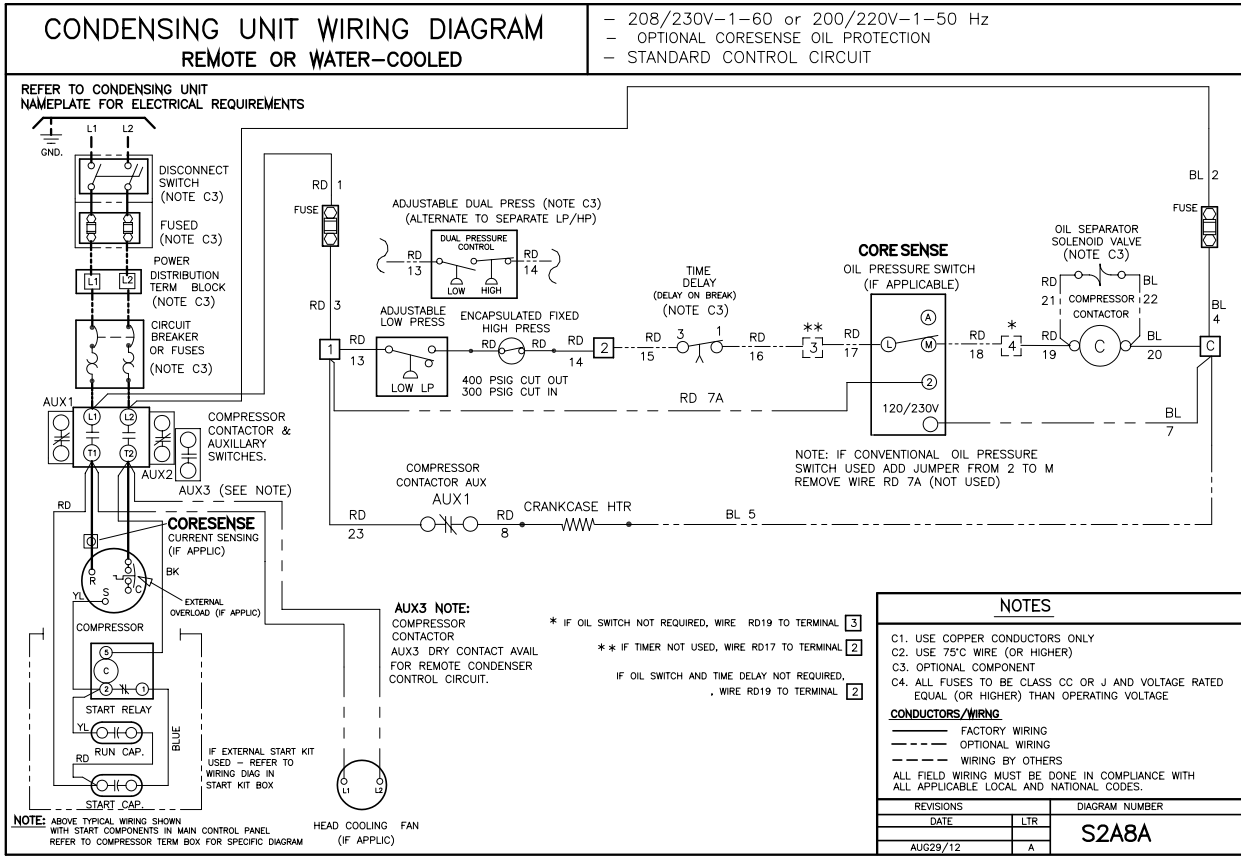
R407A	R407C	R448A	R507	R22
1.10	1.10	1.05	1.00	1.15

- For R449A, use R448A data.

TYPICAL SYSTEM WIRING DIAGRAM

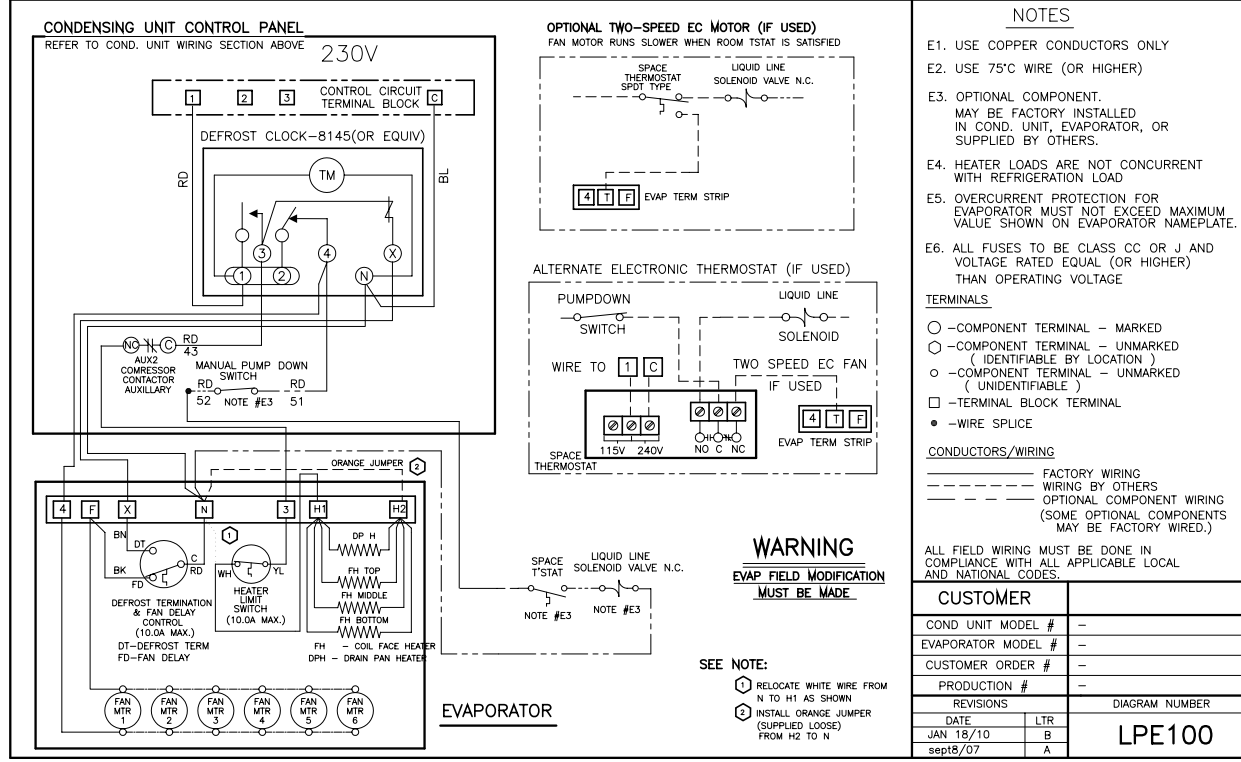
208-230/1/60 Unit

with Low Profile Electric Defrost Evaporator



TYPICAL EVAPORATOR WIRING: FOR SINGLE LOW PROFILE ELECT 1 PHASE DEFROST EVAPORATOR- SINGLE POINT

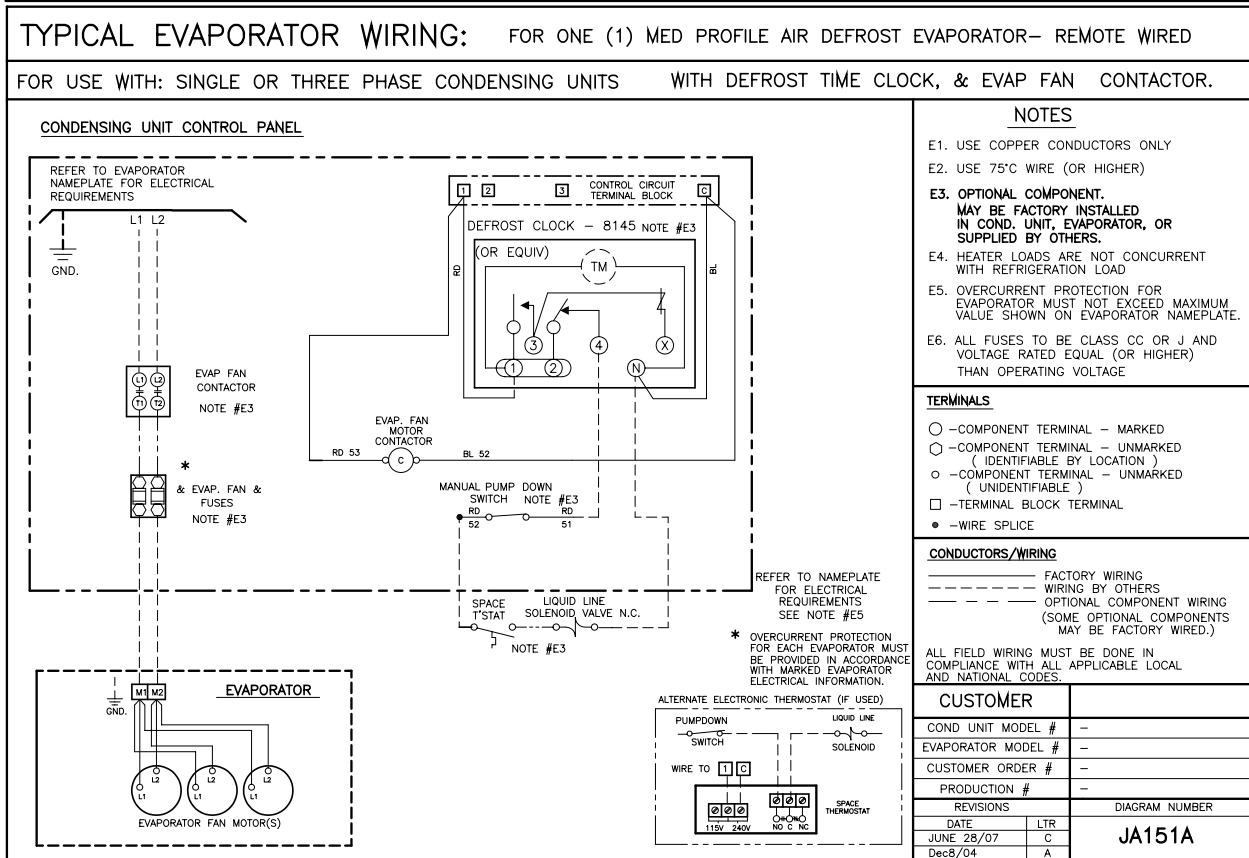
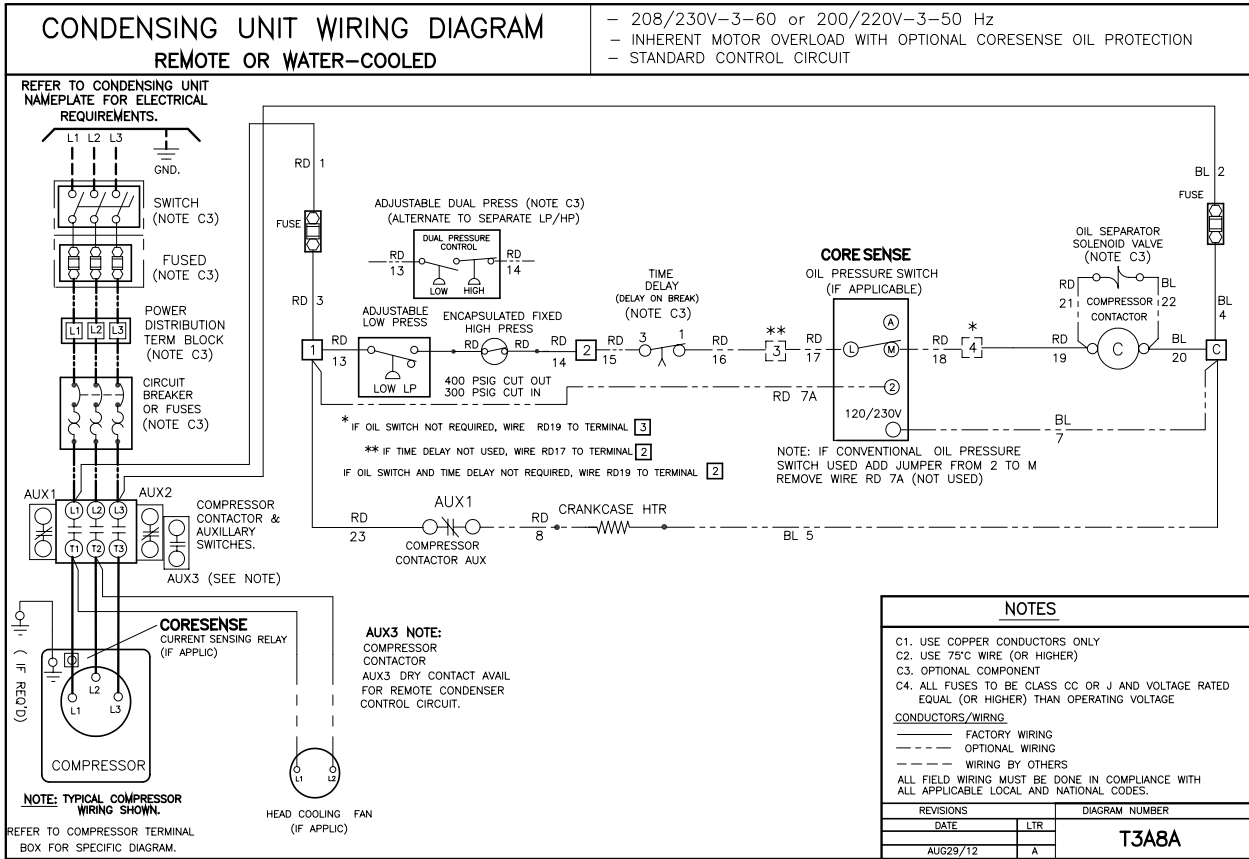
FOR USE WITH: 230V SINGLE OR THREE PHASE CONDENSING UNITS WITH DEFROST TIME CLOCK, WITHOUT DEFROST HEATER CONTACTOR MAX DEFROST HEATER AMPS 10A



TYPICAL SYSTEM WIRING DIAGRAM

208-230/3/60 Unit

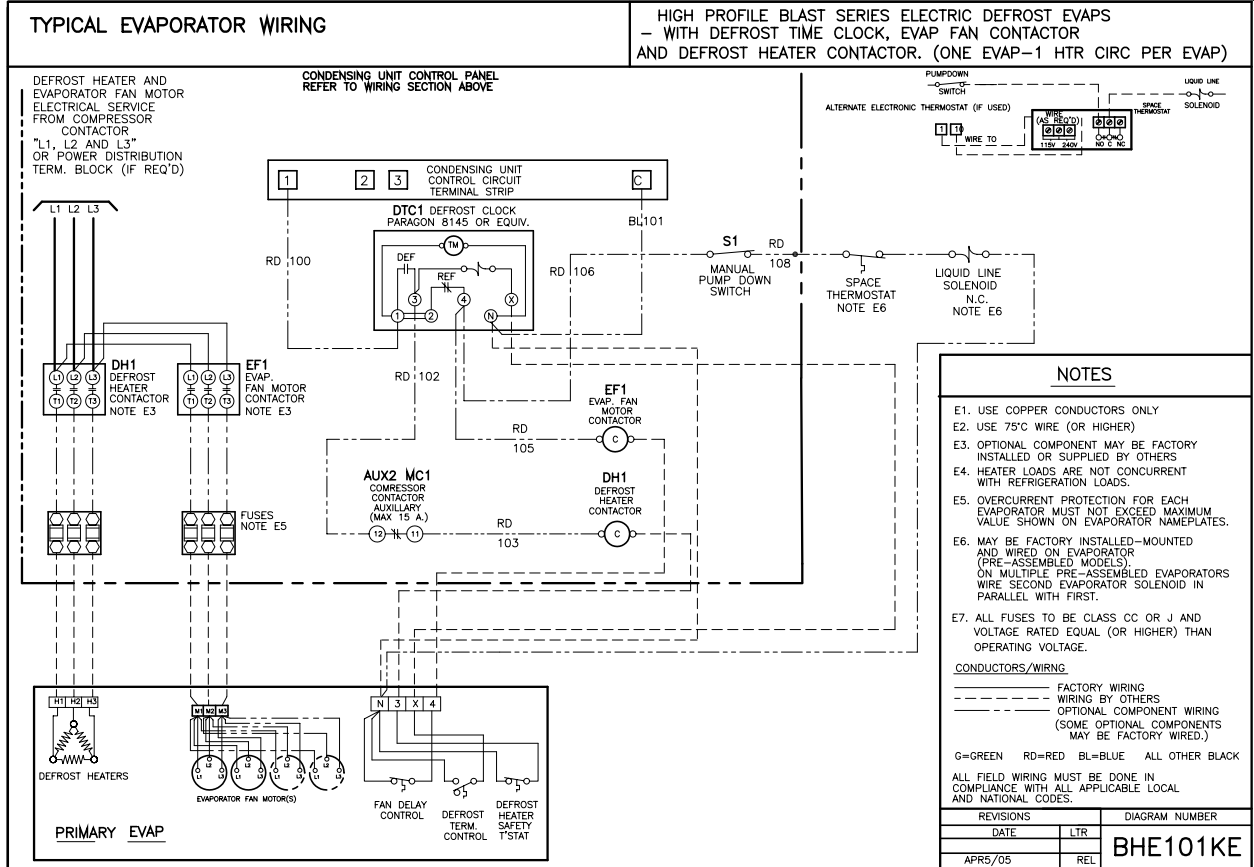
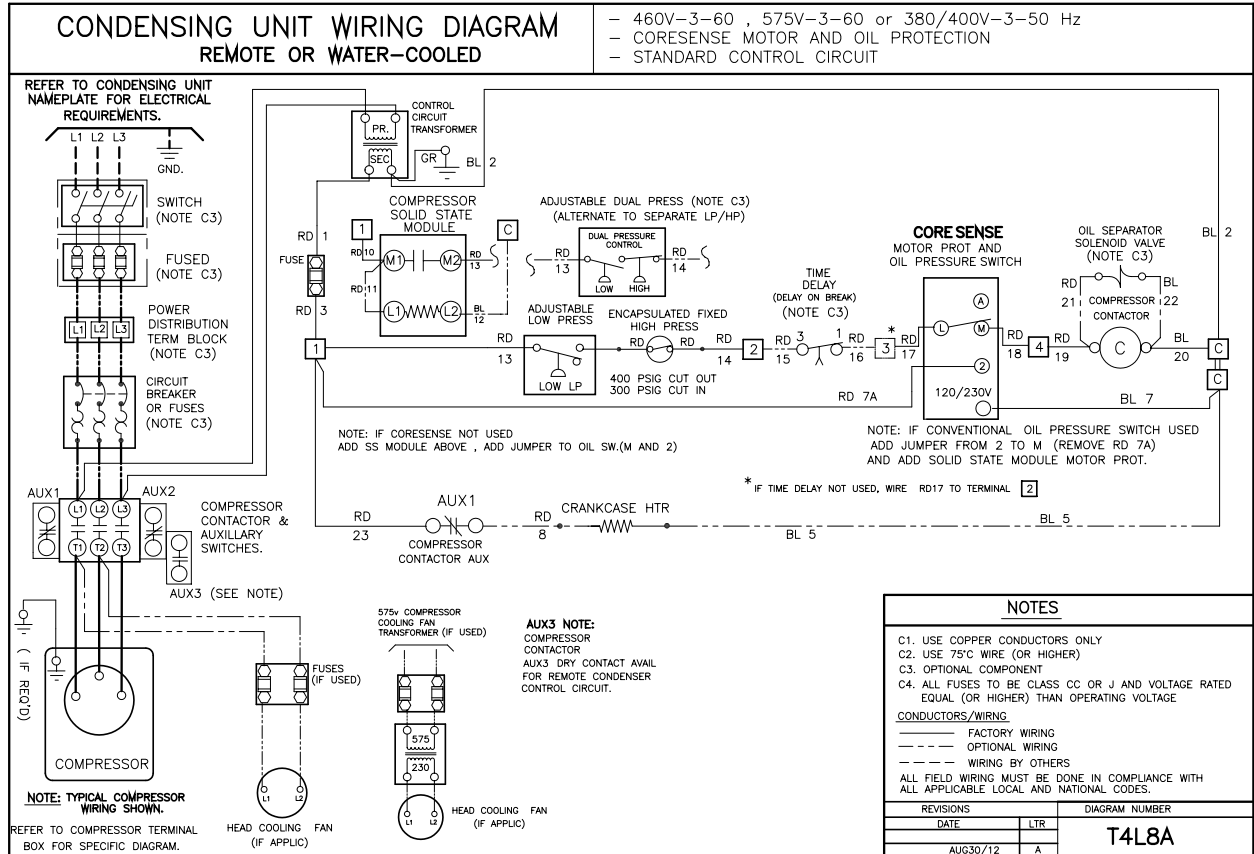
with Medium Profile Air Defrost Evaporator



TYPICAL SYSTEM WIRING DIAGRAM

460/3/60 or 575/3/60 Unit

with High Profile Electric Defrost Evaporator



System	
Model Number	Date of Start-Up
Serial Number	Service Contractor
Refrigerant	Phone
Electrical Supply	E-mail


PRODUCT SUPPORT

web: k-rp.com/kr
email: rcu-wccu@k-rp.com
call: 1-844-893-3222 x523


TROUBLESHOOTING


email: troubleshooting@k-rp.com
call: 1-844-893-3222 x529


SERVICE PARTS


web: k-rp.com/parts
email: parts@k-rp.com
call: 1-844-893-3222 x501


WARRANTY

web: k-rp.com/warranty
email: warranty@k-rp.com
call: 1-844-893-3222 x501


ORDERS

email: orders@k-rp.com
call: 1-844-893-3222 x501


SHIPPING

email: shipping@k-rp.com
call: 1-844-893-3222 x503



NATIONAL REFRIGERATION &
AIR CONDITIONING CANADA CORP.
159 ROY BLVD., BRANTFORD, ON, N3R 7K1



1-800-463-9517 (519) 751-0444
www.k-rp.com info@k-rp.com fax: (519) 753-1140