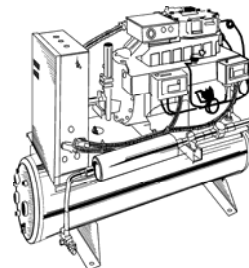
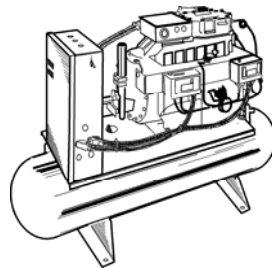
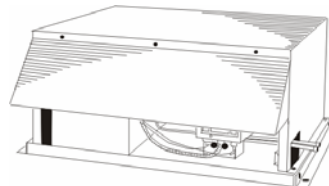
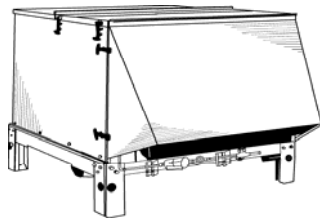
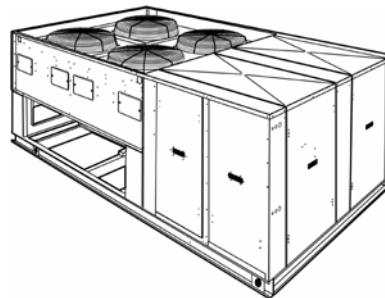
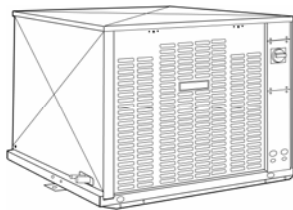


# Installation and Maintenance Instructions

for

**Air-Cooled, Remote and Water-Cooled  
Condensing Units**



National Refrigeration and Air Conditioning Canada Corp.,  
159 Roy Blvd., P.O. Box 2020, Brantford, Ontario, N3T 5Y6  
Phone: 800-463-9517, 519-751-0444 Fax: 519-753-1140  
Visit our web site at [www.keepriterefrigeration.com](http://www.keepriterefrigeration.com)

## Table of Contents

	<b>Pages</b>
General Safety, Inspection & General Warranty Policy	3
Handling, Placement & Installation	4 – 6
Electrical Information & Wiring Diagrams	7 – 14
Refrigerant Piping	15 – 16
Water-Cooled Condensers, Piping & Flow Rates	17 – 18
System Accessories	19
Leak Testing, Evacuation & Dehydration	20
Line Insulation	21
Refrigerant Charging	21 – 23
Compressor Oils	24 – 25
System Start-up Check List	26 – 27
Low Temperature Room Pull-Down	27
Checking Compressor & Evaporator Superheat	28
System Operational Check List	29
System Troubleshooting	30 – 32
Customer Instructions	33
Maintenance Program	33
Service Parts Availability	33
Finished Goods Warranty & Service Log	34
Warranty Activation Certificate	35
Service Parts List	Back Cover

## General Safety

### **IMPORTANT SAFETY NOTE**

Only a qualified refrigeration mechanic who is familiar with refrigeration systems and components, including all controls should perform the installation and start-up of the system. To avoid potential injury, use care when working around coil surfaces (if applicable) or sharp edges of metal cabinets. All piping and electrical wiring should be installed in accordance with all applicable codes, ordinances and local by-laws.

### **WARNING**

Always **disconnect and lock off** the main power supply on any system that will be worked on to avoid accidental start up of the equipment.

### Inspection

Inspect all equipment before unpacking for visible signs of damage or loss. Check shipping list against material received to ensure shipment is complete.

**IMPORTANT:** Remember, you, the consignee, must make any claim necessary against the transportation company. Shipping damage or missing parts, when discovered at the outset, will prevent later unnecessary and costly delays. **If damage or loss during transport is evident, make claim to carrier, as this will be their responsibility, not that of the manufacturer.**

Should carton be damaged, but damage to equipment is not obvious, a claim should be filed for "concealed damage" with the carrier.

**IMPORTANT:** Check the **electrical ratings** on the unit to make sure they correspond to those ordered and to electrical power available at the job site. Save all shipping papers, tags, and instruction sheets for reference by installer and owner.

## General Warranty Policy

Please refer to the "Finished Goods Warranty" on page 34.

## Handling, Placement and Installation

**IMPORTANT:** When selecting a location for the condensing unit, consideration should be given to some of the following:

- (a) Loading capacity of the floor or roof. Check building codes for weight distribution requirements.
- (b) Distance to suitable electrical supply.
- (c) Distance to the evaporator.
- (d) Adequate air circulation and ventilation.
- (e) Close proximity to water source and floor drains (water-cooled units)
- (f) Accessibility for maintenance.
- (g) Local building codes.
- (h) Adjacent buildings relative to noise levels.
- (i) Wishes of the end user / owner.

When all of the above points have been considered and a specific location chosen, it is advisable to obtain written approval of this location from the building and/or condensing unit owner. This may be a means of avoiding disagreement and expense at a later date.

**A fully qualified and properly equipped crew** with the necessary tackle and rigging should be engaged to locate the condensing unit in position. When lifting the unit, spreader bars and chafing gear should be used to prevent damage.

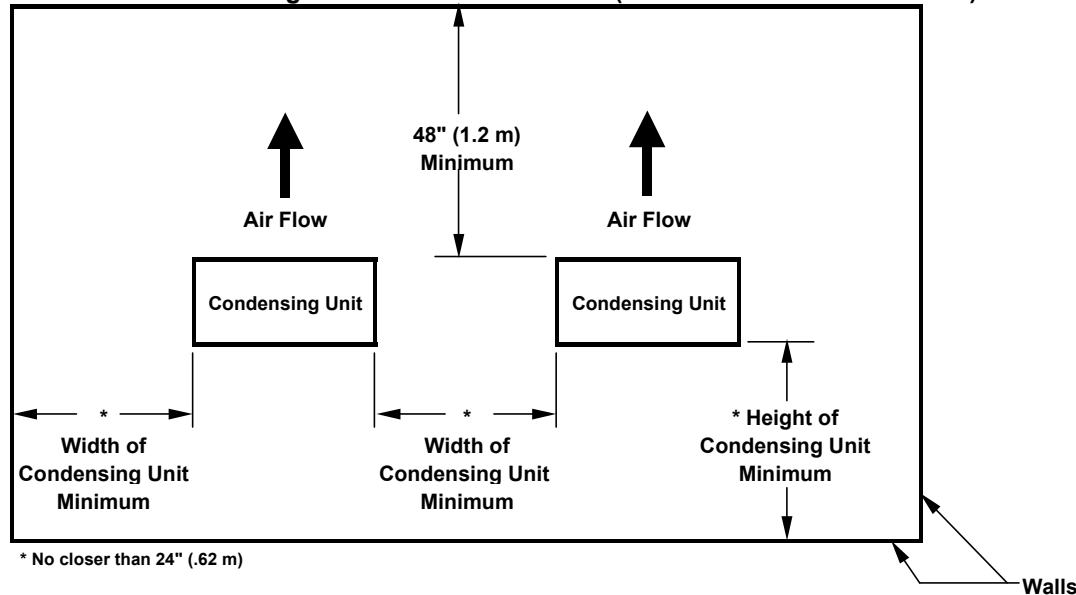
The unit should be placed on a base, which is level and even. Units should be lagged to sleepers or support base. Place unit where it will not be subject to damage by traffic or flooding. On critical installations where noise is liable to be transmitted through the floor structure, vibration isolators should be installed. Isolators should be installed under mounting base and may be rubber or cork or equal.

### **DO NOT USE THE SHIPPING SKID AS A PERMANENT BASE.**

The condensing unit should be positioned to allow adequate space for performing service work.

Indoor and outdoor air-cooled condensing units should be positioned using the guidelines shown below.

#### **Air Cooled Condensing Unit Minimum Clearance (for Horizontal Air Flow Units)**

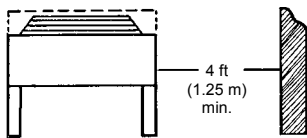


**SPECIAL NOTE FOR LARGE AIR COOLED CONDENSING UNITS:** Vertical flow air cooled condensing units are large and heavy pieces of mechanical equipment and must be handled as such. A fully qualified and properly equipped crew with the necessary tackle and rigging should be engaged to locate the condensing unit into location. The unit can be lifted by means of lifting holes located in the base frame of the unit. Spreader bars should be used to prevent damage to the sides of the unit. Do not sling directly around the base of unit. The unit should be placed on a base which is level and even.

### Air Cooled Condensing Unit Minimum Clearance (For Vertical Air Flow Units)

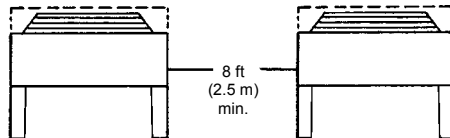
#### WALLS OR OBSTRUCTIONS

All sides of the unit must be a minimum of 4 feet (1.25 m) away from the wall or obstruction. Overhead obstructions are not permitted. If enclosed by three walls, the unit must be installed as indicated for units in a pit.



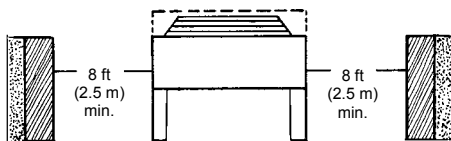
#### MULTIPLE UNITS

A minimum of 8 feet (2.5 m) is required between multiple units placed side by side. If placed end to end, the minimum distance between units is 4 feet (1.25 m)



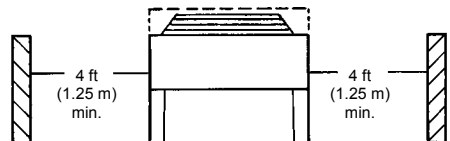
#### UNITS IN PITS:

The top of the unit must be level with, or above the top of the pit. In addition, a minimum of 8 feet (2.5 m) is required between the unit and the pit walls.



#### LOUVERS / FENCES:

Louvers/fences must have a minimum of 80% free area and 4 feet (1.25 m) minimum clearance between the unit and the louver/fence. Height of louver/fence must not exceed top of unit.



Units equipped with spring-mounted compressors have shipping spacers that are designed to hold the compressor rigidly during transit to prevent possible damage. Before operating the unit, it is necessary to remove these spacers. To remove the shipping spacers, follow these steps:

- Remove the upper nuts / washers.
- Discard the shipping spacers.
- Install the rubber cone washers (located in the electrical box).
- Replace the upper mounting nuts / washers.
- Allow 1/16 inch space between the mounting nuts / washers and the compressor foot.

On units equipped with rigid mounted compressors, check the compressor mounting bolts to insure they have not vibrated loose during shipping.

## Ventilation

If the compressors or condensing units are to be located in machine rooms, adequate ventilation air must be provided in order to avoid an excessive temperature rise in the room. Air requirements vary with ambient air temperatures and the refrigeration load, however the following rule of thumb may be used to approximate ventilating air quantities:

<b>Model Type</b>	<b>Air Quantity</b>
Air-cooled condensing units (for horizontal air flow units)	1,000 cfm (472 L/s) per Hp
Air-cooled compressors (with remote condensers)	250 cfm (118 L/s) per Hp
Suction cooled or water-cooled compressors (with remote or water cooled condensers)	200 cfm (94 L/s) per Hp

All of the above mentioned air quantities are based on relatively short discharge line runs within the machine rooms. If using long uninsulated discharge line runs are unavoidable in the machine room, additional ventilation air is required to offset the heat added to the room by the discharge gas.

## Electrical Information

### WARNING

All wiring and connections to the unit must be made in accordance with national as well as local electrical codes and by-laws.

Electrical wiring should be sized in accordance with the minimum circuit ampacities shown on the unit nameplate and applicable electrical codes. The unit power connections are approved for copper wire only.

Connect the field power supply through a fused branch circuit disconnect switch. The entering service fuse must not exceed the maximum overcurrent protection (MOP) value on the unit data plate.

Field connected control circuit wires are terminated directly at the control circuit terminal block in accordance with the appropriate wiring diagram.

Voltage at the unit terminals must not vary more than the allowable variation during start-up and while under full load. If the voltage is normal at the supply with the compressor not running and drops considerably when the switch is closed and the motor is trying to start, there is a high resistance due to undersized wires or faulty connections. Voltage drop between inoperative and full load must not exceed 3% of line voltage. In addition, the phase imbalance at the motor terminals should be within 2% on three phase units.

60 Hz Supply		50 Hz Supply	
Power	Allowable Variation	Power	Allowable Variation
115-1-60	103-127 V	100-1-50	90-110 V
208/230-1-60	197-254 V	200/220-1-50	190-242 V
208/230-3-60	187-254 V	200/220-3-50	180-242 V
460-3-60	414-506 V	380/400-3-50	342-440 V
575-3-60	518-632 V		

All systems should use a liquid line solenoid valve (installed at the evaporator) and should be energized by the room or fixture thermostat. For systems with a defrost time clock, the liquid line solenoid and thermostat should be energized by the time clock. Initially set the defrost time clock (model 8145) as follows:

**Air defrost evaporators;** 3 per day (every 8 hours) with the time termination at 45 minutes.

**Electric defrost evaporators;** 4 per day (every 6 hours) with time termination set (Fail Safe) at 30 minutes. Check that the wiring from the defrost termination thermostat is wired to terminal "X" on the clock and terminates the defrost cycle when the evaporator coil reaches approximately 55 °F. The fan delay thermostat wiring should also be checked for proper operation. This ensures that all water droplets have been refrozen to the coil before the evaporator fan starts back up.

**Note:** The above settings are guidelines only and must be re-adjusted to suit local field conditions and actual evaporator equipment specifications.

Refer to the evaporator installation manual for further information.

An evaporator airflow interlock is recommended on some installations so that the compressor will pump down and shut off in the event that the evaporator fan is off for any reason. This is wired into the control circuit in series with the thermostat and solenoid valve.

Refer to the following wiring diagrams for typical air defrost and electric defrost wiring arrangements.

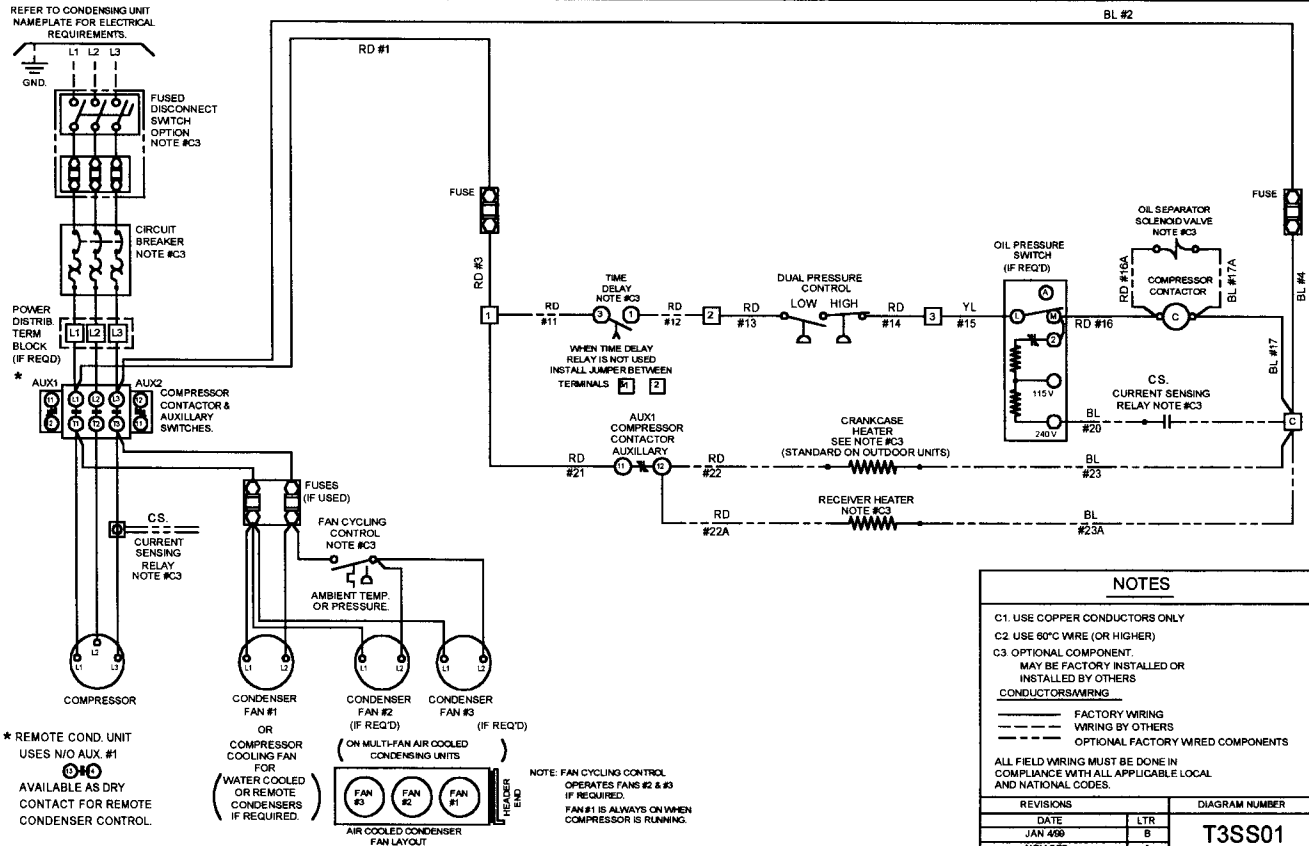
### WARNING

Any deviation or change to the electrical components or wiring as supplied on the original equipment, or noncompliance with the voltage and phase balance requirements without written authorization will void the warranty.

# Electrical Wiring Diagram – Horizontal Air Flow Condensing Units (K-Line)

## CONDENSING UNIT WIRING DIAGRAM

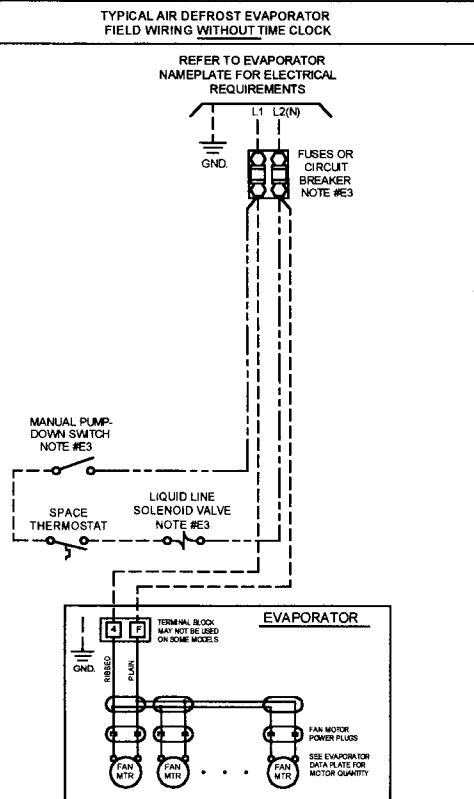
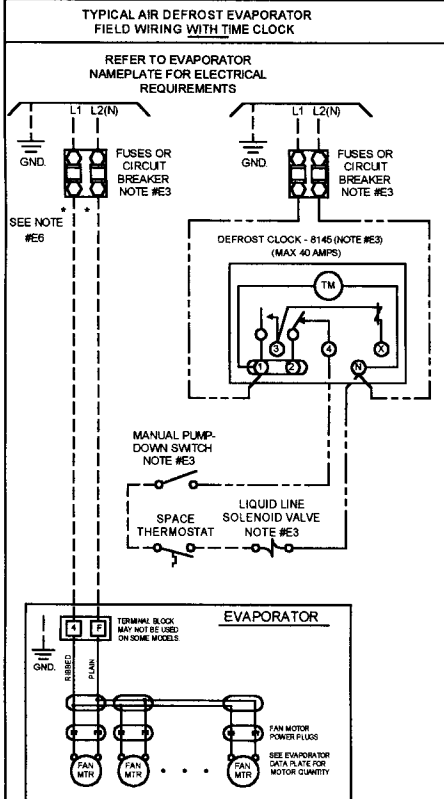
- 208-230/3/60 & 200-220/3/50
- STANDARD COMPRESSOR, UP TO 3 CYLINDER.
- STANDARD CONTROL CIRCUIT.



## TYPICAL EVAPORATOR WIRING:

FOR KUCB, TLP, BA, TWB, TTW OR BTW SERIES AIR DEFROST EVAPORATORS

### WITH OR WITHOUT DEFROST TIME CLOCK



### NOTES

- E1. USE COPPER CONDUCTORS ONLY
- E2. USE 60°C WIRE (OR HIGHER)
- E3. OPTIONAL COMPONENT. MAY BE FACTORY INSTALLED OR SUPPLIED BY OTHERS.
- E5. OVERCURRENT PROTECTION FOR EACH EVAPORATOR MUST NOT EXCEED MAXIMUM VALUE SHOWN ON EVAPORATOR NAMEPLATES.
- E6. IF FAN POWER SAME VOLTAGE AS CONTROL VOLTAGE WIRE TO 1 AND N ON TIME CLOCK.

- TERMINALS**
- COMPONENT TERMINAL - MARKED (IDENTIFIABLE BY LOCATION)
  - COMPONENT TERMINAL - UNMARKED (UNIDENTIFIABLE)
  - TERMINAL BLOCK TERMINAL
  - WIRE SPLICE

- CONDUCTORS/WIRING**
- FACTORY WIRING
  - WRING BY OTHERS
  - OPTIONAL COMPONENT WIRING (SOME OPTIONAL COMPONENTS MAY BE FACTORY WIRED.)
- ALL FIELD WIRING MUST BE DONE IN COMPLIANCE WITH ALL APPLICABLE LOCAL AND NATIONAL CODES.

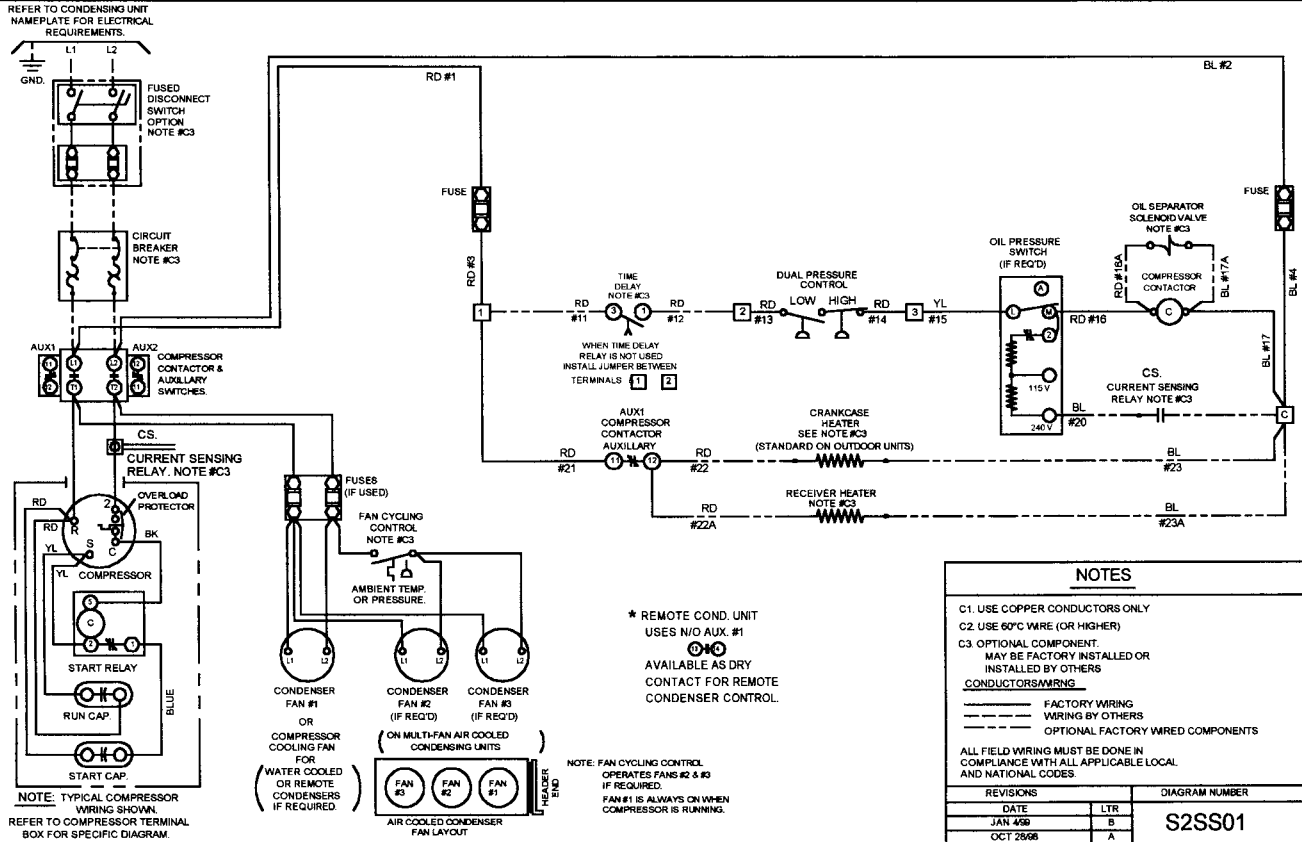
REVISIONS		DIAGRAM NUMBER
DATE	LTR	KSA01
JULY 11/01	B	
NOV 1/58	A	



# Electrical Wiring Diagram – Horizontal Air Flow Condensing Units (K-Line)

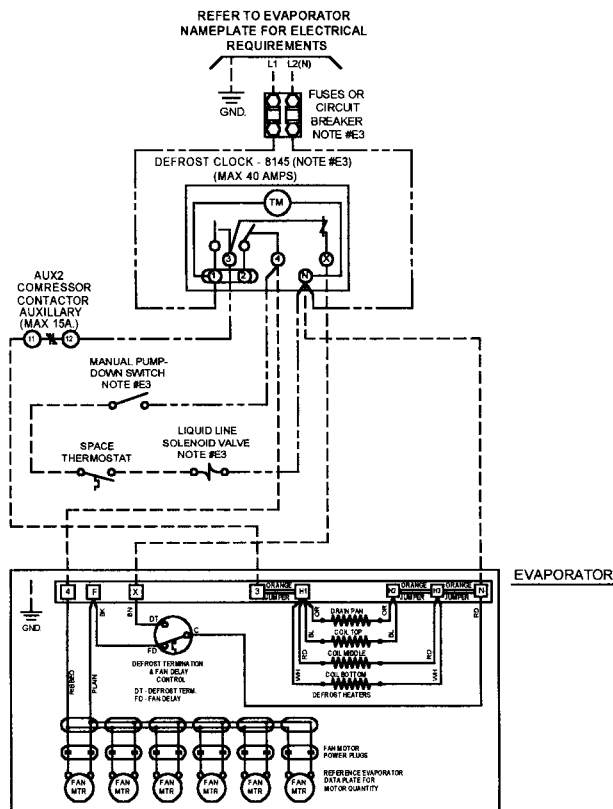
## CONDENSING UNIT WIRING DIAGRAM

- 208-230/1/60 & 200-220/1/50
- STANDARD COMPRESSOR, UP TO 3 CYLINDER.
- STANDARD CONTROL CIRCUIT.



## TYPICAL EVAPORATOR WIRING: FOR KUCB, TLP, OR BF SERIES, ELECTRIC DEFROST EVAPORATOR

WITH DEFROST TIME CLOCK / WITHOUT DEFROST CONTACTOR



**NOTES**

- E1) USE COPPER CONDUCTORS ONLY
- E2) USE 60°C WIRE (OR HIGHER)
- E3) OPTIONAL COMPONENT. MAY BE FACTORY INSTALLED OR SUPPLIED BY OTHERS.
- E4) HEATER LOADS ARE NOT CONCURRENT WITH REFRIGERATION LOADS.
- E5) OVERCURRENT PROTECTION FOR EACH EVAPORATOR MUST NOT EXCEED MAXIMUM VALUE SHOWN ON EVAPORATOR NAMEPLATES.

**TERMINALS**

- COMPONENT TERMINAL - MARKED
- COMPONENT TERMINAL - UNMARKED (IDENTIFIABLE BY LOCATION)
- COMPONENT TERMINAL - UNMARKED (UNIDENTIFIABLE)
- TERMINAL BLOCK TERMINAL
- WIRE SPLICE

**CONDUCTORS/WIRING**

- FACTORY WIRING
- - - WIRING BY OTHERS
- · - · - OPTIONAL COMPONENT WIRING (SOME OPTIONAL COMPONENTS MAY BE FACTORY WIRE.)

ALL FIELD WIRING MUST BE DONE IN COMPLIANCE WITH ALL APPLICABLE LOCAL AND NATIONAL CODES.

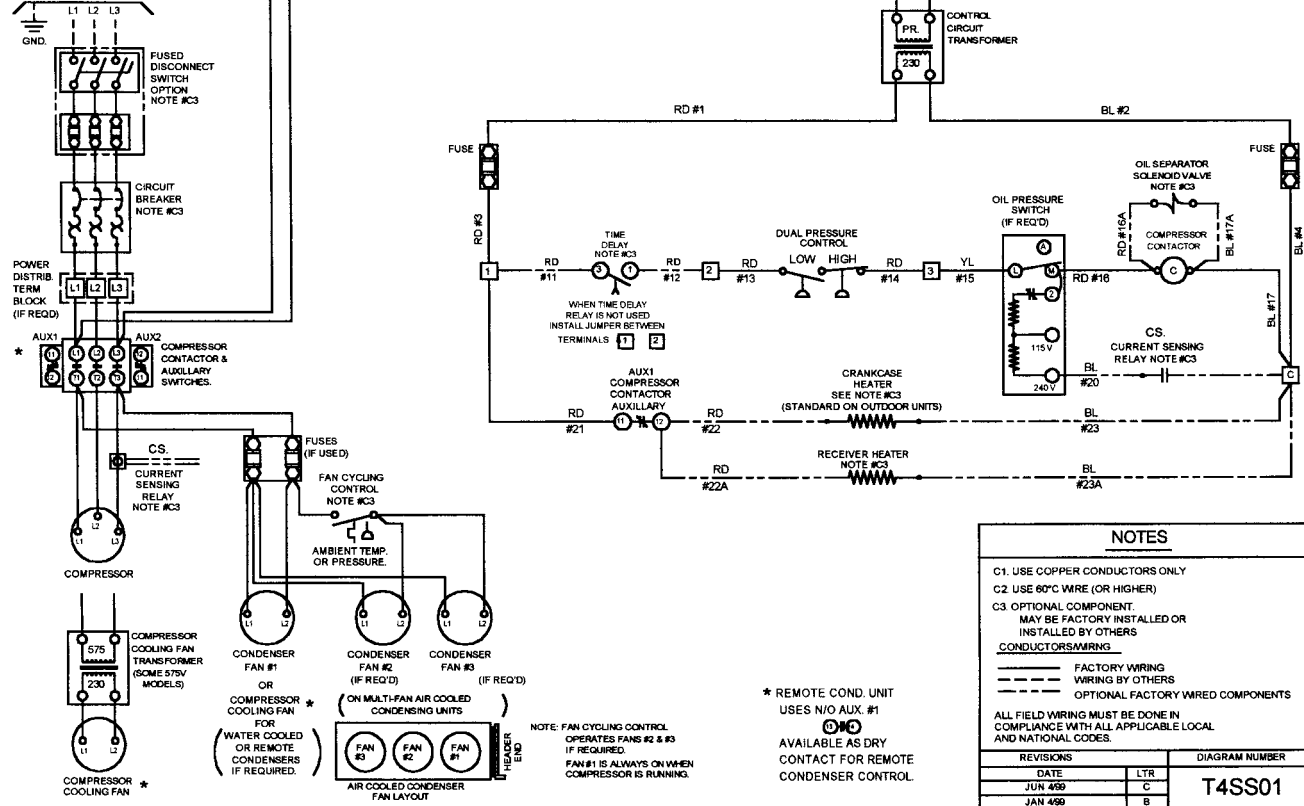
REVISIONS		DIAGRAM NUMBER
DATE	LTR	KSE01
NOV 1/98	A	

# Electrical Wiring Diagram – Horizontal Air Flow Condensing Units (K-Line)

## CONDENSING UNIT WIRING DIAGRAM

- 460/3/60, 575/3/60 or 380-400/3/50
- STANDARD COMPRESSOR, UP TO 3 CYLINDER.
- STANDARD CONTROL CIRCUIT.

REFER TO CONDENSING UNIT NAMEPLATE FOR ELECTRICAL REQUIREMENTS.



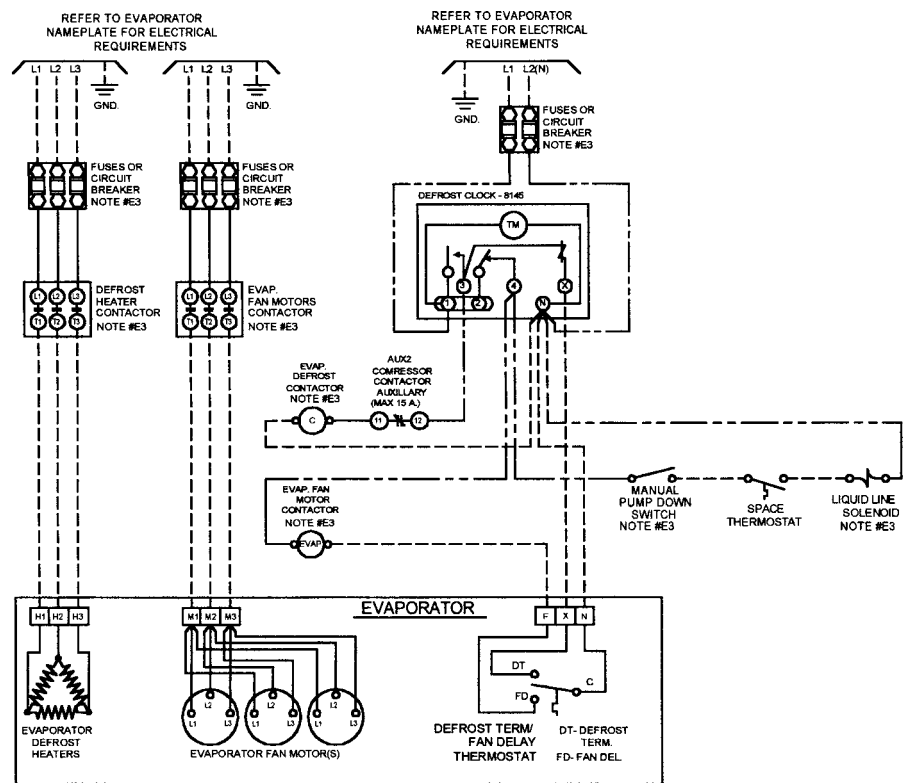
### NOTES

- C1. USE COPPER CONDUCTORS ONLY
  - C2. USE 60°C WIRE (OR HIGHER)
  - C3. OPTIONAL COMPONENT. MAY BE FACTORY INSTALLED OR INSTALLED BY OTHERS
- CONDUCTORS/WIRING
- FACTORY WIRING
  - - - WIRING BY OTHERS
  - · - · - OPTIONAL FACTORY WIRED COMPONENTS
- ALL FIELD WIRING MUST BE DONE IN COMPLIANCE WITH ALL APPLICABLE LOCAL AND NATIONAL CODES.

REVISIONS		DIAGRAM NUMBER
DATE	LTR	T4SS01
JUN 499	C	
JAN 499	B	

## TYPICAL EVAPORATOR WIRING: JUCJ, JUJC OR BB SERIES ELECTRIC DEFROST EVAPORATOR

WITH DEFROST TIME CLOCK, EVAPORATOR FAN CONTACTOR AND DEFROST HEATER CONTACTOR.



### NOTES

- E1) USE COPPER CONDUCTORS ONLY
- E2) USE 60°C WIRE (OR HIGHER)
- E3) OPTIONAL COMPONENT. MAY BE FACTORY INSTALLED OR SUPPLIED BY OTHERS.
- E4) HEATER LOADS ARE NOT CONCURRENT WITH REFRIGERATION LOADS.
- E5) OVERCURRENT PROTECTION FOR EACH EVAPORATOR MUST NOT EXCEED MAXIMUM VALUE SHOWN ON EVAPORATOR NAMEPLATES.

### TERMINALS

- COMPONENT TERMINAL - MARKED
- COMPONENT TERMINAL - UNMARKED (IDENTIFIABLE BY LOCATION)
- COMPONENT TERMINAL - UNMARKED (UNIDENTIFIABLE)
- TERMINAL BLOCK TERMINAL
- WIRE SPLICE

### CONDUCTORS/WIRING

- FACTORY WIRING
- - - WIRING BY OTHERS
- · - · - OPTIONAL COMPONENT WIRING (SOME OPTIONAL COMPONENTS MAY BE FACTORY WIRED.)

ALL FIELD WIRING MUST BE DONE IN COMPLIANCE WITH ALL APPLICABLE LOCAL AND NATIONAL CODES.

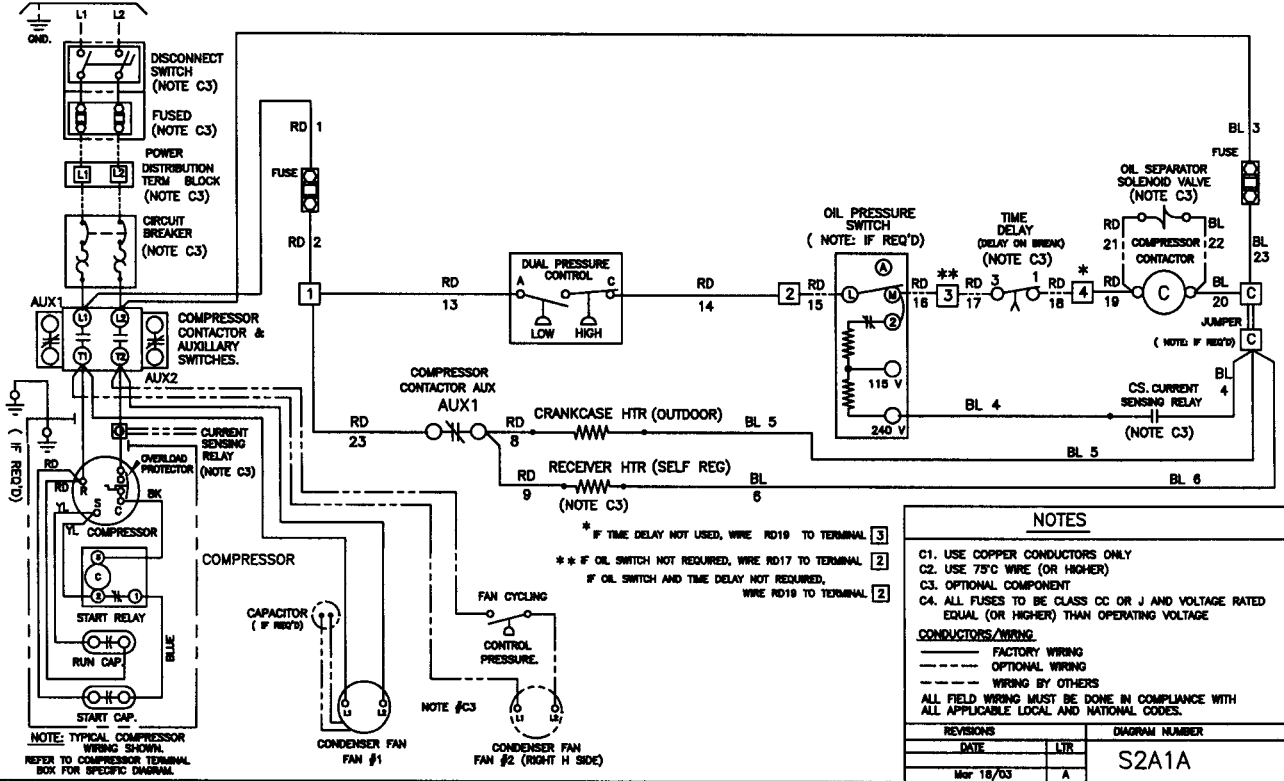
REVISIONS		DIAGRAM NUMBER
DATE	LTR	JSE03
NOV 30/98	A	

# Electrical Wiring Diagram – Horizontal Air Flow Condensing Units (KE-Line)

## CONDENSING UNIT WIRING DIAGRAM

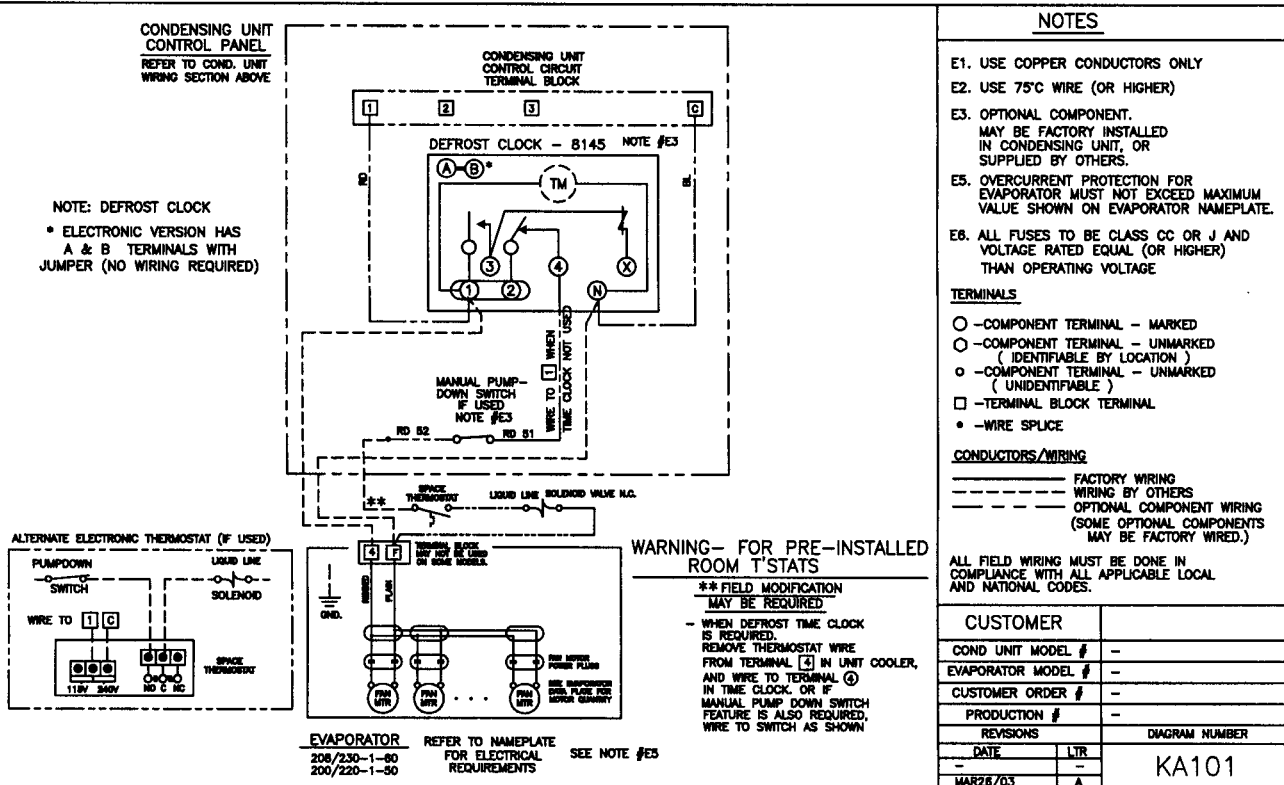
- 208/230V-1-60 or 200/220V-1-50 Hz
- INHERENT LINE BREAK MOTOR PROTECTION
- STANDARD CONTROL CIRCUIT

REFER TO CONDENSING UNIT NAMEPLATE FOR ELECTRICAL REQUIREMENTS



## TYPICAL EVAPORATOR WIRING: FOR SINGLE AIR DEFROST EVAPORATOR— SINGLE POINT

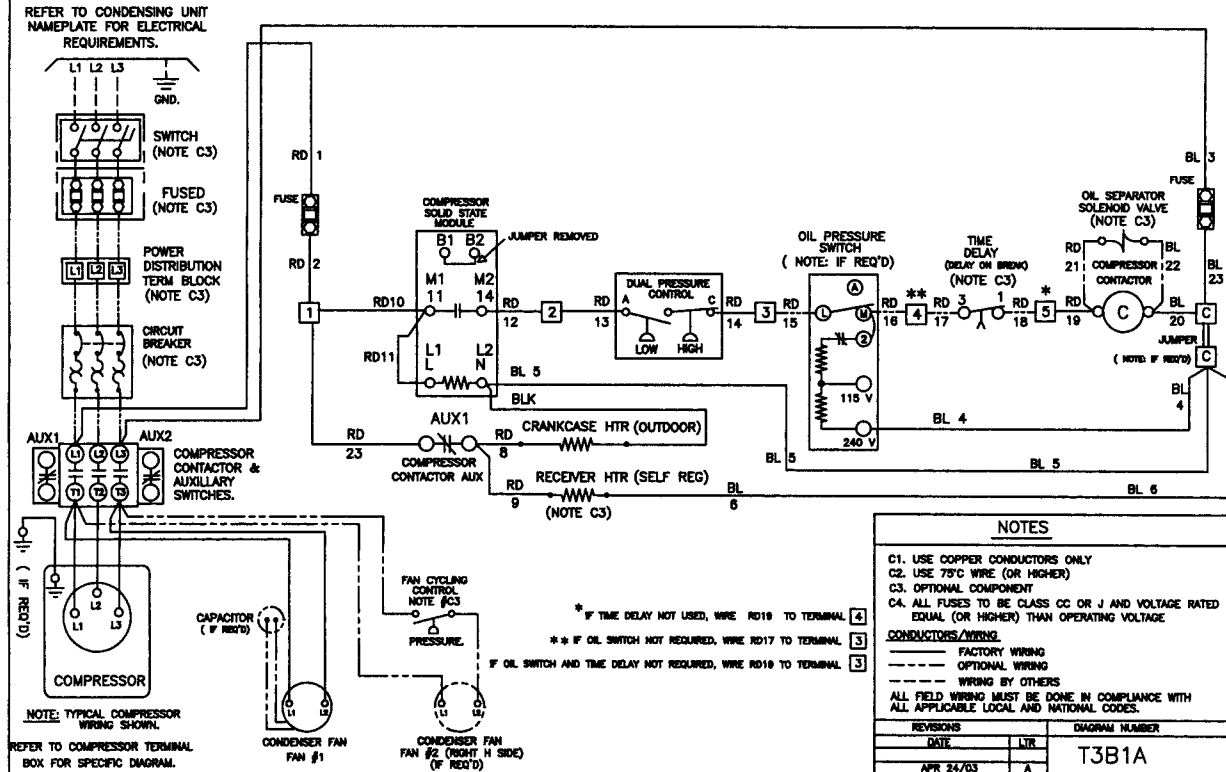
FOR USE WITH: 208/230-1-60, 200/220-1-50 OR 208/230-3-60, 200/220-3-50 CONDENSING UNITS  
WITH OR WITHOUT DEFROST TIME CLOCK AND FOR TOTAL EVAP FAN AMPS NOT EXCEEDING 12A



# Electrical Wiring Diagram – Horizontal Air Flow Condensing Units (KE-Line)

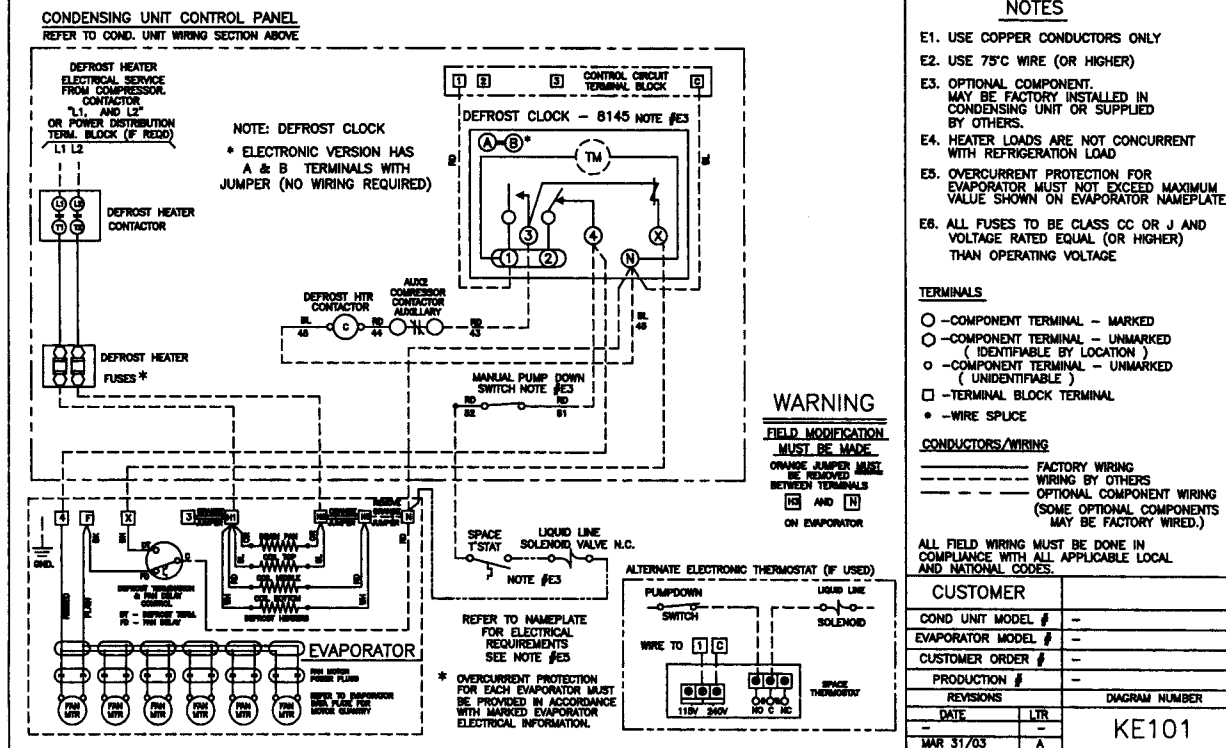
## CONDENSING UNIT WIRING DIAGRAM

- 208/230V-3-60 or 200/220V-3-50 Hz
- SOLID STATE MODULE MOTOR PROTECTION
- STANDARD CONTROL CIRCUIT



## TYPICAL EVAPORATOR WIRING: FOR SINGLE LOW PROFILE ELECT DEFROST EVAPORATOR- SINGLE POINT

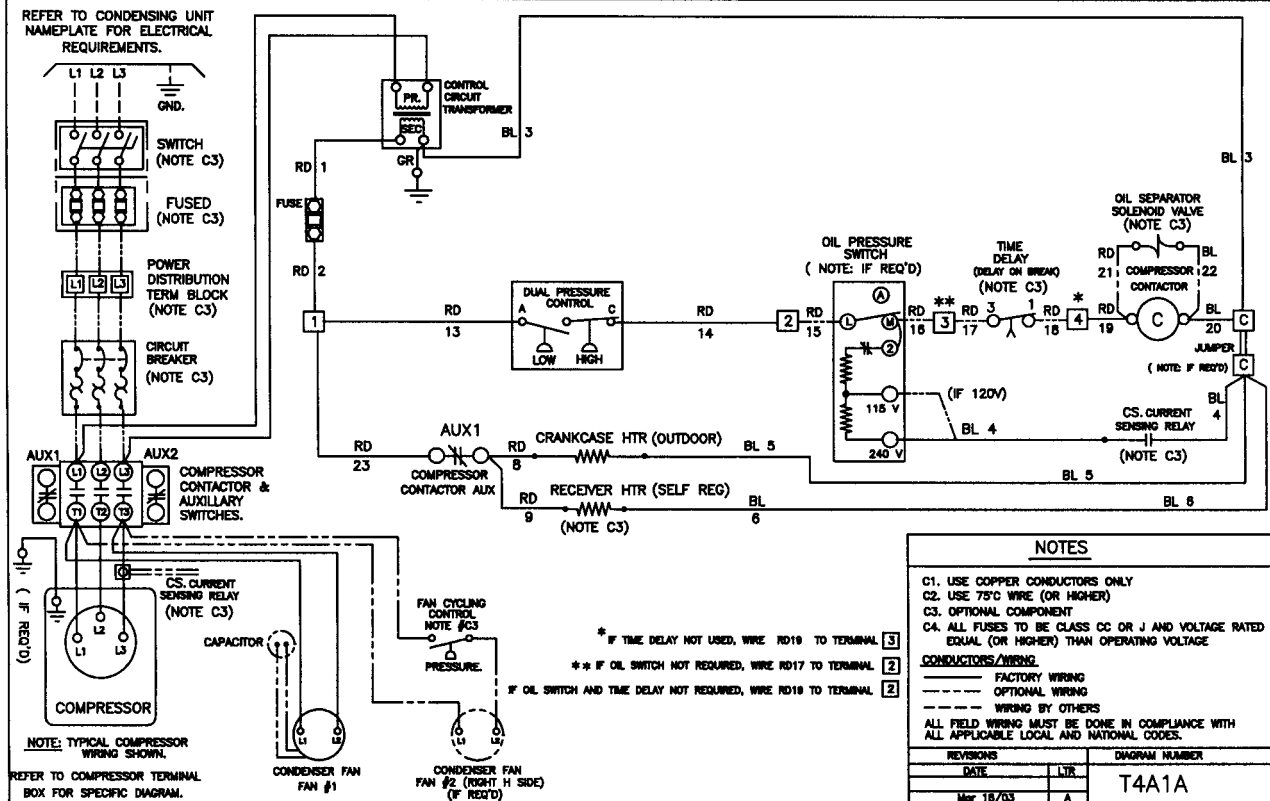
FOR USE WITH: 230v SINGLE OR THREE PHASE CONDENSING UNITS WITH DEFROST TIME CLOCK, AND DEFROST HTR. CONTACTOR.



# Electrical Wiring Diagram – Horizontal Air Flow Condensing Units (KE-Line)

## CONDENSING UNIT WIRING DIAGRAM

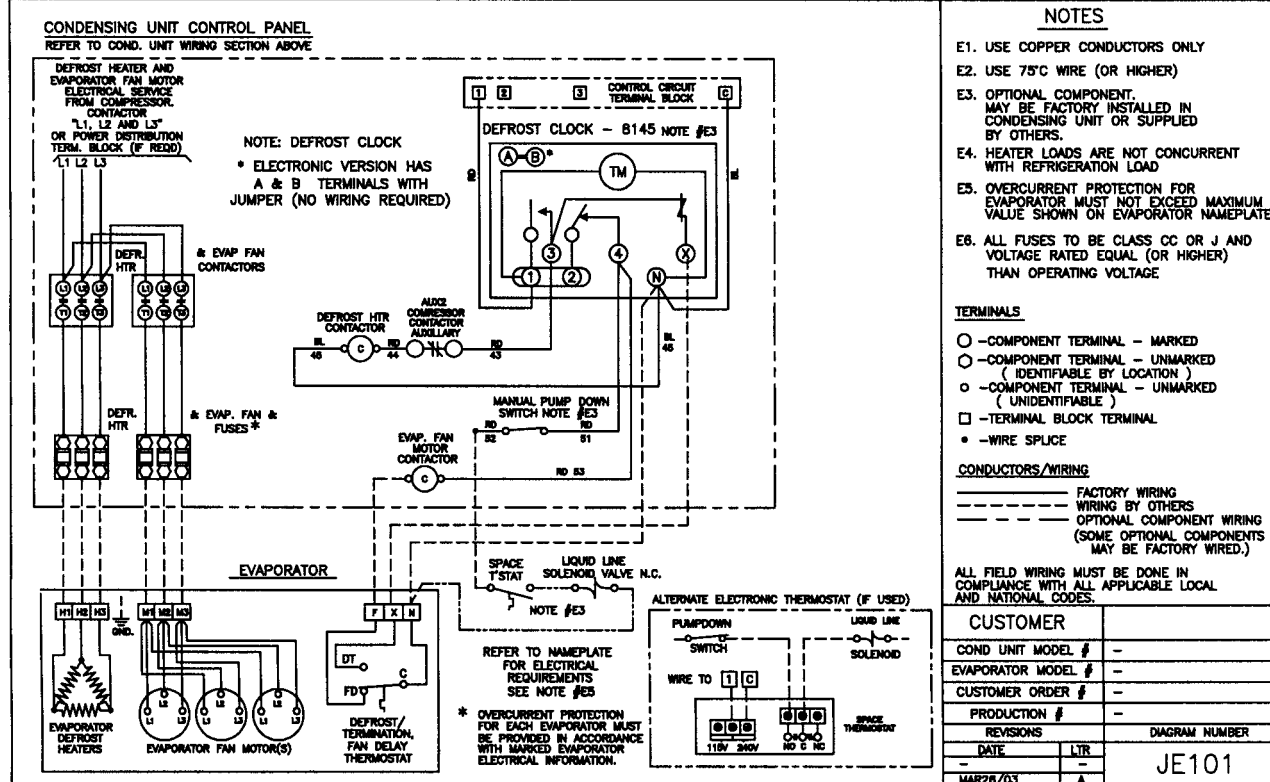
- 460V-3-60, 575V-3-60 or 380/400V-3-50 Hz
- INHERENT LINE BREAK MOTOR PROTECTION
- STANDARD CONTROL CIRCUIT



- ### NOTES
- C1. USE COPPER CONDUCTORS ONLY
  - C2. USE 75°C WIRE (OR HIGHER)
  - C3. OPTIONAL COMPONENT
  - C4. ALL FUSES TO BE CLASS CC OR J AND VOLTAGE RATED EQUAL (OR HIGHER) THAN OPERATING VOLTAGE
- CONDUCTORS/WIRING:  
 - - - - - FACTORY WIRING  
 - - - - - OPTIONAL WIRING  
 - - - - - WIRING BY OTHERS
- ALL FIELD WIRING MUST BE DONE IN COMPLIANCE WITH ALL APPLICABLE LOCAL AND NATIONAL CODES.
- | REVISIONS |     | DIAGRAM NUMBER |
|-----------|-----|----------------|
| DATE      | LTR |                |
| Mar 16/03 | A   | T4A1A          |

## TYPICAL EVAPORATOR WIRING: FOR SINGLE MED PROFILE ELECT DEFROST EVAPORATOR- SINGLE POINT

FOR USE WITH: THREE PHASE CONDENSING UNITS WITH DEFROST TIME CLOCK, & EVAP FAN AND DEFR. HTR. CONTACTORS.

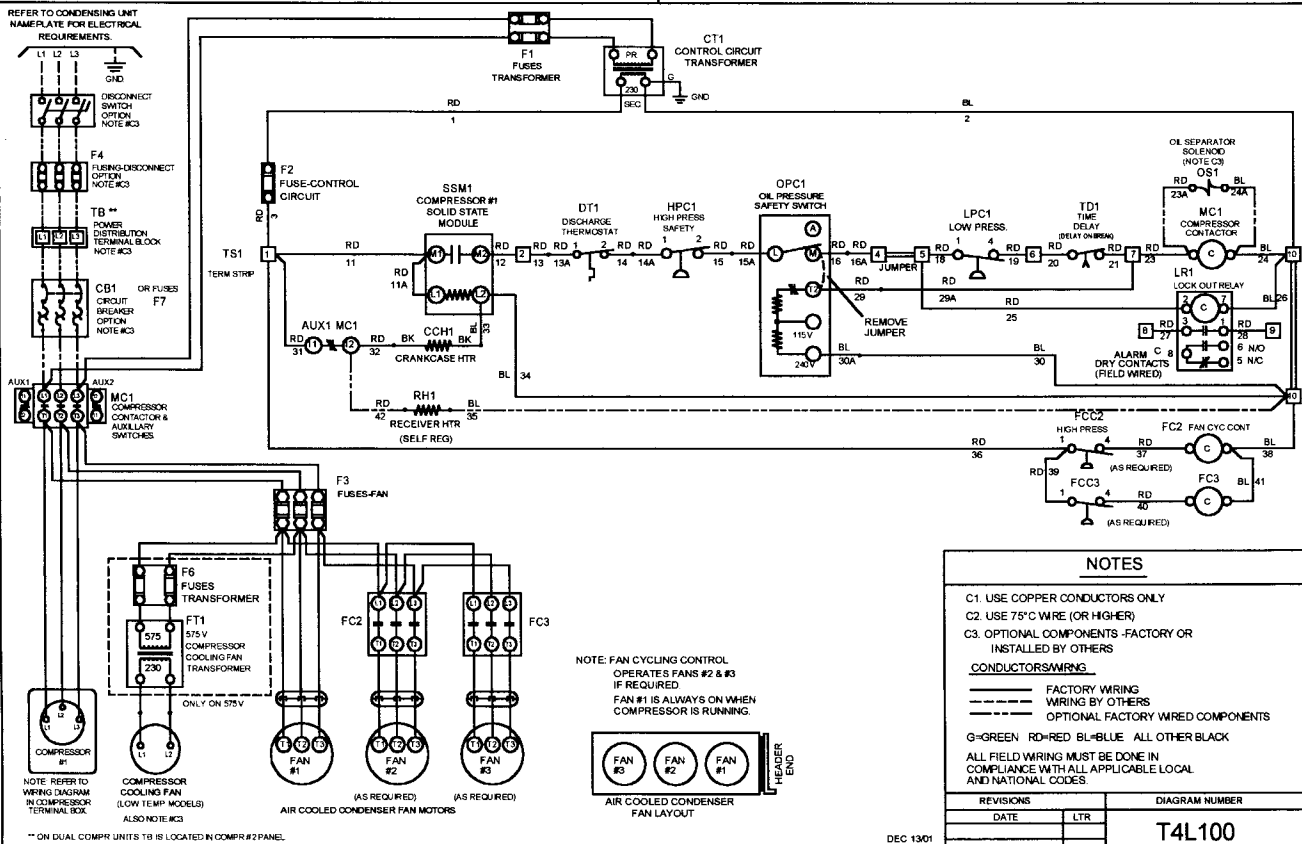


- ### NOTES
- E1. USE COPPER CONDUCTORS ONLY
  - E2. USE 75°C WIRE (OR HIGHER)
  - E3. OPTIONAL COMPONENT. MAY BE FACTORY INSTALLED IN CONDENSING UNIT OR SUPPLIED BY OTHERS.
  - E4. HEATER LOADS ARE NOT CONCURRENT WITH REFRIGERATION LOAD
  - E5. OVERCURRENT PROTECTION FOR EVAPORATOR MUST NOT EXCEED MAXIMUM VALUE SHOWN ON EVAPORATOR NAMEPLATE.
  - E6. ALL FUSES TO BE CLASS CC OR J AND VOLTAGE RATED EQUAL (OR HIGHER) THAN OPERATING VOLTAGE
- TERMINALS:  
 ○ - COMPONENT TERMINAL - MARKED  
 ○ - COMPONENT TERMINAL - UNMARKED (IDENTIFIABLE BY LOCATION)  
 ○ - COMPONENT TERMINAL - UNMARKED (UNIDENTIFIABLE)  
 □ - TERMINAL BLOCK TERMINAL  
 • - WIRE SPLICE
- CONDUCTORS/WIRING:  
 - - - - - FACTORY WIRING  
 - - - - - WIRING BY OTHERS  
 - - - - - OPTIONAL COMPONENT WIRING (SOME OPTIONAL COMPONENTS MAY BE FACTORY WIRED.)
- ALL FIELD WIRING MUST BE DONE IN COMPLIANCE WITH ALL APPLICABLE LOCAL AND NATIONAL CODES.
- | CUSTOMER           |     | DIAGRAM NUMBER |
|--------------------|-----|----------------|
| COND UNIT MODEL #  | -   |                |
| EVAPORATOR MODEL # | -   |                |
| CUSTOMER ORDER #   | -   |                |
| PRODUCTION #       | -   |                |
| REVISIONS          |     | DIAGRAM NUMBER |
| DATE               | LTR |                |
| MAR26/03           | A   | JE101          |

# Electrical Wiring Diagram – Vertical Air Flow Condensing Units

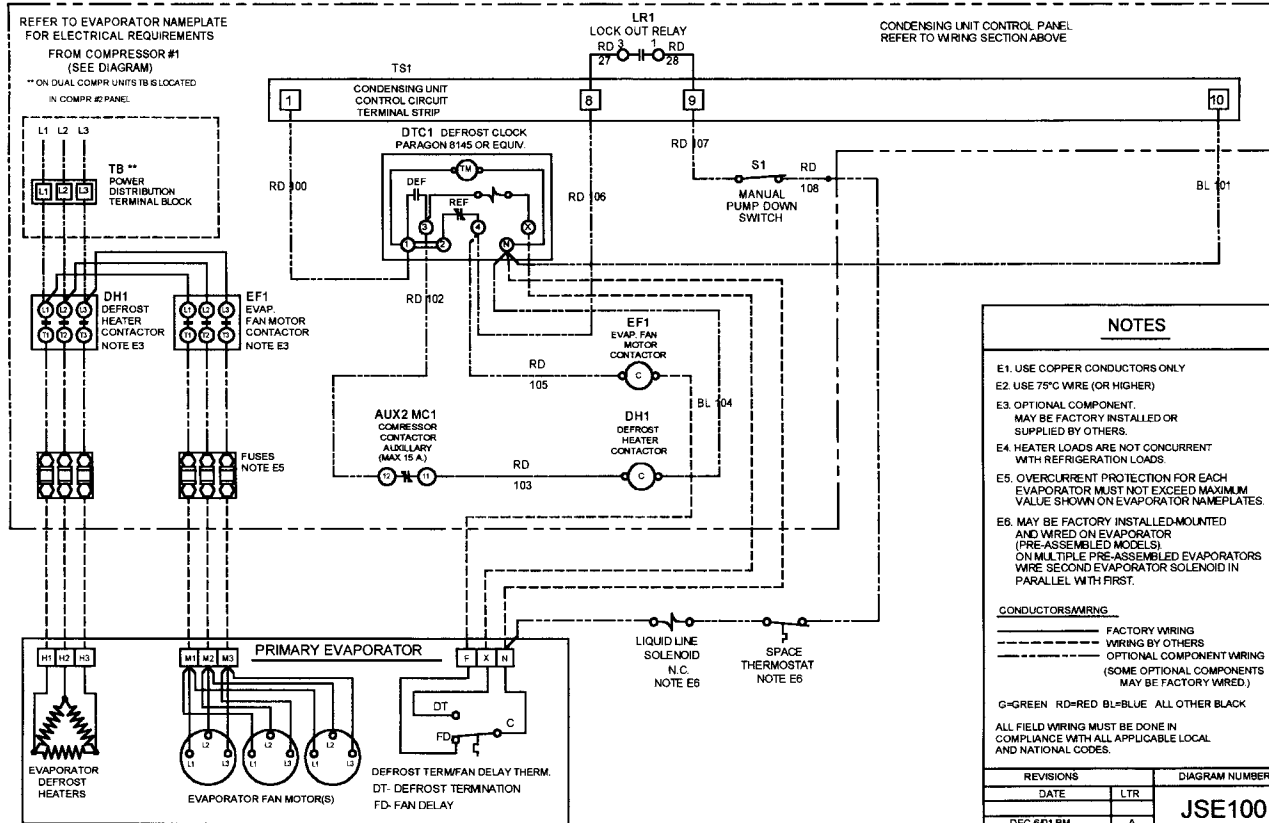
## CONDENSING UNIT WIRING DIAGRAM: COMPRESSOR #1

- 460/3/60, 575/3/60 or 380-400/3/50
- SOLID STATE MODULE COPELAND COMPRESSORS (4D-6D-8D)
- STANDARD (230 V) CONTROL CIRCUIT



## EVAPORATOR WIRING DIAGRAM: COMPRESSOR #1

- JUCC, JUCT OR BB SERIES ELECTRIC DEFROST EVAPS
- WITH DEFROST TIME CLOCK, EVAP FAN CONTACTOR AND DEFROST HEATER CONTACTOR. (ONE EVAP)



## Refrigerant Piping

### WARNING

All local codes must be observed in the installation of refrigerant piping.

### IMPORTANT PIPING NOTE

Appropriate line sizing practices must be used throughout the installation of the refrigeration system. Special consideration must be taken when the condensing unit is installed above the evaporator. **REFRIGERATION GRADE COPPER TUBING MUST BE USED FOR PIPING SYSTEMS.**

Piping practice and line sizing charts as recommended by A.S.H.R.A.E. or other reputable refrigeration standards must be followed to ensure minimum pressure drop and correct oil return. An inert gas such as dry nitrogen should be passed through the piping during welding or brazing operations. This reduces or eliminates oxidation of the copper and formation of scale inside the piping. For specific piping requirements refer to your local distributor or sales representative.

Correct line sizing is most critical because of the several factors involved:

- (a) Minimum pressure drop to ensure efficient compressor performance.
- (b) Sufficient gas velocity to maintain proper oil return to the compressor under all load conditions.
- (c) Elimination of conditions on multiple evaporators whereby oil may log in an idle evaporator.

Suction lines should be sized on the basis of a maximum total pressure drop equivalent to a 2°F (1.1°C) change in saturated temperature. At 40°F (4.4°C) suction temperature, this is approximately 3 psig (20.7 kPa) for R-22. At -20°F (-28.9°C) suction temperature, this is approximately 1.3 psig (9.0 kPa) for R-404A.

Horizontal liquid lines should be sized on a basis of a maximum pressure drop equivalent to a 2°F (1.1°C) drop in the sub-cooling temperature. If the lines must travel up vertically then adequate sub-cooling must be provided to overcome the vertical liquid head pressures. A head of two feet of liquid refrigerant is approximately equivalent to 1 psig (6.9 kPa). Liquid line velocities should not exceed 300 fpm (1.52 m/s). This will prevent possible liquid hammering when the solenoid valve closes.

### Pressure Loss of Liquid Refrigerant in Liquid Line Risers

(Expressed in Pressure Drop PSIG and Subcooling Loss °F)

Refrigerant	Liquid Line Rise in Feet									
	10'		15'		20'		25'		30'	
	PSIG	°F	PSIG	°F	PSIG	°F	PSIG	°F	PSIG	°F
R-134a	4.9	2.0	7.4	2.9	9.8	4.1	12.3	5.2	14.7	6.3
R-22	4.8	1.6	7.3	2.3	9.7	3.1	12.1	3.8	14.5	4.7
R-404A, R-507	4.1	1.1	6.1	1.6	8.2	2.1	10.2	2.7	12.2	3.3

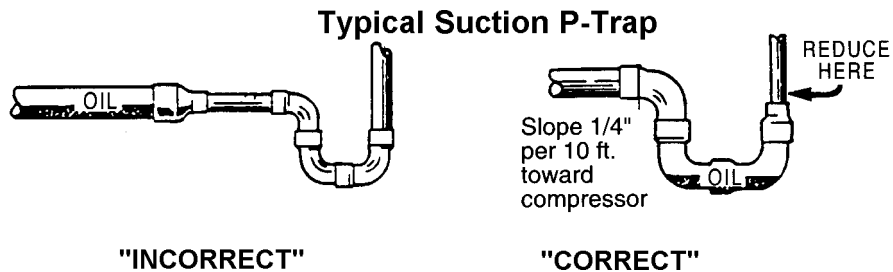
Refrigerant	Liquid Line Rise in Feet							
	40'		50'		75'		100'	
	PSIG	°F	PSIG	°F	PSIG	°F	PSIG	°F
R-134a	19.7	8.8	24.6	11.0	36.8	17.0	49.1	23.7
R-22	19.4	6.2	24.2	8.0	36.3	12.1	48.4	16.5
R-404A, R-507	16.3	14.1	20.4	5.6	30.6	8.3	40.8	11.8

Based on 110 °F liquid temperature at bottom of riser.

At the temperatures encountered in the condenser, receiver and liquid line a certain amount of oil is always being circulated with the refrigerant through the system by the compressor. However, at the evaporator temperature, and with the refrigerant in a vapor state, the oil and refrigerant separate. This oil can only be returned to the compressor by gravity or by entrainment in the suction gas. Roof installations leave no alternative but by entrainment for oil return, so suction gas velocity and correct line sizing to maintain this velocity are imperative. Care must be taken not to oversize the suction line in the desire for maximum performance.

**Gas velocity in vertical suction lines must not be less than 1,000 fpm (5 m/s) and preferably 1,250 to 1,500 fpm (6 to 8 m/s).**

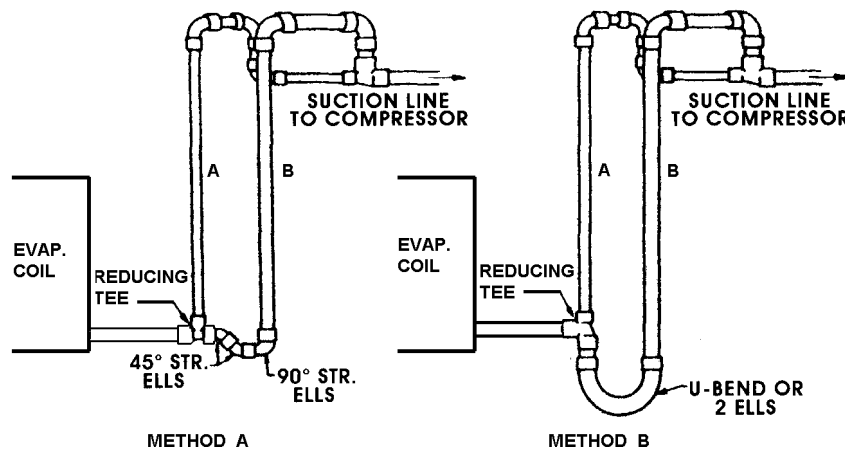
**Important:** A suction trap must be installed at the base of all suction risers of four (4) feet or more in order to trap oil and allow entrainment in the suction gas.



### IMPORTANT PIPING NOTE

If steps of capacity control are supplied on a compressor, provisions must be made for oil return by sizing suction risers to maintain adequate gas velocities at reduced refrigerant flow.

### Typical Double Riser Construction



During the lower capacity running mode (compressor capacity control energized) oil will collect in the elbow or at U-bend below pipe "B". This will divert the gas and oil to flow up the smaller pipe "A" at a higher velocity.

**IMPORTANT:** When welding service valves or any components that may be damaged by heat, manufacturer's installation instructions must be adhered to. Wrapping components with a wet cloth will help to prevent damage from heat.

**IMPORTANT:** All suction lines outside of the refrigerated space must be insulated.



## Water-Cooled Condensers

### WARNING

All water and drain connections to the unit must be made in accordance with national as well as local plumbing codes and by-laws.

Cooling water circuits in some shell and tube water-cooled condensers may be either series or parallel as required by the particular application. The "series" flow is usually for city water where lower entering water temperatures exist and higher-pressure drops can be tolerated (such as city water supplies). The "parallel" circuit flows are usually required when the water temperatures enter at 85°F (29.4°C) or higher requiring lower water pressure drops (such as closed loop cooling tower supplies).

On some condensers, the water circuiting may be entirely internal with only an inlet and outlet water fitting. The water inlet is always at the bottom connection.

All water-cooled condensers require a water regulating valve that must be installed upstream of the condenser. The water-regulating valve is adjustable and is set to

provide the desired condensing pressure. As the condensing pressure rises, the valve will open and allow more water to flow. As the condensing pressure lowers the valve will start to close to reduce the amount of water flow into the condenser. If water supply pressure is excessive, a pressure-reducing valve must be used since the allowable working pressure of water valves and condensers is normally 150 psig (1136 kPa). Typical condensing temperatures normally range between 90 to 110 °F. The actual water inlet temperature and water supply flow capacity available at the site determines the suitable condensing temperature. Lower inlet water temperatures (below 70 °F) allow the condensing unit to run at a lower condensing temperature without resulting in a high water flow rate (consumption). Higher water inlet temperatures (above 85 °F) require the condensing temperature to be higher to avoid excessive water flow rates. Refer to the water flow rate chart to estimate the flow rate (GPM-US gallon per minute) at given water temperatures and loads. The TD (temperature difference) is the difference between the condensing temperature and the water inlet temperature.

**Example:** Given 80 °F inlet water available, +25 °F evaporating temperature application and 1 ton (12,000Btuh) evaporator load. The results are:

20 °F TD = 100 °F Cond.Temp., series flow is  $.148 \times 12 = 1.78$  GPM, parallel flow =  $.185 \times 12 = 2.22$  GPM

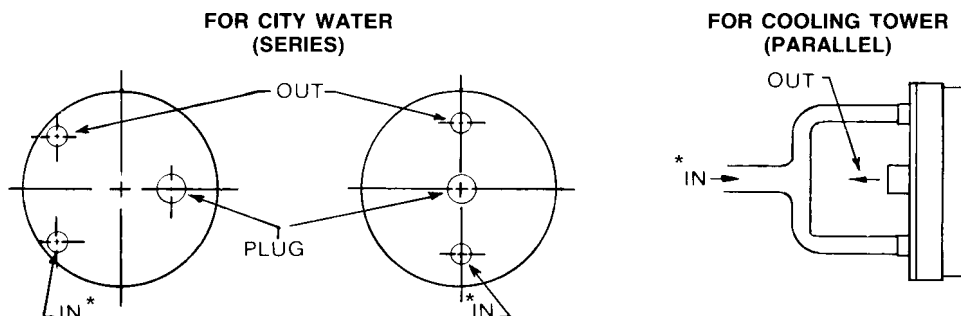
30 °F TD = 110 °F Cond.Temp., series flow is  $.103 \times 12 = 1.24$  GPM, parallel flow =  $.128 \times 12 = 1.54$  GPM

Knowing the GPM you can estimate the pressure drop through the condenser (and compressor, if with body coil). Refer to the Typical Pressure Drop tables and use the appropriate flow to estimate the resulting pressure drop. If using a condenser that has only ONE water circuit (two connections) use the "parallel" column on the GPM flow rate chart.

**Care should be exercised in locating the condensing unit so that the condenser will never be exposed to temperatures below freezing.**

Excessive water velocities or cavitation on the waterside of the condenser tubes may damage a water-cooled condenser. In order to prevent operating difficulties, care should be taken to follow the instructions outlined below:

- (a) Water velocities through the condenser should not exceed 7 fps (2.13 m/s). Higher velocities can result in "impingement corrosion". In order to maintain water velocities at an acceptable level, parallel circuiting of the condenser may be necessary when high water flow is required.
- (b) If a water-circulating pump is used, it should be installed so that the condenser is fed from the discharge side of the pump.



\* From compressor cooling coil (if equipped) and water regulating valve

- (c) If the condenser is installed more than 5 ft (1.52 m) higher than the outlet drain point of the condenser, a vacuum breaker or open vent line should be provided to prevent the outlet line from creating a partial vacuum condition.

**CONSULT THE FACTORY OR LOCAL SALES REPRESENTATIVE FOR FURTHER INFORMATION.**

**WATER FLOW REQUIREMENTS**  
(Gallon Per Minute Per 1 MBH Evaporator Load)

**HIGHER WATER FLOW RATES**

<b>20 ° TD (Condensing Temperature - Entering Water Temperature)</b>						
<b>Evaporating Temperature</b>	<b>SERIES</b>			<b>PARALLEL</b>		
	<b>Condensing Temperature</b>			<b>Condensing Temperature</b>		
	<b>90 °F</b>	<b>100 °F</b>	<b>110 °F</b>	<b>90 °F</b>	<b>100 °F</b>	<b>110 °F</b>
<b>45</b>	0.135	0.137	0.142	0.168	0.172	0.175
<b>25</b>	0.144	0.148	0.153	0.179	0.185	0.189
<b>15</b>	0.148	0.153	0.158	0.185	0.192	0.197
<b>-10</b>	0.167	0.173	0.182	0.208	0.217	0.225
<b>-30</b>	0.183	0.190	0.200	0.227	0.237	0.250

**LOWER WATER FLOW RATES**

<b>30 ° TD (Condensing Temperature - Entering Water Temperature)</b>						
<b>Evaporating Temperature</b>	<b>SERIES</b>			<b>PARALLEL</b>		
	<b>90 °F</b>	<b>100 °F</b>	<b>110 °F</b>	<b>90 °F</b>	<b>100 °F</b>	<b>110 °F</b>
<b>45</b>	0.092	0.093	0.095	0.113	0.115	0.118
<b>25</b>	0.097	0.100	0.103	0.121	0.125	0.128
<b>15</b>	0.100	0.103	0.107	0.125	0.130	0.133
<b>-10</b>	0.113	0.118	0.123	0.142	0.147	0.153
<b>-30</b>	0.123	0.128	0.135	0.153	0.160	0.168

**Typical Pressure Drops (PSIG) Condensers**

<b>Model (HP)</b>	<b>Flow (GPM)</b>	<b>Pressure Drop</b>		<b>Water Valve Size</b>
		<b>Series</b>	<b>Parallel</b>	
<b>1, 1 1/2, 2</b>	1		0.6	1/2
	2		2	
	3		4.2	
<b>3, 3 1/2, 4</b>	2	2.4	0.3	3/4
	4	8.7	1.2	
	6	18.6	2.5	
<b>5, 6</b>	2	2.7	0.4	1
	4	9.9	1.4	
	6	21	2.9	
<b>7 1/2, 9</b>	3	2.7	0.4	1
	5	7.2	1	
	9	21	2.9	
<b>10</b>	5	2.6	0.35	1 1/4
	10	9	1.25	
	15	18	2.7	
<b>15</b>	10		0.7	1 1/4
	15		1.4	
	25		3.4	
<b>20, 25</b>	10		0.4	1 1/2
	20		1.3	
	40		4.6	
<b>30, 35, 40</b>	Consult factory for Data			

**Typical Pressure Drops (PSIG) Compressor Coil (smaller models only)**

<b>Compressor Model Family</b>	<b>Flow (GPM)</b>	<b>Pressure Drop</b>
<b>KW</b>	1	1.7
	2	6.2
	3	13.5
<b>EW / 3W</b>	1	0.5
	2	1.3
	3	2.8
	4	5.9

Larger compressor models use fans in place of water cooling coils.

## System Accessories

In order to ensure trouble free operation of the refrigeration system it is important that the following system accessories be reviewed and installed.

- (a) A **moisture indicating LIQUID SIGHT GLASS** should be installed in the liquid line between the receiver and as close as possible to the expansion valve on the evaporator. If it is mounted on the condensing unit, it will be mounted downstream of the receiver outlet service valve and immediately after the liquid line drier. It will change color if there is moisture present in the system. It also allows the contractor to detect a shortage of refrigerant or flash gas in the liquid line. Bubbles are not normally visible in the sight glass of a properly charged system, however it is normal to see bubbles appear in the sight glass for a few minutes when the compressor starts. **Bubbles in a sight glass installed on the condensing unit must never be used as the final indicator for shortage of refrigerant in the system.**
- (b) A **LIQUID LINE FILTER DRIER** (sealed or replaceable core) should be installed in the system to remove foreign matter and moisture that may have entered the system during installation. Liquid line driers should be installed downstream of the receiver outlet valve and upstream of the liquid line solenoid valve (if supplied). Liquid line driers may or may not have access valves, depending on the size and application. They should be replaced whenever there is excessive pressure drop across the filter, or when the system becomes contaminated due to system leaks, compressor burn-outs, acid formation, or moisture accumulation as indicated by the moisture indicating sight glass. Refer to the specific manufacturer's recommendation for servicing.
- (c) A **DISCHARGE MUFFLER** may be used to help minimize the noise created in the discharge line of the compressor. This noise may be the result of variations in piping configuration, the pattern of the gas flow, line sizes, operating pressures or compressor and unit mounting. A particular combination of gas flow and piping will result in a resonant frequency, which may amplify the sound and vibration to an undesirable level. Gas pulsations from the compressor discharge may also be amplified in a similar manner.
- (d) A **DISCHARGE OIL SEPARATOR** may be used with flooded systems, low temperature systems and systems with long runs of piping or other factors that tend to cause oil return problems. They help maintain oil volume levels in the compressor oil sump.
- (e) A **LIQUID LINE SOLENOID VALVE** must be installed at the evaporator. Installing a solenoid valve will allow all of the refrigerant to be pumped out of the low side (evaporator and suction line) when the thermostat has been satisfied. This reduces the risk of refrigerant migrating or flooding back to the compressor. Locating the solenoid at the evaporator (instead of the condensing unit) will minimize the pump-down time and refrigerant capacity required by the receiver.
- (f) A **SUCTION LINE FILTER** (sealed or replaceable core) when used are always installed upstream of the compressor suction service valve and any accumulators or other options that may be installed. Suction filters are equipped with "Schrader" type access valves that allow plugged filters and elements to be identified quickly when the pressure drops get too high. Refer to the specific manufacturer's recommendation for servicing.
- (g) Units equipped with spring-mounted compressors should have **VIBRATION ELIMINATORS** in both the suction and discharge lines. They minimize noise transmission and provide flexibility if it is ever necessary to remove a compressor. Vibration eliminators should be installed at ninety degrees to the vibration for best results and whenever possible, in a horizontal position, parallel to the compressor crankshaft. Suction vibration eliminators **MUST be insulated** on low temperature systems to prevent refreezing of condensate, causing expansion damage to the bellows inside the eliminator. This expansion can eventually fatigue the copper bellows causing rupture and loss of refrigerant.
- (h) A **SUCTION LINE ACCUMULATOR** is used to prevent liquid refrigerant from reaching the compressor. Liquid flood back can occur for various reasons such as a malfunctioning expansion valve, refrigerant overcharge, hot gas defrost cycle or extremely low load on the evaporator. An accumulator should be used if frost or dirt collect on the evaporator coil(s). This can reduce the heat transfer. Some suction line accumulators are equipped with a built in suction to liquid line heat exchangers. All hot gas defrost systems must use an accumulator.
- (i) A **SUCTION TO LIQUID HEAT EXCHANGER** should be used if a system requires long liquid lines from the receiver to the evaporator or if the liquid has to rise vertically upward any distance. It can help prevent excessive frosting on the compressor body and increase superheat in the suction line reducing the possibility of liquid refrigerant from returning to the compressor.
- (j) A **PHASE / VOLTAGE MONITOR** protects the system against phase loss (single phasing), phase reversal (improper sequence), high voltage and low voltage (brownouts).

## Leak Testing

**IMPORTANT:** All system piping, including the condensing unit and accessories should be thoroughly tested for leaks prior to start up and charging. The system should be initially pressurized to a maximum of 150 psig (1136 kPa) with dry nitrogen to ensure that the system is free of major leaks. With the system free of major leaks, a more detailed leak check should be performed. Discharge the initial dry nitrogen charge and add enough refrigerant to raise the system pressure up to 10 psig (170 kPa) (tracer amount). Add dry nitrogen to increase the system pressure to a maximum of 150 psig (1136 kPa). It is recommended that an electronic leak detector be used when checking for leaks because of its greater sensitivity to small leaks. As a further check it is recommended that this pressure be held for a minimum of 12 hours and then rechecked. The system must be leak free for satisfactory operation.

### **WARNING**

HFC-134a has been shown to be combustible at pressures as low as 5.5 psig (140 kPa) at 350 °F (176.7 °C) when mixed with air at concentrations more than 60% air by volume. At lower temperature, higher pressures are required to support combustion. Therefore, air should never be mixed with HFC-134a for leak detection.

### **IMPORTANT ENVIRONMENTAL NOTE**

When conventional leak detection methods are employed using HCFC or CFC tracer gas, all of the tracer gas must be reclaimed and disposed of in a proper manner.

## Evacuation and Dehydration

When the system is completely free of refrigerant leaks, an evacuation of the entire system should be completed by using a “high vacuum” pump. This evacuation, if completed correctly, will ensure long life for the system as well as elimination of moisture and non-condensable gas problems. **Moisture problems causing compressor failure will void warranty. Follow the recommended procedure carefully.**

### **CAUTION**

Do not use the refrigeration compressor to evacuate the system. Never start the compressor or perform a megger insulation test while the system is in a vacuum.

## Dehydration Procedure

Use only a “high vacuum” pump capable of drawing a vacuum of 100 microns. Change the vacuum pump oil frequently. Gauges or vacuum measuring instruments should be suitable to measure conditions at any stage of the process in order to give the operator indications of progress. For specific recommendations, refer to the vacuum pump supplier for these instruments.

Copper jumper lines should be used to interconnect both high and low-pressure sides of the system. These lines should be at least 3/8” O.D. in order to handle the light density vapor at high vacuum obtained at completion of operation. Lines smaller than 3/8” O.D. will slow down the process considerably as well as making final system vacuum questionable. The entire system temperature should be over 60 °F (16 °C) for evacuation to be effective. If the temperature is less than 60 °F (16 °C) the final vacuum should be 50 microns. Double evacuation with a “sweeping “ of dry nitrogen is recommended. First evacuation should be to at least 750-micron depth. When this point is reached, break the vacuum with refrigerant or dry nitrogen to melt any moisture, which may have frozen during the first vacuum stage.

### **IMPORTANT ENVIRONMENTAL NOTE**

When conventional leak detection methods are employed using HCFC or CFC tracer gas, all of the tracer gas must be reclaimed and disposed of in the proper manner.

Reclaim any tracer gas from the system and re-evacuate to a final vacuum of at least 100 microns at a minimum 60 °F (16 °C) system temperature. With this degree of evacuation, all moisture and non-condensables will be removed from the entire system.

## Line Insulation

After the final system leak test is complete, it is important that all refrigerant lines exposed to high ambient conditions must be insulated to reduce the heat pick-up and prevent the formation of flash gas in the liquid lines. Suction lines should be insulated with 3/4 inch wall insulation, Armstrong "Armaflex" or equal. To prevent rupture due to condensate re-freezing, all suction vibration eliminators on low temperature systems **must be completely insulated**. Liquid lines exposed to high ambient temperatures should be insulated with 1/2 inch wall insulation or better. Any insulation that is to be located in an outdoor environment should be protected from UV exposure to prevent deterioration of the insulating value.

## Refrigerant Charging

Condensing units must be charged only with the refrigerant for which they were designed. The type of refrigerant to be used is specified on the name plate of the unit. Installing a liquid line drier between the service gauge and the liquid service port when charging a unit will ensure the refrigerant supplied to the system is clean and dry. This is especially important when charging a low temperature system. Blend type refrigerants (400 series, i.e. R404A) **must not be vapor charged** unless the cylinder is completely emptied into the system.

**Weigh the refrigerant drum before and after charging in order to keep an accurate record of the weight of refrigerant put into the system.**

### **IMPORTANT REFRIGERANT CHARGING NOTE**

Overcharging a system can result in poor system performance, personal injury and / or compressor damage. **DO NOT** charge strictly by the holding capacity of the receiver. **DO NOT** assume that bubbles in a sight glass, when located at the condensing unit, indicates the system is undercharged.

**Note:** *To estimate the total system requirement, refer to the manufacturer's evaporator and condensing unit specifications on typical operating charges and include the amount for the liquid lines (see tables below). Allow an extra 10% to 15% safety factor. Ensure the receiver can handle the required charge during the pump down mode. (Refer to the condensing unit brochure pump down specifications).*

Break the vacuum by charging liquid refrigerant into the receiver side only (charge through the receiver outlet valve gauge port with the valve in the open position). Close the valve and then continue to charge through the gauge port feeding the liquid line and evaporator. Start the compressor and continue to charge.

Refrigerant may be added at the compressor through the compressor suction service valve **in gas form only**. When liquid charging is used, a liquid charging valve must be installed. While charging the system, special attention should be paid to the oil level in the compressor.

If charging to the "bubble" method (observing liquid line sight glass), always use a sight glass located directly before the TXV (thermostatic expansion valve) for the final indicator.

On units that use an adjustable flooded condenser pressure-regulating valve (Sporlan ORI-6 or ORI-10) the proper adjustment must be set. Sporlan set their controls at 120 psig (929 kPa). These controls should be re-adjusted to the following pressures:

185 psig (1377 kPa) for R-22 (2 1/2 turns in clockwise for ORI-6, 4 turns in for ORI-10)

200 psig (1480 kPa) for R-404A (3 turns in clockwise for ORI-6, 5 turns in for ORI-10)

Refer to Sporlan's installation instructions (bulletins 90-30-1 and 90-31) for further details.

**Typical Air-Cooled Condensing Unit (with Horizontal Airflow Condensers)  
Refrigerant Operating Charges (LBS) (Less Evaporator and Liquid Lines)**

Warm Ambients * (above 50 °F) ambient application		
Model HP	R-22	R-404A / R-507
1/2 H, M	2.0	1.7
1/2 L	2.0	1.7
3/4 H, M	2.4	2.1
3/4 L	2.0	1.7
1 H, M & L	3.2	2.8
1 1/2 H, L	4.2	3.7
1 1/2 M	5.1	4.4
2 H, M, L	5.1	4.4
3 H, M, L	6.5	5.7
3 1/2 M	6.1	5.3
3 1/2 L	8.3	7.2
4 H, M	7.7	6.7
4 L	8.5	7.4
5 H	7.7	6.7
5 M	13.4	11.7
6 L	11.5	10.0
7 1/2 M †	19.6	17.1
7 1/2+M †	25.5	22.2
7 1/2 L †	16.3	14.2
9 L	19.6	17.1
10 M, L	23.5	20.4
15 M, L	32.6	28.3
20 M	47.9	41.7
20 L	36.7	31.9
25 M, L	47.9	41.7
30 M, L	47.9	41.7

Cold Ambients ** (below 50 °F) (outdoor winter operation with flooded head pressure control)		
Model HP	R-22	R-404A / R-507
1/2 H, M	3.3	2.9
1/2 L	3.3	2.9
3/4 H, M	4.2	3.6
3/4 L	3.3	2.9
1 H, M & L	4.9	4.3
1 1/2 H, L	6.1	5.3
1 1/2 M	7.6	6.6
2 H, M, L	7.6	6.6
3 H, M, L	10.2	8.9
3 1/2 M	9.8	8.5
3 1/2 L	13.5	11.8
4 H, M	13.1	11.4
4 L	13.7	11.9
5 H	13.1	11.4
5 M	22.8	19.8
6 L	19.3	16.8
7 1/2 M †	28.5	24.8
7 1/2+M †	38.9	33.0
7 1/2 L †	22.8	19.8
9 L	28.5	24.8
10 M, L	38.0	33.0
15 M, L	54.3	47.2
20 M	65.3	56.8
20 L	54.3	47.2
25 M, L	72.2	62.8
30 M, L	72.2	62.8

\* Above conditions are with condenser 40 % full and receiver 10 % full.

\*\* Above conditions are with condenser flooded at between 60 - 80 % full with fan cycling where available and receiver 10 % full.

H = High temperature    M = Medium temperature    L = Low temperature

† = on KE 7.5 HP machines, use refrigerant charge indicated for 6 HP

**For R-134a charges consult factory.**

**Refrigerant Charge (LBS) for  
Liquid Lines (per 10 Feet)**

Line Size (inches)	R-134a, R-22	R-404A, R-507
3/8	0.4	0.34
1/2	0.74	0.64
5/8	1.19	1.03
7/8	2.47	2.12
1 1/8	4.22	3.61
1 3/8	6.42	5.5
1 5/8	9.1	7.8

**Typical Air-Cooled Condensing Unit (with Vertical Airflow Condensers)  
Refrigerant Operating Charges (LBS) (Less Evaporator and Liquid Lines)**

TYPE	HP	WARM AMBIENTS* AMBIENT TEMP>50F		COLD AMBIENTS**			
				AMBIENT TEMP.			
		R22	R404A	+40F	-40F	+40F	-40F
SINGLE CIRCUIT UNITS	15 H	25.7	---	30.0	47.7	---	---
	20 H	25.7	---	30.0	47.7	---	---
	25 H	31.2	---	36.3	57.9	---	---
	30 H	39.6	---	46.2	74.1	---	---
	35 H	46.8	---	46.8	83.7	---	---
	40 H	49.7	---	49.7	94.6	---	---
	50 H	64.4	---	64.4	117.8	---	---
	15 M	31.2	29.5	35.4	53.1	33.1	48.5
	20 M	31.2	29.5	35.4	53.1	33.1	48.5
	25 M	38.2	36.0	43.3	64.9	40.5	59.2
	30 M	48.3	45.6	54.9	82.8	51.3	75.6
	35 M	56.8	53.7	56.8	93.8	53.7	85.9
	40 M	62.6	58.7	62.6	107.4	58.7	97.7
	50 M	80.1	75.4	80.1	133.5	75.4	121.9
	10L	19.1	18.5	28.9	32.0	26.9	29.7
	15L	27.7	26.8	43.1	48.0	40.1	44.4
	22L	28.2	27.2	40.3	53.3	37.7	49.0
	27L	34.4	33.2	49.2	65.0	46.0	59.7
	30L	37.5	36.0	54.9	73.5	51.1	67.3
40L	51.0	49.1	73.5	97.4	68.6	89.5	
DUAL CIRCUIT UNITS	30 H	51.5	---	59.9	95.3	---	---
	40 H	51.5	---	59.9	95.3	---	---
	50 H	62.4	---	72.7	115.8	---	---
	60 H	79.2	---	92.4	148.2	---	---
	70 H	93.6	---	93.6	167.5	---	---
	80 H	99.5	---	99.5	189.2	---	---
	100 H	128.8	---	128.8	235.7	---	---
	30 M	62.4	58.9	70.8	106.2	66.2	97.0
	40 M	62.4	58.9	70.8	106.2	66.2	97.0
	50 M	76.4	72.1	86.6	129.7	81.0	118.5
	60 M	96.6	91.1	109.9	165.6	102.6	151.1
	70 M	113.6	107.4	113.6	187.6	107.4	171.7
	80 M	125.1	117.4	125.1	214.8	117.4	195.4
	100 M	160.2	150.9	160.2	267.1	150.9	243.9
	20L	38.3	36.9	57.8	64.0	53.9	59.3
	30L	55.4	53.5	86.1	95.9	80.2	88.7
	44L	56.5	54.4	80.7	106.6	75.5	98.0
54L	68.9	66.4	98.3	129.9	92.0	119.5	
60L	75.0	72.0	109.7	146.9	102.2	134.6	
80L	102.1	98.3	146.9	194.9	137.3	179.0	

These figures are guidelines only

--- Not Applicable

\* Based on condenser summer charge +receiver 15% full + sub-cooling circuit 100% full (where applicable)

\*\* Based on condenser summer charge +condensers flooded (between 60-80% full with fan cycling-- where applicable)

+receiver 15% full + sub-cooling circuit 100% full (where applicable)

## Compressor Oils

Check to see that the oil level is 1/8 to 1/3 up on the compressor sight glass on compressors so equipped before starting the compressor and after 15 to 20 minutes of operation.

**CAUTION:** Oil levels should not be allowed to go above the centre or 1/2 of the sight glass. Excessive oil levels in the compressor can result in excessive compressor noise, higher power consumption or internal compressor damage.

**Welded hermetic compressors** normally do not have sight glasses or means of determining their oil level. This type of compressor is usually installed in packaged systems or in close proximity to the fixture.

All welded hermetic compressors are factory charged with enough oil to compensate for any piping losses up to about 35 ft (10.7 m) (one way) remote location. In the event of any substantial oil loss due to a leak or excessive line run, recharge as per the table below.

Add approximately 1/3 fl oz per foot (32 ml per meter) for any remote location over 35 ft (10.7 m). If in doubt of an actual oil level, the only positive check is to remove the compressor and drain the oil (through the suction connection) and recharge with the correct factory charge (refer to unit specifications). **DO NOT** re-use drained oil that has been exposed to the atmosphere. **DO NOT** re-fill, at any one time more than a total of 110 % of the compressor's factory specified charge. Allow time for some of the oil to circulate into the system.

### Refrigeration Oils - Copeland Semi-Hermetic Reciprocating Compressors

Lubricant Type		Traditional Refrigerants		Interims R-401A, R-401B, R402A, R-408A, R409A (MP-39, MP-66, HP-80, FX-10, FX 56)	HFC's R-134a, R-404A, R- 507, R-407C, R- 410A
		R-12	R-22, R-502		
<b>POE's</b>	Copeland Ultra 22CC	<b>NOT ACCEPTABLE</b>	<b>A</b>	<b>A</b>	<b>P</b>
	Mobil EAL ARTIC 22 CC		<b>A</b>	<b>A</b>	<b>P</b>
	ICI (Virginia KMP) Emkarate RL 32CF		<b>A</b>	<b>A</b>	<b>P</b>
	Thermal Zone 22CC		<b>A</b>	<b>A</b>	<b>P</b>
<b>Mineral Oils</b>	Witco Suniso 3GS	<b>P</b>	<b>P</b>	<b>PM</b>	<b>NOT ACCEPTABLE</b>
	Texaco Capella WF32	<b>P</b>	<b>P</b>	<b>PM</b>	
	Calumet RO15 (Witco)	<b>P</b>	<b>P</b>	<b>PM</b>	
	Witco LP-200*	<b>P</b>	<b>P</b>		
	Penreco* Sontex 200-LT Shritene	<b>P</b>	<b>P</b>		
<b>A/B</b>	Copeland Ultra 200	<b>A</b>	<b>A</b>	<b>PM</b>	<b>NOT ACCEPTABLE</b>
	Shreve Zerol 200 TD	<b>A</b>	<b>A</b>	<b>PM</b>	
	Soltex AB200A	<b>A</b>	<b>A</b>	<b>PM</b>	
	Thermal Zone 200	<b>A</b>	<b>A</b>	<b>PM</b>	
<b>A/B M/O Mix</b>	Shell 22-12	<b>A</b>	<b>A</b>	<b>P</b>	<b>NOT ACCEPTABLE</b>
	Witco R-195-0	<b>A</b>	<b>A</b>	<b>P</b>	

Legend P = Preferred Lubricant Choice

A = Acceptable Alternative

M = Mixture of Mineral Oil and AlkylBenzene

\* BR, QR and Scroll A/C applications

(AB) with 50 % AB.



**Refrigeration Oils--Bitzer Semi-Hermetic Reciprocating Compressors:  
2KC-05.2(Y) to 6F-50.2(Y)**

Lubricant Type		(H)CFC R-22	Interim Blends R-401A, R-401B, R-402A, R-408A, R-409A, (MP-39, MP-66, HP-80, FX-10, FX56)	HFC's R-134a, R-404A, R-507, R-407C
Polyol Ester	ICI (Virgina KMP) Emkarate RL32S	A*	A*	P
	Mobil EAL Arctic 32	A*	A*	P
	Castrol Icematic SW32	A*	A*	P
Mineral Oils	Suniso 3GS	A	A	Not Acceptable
	Suniso 4GS	A	A	
	Capella Oil WF32	A	A	
	Capella Oil WF68	A	A	
	Esso Zerice R68	A	A	
Alkyl Benzene	Zerol 150	P	P	Not Acceptable
	Zerol 300	P	P	
	Icematic 2284	P	P	
	Esso Zerice S46	P	P	
	Esso Zerice S68	P	P	
A/B M/O Mix	Shell Clavus SD 2212	P	P	Not Acceptable
	Esso Zerice R46	A	A	

Legend: P = Preferred A= Acceptable Alternative

- Compressor with "Y" designation are factory charged with polyolester oil
- \* NOTE: When operating (H)CFC with ester oils the quantity of refrigerant dissolved in the oil is more than doubled as compared with conventional lubricants. Special care should be taken. Refer to Bitzer Technical Bulletin KT-510-2, section 5 for additional information.

**Refrigeration Oils--Carlyle Semi-Hermetic Reciprocating Compressors:  
06D/E and 06CC**

Lubricant Type		(H)CFC R-22	HFC's R-134a, R-404A, R-507, R-407C
Polyol Ester	Totaline P903-1001,1701	Not Approved	A
	Castrol E68		A
	ICI Emkerarate RL68H		A
	CPI CP-2916S		A
	CPI Solest 68		A
	BP Marine Enersyn MP-S68		A
Mineral/Alkyl Benzene	Witco Suniso 3GS	A	Not Approved
	Totaline P903-2001	A	
	Texaco Capella Oil WFI-32-150	A	
	IGI Cryol -150	A	
	Shrieve Zerol-150	A	

A = Approved  
Some restrictions may apply. For further information consult Carlyle factory or Carlyle web site.

**Due to the extreme hygroscopic (moisture absorbing) characteristics of Polyol Ester (POE) oils, systems MUST NEVER be left open to the atmosphere for any extended period of time. Simply pulling a deep vacuum on the system during the evacuation and dehydration procedure WILL NOT remove moisture that is absorbed into POE oils.**

## System Start-up Check List

### IMPORTANT START-UP NOTE

Only a qualified refrigeration mechanic who is familiar with compressor performance and the function and adjustment of all controls and components should start up the compressor. Finishing up work on the installations should be planned so that a qualified mechanic is on the job for at least the first full day that the unit is in operation.

Before any refrigeration system is started, the following items should be checked:

- (1) Check that all electrical and refrigeration connections are tight.
- (2) Check compressor crankcase oil level (if equipped with sight glass). It should be from 1/8 to 1/2 full in the sight glass.
- (3) Insure that compressor shipping spacers (spring mounted compressors) or hold down nut (solid mounted compressors) are properly in place.
- (4) Check that the compressor discharge and suction shut-off valves are open.
- (5) Ensure that the high and low pressure controls (see table below) pressure regulating valves, oil pressure safety controls and any other safety controls are adjusted properly.
- (6) Check that the room thermostat is set for normal operation and adjust if required.
- (7) Check all motors, fans and pump bearings in the condenser and evaporator. If they are the type that require oil or grease, make sure that this is attended to in accordance with the tag, which will be attached. Fan blades and pumps should be checked for correct rotation, tightness and alignment. Air should draw air through the condenser (air cooled condensing unit models).
- (8) Electric and hot gas evaporator fan motors should be temporarily wired for continuous operation until the room temperature has stabilized.
- (9) Observe the system pressures during the charging and initial operation process. **DO NOT** add oil while the system is low on refrigerant charge unless the oil level is dangerously low.
- (10) Continue to charge the system until it has enough charge for proper operation. **DO NOT OVERCHARGE THE SYSTEM.** Note that bubbles in the sight glass may not necessarily mean a shortage of refrigerant. It could be caused by a restriction.
- (11) **DO NOT** leave the system unattended until the system has reached its normal operating condition and the oil charge has properly adjusted itself to maintain the proper level in the sight glass.
- (12) Compressor performance, and that of all of the moving components, should be watched carefully throughout the first operating cycle and then checked periodically during the first day of operation. **Careful attention to details at this time will pay dividends in trouble-free performance of the entire system.**
- (13) Check that the wiring diagrams, instructions bulletins etc. are read and attached to the unit for future reference. Ensure that the Warranty Activation Certificate is filled in and either faxed or mailed back to the number or address provided.

### CAUTION

Extreme care must be used when starting a compressor for the first time after the system has been charged. During this time liquid refrigerant may have migrated to the compressor crankcase, creating a condition that could cause the compressor damage due to slugging. Energizing a crankcase heater (if so equipped) 24 hours prior to start-up is recommended. If the compressor is not equipped with a crankcase heater, directing a 500 watt heat lamp or other safe heat source on the lower shell or crankcase of the compressor for approximately thirty minutes is recommended.

### WARNING

Three phase scroll compressors must be checked for correct rotation. During the initial start up, observe the suction and discharge gauges to ensure the suction pressure drops and the discharge pressure rises.

## Pressure Control Settings

Minimum Temperature °F *	R-134a		R-22		R-404A, R-507	
	Cut-in (PSIG)	Cut-out (PSIG)	Cut-in (PSIG)	Cut-out (PSIG)	Cut-in (PSIG)	Cut-out (PSIG)
50	35	5	70	20	85	30
40	25	5	55	20	70	30
30	17	5	40	20	50	30
20	12	0	30	10	40	20
10	7	5" Hg	20	0	30	10
0	5	5" Hg	15	0	20	5
-10	-	-	15	0	15	0
-20	-	-	10	0	10	0
-30	-	-	10	0	6	3" Hg

\* The coldest Temperature of either the fixture or outdoor ambient.

## High Pressure Control Settings

Refrigerant	Maximum Cut-out (PSIG)	
	Air-Cooled Units	Water Cooled Units
R-134a	250	200
R-22	370	315
R-404A	400	315

## Low Temperature Room Pull-Down

It can take up to two weeks to properly start-up and pull-down a large freezer. Large freezers should be pull-down to temperature in stages. Too fast a pull-down can cause structural problems in pre-fabricated rooms and will damage (crack) concrete floors. Reduce room temperature by 10 to 15 °F (5.6 to 8.4 °C) per day. Hold this temperature for 24 to 48 hours at 35 °F (1.7 °C) and again at 25 °F (-3.9 °C). Monitor the amount of defrost water during this pull down stage.

Once the room is pulled down to temperature, expect frost on the compressor end bell and any exposed suction line. A lack of frost in these areas probably indicates too high of suction superheat. Reduce defrost frequency to 30 minutes every 6 hours if possible. Adjust the defrost termination (and time clock) so that the coil and drain pan are **COMPLETELY** free of frost / ice at termination. Too short of a defrost cycle will allow residual ice to grow. Too long of a defrost will allow the coil(s) to steam at the end of the cycle. The steam will condense and freeze fans, fan guards and create frosting on the ceiling of the room. The evaporator fan delay must allow any condensate left on the coil surface to refreeze before the fans start.

## Checking Superheat

### IMPORTANT SYSTEM BALANCING NOTE

To obtain maximum system capacity and insure trouble free operation it is necessary to check both the compressor and evaporator superheat.

### Compressor Superheat

Compressor suction superheat must be checked. To check the superheat at the compressor the following steps should be followed:

- (1) Measure the suction pressure at the suction service valve of the compressor. Determine the saturated temperature corresponding to this pressure from a "Pressure- Temperature" chart.
- (2) Measure the suction temperature of the suction line about 6 inches (15 cm) back from the compressor suction valve using an accurate thermometer.
- (3) Subtract the saturated temperature (from step 1) from the actual suction line temperature (from step 2). This difference is the **actual superheat at the compressor**.

System capacity decreases as the suction superheat increases. For maximum system capacity, the suction superheat should be kept as low as is practical. The superheat at the compressor should range within 20 to 45 °F (11.2 to 25.2 °C) Superheat.

**NOTE:** Too low of a suction superheat can result in liquid being returned to the compressor. This can cause dilution of the oil and eventually cause failure of the bearings and rings through wash out as well as liquid slugging.

**NOTE:** Too high of a suction superheat will cause excessive discharge temperatures which cause a break down of the oil and will result in piston ring wear, piston and cylinder wall damage.

If adjustment to the suction superheat is required, it should be done either by adjusting the thermostatic expansion valve at the evaporator, the use of liquid to suction heat exchanger or suitable use of suction line insulation.

### Evaporator Superheat

**Once the refrigerated space is at its design temperature or close to design temperature**, the evaporator superheat must be checked. To check the suction superheat at the evaporator the following steps should be followed:

- (1) Measure the suction pressure in the suction line at the bulb location by either,
  - (a) A gauge in the external equalizer line will indicate the pressure directly and accurately.
  - (b) A gauge directly in the suction line near the evaporator or directly in the suction header will suffice.
- (2) Measure the temperature of the suction line at the point where the thermostatic expansion valve bulb is clamped to the suction line.
- (3) Convert the pressure obtained in step 1 above to a saturated evaporator temperature from a "Pressure- Temperature" chart.
- (4) Subtract the saturated temperature (from step 1) from the actual suction line temperature (from step 2). This difference is the **actual superheat at the evaporator**.

The superheat at the evaporator should be a minimum of 6 to 10 °F (3.4 to 5.6 °C) for systems with a 10 °F (5.6 °C) design TD (temperature difference) to a maximum of 12 to 15 °F (6.7 to 8.4 °C) for systems with a higher operating TD.

Low temperature applications (freezers) should be set at superheats of 4 to 6 °F (2.2 to 3.4 °C).

TD = Box temperature – evaporating temperature.

## System Operational Check List

When the system has been running trouble free for an extended time (two weeks or more) and design conditions are satisfied, the following check list should be followed:

- (1) Check that compressor **discharge and suction pressures** are operating within the allowable design limits for the compressor. If not, take the necessary corrective action.
- (2) Check the liquid line sight glass and expansion valve operation. If there is an indication that the system is low on refrigerant, thoroughly **check the system for leaks before adding refrigerant**.
- (3) Check the **level of the oil** in the compressor sight glass (if so equipped). Add oil as necessary.
- (4) The thermostatic expansion valve must be checked for **proper superheat settings**. The sensing bulb must have positive contact with the suction line and should be insulated. Valves operating at a high superheat setting results in low refrigeration capacity. Low superheat settings can cause liquid slugging and compressor bearing washout. (Refer to the section on compressor and evaporator superheats)
- (5) Check the **voltage and amperage** readings at the compressor terminals. Voltage reading must be within the recommended guidelines. Normal operating amperages can be much lower than the compressor nameplate values.
- (6) To check the **high pressure control setting** it is necessary to build up the head pressure to the cut-out point of the control. This can be done by stopping the condenser fan(s) (air cooled condensing units) or pump and watching the pressure rise on a high pressure gauge to make sure the high pressure control is operating at the setting.
- (7) Check the **low pressure settings** by throttling the compressor shut-off valve and allowing the compressor to pump down. This operation must be done with extreme caution to avoid too sudden a reduction in crankcase pressure, which will cause oil slugging and possible damage to the compressor valves. Close the valve a turn at a time while watching the compound gauge for change and allowing time for the crankcase pressure to equalize with the pressure control bellows pressure. The slower the pressure is reduced, the more accurate will be the check on the pressure control setting.
- (8) Recheck all **safety and operating controls** for proper operation and adjust as necessary.
- (9) Check **defrost controls for initiation and termination settings**, and the length of defrost period. Set the fail safe on the time clock at the length of defrost plus 25 %.
- (10) If the system is equipped with winter head pressure controls (fan cycling or flooded valves), **check for operation**.
- (11) Fill in the **Service Log** in the back of this Installation Manual.

## System Troubleshooting

The following System Troubleshooting Guide lists the most common types of malfunctions encountered with refrigeration systems. These simple troubleshooting techniques can save time and money minimizing unnecessary downtime and end-user dissatisfaction.

**Contact the factory or your local sales representative for further information or assistance.**

<b>System Troubleshooting Guide</b>	
<b>Condensing Unit Problem</b>	<b>Possible Causes</b>
Compressor will not run. Does not try to start.	<ol style="list-style-type: none"> <li>1. Main power switch open.</li> <li>2. Fuse blown or tripped circuit breaker.</li> <li>3. Thermal overloads tripped.</li> <li>4. Defective contactor or coil.</li> <li>5. System shut down by safety devices.</li> <li>6. Open thermostat or control. No cooling required.</li> <li>7. Liquid line solenoid will not open.</li> <li>8. Loose wiring.</li> </ol>
Compressor hums, but will not start.	<ol style="list-style-type: none"> <li>1. Improperly wired.</li> <li>2. Low line voltage.</li> <li>3. Loose wiring.</li> <li>4. Defective start or run capacitor.</li> <li>5. Defective start relay.</li> <li>6. Motor windings damaged.</li> <li>7. Internal compressor mechanical damage.</li> </ol>
Compressor starts, but trips on overload protector.	<ol style="list-style-type: none"> <li>1. Improperly wired.</li> <li>2. Low line voltage.</li> <li>3. Loose wiring.</li> <li>4. Defective start or run capacitor.</li> <li>5. Defective start relay.</li> <li>6. Excessive suction or discharge pressure.</li> <li>7. Tight bearings or mechanical damage in compressor.</li> <li>8. Defective overload protector.</li> <li>9. Motor windings damaged.</li> <li>10. Overcharged system.</li> <li>11. Shortage of refrigerant.</li> <li>12. Suction or discharge pressure too high.</li> <li>13. Inadequate ventilation.</li> <li>14. Operating system beyond design conditions.</li> </ol>
Compressor short cycles.	<ol style="list-style-type: none"> <li>1. Low pressure control differential set too low.</li> <li>2. Shortage of refrigerant.</li> <li>3. Low airflow at evaporator(s).</li> <li>4. Discharge pressure too high.</li> <li>5. Compressor internal discharge valves leaking.</li> <li>6. Incorrect unit selection (oversized).</li> </ol>
Start relay burns out.	<ol style="list-style-type: none"> <li>1. Improperly wired.</li> <li>2. Low or high line voltage.</li> <li>3. Short cycling.</li> <li>4. Improper mounting of relay.</li> <li>5. Incorrect start or run capacitor.</li> <li>6. Incorrect relay.</li> </ol>
Contact welded stuck on start relay	<ol style="list-style-type: none"> <li>1. Short cycling.</li> <li>2. No bleed resistor on start capacitor.</li> </ol>
Start capacitor burns out	<ol style="list-style-type: none"> <li>1. Improperly wired.</li> <li>2. Short cycling.</li> <li>3. Low line voltage.</li> <li>4. Relay contacts sticking.</li> <li>5. Incorrect capacitor.</li> <li>6. Start winding remaining in circuit for prolonged period.</li> </ol>

<b>Condensing Unit Problem</b>	<b>Possible Causes</b>
Compressor noisy or vibrating.	<ol style="list-style-type: none"> <li>1. Flood back of refrigerant.</li> <li>2. Improper piping support on the suction or discharge lines.</li> <li>3. Broken or worn internal compressor parts.</li> <li>4. Incorrect oil level.</li> <li>5. Scroll compressor rotating in reverse (three phase).</li> <li>6. Improper mounting on unit base.</li> </ol>
Discharge pressure too high.	<ol style="list-style-type: none"> <li>1. Non-condensables in the system.</li> <li>2. System overcharged with refrigerant.</li> <li>3. Discharge service valve partially closed.</li> <li>4. Condenser fan not running.</li> <li>5. Dirty condenser coil.(air-cooled condensers)</li> <li>6. Dirty tubes. .(water-cooled condensers)</li> <li>7. Defective or improperly set water regulating valve. (water-cooled condensers)</li> <li>8. Defective or improperly set flooded head pressure control.</li> </ol>
Discharge pressure too low.	<ol style="list-style-type: none"> <li>1. Low suction pressure.</li> <li>2. Cold ambient air.</li> <li>3. Suction service valve partially closed.</li> <li>4. Shortage of refrigerant.</li> <li>5. Defective or improperly set water regulating valve. (water-cooled condensers)</li> <li>6. Defective or improperly set flooded head pressure control.</li> </ol>
Suction pressure too high.	<ol style="list-style-type: none"> <li>1. Excessive load.</li> <li>2. Compressor internal valves broken.</li> <li>3. Incorrect unit selection (undersized).</li> <li>4. Improper TXV bulb charge.</li> </ol>
Suction pressure too low.	<ol style="list-style-type: none"> <li>1. Shortage of refrigerant.</li> <li>2. Evaporator dirty or iced up.</li> <li>3. Clogged liquid line filter drier.</li> <li>4. Clogged suction line filter or compressor suction strainers.</li> <li>5. Expansion valve malfunctioning.</li> <li>6. Condensing temperature too low.</li> <li>7. Improper TX valve selection.</li> <li>8. Evaporator distributor feed problems.</li> </ol>
Low or no oil pressure.	<ol style="list-style-type: none"> <li>1. Low oil level. (trapped oil in evaporator or suction line)</li> <li>2. Clogged suction oil strainer.</li> <li>3. Excessive liquid refrigerant in the crankcase.</li> <li>4. Worn oil pump.</li> <li>5. Oil pump reversing gear sticking in the wrong position.</li> <li>6. Worn bearings.</li> <li>7. Loose fitting on oil line.</li> <li>8. Pump housing gasket leaking.</li> </ol>
Compressor loses oil.	<ol style="list-style-type: none"> <li>1. Refrigerant leak.</li> <li>2. Short cycling.</li> <li>3. Excessive compressor ring blowby.</li> <li>4. Refrigerant flood back.</li> <li>5. Improper piping or traps.</li> <li>6. Trapped oil in evaporator.</li> </ol>
Compressor runs continuously	<ol style="list-style-type: none"> <li>1. Excessive load.</li> <li>2. Too low of a system thermostat setting or defective thermostat.</li> <li>3. Shortage of refrigerant.</li> <li>4. Leaking compressor internal valves.</li> <li>5. Malfunctioning liquid line solenoid.</li> <li>6. Incorrect unit selection (undersized).</li> </ol>

## System Troubleshooting Guide

Fixture Problem	Possible Causes
Room temperature too high.	<ol style="list-style-type: none"> <li>1. Defective room thermostat or improper differential / setting.</li> <li>2. Malfunctioning liquid line solenoid valve.</li> <li>3. Insufficient air across evaporator coil (iced up coil, product blocking evaporator, fan blade / motor problem).</li> <li>4. Improper evaporator superheat (low refrigerant charge, plugged TXV strainer, poor TXV bulb contact, incorrect TXV setting).</li> <li>5. Malfunctioning condensing unit.</li> </ol>
Room temperature too low.	<ol style="list-style-type: none"> <li>1. Defective room thermostat or improper differential / setting.</li> <li>2. Malfunctioning liquid line solenoid valve.</li> </ol>
Ice accumulating on ceiling.	<ol style="list-style-type: none"> <li>1. Defrost on too long (improper setting / defective termination thermostat, improper setting / defective time clock).</li> <li>2. Too many defrosts per day.</li> <li>3. Fans not delayed after defrost (improper setting / defective fan delay thermostat).</li> </ol>
Evaporator coil not clear of ice after defrost.	<ol style="list-style-type: none"> <li>1. Defrost on too short (improper setting / defective termination thermostat, improper setting / defective time clock).</li> <li>2. Electric heaters defective / miswired / low voltage.</li> <li>3. Not enough defrosts per day.</li> <li>4. Air defrost evaporator operating at too low of temperature (require electric defrost).</li> <li>5. Defective / miswired interlock at compressor contactor.</li> <li>6. Defective defrost contactor or coil.</li> </ol>
Ice building up in drain pan.	<ol style="list-style-type: none"> <li>1. Improper slope in pan.</li> <li>2. Blocked drain line (unheated , not insulated).</li> <li>3. Electric heater in drain pan defective / miswired / low voltage).</li> <li>4. Not enough defrosts per day.</li> <li>5. Lack of or improper P-trap in drain line.</li> </ol>
Evaporator fans will not operate.	<ol style="list-style-type: none"> <li>1. Main power switch open.</li> <li>2. Fuse blown or tripped circuit breaker.</li> <li>3. Defective contactor or coil.</li> <li>4. Room temperature too high (fan delay thermostat open).</li> <li>5. Fan delay thermostat improper setting / defective.</li> <li>6. Defective fan motor (low voltage / tripped on thermal overload).</li> <li>7. Defective time clock.</li> <li>8. Normal mode during defrost cycle (electric defrost type evaporator).</li> </ol>

### IMPORTANT TROUBLESHOOTING NOTE

Before any components are changed on the refrigeration system, the cause of the failure must be identified. Further problems will exist unless the true cause or problem is identified and corrected.



## **Customer Instructions**

Completely fill in Warranty Activation Certificate **located inside of the back cover** of this Installation and Maintenance Manual. The top (white) copy should be faxed or mailed per the instructions on this form. The (pink) copy is for the installing contractor's files and the (yellow) copy is to be left attached inside of the Installation and Maintenance Manual for the owner / end user's future reference.

Give the owner / end user instructions on normal operation of the system. Explain electrical characteristics, location of disconnect switches as well as other safety precautions. Advise on keeping equipment area clean and free of debris. If system has operational features, point these out to the operator.

## **Maintenance Program**

In order to ensure that the refrigeration system runs trouble free for many years, a follow-up maintenance program (consisting of a minimum of two inspections per year) should be set up. A qualified refrigeration service mechanic should carry out this semi-annual inspection. The main power supply **must be disconnected and locked off** to avoid accidental start up of the equipment.

- (1) Check electrical components and tighten any loose connections.
- (2) Check all wiring and electrical insulators.
- (3) Check contactors to ensure proper operation and contact point for wear.
- (4) Check that fan motors (if applicable) are operational, ensure fan blades are tight and all mounting bolts are tight.
- (5) Check oil and refrigerant levels in the system.
- (6) Ensure that the condenser surface (if applicable) is cleaned and free of dirt and debris.
- (7) Check the operation of the control system. Make certain that all of the safety controls are operational and functioning properly.
- (8) Check all refrigeration piping. Make sure that all mechanical joints and flare nuts are tight.

## **Service Parts Availability**

Genuine replacement service parts should be used whenever possible. Refer to the Service Parts List on the back cover of this Installation and Maintenance Manual or attached to the unit. Parts may be obtained by contacting your local sales representative or authorized distributor.

# FINISHED GOODS WARRANTY

The terms and conditions as described below in the General Warranty Policy cover all products manufactured by National Refrigeration.

## GENERAL WARRANTY POLICY

Subject to the terms and conditions hereof, the Company warrants all Products, including Service Parts, manufactured by the Company to be free of defects in material or workmanship, under normal use and application for a period of one (1) year from the original date of installation, or eighteen (18) months from the date of shipment from the Company, whichever occurs first. Any replacement part(s) so supplied will be warranted for the balance of the product's original warranty. The part(s) to be replaced must be made available in exchange for the replacement part(s) and reasonable proof of the original installation date of the product must be presented in order to establish the effective date of the warranty, failing which, the effective date will be based upon the date of manufacture plus thirty (30) days. Any labour, material, refrigerant, transportation, freight or other charges incurred in connection with the performance of this warranty will be the responsibility of the owner at the current rates and prices then in effect. This warranty may be transferred to a subsequent owner of the product.

## THIS WARRANTY DOES NOT COVER

(a) Damages caused by accident, abuse, negligence, misuse, riot, fire, flood, or Acts of God (b) damages caused by operating the product in a corrosive atmosphere (c) damages caused by any unauthorized alteration or repair of the system affecting the product's reliability or performance (d) damages caused by improper matching or application of the product or the product's components (e) damages caused by failing to provide routine and proper maintenance or service to the product (f) expenses incurred for the erecting, disconnecting, or dismantling the product (g) parts used in connection with normal maintenance, such as filters or belts (h) products no longer at the site of the original installation (i) products installed or operated other than in accordance with the printed instructions, with the local installation or building codes and with good trade practices (j) products lost or stolen.

**No one is authorized to change this WARRANTY** or to create for or on behalf of the Company any other obligation or liability in connection with the Product(s). There is no other representation, warranty or condition in any respect, expressed or implied, made by or binding upon the Company other than the above or as provided by provincial or state law and which cannot be limited or excluded by such law, nor will we be liable in any way for incidental, consequential, or special damages however caused.

The provisions of this additional written warranty are in addition to and not a modification of or subtraction from the statutory warranties and other rights and remedies provided by Federal, Provincial or State laws.

### Service Log

Date	Comments

# Start-up Information

**Important:** This start-up information should be completely filled in on each installation and remain with the unit as a permanent record for future reference. Future service work may be logged on the proceeding page. Service parts list are attached to the back cover. **PLEASE PRINT LEGIBLY**

Name & address of installation \_\_\_\_\_  
\_\_\_\_\_

Name, address, phone & fax # of Installing contractor \_\_\_\_\_  
\_\_\_\_\_

**Type of System (Cooler, Freezer, etc...)** \_\_\_\_\_ **Design Box Temperature** \_\_\_\_\_ °F  
**Condensing Unit** **System start-up date** \_\_\_\_\_

Unit model # \_\_\_\_\_ Unit serial # \_\_\_\_\_

Compressor model # \_\_\_\_\_ Compressor serial # \_\_\_\_\_

**Evaporator(s)** QTY \_\_\_\_\_

Unit model # \_\_\_\_\_ Unit serial # \_\_\_\_\_

Unit model # \_\_\_\_\_ Unit serial # \_\_\_\_\_

Evaporator(s) unit electrical rating: Volts \_\_\_\_\_ Phase \_\_\_\_\_ Hz \_\_\_\_\_

Voltage at evaporator terminals: L1/L2 \_\_\_\_\_ L2/L3 \_\_\_\_\_ L1/L3 \_\_\_\_\_

Amperage at evaporator: L1 \_\_\_\_\_ L2 \_\_\_\_\_ L3 \_\_\_\_\_

Expansion valve - Manufacturer \_\_\_\_\_ Model # \_\_\_\_\_

Evaporator drain line trapped outside of box \_\_\_ Yes \_\_\_ No

**System Conditions** (Record just before desired box temperature is reached)

Refrigerant Type \_\_\_\_\_ Total Charge \_\_\_\_\_ System evacuation # of times \_\_\_\_\_ Final micron \_\_\_\_\_

Ambient at start-up \_\_\_\_\_ °F Operating box temperature \_\_\_\_\_ °F

Thermostat setting \_\_\_\_\_ °F Defrost settings \_\_\_\_\_ / day Minutes fail safe \_\_\_\_\_

Condensing unit electrical rating: Volts \_\_\_\_\_ Phase \_\_\_\_\_ Hz \_\_\_\_\_

Voltage at compressor terminals: L1/L2 \_\_\_\_\_ L2/L3 \_\_\_\_\_ L1/L3 \_\_\_\_\_

Amperage at compressor: L1 \_\_\_\_\_ L2 \_\_\_\_\_ L3 \_\_\_\_\_

Compressor discharge pressure \_\_\_\_\_ psig Compressor suction pressure \_\_\_\_\_ psig

Discharge line temperature at compressor \_\_\_\_\_ °F Suction line temperature at compressor \_\_\_\_\_ °F

Superheat at compressor \_\_\_\_\_ °F

Suction line temperature at evaporator TX valve bulb \_\_\_\_\_ °F Superheat at evaporator \_\_\_\_\_ °F

**Comments:** \_\_\_\_\_  
\_\_\_\_\_  
\_\_\_\_\_  
\_\_\_\_\_  
\_\_\_\_\_  
\_\_\_\_\_  
\_\_\_\_\_  
\_\_\_\_\_  
\_\_\_\_\_  
\_\_\_\_\_  
\_\_\_\_\_  
\_\_\_\_\_  
\_\_\_\_\_

**Service Parts List**

***Service Parts List  
Label  
To Be Attached  
HERE***



**National Refrigeration &  
Air Conditioning Canada Corp.**

**CANADA**

159 ROY BLVD., BRANTFORD, ONTARIO, CANADA N3R 7K1  
PHONE: 1-800-463-9517 (519)751-0444 FAX (519)753-1140

**USA**

985 WHEELER WAY, LANGHORNE, PA. 19047 USA  
PHONE: 1-888-KEEPUS1 OR 1-888-533-7871

*Due to National Refrigeration's policy of continuous product improvement, we reserve the right to make changes without notice.*