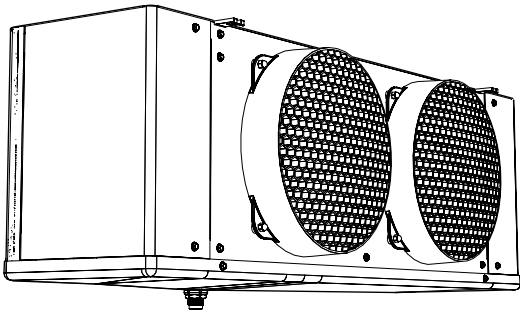




KLP Low Profile Evaporator

**60
Hz**



DEFROST KIT & FUSE PACKAGE SELECTION GUIDE

Bulletin K30-KLP-DFK


PRODUCT SUPPORT
 web: www.k-rp.com/klp
 email: evaps@k-rp.com
 call: 1-844-893-3222 x520

scan: 

**For info on matched
KeepRite condensing units,
visit
www.k-rp.com/cu**

**Defrost Kit &
Fuse Package
Online Selection Tool:
www.k-rp.com/dfk**

NOMENCLATURE

KLP 3 17 L E - S2 B T

Low Profile Evaporator

Number of Fans

Nominal Capacity:
x 1000 @ 10°F TD, Btu/H, R404A

Application Range:

M = Medium to High Temp 6 FPI (10°F to 45°F (-12°C to 7°C) Evap Temp)
 L = Low Temp 6 FPI (-40°F to 0°F (-40°C to -17°C) Evap Temp)
 V = Low Temp 4 FPI (-40°F to 0°F (-40°C to -17°C) Evap Temp)
 W = Fluid Air Cooler (with water or glycol)

Motor:
Blank = PSC
T = SmartSpeed ECM

Generation: B = 2nd

Voltage:
S1 = 115/1/60 (air defrost & hot gas models only)
 S2 = 208-230/1/60
 S4 = 460/1/60
 T3 = 208-230/3/60

Defrost*:
A = Air E = Electric
 T = 3 Pipe Hot Gas w/ Electric Heater Pan
 or Warm Fluid w/ Electric Heater Pan for Fluid Air Coolers
 H = 3 Pipe Hot Gas w/ Hot Gas Loop Pan (optional)
 G = Reverse Cycle w/ Electric Heater Pan
 R = Reverse Cycle w/ Hot Gas Loop Pan (optional)
 * T, H, G, R, available on 2 to 6 fan models only

Medium Temperature, 6 FPI, with standard PSC Motors

TEMP	FPI	# of Fans	Model KLP	Voltage	1 X EVAPORATOR		2 X EVAPORATOR	
					Defrost Kit	Fuse Package	Defrost Kit	Fuse Package
ME - MEDIUM TEMPERATURE	6	1	104ME-S2B	208-230/1/60	DFK-02	FP-004	DFK-06	FP-008
			104ME-T3B	208-230/3/60	DFK-03	FP-013	DFK-07	FP-018
			106ME-S2B	208-230/1/60	DFK-02	FP-004	DFK-06	FP-008
			106ME-T3B	208-230/3/60	DFK-03	FP-013	DFK-07	FP-018
			107ME-S2B	208-230/1/60	DFK-02	FP-004	DFK-06	FP-008
			107ME-T3B	208-230/3/60	DFK-03	FP-013	DFK-07	FP-018
		2	209ME-S2B	208-230/1/60	DFK-02	FP-004	DFK-06	FP-008
			209ME-S4B	460/1/60	DFK-10	FP-008	DFK-12	FP-022
			209ME-T3B	208-230/3/60	DFK-03	FP-013	DFK-07	FP-018
			211ME-S2B	208-230/1/60	DFK-02	FP-004	DFK-06	FP-008
			211ME-S4B	460/1/60	DFK-10	FP-008	DFK-12	FP-022
			211ME-T3B	208-230/3/60	DFK-03	FP-013	DFK-07	FP-018
		3	214ME-S2B	208-230/1/60	DFK-02	FP-004	DFK-06	FP-008
			214ME-S4B	460/1/60	DFK-10	FP-008	DFK-12	FP-022
			214ME-T3B	208-230/3/60	DFK-03	FP-013	DFK-07	FP-018
			317ME-S2B	208-230/1/60	DFK-02	FP-004	DFK-06	FP-008
			317ME-S4B	460/1/60	DFK-10	FP-008	DFK-12	FP-022
			317ME-T3B	208-230/3/60	DFK-03	FP-013	DFK-07	FP-018
		4	320ME-S2B	208-230/1/60	DFK-02	FP-004	DFK-06	FP-008
			320ME-S4B	460/1/60	DFK-10	FP-008	DFK-12	FP-022
			320ME-T3B	208-230/3/60	DFK-03	FP-013	DFK-07	FP-018
			423ME-S2B	208-230/1/60	DFK-02	FP-006	DFK-06	FP-015
			423ME-S4B	460/1/60	DFK-10	FP-008	DFK-12	FP-022
			423ME-T3B	208-230/3/60	DFK-03	FP-013	DFK-07	FP-018
		5	426ME-S2B	208-230/1/60	DFK-02	FP-006	DFK-06	FP-015
			426ME-S4B	460/1/60	DFK-10	FP-008	DFK-12	FP-022
			426ME-T3B	208-230/3/60	DFK-03	FP-013	DFK-07	FP-018
			532ME-S2B	208-230/1/60	DFK-02	FP-007	DFK-06	FP-010
			532ME-S4B	460/1/60	DFK-10	FP-008	DFK-12	FP-022
			532ME-T3B	208-230/3/60	DFK-03	FP-014	DFK-07	FP-019
		6	639ME-S2B	208-230/1/60	DFK-02	FP-020	DFK-09	FP-021
			639ME-S4B	460/1/60	DFK-10	FP-008	DFK-12	FP-022
			639ME-T3B	208-230/3/60	DFK-03	FP-014	DFK-07	FP-019

Low Temperature, 6 FPI, with standard PSC Motors

TEMP	FPI	# of Fans	Model KLP	Voltage	1 X EVAPORATOR		2 X EVAPORATOR	
					Defrost Kit	Fuse Package	Defrost Kit	Fuse Package
LE - LOW TEMPERATURE	6	1	104LE-S2B	208-230/1/60	DFK-02	FP-004	DFK-06	FP-008
			104LE-T3B	208-230/3/60	DFK-03	FP-013	DFK-07	FP-018
			105LE-S2B	208-230/1/60	DFK-02	FP-004	DFK-06	FP-008
			105LE-T3B	208-230/3/60	DFK-03	FP-013	DFK-07	FP-018
			106LE-S2B	208-230/1/60	DFK-02	FP-004	DFK-06	FP-008
			106LE-T3B	208-230/3/60	DFK-03	FP-013	DFK-07	FP-018
		2	207LE-S2B	208-230/1/60	DFK-02	FP-004	DFK-06	FP-008
			207LE-S4B	460/1/60	DFK-10	FP-008	DFK-12	FP-022
			207LE-T3B	208-230/3/60	DFK-03	FP-013	DFK-07	FP-018
			209LE-S2B	208-230/1/60	DFK-02	FP-004	DFK-06	FP-008
			209LE-S4B	460/1/60	DFK-10	FP-008	DFK-12	FP-022
			209LE-T3B	208-230/3/60	DFK-03	FP-013	DFK-07	FP-018
		3	211LE-S2B	208-230/1/60	DFK-02	FP-004	DFK-06	FP-008
			211LE-S4B	460/1/60	DFK-10	FP-008	DFK-12	FP-022
			211LE-T3B	208-230/3/60	DFK-03	FP-013	DFK-07	FP-018
			314LE-S2B	208-230/1/60	DFK-02	FP-004	DFK-06	FP-008
			314LE-S4B	460/1/60	DFK-10	FP-008	DFK-12	FP-022
			314LE-T3B	208-230/3/60	DFK-03	FP-013	DFK-07	FP-018
		4	317LE-S2B	208-230/1/60	DFK-02	FP-004	DFK-06	FP-008
			317LE-S4B	460/1/60	DFK-10	FP-008	DFK-12	FP-022
			317LE-T3B	208-230/3/60	DFK-03	FP-013	DFK-07	FP-018
			419LE-S2B	208-230/1/60	DFK-02	FP-006	DFK-06	FP-015
			419LE-S4B	460/1/60	DFK-10	FP-008	DFK-12	FP-022
			419LE-T3B	208-230/3/60	DFK-03	FP-013	DFK-07	FP-018
		5	422LE-S2B	208-230/1/60	DFK-02	FP-006	DFK-06	FP-015
			422LE-S4B	460/1/60	DFK-10	FP-008	DFK-12	FP-022
			422LE-T3B	208-230/3/60	DFK-03	FP-013	DFK-07	FP-018
			527LE-S2B	208-230/1/60	DFK-02	FP-007	DFK-06	FP-010
			527LE-S4B	460/1/60	DFK-10	FP-008	DFK-12	FP-022
			527LE-T3B	208-230/3/60	DFK-03	FP-014	DFK-07	FP-019
		6	631LE-S2B	208-230/1/60	DFK-02	FP-020	DFK-09	FP-021
			631LE-S4B	460/1/60	DFK-10	FP-008	DFK-12	FP-022
			631LE-T3B	208-230/3/60	DFK-03	FP-014	DFK-07	FP-019

Very Low Temperature, 4 FPI, with standard PSC Motors

TEMP	FPI	# of Fans	MModel KLP	Voltage	1 X EVAPORATOR		2 X EVAPORATOR	
					Defrost Kit	Fuse Package	Defrost Kit	Fuse Package
VE - VERY LOW TEMPERATURE	4	1	103VE-S2B	208-230/1/60	DFK-02	FP-004	DFK-06	FP-008
			103VE-T3B	208-230/3/60	DFK-03	FP-013	DFK-07	FP-018
			104VE-S2B	208-230/1/60	DFK-02	FP-004	DFK-06	FP-008
			104VE-T3B	208-230/3/60	DFK-03	FP-013	DFK-07	FP-018
			105VE-S2B	208-230/1/60	DFK-02	FP-004	DFK-06	FP-008
			105VE-T3B	208-230/3/60	DFK-03	FP-013	DFK-07	FP-018
		2	206VE-S2B	208-230/1/60	DFK-02	FP-004	DFK-06	FP-008
			206VE-S4B	460/1/60	DFK-10	FP-008	DFK-12	FP-022
			206VE-T3B	208-230/3/60	DFK-03	FP-013	DFK-07	FP-018
			208VE-S2B	208-230/1/60	DFK-02	FP-004	DFK-06	FP-008
			208VE-S4B	460/1/60	DFK-10	FP-008	DFK-12	FP-022
			208VE-T3B	208-230/3/60	DFK-03	FP-013	DFK-07	FP-018
		3	209VE-S2B	208-230/1/60	DFK-02	FP-004	DFK-06	FP-008
			209VE-S4B	460/1/60	DFK-10	FP-008	DFK-12	FP-022
			209VE-T3B	208-230/3/60	DFK-03	FP-013	DFK-07	FP-018
			312VE-S2B	208-230/1/60	DFK-02	FP-004	DFK-06	FP-008
			312VE-S4B	460/1/60	DFK-10	FP-008	DFK-12	FP-022
			312VE-T3B	208-230/3/60	DFK-03	FP-013	DFK-07	FP-018
		4	315VE-S2B	208-230/1/60	DFK-02	FP-004	DFK-06	FP-008
			315VE-S4B	460/1/60	DFK-10	FP-008	DFK-12	FP-022
			315VE-T3B	208-230/3/60	DFK-03	FP-013	DFK-07	FP-018
			416VE-S2B	208-230/1/60	DFK-02	FP-006	DFK-06	FP-015
			416VE-S4B	460/1/60	DFK-10	FP-008	DFK-12	FP-022
			416VE-T3B	208-230/3/60	DFK-03	FP-013	DFK-07	FP-018
		5	419VE-S2B	208-230/1/60	DFK-02	FP-006	DFK-06	FP-015
			419VE-S4B	460/1/60	DFK-10	FP-008	DFK-12	FP-022
			419VE-T3B	208-230/3/60	DFK-03	FP-013	DFK-07	FP-018
			523VE-S2B	208-230/1/60	DFK-02	FP-007	DFK-06	FP-010
			523VE-S4B	460/1/60	DFK-10	FP-008	DFK-12	FP-022
			523VE-T3B	208-230/3/60	DFK-03	FP-014	DFK-07	FP-019
6	627VE-S2B	208-230/1/60	DFK-02	FP-020	DFK-09	FP-021		
	627VE-S4B	460/1/60	DFK-10	FP-008	DFK-12	FP-022		
	627VE-T3B	208-230/3/60	DFK-03	FP-014	DFK-07	FP-019		

**KLP LOW PROFILE EVAPORATORS
with optional SMARTSPEED™ EC Motors**

Medium Temperature, 6 FPI, with optional SMARTSPEED™ EC Motors

TEMP	FPI	# of Fans	Model KLP	Voltage	1 X EVAPORATOR		2 X EVAPORATOR	
					Defrost Kit	Fuse Package	Defrost Kit	Fuse Package
ME - MEDIUM TEMPERATURE	6	1	104ME-S2B-T	208-230/1/60	DFK-02	FP-004	DFK-06	FP-008
			104ME-T3B-T	208-230/3/60	DFK-03	FP-013	DFK-07	FP-018
			106ME-S2B-T	208-230/1/60	DFK-02	FP-004	DFK-06	FP-008
			106ME-T3B-T	208-230/3/60	DFK-03	FP-013	DFK-07	FP-018
			107ME-S2B-T	208-230/1/60	DFK-02	FP-004	DFK-06	FP-008
			107ME-T3B-T	208-230/3/60	DFK-03	FP-013	DFK-07	FP-018
		2	209ME-S2B-T	208-230/1/60	DFK-02	FP-004	DFK-06	FP-008
			209ME-T3B-T	208-230/3/60	DFK-03	FP-013	DFK-07	FP-018
			211ME-S2B-T	208-230/1/60	DFK-02	FP-004	DFK-06	FP-008
			211ME-T3B-T	208-230/3/60	DFK-03	FP-013	DFK-07	FP-018
			214ME-S2B-T	208-230/1/60	DFK-02	FP-004	DFK-06	FP-008
			214ME-T3B-T	208-230/3/60	DFK-03	FP-013	DFK-07	FP-018
		3	317ME-S2B-T	208-230/1/60	DFK-02	FP-004	DFK-06	FP-008
			317ME-T3B-T	208-230/3/60	DFK-03	FP-013	DFK-07	FP-018
			320ME-S2B-T	208-230/1/60	DFK-02	FP-004	DFK-06	FP-008
			320ME-T3B-T	208-230/3/60	DFK-03	FP-013	DFK-07	FP-018
			423ME-S2B-T	208-230/1/60	DFK-02	FP-006	DFK-06	FP-015
			423ME-T3B-T	208-230/3/60	DFK-03	FP-013	DFK-07	FP-018
		4	426ME-S2B-T	208-230/1/60	DFK-02	FP-006	DFK-06	FP-015
			426ME-T3B-T	208-230/3/60	DFK-03	FP-013	DFK-07	FP-018
			532ME-S2B-T	208-230/1/60	DFK-02	FP-007	DFK-06	FP-010
			532ME-T3B-T	208-230/3/60	DFK-03	FP-014	DFK-07	FP-019
			639ME-S2B-T	208-230/1/60	DFK-02	FP-020	DFK-09	FP-021
			639ME-T3B-T	208-230/3/60	DFK-03	FP-014	DFK-07	FP-019

KLP LOW PROFILE EVAPORATORS
with optional SMARTSPEED™ EC Motors (cont'd)

Low Temperature, 6 FPI, with optional SMARTSPEED™ EC Motors

TEMP	FPI	# of Fans	Model KLP	Voltage	1 X EVAPORATOR		2 X EVAPORATOR	
					Defrost Kit	Fuse Package	Defrost Kit	Fuse Package
LE - LOW TEMPERATURE	6	1	104LE-S2B-T	208-230/1/60	DFK-02	FP-004	DFK-06	FP-008
			104LE-T3B-T	208-230/3/60	DFK-03	FP-013	DFK-07	FP-018
			105LE-S2B-T	208-230/1/60	DFK-02	FP-004	DFK-06	FP-008
			105LE-T3B-T	208-230/3/60	DFK-03	FP-013	DFK-07	FP-018
			106LE-S2B-T	208-230/1/60	DFK-02	FP-004	DFK-06	FP-008
			106LE-T3B-T	208-230/3/60	DFK-03	FP-013	DFK-07	FP-018
		2	207LE-S2B-T	208-230/1/60	DFK-02	FP-004	DFK-06	FP-008
			207LE-T3B-T	208-230/3/60	DFK-03	FP-013	DFK-07	FP-018
			209LE-S2B-T	208-230/1/60	DFK-02	FP-004	DFK-06	FP-008
			209LE-T3B-T	208-230/3/60	DFK-03	FP-013	DFK-07	FP-018
			211LE-S2B-T	208-230/1/60	DFK-02	FP-004	DFK-06	FP-008
			211LE-T3B-T	208-230/3/60	DFK-03	FP-013	DFK-07	FP-018
		3	314LE-S2B-T	208-230/1/60	DFK-02	FP-004	DFK-06	FP-008
			314LE-T3B-T	208-230/3/60	DFK-03	FP-013	DFK-07	FP-018
			317LE-S2B-T	208-230/1/60	DFK-02	FP-004	DFK-06	FP-008
			317LE-T3B-T	208-230/3/60	DFK-03	FP-013	DFK-07	FP-018
		4	419LE-S2B-T	208-230/1/60	DFK-02	FP-006	DFK-06	FP-015
			419LE-T3B-T	208-230/3/60	DFK-03	FP-013	DFK-07	FP-018
			422LE-S2B-T	208-230/1/60	DFK-02	FP-006	DFK-06	FP-015
			422LE-T3B-T	208-230/3/60	DFK-03	FP-013	DFK-07	FP-018
		5	527LE-S2B-T	208-230/1/60	DFK-02	FP-007	DFK-06	FP-010
			527LE-T3B-T	208-230/3/60	DFK-03	FP-014	DFK-07	FP-019
		6	631LE-S2B-T	208-230/1/60	DFK-02	FP-020	DFK-09	FP-021
			631LE-T3B-T	208-230/3/60	DFK-03	FP-014	DFK-07	FP-019

Very Low Temperature, 4 FPI, with optional SMARTSPEED™ EC Motors

TEMP	FPI	# of Fans	Model KLP	Voltage	1 X EVAPORATOR		2 X EVAPORATOR	
					Defrost Kit	Fuse Package	Defrost Kit	Fuse Package
VE - VERY LOW TEMPERATURE	4	1	103VE-S2B-T	208-230/1/60	DFK-02	FP-004	DFK-06	FP-008
			103VE-T3B-T	208-230/3/60	DFK-03	FP-013	DFK-07	FP-018
			104VE-S2B-T	208-230/1/60	DFK-02	FP-004	DFK-06	FP-008
			104VE-T3B-T	208-230/3/60	DFK-03	FP-013	DFK-07	FP-018
			105VE-S2B-T	208-230/1/60	DFK-02	FP-004	DFK-06	FP-008
			105VE-T3B-T	208-230/3/60	DFK-03	FP-013	DFK-07	FP-018
		2	206VE-S2B-T	208-230/1/60	DFK-02	FP-004	DFK-06	FP-008
			206VE-T3B-T	208-230/3/60	DFK-03	FP-013	DFK-07	FP-018
			208VE-S2B-T	208-230/1/60	DFK-02	FP-004	DFK-06	FP-008
			208VE-T3B-T	208-230/3/60	DFK-03	FP-013	DFK-07	FP-018
			209VE-S2B-T	208-230/1/60	DFK-02	FP-004	DFK-06	FP-008
			209VE-T3B-T	208-230/3/60	DFK-03	FP-013	DFK-07	FP-018
		3	312VE-S2B-T	208-230/1/60	DFK-02	FP-004	DFK-06	FP-008
			312VE-T3B-T	208-230/3/60	DFK-03	FP-013	DFK-07	FP-018
			315VE-S2B-T	208-230/1/60	DFK-02	FP-004	DFK-06	FP-008
			315VE-T3B-T	208-230/3/60	DFK-03	FP-013	DFK-07	FP-018
		4	416VE-S2B-T	208-230/1/60	DFK-02	FP-006	DFK-06	FP-015
			416VE-T3B-T	208-230/3/60	DFK-03	FP-013	DFK-07	FP-018
			419VE-S2B-T	208-230/1/60	DFK-02	FP-006	DFK-06	FP-015
			419VE-T3B-T	208-230/3/60	DFK-03	FP-013	DFK-07	FP-018
		5	523VE-S2B-T	208-230/1/60	DFK-02	FP-007	DFK-06	FP-010
			523VE-T3B-T	208-230/3/60	DFK-03	FP-014	DFK-07	FP-019
		6	627VE-S2B-T	208-230/1/60	DFK-02	FP-020	DFK-09	FP-021
			627VE-T3B-T	208-230/3/60	DFK-03	FP-014	DFK-07	FP-019

Defrost Kits

Number of Evaps.	Kit Part Number	Description
1	DFK-01	Time Clock, HtrCont - 1x 40A (3P), FB 1x 30A (1P)
1	DFK-02	Time Clock, HtrCont - 1x 40A (3P), FB 1x 30A (2P)
1	DFK-03	Time Clock, HtrCont - 1x 40A (3P), FB 1x 30A (3P)
1	DFK-04	Time Clock, HtrCont - 1x 40A (3P), FB 1x 60A (2P)
2	DFK-05	Time Clock, HtrCont - 1x 40A (3P), FB 2x 30A (1P)
2	DFK-06	Time Clock, HtrCont - 1x 40A (3P), FB 2x 30A (2P)
2	DFK-07	Time Clock, HtrCont - 1x 40A (3P), FB 2x 30A (3P)
2	DFK-08	Time Clock, HtrCont - 1x 50A (3P), FB 2x 60A (2P)
2	DFK-09	Time Clock, HtrCont - 1x 50A (3P), FB 2x 30A (2P)
1	DFK-10	Time Clock, HtrCont - 1x 40A (3P), FanCont - 1x 40A (3P), FB 2x 30A (2P)
1	DFK-11	Time Clock, HtrCont - 1x 40A (3P), FanCont - 1x 40A (3P), FB 2x 30A (3P)
2	DFK-12	Time Clock, HtrCont - 1x 40A (3P), FanCont - 1x 40A (3P), FB 4x 30A (2P)
2	DFK-13	Time Clock, HtrCont - 1x 40A (3P), FanCont - 1x 40A (3P), FB 4x 30A (3P)
1	DFK-14	Time Clock, HtrCont - 1x 40A (3P), FanCont - 1x 40A (3P), FB 1x 30A (2P), FB 1x 30A (3P)
1	DFK-15	Time Clock, HtrCont - 1x40A (3P), FanCont - 1x 40A (3P), FB 1x 30A (2P), FB 1x 60A (2P)
1	DFK-16	Time Clock, HtrCont - 1x 40A (3P), FanCont - 1x 40A (3P), FB 1x 30A (2P), FB 1x 60A (3P)
1	DFK-17	Time Clock, HtrCont - 1x 40A (3P), FanCont - 1x 40A (3P), FB 1x 30A (3P), FB 1x 60A (3P)
2	DFK-18	Time Clock, HtrCont - 1x 40A (3P), FanCont - 1x 40A (3P), FB 2x 30A (2P), FB 2x 30A (3P)
2	DFK-19	Time Clock, HtrCont - 1x 50A (3P), FanCont - 1x 40A (3P), FB 4x 30A (2P)
2	DFK-20	Time Clock, HtrCont - 1x 50A (3P), FanCont - 1x 40A (3P), FB 4x 30A (3P)
1	DFK-21	Time Clock, HtrCont - 1x 50A (3P), FanCont - 1x 40A (3P), FB 1x 30A (2P), FB 1x 60A (2P)
1	DFK-22	Time Clock, HtrCont - 1x 50A (3P), FanCont - 1x 40A (3P), FB 1x 30A (3P), FB 1x 60A (3P)
2	DFK-23	Time Clock, HtrCont - 1x 50A (3P), FanCont - 1x 40A (3P), FB 2x 30A (2P), FB 2x 30A (3P)
2	DFK-24	Time Clock, HtrCont - 1x 50A (3P), FanCont - 1x 40A (3P), FB 2x 30A (3P), FB 2x 60A (3P)
1	DFK-25	Time Clock, HtrCont - 2x 40A (3P), FanCont - 1x 40A (3P), FB 1x 30A (2P), FB 2x 60A (2P)
1	DFK-26	Time Clock, HtrCont - 2x 40A (3P), FanCont - 1x 40A (3P), FB 1x 30A (3P), FB 2x 60A (3P)
2	DFK-27	Time Clock, HtrCont - 2x 40A (3P), FanCont - 1x 40A (3P), FB 2x 30A (2P), FB 2x 60A (2P)
2	DFK-28	Time Clock, HtrCont - 2x 40A (3P), FanCont - 1x 40A (3P), FB 2x 30A (2P), FB 2x 60A (3P)
2	DFK-29	Time Clock, HtrCont - 2x 40A (3P), FanCont - 1x 40A (3P), FB 2x 30A (3P), FB 2x 60A (3P)
2	DFK-30	Time Clock, HtrCont - 2x 40A (3P), FanCont - 1x 50A (3P), FB 2x 30A (2P), FB 2x 60A (3P)
1	DFK-31	Time Clock, HtrCont - 2x 50A (3P), FanCont - 1x 40A (3P), FB 1x 30A (3P), FB 2x 60A (3P)
2	DFK-32	Time Clock, HtrCont - 2x 50A (3P), FanCont - 1x 40A (3P), FB 2x 30A (2P), FB 2x 60A (2P)
2	DFK-33	Time Clock, HtrCont - 2x 50A (3P), FanCont - 1x 40A (3P), FB 2x 30A (3P), FB 2x 60A (3P)
2	DFK-34	Time Clock, HtrCont - 4x 40A (3P), FanCont - 1x 40A (3P), FB 2x 30A (2P), FB 4x 60A (2P)
2	DFK-35	Time Clock, HtrCont - 4x 40A (3P), FanCont - 1x 40A (3P), FB 2x 30A (3P), FB 4x 60A (3P)
2	DFK-36	Time Clock, HtrCont - 4x 40A (3P), FanCont - 1x 50A (3P), FB 2x 30A (2P), FB 4x 60A (2P)
2	DFK-37	Time Clock, HtrCont - 4x 40A (3P), FanCont - 1x 50A (3P), FB 2x 30A (3P), FB 4x 60A (3P)
2	DFK-38	Time Clock, HtrCont - 4x 50A (3P), FanCont - 1x 50A (3P), FB 2x 30A (3P), FB 4x 60A (3P)
1	DFK-39	Time Clock, HtrCont1 - 1x 40A (3P), HtrCont2 - 2x 50A (3P), FanCont - 1x 40A (3P), FB 4x 60A (3P)

NOTE: HtrCont = Heater Contactor, FanCont = Fan Contactor, FB = Fuse Block, (1P), (2P), (3P) = Number of Poles

(cont'd)

Fuse Packages

Package Part Number	Description
FP-001	FUSES (1) 15AMP
FP-002	FUSES (1) 20AMP
FP-003	FUSES (1) 25AMP
FP-004	FUSES (2) 15AMP
FP-006	FUSES (2) 20AMP
FP-007	FUSES (2) 25AMP
FP-008	FUSES (4) 15AMP
FP-010	FUSES (4) 25AMP
FP-012	FUSES (2) 35AMP
FP-013	FUSES (3) 15AMP
FP-014	FUSES (3) 20AMP
FP-015	FUSES (4) 20AMP
FP-016	FUSES (4) 20AMP (6) 45AMP
FP-017	FUSES (4) 35AMP
FP-018	FUSES (6) 15AMP
FP-019	FUSES (6) 20AMP
FP-020	FUSES (2) 30AMP
FP-021	FUSES (4) 30AMP
FP-022	FUSES (8) 15AMP
FP-023	FUSES (2) 25AMP (3) 50AMP
FP-024	FUSES (2) 20AMP (3) 45AMP
FP-025	FUSES (6) 20AMP (6) 60AMP
FP-026	FUSES (6) 15AMP (12) 40AMP
FP-027	FUSES (6) 15AMP (6) 40AMP
FP-028	FUSES (6) 20AMP (12) 40AMP
FP-029	FUSES (6) 15AMP (6) 50AMP
FP-030	FUSES (6) 15AMP (6) 45AMP
FP-031	FUSES (6) 15AMP (6) 35AMP
FP-032	FUSES (6) 15AMP (6) 30AMP
FP-033	FUSES (6) 25AMP (12) 50AMP
FP-034	FUSES (6) 20AMP (12) 35AMP
FP-035	FUSES (4) 25AMP (6) 50AMP
FP-036	FUSES (6) 25AMP (12) 60AMP
FP-037	FUSES (6) 20AMP (12) 60AMP
FP-038	FUSES (6) 20AMP (12) 50AMP
FP-039	FUSES (6) 20AMP (12) 45AMP
FP-040	FUSES (6) 15AMP (12) 45AMP
FP-041	FUSES (5) 15AMP
FP-042	FUSES (10) 15AMP
FP-043	FUSES (3) 25AMP (6) 60AMP
FP-044	FUSES (3) 20AMP (6) 60AMP
FP-045	FUSES (3) 20AMP (6) 50AMP
FP-046	FUSES (3) 25AMP (6) 45AMP
FP-047	FUSES (3) 15AMP (6) 45AMP
FP-048	FUSES (4) 15AMP (4) 45AMP
FP-049	FUSES (4) 15AMP (4) 40AMP
FP-050	FUSES (3) 15AMP (3) 60AMP
FP-051	FUSES (4) 20AMP (6) 50AMP
FP-052	FUSES (4) 15AMP (6) 45AMP
FP-053	FUSES (4) 15AMP (6) 30AMP

Package Part Number	Description
FP-054	FUSES (3) 15AMP (6) 35AMP
FP-055	FUSES (2) 15AMP (2) 45AMP
FP-056	FUSES (2) 15AMP (2) 40AMP
FP-057	FUSES (2) 20AMP (3) 50AMP
FP-058	FUSES (2) 15AMP (3) 45AMP
FP-059	FUSES (2) 15AMP (3) 30AMP
FP-060	FUSES (2) 15AMP (2) 35AMP
FP-061	FUSES (2) 15AMP (2) 50AMP
FP-062	FUSES (2) 15AMP (2) 60AMP
FP-063	FUSES (2) 15AMP (3) 25AMP
FP-064	FUSES (2) 15AMP (3) 35AMP
FP-065	FUSES (2) 15AMP (3) 40AMP
FP-066	FUSES (2) 15AMP (3) 20AMP
FP-067	FUSES (4) 15AMP (4) 35AMP
FP-068	FUSES (4) 15AMP (4) 50AMP
FP-069	FUSES (4) 15AMP (4) 60AMP
FP-070	FUSES (4) 15AMP (6) 25AMP
FP-071	FUSES (4) 15AMP (6) 35AMP
FP-072	FUSES (4) 15AMP (6) 40AMP
FP-073	FUSES (4) 15AMP (6) 20AMP
FP-074	FUSES (3) 20AMP (3) 60AMP
FP-075	FUSES (3) 20AMP (6) 35AMP
FP-076	FUSES (3) 25AMP (6) 50AMP
FP-077	FUSES (3) 35AMP (9) 45AMP
FP-078	FUSES (3) 15AMP (3) 35AMP
FP-079	FUSES (3) 15AMP (3) 45AMP
FP-080	FUSES (3) 15AMP (3) 50AMP
FP-081	FUSES (3) 20AMP (6) 40AMP
FP-082	FUSES (3) 15AMP (3) 40AMP
FP-083	FUSES (3) 15AMP (6) 40AMP
FP-084	FUSES (6) 15AMP (6) 60AMP
FP-085	FUSES (6) 15AMP (12) 35AMP
FP-086	FUSES (3) 35AMP (3) 45AMP (6) 60AMP
FP-087	FUSES (4) 20AMP (4) 40AMP (4) 50AMP
FP-088	FUSES (4) 15AMP (4) 35AMP (4) 40AMP
FP-089	FUSES (2) 20AMP (2) 40AMP (2) 50AMP
FP-090	FUSES (2) 15AMP (2) 35AMP (2) 40AMP
FP-091	FUSES (2) 20AMP (2) 35AMP (2) 40AMP
FP-092	FUSES (2) 25AMP (2) 40AMP (2) 50AMP
FP-093	FUSES (4) 20AMP (4) 35AMP (4) 40AMP
FP-094	FUSES (6) 15AMP (6) 25AMP
FP-095	FUSES (3) 15AMP (3) 25AMP
FP-096	FUSES (3) 15AMP (3) 30AMP
FP-097	FUSES (4) 15AMP (4) 30AMP
FP-098	FUSES (4) 15AMP (4) 25AMP
FP-099	FUSES (4) 15AMP (4) 20AMP
FP-100	FUSES (2) 15AMP (2) 20AMP
FP-101	FUSES (2) 15AMP (2) 25AMP
FP-102	FUSES (2) 15AMP (2) 30AMP
FP-103	FUSES (4) 25AMP (4) 40AMP (4) 50AMP

NOTE: FUSES 30AMP and Below - Class CC Type, FUSES 35AMP and Above - Class J Type

**PRODUCT SUPPORT**

web: www.k-rp.com/klp
email: evaps@k-rp.com
call: 1-844-893-3222 x520

**TROUBLESHOOTING**

email: troubleshooting@k-rp.com
call: 1-844-893-3222 x529

**SERVICE PARTS**

web: www.k-rp.com/parts
email: parts@k-rp.com
call: 1-844-893-3222 x520

**WARRANTY**

web: www.k-rp.com/warranty
email: warranty@k-rp.com
call: 1-844-893-3222 x501

**ORDERS**

email: orders@k-rp.com
call: 1-844-893-3222 x501

**SHIPPING**

email: shipping@k-rp.com
call: 1-844-893-3222 x503



KeepRite Refrigeration
Brantford, ON • Longview, TX
1-800-463-9517 info@k-rp.com www.k-rp.com

