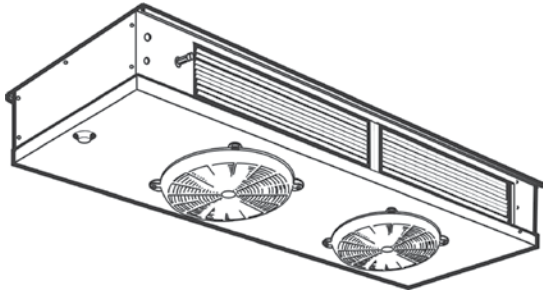




KLV Low Velocity Evaporators

60
Hz



DEFROST KIT & FUSE PACKAGE SELECTION GUIDE

Bulletin K30-KLV-DFK


PRODUCT SUPPORT
 web: www.k-rp.com/klv
 email: evaps@k-rp.com
 call: 1-844-893-3222 x520

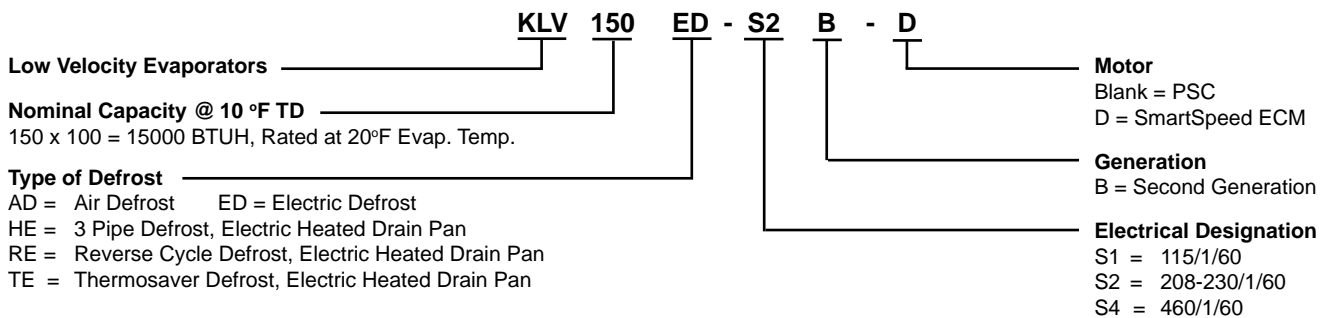
scan:



**For info on matched
KeepRite condensing units,
visit
www.k-rp.com/cu**

**Defrost Kit &
Fuse Package
Online Selection Tool:
www.k-rp.com/dfk**

NOMENCLATURE



**KLV LOW VELOCITY EVAPORATORS
w/ Standard PSC Motors**

Medium Temperature, 7 FPI, with standard PSC Motors

| TEMP | FPI | # of Fans | Model KLV | Voltage | 1 X EVAPORATOR | | 2 X EVAPORATOR | |
|--------|-----|-----------|--------------|--------------|----------------|-----------------|----------------|-----------------|
| | | | | | Defrost Kit | Fuse Package | Defrost Kit | Fuse Package |
| MEDIUM | 7 | 1 | 060ED-S1B | 115/1/60 | DFK-01 | FP-003 | DFK-05 | FP-007 |
| | | | 060ED-S2B | 208-230/1/60 | DFK-02 | FP-004 | DFK-06 | FP-008 |
| | | 2 | 090ED-S1B | 115/1/60 | DFK-01 | FP-003 | DFK-05 | FP-007 |
| | | | 090ED-S2B | 208-230/1/60 | DFK-02 | FP-004 | DFK-06 | FP-008 |
| | | 3 | 120ED-S2B | 208-230/1/60 | DFK-02 | FP-006 | DFK-06 | FP-015 |
| | | | 150ED-S2B | 208-230/1/60 | DFK-02 | FP-006 | DFK-06 | FP-015 |
| | | 4 | 180ED-S2B | 208-230/1/60 | DFK-02 | FP-007 | DFK-06 | FP-010 |
| | | | 220ED-S2B | 208-230/1/60 | DFK-02 | FP-007 | DFK-06 | FP-010 |
| | | 5 | 270ED-S2B | 208-230/1/60 | DFK-02 | FP-007 | DFK-06 | FP-010 |
| | | | 300ED-S2B | 208-230/1/60 | DFK-02 | FP-007 | DFK-06 | FP-010 |
| | | 5 | 340ED-S2B | 208-230/1/60 | DFK-04 | FP-012 | DFK-08 | FP-017 |
| | | | 370ED-S2B | 208-230/1/60 | DFK-04 | FP-012 | DFK-08 | FP-017 |

**KLV LOW VELOCITY EVAPORATORS
with optional SMARTSPEED™ EC Motors**

Medium Temperature, 7 FPI, with optional SMARTSPEED™ EC Motors

| TEMP | FPI | # of Fans | Model KLV | Voltage | 1 X EVAPORATOR | | 2 X EVAPORATOR | |
|--------|-----|-----------|--------------|--------------|----------------|-----------------|----------------|-----------------|
| | | | | | Defrost Kit | Fuse Package | Defrost Kit | Fuse Package |
| MEDIUM | 7 | 1 | 060ED-S1B-D | 115/1/60 | DFK-01 | FP-003 | DFK-05 | FP-007 |
| | | | 060ED-S2B-D | 208-230/1/60 | DFK-02 | FP-004 | DFK-06 | FP-008 |
| | | 2 | 090ED-S1B-D | 115/1/60 | DFK-01 | FP-003 | DFK-05 | FP-007 |
| | | | 090ED-S2B-D | 208-230/1/60 | DFK-02 | FP-004 | DFK-06 | FP-008 |
| | | 3 | 120ED-S2B-D | 208-230/1/60 | DFK-02 | FP-006 | DFK-06 | FP-015 |
| | | | 150ED-S2B-D | 208-230/1/60 | DFK-02 | FP-006 | DFK-06 | FP-015 |
| | | 4 | 180ED-S2B-D | 208-230/1/60 | DFK-02 | FP-007 | DFK-06 | FP-010 |
| | | | 220ED-S2B-D | 208-230/1/60 | DFK-02 | FP-007 | DFK-06 | FP-010 |
| | | 5 | 270ED-S2B-D | 208-230/1/60 | DFK-02 | FP-007 | DFK-06 | FP-010 |
| | | | 300ED-S2B-D | 208-230/1/60 | DFK-02 | FP-007 | DFK-06 | FP-010 |
| | | 5 | 340ED-S2B-D | 208-230/1/60 | DFK-04 | FP-012 | DFK-08 | FP-017 |
| | | | 370ED-S2B-D | 208-230/1/60 | DFK-04 | FP-012 | DFK-08 | FP-017 |

Defrost Kits

| Number of Evaps. | Kit Part Number | Description |
|------------------|-----------------|---|
| 1 | DFK-01 | Time Clock, HtrCont - 1x 40A (3P), FB 1x 30A (1P) |
| 1 | DFK-02 | Time Clock, HtrCont - 1x 40A (3P), FB 1x 30A (2P) |
| 1 | DFK-03 | Time Clock, HtrCont - 1x 40A (3P), FB 1x 30A (3P) |
| 1 | DFK-04 | Time Clock, HtrCont - 1x 40A (3P), FB 1x 60A (2P) |
| 2 | DFK-05 | Time Clock, HtrCont - 1x 40A (3P), FB 2x 30A (1P) |
| 2 | DFK-06 | Time Clock, HtrCont - 1x 40A (3P), FB 2x 30A (2P) |
| 2 | DFK-07 | Time Clock, HtrCont - 1x 40A (3P), FB 2x 30A (3P) |
| 2 | DFK-08 | Time Clock, HtrCont - 1x 50A (3P), FB 2x 60A (2P) |
| 2 | DFK-09 | Time Clock, HtrCont - 1x 50A (3P), FB 2x 30A (2P) |
| 1 | DFK-10 | Time Clock, HtrCont - 1x 40A (3P), FanCont - 1x 40A (3P), FB 2x 30A (2P) |
| 1 | DFK-11 | Time Clock, HtrCont - 1x 40A (3P), FanCont - 1x 40A (3P), FB 2x 30A (3P) |
| 2 | DFK-12 | Time Clock, HtrCont - 1x 40A (3P), FanCont - 1x 40A (3P), FB 4x 30A (2P) |
| 2 | DFK-13 | Time Clock, HtrCont - 1x 40A (3P), FanCont - 1x 40A (3P), FB 4x 30A (3P) |
| 1 | DFK-14 | Time Clock, HtrCont - 1x 40A (3P), FanCont - 1x 40A (3P), FB 1x 30A (2P), FB 1x 30A (3P) |
| 1 | DFK-15 | Time Clock, HtrCont - 1x40A (3P), FanCont - 1x 40A (3P), FB 1x 30A (2P), FB 1x 60A (2P) |
| 1 | DFK-16 | Time Clock, HtrCont - 1x 40A (3P), FanCont - 1x 40A (3P), FB 1x 30A (2P), FB 1x 60A (3P) |
| 1 | DFK-17 | Time Clock, HtrCont - 1x 40A (3P), FanCont - 1x 40A (3P), FB 1x 30A (3P), FB 1x 60A (3P) |
| 2 | DFK-18 | Time Clock, HtrCont - 1x 40A (3P), FanCont - 1x 40A (3P), FB 2x 30A (2P), FB 2x 30A (3P) |
| 2 | DFK-19 | Time Clock, HtrCont - 1x 50A (3P), FanCont - 1x 40A (3P), FB 4x 30A (2P) |
| 2 | DFK-20 | Time Clock, HtrCont - 1x 50A (3P), FanCont - 1x 40A (3P), FB 4x 30A (3P) |
| 1 | DFK-21 | Time Clock, HtrCont - 1x 50A (3P), FanCont - 1x 40A (3P), FB 1x 30A (2P), FB 1x 60A (2P) |
| 1 | DFK-22 | Time Clock, HtrCont - 1x 50A (3P), FanCont - 1x 40A (3P), FB 1x 30A (3P), FB 1x 60A (3P) |
| 2 | DFK-23 | Time Clock, HtrCont - 1x 50A (3P), FanCont - 1x 40A (3P), FB 2x 30A (2P), FB 2x 30A (3P) |
| 2 | DFK-24 | Time Clock, HtrCont - 1x 50A (3P), FanCont - 1x 40A (3P), FB 2x 30A (3P), FB 2x 60A (3P) |
| 1 | DFK-25 | Time Clock, HtrCont - 2x 40A (3P), FanCont - 1x 40A (3P), FB 1x 30A (2P), FB 2x 60A (2P) |
| 1 | DFK-26 | Time Clock, HtrCont - 2x 40A (3P), FanCont - 1x 40A (3P), FB 1x 30A (3P), FB 2x 60A (3P) |
| 2 | DFK-27 | Time Clock, HtrCont - 2x 40A (3P), FanCont - 1x 40A (3P), FB 2x 30A (2P), FB 2x 60A (2P) |
| 2 | DFK-28 | Time Clock, HtrCont - 2x 40A (3P), FanCont - 1x 40A (3P), FB 2x 30A (2P), FB 2x 60A (3P) |
| 2 | DFK-29 | Time Clock, HtrCont - 2x 40A (3P), FanCont - 1x 40A (3P), FB 2x 30A (3P), FB 2x 60A (3P) |
| 2 | DFK-30 | Time Clock, HtrCont - 2x 40A (3P), FanCont - 1x 50A (3P), FB 2x 30A (2P), FB 2x 60A (3P) |
| 1 | DFK-31 | Time Clock, HtrCont - 2x 50A (3P), FanCont - 1x 40A (3P), FB 1x 30A (3P), FB 2x 60A (3P) |
| 2 | DFK-32 | Time Clock, HtrCont - 2x 50A (3P), FanCont - 1x 40A (3P), FB 2x 30A (2P), FB 2x 60A (2P) |
| 2 | DFK-33 | Time Clock, HtrCont - 2x 50A (3P), FanCont - 1x 40A (3P), FB 2x 30A (3P), FB 2x 60A (3P) |
| 2 | DFK-34 | Time Clock, HtrCont - 4x 40A (3P), FanCont - 1x 40A (3P), FB 2x 30A (2P), FB 4x 60A (2P) |
| 2 | DFK-35 | Time Clock, HtrCont - 4x 40A (3P), FanCont - 1x 40A (3P), FB 2x 30A (3P), FB 4x 60A (3P) |
| 2 | DFK-36 | Time Clock, HtrCont - 4x 40A (3P), FanCont - 1x 50A (3P), FB 2x 30A (2P), FB 4x 60A (2P) |
| 2 | DFK-37 | Time Clock, HtrCont - 4x 40A (3P), FanCont - 1x 50A (3P), FB 2x 30A (3P), FB 4x 60A (3P) |
| 2 | DFK-38 | Time Clock, HtrCont - 4x 50A (3P), FanCont - 1x 50A (3P), FB 2x 30A (3P), FB 4x 60A (3P) |
| 1 | DFK-39 | Time Clock, HtrCont1 - 1x 40A (3P), HtrCont2 - 2x 50A (3P), FanCont - 1x 40A (3P), FB 4x 60A (3P) |

NOTE: HtrCont = Heater Contactor, FanCont = Fan Contactor, FB = Fuse Block, (1P), (2P), (3P) = Number of Poles

(cont'd)

Fuse Packages

| Package Part Number | Description |
|---------------------|----------------------------|
| FP-001 | FUSES (1) 15AMP |
| FP-002 | FUSES (1) 20AMP |
| FP-003 | FUSES (1) 25AMP |
| FP-004 | FUSES (2) 15AMP |
| FP-006 | FUSES (2) 20AMP |
| FP-007 | FUSES (2) 25AMP |
| FP-008 | FUSES (4) 15AMP |
| FP-010 | FUSES (4) 25AMP |
| FP-012 | FUSES (2) 35AMP |
| FP-013 | FUSES (3) 15AMP |
| FP-014 | FUSES (3) 20AMP |
| FP-015 | FUSES (4) 20AMP |
| FP-016 | FUSES (4) 20AMP (6) 45AMP |
| FP-017 | FUSES (4) 35AMP |
| FP-018 | FUSES (6) 15AMP |
| FP-019 | FUSES (6) 20AMP |
| FP-020 | FUSES (2) 30AMP |
| FP-021 | FUSES (4) 30AMP |
| FP-022 | FUSES (8) 15AMP |
| FP-023 | FUSES (2) 25AMP (3) 50AMP |
| FP-024 | FUSES (2) 20AMP (3) 45AMP |
| FP-025 | FUSES (6) 20AMP (6) 60AMP |
| FP-026 | FUSES (6) 15AMP (12) 40AMP |
| FP-027 | FUSES (6) 15AMP (6) 40AMP |
| FP-028 | FUSES (6) 20AMP (12) 40AMP |
| FP-029 | FUSES (6)15AMP (6) 50AMP |
| FP-030 | FUSES (6) 15AMP (6) 45AMP |
| FP-031 | FUSES (6) 15AMP (6) 35AMP |
| FP-032 | FUSES (6) 15AMP (6) 30AMP |
| FP-033 | FUSES (6) 25AMP (12) 50AMP |
| FP-034 | FUSES (6) 20AMP (12) 35AMP |
| FP-035 | FUSES (4) 25AMP (6) 50AMP |
| FP-036 | FUSES (6) 25AMP (12) 60AMP |
| FP-037 | FUSES (6) 20AMP (12) 60AMP |
| FP-038 | FUSES (6) 20AMP (12) 50AMP |
| FP-039 | FUSES (6) 20AMP (12) 45AMP |
| FP-040 | FUSES (6) 15AMP (12) 45AMP |
| FP-041 | FUSES (5) 15AMP |
| FP-042 | FUSES (10) 15AMP |
| FP-043 | FUSES (3) 25AMP (6) 60AMP |
| FP-044 | FUSES (3) 20AMP (6) 60AMP |
| FP-045 | FUSES (3) 20AMP (6) 50AMP |
| FP-046 | FUSES (3) 25AMP (6) 45AMP |
| FP-047 | FUSES (3) 15AMP (6) 45AMP |
| FP-048 | FUSES (4) 15AMP (4) 45AMP |
| FP-049 | FUSES (4) 15AMP (4) 40AMP |
| FP-050 | FUSES (3) 15AMP (3) 60AMP |
| FP-051 | FUSES (4) 20AMP (6) 50AMP |
| FP-052 | FUSES (4) 15AMP (6) 45AMP |
| FP-053 | FUSES (4) 15AMP (6) 30AMP |

| Package Part Number | Description |
|---------------------|-------------------------------------|
| FP-054 | FUSES (3)15AMP (6) 35AMP |
| FP-055 | FUSES (2) 15AMP (2) 45AMP |
| FP-056 | FUSES (2) 15AMP (2) 40AMP |
| FP-057 | FUSES (2) 20AMP (3) 50AMP |
| FP-058 | FUSES (2) 15AMP (3) 45AMP |
| FP-059 | FUSES (2) 15AMP (3) 30AMP |
| FP-060 | FUSES (2) 15AMP (2) 35AMP |
| FP-061 | FUSES (2) 15AMP (2) 50AMP |
| FP-062 | FUSES (2) 15AMP (2) 60AMP |
| FP-063 | FUSES (2) 15AMP (3) 25AMP |
| FP-064 | FUSES (2) 15AMP (3) 35AMP |
| FP-065 | FUSES (2) 15AMP (3) 40AMP |
| FP-066 | FUSES (2) 15AMP (3) 20AMP |
| FP-067 | FUSES (4) 15AMP (4) 35AMP |
| FP-068 | FUSES (4) 15AMP (4) 50AMP |
| FP-069 | FUSES (4) 15AMP (4) 60AMP |
| FP-070 | FUSES (4) 15AMP (6) 25AMP |
| FP-071 | FUSES (4) 15AMP (6) 35AMP |
| FP-072 | FUSES (4) 15AMP (6) 40AMP |
| FP-073 | FUSES (4) 15AMP (6) 20AMP |
| FP-074 | FUSES (3) 20AMP (3) 60AMP |
| FP-075 | FUSES (3) 20AMP (6) 35AMP |
| FP-076 | FUSES (3) 25AMP (6) 50AMP |
| FP-077 | FUSES (3) 35AMP (9) 45AMP |
| FP-078 | FUSES (3) 15AMP (3) 35AMP |
| FP-079 | FUSES (3)15AMP (3) 45AMP |
| FP-080 | FUSES (3) 15AMP (3) 50AMP |
| FP-081 | FUSES (3) 20AMP (6) 40AMP |
| FP-082 | FUSES (3) 15AMP (3) 40AMP |
| FP-083 | FUSES (3) 15AMP (6) 40AMP |
| FP-084 | FUSES (6) 15AMP (6) 60AMP |
| FP-085 | FUSES (6) 15AMP (12) 35AMP |
| FP-086 | FUSES (3) 35AMP (3) 45AMP (6) 60AMP |
| FP-087 | FUSES (4) 20AMP (4) 40AMP (4) 50AMP |
| FP-088 | FUSES (4) 15AMP (4) 35AMP (4) 40AMP |
| FP-089 | FUSES (2) 20AMP (2) 40AMP (2) 50AMP |
| FP-090 | FUSES (2) 15AMP (2) 35AMP (2) 40AMP |
| FP-091 | FUSES (2) 20AMP (2) 35AMP (2) 40AMP |
| FP-092 | FUSES (2) 25AMP (2) 40AMP (2) 50AMP |
| FP-093 | FUSES (4) 20AMP (4) 35AMP (4) 40AMP |
| FP-094 | FUSES (6) 15AMP (6) 25AMP |
| FP-095 | FUSES (3) 15AMP (3) 25AMP |
| FP-096 | FUSES (3) 15AMP (3) 30AMP |
| FP-097 | FUSES (4) 15AMP (4) 30AMP |
| FP-098 | FUSES (4) 15AMP (4) 25AMP |
| FP-099 | FUSES (4) 15AMP (4) 20AMP |
| FP-100 | FUSES (2) 15AMP (2) 20AMP |
| FP-101 | FUSES (2) 15AMP (2) 25AMP |
| FP-102 | FUSES (2) 15AMP (2) 30AMP |
| FP-103 | FUSES (4) 25AMP (4) 40AMP (4) 50AMP |

NOTE: FUSES 30AMP and Below - Class CC Type, FUSES 35AMP and Above - Class J Type



KeepRite Refrigeration
 Brantford, ON • Longview, TX
 1-800-463-9517 info@k-rp.com www.k-rp.com

