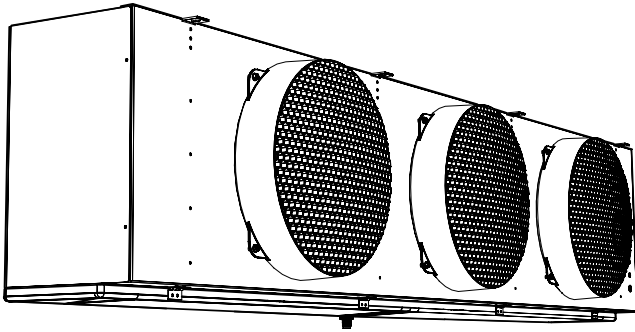




# KMP Medium Profile Evaporator

**60  
Hz**



## DEFROST KIT & FUSE PACKAGE SELECTION GUIDE

Bulletin K30-KMP-DFK


**PRODUCT SUPPORT**  
 web: [www.k-rp.com/kmp](http://www.k-rp.com/kmp)  
 email: [evaps@k-rp.com](mailto:evaps@k-rp.com)  
 call: 1-844-893-3222 x520



**For info on matched  
KeepRite condensing units,  
visit  
[www.k-rp.com/cu](http://www.k-rp.com/cu)**

**Defrost Kit &  
Fuse Package  
Online Selection Tool:  
[www.k-rp.com/dfk](http://www.k-rp.com/dfk)**

### NOMENCLATURE

**KMP 3 48 L E - T5 A - T**

Medium Profile Evaporator

Number of Fans

Nominal Capacity:  
x 1000 @ 10°F TD, Btu/H

Application Range:

- M = Medium to High Temp 6 FPI (10°F to 35°F Evap Temp) \*
- L = Low Temp 6 FPI (-40°F to 0°F Evap Temp)
- V = Low Temp 4 FPI (-40°F to 0°F Evap Temp)
- W = Fluid Air Cooler (with water or glycol)

\* except "488M", which is 8 FPI

**Motor:**

- C = PSC Motors
- T = SmartSpeed ECM
- V = Variable Speed EC Motors (Requires a Controller)

**Generation:** A = 1<sup>st</sup>

**Voltage:**

- S2 = 208-230/1/60
- S4 = 460/1/60
- S5 = 575/1/60
- T3 = 208-230/3/60
- T4 = 460/3/60
- T5 = 575/3/60

**Defrost:**

- A = Air
- E = Electric
- T = 3 Pipe Hot Gas w/ Electric Heater Pan  
or Warm Fluid w/ Electric Heater Pan for Fluid Air Coolers
- H = 3 Pipe Hot Gas w/ Hot Gas Loop Pan
- G = Reverse Cycle w/ Electric Heater Pan
- R = Reverse Cycle w/ Hot Gas Loop Pan

**Medium Temperature, 6 FPI, with standard PSC Motors**

TEMP	FPI	# of Fans	Model KMP	Voltage	1 X EVAPORATOR		2 X EVAPORATOR	
					Defrost Kit	Fuse Package	Defrost Kit	Fuse Package
ME - MEDIUM TEMPERATURE	6	1	118ME-S2A-C	208-230/1/60	DFK-10	FP-100	DFK-12	FP-099
			118ME-S4A-C	460/1/60	DFK-10	FP-008	DFK-12	FP-022
			118ME-S5A-C	575/1/60	DFK-10	FP-008	DFK-12	FP-022
			118ME-T3A-C	208-230/3/60	DFK-14	FP-041	DFK-18	FP-042
			118ME-T4A-C	460/3/60	DFK-14	FP-041	DFK-18	FP-042
			118ME-T5A-C	575/3/60	DFK-14	FP-041	DFK-18	FP-042
			122ME-S2A-C	208-230/1/60	DFK-10	FP-100	DFK-12	FP-099
			122ME-S4A-C	460/1/60	DFK-10	FP-008	DFK-12	FP-022
			122ME-S5A-C	575/1/60	DFK-10	FP-008	DFK-12	FP-022
			122ME-T3A-C	208-230/3/60	DFK-14	FP-041	DFK-18	FP-042
			122ME-T4A-C	460/3/60	DFK-14	FP-041	DFK-18	FP-042
			122ME-T5A-C	575/3/60	DFK-14	FP-041	DFK-18	FP-042
		2	228ME-S2A-C	208-230/1/60	DFK-15	FP-060	DFK-27	FP-067
			228ME-S4A-C	460/1/60	DFK-10	FP-100	DFK-12	FP-099
			228ME-S5A-C	575/1/60	DFK-10	FP-008	DFK-12	FP-022
			228ME-T3A-C	208-230/3/60	DFK-14	FP-063	DFK-18	FP-070
			228ME-T4A-C	460/3/60	DFK-14	FP-041	DFK-18	FP-042
			228ME-T5A-C	575/3/60	DFK-14	FP-041	DFK-18	FP-042
			236ME-S2A-C	208-230/1/60	DFK-15	FP-060	DFK-27	FP-067
			236ME-S4A-C	460/1/60	DFK-10	FP-100	DFK-12	FP-099
			236ME-S5A-C	575/1/60	DFK-10	FP-008	DFK-12	FP-022
			236ME-T3A-C	208-230/3/60	DFK-14	FP-063	DFK-18	FP-070
			236ME-T4A-C	460/3/60	DFK-14	FP-041	DFK-18	FP-042
			236ME-T5A-C	575/3/60	DFK-14	FP-041	DFK-18	FP-042
		3	245ME-S2A-C	208-230/1/60	DFK-15	FP-060	DFK-27	FP-067
			245ME-S4A-C	460/1/60	DFK-10	FP-100	DFK-12	FP-099
			245ME-S5A-C	575/1/60	DFK-10	FP-008	DFK-12	FP-022
			245ME-T3A-C	208-230/3/60	DFK-14	FP-063	DFK-18	FP-070
			245ME-T4A-C	460/3/60	DFK-14	FP-041	DFK-18	FP-042
			245ME-T5A-C	575/3/60	DFK-14	FP-041	DFK-18	FP-042
			355ME-S2A-C	208-230/1/60	DFK-15	FP-061	DFK-27	FP-068
			355ME-S4A-C	460/1/60	DFK-10	FP-101	DFK-12	FP-098
			355ME-S5A-C	575/1/60	DFK-10	FP-100	DFK-12	FP-099
			355ME-T3A-C	208-230/3/60	DFK-16	FP-064	DFK-28	FP-071
			355ME-T4A-C	460/3/60	DFK-14	FP-066	DFK-18	FP-073
			355ME-T5A-C	575/3/60	DFK-14	FP-041	DFK-18	FP-042
		4	368ME-S2A-C	208-230/1/60	DFK-15	FP-061	DFK-27	FP-068
			368ME-S4A-C	460/1/60	DFK-10	FP-101	DFK-12	FP-098
			368ME-S5A-C	575/1/60	DFK-10	FP-100	DFK-12	FP-099
			368ME-T3A-C	208-230/3/60	DFK-16	FP-064	DFK-28	FP-071
			368ME-T4A-C	460/3/60	DFK-14	FP-066	DFK-18	FP-073
			368ME-T5A-C	575/3/60	DFK-14	FP-041	DFK-18	FP-042
			480ME-S2A-C	208-230/1/60	DFK-21	FP-062	DFK-32	FP-069
			480ME-S4A-C	460/1/60	DFK-10	FP-102	DFK-19	FP-097
			480ME-S5A-C	575/1/60	DFK-10	FP-101	DFK-12	FP-098
			480ME-T3A-C	208-230/3/60	DFK-16	FP-065	DFK-28	FP-072
			480ME-T4A-C	460/3/60	DFK-14	FP-066	DFK-18	FP-073
			480ME-T5A-C	575/3/60	DFK-14	FP-066	DFK-18	FP-073
4	488ME-S2A-C	208-230/1/60	DFK-21	FP-062	DFK-32	FP-069		
	488ME-S4A-C	460/1/60	DFK-10	FP-102	DFK-19	FP-097		
	488ME-S5A-C	575/1/60	DFK-10	FP-101	DFK-12	FP-098		
	488ME-T3A-C	208-230/3/60	DFK-16	FP-065	DFK-28	FP-072		
	488ME-T4A-C	460/3/60	DFK-14	FP-066	DFK-18	FP-073		
	488ME-T5A-C	575/3/60	DFK-14	FP-066	DFK-18	FP-073		

**KMP MEDIUM PROFILE EVAPORATORS  
w/ Standard PSC Motors (cont'd)**

**Low Temperature, 6 FPI, with standard PSC Motors**

TEMP	FPI	# of Fans	Model KMP	Voltage	1 X EVAPORATOR		2 X EVAPORATOR	
					Defrost Kit	Fuse Package	Defrost Kit	Fuse Package
LE - LOW TEMPERATURE	6	1	116LE-S2A-C	208-230/1/60	DFK-10	FP-100	DFK-12	FP-099
			116LE-S4A-C	460/1/60	DFK-10	FP-008	DFK-12	FP-022
			116LE-S5A-C	575/1/60	DFK-10	FP-008	DFK-12	FP-022
			116LE-T3A-C	208-230/3/60	DFK-14	FP-041	DFK-18	FP-042
			116LE-T4A-C	460/3/60	DFK-14	FP-041	DFK-18	FP-042
			116LE-T5A-C	575/3/60	DFK-14	FP-041	DFK-18	FP-042
			119LE-S2A-C	208-230/1/60	DFK-10	FP-100	DFK-12	FP-099
			119LE-S4A-C	460/1/60	DFK-10	FP-008	DFK-12	FP-022
			119LE-S5A-C	575/1/60	DFK-10	FP-008	DFK-12	FP-022
			119LE-T3A-C	208-230/3/60	DFK-14	FP-041	DFK-18	FP-042
			119LE-T4A-C	460/3/60	DFK-14	FP-041	DFK-18	FP-042
			119LE-T5A-C	575/3/60	DFK-14	FP-041	DFK-18	FP-042
		2	225LE-S2A-C	208-230/1/60	DFK-15	FP-060	DFK-27	FP-067
			225LE-S4A-C	460/1/60	DFK-10	FP-100	DFK-12	FP-099
			225LE-S5A-C	575/1/60	DFK-10	FP-008	DFK-12	FP-022
			225LE-T3A-C	208-230/3/60	DFK-14	FP-063	DFK-18	FP-070
			225LE-T4A-C	460/3/60	DFK-14	FP-041	DFK-18	FP-042
			225LE-T5A-C	575/3/60	DFK-14	FP-041	DFK-18	FP-042
			232LE-S2A-C	208-230/1/60	DFK-15	FP-060	DFK-27	FP-067
			232LE-S4A-C	460/1/60	DFK-10	FP-100	DFK-12	FP-099
			232LE-S5A-C	575/1/60	DFK-10	FP-008	DFK-12	FP-022
			232LE-T3A-C	208-230/3/60	DFK-14	FP-063	DFK-18	FP-070
			232LE-T4A-C	460/3/60	DFK-14	FP-041	DFK-18	FP-042
			232LE-T5A-C	575/3/60	DFK-14	FP-041	DFK-18	FP-042
		3	240LE-S2A-C	208-230/1/60	DFK-15	FP-060	DFK-27	FP-067
			240LE-S4A-C	460/1/60	DFK-10	FP-100	DFK-12	FP-099
			240LE-S5A-C	575/1/60	DFK-10	FP-008	DFK-12	FP-022
			240LE-T3A-C	208-230/3/60	DFK-14	FP-063	DFK-18	FP-070
			240LE-T4A-C	460/3/60	DFK-14	FP-041	DFK-18	FP-042
			240LE-T5A-C	575/3/60	DFK-14	FP-041	DFK-18	FP-042
			348LE-S2A-C	208-230/1/60	DFK-15	FP-061	DFK-27	FP-068
			348LE-S4A-C	460/1/60	DFK-10	FP-101	DFK-12	FP-098
			348LE-S5A-C	575/1/60	DFK-10	FP-100	DFK-12	FP-099
			348LE-T3A-C	208-230/3/60	DFK-16	FP-064	DFK-28	FP-071
			348LE-T4A-C	460/3/60	DFK-14	FP-066	DFK-18	FP-073
			348LE-T5A-C	575/3/60	DFK-14	FP-041	DFK-18	FP-042
		4	356LE-S2A-C	208-230/1/60	DFK-15	FP-061	DFK-27	FP-068
			356LE-S4A-C	460/1/60	DFK-10	FP-101	DFK-12	FP-098
			356LE-S5A-C	575/1/60	DFK-10	FP-100	DFK-12	FP-099
			356LE-T3A-C	208-230/3/60	DFK-16	FP-064	DFK-28	FP-071
			356LE-T4A-C	460/3/60	DFK-14	FP-066	DFK-18	FP-073
			356LE-T5A-C	575/3/60	DFK-14	FP-041	DFK-18	FP-042
			471LE-S2A-C	208-230/1/60	DFK-21	FP-062	DFK-32	FP-069
			471LE-S4A-C	460/1/60	DFK-10	FP-102	DFK-19	FP-097
			471LE-S5A-C	575/1/60	DFK-10	FP-101	DFK-12	FP-098
			471LE-T3A-C	208-230/3/60	DFK-16	FP-065	DFK-28	FP-072
			471LE-T4A-C	460/3/60	DFK-14	FP-066	DFK-18	FP-073
			471LE-T5A-C	575/3/60	DFK-14	FP-066	DFK-18	FP-073

**KMP MEDIUM PROFILE EVAPORATORS  
w/ Standard PSC Motors (cont'd)**

**Low Temperature, 4 FPI, with standard PSC Motors**

TEMP	FPI	# of Fans	Model KMP	Voltage	1 X EVAPORATOR		2 X EVAPORATOR	
					Defrost Kit	Fuse Package	Defrost Kit	Fuse Package
VE - VERY LOW TEMPERATURE	4	1	113VE-S2A-C	208-230/1/60	DFK-10	FP-100	DFK-12	FP-099
			113VE-S4A-C	460/1/60	DFK-10	FP-008	DFK-12	FP-022
			113VE-S5A-C	575/1/60	DFK-10	FP-008	DFK-12	FP-022
			113VE-T3A-C	208-230/3/60	DFK-14	FP-041	DFK-18	FP-042
			113VE-T4A-C	460/3/60	DFK-14	FP-041	DFK-18	FP-042
			113VE-T5A-C	575/3/60	DFK-14	FP-041	DFK-18	FP-042
			117VE-S2A-C	208-230/1/60	DFK-10	FP-100	DFK-12	FP-099
			117VE-S4A-C	460/1/60	DFK-10	FP-008	DFK-12	FP-022
			117VE-S5A-C	575/1/60	DFK-10	FP-008	DFK-12	FP-022
			117VE-T3A-C	208-230/3/60	DFK-14	FP-041	DFK-18	FP-042
		117VE-T4A-C	460/3/60	DFK-14	FP-041	DFK-18	FP-042	
		117VE-T5A-C	575/3/60	DFK-14	FP-041	DFK-18	FP-042	
		2	222VE-S2A-C	208-230/1/60	DFK-15	FP-060	DFK-27	FP-067
			222VE-S4A-C	460/1/60	DFK-10	FP-100	DFK-12	FP-099
			222VE-S5A-C	575/1/60	DFK-10	FP-008	DFK-12	FP-022
			222VE-T3A-C	208-230/3/60	DFK-14	FP-063	DFK-18	FP-070
			222VE-T4A-C	460/3/60	DFK-14	FP-041	DFK-18	FP-042
			222VE-T5A-C	575/3/60	DFK-14	FP-041	DFK-18	FP-042
			228VE-S2A-C	208-230/1/60	DFK-15	FP-060	DFK-27	FP-067
			228VE-S4A-C	460/1/60	DFK-10	FP-100	DFK-12	FP-099
			228VE-S5A-C	575/1/60	DFK-10	FP-008	DFK-12	FP-022
			228VE-T3A-C	208-230/3/60	DFK-14	FP-063	DFK-18	FP-070
		228VE-T4A-C	460/3/60	DFK-14	FP-041	DFK-18	FP-042	
		228VE-T5A-C	575/3/60	DFK-14	FP-041	DFK-18	FP-042	
		3	234VE-S2A-C	208-230/1/60	DFK-15	FP-060	DFK-27	FP-067
			234VE-S4A-C	460/1/60	DFK-10	FP-100	DFK-12	FP-099
			234VE-S5A-C	575/1/60	DFK-10	FP-008	DFK-12	FP-022
			234VE-T3A-C	208-230/3/60	DFK-14	FP-063	DFK-18	FP-070
			234VE-T4A-C	460/3/60	DFK-14	FP-041	DFK-18	FP-042
			234VE-T5A-C	575/3/60	DFK-14	FP-041	DFK-18	FP-042
			339VE-S2A-C	208-230/1/60	DFK-15	FP-061	DFK-27	FP-068
			339VE-S4A-C	460/1/60	DFK-10	FP-101	DFK-12	FP-098
			339VE-S5A-C	575/1/60	DFK-10	FP-100	DFK-12	FP-099
			339VE-T3A-C	208-230/3/60	DFK-16	FP-064	DFK-28	FP-071
		339VE-T4A-C	460/3/60	DFK-14	FP-066	DFK-18	FP-073	
		339VE-T5A-C	575/3/60	DFK-14	FP-041	DFK-18	FP-042	
		4	350VE-S2A-C	208-230/1/60	DFK-15	FP-061	DFK-27	FP-068
			350VE-S4A-C	460/1/60	DFK-10	FP-101	DFK-12	FP-098
			350VE-S5A-C	575/1/60	DFK-10	FP-100	DFK-12	FP-099
			350VE-T3A-C	208-230/3/60	DFK-16	FP-064	DFK-28	FP-071
350VE-T4A-C	460/3/60		DFK-14	FP-066	DFK-18	FP-073		
350VE-T5A-C	575/3/60		DFK-14	FP-041	DFK-18	FP-042		
459VE-S2A-C	208-230/1/60		DFK-21	FP-062	DFK-32	FP-069		
459VE-S4A-C	460/1/60		DFK-10	FP-102	DFK-19	FP-097		
459VE-S5A-C	575/1/60		DFK-10	FP-101	DFK-12	FP-098		
459VE-T3A-C	208-230/3/60		DFK-16	FP-065	DFK-28	FP-072		
459VE-T4A-C	460/3/60	DFK-14	FP-066	DFK-18	FP-073			
459VE-T5A-C	575/3/60	DFK-14	FP-066	DFK-18	FP-073			

## KMP MEDIUM PROFILE EVAPORATORS with optional SMARTSPEED™ EC Motors (cont'd)

### Medium Temperature, 6 FPI, with optional SMARTSPEED™ EC Motors

TEMP	FPI	# of Fans	Model KMP	Voltage	1 X EVAPORATOR		2 X EVAPORATOR	
					Defrost Kit	Fuse Package	Defrost Kit	Fuse Package
ME - MEDIUM TEMPERATURE	6	1	118ME-S2A-T	208-230/1/60	DFK-10	FP-100	DFK-12	FP-099
			118ME-T3A-T	208-230/3/60	DFK-14	FP-041	DFK-18	FP-042
			122ME-S2A-T	208-230/1/60	DFK-10	FP-100	DFK-12	FP-099
			122ME-T3A-T	208-230/3/60	DFK-14	FP-041	DFK-18	FP-042
		2	228ME-S2A-T	208-230/1/60	DFK-15	FP-060	DFK-27	FP-067
			228ME-T3A-T	208-230/3/60	DFK-14	FP-063	DFK-18	FP-070
			236ME-S2A-T	208-230/1/60	DFK-15	FP-060	DFK-27	FP-067
			236ME-T3A-T	208-230/3/60	DFK-14	FP-063	DFK-18	FP-070
			245ME-S2A-T	208-230/1/60	DFK-15	FP-060	DFK-27	FP-067
			245ME-T3A-T	208-230/3/60	DFK-14	FP-063	DFK-18	FP-070
		3	355ME-S2A-T	208-230/1/60	DFK-15	FP-061	DFK-27	FP-068
			355ME-T3A-T	208-230/3/60	DFK-16	FP-064	DFK-28	FP-071
			368ME-S2A-T	208-230/1/60	DFK-15	FP-061	DFK-27	FP-068
			368ME-T3A-T	208-230/3/60	DFK-16	FP-064	DFK-28	FP-071
		4	480ME-S2A-T	208-230/1/60	DFK-21	FP-062	DFK-32	FP-069
			480ME-T3A-T	208-230/3/60	DFK-16	FP-065	DFK-28	FP-072
			488ME-S2A-T	208-230/1/60	DFK-21	FP-062	DFK-32	FP-069
			488ME-T3A-T	208-230/3/60	DFK-16	FP-065	DFK-28	FP-072

### Low Temperature, 6 FPI, with optional SMARTSPEED™ EC Motors

TEMP	FPI	# of Fans	Model KMP	Voltage	1 X EVAPORATOR		2 X EVAPORATOR	
					Defrost Kit	Fuse Package	Defrost Kit	Fuse Package
LE - LOW TEMPERATURE	6	1	116LE-S2A-T	208-230/1/60	DFK-10	FP-100	DFK-12	FP-099
			116LE-T3A-T	208-230/3/60	DFK-14	FP-041	DFK-18	FP-042
			119LE-S2A-T	208-230/1/60	DFK-10	FP-100	DFK-12	FP-099
			119LE-T3A-T	208-230/3/60	DFK-14	FP-041	DFK-18	FP-042
		2	225LE-S2A-T	208-230/1/60	DFK-15	FP-060	DFK-27	FP-067
			225LE-T3A-T	208-230/3/60	DFK-14	FP-063	DFK-18	FP-070
			232LE-S2A-T	208-230/1/60	DFK-15	FP-060	DFK-27	FP-067
			232LE-T3A-T	208-230/3/60	DFK-14	FP-063	DFK-18	FP-070
			240LE-S2A-T	208-230/1/60	DFK-15	FP-060	DFK-27	FP-067
			240LE-T3A-T	208-230/3/60	DFK-14	FP-063	DFK-18	FP-070
		3	348LE-S2A-T	208-230/1/60	DFK-15	FP-061	DFK-27	FP-068
			348LE-T3A-T	208-230/3/60	DFK-16	FP-064	DFK-28	FP-071
			356LE-S2A-T	208-230/1/60	DFK-15	FP-061	DFK-27	FP-068
			356LE-T3A-T	208-230/3/60	DFK-16	FP-064	DFK-28	FP-071
		4	471LE-S2A-T	208-230/1/60	DFK-21	FP-062	DFK-32	FP-069
			471LE-T3A-T	208-230/3/60	DFK-16	FP-065	DFK-28	FP-072

### Very Low Temperature, 4 FPI, with optional SMARTSPEED™ EC Motors

TEMP	FPI	# of Fans	Model KMP	Voltage	1 X EVAPORATOR		2 X EVAPORATOR	
					Defrost Kit	Fuse Package	Defrost Kit	Fuse Package
VE - VERY LOW TEMPERATURE	6	1	113VE-S2A-T	208-230/1/60	DFK-10	FP-100	DFK-12	FP-099
			113VE-T3A-T	208-230/3/60	DFK-14	FP-041	DFK-18	FP-042
			117VE-S2A-T	208-230/1/60	DFK-10	FP-100	DFK-12	FP-099
			117VE-T3A-T	208-230/3/60	DFK-14	FP-041	DFK-18	FP-042
		2	222VE-S2A-T	208-230/1/60	DFK-15	FP-060	DFK-27	FP-067
			222VE-T3A-T	208-230/3/60	DFK-14	FP-063	DFK-18	FP-070
			228VE-S2A-T	208-230/1/60	DFK-15	FP-060	DFK-27	FP-067
			228VE-T3A-T	208-230/3/60	DFK-14	FP-063	DFK-18	FP-070
			234VE-S2A-T	208-230/1/60	DFK-15	FP-060	DFK-27	FP-067
			234VE-T3A-T	208-230/3/60	DFK-14	FP-063	DFK-18	FP-070
		3	339VE-S2A-T	208-230/1/60	DFK-15	FP-061	DFK-27	FP-068
			339VE-T3A-T	208-230/3/60	DFK-16	FP-064	DFK-28	FP-071
			350VE-S2A-T	208-230/1/60	DFK-15	FP-061	DFK-27	FP-068
			350VE-T3A-T	208-230/3/60	DFK-16	FP-064	DFK-28	FP-071
		4	459VE-S2A-T	208-230/1/60	DFK-21	FP-062	DFK-32	FP-069
			459VE-T3A-T	208-230/3/60	DFK-16	FP-065	DFK-28	FP-072



**Medium Temperature, 6 FPI, with Variable Speed EC Motors**

TEMP	FPI	# of Fans	Model KMP	Voltage	1 X EVAPORATOR		2 X EVAPORATOR	
					Defrost Kit	Fuse Package	Defrost Kit	Fuse Package
ME - MEDIUM TEMPERATURE	6	1	118ME-S2A-V	208-230/1/60	DFK-10	FP-100	DFK-12	FP-099
			118ME-S4A-V	460/1/60	DFK-10	FP-008	DFK-12	FP-022
			118ME-T3A-V	208-230/3/60	DFK-14	FP-041	DFK-18	FP-042
			118ME-T4A-V	460/3/60	DFK-14	FP-041	DFK-18	FP-042
			122ME-S2A-V	208-230/1/60	DFK-10	FP-100	DFK-12	FP-099
			122ME-S4A-V	460/1/60	DFK-10	FP-008	DFK-12	FP-022
			122ME-T3A-V	208-230/3/60	DFK-14	FP-041	DFK-18	FP-042
			122ME-T4A-V	460/3/60	DFK-14	FP-041	DFK-18	FP-042
		2	228ME-S2A-V	208-230/1/60	DFK-15	FP-060	DFK-27	FP-067
			228ME-S4A-V	460/1/60	DFK-10	FP-100	DFK-12	FP-099
			228ME-T3A-V	208-230/3/60	DFK-14	FP-063	DFK-18	FP-070
			228ME-T4A-V	460/3/60	DFK-14	FP-041	DFK-18	FP-042
			236ME-S2A-V	208-230/1/60	DFK-15	FP-060	DFK-27	FP-067
			236ME-S4A-V	460/1/60	DFK-10	FP-100	DFK-12	FP-099
			236ME-T3A-V	208-230/3/60	DFK-14	FP-063	DFK-18	FP-070
			236ME-T4A-V	460/3/60	DFK-14	FP-041	DFK-18	FP-042
		3	245ME-S2A-V	208-230/1/60	DFK-15	FP-060	DFK-27	FP-067
			245ME-S4A-V	460/1/60	DFK-10	FP-100	DFK-12	FP-099
			245ME-T3A-V	208-230/3/60	DFK-14	FP-063	DFK-18	FP-070
			245ME-T4A-V	460/3/60	DFK-14	FP-041	DFK-18	FP-042
			355ME-S2A-V	208-230/1/60	DFK-15	FP-061	DFK-27	FP-068
			355ME-S4A-V	460/1/60	DFK-10	FP-101	DFK-12	FP-098
			355ME-T3A-V	208-230/3/60	DFK-16	FP-064	DFK-28	FP-071
			355ME-T4A-V	460/3/60	DFK-14	FP-066	DFK-18	FP-073
		4	368ME-S2A-V	208-230/1/60	DFK-15	FP-061	DFK-27	FP-068
			368ME-S4A-V	460/1/60	DFK-10	FP-101	DFK-12	FP-098
			368ME-T3A-V	208-230/3/60	DFK-16	FP-064	DFK-28	FP-071
			368ME-T4A-V	460/3/60	DFK-14	FP-066	DFK-18	FP-073
			480ME-S2A-V	208-230/1/60	DFK-21	FP-062	DFK-32	FP-069
			480ME-S4A-V	460/1/60	DFK-10	FP-102	DFK-19	FP-097
			480ME-T3A-V	208-230/3/60	DFK-16	FP-065	DFK-28	FP-072
			480ME-T4A-V	460/3/60	DFK-14	FP-066	DFK-18	FP-073
			488ME-S2A-V	208-230/1/60	DFK-21	FP-062	DFK-32	FP-069
			488ME-S4A-V	460/1/60	DFK-10	FP-102	DFK-19	FP-097
			488ME-T3A-V	208-230/3/60	DFK-16	FP-065	DFK-28	FP-072
			488ME-T4A-V	460/3/60	DFK-14	FP-066	DFK-18	FP-073

**Low Temperature, 6 FPI, with Variable Speed EC Motors**

TEMP	FPI	# of Fans	Model KMP	Voltage	1 X EVAPORATOR		2 X EVAPORATOR	
					Defrost Kit	Fuse Package	Defrost Kit	Fuse Package
LE - LOW TEMPERATURE	6	1	116LE-S2A-V	208-230/1/60	DFK-10	FP-100	DFK-12	FP-099
			116LE-S4A-V	460/1/60	DFK-10	FP-008	DFK-12	FP-022
			116LE-T3A-V	208-230/3/60	DFK-14	FP-041	DFK-18	FP-042
			116LE-T4A-V	460/3/60	DFK-14	FP-041	DFK-18	FP-042
			119LE-S2A-V	208-230/1/60	DFK-10	FP-100	DFK-12	FP-099
			119LE-S4A-V	460/1/60	DFK-10	FP-008	DFK-12	FP-022
			119LE-T3A-V	208-230/3/60	DFK-14	FP-041	DFK-18	FP-042
			119LE-T4A-V	460/3/60	DFK-14	FP-041	DFK-18	FP-042
		2	225LE-S2A-V	208-230/1/60	DFK-15	FP-060	DFK-27	FP-067
			225LE-S4A-V	460/1/60	DFK-10	FP-100	DFK-12	FP-099
			225LE-T3A-V	208-230/3/60	DFK-14	FP-063	DFK-18	FP-070
			225LE-T4A-V	460/3/60	DFK-14	FP-041	DFK-18	FP-042
			232LE-S2A-V	208-230/1/60	DFK-15	FP-060	DFK-27	FP-067
			232LE-S4A-V	460/1/60	DFK-10	FP-100	DFK-12	FP-099
			232LE-T3A-V	208-230/3/60	DFK-14	FP-063	DFK-18	FP-070
			232LE-T4A-V	460/3/60	DFK-14	FP-041	DFK-18	FP-042
		3	240LE-S2A-V	208-230/1/60	DFK-15	FP-060	DFK-27	FP-067
			240LE-S4A-V	460/1/60	DFK-10	FP-100	DFK-12	FP-099
			240LE-T3A-V	208-230/3/60	DFK-14	FP-063	DFK-18	FP-070
			240LE-T4A-V	460/3/60	DFK-14	FP-041	DFK-18	FP-042
			348LE-S2A-V	208-230/1/60	DFK-15	FP-061	DFK-27	FP-068
			348LE-S4A-V	460/1/60	DFK-10	FP-101	DFK-12	FP-098
			348LE-T3A-V	208-230/3/60	DFK-16	FP-064	DFK-28	FP-071
			348LE-T4A-V	460/3/60	DFK-14	FP-066	DFK-18	FP-073
		4	356LE-S2A-V	208-230/1/60	DFK-15	FP-061	DFK-27	FP-068
			356LE-S4A-V	460/1/60	DFK-10	FP-101	DFK-12	FP-098
			356LE-T3A-V	208-230/3/60	DFK-16	FP-064	DFK-28	FP-071
			356LE-T4A-V	460/3/60	DFK-14	FP-066	DFK-18	FP-073
			471LE-S2A-V	208-230/1/60	DFK-21	FP-062	DFK-32	FP-069
			471LE-S4A-V	460/1/60	DFK-10	FP-102	DFK-19	FP-097
			471LE-T3A-V	208-230/3/60	DFK-16	FP-065	DFK-28	FP-072
			471LE-T4A-V	460/3/60	DFK-14	FP-066	DFK-18	FP-073

**Very Low Temperature, 4 FPI, with Variable Speed EC Motors**

TEMP	FPI	# of Fans	Model KMP	Voltage	1 X EVAPORATOR		2 X EVAPORATOR	
					Defrost Kit	Fuse Package	Defrost Kit	Fuse Package
VE - VERY LOW TEMPERATURE	6	1	113VE-S2A-V	208-230/1/60	DFK-10	FP-100	DFK-12	FP-099
			113VE-S4A-V	460/1/60	DFK-10	FP-008	DFK-12	FP-022
			113VE-T3A-V	208-230/3/60	DFK-14	FP-041	DFK-18	FP-042
			113VE-T4A-V	460/3/60	DFK-14	FP-041	DFK-18	FP-042
			117VE-S2A-V	208-230/1/60	DFK-10	FP-100	DFK-12	FP-099
			117VE-S4A-V	460/1/60	DFK-10	FP-008	DFK-12	FP-022
			117VE-T3A-V	208-230/3/60	DFK-14	FP-041	DFK-18	FP-042
			117VE-T4A-V	460/3/60	DFK-14	FP-041	DFK-18	FP-042
		2	222VE-S2A-V	208-230/1/60	DFK-15	FP-060	DFK-27	FP-067
			222VE-S4A-V	460/1/60	DFK-10	FP-100	DFK-12	FP-099
			222VE-T3A-V	208-230/3/60	DFK-14	FP-063	DFK-18	FP-070
			222VE-T4A-V	460/3/60	DFK-14	FP-041	DFK-18	FP-042
			228VE-S2A-V	208-230/1/60	DFK-15	FP-060	DFK-27	FP-067
			228VE-S4A-V	460/1/60	DFK-10	FP-100	DFK-12	FP-099
			228VE-T3A-V	208-230/3/60	DFK-14	FP-063	DFK-18	FP-070
			228VE-T4A-V	460/3/60	DFK-14	FP-041	DFK-18	FP-042
		3	234VE-S2A-V	208-230/1/60	DFK-15	FP-060	DFK-27	FP-067
			234VE-S4A-V	460/1/60	DFK-10	FP-100	DFK-12	FP-099
			234VE-T3A-V	208-230/3/60	DFK-14	FP-063	DFK-18	FP-070
			234VE-T4A-V	460/3/60	DFK-14	FP-041	DFK-18	FP-042
			339VE-S2A-V	208-230/1/60	DFK-15	FP-061	DFK-27	FP-068
			339VE-S4A-V	460/1/60	DFK-10	FP-101	DFK-12	FP-098
			339VE-T3A-V	208-230/3/60	DFK-16	FP-064	DFK-28	FP-071
			339VE-T4A-V	460/3/60	DFK-14	FP-066	DFK-18	FP-073
		4	350VE-S2A-V	208-230/1/60	DFK-15	FP-061	DFK-27	FP-068
			350VE-S4A-V	460/1/60	DFK-10	FP-101	DFK-12	FP-098
			350VE-T3A-V	208-230/3/60	DFK-16	FP-064	DFK-28	FP-071
			350VE-T4A-V	460/3/60	DFK-14	FP-066	DFK-18	FP-073
			459VE-S2A-V	208-230/1/60	DFK-21	FP-062	DFK-32	FP-069
			459VE-S4A-V	460/1/60	DFK-10	FP-102	DFK-19	FP-097
			459VE-T3A-V	208-230/3/60	DFK-16	FP-065	DFK-28	FP-072
			459VE-T4A-V	460/3/60	DFK-14	FP-066	DFK-18	FP-073

**Defrost Kits**

Number of Evaps.	Kit Part Number	Description
1	<b>DFK-01</b>	Time Clock, HtrCont - 1x 40A (3P), FB 1x 30A (1P)
1	<b>DFK-02</b>	Time Clock, HtrCont - 1x 40A (3P), FB 1x 30A (2P)
1	<b>DFK-03</b>	Time Clock, HtrCont - 1x 40A (3P), FB 1x 30A (3P)
1	<b>DFK-04</b>	Time Clock, HtrCont - 1x 40A (3P), FB 1x 60A (2P)
2	<b>DFK-05</b>	Time Clock, HtrCont - 1x 40A (3P), FB 2x 30A (1P)
2	<b>DFK-06</b>	Time Clock, HtrCont - 1x 40A (3P), FB 2x 30A (2P)
2	<b>DFK-07</b>	Time Clock, HtrCont - 1x 40A (3P), FB 2x 30A (3P)
2	<b>DFK-08</b>	Time Clock, HtrCont - 1x 50A (3P), FB 2x 60A (2P)
2	<b>DFK-09</b>	Time Clock, HtrCont - 1x 50A (3P), FB 2x 30A (2P)
1	<b>DFK-10</b>	Time Clock, HtrCont - 1x 40A (3P), FanCont - 1x 40A (3P), FB 2x 30A (2P)
1	<b>DFK-11</b>	Time Clock, HtrCont - 1x 40A (3P), FanCont - 1x 40A (3P), FB 2x 30A (3P)
2	<b>DFK-12</b>	Time Clock, HtrCont - 1x 40A (3P), FanCont - 1x 40A (3P), FB 4x 30A (2P)
2	<b>DFK-13</b>	Time Clock, HtrCont - 1x 40A (3P), FanCont - 1x 40A (3P), FB 4x 30A (3P)
1	<b>DFK-14</b>	Time Clock, HtrCont - 1x 40A (3P), FanCont - 1x 40A (3P), FB 1x 30A (2P), FB 1x 30A (3P)
1	<b>DFK-15</b>	Time Clock, HtrCont - 1x40A (3P), FanCont - 1x 40A (3P), FB 1x 30A (2P), FB 1x 60A (2P)
1	<b>DFK-16</b>	Time Clock, HtrCont - 1x 40A (3P), FanCont - 1x 40A (3P), FB 1x 30A (2P), FB 1x 60A (3P)
1	<b>DFK-17</b>	Time Clock, HtrCont - 1x 40A (3P), FanCont - 1x 40A (3P), FB 1x 30A (3P), FB 1x 60A (3P)
2	<b>DFK-18</b>	Time Clock, HtrCont - 1x 40A (3P), FanCont - 1x 40A (3P), FB 2x 30A (2P), FB 2x 30A (3P)
2	<b>DFK-19</b>	Time Clock, HtrCont - 1x 50A (3P), FanCont - 1x 40A (3P), FB 4x 30A (2P)
2	<b>DFK-20</b>	Time Clock, HtrCont - 1x 50A (3P), FanCont - 1x 40A (3P), FB 4x 30A (3P)
1	<b>DFK-21</b>	Time Clock, HtrCont - 1x 50A (3P), FanCont - 1x 40A (3P), FB 1x 30A (2P), FB 1x 60A (2P)
1	<b>DFK-22</b>	Time Clock, HtrCont - 1x 50A (3P), FanCont - 1x 40A (3P), FB 1x 30A (3P), FB 1x 60A (3P)
2	<b>DFK-23</b>	Time Clock, HtrCont - 1x 50A (3P), FanCont - 1x 40A (3P), FB 2x 30A (2P), FB 2x 30A (3P)
2	<b>DFK-24</b>	Time Clock, HtrCont - 1x 50A (3P), FanCont - 1x 40A (3P), FB 2x 30A (3P), FB 2x 60A (3P)
1	<b>DFK-25</b>	Time Clock, HtrCont - 2x 40A (3P), FanCont - 1x 40A (3P), FB 1x 30A (2P), FB 2x 60A (2P)
1	<b>DFK-26</b>	Time Clock, HtrCont - 2x 40A (3P), FanCont - 1x 40A (3P), FB 1x 30A (3P), FB 2x 60A (3P)
2	<b>DFK-27</b>	Time Clock, HtrCont - 2x 40A (3P), FanCont - 1x 40A (3P), FB 2x 30A (2P), FB 2x 60A (2P)
2	<b>DFK-28</b>	Time Clock, HtrCont - 2x 40A (3P), FanCont - 1x 40A (3P), FB 2x 30A (2P), FB 2x 60A (3P)
2	<b>DFK-29</b>	Time Clock, HtrCont - 2x 40A (3P), FanCont - 1x 40A (3P), FB 2x 30A (3P), FB 2x 60A (3P)
2	<b>DFK-30</b>	Time Clock, HtrCont - 2x 40A (3P), FanCont - 1x 50A (3P), FB 2x 30A (2P), FB 2x 60A (3P)
1	<b>DFK-31</b>	Time Clock, HtrCont - 2x 50A (3P), FanCont - 1x 40A (3P), FB 1x 30A (3P), FB 2x 60A (3P)
2	<b>DFK-32</b>	Time Clock, HtrCont - 2x 50A (3P), FanCont - 1x 40A (3P), FB 2x 30A (2P), FB 2x 60A (2P)
2	<b>DFK-33</b>	Time Clock, HtrCont - 2x 50A (3P), FanCont - 1x 40A (3P), FB 2x 30A (3P), FB 2x 60A (3P)
2	<b>DFK-34</b>	Time Clock, HtrCont - 4x 40A (3P), FanCont - 1x 40A (3P), FB 2x 30A (2P), FB 4x 60A (2P)
2	<b>DFK-35</b>	Time Clock, HtrCont - 4x 40A (3P), FanCont - 1x 40A (3P), FB 2x 30A (3P), FB 4x 60A (3P)
2	<b>DFK-36</b>	Time Clock, HtrCont - 4x 40A (3P), FanCont - 1x 50A (3P), FB 2x 30A (2P), FB 4x 60A (2P)
2	<b>DFK-37</b>	Time Clock, HtrCont - 4x 40A (3P), FanCont - 1x 50A (3P), FB 2x 30A (3P), FB 4x 60A (3P)
2	<b>DFK-38</b>	Time Clock, HtrCont - 4x 50A (3P), FanCont - 1x 50A (3P), FB 2x 30A (3P), FB 4x 60A (3P)
1	<b>DFK-39</b>	Time Clock, HtrCont1 - 1x 40A (3P), HtrCont2 - 2x 50A (3P), FanCont - 1x 40A (3P), FB 4x 60A (3P)

NOTE: HtrCont = Heater Contactor, FanCont = Fan Contactor, FB = Fuse Block, (1P), (2P), (3P) = Number of Poles



**Fuse Packages**

Package Part Number	Description	Package Part Number	Description
FP-001	FUSES (1) 15AMP	FP-054	FUSES (3)15AMP (6) 35AMP
FP-002	FUSES (1) 20AMP	FP-055	FUSES (2) 15AMP (2) 45AMP
FP-003	FUSES (1) 25AMP	FP-056	FUSES (2) 15AMP (2) 40AMP
FP-004	FUSES (2) 15AMP	FP-057	FUSES (2) 20AMP (3) 50AMP
FP-006	FUSES (2) 20AMP	FP-058	FUSES (2) 15AMP (3) 45AMP
FP-007	FUSES (2) 25AMP	FP-059	FUSES (2) 15AMP (3) 30AMP
FP-008	FUSES (4) 15AMP	FP-060	FUSES (2) 15AMP (2) 35AMP
FP-010	FUSES (4) 25AMP	FP-061	FUSES (2) 15AMP (2) 50AMP
FP-012	FUSES (2) 35AMP	FP-062	FUSES (2) 15AMP (2) 60AMP
FP-013	FUSES (3) 15AMP	FP-063	FUSES (2) 15AMP (3) 25AMP
FP-014	FUSES (3) 20AMP	FP-064	FUSES (2) 15AMP (3) 35AMP
FP-015	FUSES (4) 20AMP	FP-065	FUSES (2) 15AMP (3) 40AMP
FP-016	FUSES (4) 20AMP (6) 45AMP	FP-066	FUSES (2) 15AMP (3) 20AMP
FP-017	FUSES (4) 35AMP	FP-067	FUSES (4) 15AMP (4) 35AMP
FP-018	FUSES (6) 15AMP	FP-068	FUSES (4) 15AMP (4) 50AMP
FP-019	FUSES (6) 20AMP	FP-069	FUSES (4) 15AMP (4) 60AMP
FP-020	FUSES (2) 30AMP	FP-070	FUSES (4) 15AMP (6) 25AMP
FP-021	FUSES (4) 30AMP	FP-071	FUSES (4) 15AMP (6) 35AMP
FP-022	FUSES (8) 15AMP	FP-072	FUSES (4) 15AMP (6) 40AMP
FP-023	FUSES (2) 25AMP (3) 50AMP	FP-073	FUSES (4) 15AMP (6) 20AMP
FP-024	FUSES (2) 20AMP (3) 45AMP	FP-074	FUSES (3) 20AMP (3) 60AMP
FP-025	FUSES (6) 20AMP (6) 60AMP	FP-075	FUSES (3) 20AMP (6) 35AMP
FP-026	FUSES (6) 15AMP (12) 40AMP	FP-076	FUSES (3) 25AMP (6) 50AMP
FP-027	FUSES (6) 15AMP (6) 40AMP	FP-077	FUSES (3) 35AMP (9) 45AMP
FP-028	FUSES (6) 20AMP (12) 40AMP	FP-078	FUSES (3) 15AMP (3) 35AMP
FP-029	FUSES (6)15AMP (6) 50AMP	FP-079	FUSES (3)15AMP (3) 45AMP
FP-030	FUSES (6) 15AMP (6) 45AMP	FP-080	FUSES (3) 15AMP (3) 50AMP
FP-031	FUSES (6) 15AMP (6) 35AMP	FP-081	FUSES (3) 20AMP (6) 40AMP
FP-032	FUSES (6) 15AMP (6) 30AMP	FP-082	FUSES (3) 15AMP (3) 40AMP
FP-033	FUSES (6) 25AMP (12) 50AMP	FP-083	FUSES (3) 15AMP (6) 40AMP
FP-034	FUSES (6) 20AMP (12) 35AMP	FP-084	FUSES (6) 15AMP (6) 60AMP
FP-035	FUSES (4) 25AMP (6) 50AMP	FP-085	FUSES (6) 15AMP (12) 35AMP
FP-036	FUSES (6) 25AMP (12) 60AMP	FP-086	FUSES (3) 35AMP (3) 45AMP (6) 60AMP
FP-037	FUSES (6) 20AMP (12) 60AMP	FP-087	FUSES (4) 20AMP (4) 40AMP (4) 50AMP
FP-038	FUSES (6) 20AMP (12) 50AMP	FP-088	FUSES (4) 15AMP (4) 35AMP (4) 40AMP
FP-039	FUSES (6) 20AMP (12) 45AMP	FP-089	FUSES (2) 20AMP (2) 40AMP (2) 50AMP
FP-040	FUSES (6) 15AMP (12) 45AMP	FP-090	FUSES (2) 15AMP (2) 35AMP (2) 40AMP
FP-041	FUSES (5) 15AMP	FP-091	FUSES (2) 20AMP (2) 35AMP (2) 40AMP
FP-042	FUSES (10) 15AMP	FP-092	FUSES (2) 25AMP (2) 40AMP (2) 50AMP
FP-043	FUSES (3) 25AMP (6) 60AMP	FP-093	FUSES (4) 20AMP (4) 35AMP (4) 40AMP
FP-044	FUSES (3) 20AMP (6) 60AMP	FP-094	FUSES (6) 15AMP (6) 25AMP
FP-045	FUSES (3) 20AMP (6) 50AMP	FP-095	FUSES (3) 15AMP (3) 25AMP
FP-046	FUSES (3) 25AMP (6) 45AMP	FP-096	FUSES (3) 15AMP (3) 30AMP
FP-047	FUSES (3) 15AMP (6) 45AMP	FP-097	FUSES (4) 15AMP (4) 30AMP
FP-048	FUSES (4) 15AMP (4) 45AMP	FP-098	FUSES (4) 15AMP (4) 25AMP
FP-049	FUSES (4) 15AMP (4) 40AMP	FP-099	FUSES (4) 15AMP (4) 20AMP
FP-050	FUSES (3) 15AMP (3) 60AMP	FP-100	FUSES (2) 15AMP (2) 20AMP
FP-051	FUSES (4) 20AMP (6) 50AMP	FP-101	FUSES (2) 15AMP (2) 25AMP
FP-052	FUSES (4) 15AMP (6) 45AMP	FP-102	FUSES (2) 15AMP (2) 30AMP
FP-053	FUSES (4) 15AMP (6) 30AMP	FP-103	FUSES (4) 25AMP (4) 40AMP (4) 50AMP

NOTE: FUSES 30AMP and Below - Class CC Type, FUSES 35AMP and Above - Class J Type

**PRODUCT SUPPORT**

*web:* [www.k-rp.com/kmp](http://www.k-rp.com/kmp)  
*email:* [evaps@k-rp.com](mailto:evaps@k-rp.com)  
*call:* 1-844-893-3222 x520

**TROUBLESHOOTING**

*email:* [troubleshooting@k-rp.com](mailto:troubleshooting@k-rp.com)  
*call:* 1-844-893-3222 x529

**SERVICE PARTS**

*web:* [www.k-rp.com/parts](http://www.k-rp.com/parts)  
*email:* [parts@k-rp.com](mailto:parts@k-rp.com)  
*call:* 1-844-893-3222 x520

**WARRANTY**

*web:* [www.k-rp.com/warranty](http://www.k-rp.com/warranty)  
*email:* [warranty@k-rp.com](mailto:warranty@k-rp.com)  
*call:* 1-844-893-3222 x501

**ORDERS**

*email:* [orders@k-rp.com](mailto:orders@k-rp.com)  
*call:* 1-844-893-3222 x501

**SHIPPING**

*email:* [shipping@k-rp.com](mailto:shipping@k-rp.com)  
*call:* 1-844-893-3222 x503



KeepRite Refrigeration  
Brantford, ON • Longview, TX  
1-800-463-9517 [info@k-rp.com](mailto:info@k-rp.com) [www.k-rp.com](http://www.k-rp.com)

