



# KEH Condensing Units

## PRODUCT DATA & SPECIFICATIONS

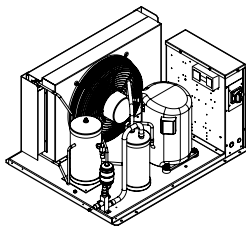
Bulletin K40-KEHCD-PDS-2  
Part # 1108864

	<b>PRODUCT SUPPORT</b>	<i>scan:</i> 
	web: <a href="http://www.k-rp.com/keh">www.k-rp.com/keh</a>	
	email: <a href="mailto:smcu@k-rp.com">smcu@k-rp.com</a>	
	call: 1-844-893-3222 x521	

**60**  
Hz

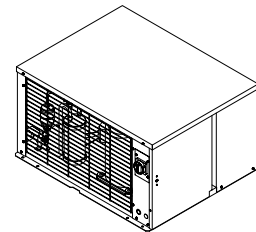
**Indoor/Outdoor Air-Cooled  
Hermetic Condensing Units**

1/2 to 1-1/3 HP -  
Medium and Low  
Temperature Refrigeration



## SMARTSPEED™

FAN MOTOR TECHNOLOGY  
See Page 22 for details



### THIS SECTION CONTAINS "GENERATION D" MODELS, SUITABLE FOR AWEF-COMPLIANT APPLICATIONS

Nomenclature.....	2
Features, Options and Pre-Selected Option Packages.....	2 - 3
Capacity Data (Imperial and <i>Metric</i> ).....	4
Electrical Data / Annual Walk-In Energy Factor (AWEF) Ratings.....	5
Dimensional Data.....	6 - 7
Specifications.....	7
Wiring Diagram.....	8



### THIS SECTION CONTAINS "GENERATION C" MODELS, SUITABLE FOR AWEF-EXEMPT APPLICATIONS†

Nomenclature.....	9
Features, Options and Pre-Selected Option Packages.....	10
Capacity Data (Imperial and <i>Metric</i> ).....	11 - 14
Electrical Data.....	15
Dimensional Data.....	16 - 18
Specifications.....	18
Wiring Diagrams.....	19 - 20
Wiring Diagrams - Models with SMARTSPEED™.....	21

† NOTE: Models in this section are not certified to DOE/NRCAN efficiency standards and should not be used for coolers or freezers less than 3000 sq.ft.

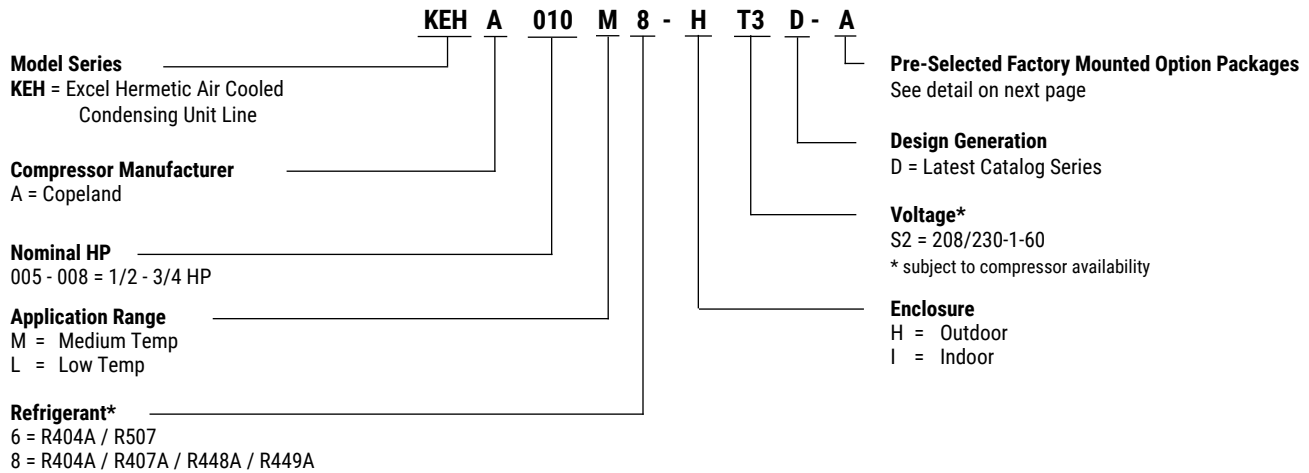
About SMARTSPEED™ .....	22
Project Information.....	23
Product Support Resources.....	BACK



**THIS SECTION CONTAINS "GENERATION D" MODELS,  
SUITABLE FOR AWEF-COMPLIANT APPLICATIONS**

**NOMENCLATURE**

**KEH - HERMETIC CONDENSING UNITS**



**STANDARD FEATURES**

**Indoor Unit:**

- Weatherproof electrical control box with compressor contactor and fused control circuit
- Welded-hermetic compressor
- High efficiency enhanced tube and fin condenser design
- Pre-formed piping
- Quiet fan motor operation
- SmartSpeed EC Fan Motor Technology standard on models using chassis 1 and 2 (see page 13)
- Energy efficient PSC condenser fan motor on models using chassis 3 (see page 13)
- Electrical control panel away from air flow stream
- Unit leak tested and shipped with helium holding charge
- Painted cabinet

- Receiver with fusible plug and liquid shut off valve
- Suction service valve
- Copper tubing secured with cushion clamps
- Fixed high and adjustable low pressure control

**Outdoor Unit: All Standard Features of Indoor Unit, Plus:**

- Painted weather-resistant housing with removable hood
- Flooded head pressure control (adjustable)
- Crankcase heater

**AVAILABLE OPTIONS**

- Sealed suction filter
- Suction accumulator
- Suction accumulator with boil-out coil
- Heated and insulated receiver
- Sealed liquid line filter drier and sight glass
- Liquid line solenoid valve with 230-volt coil (shipped loose)
- Compressor circuit breaker
- Compressor time delay relay
- Variable speed EC motors as head pressure control (see Bulletin K40-HPC-AG or <https://docs.k-rp.com/1101110.pdf> for details)
- QuickVac Evacuation and Refrigerant Recovery Valves
- Pump down toggle switch
- Electric defrost kit with mechanical time clock and contactors, as required
- Lockout control circuit relay (for liquid solenoid valve)
- Disconnect switch (fused or non-fused)
- Electronic phase / voltage monitor
- Leg kit or air discharge hood



**THIS SECTION CONTAINS "GENERATION D" MODELS,  
SUITABLE FOR AWEF-COMPLIANT APPLICATIONS**

**PRE-SELECTED FACTORY MOUNTED  
OPTION PACKAGES**

**KEH - HERMETIC CONDENSING UNITS**

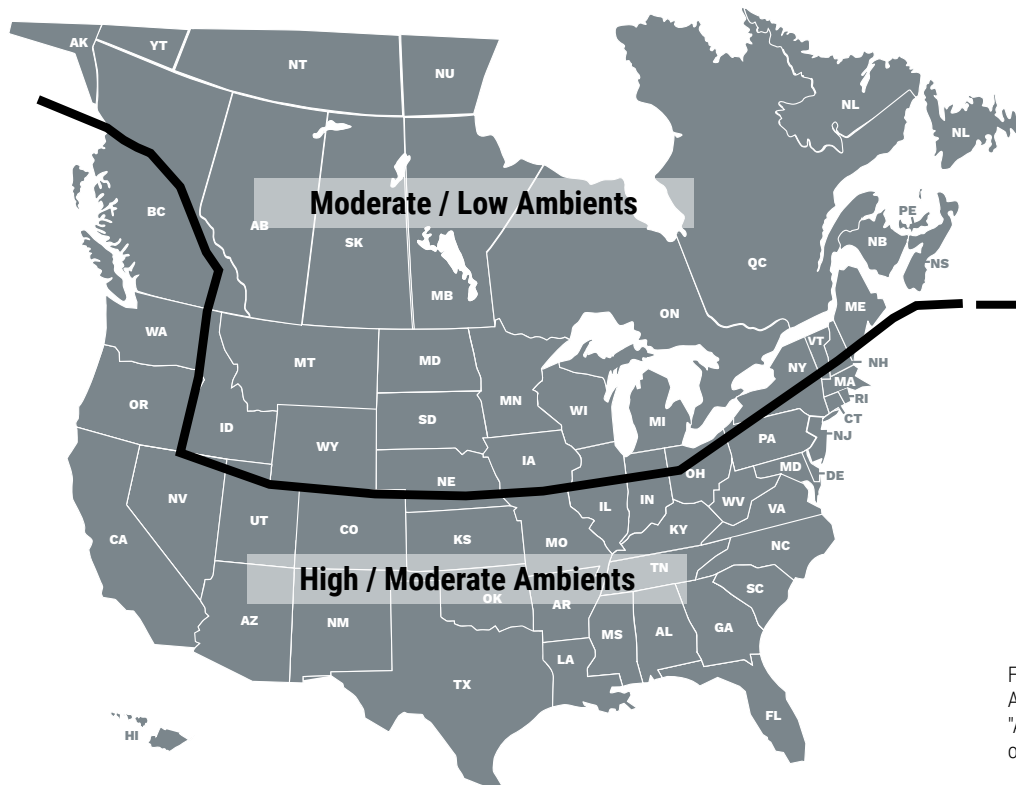
	For High / Moderate Ambients	For Moderate / Low Ambients
<b>GOOD</b> ○○○	<b>Package B:</b> + Liquid Line Filter Drier <sup>1</sup> & Sight Glass	<b>Package D:</b> + Liquid Line Filter Drier <sup>1</sup> & Sight Glass + Heated and Insulated Receiver
<b>BETTER</b> ○○○	<b>Package N:</b> + Liquid Line Filter Drier <sup>1</sup> & Sight Glass + Suction Accumulator w/o Heat Exchanger	<b>Package J:</b> + Liquid Line Filter Drier <sup>1</sup> & Sight Glass + Suction Accumulator w/o Heat Exchanger + Heated and Insulated Receiver
<b>BEST</b> ○○○	<b>Package P:</b> + Liquid Line Filter Drier <sup>1</sup> & Sight Glass + Suction Accumulator w/o Heat Exchanger + Suction Filter <sup>2</sup> + Non-Fused Disconnect	<b>Package Q:</b> + Liquid Line Filter Drier <sup>1</sup> & Sight Glass + Suction Accumulator w/o Heat Exchanger + Suction Filter <sup>2</sup> + Non-Fused Disconnect + Heated and Insulated Receiver

<sup>1</sup> Liquid Line Filter Drier: Sealed on ALL One Fan Model Units, Replaceable on ALL Two Fan Model Units.

<sup>2</sup> Suction Filter: Sealed on ALL One Fan Model Units, Replaceable on ALL Two Fan Model Units.

**For information on Evaporator Defrost Kits and Fuse Packages, visit [www.k-rp.com/dfk](http://www.k-rp.com/dfk)**

**RECOMMENDATIONS FOR SELECTING  
FACTORY MOUNTED OPTION PACKAGES**



**For Moderate /  
Low Ambients:**  
Good: Package D  
Better: Package J  
Best: Package Q

**For High /  
Moderate Ambients:**  
Good: Package B  
Better: Package N  
Best: Package P

For further details, visit our website and see Application Bulletin KAB-0101-02-1: "About Heated And Insulated Receivers" or contact your local sales representative.



**THIS SECTION CONTAINS "GENERATION D" MODELS,  
SUITABLE FOR AWEF-COMPLIANT APPLICATIONS**

**SELECTION CAPACITY DATA**

**KEH - HERMETIC CONDENSING UNITS**

**R404A Medium Temperature**

Model KEH	Saturated Suction Temperature		Selection Capacity BTU/h Ambient Temperature					
	° F	° C	85°F	90°F	95°F	100°F	105°F	110°F
			(29.4°C)	(32.2°C)	(35°C)	(37.8°C)	(40.6°C)	(43.3°C)
KEHA006M8	30	-1.1	7760	7430	7080	6730	6360	5990
	25	-3.9	7090	6790	6480	6160	5820	5480
Compressor Model	20	-6.7	6450	6180	5890	5600	5300	4990
	15	-9.4	5840	5590	5340	5070	4800	4520
RST45C2E	10	-12.2	5260	5040	4810	4570	4320	4070
	5	-15.0	4730	4520	4310	4090	3870	3650
	0	-17.8	4230	4040	3850	3650	3450	3250

**R448A R449A Medium Temperature**

Model KEH	Saturated Suction Temperature		Selection Capacity BTU/h Ambient Temperature					
	° F	° C	85°F	90°F	95°F	100°F	105°F	110°F
			(29.4°C)	(32.2°C)	(35°C)	(37.8°C)	(40.6°C)	(43.3°C)
KEHA006M8	30	-1.1	7440	7160	6860	6560	6260	5950
	25	-3.9	6730	6470	6200	5920	5650	5360
Compressor Model	20	-6.7	6060	5810	5560	5310	5060	4800
	15	-9.4	5430	5210	4980	4740	4510	4270
RST45C2E	10	-12.2	4840	4630	4420	4210	4000	3790
	5	-15.0	4280	4100	3910	3720	3530	3340
	0	-17.8	3760	3600	3430	3260	3090	2920

NOTE: Mean temperature is the average temperature between the saturated suction vapor temperature (dew point) and the temperature feeding the evaporator. To be consistent with the evaporator selection method, Mean rating capacities are recommended.

**R404A Low Temperature**

Model KEH	Saturated Suction Temperature		Selection Capacity BTU/h Ambient Temperature					
	° F	° C	85°F	90°F	95°F	100°F	105°F	110°F
			(29.4°C)	(32.2°C)	(35°C)	(37.8°C)	(40.6°C)	(43.3°C)
KEHA008L6	0	-17.8	4940	4700	4460	4220	3980	3740
	-5	-20.6	4410	4200	3980	3760	3550	3330
Compressor Model	-10	-23.3	3920	3720	3530	3330	3130	2940
	-15	-26.1	3450	3280	3100	2930	2750	2570
RFT26C1E	-20	-28.9	3020	2860	2700	2550	2390	2230
	-25	-31.7	2610	2470	2330	2190	2060	1920
	-30	-34.4	2240	2110	1990	1870	1750	1630



**THIS SECTION CONTAINS "GENERATION D" MODELS,  
SUITABLE FOR AWEF-COMPLIANT APPLICATIONS**

**ELECTRICAL DATA**

**KEH - HERMETIC CONDENSING UNITS**

**Standard Models**

Model KEH	Compressor Model No.	Power Supply	Compressor		Condenser Fan Motor				Unit	
			RLA	LRA	Quantity	Type	Watts	FLA	MCA	MOP
<b>KEHA006M8-*</b> S2D	RST45C2E-CFV	208-230/1/60	4.4	30.0	1	ECM	100	1.0	6.5	15
<b>KEHA008L6-*</b> S2D	RFT26C1E-CAV	208-230/1/60	5.8	35.5	1	ECM †	100	1.0	8.3	15

\* I = Indoor, H = Outdoor. \*\* 460V Units utilize a 230V EC motor with transformer † SMARTSPEED EC Motor Standard  
Above listed RLA value is based on UL rating method and may differ from published compressor RLA data.

**AWEF RATINGS**

**KEH - HERMETIC CONDENSING UNITS**

**Annual Walk-In Energy Factor Ratings - High/Medium Temperature**

If a numerical value is listed in the table below, the following statement applies to that corresponding model: "This refrigeration system is designed and certified for use in walk-in cooler applications."

Base Unit Model KEH	Outdoor Models			Indoor Models			
	R404A	R407A	R448A R449A	R404A	R407A	R448A R449A	
KEHA006M8- * S2D	7.60	-	7.60	-	-	-	

-- = Non-compliant model

**Annual Walk-In Energy Factor Ratings - Low Temperature**

If a numerical value is listed in the table below, the following statement applies to that corresponding model: "This refrigeration system is designed and certified for use in walk-in freezer applications."

Base Unit Model KEH	Outdoor Models			Indoor Models			
	R404A	R407A	R448A R449A	R404A	R407A	R448A R449A	
KEHA008L6- * S2D	2.85	-	-	1.99	-	-	

-- = Non-compliant model

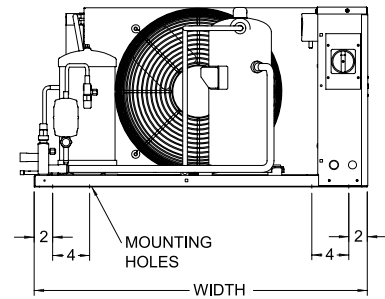
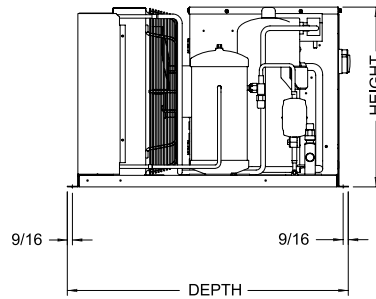
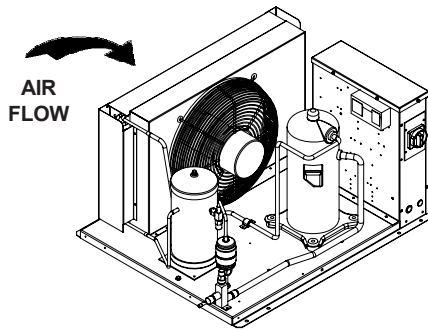


THIS SECTION CONTAINS "GENERATION D" MODELS,  
**SUITABLE FOR AWEF-COMPLIANT APPLICATIONS**

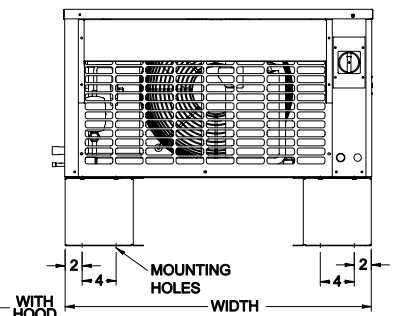
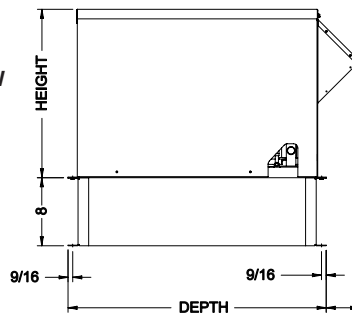
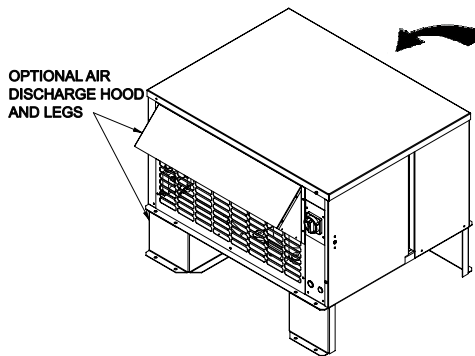
**DIMENSIONAL DATA**

**KEH - HERMETIC CONDENSING UNITS**

**Drawing A: 1 Fan Models, Chassis 1**

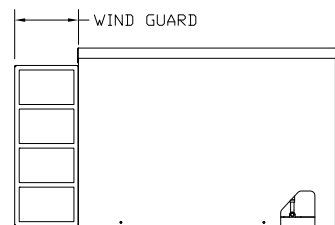
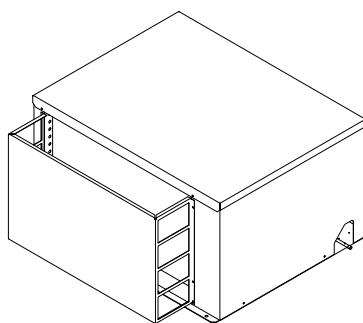


**INDOOR DIMENSIONS**



**OUTDOOR DIMENSIONS**

NOTE: Discharge hood, legs and wind guard are optional components





**THIS SECTION CONTAINS "GENERATION D" MODELS,  
SUITABLE FOR AWEF-COMPLIANT APPLICATIONS**

**DIMENSIONAL DATA**

**KEH - HERMETIC CONDENSING UNITS**

Model KEH	Chassis	Outdoor Models								Indoor Models					
		Width		Depth				Height		Width		Depth		Height	
				Base		Hood, add:									
Inches	mm	Inches	mm	Inches	mm	Inches	mm	Inches	mm	Inches	mm	Inches	mm		
KEHA006M8	1	24 7/8	632	30 3/8	772	34 3/8	873	19 3/8	492	24 5/8	625	30 3/8	772	19	483
KEHA008L6	1	24 7/8	632	30 3/8	772	34 3/8	873	19 3/8	492	24 5/8	625	30 3/8	772	19	483

Chassis	Drawing	See Page #
1	A	6

**SPECIFICATIONS**

Model KEH	Unit Connections				R404A Receiver Capacity 90% Full *		Approx. Shipping Weight			
	Suction (OD)		Liquid (OD)		Lbs.	Kgs	Outdoor Models		Indoor Models	
	Inches	mm	Inches	mm			Lbs.	Kgs	Lbs.	Kgs
KEHA006M8	5/8	16	3/8	10	5.4	2.45	149	68	127	58
KEHA008L6	1/2	13	3/8	10	5.4	2.45	141	64	119	54

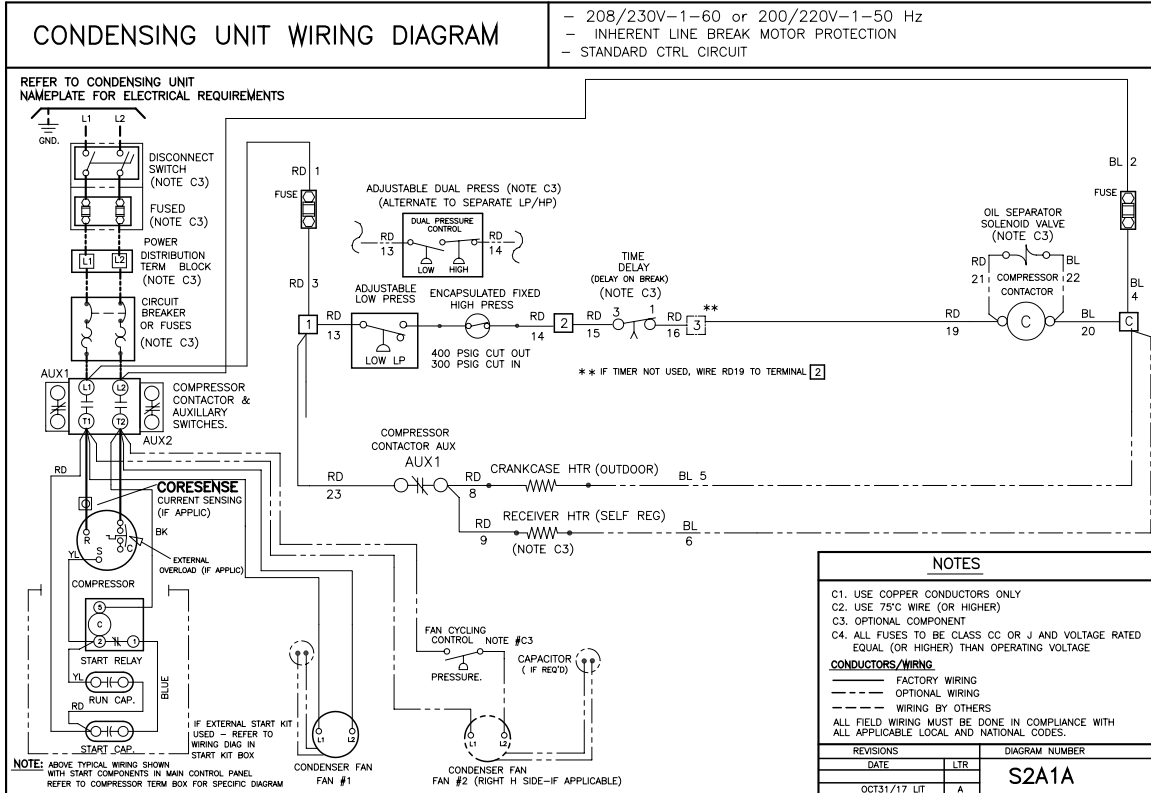


# THIS SECTION CONTAINS "GENERATION D" MODELS, SUITABLE FOR AWEF-COMPLIANT APPLICATIONS

## WIRING DIAGRAMS

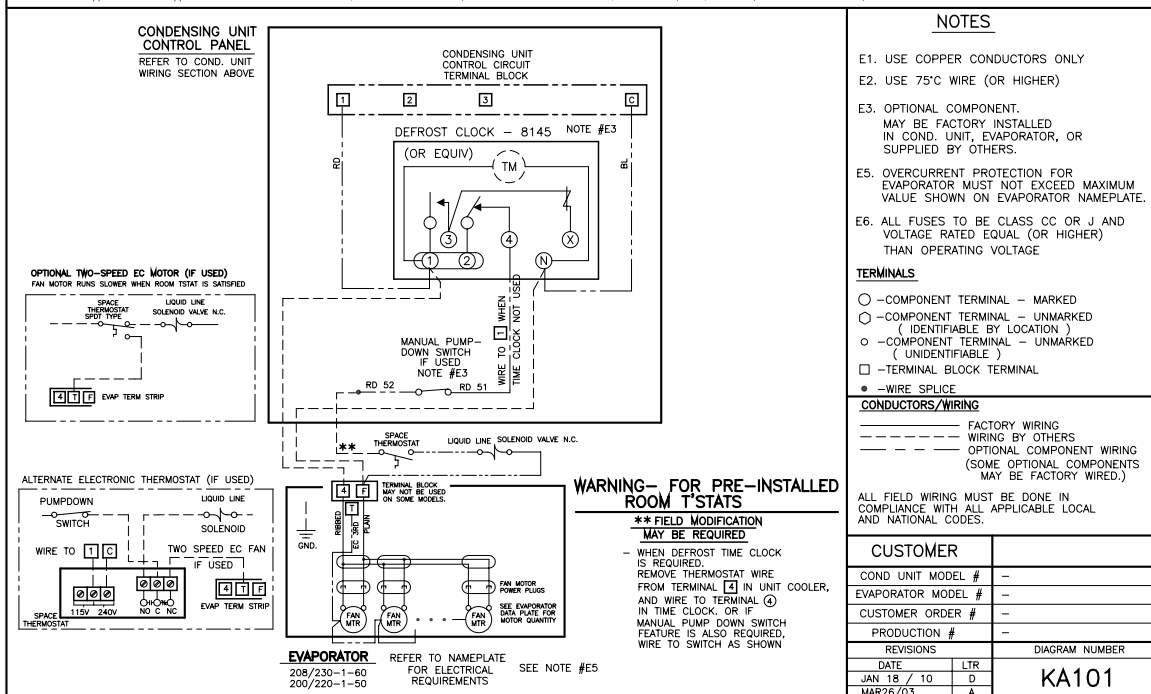
## KEH - HERMETIC CONDENSING UNITS

### 208-230/1/60 Unit



### TYPICAL EVAPORATOR WIRING: FOR SINGLE AIR DEFROST EVAPORATOR— SINGLE POINT

FOR USE WITH: 208/230-1-60, 200/220-1-50 OR 208/230-3-60, 200/220-3-50 CONDENSING UNITS  
 WITH OR WITHOUT DEFROST TIME CLOCK AND FOR TOTAL EVAP FAN AMPS NOT EXCEEDING 12A







# THIS SECTION CONTAINS "GENERATION C" MODELS, SUITABLE FOR AWEF-EXEMPT APPLICATIONS†

## NOMENCLATURE

**KEH A 010 M 8 - H T3 C - A**

**Model Series**

KEH = Excel Hermetic Air Cooled  
Condensing Unit Line

**Compressor Manufacturer**

A = Copeland

**Nominal HP**

006 - 013 = 1/2 - 1-1/3 HP

**Application Range**

L = Low Temp      M = Medium Temp

**Refrigerant\***

6 = R404A / R507      8 = R448A / R407C / R404A

**Enclosure**

H = Outdoor  
I = Indoor

**Voltage\***

S2 = 208/230-1-60      T3 = 208/230-3-60

\* subject to compressor availability

**Design Generation**

C = "C" Generation

**Pre-Selected Factory Mounted Option Packages**

A = Standard Features (see below)

B = Standard Features (see below)

*Plus Sealed Liquid Line Filter Drier and Sight Glass*

C = Standard Features (see below)

*Plus Sealed Liquid Line Filter Drier and Sight Glass*

*Plus Suction Accumulator*

*Plus Electric Defrost Kit*

D = Standard Features (see below)

*Plus Sealed Liquid Line Filter Drier and Sight Glass*

*Plus Heated and Insulated Receiver*

E = Standard Features (see below)

*Plus Sealed Liquid Line Filter Drier and Sight Glass*

*Plus Heated and Insulated Receiver*

*Plus Suction Accumulator*

*Plus Electric Defrost Kit*

F = Standard Features (see below)

*Plus Sealed liquid line filter drier and sight glass*

*Plus Electric Defrost Kit*

G = Standard Features (see below)

*Plus Sealed liquid line filter drier and sight glass*

*Plus Electric Defrost Kit*

*Plus Heated and insulated receiver*

H = Standard Features (see below)

*Plus Sealed Liquid Line Filter Drier and Sight Glass*

*Plus Timeclock*

J = Standard Features (see below)

*Plus Sealed Liquid Line Filter Drier and Sight Glass*

*Plus Heated and insulated receiver*

*Plus Suction Accumulator*

## STANDARD FEATURES

**Indoor Unit:**

- Weatherproof electrical control box with compressor contactor and fused control circuit
- Welded-hermetic compressor
- High efficiency enhanced tube and fin condenser design
- Pre-formed piping
- Quiet fan motor operation
- Energy efficient PSC condenser fan motor
- Electrical control panel away from air flow stream
- Wide-open front design, spring latches and handle on 5Hp MT & HT or larger
- Unit leak tested and shipped with helium holding charge
- Painted cabinet

- Receiver with fusible plug and liquid shut off valve
- Suction service valve
- Copper tubing secured with cushion clamps
- Fixed high and low pressure control

Outdoor Unit: All Standard Features of Indoor Unit, Plus:

- Painted weather-resistant housing with removable hood
- Flooded head pressure control (non adjustable)
- Crankcase heater

† NOTE: Models in this section are not certified to DOE/NRCAN efficiency standards and should not be used for coolers or freezers less than 3000 sq.ft.



THIS SECTION CONTAINS "GENERATION C" MODELS,  
**SUITABLE FOR AWEF-EXEMPT APPLICATIONS†**

**KEHA**  
COPELAND

## PRE-SELECTED FACTORY MOUNTED OPTION PACKAGES

**60Hz**

### Package A:

- Standard Features

### Package B:

- Standard Features
- Plus Sealed Liquid Line Filter Drier & Sight Glass

### Package C:

- Standard Features
- Plus Sealed Liquid Line Filter Drier & Sight Glass
- Plus Suction Accumulator
- Plus Electric Defrost Kit

### Package D:

- Standard Features
- Plus Sealed Liquid Line Filter Drier & Sight Glass
- Plus Heated and Insulated Receiver

### Package E:

- Standard Features
- Plus Sealed Liquid Line Filter Drier & Sight Glass
- Plus Heated and Insulated Receiver
- Plus Suction Accumulator
- Plus Electric Defrost Kit

### Package F:

- Standard Features
- Plus Sealed liquid line filter drier and sight glass
- Plus Electric Defrost Kit

### Package G:

- Standard Features
- Plus Sealed liquid line filter drier and sight glass
- Plus Electric Defrost Kit
- Plus Heated and insulated receiver

### Package H:

- Standard Features
- Plus Sealed Liquid Line Filter Drier and Sight Glass
- Plus Timeclock

### Package J:

- Standard Features
- Plus Sealed Liquid Line Filter Drier and Sight Glass
- Plus Heated and insulated receiver
- Plus Suction Accumulator

## AVAILABLE OPTIONS

- Sealed suction filter
- Suction accumulator
- Suction accumulator with boil-out coil
- Heated and insulated receiver
- Sealed liquid line filter drier and sight glass
- Liquid line solenoid valve with 230-volt coil (shipped loose)
- Compressor circuit breaker
- Compressor time delay relay
- Variable speed EC motors only as head pressure control (see Bulletin K40-HPC-AG or <https://docs.k-rp.com/1101110.pdf> for details)
- QuickVac Evacuation and Refrigerant Recovery Valves
- **SmartSpeed Fan Motor Technology**
- Pump down toggle switch
- Electric defrost kit with mechanical time clock and contactors, as required
- Hoffman variable fan speed control
- Lockout control circuit relay (for liquid solenoid valve)
- Disconnect switch (fused or non-fused)
- Electronic phase / voltage monitor
- Leg kit or air discharge hood

† NOTE: Models in this section are not certified to DOE/NRCAN efficiency standards and should not be used for coolers or freezers less than 3000 sq.ft.



THIS SECTION CONTAINS "GENERATION C" MODELS,  
SUITABLE FOR AWEF-EXEMPT APPLICATIONS<sup>†</sup>

**KEHA**  
COPELAND

**CAPACITY DATA - R448A**  
**MEDIUM TEMPERATURE**

**60Hz**

MODEL KEH	SATURATED SUCTION TEMPERATURE		CAPACITY BTU/H (WATTS) <b>R448A</b> AMBIENT TEMPERATURE °F (°C)									
	° F	° C	80 (26.6)	85 (29.4)	90 (32.2)	95 (35.0)	100 (37.8)	105 (40.6)	110 (43.3)			
KEHA006M8 Compressor Model RST45C1E	30 (-1.1)		7740 (2270)	7430 (2180)	7110 (2080)	6800 (1990)	6490 (1900)	6180 (1810)	5880 (1720)			
	25 (-3.9)		6920 (2030)	6640 (1950)	6360 (1860)	6080 (1780)	5800 (1700)	5510 (1610)	5240 (1540)			
	20 (-6.7)		6160 (1810)	5910 (1730)	5660 (1660)	5410 (1590)	5150 (1510)	4890 (1430)	4650 (1360)			
	15 (-9.4)		5460 (1600)	5240 (1540)	5010 (1470)	4790 (1400)	4570 (1340)	4340 (1270)	4120 (1210)			
	10 (-12.2)		4820 (1410)	4620 (1350)	4420 (1300)	4220 (1240)	4020 (1180)	3820 (1120)	3610 (1060)			
	5 (-15.0)		4230 (1240)	4050 (1190)	3890 (1140)	3710 (1090)	3530 (1030)	3350 (980)	3170 (930)			
	0 (-17.8)		3710 (1090)	3550 (1040)	3390 (990)	3240 (950)	3090 (910)	2930 (860)	2770 (810)			
-5 (-20.6)		3050 (890)	2940 (860)	2840 (830)	2730 (800)	2520 (740)	2420 (710)	-				
-10 (-23.3)		2630 (770)	2520 (740)	2420 (710)	2310 (680)	2210 (650)	-	-				
KEHA008M8 Compressor Model RST55C1E	30 (-1.1)		9030 (2650)	8650 (2540)	8270 (2420)	7900 (2320)	7520 (2200)	7140 (2090)	6770 (1980)			
	25 (-3.9)		8100 (2370)	7750 (2270)	7410 (2170)	7070 (2070)	6740 (1980)	6410 (1880)	6080 (1780)			
	20 (-6.7)		7220 (2120)	6910 (2030)	6620 (1940)	6320 (1850)	6020 (1760)	5720 (1680)	5430 (1590)			
	15 (-9.4)		6430 (1880)	6150 (1800)	5890 (1730)	5630 (1650)	5360 (1570)	5090 (1490)	4830 (1420)			
	10 (-12.2)		5690 (1670)	5460 (1600)	5220 (1530)	4990 (1460)	4760 (1400)	4530 (1330)	4280 (1250)			
	5 (-15.0)		5030 (1470)	4820 (1410)	4610 (1350)	4410 (1290)	4200 (1230)	3990 (1170)	3790 (1110)			
	0 (-17.8)		4430 (1300)	4240 (1240)	4050 (1190)	3890 (1140)	3700 (1080)	3520 (1030)	3330 (980)			
-5 (-20.6)		3680 (1080)	3570 (1050)	3360 (980)	3260 (960)	3050 (890)	2940 (860)	-				
-10 (-23.3)		3260 (960)	3150 (920)	2940 (860)	2840 (830)	-	-	-				
KEHA009M8 Compressor Model RST64C1E	30 (-1.1)		10600 (3110)	10170 (2980)	9790 (2870)	9390 (2750)	8990 (2630)	8590 (2520)	8190 (2400)			
	25 (-3.9)		9530 (2790)	9180 (2690)	8820 (2580)	8460 (2480)	8100 (2370)	7740 (2270)	7380 (2160)			
	20 (-6.7)		8580 (2510)	8260 (2420)	7940 (2330)	7610 (2230)	7290 (2140)	6950 (2040)	6640 (1950)			
	15 (-9.4)		7700 (2260)	7410 (2170)	7120 (2090)	6840 (2000)	6530 (1910)	6250 (1830)	5950 (1740)			
	10 (-12.2)		6890 (2020)	6630 (1940)	6370 (1870)	6110 (1790)	5850 (1710)	5590 (1640)	5330 (1560)			
	5 (-15.0)		6140 (1800)	5910 (1730)	5680 (1660)	5450 (1600)	5220 (1530)	4980 (1460)	4760 (1400)			
	0 (-17.8)		5450 (1600)	5250 (1540)	5040 (1480)	4850 (1420)	4640 (1360)	4430 (1300)	-			
-5 (-20.6)		4940 (1450)	4730 (1390)	4520 (1320)	4410 (1290)	4200 (1230)	-	-				
-10 (-23.3)		4310 (1260)	4200 (1230)	3990 (1170)	-	-	-	-				
KEHA010M8 Compressor Model RST70C1E	30 (-1.1)		11300 (3310)	10900 (3190)	10500 (3080)	10090 (2960)	9650 (2830)	9220 (2700)	8780 (2570)			
	25 (-3.9)		10370 (3040)	9990 (2930)	9600 (2810)	9190 (2690)	8790 (2580)	8390 (2460)	7980 (2340)			
	20 (-6.7)		9430 (2760)	9060 (2660)	8690 (2550)	8340 (2440)	7960 (2330)	7580 (2220)	7210 (2110)			
	15 (-9.4)		8520 (2500)	8180 (2400)	7850 (2300)	7510 (2200)	7170 (2100)	6830 (2000)	6480 (1900)			
	10 (-12.2)		7650 (2240)	7350 (2150)	7050 (2070)	6740 (1980)	6420 (1880)	6100 (1790)	5780 (1690)			
	5 (-15.0)		6840 (2000)	6560 (1920)	6290 (1840)	6000 (1760)	5700 (1670)	5420 (1590)	5110 (1500)			
	0 (-17.8)		6080 (1780)	5820 (1710)	5550 (1630)	5290 (1550)	5030 (1470)	4770 (1400)	-			
-5 (-20.6)		5150 (1510)	4940 (1450)	4620 (1350)	4410 (1290)	4200 (1230)	-	-				
-10 (-23.3)		4520 (1320)	4310 (1260)	4100 (1200)	3890 (1140)	-	-	-				
KEHA011M8 Compressor Model RST80C1E	30 (-1.1)		12900 (3780)	12500 (3660)	12100 (3550)	11600 (3400)	11000 (3220)	10600 (3110)	10080 (2950)			
	25 (-3.9)		11800 (3460)	11300 (3310)	10900 (3190)	10500 (3080)	10060 (2950)	9600 (2810)	9140 (2680)			
	20 (-6.7)		10700 (3140)	10340 (3030)	9930 (2910)	9520 (2790)	9100 (2670)	8660 (2540)	8230 (2410)			
	15 (-9.4)		9690 (2840)	9330 (2730)	8950 (2620)	8570 (2510)	8180 (2400)	7770 (2280)	7380 (2160)			
	10 (-12.2)		8700 (2550)	8370 (2450)	8020 (2350)	7670 (2250)	7300 (2140)	6940 (2030)	6560 (1920)			
	5 (-15.0)		7770 (2280)	7460 (2190)	7140 (2090)	6800 (1990)	6470 (1900)	6130 (1800)	5790 (1700)			
	0 (-17.8)		6900 (2020)	6600 (1930)	6300 (1850)	6010 (1760)	5690 (1670)	5390 (1580)	-			
-5 (-20.6)		5990 (1760)	5780 (1690)	5460 (1600)	5250 (1540)	4940 (1450)	-	-				
-10 (-23.3)		5250 (1540)	5040 (1480)	4730 (1390)	4520 (1320)	-	-	-				
KEHA013M8 Compressor Model RST97C1E	30 (-1.1)		15000 (4400)	14500 (4250)	14000 (4100)	13400 (3930)	12800 (3750)	12300 (3600)	11800 (3460)			
	25 (-3.9)		13800 (4040)	13200 (3870)	12700 (3720)	12300 (3600)	11800 (3460)	11200 (3280)	10700 (3140)			
	20 (-6.7)		12500 (3660)	12100 (3550)	11600 (3400)	11100 (3250)	10700 (3140)	10200 (2990)	9720 (2850)			
	15 (-9.4)		11300 (3310)	10900 (3190)	10500 (3080)	10060 (2950)	9630 (2820)	9200 (2700)	8760 (2570)			
	10 (-12.2)		10190 (2990)	9800 (2870)	9420 (2760)	9020 (2640)	8630 (2530)	8230 (2410)	7830 (2290)			
	5 (-15.0)		9100 (2670)	8760 (2570)	8400 (2460)	8040 (2360)	7680 (2250)	7310 (2140)	6940 (2030)			
	0 (-17.8)		8090 (2370)	7780 (2280)	7440 (2180)	7120 (2090)	6780 (1990)	6440 (1890)	6100 (1790)			
-5 (-20.6)		6930 (2030)	6620 (1940)	6410 (1880)	6090 (1780)	5780 (1690)	5460 (1600)	-				
-10 (-23.3)		6090 (1780)	5780 (1690)	5570 (1630)	5250 (1540)	-	-	-				

**NOTES:**

- Above ratings are based on mean temperature.
- To convert to dew point ratings, use 0.95 multiplier.
- For R449A, use R448A data.

<sup>†</sup> NOTE: Models in this section are not certified to DOE/NRCAN efficiency standards and should not be used for coolers or freezers less than 3000 sq.ft.



THIS SECTION CONTAINS "GENERATION C" MODELS,  
SUITABLE FOR AWEF-EXEMPT APPLICATIONS<sup>†</sup>

**KEHA**  
COPELAND

**CAPACITY DATA - R407C**  
**MEDIUM TEMPERATURE**

**60Hz**

MODEL KEH	SATURATED SUCTION TEMPERATURE		CAPACITY BTU/H (WATTS) <b>R407C</b> AMBIENT TEMPERATURE °F (°C)						
	° F	° C	80 (26.6)	85 (29.4)	90 (32.2)	95 (35.0)	100 (37.8)	105 (40.6)	110 (43.3)
KEHA006M8 Compressor Model RST45C1E	30 (-1.1)	7340 (2150)	7060 (2070)	6770 (1980)	6490 (1900)	6210 (1820)	5930 (1740)	5650 (1660)	5030 (1470)
	25 (-3.9)	6550 (1920)	6300 (1850)	6040 (1770)	5790 (1700)	5530 (1620)	5280 (1550)	5030 (1470)	4450 (1300)
	20 (-6.7)	5810 (1700)	5590 (1640)	5360 (1570)	5120 (1500)	4890 (1430)	4670 (1370)	4450 (1300)	3920 (1150)
	15 (-9.4)	5130 (1500)	4940 (1450)	4730 (1390)	4530 (1330)	4330 (1270)	4120 (1210)	3920 (1150)	3430 (1010)
	10 (-12.2)	4540 (1330)	4350 (1270)	4160 (1220)	3970 (1160)	3790 (1110)	3600 (1060)	3430 (1010)	
KEHA008M8 Compressor Model RST55C1E	45 (7.2)	11800 (3460)	11200 (3280)	10800 (3170)	10370 (3040)	9910 (2900)	9460 (2770)	8990 (2630)	8150 (2390)
	40 (4.4)	10600 (3110)	10230 (3000)	9830 (2880)	9420 (2760)	9000 (2640)	8580 (2510)	8150 (2390)	7360 (2160)
	35 (1.7)	9620 (2820)	9250 (2710)	8870 (2600)	8510 (2490)	8130 (2380)	7750 (2270)	7360 (2160)	6630 (1940)
	30 (-1.1)	8650 (2540)	8330 (2440)	7990 (2340)	7650 (2240)	7310 (2140)	6970 (2040)	6630 (1940)	5930 (1740)
	25 (-3.9)	7750 (2270)	7460 (2190)	7150 (2100)	6860 (2010)	6550 (1920)	6250 (1830)	5930 (1740)	5290 (1550)
KEHA009M8 Compressor Model RST64C1E	45 (7.2)	13900 (4070)	13300 (3900)	12800 (3750)	12200 (3580)	11700 (3430)	11100 (3250)	10500 (3080)	9610 (2820)
	40 (4.4)	12600 (3690)	12200 (3580)	11700 (3430)	11100 (3250)	10600 (3110)	10120 (2970)	9610 (2820)	8720 (2560)
	35 (1.7)	11400 (3340)	11000 (3220)	10600 (3110)	10110 (2960)	9650 (2830)	9190 (2690)	8720 (2560)	7880 (2310)
	30 (-1.1)	10360 (3040)	9960 (2920)	9560 (2800)	9140 (2680)	8720 (2560)	8300 (2430)	7880 (2310)	7090 (2080)
	25 (-3.9)	9320 (2730)	8960 (2630)	8590 (2520)	8220 (2410)	7840 (2300)	7470 (2190)	7090 (2080)	6340 (1860)
KEHA010M8 Compressor Model RST70C1E	45 (7.2)	14800 (4340)	14300 (4190)	13700 (4020)	13100 (3840)	12500 (3660)	12000 (3520)	11300 (3310)	10350 (3030)
	40 (4.4)	13500 (3960)	13000 (3810)	12500 (3660)	12000 (3520)	11400 (3340)	10900 (3190)	10350 (3030)	9430 (2760)
	35 (1.7)	12300 (3600)	11800 (3460)	11300 (3310)	10900 (3190)	10400 (3050)	9920 (2910)	9430 (2760)	8550 (2510)
	30 (-1.1)	11100 (3250)	10700 (3140)	10280 (3010)	9860 (2890)	9430 (2760)	9000 (2640)	8550 (2510)	7730 (2270)
	25 (-3.9)	10020 (2940)	9660 (2830)	9280 (2720)	8890 (2610)	8520 (2500)	8130 (2380)	7730 (2270)	6950 (2040)
KEHA011M8 Compressor Model RST80C1E	45 (7.2)	17000 (4980)	16400 (4810)	15800 (4630)	15100 (4430)	14500 (4250)	13800 (4040)	13100 (3840)	12000 (3520)
	40 (4.4)	15500 (4540)	14900 (4370)	14400 (4220)	13800 (4040)	13100 (3840)	12600 (3690)	12000 (3520)	10800 (3170)
	35 (1.7)	14100 (4130)	13500 (3960)	13000 (3810)	12500 (3660)	12000 (3520)	11400 (3340)	10800 (3170)	9820 (2880)
	30 (-1.1)	12700 (3720)	12300 (3600)	11800 (3460)	11300 (3310)	10800 (3170)	10330 (3030)	9820 (2880)	8860 (2600)
	25 (-3.9)	11400 (3340)	11000 (3220)	10600 (3110)	10200 (2990)	9770 (2860)	9320 (2730)	8860 (2600)	7960 (2330)
KEHA013M8 Compressor Model RST97C1E	45 (7.2)	20300 (5950)	19500 (5710)	18800 (5510)	18100 (5300)	17200 (5040)	16500 (4840)	15800 (4630)	14300 (4190)
	40 (4.4)	18400 (5390)	17700 (5190)	17000 (4980)	16400 (4810)	15600 (4570)	15000 (4400)	14300 (4190)	12900 (3780)
	35 (1.7)	16600 (4860)	16100 (4720)	15400 (4510)	14800 (4340)	14200 (4160)	13500 (3960)	12900 (3780)	11700 (3430)
	30 (-1.1)	15000 (4400)	14500 (4250)	13900 (4070)	13300 (3900)	12800 (3750)	12200 (3580)	11700 (3430)	10480 (3070)
	25 (-3.9)	13400 (3930)	13000 (3810)	12500 (3660)	12000 (3520)	11600 (3400)	11000 (3220)	10480 (3070)	9390 (2750)

NOTES: - Above ratings are based on mean temperature.  
- To convert to dew point ratings, use 0.95 multiplier.

<sup>†</sup> NOTE: Models in this section are not certified to DOE/NRCAN efficiency standards and should not be used for coolers or freezers less than 3000 sq.ft.





THIS SECTION CONTAINS "GENERATION C" MODELS,  
SUITABLE FOR AWEF-EXEMPT APPLICATIONS†

**KEHA**  
COPELAND

**CAPACITY DATA - R404A**  
**MEDIUM TEMPERATURE**

**60Hz**

MODEL KEH	SATURATED SUCTION TEMPERATURE		CAPACITY BTU/H (WATTS) R404A AMBIENT TEMPERATURE °F (°C)							
	° F	° C	80 (26.6)	85 (29.4)	90 (32.2)	95 (35.0)	100 (37.8)	105 (40.6)	110 (43.3)	
KEHA006M8 Compressor Model RST45C1E*	30 (-1.1)		7970 (2335)	7620 (2233)	7260 (2127)	6890 (2019)	6520 (1910)	6130 (1796)	5740 (1682)	
	25 (-3.9)		7290 (2136)	6970 (2042)	6650 (1948)	6310 (1849)	5960 (1746)	5620 (1647)	5260 (1541)	
	20 (-6.7)		6650 (1948)	6350 (1861)	6060 (1776)	5750 (1685)	5450 (1597)	5120 (1500)	4810 (1409)	
	15 (-9.4)		6040 (1770)	5780 (1694)	5500 (1612)	5230 (1532)	4950 (1450)	4660 (1365)	4370 (1280)	
	10 (-12.2)		5450 (1597)	5220 (1529)	4970 (1456)	4730 (1386)	4470 (1310)	4210 (1234)	3950 (1157)	
	5 (-15.0)		4890 (1433)	4680 (1371)	4460 (1307)	4240 (1242)	4010 (1175)	3780 (1108)	3540 (1037)	
	0 (-17.8)		4370 (1280)	4170 (1222)	3970 (1163)	3770 (1105)	3570 (1046)	3350 (982)	3140 (920)	
	-5 (-20.6)		3670 (1075)	3510 (1028)	3340 (979)	3160 (926)	2980 (873)	2800 (820)	2620 (768)	
-10 (-23.3)		3210 (941)	3060 (897)	2900 (850)	2740 (803)	2580 (756)	2420 (709)	2260 (662)		
KEHA008M8 Compressor Model RST55C1E*	30 (-1.1)		9400 (2754)	8930 (2616)	8450 (2476)	7990 (2341)	7520 (2203)	7060 (2069)	6600 (1934)	
	25 (-3.9)		8650 (2534)	8210 (2406)	7770 (2277)	7340 (2151)	6900 (2022)	6470 (1896)	6050 (1773)	
	20 (-6.7)		7930 (2323)	7520 (2203)	7110 (2083)	6700 (1963)	6300 (1846)	5900 (1729)	5500 (1612)	
	15 (-9.4)		7220 (2115)	6850 (2007)	6470 (1896)	6090 (1784)	5720 (1676)	5360 (1570)	4990 (1462)	
	10 (-12.2)		6550 (1919)	6210 (1820)	5860 (1717)	5510 (1614)	5170 (1515)	4830 (1415)	4490 (1316)	
	5 (-15.0)		5910 (1732)	5600 (1641)	5270 (1544)	4960 (1453)	4640 (1360)	4330 (1269)	4020 (1178)	
	0 (-17.8)		5300 (1553)	5020 (1471)	4730 (1386)	4430 (1298)	4150 (1216)	3860 (1131)	3590 (1052)	
	-5 (-20.6)		4510 (1321)	4260 (1248)	4010 (1175)	3760 (1102)	3510 (1028)	3270 (958)	3030 (888)	
-10 (-23.3)		4000 (1172)	3780 (1108)	3560 (1043)	3330 (976)	3110 (911)	2890 (847)	2680 (785)		
KEHA009M8 Compressor Model RST64C1E*	30 (-1.1)		10500 (3080)	10100 (2960)	9640 (2830)	9200 (2700)	8730 (2560)	8260 (2420)	7790 (2280)	
	25 (-3.9)		9720 (2850)	9330 (2730)	8910 (2610)	8500 (2490)	8080 (2370)	7650 (2240)	7220 (2120)	
	20 (-6.7)		8940 (2620)	8580 (2510)	8210 (2410)	7830 (2290)	7440 (2180)	7050 (2070)	6640 (1950)	
	15 (-9.4)		8190 (2400)	7860 (2300)	7520 (2200)	7170 (2100)	6800 (1990)	6440 (1890)	6080 (1780)	
	10 (-12.2)		7460 (2190)	7160 (2100)	6830 (2000)	6510 (1910)	6190 (1810)	5860 (1720)	5530 (1620)	
	5 (-15.0)		6740 (1980)	6460 (1890)	6180 (1810)	5890 (1730)	5590 (1640)	5290 (1550)	4990 (1460)	
	0 (-17.8)		6070 (1780)	5810 (1700)	5550 (1630)	5280 (1550)	5000 (1470)	4730 (1390)	4470 (1310)	
	-5 (-20.6)		5420 (1590)	5180 (1520)	4930 (1440)	4690 (1370)	4450 (1300)	4210 (1230)	3970 (1160)	
-10 (-23.3)		4790 (1400)	4580 (1340)	4360 (1280)	4140 (1210)	3920 (1150)	3700 (1080)	3490 (1020)		
KEHA010M8 Compressor Model RST70C1E	30 (-1.1)		11600 (3400)	11100 (3253)	10600 (3107)	10100 (2960)	9620 (2819)	9120 (2673)	8610 (2523)	
	25 (-3.9)		10700 (3136)	10200 (2989)	9790 (2869)	9350 (2740)	8880 (2602)	8430 (2471)	7960 (2333)	
	20 (-6.7)		9790 (2869)	9390 (2752)	8990 (2635)	8580 (2515)	8160 (2391)	7740 (2268)	7250 (2125)	
	15 (-9.4)		8940 (2620)	8580 (2515)	8200 (2403)	7770 (2277)	7390 (2166)	7000 (2051)	6600 (1934)	
	10 (-12.2)		8070 (2365)	7740 (2268)	7400 (2169)	7060 (2069)	6710 (1966)	6340 (1858)	5990 (1755)	
	5 (-15.0)		7280 (2134)	6970 (2043)	6670 (1955)	6350 (1861)	6030 (1767)	5700 (1670)	5380 (1577)	
	0 (-17.8)		6510 (1908)	6240 (1829)	5950 (1744)	5670 (1662)	5330 (1562)	5040 (1477)	4740 (1389)	
	-5 (-20.6)		5490 (1609)	5250 (1539)	5000 (1465)	4750 (1392)	4490 (1316)	4230 (1240)	3960 (1161)	
-10 (-23.3)		4840 (1418)	4620 (1354)	4390 (1287)	4160 (1219)	3930 (1152)	3690 (1081)	3440 (1008)		
KEHA011M8 Compressor Model RST80C1E	30 (-1.1)		13300 (3900)	12800 (3750)	12200 (3580)	11600 (3400)	11100 (3250)	10500 (3080)	9890 (2900)	
	25 (-3.9)		12200 (3580)	11700 (3430)	11200 (3280)	10700 (3140)	10200 (2990)	9630 (2820)	9060 (2660)	
	20 (-6.7)		11200 (3280)	10800 (3170)	10300 (3020)	9820 (2880)	9310 (2730)	8800 (2580)	8280 (2430)	
	15 (-9.4)		10300 (3020)	9840 (2880)	9390 (2750)	8940 (2620)	8480 (2490)	8000 (2340)	7520 (2200)	
	10 (-12.2)		9330 (2730)	8940 (2620)	8530 (2500)	8110 (2380)	7670 (2250)	7240 (2120)	6800 (1990)	
	5 (-15.0)		8440 (2470)	8080 (2370)	7690 (2250)	7310 (2140)	6910 (2030)	6510 (1910)	6110 (1790)	
	0 (-17.8)		7590 (2220)	7250 (2120)	6910 (2030)	6550 (1920)	6190 (1810)	5820 (1710)	5460 (1600)	
	-5 (-20.6)		6600 (1930)	6300 (1850)	6000 (1760)	5700 (1670)	5300 (1550)	5000 (1470)	4700 (1380)	
-10 (-23.3)		5900 (1730)	5600 (1640)	5300 (1550)	5000 (1470)	4700 (1380)	4400 (1290)	4100 (1200)		
KEHA013M8 Compressor Model RST97C1E	30 (-1.1)		15600 (4570)	15000 (4400)	14400 (4220)	13800 (4040)	13100 (3840)	12400 (3630)	11700 (3430)	
	25 (-3.9)		14400 (4220)	13900 (4070)	13300 (3900)	12700 (3720)	12100 (3550)	11500 (3370)	10800 (3170)	
	20 (-6.7)		13200 (3870)	12700 (3720)	12200 (3580)	11700 (3430)	11100 (3250)	10500 (3080)	9930 (2910)	
	15 (-9.4)		12100 (3550)	11600 (3400)	11100 (3250)	10600 (3110)	10100 (2960)	9580 (2810)	9030 (2650)	
	10 (-12.2)		11000 (3220)	10500 (3080)	10100 (2960)	9630 (2820)	9160 (2680)	8660 (2540)	8170 (2390)	
	5 (-15.0)		9890 (2900)	9500 (2780)	9090 (2660)	8660 (2540)	8230 (2410)	7780 (2280)	7320 (2150)	
	0 (-17.8)		8860 (2600)	8510 (2490)	8130 (2380)	7740 (2270)	7330 (2150)	6920 (2030)	6510 (1910)	
	-5 (-20.6)		7700 (2260)	7300 (2140)	7000 (2050)	6700 (1960)	6300 (1850)	5900 (1730)	5600 (1640)	
-10 (-23.3)		6800 (1990)	6500 (1900)	6200 (1820)	5900 (1730)	5500 (1610)	5200 (1520)	4900 (1440)		

--- Outside Operating Range † Max 40°F RGT

† NOTE: Models in this section are not certified to DOE/NRCAN efficiency standards and should not be used for coolers or freezers less than 3000 sq.ft.



**THIS SECTION CONTAINS "GENERATION C" MODELS,  
SUITABLE FOR AWEF-EXEMPT APPLICATIONS†**

**KEHA**  
COPELAND

**CAPACITY DATA - R404A  
LOW TEMPERATURE**

**60Hz**

MODEL KEH	SATURATED SUCTION TEMPERATURE		CAPACITY BTU/H (WATTS) <b>R404A</b> AMBIENT TEMPERATURE °F (°C)							
	° F	° C	80 (26.6)	85 (29.4)	90 (32.2)	95 (35)	100 (37.8)	105 (40.6)	110 (43.3)	
KEHA006L6 Compressor Model RFT22C1E	10 (-12.2)		5580 (1635)	5380 (1577)	5160 (1512)	4940 (1448)	4690 (1374)	4460 (1307)	4200 (1231)	
	5 (-15.0)		5030 (1474)	4840 (1418)	4650 (1363)	4440 (1301)	4220 (1237)	4000 (1172)	3770 (1105)	
	0 (-17.8)		4500 (1319)	4340 (1272)	4160 (1219)	3970 (1163)	3770 (1105)	3530 (1035)	3320 (973)	
	-5 (-20.6)		4010 (1175)	3820 (1120)	3660 (1073)	3490 (1023)	3310 (970)	3120 (914)	2920 (856)	
	-10 (-23.3)		3540 (1037)	3370 (988)	3220 (944)	3070 (900)	2910 (853)	2730 (800)	2550 (747)	
	-15 (-26.1)		3100 (909)	2950 (865)	2810 (824)	2680 (785)	2520 (739)	2370 (695)	2220 (651)	
	-20 (-28.9)		2690 (788)	2550 (747)	2430 (712)	2300 (674)	2170 (636)	2040 (598)	1890 (554)	
	-25 (-31.7)		2300 (674)	2180 (639)	2070 (607)	1960 (574)	1850 (542)	1720 (504)	1610 (472)	
	-30 (-34.4)		1940 (569)	1840 (539)	1740 (510)	1650 (484)	1540 (451)	1430 (419)	1320 (387)	
KEHA008L6 Compressor Model RFT26C1E	10 (-12.2)		6570 (1925)	6310 (1849)	6040 (1770)	5760 (1688)	5500 (1612)	5170 (1515)	4890 (1433)	
	5 (-15.0)		5950 (1744)	5660 (1659)	5420 (1588)	5170 (1515)	4900 (1436)	4660 (1366)	4400 (1290)	
	0 (-17.8)		5310 (1556)	5090 (1492)	4870 (1427)	4640 (1360)	4400 (1290)	4180 (1225)	3940 (1155)	
	-5 (-20.6)		4760 (1395)	4550 (1333)	4350 (1275)	4140 (1213)	3930 (1152)	3720 (1090)	3510 (1029)	
	-10 (-23.3)		4220 (1237)	4040 (1184)	3850 (1128)	3660 (1073)	3470 (1017)	3290 (964)	3090 (906)	
	-15 (-26.1)		3720 (1090)	3550 (1040)	3380 (991)	3190 (935)	3010 (882)	2850 (835)	2680 (785)	
	-20 (-28.9)		3240 (950)	3080 (903)	2930 (859)	2770 (812)	2610 (765)	2470 (724)	2310 (677)	
	-25 (-31.7)		2800 (821)	2660 (780)	2520 (739)	2380 (698)	2250 (659)	2110 (618)	1980 (580)	
	-30 (-34.4)		2390 (700)	2260 (662)	2140 (627)	2030 (595)	1910 (560)	1790 (525)	1670 (489)	

--- Outside Operating Range † Max 40°F RGT

† NOTE: Models in this section are not certified to DOE/NRCAN efficiency standards and should not be used for coolers or freezers less than 3000 sq.ft.



THIS SECTION CONTAINS "GENERATION C" MODELS,  
SUITABLE FOR AWEF-EXEMPT APPLICATIONS<sup>†</sup>

**KEHA**  
COPELAND

**ELECTRICAL DATA**  
**COPELAND MODELS**

**60Hz**

MODEL KEH	COMPRESSOR MODEL NO.	POWER SUPPLY	COMPRESSOR		CONDENSER FAN MOTOR			UNIT	
			RLA	LRA	QTY	WATTS	FLA	MCA	MOP
KEHA006M8- * S2C	RST45C1E-CAV	208-230/1/60	4.6	26.5	1	130	0.5	6.3	15
KEHA008M8- * S2C	RST55C1E-CAV	208-230/1/60	6.1	33.7	1	130	0.5	8.1	15
KEHA009M8- * S2C	RST64C1E-CAV	208-230/1/60	8.0	43.0	1	130	0.5	10.5	15
KEHA010M8- * S2C	RST70C1E-PFV	208-230/1/60	6.9	46.0	1	130	0.5	9.1	15
	T3C RST70C1E-TA5	208-230/3/60	4.9	36.0	1	130	0.5	6.6	15
KEHA011M8- * S2C	RST80C1E-PFV	208-230/1/60	8.3	46.0	1	130	0.5	10.9	15
	T3C RST80C1E-TA5	208-230/3/60	5.1	36.0	1	130	0.5	6.9	15
KEHA013M8- * S2C	RST97C1E-PFV	208-230/1/60	9.0	51.0	1	240	1.1	12.4	20
	T3C RST97C1E-TA5	208-230/3/60	5.4	36.0	1	240	1.1	7.9	15
KEHA006L6- * S2C	RFT22C1E-CAV	208-230/1/60	4.7	29.0	1	130	0.5	6.4	15
KEHA008L6- * S2C	RFT26C1E-CAV	208-230/1/60	5.8	35.5	1	130	0.5	7.8	15

\* I = Indoor, H = Outdoor. Above listed RLA value is based on UL rating method and may differ from published compressor RLA data.

**KEHA**  
COPELAND

**ELECTRICAL DATA**  
**Copeland Models with EC Motor(s)<sup>†</sup>**

**EC MOTORS**  
**60Hz**

MODEL KEH	COMPRESSOR MODEL NO.	POWER SUPPLY	COMPRESSOR		ECM CONDENSER FAN			UNIT	
			RLA	LRA	QTY	WATTS	FLA	MCA	MOP
KEHA006M8- * S2C	RST45C1E-CAV	208-230/1/60	4.6	26.5	1	100	1.0	6.8	15
KEHA008M8- * S2C	RST55C1E-CAV	208-230/1/60	6.1	33.7	1	100	1.0	8.6	15
KEHA009M8- * S2C	RST64C1E-CAV	208-230/1/60	8.1	43.0	1	100	1.0	11.1	15
KEHA010M8- * S2C	RST70C1E-PFV	208-230/1/60	6.9	46.0	1	100	1.0	9.6	15
	T3C RST70C1E-TFC	208-230/3/60	4.9	36.0	1	100	1.0	7.1	15
KEHA011M8- * S2C	RST80C1E-PFV	208-230/1/60	8.3	46.0	1	100	1.0	11.4	15
	T3C RST80C1E-TA5	208-230/3/60	5.1	36.0	1	100	1.0	7.4	15
KEHA013M8- * S2C	RST97C1E-PFV	208-230/1/60	9.0	51.0	1	175	2.0	13.3	20
	T3C RST97C1E-TA5	208-230/3/60	5.4	36.0	1	175	2.0	8.8	15
KEHA006L6- * S2C	RFT22C1E-CAV	208-230/1/60	4.7	29.0	1	100	1.0	6.9	15
KEHA008L6- * S2C	RFT26C1E-CAV	208-230/1/60	5.8	35.5	1	100	1.0	8.3	15

\* I = Indoor, H = Outdoor. Above listed RLA value is based on UL rating method and may differ from published compressor RLA data.

† Applies to units with variable speed EC motors or SmartSpeed (1/2 - 5 HP only). Contact factory for details.

<sup>†</sup> NOTE: Models in this section are not certified to DOE/NRCAN efficiency standards and should not be used for coolers or freezers less than 3000 sq.ft.

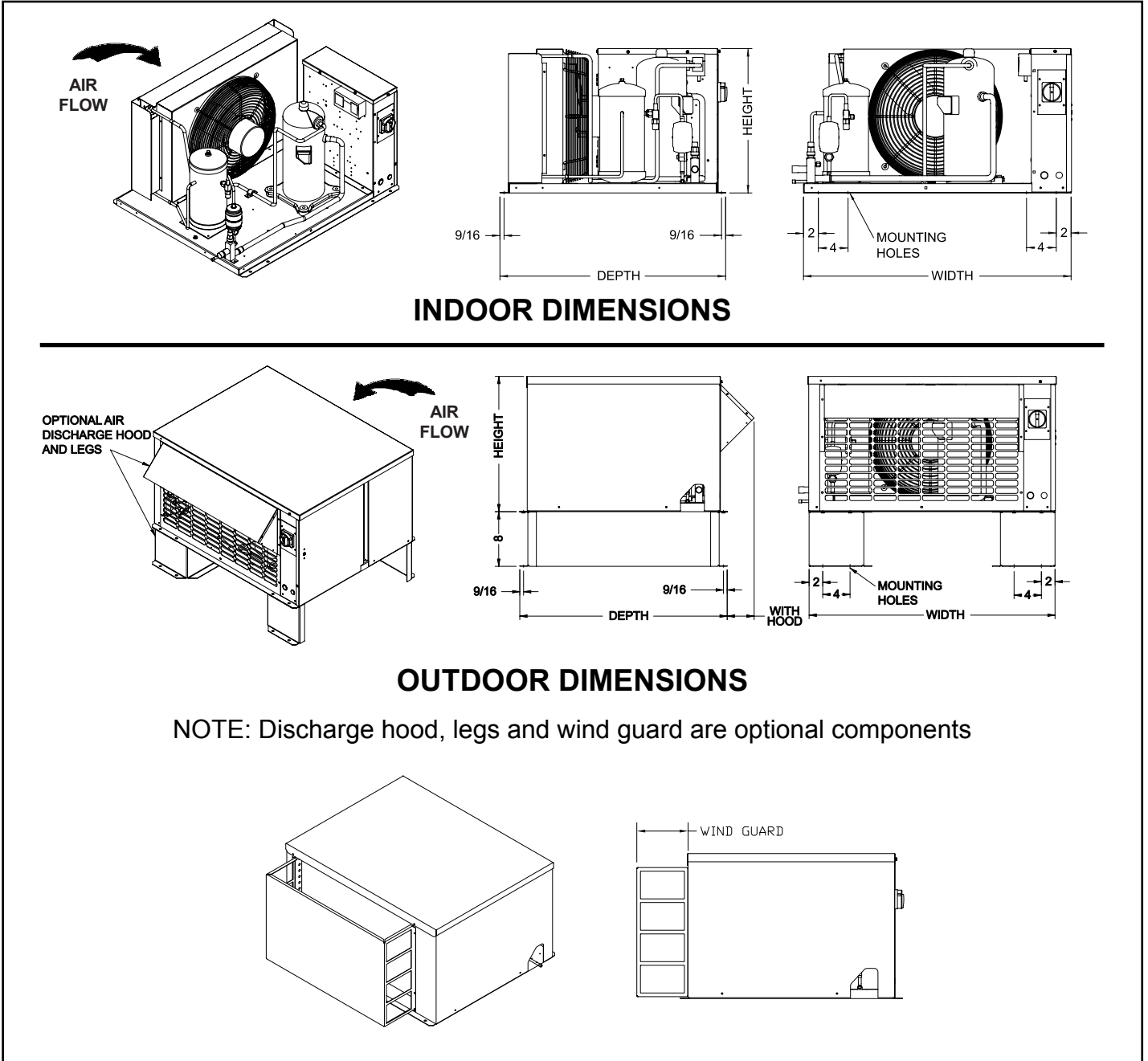


THIS SECTION CONTAINS "GENERATION C" MODELS,  
SUITABLE FOR AWEF-EXEMPT APPLICATIONS<sup>†</sup>

**KEHA**  
COPELAND

**DIMENSIONAL DATA**  
**(Small Chassis "A" Models)**  
**DRAWING #1**

**60Hz**



**REFER TO PAGE 18 FOR  
DIMENSIONAL DATA FOR SPECIFIC MODELS**

<sup>†</sup> NOTE: Models in this section are not certified to DOE/NRCAN efficiency standards and should not be used for coolers or freezers less than 3000 sq.ft.





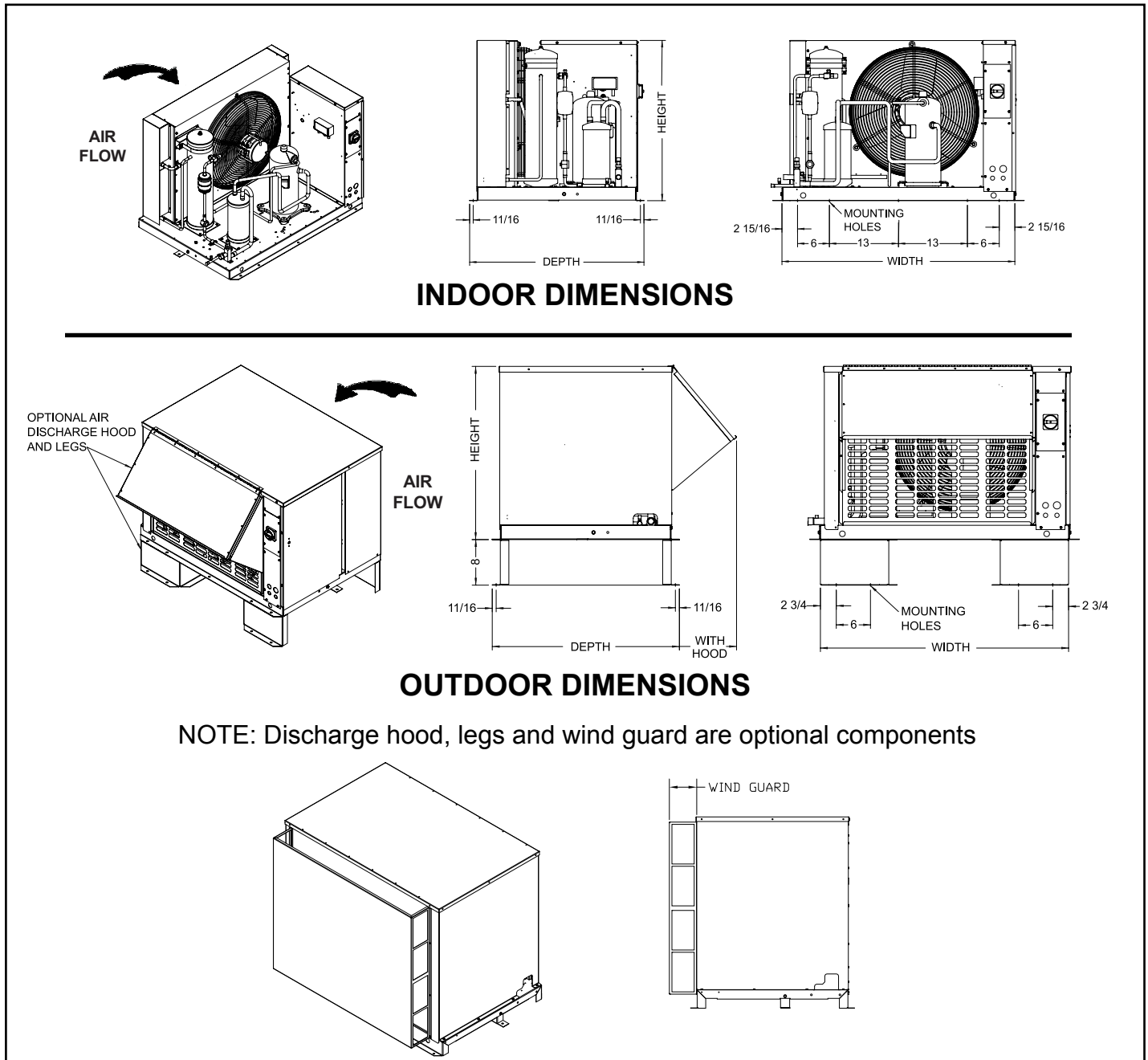
THIS SECTION CONTAINS "GENERATION C" MODELS,  
SUITABLE FOR AWEF-EXEMPT APPLICATIONS†

**KEHA**  
COPELAND

## DIMENSIONAL DATA (Large Chassis "B" Models)

**60Hz**

### DRAWING #2



**REFER TO PAGE 18 FOR  
DIMENSIONAL DATA FOR SPECIFIC MODELS**

† NOTE: Models in this section are not certified to DOE/NRCAN efficiency standards and should not be used for coolers or freezers less than 3000 sq.ft.



THIS SECTION CONTAINS "GENERATION C" MODELS,  
SUITABLE FOR AWEF-EXEMPT APPLICATIONS<sup>†</sup>

**KEHA**  
COPELAND

**DIMENSIONAL DATA**  
**COPELAND MODELS**

**60Hz**

MODEL KEH	CHASSIS	DRAWING # (see table below)	OUTDOOR MODELS										INDOOR MODELS					
			WIDTH		DEPTH						HEIGHT		WIDTH		DEPTH		HEIGHT	
					Base		With Hood, add:		Wind Guard, add:									
Inches	mm	Inches	mm	Inches	mm	Inches	mm	Inches	mm	Inches	mm	Inches	mm	Inches	mm	Inches	mm	
KEHA006M8	A	1	24 7/8	632	30 3/8	772	34 3/8	873	19 3/8	492	16 7/8	429	24 5/8	625	30 3/8	772	19	483
KEHA008M8		1	24 7/8	632	30 3/8	772	34 3/8	873	19 3/8	492	16 7/8	429	24 5/8	625	30 3/8	772	19	483
KEHA009M8		1	24 7/8	632	30 3/8	772	34 3/8	873	19 3/8	492	16 7/8	429	24 5/8	625	30 3/8	772	19	483
KEHA010M8		1	24 7/8	632	30 3/8	772	34 3/8	873	19 3/8	492	16 7/8	429	24 5/8	625	30 3/8	772	19	483
KEHA011M8		1	24 7/8	632	30 3/8	772	34 3/8	873	19 3/8	429	19 7/8	505	24 5/8	625	30 3/8	772	19	419
KEHA013M8	B	2	36 3/8	924	30 3/8	772	34 3/8	873	19 7/8	505	19 7/8	505	36 1/8	918	30 3/8	772	19 1/2	495
KEHA006L6	A	1	24 7/8	632	30 3/8	772	34 3/8	873	19 3/8	492	16 7/8	429	24 5/8	625	30 3/8	772	19	483
KEHA008L6		1	24 7/8	632	30 3/8	772	34 3/8	873	19 3/8	492	16 7/8	429	24 5/8	625	30 3/8	772	19	483

DRAWING #	PAGE #
1	16
2	17

**KEHA**  
COPELAND

**SPECIFICATIONS**  
**COPELAND MODELS**

**60Hz**

MODEL KEH	UNIT CONNECTIONS				R404A		APPROX. SHIPPING WEIGHT			
	SUCTION (OD)		LIQUID (OD)		RECEIVER CAPACITY 90% FULL *		OUTDOOR MODELS		INDOOR MODELS	
	Inches	mm	Inches	mm	Lbs.	Kgs	Lbs.	Kgs	Lbs.	Kgs
KEHA006M8	5/8	16	3/8	10	5.4	2.45	149	68	127	58
KEHA008M8	5/8	16	3/8	10	5.4	2.45	149	68	127	58
KEHA009M8	5/8	16	3/8	10	5.4	2.45	152	69	130	59
KEHA010M8	5/8	16	3/8	10	5.4	2.45	167	76	145	66
KEHA011M8	5/8	16	3/8	10	5.4	2.45	167	76	145	66
KEHA013M8	5/8	16	3/8	10	11.3	5.13	279	127	257	117
KEHA006L6	1/2	13	3/8	10	5.4	2.45	141	64	119	54
KEHA008L6	1/2	13	3/8	10	5.4	2.45	141	64	119	54

\* NOTE ON ALTERNATE REFRIGERANTS:

\* PUBLISHED RECEIVER CAPACITY IS BASED ON R404A ON MODELS USING "8" AS REFRIGERANT CODE.  
FOR ALERNATE REFRIGERANTS, MULTIPLY R404A VALUE BY THE APPROPRIATE VALUE BELOW:

R407A	R407C	R448A	R22
1.10	1.10	1.05	1.15

- For R449A, use R448A data.

<sup>†</sup> NOTE: Models in this section are not certified to DOE/NRCAN efficiency standards and should not be used for coolers or freezers less than 3000 sq.ft.

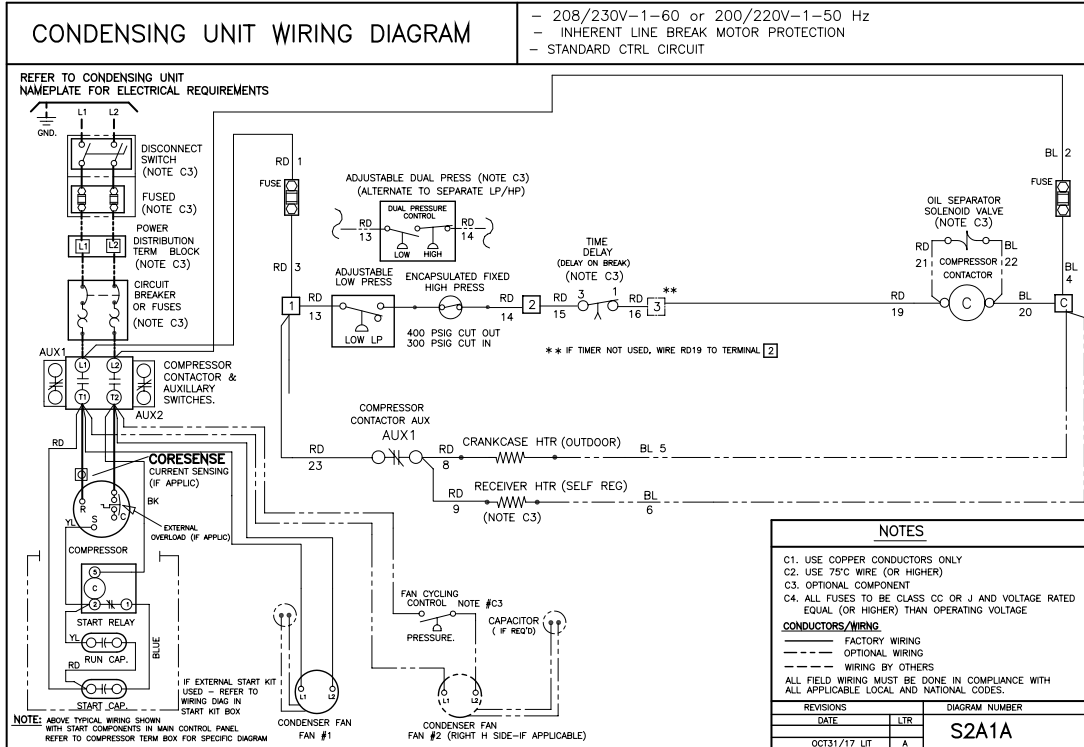


# THIS SECTION CONTAINS "GENERATION C" MODELS, SUITABLE FOR AWEF-EXEMPT APPLICATIONS†

**KEHA**  
COPELAND

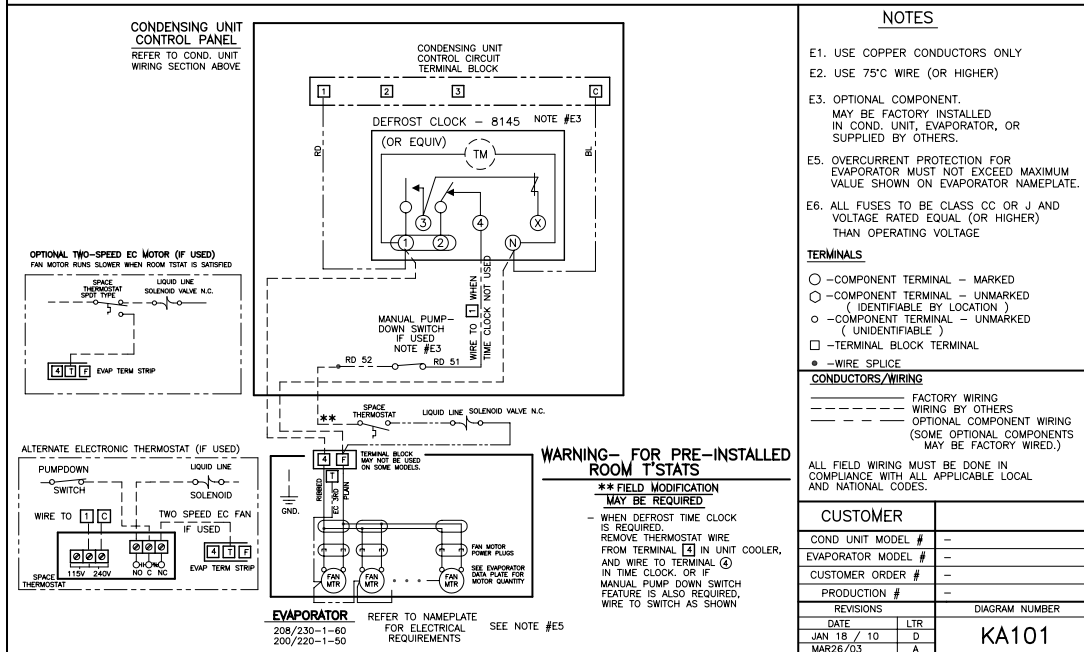
## TYPICAL SYSTEM WIRING DIAGRAM 208-230/1/60

**60Hz**



### TYPICAL EVAPORATOR WIRING: FOR SINGLE AIR DEFROST EVAPORATOR— SINGLE POINT

FOR USE WITH: 208/230-1-60, 200/220-1-50 OR 208/230-3-60, 200/220-3-50 CONDENSING UNITS WITH OR WITHOUT DEFROST TIME CLOCK AND FOR TOTAL EVAP FAN AMPS NOT EXCEEDING 12A



† NOTE: Models in this section are not certified to DOE/NRCAN efficiency standards and should not be used for coolers or freezers less than 3000 sq.ft.

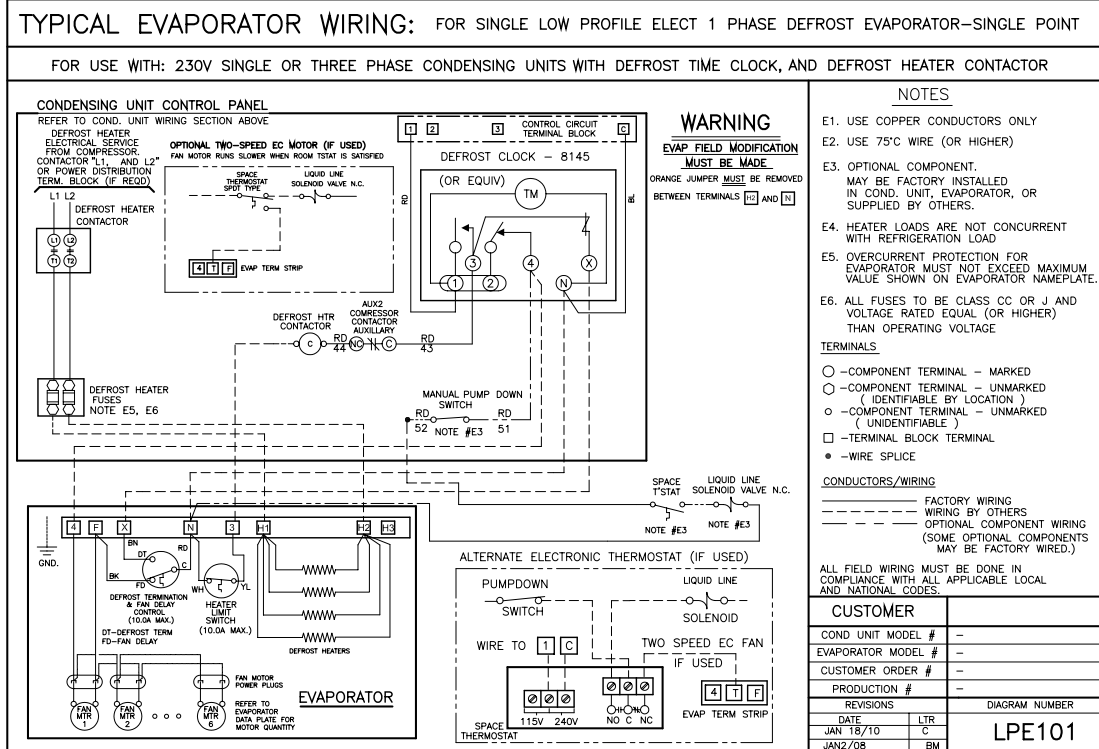
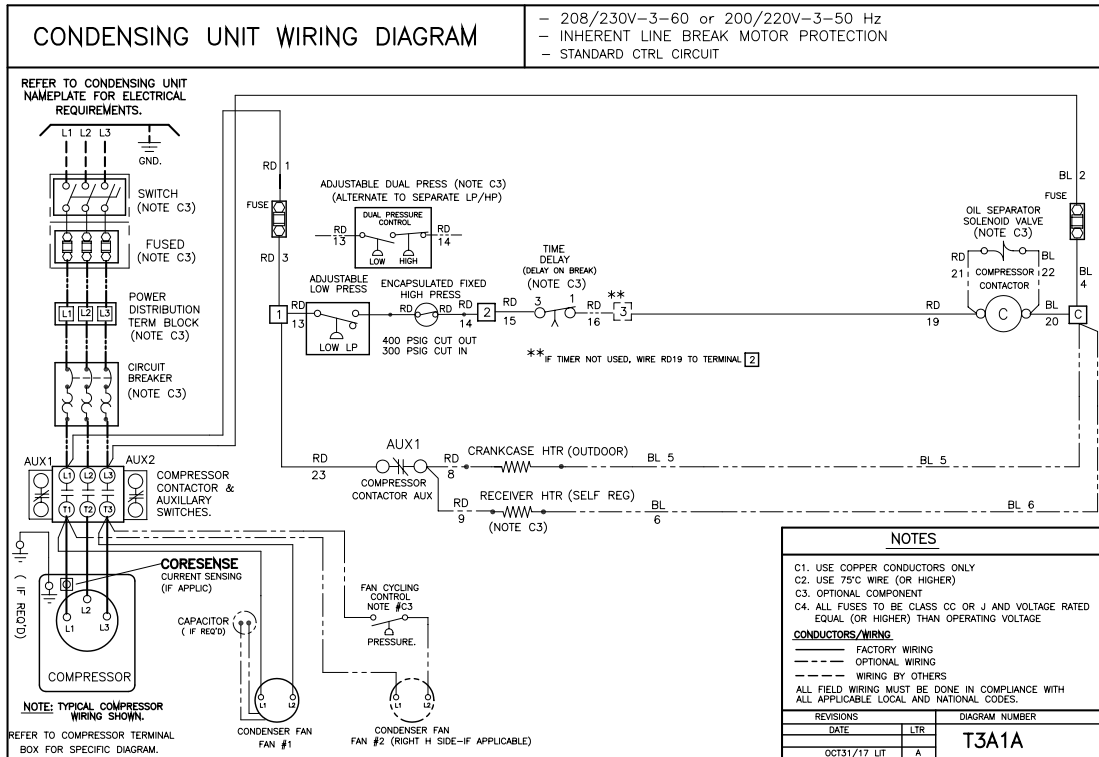


# THIS SECTION CONTAINS "GENERATION C" MODELS, SUITABLE FOR AWEF-EXEMPT APPLICATIONS<sup>†</sup>

**KEHA**  
COPELAND

## TYPICAL SYSTEM WIRING DIAGRAM 208-230/3/60

**60Hz**



<sup>†</sup> NOTE: Models in this section are not certified to DOE/NRCAN efficiency standards and should not be used for coolers or freezers less than 3000 sq.ft.

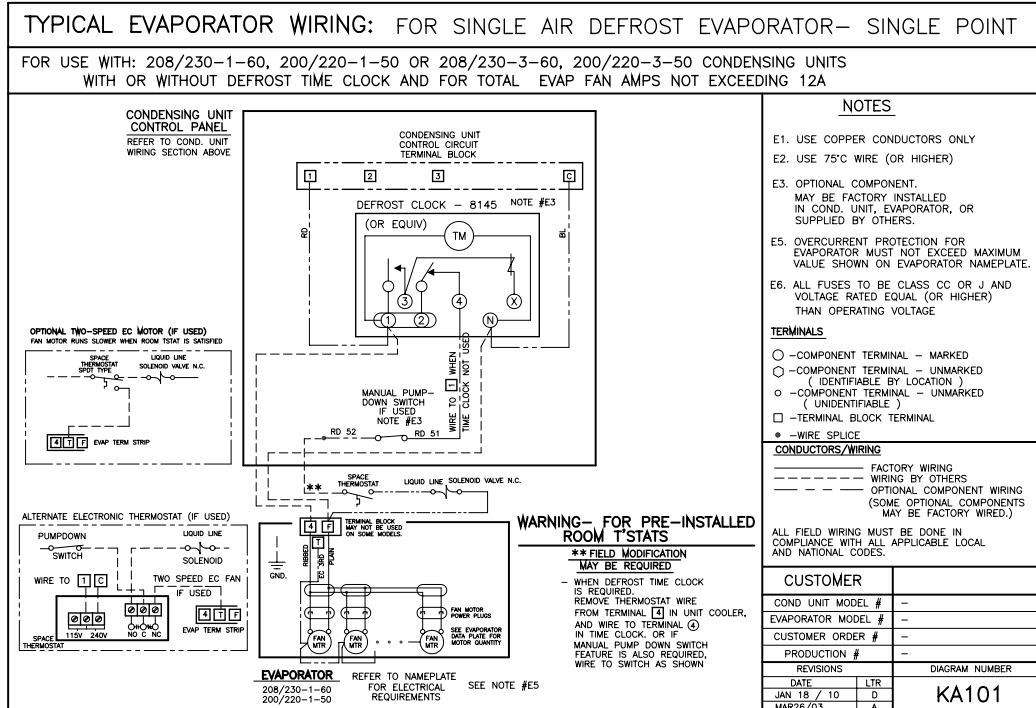
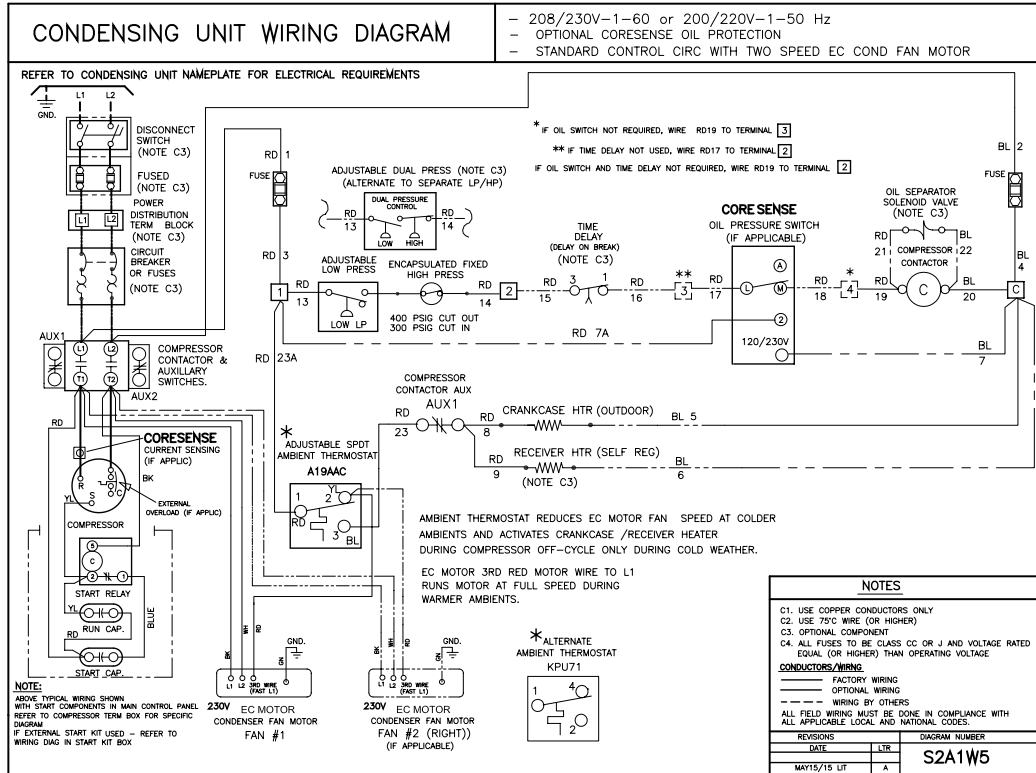


THIS SECTION CONTAINS "GENERATION C" MODELS, SUITABLE FOR AWEF-EXEMPT APPLICATIONS†

**KEHA**  
COPELAND

**TYPICAL SYSTEM WIRING DIAGRAM**  
**208-230/1/60 Unit with SMARTSPEED™**  
**with 230V Air Defrost Evaporator**

**EC MOTORS**  
**60Hz**



† NOTE: Models in this section are not certified to DOE/NRCAN efficiency standards and should not be used for coolers or freezers less than 3000 sq.ft.

**US Patent No.  
9,297,567**

# SMARTSPEED™

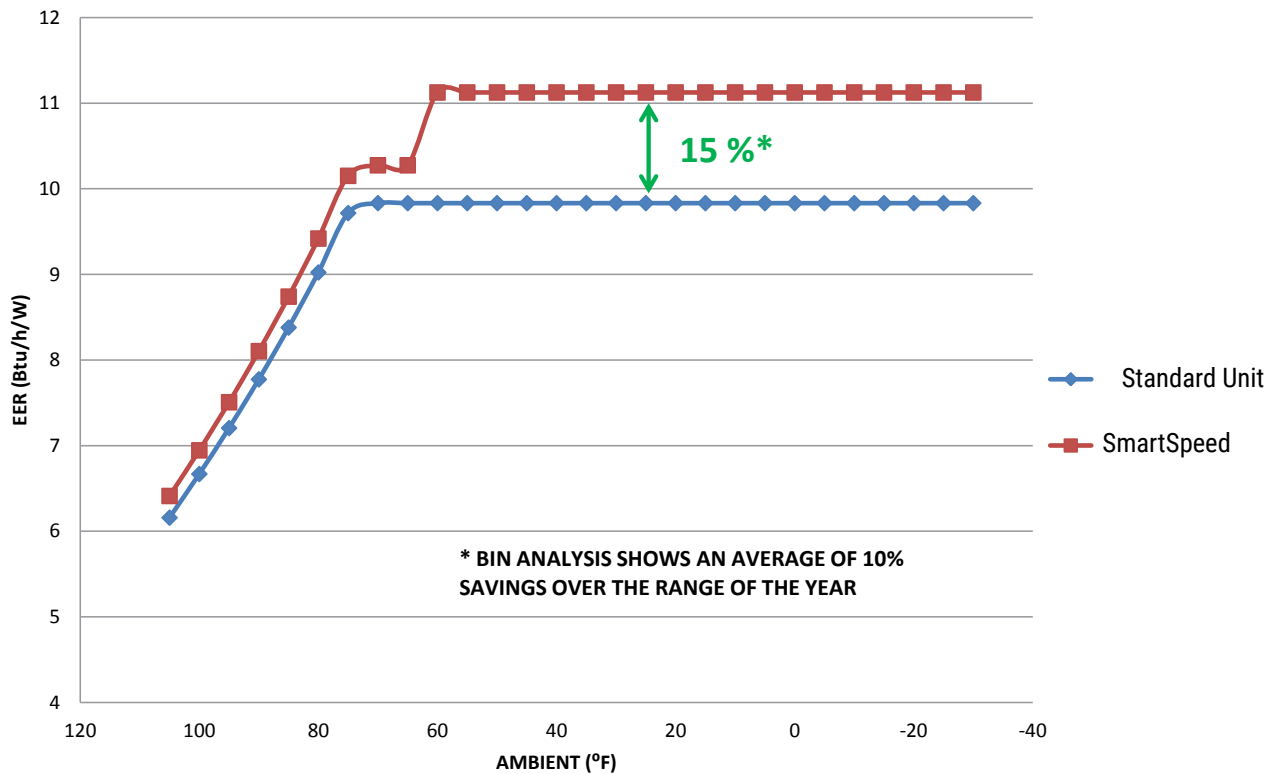
FAN MOTOR TECHNOLOGY



## DESIGN FEATURES

- Standard on models using chassis 1 (optional on chassis A,B)
- No special controls required. No worries about wind or cold climates.
- Ambients above 55°F - EC motor operates at full speed, crankcase heater and heated + insulated receiver disabled from control circuit
- Ambients below 55°F - EC motor operates at low speed, crankcase heater and heated + insulated receiver enabled from control circuit
- Energy saving benefit on motor and compressor wattage consumption:

### Condensing Unit EER - Standard Unit vs. SmartSpeed



Condensing Unit with SmartSpeed Power Consumption Per Motor		
Chassis Size	Ambients above 55°F. Fan Full Speed. Crankcase and Receiver Heaters Off.	Ambients below 55°F. Fan Low Speed. Crankcase and Receiver Heaters On.
1	102 W	19 W
A	102 W	19 W
B	168 W	37 W

**PROJECT INFORMATION****KEH - HERMETIC CONDENSING UNITS**

System	
Model Number	Date of Start-Up
Serial Number	Service Contractor
Refrigerant	Phone
Electrical Supply	E-Mail

 <p>PRODUCT SUPPORT</p>	<p><i>web:</i> <a href="http://www.k-rp.com/keh">www.k-rp.com/keh</a> <i>email:</i> <a href="mailto:smcu@k-rp.com">smcu@k-rp.com</a> <i>call:</i> 1-844-893-3222 x521</p>
 <p>TROUBLESHOOTING</p>	<p><i>email:</i> <a href="mailto:troubleshooting@k-rp.com">troubleshooting@k-rp.com</a> <i>call:</i> 1-844-893-3222 x529</p>
 <p>SERVICE PARTS</p>	<p><i>web:</i> <a href="http://www.k-rp.com/parts">www.k-rp.com/parts</a> <i>email:</i> <a href="mailto:parts@k-rp.com">parts@k-rp.com</a> <i>call:</i> 1-844-893-3222 x504</p>
 <p>WARRANTY</p>	<p><i>web:</i> <a href="http://www.k-rp.com/warranty">www.k-rp.com/warranty</a> <i>email:</i> <a href="mailto:warranty@k-rp.com">warranty@k-rp.com</a> <i>call:</i> 1-844-893-3222 x507</p>
 <p>ORDERS</p>	<p><i>email:</i> <a href="mailto:orders@k-rp.com">orders@k-rp.com</a> <i>call:</i> 1-844-893-3222 x501</p>
 <p>SHIPPING</p>	<p><i>email:</i> <a href="mailto:shipping@k-rp.com">shipping@k-rp.com</a> <i>call:</i> 1-844-893-3222 x503</p>

 <p><b>KeepRite</b><sup>®</sup> REFRIGERATION</p> <p>KeepRite Refrigeration Brantford, ON • Longview, TX 1-800-463-9517 <a href="mailto:info@k-rp.com">info@k-rp.com</a> <a href="http://www.k-rp.com">www.k-rp.com</a></p>	  <p>* "Generation D" models only</p>	
--	---	---