



KX-Line Condensing Units

PRODUCT DATA & SPECIFICATIONS

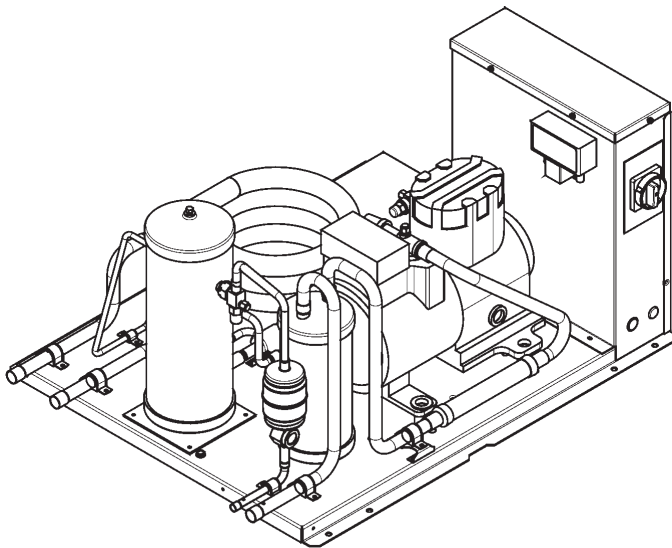
Bulletin K40-KX-PDS-5
Part # 1082039

60
Hz

Indoor Water Cooled
Coaxial Hermetic, Scroll
and Semi-Hermetic
Condensing Units

**1/2 to 6 HP -
High, Medium and Low
Temperature Refrigeration**

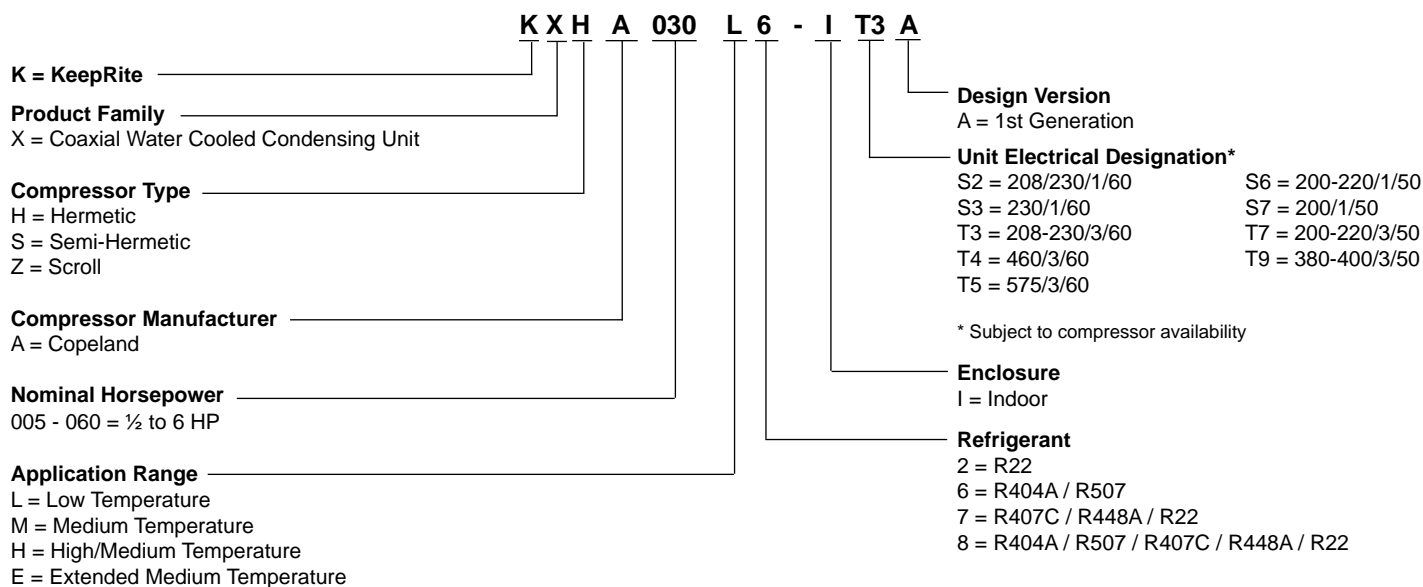
	PRODUCT SUPPORT	scan:
	web: k-rp.com/kx	
	email: rcu-wccu@k-rp.com	
	call: 1-844-893-3222 x523	



CONTENTS

	Page
Nomenclature.....	2
Features and Options.....	2
Capacity Data (Imperial and <i>Metric</i>).....	3 - 13
Electrical Data.....	14 - 16
Dimensional Data.....	17 - 18
Specifications.....	19 - 20
Wiring Diagrams.....	21 - 23
Product Support Resources: Service Parts, Troubleshooting, Warranty, etc.....	BACK

NOMENCLATURE



STANDARD FEATURES

- Weatherproof electrical control box with compressor contactor and fused control circuit
- Pre-formed piping
- Base valve on suction line (KXH)
- Suction service valve (KXS, KXZ)
- Copper tubing secured with cushion clamps
- Semi-hermetics spring mounted with vibration absorber (KXS)
- Hermetics/scrolls rubber mounted (KXH, KXZ)
- Co-Axial condenser
- Receiver with fusible plug and liquid shut off valve
- Adjustable dual high / low pressure control with flex hoses
- Each unit subjected to a thorough leak test with Helium leak-detectors
- Units are shipped with Helium holding charge
- Liquid injection (Low temperature scroll only) (KXZ)
- Water reg valve (shipped loose)

AVAILABLE OPTIONS

- Suction accumulator
- Suction accumulator with boil-out coil
- Discharge line check valve
- Oil separator
- Oil separator c/w oil return filter & solenoid valve
- Receiver inlet ball valve
- Over-sized receiver
- Sealed liquid line filter drier & sight glass
- Ball valve – liquid line (shipped loose)
- Insulated suction lines
- Liquid line solenoid valve (with standard 230 volt coil) – shipped loose
- Compressor circuit breaker
- Defrost heater contactor c/w fuse block
- Evaporator fan contactor c/w fuse block
- Disconnect switch
- Disconnect fusing
- Pump down toggle switch
- Lock out control circuit – Liquid solenoid valve with separate HP and LP controls
- Time delay relay for compressor
- Mechanical time clock
- Electronic voltage/phase monitor

CAPACITY DATA - R407C
HIGH / MEDIUM TEMPERATURE

Capacity Rating Conditions: 85°F (29.4°C) Entering Water, 105°F (40.6°C) Condensing, 0°F (0°C) Subcooling

MODEL KXHA		SATURATED SUCTION TEMPERATURE °F (°C)								
		10 (-12.2)	15 (-9.4)	20 (-6.7)	25 (-3.9)	30 (-1.1)	35 (1.7)	40 (4.4)	45 (7.2)	
KXHA005H7 Compressor: RST45C1E	BTU/H (Watts)	3700 (1080)	4260 (1250)	4880 (1430)	5560 (1630)	6310 (1850)	7130 (2090)	8010 (2350)	8950 (2620)	
	GPM (L/min)	0.7 (2.7)	0.9 (3.4)	1.1 (4.1)	1.3 (5)	1.6 (6)	1.9 (7.2)	2.3 (8.7)	2.7 (10.4)	
	PSIG (kPa)	0.5 (3.8)	0.7 (5)	0.9 (6.5)	1.3 (8.7)	1.7 (11.5)	2.2 (15.3)	2.9 (20.3)	3.9 (27)	
KXHA008H7 Compressor: RST55C1E	BTU/H (Watts)	4550 (1330)	5210 (1530)	5940 (1740)	6740 (1980)	7630 (2240)	8590 (2520)	9650 (2830)	10800 (3170)	
	GPM (L/min)	1.0 (4)	1.3 (4.8)	1.5 (5.9)	1.9 (7.1)	2.3 (8.6)	2.7 (10.3)	3.3 (12.4)	3.9 (14.9)	
	PSIG (kPa)	0.9 (6.3)	1.2 (8.3)	1.6 (11)	2.1 (14.7)	2.9 (19.9)	3.9 (26.8)	5.3 (36.4)	7.2 (49.8)	
KXHA010H7 Compressor: RST70C1E	BTU/H (Watts)	6160 (1810)	7010 (2050)	7950 (2330)	8960 (2630)	10100 (2960)	11300 (3310)	12700 (3720)	14200 (4160)	
	GPM (L/min)	1.5 (5.6)	1.8 (6.8)	2.2 (8.3)	2.6 (10)	3.2 (12.1)	3.8 (14.5)	4.6 (17.3)	5.5 (20.7)	
	PSIG (kPa)	0.4 (3)	0.6 (4.1)	0.8 (5.6)	1.1 (7.6)	1.5 (10.4)	2.1 (14.3)	2.8 (19.6)	3.9 (27.1)	
KXHA015H7 Compressor: CR18K6E	BTU/H (Watts)	7520 (2200)	8860 (2600)	10300 (3020)	11800 (3460)	13400 (3930)	15200 (4450)	17000 (4980)	19000 (5570)	
	GPM (L/min)	1.5 (5.8)	2.1 (7.9)	2.7 (10.3)	3.5 (13.3)	4.4 (16.7)	5.5 (20.9)	6.8 (25.8)	8.3 (31.5)	
	PSIG (kPa)	0.5 (3.6)	0.8 (5.6)	1.2 (8.6)	1.9 (12.9)	2.8 (19.1)	4.1 (28)	5.9 (40.8)	8.5 (58.6)	
KXHA020H7 Compressor: CR24K6E	BTU/H (Watts)	9800 (2870)	11500 (3370)	13400 (3930)	15400 (4510)	17500 (5130)	19700 (5770)	22200 (6510)	24800 (7270)	
	GPM (L/min)	2.0 (7.4)	2.8 (10.5)	3.7 (14.2)	4.9 (18.6)	6.3 (24)	8.0 (30.4)	10.0 (38)	12.4 (47)	
	PSIG (kPa)	0.8 (5.8)	1.3 (9.3)	2.1 (14.4)	3.2 (22)	4.8 (32.9)	7.1 (48.7)	10.3 (71.3)	15.0 (103.6)	
KXHA025H7 Compressor: CR32K6E	BTU/H (Watts)	13000 (3810)	15300 (4480)	17700 (5190)	20300 (5950)	23100 (6770)	26100 (7650)	29300 (8590)	32800 (9610)	
	GPM (L/min)	1.3 (4.8)	2.3 (8.7)	3.6 (13.7)	5.3 (19.9)	7.3 (27.5)	9.7 (36.7)	12.6 (47.8)	16.2 (61.2)	
	PSIG (kPa)	0.3 (1.9)	0.6 (4)	1.1 (7.5)	1.9 (13)	3.1 (21.5)	5.0 (34.5)	7.9 (54.3)	12.1 (83.5)	
KXHA030H7 Compressor: CR38K6E	BTU/H (Watts)	15400 (4510)	18300 (5360)	21500 (6300)	25100 (7360)	29000 (8500)	33100 (9700)	37500 (10990)	42100 (12340)	
	GPM (L/min)	2.4 (9.3)	3.6 (13.5)	5.0 (19.1)	6.9 (26.1)	9.2 (34.7)	11.9 (44.9)	15.0 (56.9)	18.6 (70.6)	
	PSIG (kPa)	0.7 (4.6)	1.1 (7.8)	1.9 (13)	3.1 (21.2)	4.9 (33.7)	7.6 (52.1)	11.4 (78.7)	16.8 (115.7)	
KXHA035H7 Compressor: CR42K6E	BTU/H (Watts)	17300 (5070)	20500 (6010)	24200 (7090)	28200 (8260)	32600 (9550)	37400 (10960)	42300 (12400)	47500 (13920)	
	GPM (L/min)	1.8 (6.8)	3.0 (11.3)	4.6 (17.3)	6.6 (25)	9.1 (34.6)	12.3 (46.5)	15.9 (60.2)	20.1 (76.1)	
	PSIG (kPa)	0.3 (2)	0.5 (3.6)	0.9 (6.1)	1.4 (9.8)	2.2 (15.4)	3.4 (23.7)	5.1 (35.2)	7.4 (51)	
KXHA040H7 Compressor: CR53KQE	BTU/H (Watts)	20700 (6070)	24700 (7240)	28800 (8440)	33300 (9760)	38100 (11170)	43300 (12690)	49000 (14360)	55000 (16120)	
	GPM (L/min)	4.0 (15)	5.3 (20.2)	6.9 (26.3)	8.9 (33.6)	11.2 (42.3)	13.9 (52.8)	17.3 (65.3)	21.1 (80)	
	PSIG (kPa)	0.8 (5.7)	1.2 (8.5)	1.8 (12.2)	2.5 (17.5)	3.6 (24.7)	5.0 (34.8)	7.1 (49.1)	10.0 (68.7)	
KXHA050H7 Compressor: CRN0-050E	BTU/H (Watts)	28700 (8410)	33100 (9700)	37800 (11080)	42700 (12510)	48100 (14100)	54000 (15830)	61000 (17880)	69000 (20220)	
	GPM (L/min)	6.6 (25.1)	8.2 (31)	10.0 (37.7)	12.0 (45.3)	14.4 (54.3)	17.1 (64.8)	20.7 (78.4)	25.2 (95.2)	
	PSIG (kPa)	0.8 (5.9)	1.2 (8.3)	1.7 (11.6)	2.3 (15.9)	3.2 (21.9)	4.4 (30.1)	6.2 (42.6)	8.9 (61.1)	

NOTE: The capacities shown above are rated at dew point. The dew point is a saturation point and is the condition (pressure and temperature) at which a gas begins to condense. Since R407C has significant glide, the saturated gas and saturated liquid temperatures are not the same. It is important that all components of a system are selected correctly

CAPACITY DATA - R404A R507

EXTENDED MEDIUM TEMPERATURE

Capacity Rating Conditions: 85°F (29.4°C) Entering Water, 105°F (40.6°C) Condensing, 0°F (0°C) Subcooling

MODEL KXHA	SATURATED SUCTION TEMPERATURE °F (°C)										
		-25 (-31.7)	-20 (-28.9)	-10 (-23.3)	0 (-17.8)	10 (-12.2)	20 (-6.7)	25 (-3.9)	30 (-1.1)		
KXHA006E6 Compressor: RST45C1E	BTU/H (Watts)	1240 (360)	1620 (470)	2380 (700)	3200 (940)	4090 (1200)	5110 (1500)	5680 (1660)	6290 (1840)		
	GPM (L/min)	0.2 (0.7)	0.3 (1)	0.4 (1.6)	0.6 (2.3)	0.9 (3.3)	1.2 (4.6)	1.4 (5.4)	1.7 (6.3)		
	PSIG (kPa)	0.1 (0.5)	0.1 (0.7)	0.2 (1.3)	0.3 (2.2)	0.5 (3.7)	0.9 (6)	1.1 (7.6)	1.4 (9.7)		
KXHA008E6 Compressor: RST64C1E	BTU/H (Watts)	2070 (610)	2360 (690)	3090 (910)	4030 (1180)	5170 (1520)	6490 (1900)	7220 (2120)	7990 (2340)		
	GPM (L/min)	0.2 (0.9)	0.3 (1.1)	0.4 (1.5)	0.6 (2.2)	0.8 (3.1)	1.1 (4.3)	1.3 (5.1)	1.6 (5.9)		
	PSIG (kPa)	0.1 (1)	0.2 (1.2)	0.3 (1.8)	0.4 (2.8)	0.6 (4.4)	1.0 (7.1)	1.3 (8.9)	1.6 (11.2)		
KXHA009E6 Compressor: RST64C1E	BTU/H (Watts)	2380 (700)	2860 (840)	3940 (1150)	5190 (1520)	6610 (1940)	8190 (2400)	9050 (2650)	9950 (2920)		
	GPM (L/min)	0.4 (1.4)	0.4 (1.7)	0.7 (2.5)	1.0 (3.6)	1.4 (5.1)	1.9 (7)	2.2 (8.2)	2.5 (9.5)		
	PSIG (kPa)	0.2 (1.6)	0.3 (2)	0.5 (3.4)	0.8 (5.5)	1.3 (9)	2.1 (14.6)	2.7 (18.7)	3.4 (23.6)		
KXHA010E6 Compressor: RST70C1E	BTU/H (Watts)	2390 (700)	2880 (840)	4010 (1180)	5330 (1560)	6840 (2000)	8550 (2510)	9480 (2780)	10500 (3080)		
	GPM (L/min)	0.3 (1.2)	0.4 (1.5)	0.6 (2.3)	0.9 (3.4)	1.3 (4.9)	1.8 (6.8)	2.1 (7.9)	2.4 (9.1)		
	PSIG (kPa)	0.2 (1.4)	0.3 (1.8)	0.4 (3.1)	0.7 (5.2)	1.2 (8.5)	2.0 (13.8)	2.5 (17.5)	3.2 (21.9)		
KXHA015E6 Compressor: CS10K6E	BTU/H (Watts)	1970 (580)	2710 (790)	4580 (1340)	6930 (2030)	9710 (2850)	12900 (3780)	14600 (4280)	16300 (4780)		
	GPM (L/min)	0.0 (0.1)	0.1 (0.4)	0.3 (1.3)	0.8 (3)	1.5 (5.6)	2.5 (9.4)	3.1 (11.7)	3.8 (14.3)		
	PSIG (kPa)	0.1 (0.7)	0.1 (0.7)	0.1 (0.5)	0.2 (1.4)	0.5 (3.4)	1.1 (7.4)	1.5 (10.5)	2.1 (14.7)		
KXHA020E6 Compressor: CS12K6E	BTU/H (Watts)	2610 (760)	3500 (1030)	5670 (1660)	8340 (2440)	11500 (3370)	15100 (4430)	17100 (5010)	19200 (5630)		
	GPM (L/min)	0.1 (0.4)	0.2 (0.7)	0.6 (2.1)	1.2 (4.4)	2.1 (8.1)	3.5 (13.2)	4.3 (16.4)	5.3 (20.1)		
	PSIG (kPa)	0.1 (0.7)	0.1 (0.7)	0.1 (0.9)	0.3 (2.4)	0.8 (5.8)	1.9 (12.8)	2.7 (18.5)	3.8 (26.2)		
KXHA025E6 Compressor: CS14K6E	BTU/H (Watts)	3780 (1110)	4750 (1390)	7160 (2100)	10100 (2960)	13600 (3990)	17500 (5130)	19600 (5740)	21800 (6390)		
	GPM (L/min)	0.2 (0.8)	0.3 (1.2)	0.7 (2.6)	1.3 (5)	2.3 (8.7)	3.7 (14.1)	4.6 (17.6)	5.7 (21.4)		
	PSIG (kPa)	0.1 (0.4)	0.1 (0.7)	0.2 (1.6)	0.5 (3.4)	1.0 (7.2)	2.1 (14.4)	2.9 (20)	4.0 (27.5)		
KXHA030E6 Compressor: CS18K6E	BTU/H (Watts)	4530 (1330)	5590 (1640)	8630 (2530)	12700 (3720)	17500 (5130)	22900 (6710)	25700 (7530)	28500 (8350)		
	GPM (L/min)	0.1 (0.3)	0.1 (0.5)	0.4 (1.4)	0.9 (3.4)	1.9 (7.1)	3.5 (13.3)	4.6 (17.4)	5.8 (22.1)		
	PSIG (kPa)	0.1 (0.7)	0.1 (0.7)	0.1 (0.5)	0.2 (1.2)	0.4 (3.1)	1.0 (7.2)	1.5 (10.6)	2.2 (15.3)		
KXHA035E6 Compressor: CS20K6E	BTU/H (Watts)	4580 (1340)	6420 (1880)	10100 (2960)	14200 (4160)	19200 (5630)	25600 (7500)	29500 (8650)	34000 (9960)		
	GPM (L/min)	0.1 (0.4)	0.2 (0.8)	0.6 (2.2)	1.2 (4.7)	2.5 (9.5)	4.9 (18.6)	6.9 (26.2)	9.7 (36.8)		
	PSIG (kPa)	0.1 (0.7)	0.1 (0.7)	0.1 (0.8)	0.3 (1.8)	0.6 (4.5)	1.7 (11.8)	2.9 (19.9)	5.0 (34.8)		
KXHA040E6 Compressor: CS27K6E	BTU/H (Watts)	7530 (2210)	9410 (2760)	13800 (4040)	19200 (5630)	25800 (7560)	33800 (9910)	38400 (11250)	43300 (12690)		
	GPM (L/min)	0.8 (2.9)	1.1 (4.1)	2.0 (7.5)	3.4 (12.8)	5.4 (20.5)	8.4 (31.9)	10.4 (39.2)	12.6 (47.8)		
	PSIG (kPa)	0.1 (0.8)	0.2 (1.2)	0.4 (2.7)	0.8 (5.7)	1.7 (12)	3.6 (24.8)	5.1 (35.5)	7.3 (50.3)		
KXHA050E6 Compressor: CS33K6E	BTU/H (Watts)	9590 (2810)	10800 (3170)	15300 (4480)	21900 (6420)	29800 (8730)	38300 (11220)	42600 (12480)	46800 (13720)		
	GPM (L/min)	0.7 (2.5)	0.8 (3.1)	1.5 (5.7)	2.8 (10.6)	4.8 (18)	7.3 (27.6)	8.7 (33)	10.1 (38.3)		
	PSIG (kPa)	0.1 (0.7)	0.1 (0.9)	0.3 (1.8)	0.5 (3.7)	1.1 (7.3)	1.9 (13.1)	2.5 (17)	3.1 (21.2)		

CAPACITY DATA - R404A R507

LOW TEMPERATURE

Capacity Rating Conditions: 85°F (29.4°C) Entering Water, 105°F (40.6°C) Condensing, 0°F (0°C) Subcooling

MODEL KXHA	SATURATED SUCTION TEMPERATURE °F (°C)									
		-30 (-34.4)	-20 (-28.9)	-10 (-23.3)	-5 (-20.6)	0 (-17.8)	5 (-15)	10 (-12.2)		
KXHA006L6 Compressor: RFT22C1E	BTU/H (Watts)	1310 (380)	1890 (550)	2580 (760)	2960 (870)	3380 (990)	3830 (1120)	4300 (1260)		
	GPM (L/min)	0.2 (0.9)	0.4 (1.6)	0.7 (2.7)	0.9 (3.3)	1.1 (4.1)	1.3 (5.1)	1.6 (6.1)		
	PSIG (kPa)	0.1 (0.5)	0.1 (1)	0.3 (2)	0.4 (2.8)	0.6 (3.8)	0.8 (5.2)	1.0 (7.1)		
KXHA008L6 Compressor: RFT26C1E	BTU/H (Watts)	1670 (490)	2340 (690)	3140 (920)	3600 (1060)	4100 (1200)	4610 (1350)	5180 (1520)		
	GPM (L/min)	0.5 (1.9)	0.8 (3)	1.2 (4.6)	1.5 (5.6)	1.8 (6.8)	2.2 (8.2)	2.6 (9.8)		
	PSIG (kPa)	0.2 (1.2)	0.3 (2.3)	0.7 (4.5)	0.9 (6.2)	1.2 (8.5)	1.7 (11.6)	2.3 (15.6)		
KXHA010L6 Compressor: CF04K6E	BTU/H (Watts)	2080 (610)	3570 (1050)	5310 (1560)	6370 (1870)	7590 (2220)	9020 (2640)	10700 (3140)		
	GPM (L/min)	0.4 (1.7)	0.9 (3.5)	1.7 (6.3)	2.2 (8.2)	2.8 (10.7)	3.7 (14)	4.8 (18.2)		
	PSIG (kPa)	0.2 (1.5)	0.6 (3.9)	1.4 (9.5)	2.2 (14.8)	3.4 (23.2)	5.3 (36.7)	8.5 (58.5)		
KXHA020L6 Compressor: CF06K6E	BTU/H (Watts)	3660 (1070)	5720 (1680)	8330 (2440)	9800 (2870)	11400 (3340)	13100 (3840)	14900 (4370)		
	GPM (L/min)	0.7 (2.5)	1.3 (4.8)	2.3 (8.6)	2.9 (11.2)	3.7 (14.1)	4.6 (17.6)	5.7 (21.4)		
	PSIG (kPa)	0.5 (3.4)	1.2 (8.3)	2.9 (20.1)	4.4 (30.6)	6.6 (45.4)	9.6 (66.2)	13.6 (93.9)		
KXHA025L6 Compressor: CF09K6E	BTU/H (Watts)	5820 (1710)	8810 (2580)	12400 (3630)	14500 (4250)	16700 (4890)	19100 (5600)	21600 (6330)		
	GPM (L/min)	0.8 (3)	1.7 (6.5)	3.2 (12.3)	4.3 (16.2)	5.5 (20.8)	6.9 (26.2)	8.6 (32.6)		
	PSIG (kPa)	0.2 (1.4)	0.6 (4.2)	1.7 (11.4)	2.6 (18)	4.0 (27.9)	6.1 (42.2)	9.1 (62.5)		
KXHA030L6 Compressor: CF12K6E	BTU/H (Watts)	7850 (2300)	11700 (3430)	16000 (4690)	18400 (5390)	21100 (6180)	24100 (7060)	27300 (8000)		
	GPM (L/min)	1.1 (4.3)	2.4 (9.1)	4.4 (16.8)	5.8 (22.1)	7.6 (28.7)	9.8 (37)	12.5 (47.4)		
	PSIG (kPa)	0.4 (2.8)	1.1 (7.6)	2.7 (18.7)	4.2 (28.9)	6.4 (44.4)	9.9 (68.2)	15.2 (104.9)		

CAPACITY DATA - R22 HIGH / MEDIUM TEMPERATURE

Capacity Rating Conditions: 85°F (29.4°C) Entering Water, 105°F (40.6°C) Condensing, 0°F (0°C) Subcooling

MODEL KXHA		SATURATED SUCTION TEMPERATURE °F (°C)								
		10 (-12.2)	15 (-9.4)	20 (-6.7)	25 (-3.9)	30 (-1.1)	35 (1.7)	40 (4.4)	45 (7.2)	
KXHA005H7 Compressor: RST45C1E	BTU/H (Watts)	4140 (1210)	4680 (1370)	5280 (1550)	5960 (1750)	6720 (1970)	7590 (2220)	8590 (2520)	9720 (2850)	
	GPM (L/min)	0.6 (2.1)	0.7 (2.6)	0.8 (3)	1.0 (3.6)	1.1 (4.3)	1.4 (5.2)	1.7 (6.3)	2.0 (7.6)	
	PSIG (kPa)	0.4 (2.8)	0.5 (3.5)	0.6 (4.3)	0.8 (5.5)	1.0 (7.1)	1.3 (9.2)	1.8 (12.2)	2.4 (16.5)	
KXHA008H7 Compressor: RST55C1E	BTU/H (Watts)	5820 (1710)	6630 (1940)	7530 (2210)	8500 (2490)	9570 (2800)	10700 (3140)	12000 (3520)	13400 (3930)	
	GPM (L/min)	1.1 (4.3)	1.3 (5.1)	1.6 (6.1)	1.9 (7.2)	2.3 (8.6)	2.7 (10.1)	3.2 (12)	3.7 (14.1)	
	PSIG (kPa)	1.0 (6.9)	1.3 (9)	1.7 (11.6)	2.2 (15.1)	2.9 (19.8)	3.8 (26.1)	5.0 (34.4)	6.6 (45.5)	
KXHA010H7 Compressor: RST70C1E	BTU/H (Watts)	6200 (1820)	7310 (2140)	8480 (2490)	9740 (2850)	11100 (3250)	12500 (3660)	14100 (4130)	15800 (4630)	
	GPM (L/min)	0.9 (3.3)	1.1 (4.3)	1.4 (5.5)	1.8 (6.8)	2.2 (8.4)	2.7 (10.2)	3.3 (12.3)	3.9 (14.8)	
	PSIG (kPa)	0.2 (1.4)	0.3 (2)	0.4 (2.9)	0.6 (4)	0.8 (5.6)	1.1 (7.8)	1.6 (10.8)	2.2 (15)	
KXHA015H7 Compressor: CR18K6E	BTU/H (Watts)	7310 (2140)	9140 (2680)	11000 (3220)	13000 (3810)	15000 (4400)	17200 (5040)	19500 (5710)	22000 (6450)	
	GPM (L/min)	0.7 (2.8)	1.1 (4.3)	1.6 (6.2)	2.2 (8.5)	3.0 (11.2)	3.8 (14.3)	4.8 (18)	5.9 (22.4)	
	PSIG (kPa)	0.2 (1.3)	0.3 (2.3)	0.6 (3.9)	0.9 (6.3)	1.4 (9.7)	2.1 (14.7)	3.1 (21.7)	4.6 (31.7)	
KXHA020H7 Compressor: CR24K6E	BTU/H (Watts)	11000 (3220)	12900 (3780)	14900 (4370)	17100 (5010)	19500 (5710)	22100 (6480)	24900 (7300)	27800 (8150)	
	GPM (L/min)	1.3 (5)	1.8 (6.8)	2.4 (9)	3.1 (11.8)	4.0 (15.3)	5.2 (19.5)	6.5 (24.7)	8.2 (31)	
	PSIG (kPa)	0.5 (3.5)	0.7 (5.1)	1.1 (7.5)	1.6 (11)	2.3 (16.2)	3.4 (23.7)	5.0 (34.6)	7.3 (50.4)	
KXHA025H7 Compressor: CR32K6E	BTU/H (Watts)	15300 (4480)	17700 (5190)	20300 (5950)	23100 (6770)	26000 (7620)	29200 (8560)	32600 (9550)	36300 (10640)	
	GPM (L/min)	2.8 (10.6)	3.7 (14.1)	4.9 (18.4)	6.2 (23.6)	7.9 (30)	10.0 (37.7)	12.4 (47.1)	15.5 (58.5)	
	PSIG (kPa)	0.8 (5.2)	1.1 (7.8)	1.7 (11.6)	2.5 (17)	3.6 (24.8)	5.2 (36.1)	7.7 (52.8)	11.2 (77.2)	
KXHA030H7 Compressor: CR38K6E	BTU/H (Watts)	17500 (5130)	20400 (5980)	23500 (6890)	26900 (7880)	30400 (8910)	34200 (10020)	38200 (11200)	42400 (12430)	
	GPM (L/min)	1.5 (5.8)	2.2 (8.4)	3.1 (11.6)	4.1 (15.4)	5.3 (19.9)	6.7 (25.3)	8.3 (31.6)	10.3 (38.9)	
	PSIG (kPa)	0.4 (2.5)	0.6 (4)	0.9 (6.2)	1.4 (9.4)	2.0 (13.9)	2.9 (20.1)	4.2 (28.8)	5.9 (40.8)	
KXHA035H7 Compressor: CR42K6E	BTU/H (Watts)	19600 (5740)	22800 (6680)	26200 (7680)	29900 (8760)	33800 (9910)	38100 (11170)	42700 (12510)	47600 (13950)	
	GPM (L/min)	0.9 (3.6)	1.6 (6.1)	2.5 (9.3)	3.5 (13.3)	4.8 (18.2)	6.4 (24.3)	8.3 (31.5)	10.6 (40.1)	
	PSIG (kPa)	0.1 (1)	0.3 (1.8)	0.4 (2.9)	0.6 (4.4)	0.9 (6.5)	1.4 (9.5)	2.0 (13.5)	2.8 (19.1)	
KXHA040H7 Compressor: CR53KQE	BTU/H (Watts)	25800 (7560)	29700 (8700)	34000 (9960)	38600 (11310)	43700 (12810)	49200 (14420)	55400 (16240)	62300 (18260)	
	GPM (L/min)	3.3 (12.3)	4.2 (15.8)	5.3 (20)	6.6 (24.9)	8.1 (30.8)	10.0 (38)	12.4 (46.8)	15.2 (57.6)	
	PSIG (kPa)	0.7 (4.5)	0.9 (6.2)	1.2 (8.4)	1.6 (11.3)	2.2 (15.4)	3.0 (20.9)	4.2 (28.8)	5.8 (40)	
KXHA050H7 Compressor: CRNQ-050E	BTU/H (Watts)	30700 (9000)	35400 (10370)	40500 (11870)	45800 (13420)	51600 (15120)	57800 (16940)	64600 (18930)	71900 (21070)	
	GPM (L/min)	4.5 (17.1)	5.6 (21)	6.7 (25.5)	8.1 (30.6)	9.6 (36.4)	11.4 (43.1)	13.4 (50.8)	15.8 (59.8)	
	PSIG (kPa)	0.5 (3.2)	0.6 (4.4)	0.9 (6)	1.2 (8.1)	1.6 (10.9)	2.1 (14.6)	2.8 (19.5)	3.8 (26)	

MEDIUM TEMPERATURE

Capacity Rating Conditions: 85°F (29.4°C) Entering Water, 105°F (40.6°C) Condensing, 0°F (0°C) Subcooling

MODEL KXSA	SATURATED SUCTION TEMPERATURE °F (°C)									
	-5 (-20.6)	0 (-17.8)	5 (-15)	10 (-12.2)	15 (-9.4)	20 (-6.7)	25 (-3.9)			
KXSA005M6 Compressor: HAJA-005E	BTU/H (Watts)	2350 (690)	2710 (790)	3080 (900)	3470 (1020)	3900 (1140)	4400 (1290)	4970 (1460)		
	GPM (L/min)	0.6 (2.1)	0.6 (2.2)	0.6 (2.4)	0.7 (2.6)	0.8 (2.9)	0.9 (3.3)	1.0 (3.9)		
	PSIG (kPa)	0.3 (1.8)	0.3 (1.9)	0.3 (2.2)	0.4 (2.5)	0.4 (3)	0.5 (3.6)	0.7 (4.5)		
KXSA010M6 Compressor: KARB-010E	BTU/H (Watts)	4870 (1430)	5540 (1620)	6320 (1850)	7170 (2100)	8070 (2370)	8980 (2630)	9870 (2890)		
	GPM (L/min)	1.2 (4.5)	1.3 (4.8)	1.4 (5.3)	1.6 (5.9)	1.8 (6.8)	2.1 (7.8)	2.3 (8.8)		
	PSIG (kPa)	1.1 (7.3)	1.2 (8)	1.3 (9.3)	1.6 (11.1)	2.0 (13.8)	2.5 (17.1)	3.0 (21)		
KXSA020M6 Compressor: KAKA-020E	BTU/H (Watts)	7920 (2320)	8930 (2620)	10200 (2990)	11600 (3400)	13100 (3840)	14800 (4340)	16400 (4810)		
	GPM (L/min)	1.3 (4.8)	1.5 (5.6)	1.8 (6.8)	2.2 (8.3)	2.7 (10.2)	3.3 (12.5)	3.9 (14.9)		
	PSIG (kPa)	0.5 (3.6)	0.6 (4.2)	0.7 (5.1)	0.9 (6.5)	1.3 (8.7)	1.7 (11.7)	2.3 (15.5)		
KXSA021M6 Compressor: ERCA-021E	BTU/H (Watts)	9610 (2820)	11200 (3280)	12800 (3750)	14600 (4280)	16400 (4810)	18500 (5420)	20800 (6100)		
	GPM (L/min)	1.6 (5.9)	1.9 (7)	2.3 (8.6)	2.8 (10.6)	3.5 (13.1)	4.3 (16.4)	5.4 (20.4)		
	PSIG (kPa)	0.6 (4.1)	0.8 (5.3)	1.0 (6.9)	1.4 (9.4)	1.9 (12.9)	2.6 (18)	3.7 (25.4)		
KXSA030M6 Compressor: ERFA-031E	BTU/H (Watts)	14300 (4190)	16400 (4810)	18600 (5450)	21100 (6180)	23800 (6980)	26700 (7820)	30000 (8790)		
	GPM (L/min)	3.1 (11.7)	3.1 (11.7)	3.3 (12.5)	3.8 (14.3)	4.6 (17.5)	5.8 (22.1)	7.6 (28.7)		
	PSIG (kPa)	0.9 (6.2)	0.9 (6.1)	1.0 (7)	1.3 (9.1)	1.9 (13.1)	2.9 (19.8)	4.5 (30.8)		
KXSA035M6 Compressor: 3RAA-031E	BTU/H (Watts)	16100 (4720)	18800 (5510)	21800 (6390)	25000 (7330)	28600 (8380)	32500 (9520)	36700 (10760)		
	GPM (L/min)	7.8 (29.5)	7.1 (26.8)	6.7 (25.2)	6.6 (24.9)	6.9 (26.3)	7.8 (29.5)	9.3 (35.2)		
	PSIG (kPa)	3.2 (21.8)	2.7 (18.8)	2.5 (17.2)	2.5 (16.9)	2.6 (18.3)	3.2 (21.9)	4.2 (29.2)		
KXSA040M6 Compressor: NRB2-040E	BTU/H (Watts)	18200 (5330)	21400 (6270)	24700 (7240)	28400 (8320)	32300 (9470)	36700 (10760)	41500 (12160)		
	GPM (L/min)	4.0 (15)	4.3 (16.3)	4.8 (18.2)	5.6 (21.1)	6.6 (25)	8.0 (30.1)	9.7 (36.8)		
	PSIG (kPa)	0.7 (5)	0.8 (5.8)	1.0 (7)	1.3 (9)	1.8 (12.1)	2.4 (16.7)	3.4 (23.6)		

CAPACITY DATA - R404A R507

LOW TEMPERATURE

Capacity Rating Conditions: 85°F (29.4°C) Entering Water, 105°F (40.6°C) Condensing, 0°F (0°C) Subcooling

MODEL KXSA	SATURATED SUCTION TEMPERATURE °F (°C)									
	-40 (-40)	-30 (-34.4)	-20 (-28.9)	-15 (-26.1)	-10 (-23.3)	0 (-17.8)				
KXSA005L6 Compressor: KANB-005E	BTU/H (Watts)	730 (210)	1240 (360)	1910 (560)	2310 (680)	2750 (810)	3740 (1100)			
	GPM (L/min)	0.9 (3.4)	0.7 (2.8)	0.7 (2.6)	0.7 (2.8)	0.8 (3.1)	1.2 (4.6)			
	PSIG (kPa)	0.4 (3.1)	0.4 (2.6)	0.4 (2.5)	0.4 (2.6)	0.4 (2.8)	0.6 (4.4)			
KXSA008L6 Compressor: KAMB-007E	BTU/H (Watts)	1750 (510)	2360 (690)	3320 (970)	3910 (1150)	4550 (1330)	5940 (1740)			
	GPM (L/min)	0.5 (2)	0.6 (2.3)	0.8 (3)	0.9 (3.5)	1.1 (4.3)	1.7 (6.4)			
	PSIG (kPa)	0.2 (1.7)	0.3 (2)	0.4 (3)	0.6 (4)	0.8 (5.3)	1.4 (10)			
KXSA010L6 Compressor: KAJB-010E	BTU/H (Watts)	2210 (650)	3230 (950)	4480 (1310)	5210 (1530)	6010 (1760)	7860 (2300)			
	GPM (L/min)	1.2 (4.5)	1.1 (4.3)	1.2 (4.4)	1.2 (4.7)	1.4 (5.2)	1.8 (6.9)			
	PSIG (kPa)	1.0 (7.1)	1.0 (6.6)	1.0 (7.1)	1.1 (7.8)	1.3 (9.1)	2.0 (14.1)			
KXSA015L6 Compressor: KALB-015E	BTU/H (Watts)	3260 (960)	4830 (1420)	6700 (1960)	7780 (2280)	8950 (2620)	11700 (3430)			
	GPM (L/min)	1.4 (5.2)	1.4 (5.4)	1.7 (6.3)	1.9 (7.3)	2.3 (8.5)	3.3 (12.5)			
	PSIG (kPa)	0.3 (2.4)	0.4 (2.5)	0.5 (3.4)	0.6 (4.3)	0.8 (5.8)	1.6 (11.2)			
KXSA020L6 Compressor: EADB-021E	BTU/H (Watts)	3570 (1050)	5240 (1540)	7480 (2190)	8820 (2580)	10300 (3020)	13800 (4040)			
	GPM (L/min)	1.4 (5.2)	1.5 (5.5)	1.9 (7.1)	2.3 (8.5)	2.8 (10.6)	4.6 (17.3)			
	PSIG (kPa)	0.3 (2.3)	0.4 (2.6)	0.6 (4.1)	0.8 (5.7)	1.2 (8.4)	2.8 (19.5)			
KXSA021L6 Compressor: EAVB-021E	BTU/H (Watts)	4270 (1250)	6330 (1860)	8810 (2580)	10200 (2990)	11800 (3460)	15400 (4510)			
	GPM (L/min)	0.8 (3.2)	1.2 (4.6)	1.9 (7)	2.3 (8.8)	2.9 (11)	4.5 (17)			
	PSIG (kPa)	0.4 (2.8)	0.5 (3.5)	0.8 (5.3)	1.0 (7)	1.4 (9.6)	2.8 (19.4)			
KXSA030L6 Compressor: LAHA-032E	BTU/H (Watts)	5660 (1660)	9130 (2680)	13600 (3990)	16100 (4720)	18900 (5540)	25100 (7360)			
	GPM (L/min)	1.2 (4.7)	1.7 (6.4)	3.1 (11.7)	4.3 (16.2)	5.8 (22.1)	10.4 (39.2)			
	PSIG (kPa)	0.4 (3)	0.7 (4.6)	1.6 (10.8)	2.6 (17.6)	4.2 (29)	10.9 (75.3)			
KXSA031L6 Compressor: NRD1-032E	BTU/H (Watts)	7640 (2240)	12000 (3520)	16600 (4860)	19200 (5630)	22000 (6450)	28800 (8440)			
	GPM (L/min)	4.2 (16)	3.1 (11.8)	3.5 (13.2)	4.3 (16.1)	5.5 (20.9)	10.2 (38.5)			
	PSIG (kPa)	1.6 (11.2)	0.9 (6.2)	1.1 (7.8)	1.6 (11.4)	2.6 (18)	7.3 (50.6)			
KXSA032L6 Compressor: LACA-032E	BTU/H (Watts)	8130 (2380)	12200 (3580)	17200 (5040)	-	-	-	-		
	GPM (L/min)	1.6 (5.9)	2.8 (10.5)	5.3 (20.1)	-	-	-	-		
	PSIG (kPa)	0.6 (4.1)	1.3 (9.3)	3.6 (24.7)	-	-	-	-		

CAPACITY DATA - R22 HIGH TEMPERATURE

Capacity Rating Conditions: 85°F (29.4°C) Entering Water, 105°F (40.6°C) Condensing, 0°F (0°C) Subcooling

MODEL KXSA	SATURATED SUCTION TEMPERATURE °F (°C)								
		0 (-17.8)	10 (-12.2)	20 (-6.7)	25 (-3.9)	30 (-1.1)	35 (1.7)	40 (4.4)	
KXSA005H2 Compressor: HAG2-0050	BTU/H (Watts)	2200 (640)	2890 (850)	3770 (1100)	4270 (1250)	4830 (1420)	6100 (1790)	6820 (2000)	
	GPM (L/min)	0.7 (2.6)	0.8 (3)	1.0 (3.9)	1.3 (4.7)	1.5 (5.8)	2.4 (9)	3.0 (11.3)	
	PSIG (kPa)	0.4 (2.5)	0.4 (2.7)	0.5 (3.6)	0.7 (4.6)	0.9 (6.4)	2.1 (14.6)	3.4 (23.1)	
KXSA008H2 Compressor: KAN2-0075	BTU/H (Watts)	3620 (1060)	4800 (1410)	6250 (1830)	7080 (2070)	7990 (2340)	10000 (2930)	11200 (3280)	
	GPM (L/min)	0.7 (2.7)	1.0 (3.7)	1.4 (5.4)	1.7 (6.5)	2.1 (8)	3.1 (11.8)	3.8 (14.3)	
	PSIG (kPa)	0.4 (2.6)	0.6 (4.2)	1.1 (7.5)	1.5 (10.3)	2.1 (14.2)	4.0 (27.4)	5.5 (37.9)	
KXSA010H2 Compressor: KAR2-0100	BTU/H (Watts)	5190 (1520)	6820 (2000)	8810 (2580)	9950 (2920)	11200 (3280)	13900 (4070)	15400 (4510)	
	GPM (L/min)	1.2 (4.5)	1.4 (5.3)	1.8 (7)	2.2 (8.3)	2.6 (9.9)	3.8 (14.5)	4.6 (17.4)	
	PSIG (kPa)	1.0 (7.2)	1.4 (9.4)	2.1 (14.5)	2.8 (19)	3.7 (25.4)	6.8 (47.2)	9.4 (64.8)	
KXSA015H2 Compressor: KAGB-0150	BTU/H (Watts)	6260 (1830)	8140 (2390)	10600 (3110)	12100 (3550)	13700 (4020)	17200 (5040)	19100 (5600)	
	GPM (L/min)	1.4 (5.5)	1.7 (6.4)	2.2 (8.4)	2.6 (10)	3.2 (12)	4.7 (17.6)	5.6 (21.4)	
	PSIG (kPa)	0.4 (2.6)	0.5 (3.4)	0.8 (5.6)	1.1 (7.5)	1.5 (10.4)	2.9 (20.3)	4.1 (28.5)	
KXSA020H2 Compressor: KAKB-0200	BTU/H (Watts)	8590 (2520)	11600 (3400)	15000 (4400)	16800 (4920)	18800 (5510)	23400 (6860)	25900 (7590)	
	GPM (L/min)	1.3 (5.1)	2.1 (8)	3.2 (12.2)	3.9 (14.9)	4.8 (18.2)	7.0 (26.6)	8.5 (32.2)	
	PSIG (kPa)	0.6 (3.8)	0.9 (6.2)	1.6 (11.3)	2.3 (15.6)	3.2 (21.8)	6.3 (43.3)	8.9 (61.5)	
KXSA030H2 Compressor: ERF1-0310	BTU/H (Watts)	-	19300 (5660)	24900 (7300)	28200 (8260)	31700 (9290)	39500 (11580)	43900 (12870)	
	GPM (L/min)	-	3.3 (12.5)	4.8 (18.3)	6.3 (23.7)	8.2 (31.2)	14.2 (53.8)	18.4 (69.8)	
	PSIG (kPa)	-	1.0 (7.1)	2.1 (14.3)	3.2 (22.3)	5.1 (35.4)	13.0 (89.5)	20.4 (141)	
KXSA040H2 Compressor: NRB2-0400	BTU/H (Watts)	-	25500 (7470)	34200 (10020)	39100 (11460)	44300 (12980)	56200 (16470)	62900 (18430)	
	GPM (L/min)	-	4.7 (17.8)	6.7 (25.3)	8.2 (31.1)	10.2 (38.5)	15.7 (59.5)	19.5 (73.9)	
	PSIG (kPa)	-	1.0 (6.8)	1.8 (12.3)	2.5 (17.6)	3.7 (25.5)	8.1 (55.6)	12.0 (82.4)	

CAPACITY DATA - R22 MEDIUM TEMPERATURE

Capacity Rating Conditions: 85°F (29.4°C) Entering Water, 105°F (40.6°C) Condensing, 0°F (0°C) Subcooling

MODEL KXSA	SATURATED SUCTION TEMPERATURE °F (°C)									
		-5 (-20.6)	0 (-17.8)	5 (-15)	10 (-12.2)	15 (-9.4)	20 (-6.7)	25 (-3.9)	30 (-1.1)	
KXSA005M2 Compressor: HAJ1-0050	BTU/H (Watts)	2170 (640)	2520 (740)	2900 (850)	3310 (970)	3760 (1100)	4260 (1250)	4800 (1410)	-	-
	GPM (L/min)	0.5 (2)	0.6 (2.1)	0.6 (2.2)	0.6 (2.4)	0.7 (2.7)	0.8 (3)	0.9 (3.4)	-	-
	PSIG (kPa)	0.2 (1.7)	0.3 (1.8)	0.3 (1.9)	0.3 (2.2)	0.4 (2.5)	0.4 (3.1)	0.6 (3.8)	-	-
KXSA008M2 Compressor: KAE2-0075	BTU/H (Watts)	3610 (1060)	4170 (1220)	4780 (1400)	5430 (1590)	6150 (1800)	6960 (2040)	7870 (2310)	-	-
	GPM (L/min)	1.1 (4.3)	1.1 (4.3)	1.1 (4.3)	1.2 (4.5)	1.3 (4.8)	1.4 (5.2)	1.6 (5.9)	-	-
	PSIG (kPa)	1.0 (6.7)	1.0 (6.6)	1.0 (6.8)	1.1 (7.3)	1.2 (8)	1.3 (9.2)	1.6 (11)	-	-
KXSA010M2 Compressor: KAM2-0100	BTU/H (Watts)	-	5610 (1640)	6560 (1920)	7590 (2220)	8700 (2550)	9900 (2900)	11200 (3280)	12600 (3690)	
	GPM (L/min)	-	1.2 (4.6)	1.3 (5)	1.5 (5.7)	1.7 (6.6)	2.1 (7.8)	2.5 (9.4)	3.0 (11.4)	
	PSIG (kPa)	-	1.1 (7.4)	1.2 (8.5)	1.5 (10.4)	1.9 (13.2)	2.5 (17.4)	3.4 (23.4)	4.6 (32)	
KXSA021M2 Compressor: ERC1-0200	BTU/H (Watts)	8010 (2350)	9330 (2730)	10800 (3170)	12600 (3690)	14500 (4250)	16600 (4860)	19000 (5570)	-	-
	GPM (L/min)	1.3 (4.9)	1.4 (5.4)	1.7 (6.3)	2.0 (7.5)	2.5 (9.4)	3.1 (11.9)	4.0 (15.3)	-	-
	PSIG (kPa)	0.5 (3.2)	0.5 (3.6)	0.6 (4.5)	0.8 (5.8)	1.1 (7.9)	1.6 (11.1)	2.3 (16.2)	-	-
KXSA030M2 Compressor: 3RA1-0310	BTU/H (Watts)	-	-	20100 (5890)	23000 (6740)	26000 (7620)	29300 (8590)	32900 (9640)	-	-
	GPM (L/min)	-	-	7.0 (26.4)	6.6 (25.1)	6.6 (25)	6.9 (26.1)	7.6 (28.8)	-	-
	PSIG (kPa)	-	-	2.7 (18.4)	2.5 (17.1)	2.5 (17)	2.6 (18.1)	3.1 (21.1)	-	-
KXSA050M2 Compressor: NRM1-0500	BTU/H (Watts)	-	-	33800 (9910)	38300 (11220)	43400 (12720)	48900 (14330)	55000 (16120)	-	-
	GPM (L/min)	-	-	8.0 (30.2)	8.5 (32.4)	9.4 (35.4)	10.5 (39.6)	11.9 (45.2)	-	-
	PSIG (kPa)	-	-	1.7 (11.4)	1.7 (12)	1.9 (12.9)	2.1 (14.4)	2.4 (16.9)	-	-

CAPACITY DATA - R407A

HIGH / MEDIUM TEMPERATURE

Capacity Rating Conditions: 85°F (29.4°C) Entering Water, 105°F (40.6°C) Condensing, 0°F (0°C) Subcooling

MODEL KXZA	SATURATED SUCTION TEMPERATURE °F (°C)									
	-10 (-23.3)	0 (-17.8)	10 (-12.2)	20 (-6.7)	25 (-3.9)	30 (-1.1)	35 (1.7)	40 (4.4)		
KXZA010H8 Compressor: ZS09KAE	BTU/H (Watts)	5340 (1560)	6720 (1970)	8340 (2440)	10300 (3020)	11400 (3340)	12700 (3720)	14100 (4130)	15600 (4570)	
	GPM (L/min)	2.6 (9.8)	2.8 (10.4)	2.4 (9.2)	2.4 (8.9)	2.4 (9.2)	2.7 (10.1)	3.0 (11.5)	3.6 (13.7)	
	PSIG (kPa)	1.5 (10.5)	1.6 (10.8)	1.5 (10.2)	1.5 (10.1)	1.5 (10.2)	1.5 (10.6)	1.6 (11.3)	1.8 (12.3)	
KXZA011H8 Compressor: ZS11KAE	BTU/H (Watts)	6370 (1870)	8030 (2350)	9960 (2920)	12300 (3600)	13600 (3990)	15100 (4430)	16800 (4920)	18600 (5450)	
	GPM (L/min)	2.2 (8.3)	2.4 (9.1)	2.4 (9)	2.7 (10.3)	3.1 (11.7)	3.7 (14)	4.6 (17.3)	5.8 (21.8)	
	PSIG (kPa)	1.4 (9.8)	1.5 (10.2)	1.5 (10.1)	1.6 (10.7)	1.6 (11.4)	1.8 (12.4)	2.0 (13.9)	2.3 (15.9)	
KXZA015H8 Compressor: ZS13KAE	BTU/H (Watts)	7280 (2130)	9170 (2690)	11400 (3340)	14000 (4100)	15600 (4570)	17300 (5070)	19200 (5630)	21300 (6240)	
	GPM (L/min)	2.2 (8.3)	2.6 (9.8)	2.4 (9.2)	2.7 (10.1)	3.0 (11.3)	3.5 (13.3)	4.3 (16.3)	5.4 (20.5)	
	PSIG (kPa)	1.0 (6.6)	1.2 (8.2)	1.1 (7.5)	1.2 (8.5)	1.5 (10.1)	1.9 (13)	2.6 (18.1)	3.9 (26.9)	
KXZA020H8 Compressor: ZB15KCE	BTU/H (Watts)	7640 (2240)	10100 (2960)	12900 (3780)	16200 (4750)	18100 (5300)	20200 (5920)	22500 (6590)	25100 (7360)	
	GPM (L/min)	2.8 (10.6)	3.0 (11.4)	3.1 (11.7)	3.4 (12.8)	3.8 (14.3)	4.4 (16.6)	5.3 (20.1)	6.6 (25.1)	
	PSIG (kPa)	1.4 (9.4)	1.5 (10.4)	1.6 (10.9)	1.8 (12.4)	2.1 (14.6)	2.7 (18.5)	3.6 (24.8)	5.2 (35.6)	
KXZA025H8 Compressor: ZB19KCE	BTU/H (Watts)	8940 (2620)	11900 (3490)	15300 (4480)	19400 (5690)	21700 (6360)	24200 (7090)	26800 (7850)	29700 (8700)	
	GPM (L/min)	2.8 (10.6)	3.0 (11.4)	3.1 (11.7)	3.2 (12.1)	3.3 (12.5)	3.4 (13)	3.8 (14.4)	4.6 (17.3)	
	PSIG (kPa)	0.7 (5)	0.8 (5.8)	0.9 (6.2)	1.0 (6.6)	1.0 (7.1)	1.1 (7.5)	1.3 (9.3)	1.9 (12.9)	
KXZA030H8 Compressor: ZB21KCE	BTU/H (Watts)	11300 (3310)	14900 (4370)	19300 (5660)	24500 (7180)	27400 (8030)	30500 (8940)	33900 (9940)	37500 (10990)	
	GPM (L/min)	2.9 (11)	3.1 (11.7)	3.3 (12.6)	3.7 (14.2)	4.5 (17)	5.7 (21.5)	7.4 (28.1)	9.8 (37)	
	PSIG (kPa)	0.8 (5.4)	0.9 (6.2)	1.0 (7.1)	1.3 (9)	1.8 (12.5)	2.7 (18.9)	4.3 (29.8)	6.9 (47.3)	
KXZA035H8 Compressor: ZB26KCE	BTU/H (Watts)	12900 (3780)	17100 (5010)	21800 (6390)	27300 (8000)	30500 (8940)	34000 (9960)	37900 (11110)	42200 (12370)	
	GPM (L/min)	3.0 (11.4)	3.4 (12.8)	3.5 (13.2)	4.9 (18.4)	6.3 (23.7)	8.3 (31.3)	11.1 (42.1)	15.0 (56.6)	
	PSIG (kPa)	0.8 (5.8)	1.1 (7.3)	1.1 (7.9)	2.1 (14.4)	3.2 (22.2)	5.2 (35.7)	8.5 (58.8)	14.2 (98)	
KXZA040H8 Compressor: ZB30KCE	BTU/H (Watts)	16000 (4690)	21000 (6150)	27200 (7970)	34400 (10080)	38400 (11250)	42800 (12540)	47400 (13890)	52300 (15330)	
	GPM (L/min)	6.6 (25)	7.0 (26.5)	7.4 (28)	7.7 (29.1)	8.7 (33.1)	10.7 (40.4)	13.5 (51.2)	17.5 (66.2)	
	PSIG (kPa)	2.5 (17)	2.7 (18.5)	2.9 (20.1)	3.1 (21.3)	3.8 (26.4)	5.4 (37.2)	8.3 (57.4)	13.6 (93.6)	
KXZA050H8 Compressor: ZB38KCE	BTU/H (Watts)	19600 (5740)	25800 (7560)	33300 (9760)	42200 (12370)	47200 (13830)	52500 (15390)	58200 (17060)	64200 (18820)	
	GPM (L/min)	5.0 (18.9)	5.4 (20.6)	6.1 (23)	8.4 (31.8)	10.4 (39.5)	13.2 (49.9)	16.8 (63.5)	21.3 (80.5)	
	PSIG (kPa)	2.7 (18.5)	2.8 (19.4)	3.0 (20.8)	3.8 (26.2)	4.6 (31.6)	5.8 (39.8)	7.6 (52.4)	10.3 (70.9)	
KXZA060H8 Compressor: ZB45KCE	BTU/H (Watts)	22500 (6590)	29500 (8650)	38100 (11170)	48300 (14160)	54100 (15860)	60200 (17640)	66700 (19550)	---	---
	GPM (L/min)	4.2 (15.9)	5.1 (19.3)	7.7 (29.2)	12.9 (48.8)	16.3 (61.9)	20.3 (77)	25.0 (94.7)	---	---
	PSIG (kPa)	0.3 (1.7)	0.5 (3.6)	1.5 (10.1)	3.9 (26.7)	5.9 (40.7)	8.7 (59.7)	12.5 (85.9)	---	---

NOTES:

- Above ratings are based on mean temperature.
- To convert to dew point ratings, use 0.95 multiplier.

CAPACITY DATA - R407A

LOW TEMPERATURE

Capacity Rating Conditions: 85°F (29.4°C) Entering Water, 105°F (40.6°C) Condensing, 0°F (0°C) Subcooling

MODEL KXZA	SATURATED SUCTION TEMPERATURE °F (°C)									
	-40 (-40)	-35 (-37.2)	-30 (-34.4)	-25 (-31.7)	-20 (-28.9)	-15 (-26.1)	-10 (-23.3)	-5 (-20.6)		
KXZA020L8 Compressor: ZF06K4E	BTU/H (Watts)	3950 (1160)	4570 (1340)	5270 (1540)	6040 (1770)	6890 (2020)	7820 (2290)	8830 (2590)	9930 (2910)	
	GPM (L/min)	2.6 (9.8)	2.8 (10.6)	2.6 (9.9)	2.5 (9.5)	2.5 (9.5)	2.6 (9.9)	2.9 (11)	3.4 (12.9)	
	PSIG (kPa)	1.1 (7.4)	1.2 (8.4)	1.1 (7.5)	1.0 (6.9)	1.0 (6.9)	1.1 (7.5)	1.3 (9)	1.7 (11.7)	
KXZA025L8 Compressor: ZF08K4E	BTU/H (Watts)	4870 (1430)	5650 (1660)	6510 (1910)	7460 (2190)	8510 (2490)	9660 (2830)	10900 (3190)	12300 (3600)	
	GPM (L/min)	2.2 (8.3)	2.4 (9.1)	2.6 (9.8)	2.7 (10.2)	2.8 (10.7)	3.0 (11.3)	3.3 (12.6)	3.9 (14.9)	
	PSIG (kPa)	1.0 (6.6)	1.1 (7.4)	1.2 (8.2)	1.3 (8.7)	1.3 (9.3)	1.5 (10.1)	1.7 (12)	2.3 (15.6)	
KXZA030L8 Compressor: ZF09K4E	BTU/H (Watts)	5500 (1610)	6290 (1840)	7250 (2120)	8360 (2450)	9580 (2810)	10900 (3190)	12200 (3580)	13600 (3990)	
	GPM (L/min)	2.3 (8.7)	2.4 (9.1)	2.7 (10.2)	2.8 (10.7)	3.0 (11.3)	3.4 (12.7)	3.9 (14.7)	4.6 (17.5)	
	PSIG (kPa)	1.0 (7)	1.1 (7.4)	1.3 (8.7)	1.3 (9.3)	1.5 (10.1)	1.8 (12.1)	2.2 (15.2)	3.0 (20.4)	
KXZA035L8 Compressor: ZF11K4E	BTU/H (Watts)	6830 (2000)	7790 (2280)	9000 (2640)	10400 (3050)	11900 (3490)	13600 (3990)	15300 (4480)	17000 (4980)	
	GPM (L/min)	2.8 (10.6)	3.0 (11.4)	3.1 (11.8)	3.3 (12.5)	3.7 (14.1)	4.4 (16.7)	5.4 (20.4)	6.6 (25)	
	PSIG (kPa)	1.4 (9.4)	1.5 (10.4)	1.6 (11)	1.7 (12)	2.1 (14.2)	2.7 (18.6)	3.7 (25.4)	5.1 (35.2)	
KXZA045L8 Compressor: ZF13K4E	BTU/H (Watts)	7830 (2290)	8820 (2580)	10100 (2960)	11600 (3400)	13400 (3930)	15300 (4480)	17500 (5130)	19700 (5770)	
	GPM (L/min)	3.1 (11.8)	3.2 (12.1)	3.4 (13)	3.9 (14.8)	4.8 (18.1)	6.0 (22.8)	7.9 (29.8)	10.2 (38.5)	
	PSIG (kPa)	1.6 (11)	1.6 (11.3)	1.8 (12.6)	2.2 (15.5)	3.1 (21.1)	4.4 (30.5)	6.9 (47.3)	10.6 (72.9)	
KXZA055L8 Compressor: ZF15K4E	BTU/H (Watts)	9890 (2900)	11100 (3250)	12600 (3690)	14500 (4250)	16500 (4840)	18900 (5540)	21500 (6300)	24300 (7120)	
	GPM (L/min)	3.0 (11.4)	3.3 (12.5)	3.5 (13.2)	3.5 (13.4)	4.0 (15)	4.9 (18.7)	6.6 (24.8)	8.9 (33.6)	
	PSIG (kPa)	0.8 (5.8)	1.0 (7)	1.1 (7.9)	1.2 (8)	1.4 (10)	2.2 (14.8)	3.5 (24.1)	5.8 (40.2)	
KXZA060L8 Compressor: ZF18K4E	BTU/H (Watts)	12000 (3520)	13500 (3960)	15300 (4480)	17500 (5130)	20100 (5890)	22800 (6680)	25900 (7590)	---	---
	GPM (L/min)	3.5 (13.1)	3.6 (13.6)	4.0 (15.3)	5.0 (19)	6.8 (25.7)	9.3 (35.1)	12.9 (48.8)	---	---
	PSIG (kPa)	1.1 (7.7)	1.2 (8.2)	1.5 (10.3)	2.2 (15.2)	3.7 (25.5)	6.3 (43.4)	11.0 (75.9)	---	---

NOTES:

- Above ratings are based on mean temperature.
- To convert to dew point ratings, use 0.95 multiplier.

CAPACITY DATA - **R448A**

HIGH / MEDIUM TEMPERATURE

Capacity Rating Conditions: 85°F (29.4°C) Entering Water, 105°F (40.6°C) Condensing, 0°F (0°C) Subcooling

MODEL KXZA	SATURATED SUCTION TEMPERATURE °F (°C)									
	-10 (-23.3)	0 (-17.8)	10 (-12.2)	20 (-6.7)	25 (-3.9)	30 (-1.1)	35 (1.7)	40 (4.4)		
KXZA010H8 Compressor: ZS09KAE	BTU/H (Watts)	5040 (1480)	6290 (1840)	7860 (2300)	9840 (2880)	11000 (3220)	12300 (3600)	13700 (4020)	15300 (4480)	
	GPM (L/min)	2.6 (9.8)	2.8 (10.6)	2.5 (9.3)	2.4 (8.9)	2.4 (9.2)	2.6 (10)	3.0 (11.4)	3.6 (13.7)	
	PSIG (kPa)	1.5 (10.5)	1.6 (10.8)	1.5 (10.3)	1.5 (10)	1.5 (10.2)	1.5 (10.5)	1.6 (11.2)	1.8 (12.3)	
KXZA011H8 Compressor: ZS11KAE	BTU/H (Watts)	6050 (1770)	7550 (2210)	9440 (2770)	11800 (3460)	13200 (3870)	14800 (4340)	16500 (4840)	18400 (5390)	
	GPM (L/min)	2.2 (8.3)	2.5 (9.3)	2.4 (8.9)	2.6 (9.9)	3.0 (11.3)	3.6 (13.6)	4.5 (16.9)	5.7 (21.6)	
	PSIG (kPa)	1.4 (9.8)	1.5 (10.2)	1.5 (10.1)	1.5 (10.5)	1.6 (11.2)	1.8 (12.2)	2.0 (13.7)	2.3 (15.8)	
KXZA015H8 Compressor: ZS13KAE	BTU/H (Watts)	6980 (2050)	8690 (2550)	10700 (3140)	13300 (3900)	14800 (4340)	16600 (4860)	18600 (5450)	20900 (6130)	
	GPM (L/min)	2.2 (8.3)	2.6 (10)	2.4 (9.3)	2.6 (9.8)	2.8 (10.8)	3.3 (12.6)	4.1 (15.5)	5.3 (19.9)	
	PSIG (kPa)	1.0 (6.6)	1.2 (8.4)	1.1 (7.6)	1.2 (8.1)	1.4 (9.4)	1.7 (11.9)	2.4 (16.7)	3.7 (25.6)	
KXZA020H8 Compressor: ZB15KCE	BTU/H (Watts)	7620 (2230)	9410 (2760)	12100 (3550)	15600 (4570)	17700 (5190)	20000 (5860)	22500 (6590)	25200 (7390)	
	GPM (L/min)	2.8 (10.6)	3.0 (11.4)	3.1 (11.7)	3.3 (12.5)	3.7 (13.9)	4.3 (16.3)	5.3 (20)	6.6 (25.1)	
	PSIG (kPa)	1.4 (9.4)	1.5 (10.4)	1.6 (10.9)	1.7 (11.9)	2.0 (14)	2.6 (17.9)	3.6 (24.6)	5.2 (35.6)	
KXZA025H8 Compressor: ZB19KCE	BTU/H (Watts)	10200 (2990)	12200 (3580)	15300 (4480)	19500 (5710)	22100 (6480)	24800 (7270)	27900 (8180)	31100 (9110)	
	GPM (L/min)	2.8 (10.6)	3.0 (11.4)	3.1 (11.7)	3.2 (12.1)	3.3 (12.6)	3.5 (13.4)	4.2 (15.8)	5.3 (19.9)	
	PSIG (kPa)	0.7 (5)	0.8 (5.8)	0.9 (6.2)	1.0 (6.6)	1.0 (7.1)	1.2 (8.1)	1.6 (11)	2.4 (16.5)	
KXZA030H8 Compressor: ZB21KCE	BTU/H (Watts)	12300 (3600)	14600 (4280)	18400 (5390)	23500 (6890)	26500 (7770)	29800 (8730)	33500 (9820)	37400 (10960)	
	GPM (L/min)	2.9 (11)	3.1 (11.7)	3.3 (12.7)	3.6 (13.6)	4.2 (16)	5.4 (20.4)	7.2 (27.3)	9.8 (37)	
	PSIG (kPa)	0.8 (5.4)	0.9 (6.2)	1.0 (7.2)	1.2 (8.3)	1.6 (11.3)	2.5 (17.2)	4.1 (28.3)	6.9 (47.3)	
KXZA035H8 Compressor: ZB26KCE	BTU/H (Watts)	14300 (4190)	17000 (4980)	21400 (6270)	27400 (8030)	30900 (9060)	34800 (10200)	39000 (11430)	43600 (12780)	
	GPM (L/min)	3.0 (11.4)	3.3 (12.6)	3.5 (13.4)	5.1 (19.3)	6.7 (25.3)	9.1 (34.3)	12.4 (46.8)	16.8 (63.7)	
	PSIG (kPa)	0.8 (5.8)	1.0 (7.1)	1.2 (8.1)	2.3 (15.6)	3.6 (24.9)	6.0 (41.7)	10.2 (70.6)	17.4 (120.2)	
KXZA040H8 Compressor: ZB30KCE	BTU/H (Watts)	15300 (4480)	20600 (6040)	26500 (7770)	33200 (9730)	37100 (10870)	41200 (12070)	45700 (13390)	50600 (14830)	
	GPM (L/min)	6.6 (25)	7.0 (26.5)	7.5 (28.3)	7.5 (28.3)	8.3 (31.5)	9.9 (37.4)	12.4 (46.8)	16.0 (60.6)	
	PSIG (kPa)	2.5 (17)	2.7 (18.5)	3.0 (20.5)	3.0 (20.5)	3.5 (24.3)	4.7 (32.5)	7.0 (48.6)	11.4 (78.9)	
KXZA050H8 Compressor: ZB38KCE	BTU/H (Watts)	19100 (5600)	25700 (7530)	33000 (9670)	41500 (12160)	46300 (13570)	51400 (15060)	57100 (16730)	63200 (18520)	
	GPM (L/min)	5.0 (18.9)	5.5 (20.6)	6.1 (23.2)	8.3 (31.5)	10.2 (38.7)	12.8 (48.4)	16.3 (61.7)	20.8 (78.8)	
	PSIG (kPa)	2.7 (18.5)	2.8 (19.4)	3.0 (20.8)	3.8 (25.9)	4.5 (31)	5.6 (38.6)	7.3 (50.7)	10.0 (68.9)	
KXZA060H8 Compressor: ZB45KCE	BTU/H (Watts)	22600 (6620)	30500 (8940)	39200 (11490)	49300 (14450)	54900 (16090)	61100 (17910)	67800 (19870)	---	---
	GPM (L/min)	4.2 (15.9)	5.1 (19.3)	8.4 (31.8)	13.7 (51.8)	17.1 (64.6)	21.2 (80.3)	26.1 (98.9)	---	---
	PSIG (kPa)	0.3 (1.7)	0.5 (3.6)	1.7 (12)	4.3 (29.7)	6.4 (43.9)	9.3 (64.3)	13.5 (92.8)	---	---

NOTES:

- Above ratings are based on mean temperature.
- To convert to dew point ratings, use 0.95 multiplier.

For R449A, use R448A data.

LOW TEMPERATURE

Capacity Rating Conditions: 85°F (29.4°C) Entering Water, 105°F (40.6°C) Condensing, 0°F (0°C) Subcooling

MODEL KXZA	SATURATED SUCTION TEMPERATURE °F (°C)											
		-40 (-40)	-35 (-37.2)	-30 (-34.4)	-25 (-31.7)	-20 (-28.9)	-15 (-26.1)	-10 (-23.3)	-5 (-20.6)			
KXZA020L8 Compressor: ZF06K4E	BTU/H (Watts)	4040 (1180)	4700 (1380)	5420 (1590)	6190 (1810)	7030 (2060)	7950 (2330)	8950 (2620)	10000 (2930)			
	GPM (L/min)	2.6 (9.8)	2.8 (10.7)	2.6 (10)	2.5 (9.5)	2.5 (9.4)	2.6 (9.9)	2.9 (10.9)	3.4 (12.8)			
	PSIG (kPa)	1.1 (7.4)	1.2 (8.5)	1.1 (7.6)	1.0 (7)	1.0 (6.9)	1.1 (7.4)	1.3 (8.8)	1.7 (11.6)			
KXZA025L8 Compressor: ZF08K4E	BTU/H (Watts)	5190 (1520)	5990 (1760)	6860 (2010)	7830 (2290)	8900 (2610)	10100 (2960)	11400 (3340)	12800 (3750)			
	GPM (L/min)	2.2 (8.3)	2.4 (9.1)	2.6 (9.8)	2.7 (10.2)	2.8 (10.7)	3.0 (11.5)	3.4 (13)	4.1 (15.6)			
	PSIG (kPa)	1.0 (6.6)	1.1 (7.4)	1.2 (8.2)	1.3 (8.7)	1.4 (9.3)	1.5 (10.3)	1.8 (12.6)	2.4 (16.8)			
KXZA030L8 Compressor: ZF09K4E	BTU/H (Watts)	5850 (1710)	6720 (1970)	7680 (2250)	8740 (2560)	9900 (2900)	11200 (3280)	12600 (3690)	14100 (4130)			
	GPM (L/min)	2.3 (8.7)	2.4 (9.1)	2.7 (10.2)	2.9 (10.8)	3.1 (11.6)	3.4 (13)	4.1 (15.4)	5.0 (18.8)			
	PSIG (kPa)	1.0 (7)	1.1 (7.4)	1.3 (8.7)	1.4 (9.4)	1.5 (10.4)	1.8 (12.5)	2.4 (16.5)	3.4 (23.2)			
KXZA035L8 Compressor: ZF11K4E	BTU/H (Watts)	7280 (2130)	8350 (2450)	9540 (2800)	10900 (3190)	12300 (3600)	13900 (4070)	15700 (4600)	17700 (5190)			
	GPM (L/min)	2.8 (10.6)	3.0 (11.4)	3.1 (11.9)	3.3 (12.7)	3.7 (14.1)	4.4 (16.7)	5.4 (20.6)	7.0 (26.4)			
	PSIG (kPa)	1.4 (9.4)	1.5 (10.4)	1.6 (11.1)	1.8 (12.2)	2.1 (14.4)	2.7 (18.5)	3.7 (25.8)	5.6 (38.5)			
KXZA045L8 Compressor: ZF13K4E	BTU/H (Watts)	8340 (2440)	9530 (2790)	10900 (3190)	12500 (3660)	14300 (4190)	16300 (4780)	18400 (5390)	20800 (6100)			
	GPM (L/min)	3.5 (13.3)	3.8 (14.4)	4.3 (16.2)	5.0 (19)	6.1 (23)	7.6 (28.8)	9.6 (36.2)	12.3 (46.6)			
	PSIG (kPa)	1.9 (13.1)	2.1 (14.8)	2.6 (17.7)	3.3 (22.6)	4.5 (30.9)	6.5 (44.5)	9.5 (65.6)	14.7 (101.6)			
KXZA055L8 Compressor: ZF15K4E	BTU/H (Watts)	10500 (3080)	12000 (3520)	13700 (4020)	15600 (4570)	17700 (5190)	20100 (5890)	22700 (6650)	25600 (7500)			
	GPM (L/min)	3.0 (11.4)	3.3 (12.5)	3.7 (13.9)	4.1 (15.6)	5.0 (18.7)	6.3 (23.9)	8.3 (31.4)	11.1 (42.2)			
	PSIG (kPa)	0.8 (5.8)	1.0 (7)	1.3 (8.6)	1.6 (10.8)	2.2 (14.9)	3.3 (22.6)	5.2 (35.8)	8.6 (59.1)			
KXZA060L8 Compressor: ZF18K4E	BTU/H (Watts)	12800 (3750)	14600 (4280)	16700 (4890)	18900 (5540)	21500 (6300)	24300 (7120)	27300 (8000)	---	---		
	GPM (L/min)	4.1 (15.7)	4.7 (17.9)	5.7 (21.6)	7.1 (26.8)	9.2 (34.9)	12.1 (45.9)	16.0 (60.6)	---	---		
	PSIG (kPa)	1.6 (10.8)	2.0 (13.7)	2.8 (19)	4.0 (27.4)	6.2 (42.8)	9.9 (68.4)	16.0 (110.3)	---	---		

NOTES:

- Above ratings are based on mean temperature.
 - To convert to dew point ratings, use 0.95 multiplier.
- For R449A, use R448A data.

CAPACITY DATA - **R407C** HIGH / MEDIUM TEMPERATURE

Capacity Rating Conditions: 85°F (29.4°C) Entering Water, 105°F (40.6°C) Condensing, 0°F (0°C) Subcooling

MODEL KXZA	SATURATED SUCTION TEMPERATURE °F (°C)								
		10 (-12.2)	15 (-9.4)	20 (-6.7)	25 (-3.9)	30 (-1.1)	35 (1.7)	40 (4.4)	
KXZA010H8 Compressor: ZS09KAE	BTU/H (Watts)	7620 (2230)	8630 (2530)	9690 (2840)	10800 (3170)	12000 (3520)	13300 (3900)	14700 (4310)	
	GPM (L/min)	2.2 (8.4)	2.7 (10.1)	3.1 (11.9)	3.7 (14)	4.3 (16.3)	5.0 (19.1)	5.8 (22.1)	
	PSIG (kPa)	0.8 (5.7)	1.1 (7.7)	1.5 (10.2)	2.0 (13.5)	2.6 (17.7)	3.4 (23.4)	4.4 (30.5)	
KXZA011H8 Compressor: ZS11KAE	BTU/H (Watts)	9100 (2670)	10300 (3020)	11600 (3400)	12900 (3780)	14400 (4220)	15900 (4660)	17500 (5130)	
	GPM (L/min)	3.1 (11.8)	3.7 (14)	4.4 (16.6)	5.2 (19.6)	6.1 (23)	7.1 (26.7)	8.2 (31)	
	PSIG (kPa)	1.4 (10)	2.0 (13.6)	2.6 (18.2)	3.6 (24.5)	4.7 (32.7)	6.3 (43.2)	8.3 (57)	
KXZA015H8 Compressor: ZS13KAE	BTU/H (Watts)	10400 (3050)	11800 (3460)	13200 (3870)	14800 (4340)	16400 (4810)	18100 (5300)	20000 (5860)	
	GPM (L/min)	3.2 (12.3)	3.9 (14.8)	4.7 (17.8)	5.6 (21.3)	6.7 (25.2)	7.9 (29.7)	9.2 (34.8)	
	PSIG (kPa)	1.6 (11.4)	2.3 (15.6)	3.1 (21.3)	4.2 (29.2)	5.7 (39.2)	7.7 (52.8)	10.2 (70.3)	
KXZA020H8 Compressor: ZB15KCE	BTU/H (Watts)	11700 (3430)	13200 (3870)	14800 (4340)	16600 (4860)	18400 (5390)	20500 (6010)	22700 (6650)	
	GPM (L/min)	3.1 (11.6)	3.8 (14.2)	4.6 (17.4)	5.6 (21.2)	6.8 (25.6)	8.2 (30.9)	9.8 (37.2)	
	PSIG (kPa)	1.6 (10.8)	2.1 (14.6)	2.9 (19.7)	3.9 (26.9)	5.3 (36.7)	7.3 (50.2)	10.0 (68.8)	
KXZA025H8 Compressor: ZB19KCE	BTU/H (Watts)	12900 (3780)	14700 (4310)	16700 (4890)	18900 (5540)	21200 (6210)	23800 (6980)	26700 (7820)	
	GPM (L/min)	1.3 (4.9)	2.0 (7.5)	2.8 (10.7)	3.9 (14.8)	5.2 (19.9)	6.9 (26)	8.9 (33.5)	
	PSIG (kPa)	0.3 (2)	0.5 (3.3)	0.8 (5.3)	1.2 (8.4)	1.9 (13)	2.9 (19.7)	4.3 (29.8)	
KXZA030H8 Compressor: ZB21KCE	BTU/H (Watts)	17400 (5100)	19600 (5740)	22100 (6480)	24700 (7240)	27600 (8090)	30800 (9030)	34200 (10020)	
	GPM (L/min)	4.1 (15.7)	5.4 (20.5)	7.0 (26.4)	8.9 (33.5)	11.1 (42.2)	13.9 (52.6)	17.2 (65)	
	PSIG (kPa)	1.3 (9.1)	2.0 (13.6)	2.9 (20.2)	4.3 (29.8)	6.3 (43.8)	9.3 (63.9)	13.5 (93)	
KXZA035H8 Compressor: ZB26KCE	BTU/H (Watts)	21000 (6150)	23400 (6860)	26300 (7710)	29600 (8670)	33100 (9700)	36900 (10810)	40800 (11960)	
	GPM (L/min)	5.4 (20.5)	6.5 (24.6)	7.9 (30)	9.7 (36.8)	11.9 (45.1)	14.4 (54.6)	17.3 (65.5)	
	PSIG (kPa)	2.1 (14.5)	2.8 (19.3)	3.9 (26.6)	5.4 (37.3)	7.6 (52.5)	10.6 (73.4)	14.7 (101.3)	
KXZA040H8 Compressor: ZB30KCE	BTU/H (Watts)	23300 (6830)	26300 (7710)	29500 (8650)	33100 (9700)	37000 (10840)	41200 (12070)	45700 (13390)	
	GPM (L/min)	7.4 (28.2)	8.8 (33.5)	10.5 (39.7)	12.4 (47.1)	14.8 (55.9)	17.5 (66.1)	20.7 (78.2)	
	PSIG (kPa)	2.9 (20.2)	3.9 (27)	5.3 (36.4)	7.1 (49.1)	9.7 (66.6)	13.1 (90.6)	17.9 (123.4)	
KXZA050H8 Compressor: ZB38KCE	BTU/H (Watts)	30300 (8880)	34000 (9960)	38200 (11200)	42700 (12510)	47500 (13920)	52600 (15420)	58100 (17030)	
	GPM (L/min)	9.8 (37)	12.2 (46)	15.0 (56.8)	18.4 (69.8)	22.5 (85.1)	27.3 (103.2)	32.9 (124.4)	
	PSIG (kPa)	2.5 (17)	3.4 (23.3)	4.7 (32.1)	6.4 (44.3)	8.9 (61.1)	12.2 (84.1)	16.8 (115.7)	
KXZA060H8 Compressor: ZB45KCE	BTU/H (Watts)	34700 (10170)	39100 (11460)	43900 (12870)	49000 (14360)	54500 (15970)	60400 (17700)	66900 (19610)	
	GPM (L/min)	10.8 (40.9)	12.9 (48.9)	15.4 (58.2)	18.3 (69.2)	21.7 (82)	25.7 (97.2)	30.4 (115.1)	
	PSIG (kPa)	3.4 (23.4)	4.5 (30.8)	5.9 (40.7)	7.8 (53.9)	10.4 (71.6)	13.9 (95.7)	18.6 (128.3)	

NOTE: The capacities shown above are rated at dew point. The dew point is a saturation point and is the condition (pressure and temperature) at which a gas begins to condense. Since R407C has significant glide, the saturated gas and saturated liquid temperatures are not the same. It is important that all components of a system are selected correctly

CAPACITY DATA - R404A R507
HIGH / MEDIUM TEMPERATURE

Capacity Rating Conditions: 85°F (29.4°C) Entering Water, 105°F (40.6°C) Condensing, 0°F (0°C) Subcooling

MODEL KXZA		SATURATED SUCTION TEMPERATURE °F (°C)									
		-10 (-23.3)	0 (-17.8)	10 (-12.2)	20 (-6.7)	25 (-3.9)	30 (-1.1)	35 (1.7)	40 (4.4)		
KXZA010H8 Compressor: ZS09KAE	BTU/H (Watts)	5530 (1620)	6990 (2050)	8670 (2540)	10700 (3140)	11900 (3490)	13200 (3870)	14600 (4280)	16200 (4750)		
	GPM (L/min)	0.8 (3.1)	1.2 (4.4)	1.6 (6)	2.2 (8.2)	2.5 (9.5)	2.9 (11.1)	3.4 (13)	4.0 (15.2)		
	PSIG (kPa)	0.2 (1.3)	0.3 (2.1)	0.5 (3.3)	0.8 (5.4)	1.0 (7)	1.3 (9.1)	1.7 (11.9)	2.3 (15.7)		
KXZA011H8 Compressor: ZS11KAE	BTU/H (Watts)	6700 (1960)	8470 (2480)	10500 (3080)	13000 (3810)	14400 (4220)	16000 (4690)	17700 (5190)	19700 (5770)		
	GPM (L/min)	1.2 (4.5)	1.6 (6.2)	2.3 (8.6)	3.1 (11.7)	3.6 (13.7)	4.2 (16)	5.0 (18.7)	5.8 (22)		
	PSIG (kPa)	0.3 (2.1)	0.5 (3.5)	0.9 (5.9)	1.4 (9.9)	1.9 (13)	2.5 (17.1)	3.3 (22.7)	4.4 (30.3)		
KXZA015H8 Compressor: ZS13KAE	BTU/H (Watts)	7620 (2230)	9630 (2820)	12000 (3520)	14700 (4310)	16400 (4810)	18200 (5330)	20200 (5920)	22400 (6560)		
	GPM (L/min)	1.0 (3.9)	1.5 (5.8)	2.2 (8.4)	3.1 (11.9)	3.7 (14.1)	4.4 (16.8)	5.3 (19.9)	6.3 (23.7)		
	PSIG (kPa)	0.3 (2)	0.5 (3.5)	0.9 (6.1)	1.6 (10.7)	2.1 (14.3)	2.8 (19.2)	3.8 (25.9)	5.1 (35)		
KXZA020H8 Compressor: ZB15KCE	BTU/H (Watts)	8420 (2470)	10900 (3190)	13800 (4040)	17100 (5010)	19000 (5570)	21000 (6150)	23100 (6770)	25400 (7440)		
	GPM (L/min)	1.2 (4.5)	1.7 (6.4)	2.4 (9.1)	3.4 (12.8)	4.0 (15.1)	4.8 (18.1)	5.7 (21.5)	6.7 (25.5)		
	PSIG (kPa)	0.4 (3)	0.7 (4.7)	1.1 (7.6)	1.8 (12.4)	2.3 (16)	3.0 (21)	4.0 (27.6)	5.3 (36.4)		
KXZA025H8 Compressor: ZB19KCE	BTU/H (Watts)	11100 (3250)	14000 (4100)	17400 (5100)	21400 (6270)	23600 (6920)	26000 (7620)	28500 (8350)	31200 (9140)		
	GPM (L/min)	0.8 (3)	1.2 (4.5)	1.8 (6.9)	2.8 (10.4)	3.4 (12.9)	4.2 (15.9)	5.2 (19.5)	6.3 (24)		
	PSIG (kPa)	0.2 (1.1)	0.3 (1.8)	0.4 (2.9)	0.7 (5.1)	1.0 (6.9)	1.3 (9.3)	1.8 (12.6)	2.5 (17.3)		
KXZA030H8 Compressor: ZB21KCE	BTU/H (Watts)	13400 (3930)	16900 (4950)	20900 (6130)	25700 (7530)	28400 (8320)	31200 (9140)	34300 (10050)	37500 (10990)		
	GPM (L/min)	1.3 (5)	2.0 (7.6)	3.1 (11.6)	4.6 (17.6)	5.7 (21.7)	7.1 (26.7)	8.7 (32.8)	10.7 (40.3)		
	PSIG (kPa)	0.3 (2)	0.5 (3.4)	0.9 (5.9)	1.6 (10.8)	2.2 (14.8)	3.0 (20.6)	4.2 (28.8)	5.9 (40.6)		
KXZA035H8 Compressor: ZB26KCE	BTU/H (Watts)	15600 (4570)	19700 (5770)	24400 (7150)	30000 (8790)	33000 (9670)	36400 (10670)	39900 (11690)	43800 (12840)		
	GPM (L/min)	1.8 (6.8)	2.7 (10.1)	3.9 (14.7)	5.6 (21.1)	6.6 (25.1)	7.9 (29.8)	9.3 (35.2)	11.0 (41.5)		
	PSIG (kPa)	0.4 (3.1)	0.8 (5.2)	1.3 (8.8)	2.2 (15.1)	2.9 (19.9)	3.8 (26.2)	5.0 (34.6)	6.6 (45.7)		
KXZA040H8 Compressor: ZB30KCE	BTU/H (Watts)	17900 (5250)	22500 (6590)	28000 (8210)	34300 (10050)	37900 (11110)	41700 (12220)	45800 (13420)	50200 (14710)		
	GPM (L/min)	3.3 (12.6)	4.4 (16.8)	5.9 (22.5)	8.0 (30.1)	9.2 (34.8)	10.6 (40.3)	12.3 (46.5)	14.2 (53.7)		
	PSIG (kPa)	0.8 (5.6)	1.3 (8.7)	2.0 (13.9)	3.3 (22.5)	4.2 (28.9)	5.4 (37.2)	7.0 (48)	9.0 (62.1)		
KXZA050H8 Compressor: ZB38KCE	BTU/H (Watts)	22300 (6540)	28100 (8240)	34900 (10230)	42900 (12570)	47300 (13860)	52000 (15240)	57200 (16760)	62600 (18350)		
	GPM (L/min)	2.9 (10.9)	4.5 (17)	6.8 (25.7)	10.0 (37.9)	12.1 (45.6)	14.4 (54.7)	17.2 (65.2)	20.5 (77.5)		
	PSIG (kPa)	0.5 (3.5)	0.9 (6)	1.5 (10.2)	2.5 (17.6)	3.3 (23)	4.4 (30.3)	5.8 (39.8)	7.6 (52.4)		
KXZA060H8 Compressor: ZB45KCE	BTU/H (Watts)	26500 (7770)	33400 (9790)	41500 (12160)	50900 (14920)	56200 (16470)	61800 (18110)	67900 (19900)	74400 (21800)		
	GPM (L/min)	4.7 (17.9)	6.4 (24.3)	8.7 (32.9)	11.8 (44.6)	13.7 (51.8)	15.9 (60.2)	18.5 (69.9)	21.4 (81)		
	PSIG (kPa)	1.0 (7.2)	1.6 (10.9)	2.5 (16.9)	3.9 (26.7)	4.9 (33.8)	6.2 (43)	7.9 (54.8)	10.2 (70.1)		

HIGH / MEDIUM TEMPERATURE

Capacity Rating Conditions: 85°F (29.4°C) Entering Water, 105°F (40.6°C) Condensing, 0°F (0°C) Subcooling

MODEL KXZA	SATURATED SUCTION TEMPERATURE °F (°C)									
	10 (-12.2)	15 (-9.4)	20 (-6.7)	25 (-3.9)	30 (-1.1)	35 (1.7)	40 (4.4)	45 (7.2)		
KXZA010H8 Compressor: ZS09KAE	BTU/H (Watts)	8490 (2490)	9510 (2790)	10600 (3110)	11800 (3460)	13000 (3810)	14300 (4190)	15800 (4630)	17400 (5100)	
	GPM (L/min)	1.4 (5.4)	1.7 (6.4)	2.0 (7.6)	2.4 (9)	2.8 (10.5)	3.3 (12.4)	3.8 (14.5)	4.5 (17)	
	PSIG (kPa)	0.4 (2.8)	0.5 (3.7)	0.7 (4.8)	0.9 (6.3)	1.2 (8.3)	1.6 (10.9)	2.1 (14.4)	2.8 (19.1)	
KXZA011H8 Compressor: ZS11KAE	BTU/H (Watts)	9990 (2930)	11200 (3280)	12500 (3660)	13800 (4040)	15300 (4480)	16900 (4950)	18600 (5450)	20400 (5980)	
	GPM (L/min)	2.0 (7.4)	2.3 (8.8)	2.8 (10.5)	3.3 (12.3)	3.8 (14.5)	4.5 (17.1)	5.3 (20.1)	6.2 (23.5)	
	PSIG (kPa)	0.7 (4.7)	0.9 (6.2)	1.2 (8.2)	1.6 (10.9)	2.1 (14.4)	2.8 (19.3)	3.7 (25.7)	4.9 (34.1)	
KXZA015H8 Compressor: ZS13KAE	BTU/H (Watts)	11500 (3370)	12900 (3780)	14300 (4190)	15900 (4660)	17600 (5160)	19400 (5690)	21300 (6240)	23500 (6890)	
	GPM (L/min)	1.9 (7.3)	2.3 (8.8)	2.8 (10.6)	3.4 (12.8)	4.1 (15.4)	4.8 (18.4)	5.8 (21.8)	6.9 (25.9)	
	PSIG (kPa)	0.7 (5)	1.0 (6.6)	1.3 (9)	1.8 (12.2)	2.4 (16.6)	3.3 (22.4)	4.4 (30.3)	6.0 (41.3)	
KXZA020H8 Compressor: ZB15KCE	BTU/H (Watts)	13300 (3900)	14900 (4370)	16700 (4890)	18600 (5450)	20600 (6040)	22700 (6650)	25000 (7330)	27400 (8030)	
	GPM (L/min)	1.9 (7.4)	2.4 (9)	2.9 (11)	3.5 (13.4)	4.3 (16.2)	5.1 (19.5)	6.2 (23.4)	7.4 (28.1)	
	PSIG (kPa)	0.8 (5.7)	1.1 (7.5)	1.4 (10)	1.9 (13.3)	2.6 (17.7)	3.4 (23.6)	4.6 (31.8)	6.2 (42.8)	
KXZA025H8 Compressor: ZB19KCE	BTU/H (Watts)	14900 (4370)	16700 (4890)	18700 (5480)	20800 (6100)	23100 (6770)	25500 (7470)	28100 (8240)	31000 (9090)	
	GPM (L/min)	1.2 (4.6)	1.5 (5.8)	1.9 (7.3)	2.4 (9.1)	3.0 (11.4)	3.8 (14.3)	4.7 (17.9)	5.9 (22.4)	
	PSIG (kPa)	0.3 (1.8)	0.3 (2.4)	0.5 (3.2)	0.6 (4.3)	0.8 (5.8)	1.2 (8)	1.6 (11.1)	2.3 (15.6)	
KXZA030H8 Compressor: ZB21KCE	BTU/H (Watts)	19400 (5690)	21700 (6360)	24300 (7120)	27000 (7910)	29900 (8760)	33000 (9670)	36400 (10670)	39900 (11690)	
	GPM (L/min)	2.3 (8.7)	2.9 (11.1)	3.7 (14.1)	4.7 (17.8)	5.9 (22.5)	7.5 (28.3)	9.4 (35.5)	11.7 (44.3)	
	PSIG (kPa)	0.6 (4)	0.8 (5.5)	1.1 (7.8)	1.6 (11)	2.3 (15.7)	3.3 (22.6)	4.7 (32.7)	6.9 (47.5)	
KXZA035H8 Compressor: ZB26KCE	BTU/H (Watts)	22500 (6590)	25200 (7390)	28100 (8240)	31200 (9140)	34600 (10140)	38100 (11170)	42000 (12310)	46200 (13540)	
	GPM (L/min)	3.0 (11.4)	3.7 (13.9)	4.5 (17)	5.5 (20.8)	6.7 (25.2)	8.0 (30.4)	9.7 (36.6)	11.6 (43.7)	
	PSIG (kPa)	0.9 (6.1)	1.2 (8.1)	1.6 (10.9)	2.1 (14.8)	2.9 (20)	3.9 (27.1)	5.3 (36.8)	7.2 (49.9)	
KXZA040H8 Compressor: ZB30KCE	BTU/H (Watts)	26300 (7710)	29500 (8650)	32900 (9640)	36600 (10730)	40600 (11900)	44800 (13130)	49300 (14450)	54100 (15860)	
	GPM (L/min)	5.1 (19.2)	6.0 (22.7)	7.1 (26.7)	8.3 (31.5)	9.8 (37.1)	11.5 (43.5)	13.4 (50.9)	15.7 (59.4)	
	PSIG (kPa)	1.6 (10.8)	2.0 (14.1)	2.7 (18.5)	3.5 (24.4)	4.7 (32.2)	6.2 (42.6)	8.2 (56.3)	10.8 (74.5)	
KXZA050H8 Compressor: ZB38KCE	BTU/H (Watts)	32300 (9470)	36300 (10640)	40500 (11870)	45100 (13220)	49900 (14620)	55100 (16150)	60700 (17790)	66600 (19520)	
	GPM (L/min)	5.3 (19.9)	6.6 (25.2)	8.3 (31.4)	10.3 (38.9)	12.6 (47.7)	15.3 (58.1)	18.6 (70.3)	22.3 (84.5)	
	PSIG (kPa)	1.1 (7.3)	1.4 (9.9)	2.0 (13.5)	2.6 (18.2)	3.6 (24.6)	4.8 (33.3)	6.5 (44.9)	8.8 (60.4)	
KXZA060H8 Compressor: ZB45KCE	BTU/H (Watts)	38900 (11400)	43500 (12750)	48400 (14180)	53900 (15800)	59700 (17500)	65900 (19310)	72600 (21280)	79700 (23360)	
	GPM (L/min)	7.3 (27.5)	8.6 (32.6)	10.2 (38.5)	12.1 (45.7)	14.3 (54)	16.8 (63.7)	19.8 (75)	23.2 (88)	
	PSIG (kPa)	1.9 (13.1)	2.4 (16.7)	3.1 (21.4)	4.0 (27.7)	5.2 (36.1)	6.8 (47.1)	8.9 (61.6)	11.7 (80.7)	

CAPACITY DATA - R404A R507

LOW TEMPERATURE

Capacity Rating Conditions: 85°F (29.4°C) Entering Water, 105°F (40.6°C) Condensing, 0°F (0°C) Subcooling

MODEL KXZA	SATURATED SUCTION TEMPERATURE °F (°C)										
	-40 (-40)	-30 (-34.4)	-25 (-31.7)	-20 (-28.9)	-15 (-26.1)	-10 (-23.3)	-5 (-20.6)	0 (-17.8)			
KXZA020L6 Compressor: ZF06K4E	BTU/H (Watts)	4470 (1310)	5910 (1730)	6690 (1960)	7530 (2210)	8430 (2470)	9400 (2750)	10500 (3080)	11600 (3400)		
	GPM (L/min)	1.1 (4)	1.4 (5.2)	1.6 (5.9)	1.8 (6.8)	2.1 (7.9)	2.4 (9.2)	2.8 (10.7)	3.3 (12.5)		
	PSIG (kPa)	0.3 (1.8)	0.4 (2.6)	0.5 (3.3)	0.6 (4.1)	0.7 (5.2)	1.0 (6.6)	1.2 (8.5)	1.6 (11.1)		
KXZA025L6 Compressor: ZF08K4E	BTU/H (Watts)	5780 (1690)	7500 (2200)	8470 (2480)	9530 (2790)	10700 (3140)	11900 (3490)	13300 (3900)	14800 (4340)		
	GPM (L/min)	1.1 (4.3)	1.5 (5.8)	1.8 (6.9)	2.1 (8.1)	2.5 (9.6)	3.0 (11.3)	3.5 (13.4)	4.2 (15.9)		
	PSIG (kPa)	0.3 (2.3)	0.5 (3.6)	0.7 (4.5)	0.8 (5.9)	1.1 (7.6)	1.4 (10)	1.9 (13.2)	2.5 (17.5)		
KXZA030L6 Compressor: ZF09K4E	BTU/H (Watts)	6380 (1870)	8270 (2420)	9330 (2730)	10500 (3080)	11800 (3460)	13200 (3870)	14700 (4310)	16300 (4780)		
	GPM (L/min)	1.1 (4.3)	1.6 (6.2)	2.0 (7.4)	2.3 (8.8)	2.8 (10.5)	3.3 (12.5)	3.9 (14.9)	4.7 (17.7)		
	PSIG (kPa)	0.3 (2.3)	0.6 (3.9)	0.7 (5.1)	1.0 (6.7)	1.3 (8.8)	1.7 (11.7)	2.3 (15.7)	3.1 (21.1)		
KXZA035L6 Compressor: ZF11K4E	BTU/H (Watts)	7900 (2320)	10200 (2990)	11500 (3370)	12900 (3780)	14500 (4250)	16200 (4750)	18100 (5300)	20200 (5920)		
	GPM (L/min)	1.3 (5.1)	1.9 (7.4)	2.3 (8.9)	2.8 (10.7)	3.4 (12.8)	4.1 (15.5)	4.9 (18.6)	5.9 (22.4)		
	PSIG (kPa)	0.5 (3.5)	0.8 (5.7)	1.1 (7.3)	1.4 (9.5)	1.8 (12.5)	2.4 (16.5)	3.2 (22)	4.3 (29.6)		
KXZA045L6 Compressor: ZF13K4E	BTU/H (Watts)	9010 (2640)	11600 (3400)	13100 (3840)	14800 (4340)	16600 (4860)	18600 (5450)	20800 (6100)	23200 (6800)		
	GPM (L/min)	2.7 (10.2)	3.6 (13.5)	4.1 (15.6)	4.8 (18.2)	5.6 (21.3)	6.6 (24.9)	7.7 (29.3)	9.1 (34.5)		
	PSIG (kPa)	1.3 (8.9)	1.9 (13.4)	2.4 (16.8)	3.1 (21.2)	3.9 (27.1)	5.1 (35)	6.6 (45.8)	8.8 (60.5)		
KXZA055L6 Compressor: ZF15K4E	BTU/H (Watts)	11200 (3280)	14600 (4280)	16500 (4840)	18500 (5420)	20700 (6070)	23200 (6800)	25900 (7590)	28800 (8440)		
	GPM (L/min)	1.8 (6.8)	2.7 (10.1)	3.2 (12.3)	4.0 (15)	4.8 (18.3)	5.9 (22.4)	7.3 (27.5)	8.9 (33.9)		
	PSIG (kPa)	0.4 (2.9)	0.7 (4.9)	0.9 (6.4)	1.2 (8.5)	1.7 (11.4)	2.3 (15.6)	3.1 (21.6)	4.4 (30.3)		
KXZA060L6 Compressor: ZF18K4E	BTU/H (Watts)	13300 (3900)	17300 (5070)	19500 (5710)	22000 (6450)	24800 (7270)	27700 (8120)	31000 (9090)	34500 (10110)		
	GPM (L/min)	2.2 (8.2)	3.5 (13.2)	4.4 (16.7)	5.6 (21)	7.0 (26.5)	8.8 (33.5)	11.1 (42.2)	14.0 (53.1)		
	PSIG (kPa)	0.5 (3.7)	1.0 (7.1)	1.4 (10)	2.1 (14.2)	3.0 (20.4)	4.3 (29.7)	6.3 (43.8)	9.4 (65.1)		

MODEL KXHA	COMPRESSOR MODEL NO.	POWER SUPPLY	COMPRESSOR		UNIT		
			RLA	LRA	MCA	MOP	
KXHA005H7-	IS1	RST45C1E-CAA	115/1/60	9.4	54.5	11.8	20
	IS2	RST45C1E-CAV	208-230/1/60	4.6	26.5	5.8	15
KXHA008H7-	IS1	RST55C1E-CAA	115/1/60	13.5	70.0	16.9	30
	IS2	RST55C1E-CAV	208-230/1/60	6.1	33.7	7.6	15
KXHA010H7-	IS2	RST70C1E-PFV	208-230/1/60	6.9	46.0	8.6	15
	IT3	RST70C1E-TA5	208-230/3/60	4.9	36.0	6.1	15
KXHA015H7-	IS2	CR18K6E-PFV	208-230/1/60	9.4	49.0	11.8	20
	IT3	CR18K6E-TF5	208-230/3/60	5.4	49.0	6.8	15
KXHA020H7-	IS2	CR24K6E-PFV	208-230/1/60	11.2	61.0	14.0	25
	IT3	CR24K6E-TF5	208-230/3/60	6.9	55.0	8.6	15
	IT4	CR24K6E-TFD	460/3/60	3.6	28.0	4.5	15
KXHA025H7-	IS2	CR32K6E-PFV	208-230/1/60	14.4	82.0	18.0	30
	IT3	CR32K6E-TF5	208-230/3/60	9.0	72.0	11.3	20
	IT4	CR32K6E-TFD	460/3/60	4.6	33.0	5.7	15
KXHA030H7-	IS2	CR38K6E-PFV	208-230/1/60	17.1	105.0	21.4	35
	IT3	CR38K6E-TF5	208-230/3/60	10.7	85.0	13.4	20
	IT4	CR38K6E-TFD	460/3/60	5.3	42.0	6.6	15
KXHA035H7-	IS2	CR42K6E-PFV	208-230/1/60	18.3	102.0	22.9	40
	IT3	CR42K6E-TF5	208-230/3/60	12.6	91.0	15.8	25
	IT4	CR42K6E-TFD	460/3/60	5.7	42.0	7.1	15
	IT5	CR42K6E-TFE	575/3/60	4.7	39.0	5.8	15
KXHA040H7-	IS2	CR53KQE-PFV	208-230/1/60	26.0	140.0	32.5	50
	IT3	CR53KQE-TF5	208-230/3/60	16.3	107.0	20.4	35
	IT4	CR53KQE-TFD	460/3/60	8.1	55.0	10.2	15
KXHA050H7-	IS2	CRNQ-050E-PFV	208-230/1/60	30.8	142.0	38.5	60
	IT3	CRNQ-050E-TF5	208-230/3/60	19.2	130.0	24.0	40
	IT4	CRNQ-050E-TFD	460/3/60	8.7	65.0	10.8	20
	IT5	CRNQ-050E-TFE	575/3/60	7.1	52.0	8.8	15
KXHA006E6-	IS1	RST45C1E-CAA	115/1/60	9.4	54.5	11.8	20
	IS2	RST45C1E-CAV	208-230/1/60	4.6	26.5	5.8	15
KXHA008E6-	IS1	RST55C1E-CAA	115/1/60	13.5	70.0	16.9	30
	IS2	RST55C1E-CAV	208-230/1/60	6.1	33.7	7.6	15
KXHA009E6-	IS1	RST64C1E-CAA	115/1/60	13.1	77.0	16.4	25
	IS2	RST64C1E-CAV	208-230/1/60	8.0	43.0	10.0	15
KXHA010E6-	IS2	RST70C1E-PFV	208-230/1/60	6.9	46.0	8.6	15
	IT3	RST70C1E-TA5	208-230/3/60	4.9	36.0	6.1	15
KXHA015E6-	IS2	CS10K6E-PFV	208-230/1/60	9.8	56.0	12.3	20
	IT3	CS10K6E-TF5	208-230/3/60	6.7	51.0	8.4	15
	IT4	CS10K6E-TFD	460/3/60	3.2	25.0	4.0	15
KXHA020E6-	IS2	CS12K6E-PFV	208-230/1/60	9.8	56.0	12.3	20
	IT3	CS12K6E-TF5	208-230/3/60	6.7	51.0	8.4	15
KXHA025E6-	IS2	CS14K6E-PFV	208-230/1/60	11.2	61.0	14.0	25
	IT3	CS14K6E-TF5	208-230/3/60	8.2	55.0	10.3	15
	IT4	CS14K6E-TFD	460/3/60	4.2	28.0	5.3	15
KXHA030E6-	IS2	CS18K6E-PFV	208-230/1/60	14.4	82.0	17.9	30
	IT3	CS18K6E-TF5	208-230/3/60	7.9	65.5	9.9	15
	IT4	CS18K6E-TFD	460/3/60	4.2	33.0	5.3	15
KXHA035E6-	IS2	CS20K6E-PFV	208-230/1/60	16.7	96.0	20.8	35
	IT3	CS20K6E-TF5	208-230/3/60	10.2	75.0	12.8	20
	IT4	CS20K6E-TFD	460/3/60	4.6	40.0	5.7	15
KXHA040E6-	IS2	CS27K6E-PFV	208-230/1/60	21.5	95.4	26.8	45
	IT3	CS27K6E-TF5	208-230/3/60	14.0	82.0	17.5	30
	IT4	CS27K6E-TFD	460/3/60	7.6	41.0	9.5	15
KXHA050E6-	IS2	CS33K6E-PFV	208-230/1/60	27.6	125.0	34.5	60
	IT3	CS33K6E-TF5	208-230/3/60	16.8	102.0	21.0	35
	IT4	CS33K6E-TFD	460/3/60	8.8	48.0	11.1	15
KXHA006L6-	IS1	RFT22C1E-CAA	115/1/60	7.1	54.5	8.9	15
	IS2	RFT22C1E-CAV	208-230/1/60	4.7	29.0	5.9	15
KXHA008L6-	IS1	RFT26C1E-CAA	115/1/60	9.7	66.0	12.1	20
	IS2	RFT26C1E-CAV	208-230/1/60	5.8	35.5	7.3	15
KXHA010L6-	IS2	CF04K6E-PFV	208-230/1/60	9.9	59.2	12.4	20
	IT3	CF04K6E-TF5	208-230/3/60	6.1	52.0	7.6	15
KXHA020L6-	IS2	CF06K6E-PFV	208-230/1/60	10.3	59.2	12.8	20
	IT3	CF06K6E-TF5	208-230/3/60	6.3	52.0	7.9	15
KXHA025L6-	IS2	CF09K6E-PFV	208-230/1/60	15.0	87.0	18.8	30
	IT3	CF09K6E-TF5	208-230/3/60	9.2	72.2	11.5	20
	IT4	CF09K6E-TFD	460/3/60	4.9	35.8	6.2	15
KXHA030L6-	IS2	CF12K6E-PFV	208-230/1/60	18.4	105.0	23.0	40
	IT3	CF12K6E-TF5	208-230/3/60	11.0	85.0	13.8	20
	IT4	CF12K6E-TFD	460/3/60	5.9	42.0	7.4	15

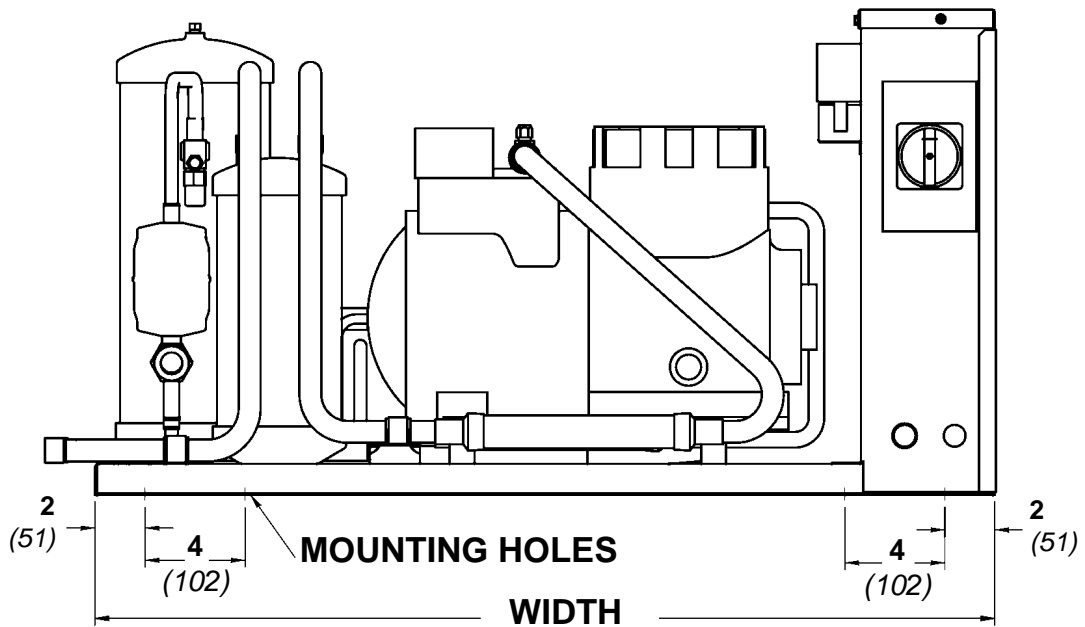
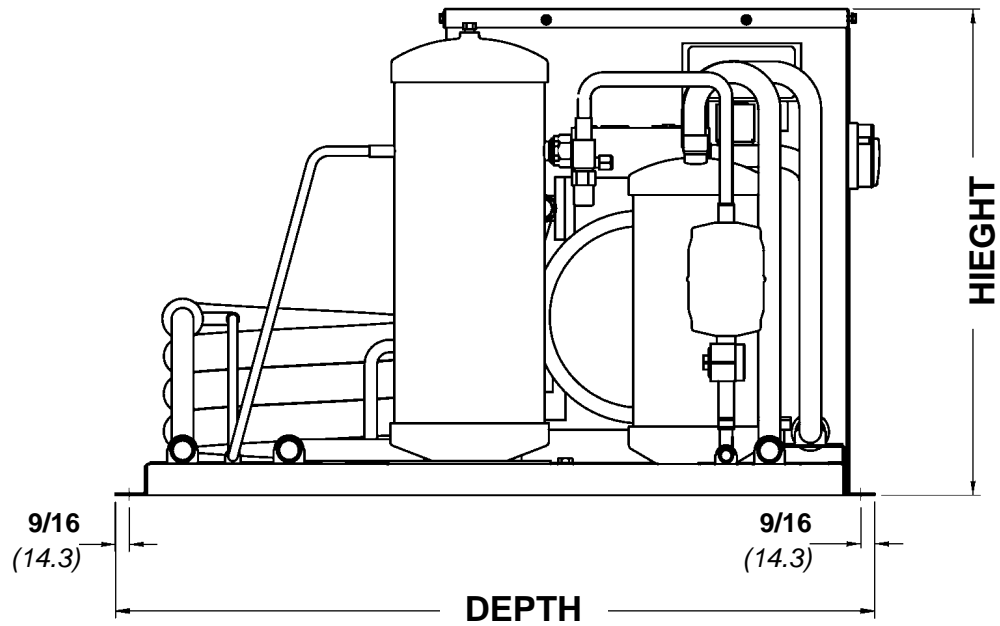
Above listed RLA value is based on UL rating method and may differ from published compressor RLA data.

MODEL KXSA	COMPRESSOR MODEL NO.	POWER SUPPLY	COMPRESSOR		UNIT		
			RLA	LRA	MCA	MOP	
KXSA008H2-	IS2	KAN2-0075-CAV	208-230/1/60	6.1	36	7.6	15
	IT3	KAN1-0075-TAC	208-230/3/60	3.5	19.9	4.4	15
KXSA010H2-	IS2	KAR2-0100-CAV	208-230/1/60	7.4	40	9.3	15
	IT3	KAR1-0100-TAC	208-230/3/60	4.3	27	5.4	15
KXSA015H2-	IS2	KAGB-0150-CAV	208-230/1/60	9.6	55	12.0	20
	IT3	KAGA-0150-TAC	208-230/3/60	5.5	35.5	6.9	15
	IT4	KAGA-0150-TAD	460/3/60	2.5	18.2	3.1	15
KXSA020H2-	IS2	KAKB-0200-CAV	208-230/1/60	10.6	55	13.3	20
	IT3	KAKA-0200-TAC	208-230/3/60	6.8	50	8.5	15
	IT4	KAKA-0200-TAD	460/3/60	3.0	25	3.8	15
KXSA030H2-	IS3	ERF2-0310-CAB	230/1/60	17.0	86	21.3	35
	IT3	ERF1-0310-TAC	208-230/3/60	11.7	82	14.6	25
	IT4	ERF1-0310-TAD	460/3/60	6.4	41	8.0	15
KXSA008M2-	IS2	KAE2-0075-CAV	208-230/1/60	5.4	36	6.8	15
	IT3	KAE1-0075-TAC	208-230/3/60	3.4	19.9	4.3	15
KXSA010M2-	IS2	KAM2-0100-CAV	208-230/1/60	7.5	40	9.4	15
	IT3	KAM1-0100-TAC	208-230/3/60	4.5	27	5.6	15
KXSA021M2-	IS3	ERC2-0200-CAB	230/1/60	10.9	58	13.6	20
	IT3	ERC1-0200-TAC	208-230/3/60	6.8	46	8.5	15
	IT4	ERC1-0200-TAD	460/3/60	3.6	23	4.5	15
	IT5	ERC1-0200-TAE	575/3/60	3.2	20	4.0	15
KXSA010M6-	IS2	KARB-010E-CAV	208-230/1/60	7.4	40	9.3	15
	IT3	KARA-010E-TAC	208-230/3/60	4.3	27	5.4	15
KXSA020M6-	IS2	KAKB-021E-CAV	208-230/1/60	10.6	55	13.3	20
	IT3	KAKA-020E-TAC	208-230/3/60	6.8	50	8.5	15
	IT4	KAKA-022E-TAD	460/3/60	3.0	25	3.8	15
KXSA021M6-	IT3	ERCA-021E-TAC	208-230/3/60	8.8	46	11.0	15
	IT4	ERCA-020E-TAD	460/3/60	3.5	23	4.4	15
	IT5	ERCA-020E-TAE	575/3/60	3.1	20	3.9	15
KXSA030M6-	IS3	ERFB-031E-CAB	230/1/60	17.0	86	21.3	35
	IT3	ERFA-031E-TAC	208-230/3/60	12.4	82	15.5	25
	IT4	ERFA-031E-TAD	460/3/60	5.8	41	7.3	15
KXSA035M6-	IT3	3RAA-031E-TAC	208-230/3/60	14.2	82	17.8	30
	IT4	3RAA-031E-TAD	460/3/60	6.3	41	7.9	15
KXSA040M6-	IT3	NRB2-040E-TFC	208-230/3/60	21.8	141	27.3	45
	IT4	NRB2-040E-TFD	460/3/60	9.0	63	11.3	20
KXSA005L6-	IS2	KANB-005E-CAV	208-230/1/60	3.6	24	4.5	15
	IT3	KANA-006E-TAC	208-230/3/60	2.2	13.2	2.8	15
KXSA008L6-	IS2	KAMB-007E-CAV	208-230/1/60	5.6	36	7.0	15
	IT3	KAMA-007E-TAC	208-230/3/60	3.2	19.9	4.0	15
KXSA010L6-	IS2	KAJB-010E-CAV	208-230/1/60	6.9	40	8.6	15
	IT3	KAJA-011E-TAC	208-230/3/60	4.6	27	5.8	15
KXSA015L6-	IS2	KALB-015E-CAV	208-230/1/60	9.9	55	12.4	20
	IT3	KALA-016E-TAC	208-230/3/60	6.6	50	8.3	15
	IT4	KALA-016E-TAD	460/3/60	3.4	25	4.3	15
KXSA020L6-	IS3	EADB-021E-CAB	230/1/60	10.0	58	12.5	20
	IT3	EADA-020E-TAC	208-230/3/60	6.8	46	8.5	15
KXSA021L6-	IS2	EAVB-021E-CAV	208-230/1/60	14.7	102	18.4	30
	IT3	EAVA-021E-TAC	208-230/3/60	7.4	50	9.3	15
	IT4	EAVA-021E-TAD	460/3/60	3.9	26.6	4.9	15
	IT5	EAVA-021E-TAE	575/3/60	3.1	20	3.9	15
KXSA030L6-	IS3	LAHB-032E-CAB	230/1/60	16.7	105	20.9	35
	IT3	LAHB-032E-TAC	208-230/3/60	12.8	112	16.0	25
	IT4	LAHB-032E-TAD	460/3/60	6.0	56	7.5	15
	IT5	LAHB-032E-TAE	575/3/60	4.1	30	5.1	15
KXSA032L6-	IS3	LACB-032E-CAB	230/1/60	15.5	105	19.4	30
	IT3	LACB-032E-TAC	208-230/3/60	12.8	112	16.0	25
	IT4	LACB-032E-TAD	460/3/60	6.0	56	7.5	15

Above listed RLA value is based on UL rating method and may differ from published compressor RLA data.

MODEL KXZA		COMPRESSOR MODEL NO.	POWER SUPPLY	COMPRESSOR		UNIT	
				RLA	LRA	MCA	MOP
KXZA010H8-	IS2	ZS09KAE-PFV	208-230/1/60	10.0	40.3	12.5	20
	IT3	ZS09KAE-TF5	208-230/3/60	8.0	55.4	10.0	15
	IT4	ZS09KAE-TFD	460/3/60	3.8	28	4.8	15
KXZA011H8-	IS2	ZS11KAE-PFV	208-230/1/60	12.6	55	15.8	25
	IT3	ZS11KAE-TF5	208-230/3/60	10.4	58	13.0	20
	IT4	ZS11KAE-TFD	460/3/60	4.3	28	5.4	15
KXZA015H8-	IS2	ZS13KAE-PFV	208-230/1/60	12.0	56	15.0	25
	IT3	ZS13KAE-TF5	208-230/3/60	9.7	58	12.1	20
	IT4	ZS13KAE-TFD	460/3/60	4.8	29	6.0	15
KXZA020H8-	IS2	ZB15KCE-PFV	208-230/1/60	15.7	61	19.6	35
	IT3	ZB15KCE-TF5	208-230/3/60	8.9	55	11.1	20
	IT4	ZB15KCE-TFD	460/3/60	5.0	27	6.3	15
KXZA025H8-	IS2	ZB19KCE-PFV	208-230/1/60	17.9	73	22.4	40
	IT3	ZB19KCE-TF5	208-230/3/60	10.0	63	12.5	20
	IT4	ZB19KCE-TFD	460/3/60	5.0	31	6.3	15
KXZA030H8-	IS2	ZB21KCE-PFV	208-230/1/60	20.7	100	25.9	45
	IT3	ZB21KCE-TF5	208-230/3/60	12.1	77	15.1	25
	IT4	ZB21KCE-TFD	460/3/60	6.1	39	7.6	15
KXZA035H8-	IS2	ZB26KCE-PFV	208-230/1/60	23.6	127	29.5	50
	IT3	ZB26KCE-TF5	208-230/3/60	13.9	88	17.4	30
	IT4	ZB26KCE-TFD	460/3/60	7.1	44	8.9	15
KXZA040H8-	IS2	ZB30KCE-PFV	208-230/1/60	26.8	132	33.5	60
	IT3	ZB30KCE-TF5	208-230/3/60	15.7	115	19.6	35
	IT4	ZB30KCE-TFD	460/3/60	7.5	47.5	9.4	15
	IT5	ZB30KCE-TFE	575/3/60	6.0	38	7.5	15
KXZA050H8-	IS2	ZB38KCE-PFV	208-230/1/60	31.1	175	38.9	70
	IT3	ZB38KCE-TF5	208-230/3/60	22.1	115	27.6	45
	IT4	ZB38KCE-TFD	460/3/60	9.6	63	12.0	20
	IT5	ZB38KCE-TFE	575/3/60	7.7	50	9.6	15
KXZA060H8-	IT3	ZB45KCE-TF5	208-230/3/60	22.5	156	28.1	50
	IT4	ZB45KCE-TFD	460/3/60	11.5	70	14.4	25
	IT5	ZB45KCE-TFE	575/3/60	9.2	56	11.5	20
KXZA020L 6/8-	IS2	ZF06K4E-PFV	208-230/1/60	13.6	61	17.0	30
	IT3	ZF06K4E-TF5	208-230/3/60	9.3	55	11.6	20
KXZA025L 6/8-	IS2	ZF08K4E-PFV	208-230/1/60	16.4	73	20.5	35
	IT3	ZF08K4E-TF5	208-230/3/60	9.7	63	12.1	20
	IT4	ZF08K4E-TFD	460/3/60	5.0	39	6.3	15
KXZA030L 6/8-	IS2	ZF09KCE-PFV	208-230/1/60	16.4	88	20.5	35
	IT3	ZF09KCE-TF5	208-230/3/60	11.1	77	13.9	25
	IT4	ZF09KCE-TFD	460/3/60	5.7	39	7.1	15
	IT5	ZF09KCE-TFE	575/3/60	4.3	31	5.4	15
KXZA035L 6/8-	IS2	ZF11K4E-PFV	208-230/1/60	20.7	109	25.9	45
	IT3	ZF11K4E-TF5	208-230/3/60	13.6	88	17.0	30
	IT4	ZF11K4E-TFD	460/3/60	7.1	44	8.9	15
	IT5	ZF11K4E-TFE	575/3/60	5.0	34	6.3	15
KXZA045L 6/8-	IS2	ZF13K4E-PFV	208-230/1/60	26.8	129	33.5	60
	IT3	ZF13K4E-TF5	208-230/3/60	15.0	99	18.8	30
	IT4	ZF13K4E-TFD	460/3/60	8.2	49.5	10.3	15
	IT5	ZF13K4E-TFE	575/3/60	8.2	40	10.3	15
KXZA055L 6/8-	IS2	ZF15K4E-PFV	208-230/1/60	31.8	169	39.8	70
	IT3	ZF15K4E-TF5	208-230/3/60	21.4	123	26.8	45
	IT4	ZF15K4E-TFD	460/3/60	9.6	62	12.0	20
	IT5	ZF15K4E-TFE	575/3/60	7.9	50	9.9	15
KXZA060L 6/8-	IT3	ZF18K4E-TF5	208-230/3/60	23.9	156	29.9	50
	IT4	ZF18K4E-TFD	460/3/60	9.3	70	11.6	20
	IT5	ZF18K4E-TFE	575/3/60	7.9	54	9.9	15

Above listed RLA value is based on UL rating method and may differ from published compressor RLA data.



**REFER TO NEXT PAGE FOR
DIMENSIONAL DATA FOR SPECIFIC MODELS**

MODEL KXHA	WIDTH		DEPTH		HIEGHT	
	Inches	mm	Inches	mm	Inches	mm
KXHA005H7	24 7/8	632	30 3/8	772	16 1/2	419
KXHA008H7	24 7/8	632	30 3/8	772	16 1/2	419
KXHA010H7	24 7/8	632	30 3/8	772	16 1/2	419
KXHA015H7	36 3/8	924	30 3/8	772	19 1/2	495
KXHA020H7	36 3/8	924	30 3/8	772	19 1/2	495
KXHA025H7	36 3/8	924	30 3/8	772	19 1/2	495
KXHA030H7	43 7/8	1114	32 7/8	835	30	762
KXHA035H7	43 7/8	1114	32 7/8	835	30	762
KXHA040H7	43 7/8	1114	32 7/8	835	30	762
KXHA050H7	43 7/8	1114	32 7/8	835	30	762
KXHA006E6	24 7/8	632	30 3/8	772	16 1/2	419
KXHA008E6	24 7/8	632	30 3/8	772	16 1/2	419
KXHA009E6	24 7/8	632	30 3/8	772	16 1/2	419
KXHA010E6	24 7/8	632	30 3/8	772	16 1/2	419
KXHA015E6	36 3/8	924	30 3/8	772	19 1/2	495
KXHA020E6	36 3/8	924	30 3/8	772	19 1/2	495
KXHA025E6	36 3/8	924	30 3/8	772	19 1/2	495
KXHA030E6	43 7/8	1114	32 7/8	835	30	762
KXHA035E6	43 7/8	1114	32 7/8	835	30	762
KXHA040E6	43 7/8	1114	32 7/8	835	30	762
KXHA050E6	43 7/8	1114	32 7/8	835	30	762
KXHA006L6	24 7/8	632	30 3/8	772	16 1/2	419
KXHA008L6	24 7/8	632	30 3/8	772	16 1/2	419
KXHA010L6	24 7/8	632	30 3/8	772	16 1/2	419
KXHA020L6	24 7/8	632	30 3/8	772	16 1/2	419
KXHA025L6	36 3/8	924	30 3/8	772	19 1/2	495
KXHA030L6	36 3/8	924	30 3/8	772	19 1/2	495

MODEL KXSA	WIDTH		DEPTH		HIEGHT	
	Inches	mm	Inches	mm	Inches	mm
KXSA005H2	24 7/8	632	30 3/8	772	16 1/2	419
KXSA008H2	24 7/8	632	30 3/8	772	16 1/2	419
KXSA010H2	24 7/8	632	30 3/8	772	16 1/2	419
KXSA015H2	36 3/8	924	30 3/8	772	19 1/2	495
KXSA020H2	36 3/8	924	30 3/8	772	19 1/2	495
KXSA030H2	43 7/8	1114	32 7/8	835	30	762
KXSA008M2	24 7/8	632	30 3/8	772	16 1/2	419
KXSA010M2	24 7/8	632	30 3/8	772	16 1/2	419
KXSA021M2	36 3/8	924	30 3/8	772	19 1/2	495
KXSA010M6	24 7/8	632	30 3/8	772	16 1/2	419
KXSA020M6	36 3/8	924	30 3/8	772	19 1/2	495
KXSA021M6	36 3/8	924	30 3/8	772	19 1/2	495
KXSA030M6	43 7/8	1114	32 7/8	835	30	762
KXSA005L6	24 7/8	632	30 3/8	772	16 1/2	419
KXSA008L6	24 7/8	632	30 3/8	772	16 1/2	419
KXSA010L6	24 7/8	632	30 3/8	772	16 1/2	419
KXSA015L6	36 3/8	924	30 3/8	772	19 1/2	495
KXSA020L6	36 3/8	924	30 3/8	772	19 1/2	495
KXSA021L6	36 3/8	924	30 3/8	772	19 1/2	495
KXSA030L6	43 7/8	1114	32 7/8	835	30	762
KXSA032L6	43 7/8	1114	32 7/8	835	30	762

MODEL KXZA	WIDTH		DEPTH		HIEGHT	
	Inches	mm	Inches	mm	Inches	mm
KXZA010H8	36 3/8	924	30 3/8	772	19 1/2	495
KXZA011H8	36 3/8	924	30 3/8	772	19 1/2	495
KXZA015H8	36 3/8	924	30 3/8	772	19 1/2	495
KXZA020H8	36 3/8	924	30 3/8	772	19 1/2	495
KXZA025H8	36 3/8	924	30 3/8	772	19 1/2	495
KXZA030H8	43 7/8	1114	32 7/8	835	30	762
KXZA035H8	43 7/8	1114	32 7/8	835	30	762
KXZA040H8	43 7/8	1114	32 7/8	835	30	762
KXZA050H8	43 7/8	1114	32 7/8	835	30	762
KXZA060H8	43 7/8	1114	32 7/8	835	30	762
KXZA020L 6/8	36 3/8	924	30 3/8	772	19 1/2	495
KXZA025L 6/8	36 3/8	924	30 3/8	772	19 1/2	495
KXZA030L 6/8	36 3/8	924	30 3/8	772	19 1/2	495
KXZA035L 6/8	36 3/8	924	30 3/8	772	19 1/2	495
KXZA045L 6/8	43 7/8	1114	32 7/8	835	30	762
KXZA055L 6/8	43 7/8	1114	32 7/8	835	30	762
KXZA060L 6/8	43 7/8	1114	32 7/8	835	30	762

MODEL KXHA	FIELD CONNECTIONS				WATER CONNECTION		RECEIVER CAPACITY 90% FULL *		SHIPPING WEIGHT	
	SUCTION		LIQUID		In.	mm	Lbs.	Kgs	Lbs.	Kgs
	In.	mm	In.	mm						
KXHA005H7	1/2	13	3/8	10	1/2	13	6.0	2.7	110	50
KXHA008H7	5/8	16	3/8	10	1/2	13	6.0	2.7	120	54
KXHA010H7	5/8	16	3/8	10	1/2	13	6.0	2.7	140	64
KXHA015H7	5/8	16	3/8	10	5/8	16	12.0	5.4	240	109
KXHA020H7	5/8	16	3/8	10	3/4	19	12.0	5.4	240	109
KXHA025H7	7/8	22	3/8	10	7/8	22	15.0	6.8	250	113
KXHA030H7	7/8	22	1/2	13	7/8	22	23.0	10.4	330	150
KXHA035H7	7/8	22	1/2	13	7/8	22	23.0	10.4	330	150
KXHA040H7	1 1/8	29	1/2	13	7/8	22	23.0	10.4	340	154
KXHA050H7	1 1/8	29	1/2	13	1 1/8	29	23.0	10.4	350	159
KXHA006E6	5/8	16	3/8	10	1/2	13	5.4	2.4	120	54
KXHA008E6	5/8	16	3/8	10	1/2	13	5.4	2.4	120	54
KXHA009E6	5/8	16	3/8	10	1/2	13	5.4	2.4	120	54
KXHA010E6	5/8	16	3/8	10	1/2	13	5.4	2.4	140	64
KXHA015E6	5/8	16	3/8	10	5/8	16	11.3	5.1	240	109
KXHA020E6	5/8	16	3/8	10	5/8	16	11.3	5.1	240	109
KXHA025E6	7/8	22	1/2	13	3/4	19	14.4	6.5	240	109
KXHA030E6	7/8	22	1/2	13	7/8	22	21.5	9.8	320	145
KXHA035E6	7/8	22	1/2	13	7/8	22	21.5	9.8	320	145
KXHA040E6	7/8	22	1/2	13	7/8	22	21.5	9.8	320	145
KXHA050E6	7/8	22	1/2	13	1 1/8	29	21.5	9.8	330	150
KXHA006L6	1/2	13	3/8	10	1/2	13	5.4	2.4	110	50
KXHA008L6	5/8	16	3/8	10	1/2	13	5.4	2.4	160	73
KXHA010L6	7/8	22	3/8	10	1/2	13	5.4	2.4	160	73
KXHA020L6	7/8	22	3/8	10	1/2	13	5.4	2.4	160	73
KXHA025L6	7/8	22	3/8	10	5/8	16	11.3	5.1	240	109
KXHA030L6	7/8	22	1/2	13	3/4	19	14.4	6.5	250	113

*** NOTE ON ALTERNATE REFRIGERANTS:**

* PUBLISHED RECEIVER CAPACITY IS BASED ON **R404A** ON MODELS USING "8" AS REFRIGERANT CODE. FOR ALTERNATE REFRIGERANTS, MULTIPLY **R404A** VALUE BY THE APPROPRIATE VALUE BELOW:

R407A	R407C	R448A	R507	R22
1.10	1.10	1.05	1.00	1.15

- For R449A, use R448A data.

MODEL KXSA	FIELD CONNECTIONS				WATER CONNECTION		RECEIVER CAPACITY 90% FULL *		SHIPPING WEIGHT	
	SUCTION		LIQUID		In.	mm	Lbs.	Kgs	Lbs.	Kgs
	Inches	mm	Inches	mm						
KXSA005H2	1/2	13	3/8	10	1/2	13	6	2.7	190	86
KXSA008H2	1/2	13	3/8	10	1/2	13	6	2.7	220	100
KXSA010H2	5/8	16	3/8	10	1/2	13	6	2.7	240	109
KXSA015H2	7/8	22	3/8	10	5/8	16	16	7.3	280	127
KXSA020H2	7/8	22	1/2	13	5/8	16	16	7.3	290	132
KXSA030H2	1 1/8	29	1/2	13	7/8	22	25	11.3	410	186
KXSA008M2	5/8	16	3/8	10	1/2	13	6	2.7	220	100
KXSA010M2	5/8	16	3/8	10	1/2	13	6	2.7	240	109
KXSA021M2	7/8	22	1/2	13	3/4	19	16	7.3	350	159
KXSA010M6	5/8	16	3/8	10	1/2	13	5.4	2.4	240	109
KXSA020M6	7/8	22	1/2	13	5/8	16	14	6.4	290	132
KXSA021M6	7/8	22	1/2	13	3/4	19	14	6.3	350	159
KXSA030M6	7/8	22	1/2	13	7/8	22	22	10.0	410	186
KXSA005L6	1/2	13	3/8	10	1/2	13	5.4	2.4	220	100
KXSA008L6	5/8	16	3/8	10	1/2	13	5.4	2.4	240	109
KXSA010L6	7/8	22	3/8	10	1/2	13	5.4	2.4	260	118
KXSA015L6	7/8	22	3/8	10	5/8	16	14	6.4	280	127
KXSA020L6	7/8	22	3/8	10	5/8	16	14	6.4	350	159
KXSA021L6	7/8	22	1/2	13	5/8	16	14	6.4	350	159
KXSA030L6	1 1/8	29	1/2	13	3/4	19	22	10.0	420	191
KXSA032L6	1 1/8	29	1/2	13	3/4	19	22	10.0	420	191

MODEL KXZA	FIELD CONNECTIONS				WATER CONNECTION		RECEIVER CAPACITY 90% FULL *		SHIPPING WEIGHT	
	SUCTION		LIQUID		In.	mm	Lbs.	Kgs	Lbs.	Kgs
	Inches	mm	Inches	mm						
KXZA010H8	5/8	16	3/8	10	5/8	16	5.4	2.4	115	52
KXZA011H8	5/8	16	3/8	10	5/8	16	5.4	2.4	125	57
KXZA015H8	7/8	22	3/8	10	5/8	16	11.0	5.0	150	68
KXZA020H8	7/8	22	3/8	10	3/4	19	11.0	5.0	250	113
KXZA025H8	7/8	22	1/2	13	7/8	22	14.0	6.4	250	113
KXZA030H8	7/8	22	1/2	13	7/8	22	22.0	10.0	265	120
KXZA035H8	7/8	22	1/2	13	7/8	22	22.0	10.0	330	150
KXZA040H8	1 1/8	29	1/2	13	7/8	22	22.0	10.0	330	150
KXZA050H8	1 1/8	29	1/2	13	7/8	22	22.0	10.0	340	154
KXZA060H8	1 1/8	29	1/2	13	1 1/8	29	22.0	10.0	350	159
KXZA020L 6/8	7/8	22	3/8	10	5/8	16	11.0	5.0	200	91
KXZA025L 6/8	7/8	22	3/8	10	5/8	16	14.0	6.4	220	100
KXZA030L 6/8	7/8	22	3/8	10	5/8	16	14.0	6.4	230	104
KXZA035L 6/8	7/8	22	1/2	13	3/4	19	22.0	10.0	240	109
KXZA045L 6/8	1 1/8	29	1/2	13	3/4	19	22.0	10.0	290	132
KXZA055L 6/8	1 1/8	29	1/2	13	7/8	22	22.0	10.0	290	132
KXZA060L 6/8	1 1/8	29	1/2	13	7/8	22	22.0	10.0	300	136

*** NOTE ON ALTERNATE REFRIGERANTS:**

* PUBLISHED RECEIVER CAPACITY IS BASED ON **R404A** ON MODELS USING "8" AS REFRIGERANT CODE.
FOR ALERNATE REFRIGERANTS, MULTIPLY **R404A** VALUE BY THE APPROPRIATE VALUE BELOW:

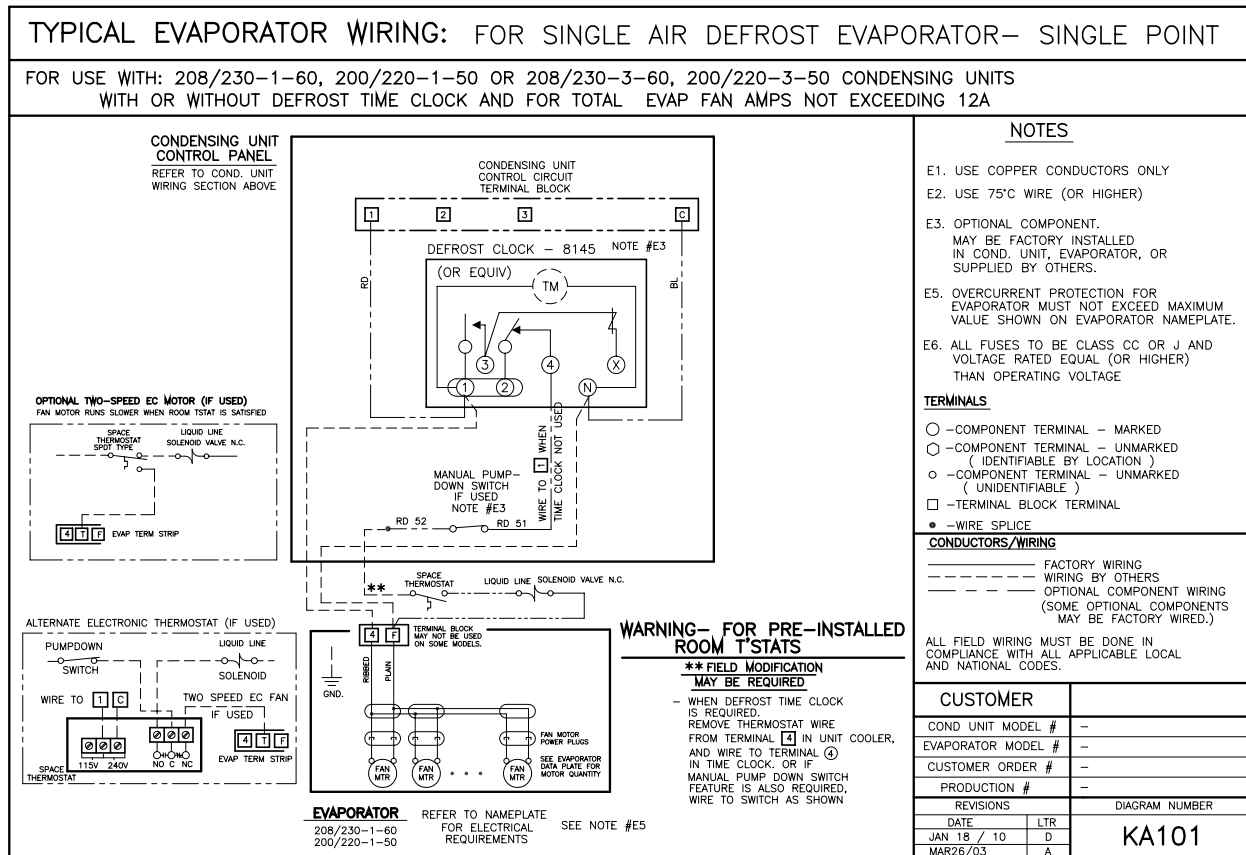
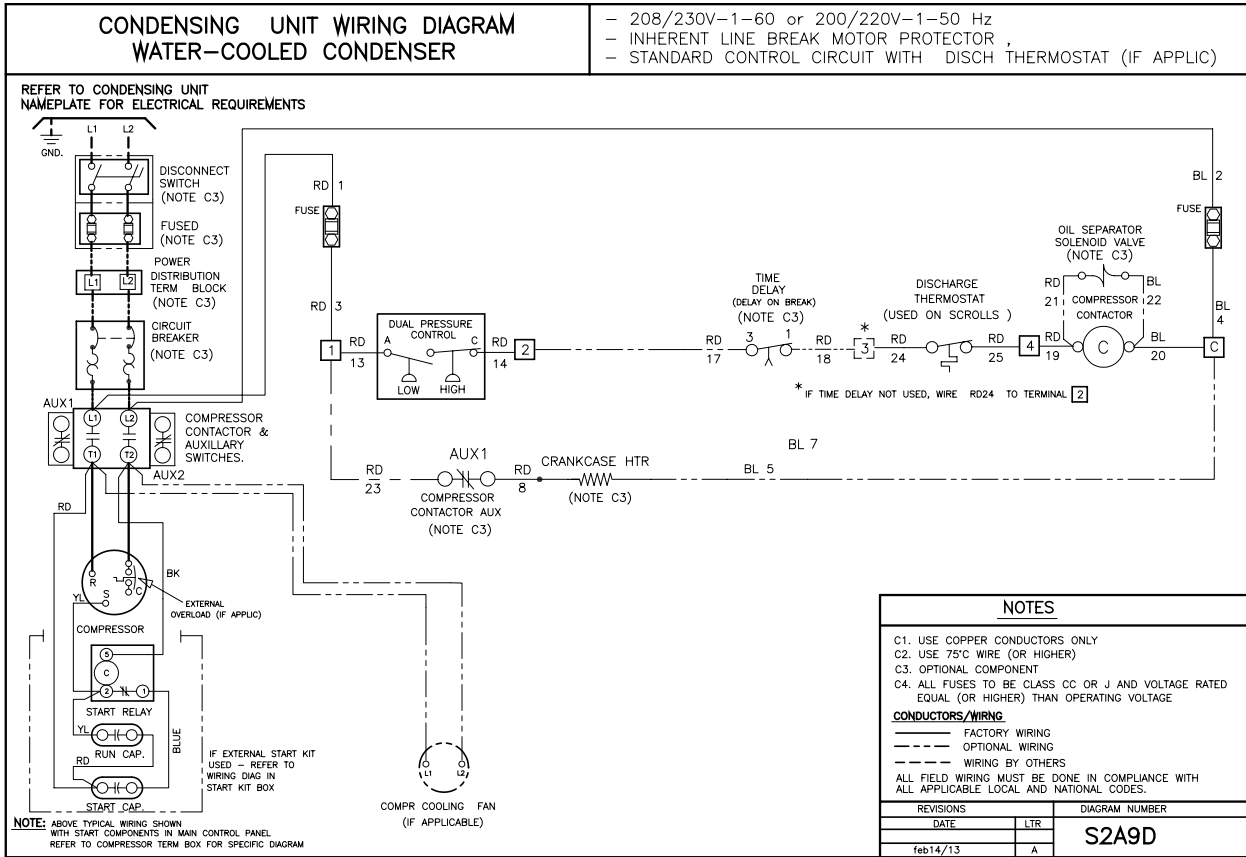
R407A	R407C	R448A	R507	R22
1.10	1.10	1.05	1.00	1.15

- For R449A, use R448A data.

TYPICAL SYSTEM WIRING DIAGRAM

208-230/3/60 Unit

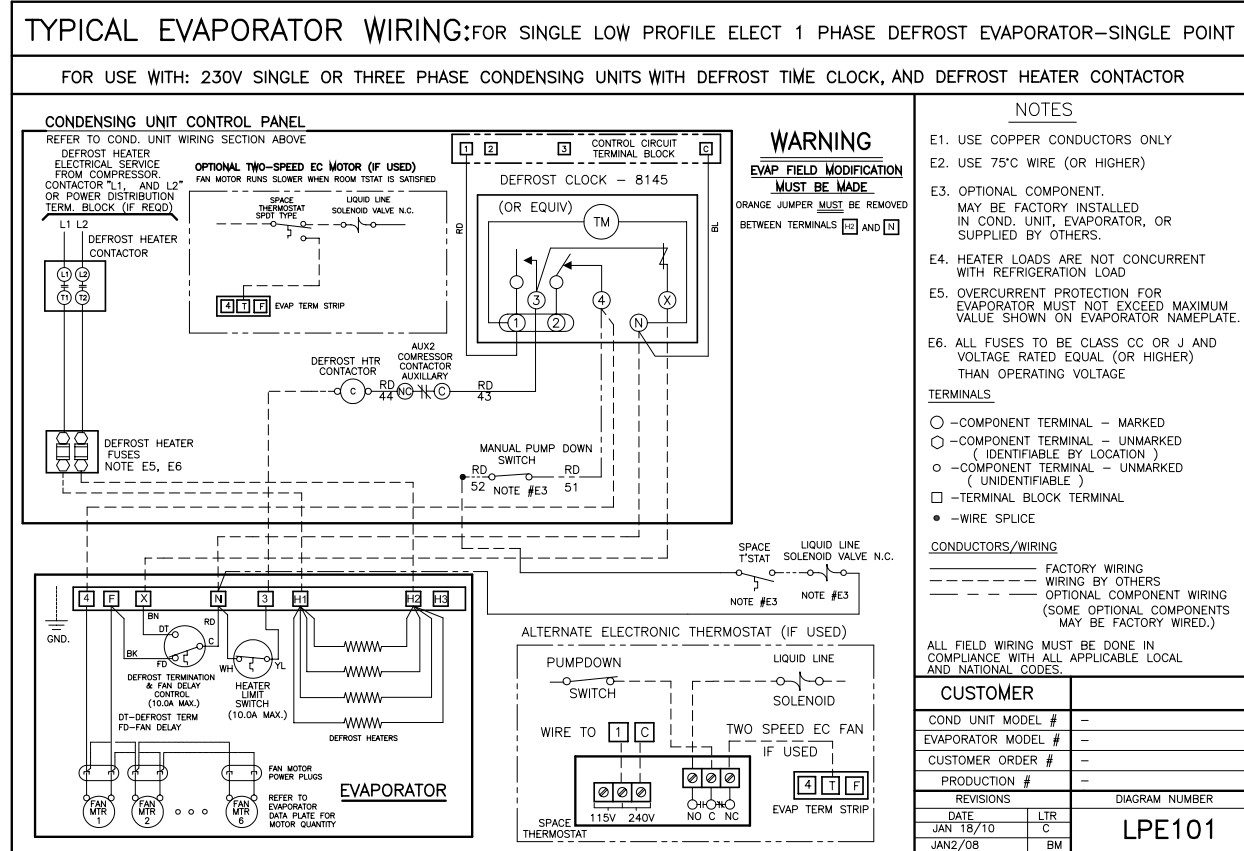
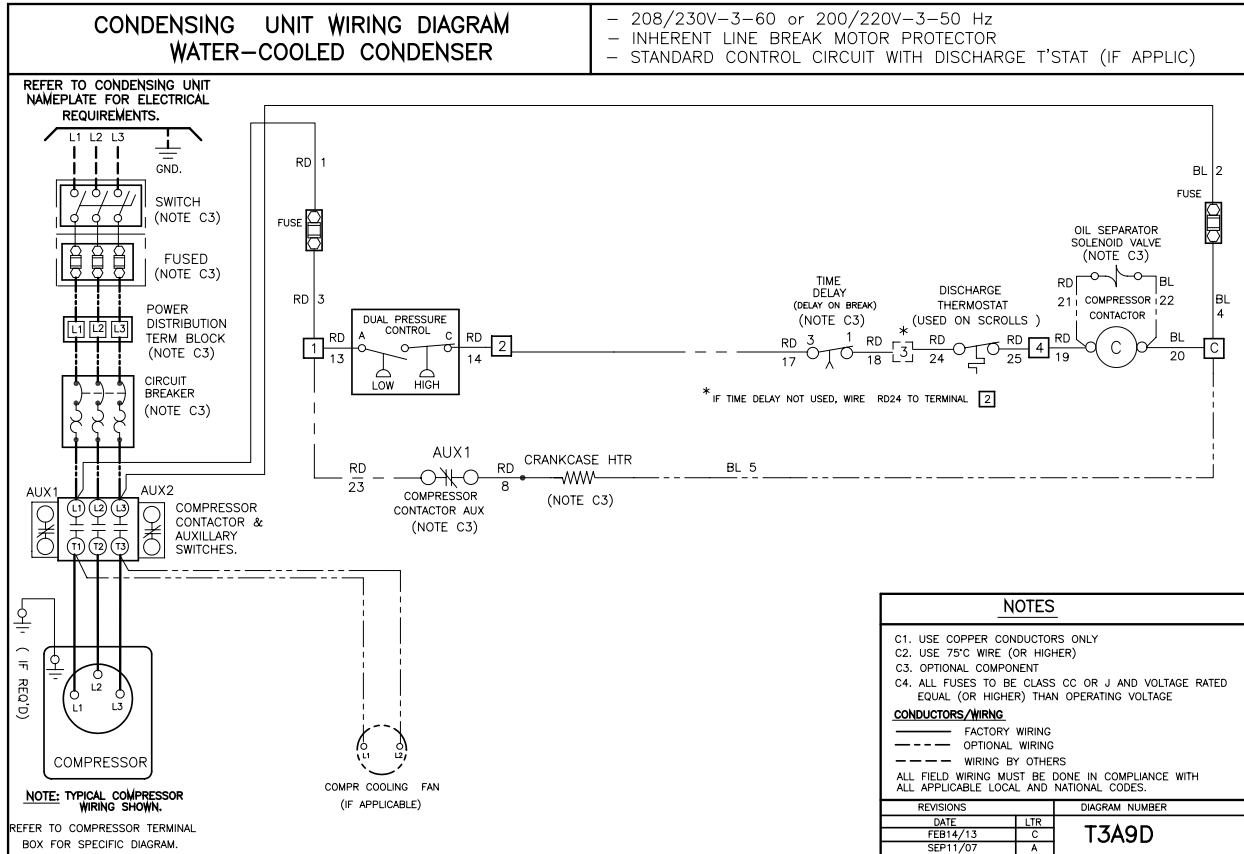
with Single Air Defrost Evaporator



TYPICAL SYSTEM WIRING DIAGRAM

208-230/3/60 Unit

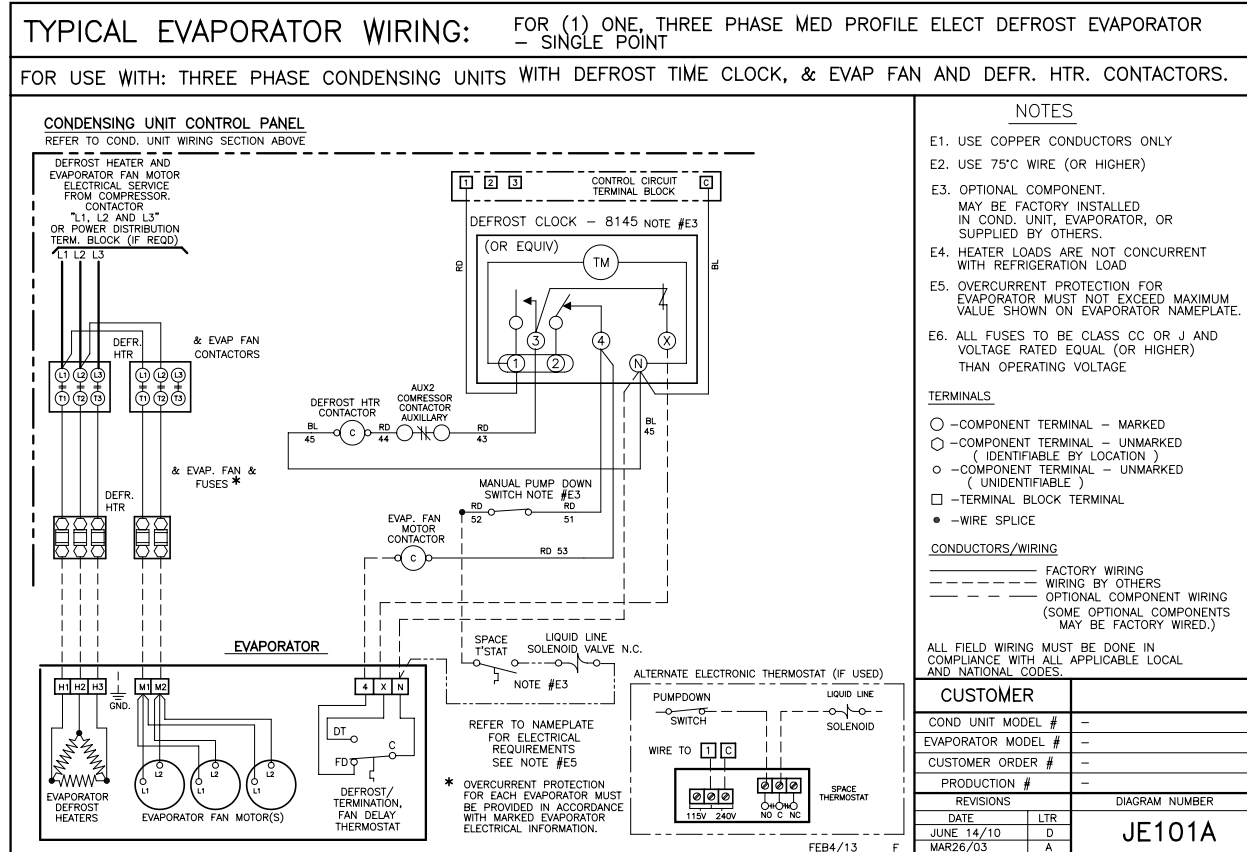
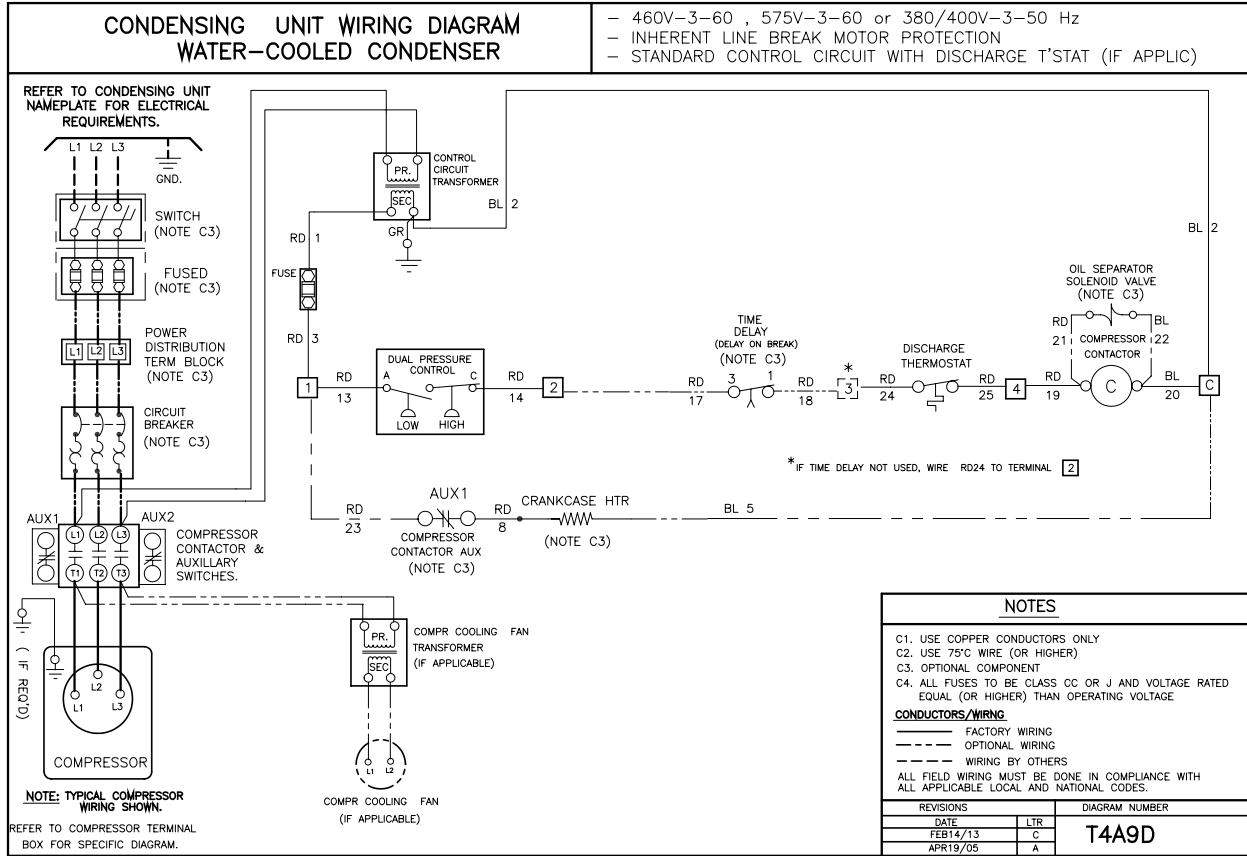
with Single Low Profile Electric Defrost Evaporator



TYPICAL SYSTEM WIRING DIAGRAM

460/3/60 or 575/3/60 Unit

with Single Low Profile Electric Defrost Evaporator



 PRODUCT SUPPORT	<p><i>web:</i> k-rp.com/kx <i>email:</i> rcu-wccu@k-rp.com <i>call:</i> 1-844-893-3222 x523</p>
 TROUBLESHOOTING	<p><i>email:</i> troubleshooting@k-rp.com <i>call:</i> 1-844-893-3222 x529</p>
 SERVICE PARTS	<p><i>web:</i> k-rp.com/parts <i>email:</i> parts@k-rp.com <i>call:</i> 1-844-893-3222 x501</p>
 WARRANTY	<p><i>web:</i> k-rp.com/warranty <i>email:</i> warranty@k-rp.com <i>call:</i> 1-844-893-3222 x501</p>
 ORDERS	<p><i>email:</i> orders@k-rp.com <i>call:</i> 1-844-893-3222 x501</p>
 SHIPPING	<p><i>email:</i> shipping@k-rp.com <i>call:</i> 1-844-893-3222 x503</p>



NATIONAL REFRIGERATION &
AIR CONDITIONING CANADA CORP.
159 ROY BLVD., BRANTFORD, ON, N3R 7K1



1-800-463-9517 (519) 751-0444
www.k-rp.com info@k-rp.com fax: (519) 753-1140