



# KE-Line Condensing Units

## PRODUCT DATA & SPECIFICATIONS

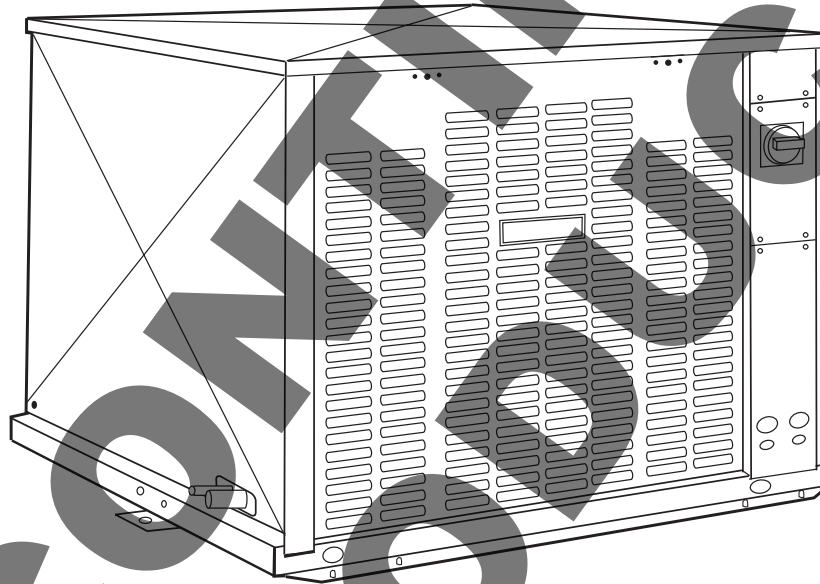
Bulletin K40-KE-PDS-60-12

1077387

We are on the Internet   
[www.keepriterefrigeration.com](http://www.keepriterefrigeration.com)

**60**  
Hz

Outdoor Air-Cooled  
Semi-Hermetic  
Condensing Units  
3 to 7-1/2 HP -  
High Medium and Low  
Temperature Refrigeration



### CONTENTS

	<b>Page</b>
Nomenclature.....	2
Features.....	2-4
Capacity Data (Imperial and <i>Metric</i> ).....	5 -12
Electrical Data.....	13 - 16
Dimensional Data.....	17, 18
Specifications.....	19, 20
Wiring Diagrams.....	21 - 23

# NOMENCLATURE

KEA 075 H 6 - H T3 A

### KE Excel Model Series

KEA = KeepRite outdoor air cooled Condensing Unit using Copeland Semi-Hermetic compressor  
 KEB = KeepRite outdoor air cooled Condensing Unit using Bitzer Semi-Hermetic compressor

### Nominal HP

075 = 7-1/2 HP

### Application Range

H = High and Med. Temp (0 to 45 °F evap temp.)  
 M = Med. Temp (Limited within 0 to 25 °F evap temp.)  
 L = Low Temp. (-40 to 0 °F evap temp.)

### Refrigerant

2 = R22, 6 = R404A/R507

### Enclosure

H = Outdoor

### Series Generation

A = Latest catalog spec (1st generation)  
 X = Special Custom Model  
 (Deviates from catalog)

### Voltage\*

S2 = 208-230/1/60

S3 = 230/1/60

T3 = 208-230/3/60

T4 = 460/3/60

T5 = 575/3/60

\* Subject to compressor availability

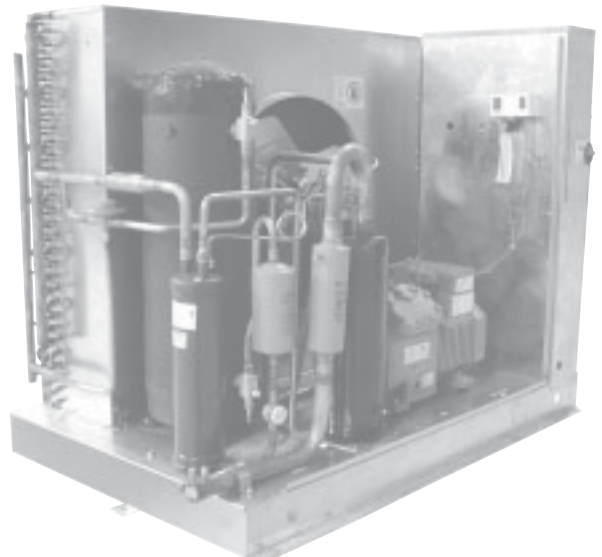
## PRODUCT FEATURES



Compact Design



Large Electrical Panel



Pre-Formed Piping

## PRODUCT FEATURES AND BENEFITS

- 
- Compact design
  - High efficiency enhanced tube and fin condenser design
  - Factory piped suction line terminated outside unit
  - Pre-formed piping
  - Vertical receiver
  - Quiet fan motor operation
  - Energy efficient PSC condenser fan motor
  - Large electrical control panel away from air flow stream
  - Wide open front design with spring latches and handle on front grille
  - Liquid and suction line access fitting outside the cabinet
  - Each Unit : is subjected to a thorough leak test with Helium leak-detectors ; is run tested and allowed to cycle off on high and low pressure
  - Units are shipped with Helium holding charge
- Smaller foot print, occupies minimum space, allows for better jobsite placement, installation and service
  - Better unit performance
  - Quick jobsite installation
  - Minimizes potential leaks and increases unit reliability
  - Ensures positive liquid seal with less refrigerant
  - Acceptable sound level while unit is operating in residential, commercial and industrial environment
  - Results in savings on power bills
  - Allows free unrestricted air flow and ensures easy access to components and better serviceability
  - Offers quick and unrestricted service access to serviceable parts/components
  - Allows quick service access — saving on service time. Liquid line fitting also provides quick access refrigerant charging
  - Ensures reliable operation
  - Reassures installer that no in-transit leak has occurred.
-

## STANDARD FEATURES

- Outdoor weather-resistant housing
- Weather proof electrical control box with compressor contactor and fused control circuit
- Spring-mounted accessible semi-hermetic compressor
- Suction and Discharge vibration eliminator on KEA models
- Solid state motor protection on KEB models
- Copper tubing secured with cushion clamps
- Adjustable dual high/low pressure control
- Oil failure control (on applicable models) with capillary line
- Flooded head pressure control (non-adjustable)
- Crankcase heater

---

---

## OPTIONAL FEATURES (Factory mounted)

- Sealed Suction filter
- Suction accumulator
- Suction accumulator with boil-out coil
- Discharge line Check valve
- Oil separator
- Oil separator c/w oil return filter & solenoid valve
- Adjustable head pressure control valves
- Receiver inlet ball valve
- Heated and Insulated receiver
- Over-sized receiver
- Sealed liquid line filter drier & sight-glass
- Ball valve - liquid line (shipped loose)
- Insulated suction lines
- Leg Kits
- Discharge air hood
- Sub cooling circuit on 5 and 7.5 HP models
- Flex hoses - for all pressure controls (Dual Pressure, Oil switch, etc..)
- Liquid line solenoid valve-(with standard 230 volt coil)-shipped loose
- Compressor Circuit breaker
- Current sensing relay - for use with Oil safety control (where applicable)
- Defrost heater contactor c/w fuse block
- Evaporator Fan contactor c/w fuse block
- Disconnect switch
- Disconnect Fusing
- Pump down toggle switch
- Lock out control circuit -Liquid solenoid valve with separate HP and LP controls
- Hoffmann Speed control for condenser fan (replaces flooded valve)
- Sentronic oil failure control ( where applicable)
- Time delay relay for compressor
- Mechanical Time Clock -Paragon 8145
- Electronic Time Clock
- Electronic Voltage/Phase Monitor

CONDENSING UNIT MODEL	SATURATED SUCTION TEMPERATURE ° F   ° C		AMBIENT TEMPERATURE ° F ( ° C)											
			85	(29.4)	90	(32.2)	95	(35.0)	100	(37.8)	105	(40.6)	110	(43.3)
KEA030H2 Compressor Model ERF1-0310	45	(7.2)	43230	(12658)	41720	(12216)	40180	(11765)	38610	(11305)	---	---	---	---
	40	(4.4)	39460	(11554)	38070	(11147)	36650	(10731)	35200	(10307)	33730	(9876)	---	---
	35	(1.7)	35880	(10506)	34600	(10131)	33290	(9747)	31960	(9358)	30610	(8963)	29220	(8556)
	30	(-1.1)	32490	(9513)	31310	(9168)	30110	(8816)	28890	(8459)	27650	(8096)	26390	(7727)
	25	(-3.9)	29290	(8576)	28210	(8260)	27110	(7938)	26000	(7613)	24860	(7279)	23720	(6945)
	20	(-6.7)	26290	(7698)	25290	(7405)	24290	(7112)	23270	(6813)	22250	(6515)	21210	(6210)
	15	(-9.4)	23480	(6875)	22570	(6608)	21650	(6339)	20730	(6070)	19800	(5797)	18860	(5522)
	10	(-12.2)	20870	(6111)	20030	(5865)	19190	(5619)	18360	(5376)	17520	(5130)	16680	(4884)
	5	(-15.0)	18450	(5402)	17680	(5177)	16920	(4954)	16160	(4732)	15410	(4512)	14650	(4290)
KEA040H2 Compressor Model NRB2-0400	45	(7.2)	60630	(17752)	58280	(17064)	55990	(16394)	53780	(15747)	51660	(15126)	49620	(14529)
	40	(4.4)	55180	(16157)	53000	(15518)	50900	(14904)	48870	(14309)	46920	(13738)	45060	(13194)
	35	(1.7)	50000	(14640)	48000	(14054)	46060	(13486)	44200	(12942)	42420	(12421)	40730	(11926)
	30	(-1.1)	45100	(13205)	43250	(12664)	41470	(12142)	39770	(11645)	38140	(11167)	36600	(10716)
	25	(-3.9)	40450	(11844)	38750	(11346)	37110	(10866)	35550	(10409)	34060	(9973)	32660	(9563)
	20	(-6.7)	36050	(10555)	34480	(10096)	32970	(9654)	31530	(9232)	30180	(8837)	28900	(8462)
	15	(-9.4)	31880	(9334)	30430	(8910)	29030	(8500)	27710	(8113)	26460	(7747)	25290	(7405)
	10	(-12.2)	27930	(8178)	26570	(7780)	25280	(7402)	24050	(7042)	22890	(6702)	21810	(6386)
	5	(-15.0)	24170	(7077)	22900	(6705)	21680	(6348)	20530	(6011)	19450	(5695)	18440	(5399)
KEA050H2 Compressor Model 2DC3-0500	45	(7.2)	71050	(20803)	68710	(20118)	66370	(19433)	64030	(18748)	61690	(18063)	59350	(17378)
	40	(4.4)	64680	(18938)	62510	(18303)	60330	(17665)	58160	(17029)	56000	(16397)	53830	(15761)
	35	(1.7)	58670	(17179)	56660	(16590)	54650	(16002)	52640	(15413)	50630	(14824)	48630	(14239)
	30	(-1.1)	53030	(15527)	51160	(14980)	49300	(14435)	47440	(13890)	45580	(13346)	43720	(12801)
	25	(-3.9)	47730	(13975)	46000	(13469)	44280	(12965)	42550	(12459)	40830	(11955)	39110	(11451)
	20	(-6.7)	42770	(12523)	41160	(12052)	39560	(11583)	37960	(11115)	36360	(10646)	34770	(10181)
	15	(-9.4)	38120	(11162)	36630	(10725)	35140	(10289)	33650	(9853)	32160	(9416)	30680	(8983)
	10	(-12.2)	33770	(9888)	32380	(9481)	30990	(9074)	29600	(8667)	28210	(8260)	26830	(7856)
	5	(-15.0)	29710	(8699)	28400	(8316)	27090	(7932)	25790	(7551)	24490	(7171)	23190	(6790)
KEA051H2 Compressor Model 2DD3-0500	45	(7.2)	80180	(23477)	77560	(22710)	74930	(21940)	72320	(21175)	69690	(20405)	67070	(19638)
	40	(4.4)	73200	(21433)	70770	(20721)	68350	(20013)	65920	(19301)	63500	(18593)	61080	(17884)
	35	(1.7)	66590	(19498)	64350	(18842)	62110	(18186)	59870	(17530)	57640	(16877)	55400	(16221)
	30	(-1.1)	60350	(17670)	58280	(17064)	56210	(16458)	54150	(15855)	52090	(15252)	50040	(14652)
	25	(-3.9)	54470	(15949)	52560	(15390)	50650	(14830)	48750	(14274)	46850	(13718)	44960	(13164)
	20	(-6.7)	48940	(14330)	47180	(13814)	45410	(13296)	43650	(12781)	41900	(12268)	40160	(11759)
	15	(-9.4)	43750	(12810)	42110	(12330)	40480	(11853)	38850	(11375)	37240	(10904)	35620	(10430)
	10	(-12.2)	38880	(11384)	37350	(10936)	35840	(10494)	34330	(10052)	32830	(9613)	31340	(9176)
	5	(-15.0)	34310	(10046)	32890	(9630)	31470	(9214)	30060	(8802)	28670	(8395)	27280	(7988)
KEA075H2 Compressor Model 2DL3-0750	45	(7.2)	96090	(28135)	93020	(27236)	89940	(26334)	86840	(25427)	83730	(24516)	---	---
	40	(4.4)	88070	(25787)	85240	(24958)	82390	(24124)	79530	(23286)	76650	(22443)	73770	(21600)
	35	(1.7)	80460	(23559)	77860	(22797)	75230	(22027)	72590	(21254)	69940	(20478)	67280	(19700)
	30	(-1.1)	73260	(21451)	70860	(20748)	68440	(20039)	66010	(19328)	63580	(18616)	61140	(17902)
	25	(-3.9)	66430	(19451)	64230	(18807)	62010	(18157)	59780	(17504)	57540	(16848)	55310	(16195)
	20	(-6.7)	59970	(17559)	57950	(16968)	55910	(16370)	53870	(15773)	51820	(15173)	49770	(14573)
	15	(-9.4)	53850	(15767)	51990	(15223)	50120	(14675)	48250	(14128)	46380	(13580)	44510	(13033)
	10	(-12.2)	48040	(14066)	46330	(13585)	44620	(13065)	42900	(12561)	41190	(12060)	39480	(11560)
	5	(-15.0)	42510	(12447)	40940	(11987)	39370	(11528)	37790	(11065)	36220	(10605)	34660	(10148)
KEA076H2 Compressor Model 2DA3-0750	45	(7.2)	105240	(30814)	101800	(29807)	98350	(28797)	94870	(27778)	---	---	---	---
	40	(4.4)	96910	(28375)	93750	(27450)	90580	(26522)	87370	(25582)	84150	(24639)	---	---
	35	(1.7)	88900	(26030)	86000	(25181)	83080	(24326)	80130	(23462)	77150	(22590)	74160	(21714)
	30	(-1.1)	81210	(23778)	78540	(22997)	75850	(22209)	73130	(21412)	70390	(20610)	67600	(19793)
	25	(-3.9)	73830	(21617)	71370	(20897)	68890	(20171)	66380	(19436)	63820	(18686)	61230	(17928)
	20	(-6.7)	66770	(19550)	64490	(18883)	62180	(18206)	59840	(17521)	57460	(16824)	55040	(16116)
	15	(-9.4)	60010	(17571)	57890	(16950)	55730	(16318)	53530	(15674)	51290	(15018)	49000	(14347)
	10	(-12.2)	53550	(15679)	51550	(15094)	49500	(14494)	47420	(13885)	45280	(13258)	43100	(12620)
	5	(-15.0)	47370	(13870)	45450	(13308)	43490	(12734)	41480	(12145)	39430	(11545)	37330	(10930)

--- Outside Operating Range  
Exact compressor model may vary with voltages

**KEA****R22 - MEDIUM TEMPERATURE  
CAPACITY BTU/H (WATTS)****60Hz**

CONDENSING UNIT MODEL	SATURATED SUCTION TEMPERATURE °F (°C)	AMBIENT TEMPERATURE °F (°C)									
		85 (29.4)	90 (32.2)	95 (35.0)	100 (37.8)	105 (40.6)	110 (43.3)				
KEA030M2 Compressor Model 3RA1-0310	25 (-3.9)	33350 (9765)	32170 (9419)	30990 (9074)	29800 (8725)	28590 (8371)	27370 (8014)				
	20 (-6.7)	30260 (8860)	29130 (8529)	28000 (8198)	26860 (7865)	25700 (7525)	24530 (7182)				
	15 (-9.4)	27280 (7988)	26220 (7677)	25150 (7364)	24060 (7045)	22960 (6723)	21850 (6398)				
	10 (-12.2)	24440 (7156)	23440 (6863)	22430 (6568)	21410 (6269)	20370 (5964)	19310 (5654)				
	5 (-15.0)	21710 (6357)	20790 (6087)	19850 (5812)	18900 (5534)	17930 (5250)	16940 (4960)				
KEA050M2 Compressor Model NRM1-0500	25 (-3.9)	56240 (16467)	54310 (15902)	52400 (15343)	50480 (14781)	48540 (14213)	46580 (13639)				
	20 (-6.7)	50650 (14830)	48900 (14318)	47150 (13806)	45400 (13293)	43630 (12775)	41850 (12254)				
	15 (-9.4)	45480 (13317)	43880 (12848)	42280 (12380)	40690 (11914)	39090 (11446)	37460 (10968)				
	10 (-12.2)	40700 (11917)	39250 (11492)	37800 (11068)	36350 (10643)	34900 (10219)	33420 (9785)				
	5 (-15.0)	36320 (10634)	35000 (10248)	33690 (9864)	32380 (9481)	31060 (9094)	29720 (8702)				

**KEA****R404A/R507 - HIGH & MEDIUM TEMPERATURE  
CAPACITY BTU/HR (WATTS)****60Hz**

CONDENSING UNIT MODEL	SATURATED SUCTION TEMPERATURE °F (°C)	AMBIENT TEMPERATURE °F (°C)									
		85 (29.4)	90 (32.2)	95 (35.0)	100 (37.8)	105 (40.6)	110 (43.3)				
KEA050H6 Compressor Model 2DC3-050E	40 (4.4)	66260 (19401)	63070 (18467)	59920 (17545)	56790 (16628)	53690 (15720)	50630 (14824)				
	35 (1.7)	60610 (17747)	57700 (16895)	54810 (16048)	51940 (15208)	49110 (14379)	46300 (13557)				
	30 (-1.1)	55200 (16163)	52540 (15384)	49910 (14614)	47300 (13849)	44720 (13094)	42170 (12347)				
	25 (-3.9)	50040 (14652)	47630 (13946)	45240 (13246)	42880 (12555)	40540 (11870)	38220 (11191)				
	20 (-6.7)	45150 (13220)	42970 (12582)	40820 (11952)	38690 (11328)	36570 (10708)	34480 (10096)				
	15 (-9.4)	40530 (11867)	38580 (11296)	36640 (10728)	34730 (10169)	32840 (9616)	30960 (9065)				
	10 (-12.2)	36210 (10602)	34470 (10093)	32740 (9586)	31030 (9086)	29330 (8588)	27660 (8099)				
	5 (-15.0)	32190 (9425)	30650 (8974)	29110 (8523)	27590 (8078)	26080 (7636)	24590 (7200)				
	0 (-17.8)	28500 (8345)	27130 (7944)	25770 (7545)	24420 (7150)	23080 (6758)	21750 (6368)				
	-5 (-20.6)	25130 (7358)	23920 (7004)	22730 (6655)	21530 (6304)	20350 (5958)	19170 (5613)				
KEA051H6 Compressor Model 2DD3-050E	40 (4.4)	76190 (22308)	72660 (21275)	69110 (20235)	65540 (19190)	61960 (18142)	58370 (17091)				
	35 (1.7)	70010 (20499)	66770 (19550)	63520 (18599)	60250 (17641)	56970 (16681)	53680 (15718)				
	30 (-1.1)	64030 (18748)	61070 (17881)	58100 (17012)	55130 (16142)	52130 (15264)	49130 (14385)				
	25 (-3.9)	58270 (17061)	55580 (16274)	52880 (15483)	50190 (14696)	47480 (13902)	44760 (13106)				
	20 (-6.7)	52770 (15451)	50330 (14737)	47900 (14025)	45460 (13311)	43020 (12596)	40570 (11879)				
	15 (-9.4)	47540 (13920)	45350 (13278)	43160 (12637)	40970 (11996)	38780 (11355)	36590 (10714)				
	10 (-12.2)	42630 (12482)	40660 (11905)	38700 (11331)	36750 (10760)	34800 (10189)	32850 (9618)				
	5 (-15.0)	38050 (11141)	36290 (10626)	34540 (10113)	32810 (9607)	31080 (9100)	29360 (8597)				
	0 (-17.8)	33840 (9908)	32270 (9449)	30720 (8995)	29190 (8547)	27670 (8102)	26160 (7660)				
	-5 (-20.6)	30020 (8790)	28630 (8383)	27250 (7979)	25900 (7584)	24570 (7194)	23260 (6811)				
KEA075H6 Compressor Model 2DL3-075E	40 (4.4)	88330 (25863)	84230 (24663)	80140 (23465)	76060 (22270)	71980 (21076)	67910 (19884)				
	35 (1.7)	81450 (23849)	77700 (22751)	73950 (21653)	70220 (20560)	66480 (19465)	62750 (18373)				
	30 (-1.1)	74800 (21901)	71370 (20897)	67970 (19902)	64550 (18900)	61150 (17905)	57750 (16909)				
	25 (-3.9)	68400 (20028)	65290 (19117)	62190 (18209)	59100 (17304)	56010 (16400)	52920 (15495)				
	20 (-6.7)	62270 (18233)	59460 (17410)	56660 (16590)	53860 (15770)	51070 (14953)	48280 (14136)				
	15 (-9.4)	56450 (16529)	53910 (15785)	51390 (15047)	48870 (14309)	46370 (13577)	43860 (12842)				
	10 (-12.2)	50940 (14915)	48670 (14251)	46400 (13586)	44150 (12927)	41900 (12268)	39650 (11610)				
	5 (-15.0)	45790 (13407)	43750 (12810)	41720 (12216)	39710 (11627)	37690 (11036)	35680 (10447)				
	0 (-17.8)	41000 (12005)	39180 (11472)	37370 (10942)	35560 (10412)	33760 (9885)	31970 (9361)				
	-5 (-20.6)	36610 (10719)	34970 (10239)	33350 (9765)	31730 (9291)	30120 (8819)	28510 (8348)				
KEA076H6 Compressor Model 2DA3-075E	40 (4.4)	97240 (28472)	92670 (27134)	88130 (25804)	83600 (24478)	79090 (23158)	74600 (21843)				
	35 (1.7)	90060 (26370)	85870 (25143)	81690 (23919)	77520 (22698)	73380 (21486)	69260 (20279)				
	30 (-1.1)	83130 (24340)	79290 (23216)	75470 (22098)	71660 (20982)	67860 (19869)	64090 (18766)				
	25 (-3.9)	76460 (22387)	72970 (21366)	69480 (20344)	66010 (19328)	62540 (18312)	59090 (17302)				
	20 (-6.7)	70070 (20516)	66910 (19591)	63740 (18663)	60570 (17735)	57420 (16813)	54280 (15893)				
	15 (-9.4)	63980 (18733)	61120 (17896)	58240 (17053)	55380 (16215)	52520 (15378)	49660 (14540)				
	10 (-12.2)	58200 (17041)	55610 (16283)	53010 (15521)	50420 (14763)	47820 (14002)	45230 (13243)				
	5 (-15.0)	52730 (15439)	50400 (14757)	48040 (14066)	45690 (13378)	43330 (12687)	40980 (11999)				
	0 (-17.8)	47590 (13934)	45470 (13314)	43340 (12690)	41200 (12063)	39050 (11434)	36900 (10804)				
	-5 (-20.6)	42770 (12523)	40840 (11958)	38900 (11390)	36940 (10816)	34970 (10239)	32990 (9659)				

Exact compressor model may vary with voltages

CONDENSING UNIT MODEL	SATURATED SUCTION TEMPERATURE °F °C		AMBIENT TEMPERATURE °F (°C)							
			85 (29.4)	90 (32.2)	95 (35.0)	100 (37.8)	105 (40.6)	110 (43.3)		
KEA030M6 Compressor Model ERFA-031E	25 (-3.9)		31330 (9173)	29860 (8743)	28360 (8304)	26840 (7859)	25320 (7414)	23780 (6963)		
	20 (-6.7)		28410 (8318)	27070 (7926)	25700 (7525)	24320 (7121)	22930 (6714)	21530 (6304)		
	15 (-9.4)		25680 (7519)	24450 (7159)	23210 (6796)	21950 (6427)	20690 (6058)	19420 (5686)		
	10 (-12.2)		23130 (6772)	22010 (6445)	20880 (6114)	19730 (5777)	18580 (5440)	17430 (5104)		
	5 (-15.0)		20750 (6076)	19730 (5777)	18700 (5475)	17650 (5168)	16600 (4860)	15550 (4553)		
	0 (-17.8)		18520 (5423)	17590 (5150)	16640 (4872)	15680 (4591)	14720 (4310)	13770 (4032)		
	-5 (-20.6)		16440 (4814)	15570 (4559)	14700 (4304)	13810 (4044)	12930 (3786)	12050 (3528)		
KEA035M6 Compressor Model 3RAA-031E	25 (-3.9)		38950 (11405)	36840 (10787)	34730 (10169)	32640 (9557)	30550 (8945)	28480 (8339)		
	20 (-6.7)		35150 (10292)	33220 (9727)	31300 (9165)	29390 (8605)	27490 (8049)	25600 (7496)		
	15 (-9.4)		31550 (9238)	29790 (8723)	28050 (8213)	26320 (7706)	24590 (7200)	22880 (6699)		
	10 (-12.2)		28150 (8242)	26560 (7777)	24980 (7314)	23410 (6854)	21850 (6398)	20310 (5947)		
	5 (-15.0)		24970 (7311)	23530 (6890)	22100 (6471)	20680 (6055)	19270 (5642)	17870 (5232)		
	0 (-17.8)		21990 (6439)	20690 (6058)	19390 (5677)	18110 (5303)	16840 (4931)	15580 (4562)		
	-5 (-20.6)		19220 (5628)	18040 (5282)	16870 (4940)	15700 (4597)	14550 (4260)	13420 (3929)		
KEA040M6 Compressor Model NRB2-040E	25 (-3.9)		42870 (12552)	40600 (11888)	38350 (11229)	36110 (10573)	33900 (9926)	31710 (9285)		
	20 (-6.7)		38720 (11337)	36650 (10731)	34600 (10131)	32570 (9536)	30560 (8948)	28570 (8365)		
	15 (-9.4)		34820 (10195)	32930 (9642)	31070 (9097)	29230 (8559)	27410 (8026)	25610 (7499)		
	10 (-12.2)		31150 (9121)	29440 (8620)	27740 (8122)	26070 (7633)	24420 (7150)	22800 (6676)		
	5 (-15.0)		27700 (8111)	26140 (7654)	24600 (7203)	23080 (6758)	21580 (6319)	20110 (5888)		
	0 (-17.8)		24450 (7159)	23020 (6740)	21610 (6327)	20230 (5923)	18860 (5522)	17530 (5133)		
	-5 (-20.6)		21370 (6257)	20050 (5871)	18760 (5493)	17480 (5118)	16230 (4752)	15010 (4395)		

Exact compressor model may vary with voltages

CONDENSING UNIT MODEL	SATURATED SUCTION TEMPERATURE ° F ° C		AMBIENT TEMPERATURE ° F ( ° C)									
			85 (29.4)	90 (32.2)	95 (35.0)	100 (37.8)	105 (40.6)	110 (43.3)				
KEA030L6 Compressor Model LAHA-032E	0 (-17.8)	26650 (7803)	25250 (7393)	23870 (6989)	22490 (6585)	21090 (6175)	19680 (5762)	18300 (5349)	17000 (5065)	15800 (4762)	14700 (4462)	
	-5 (-20.6)	23750 (6954)	22470 (6579)	21190 (6204)	19900 (5827)	18610 (5449)	17300 (5065)	16100 (4762)	15000 (4462)	14000 (4162)	13100 (3862)	
	-10 (-23.3)	20990 (6146)	19810 (5800)	18630 (5455)	17440 (5106)	16250 (4758)	15030 (4401)	13900 (4098)	12900 (3798)	12000 (3498)	11200 (3198)	
	-15 (-26.1)	18360 (5376)	17280 (5060)	16200 (4743)	15110 (4424)	14020 (4105)	12900 (3777)	11900 (3477)	11000 (3177)	10200 (2877)	9500 (2577)	
	-20 (-28.9)	15870 (4647)	14890 (4360)	13920 (4076)	12930 (3786)	11930 (3493)	10910 (3199)	10000 (2900)	9100 (2600)	8300 (2300)	7600 (2000)	
	-25 (-31.7)	13550 (3967)	12670 (3710)	11780 (3449)	10900 (3192)	9990 (2925)	9060 (2653)	8200 (2380)	7400 (2100)	6700 (1820)	6100 (1540)	
	-30 (-34.4)	11380 (3332)	10600 (3104)	9820 (2875)	9020 (2641)	8210 (2404)	7370 (2158)	6600 (1910)	5900 (1660)	5300 (1410)	4800 (1160)	
	-35 (-37.2)	9400 (2752)	8710 (2550)	8030 (2351)	7330 (2146)	6610 (1935)	5860 (1716)	5200 (1490)	4600 (1260)	4100 (1030)	3700 (800)	
	-40 (-40.0)	7600 (2225)	7020 (2055)	6420 (1880)	5820 (1704)	5190 (1520)	4520 (1323)	3900 (1090)	3400 (860)	3000 (630)	2700 (400)	
KEA031L6 Compressor Model NRD1-032E	0 (-17.8)	29450 (8623)	27950 (8184)	26450 (7745)	24950 (7305)	23480 (6875)	22040 (6453)	20630 (6031)	19250 (5609)	17900 (5187)	16600 (4765)	
	-5 (-20.6)	26360 (7718)	25000 (7320)	23640 (6922)	22280 (6524)	20950 (6134)	19660 (5756)	18400 (5378)	17180 (5020)	16000 (4662)	14900 (4262)	
	-10 (-23.3)	23530 (6890)	22300 (6529)	21060 (6166)	19850 (5812)	18650 (5461)	17500 (5124)	16400 (4792)	15300 (4472)	14300 (4152)	13400 (3842)	
	-15 (-26.1)	20920 (6125)	19800 (5797)	18690 (5472)	17600 (5153)	16540 (4843)	15520 (4544)	14540 (4244)	13600 (3944)	12700 (3644)	11900 (3344)	
	-20 (-28.9)	18490 (5414)	17480 (5118)	16480 (4825)	15510 (4541)	14570 (4266)	13680 (4006)	12800 (3746)	12000 (3486)	11300 (3226)	10600 (2966)	
	-25 (-31.7)	16190 (4740)	15280 (4474)	14380 (4210)	13520 (3959)	12690 (3716)	11920 (3490)	11200 (3260)	10500 (3030)	9900 (2790)	9300 (2560)	
	-30 (-34.4)	13960 (4087)	13150 (3850)	12350 (3616)	11580 (3391)	10860 (3180)	10190 (2984)	9560 (2784)	9000 (2584)	8500 (2384)	8000 (2184)	
	-35 (-37.2)	11770 (3446)	11030 (3230)	10320 (3022)	9640 (2823)	9010 (2638)	8440 (2471)	7900 (2290)	7400 (2130)	6900 (1970)	6500 (1810)	
	-40 (-40.0)	9550 (2796)	8880 (2600)	8240 (2413)	7630 (2234)	7080 (2073)	6600 (1932)	6100 (1790)	5600 (1640)	5200 (1490)	4800 (1340)	
KEA032L6 Compressor Model LACA-032E	0 (-17.8)	---	---	---	---	---	---	---	---	---	---	
	-5 (-20.6)	---	---	---	---	---	---	---	---	---	---	
	-10 (-23.3)	---	---	---	---	---	---	---	---	---	---	
	-15 (-26.1)	---	---	---	---	---	---	---	---	---	---	
	-20 (-28.9)	19310 (5654)	18220 (5335)	17140 (5019)	16070 (4705)	15030 (4401)	14010 (4102)	13000 (3802)	12000 (3502)	11100 (3202)	10300 (2902)	
	-25 (-31.7)	16820 (4925)	15810 (4629)	14810 (4336)	13820 (4046)	12840 (3760)	11870 (3476)	10900 (3192)	10000 (2912)	9100 (2632)	8300 (2352)	
	-30 (-34.4)	14470 (4237)	13570 (3973)	12670 (3710)	11770 (3446)	10880 (3186)	9990 (2925)	9100 (2667)	8300 (2407)	7600 (2147)	7000 (1887)	
	-35 (-37.2)	12210 (3575)	11440 (3350)	10660 (3121)	9890 (2896)	9110 (2667)	8330 (2439)	7600 (2210)	6900 (1980)	6300 (1750)	5800 (1520)	
	-40 (-40.0)	9990 (2925)	9380 (2746)	8770 (2568)	8140 (2383)	7500 (2196)	6850 (2006)	6300 (1816)	5800 (1626)	5300 (1436)	4900 (1246)	
KEA035L6 Compressor Model 2DF3-030E	0 (-17.8)	33210 (9724)	31580 (9247)	29980 (8778)	28400 (8316)	26820 (7853)	25260 (7396)	23720 (6939)	22200 (6482)	20700 (6025)	19200 (5568)	
	-5 (-20.6)	29850 (8740)	28390 (8313)	26950 (7891)	25540 (7478)	24130 (7065)	22710 (6649)	21300 (6232)	20000 (5815)	18700 (5398)	17400 (4982)	
	-10 (-23.3)	26660 (7806)	25360 (7425)	24080 (7051)	22810 (6679)	21540 (6307)	20270 (5935)	19000 (5563)	17800 (5146)	16600 (4730)	15500 (4314)	
	-15 (-26.1)	23650 (6925)	22490 (6585)	21350 (6251)	20210 (5917)	19070 (5584)	17930 (5250)	16800 (4917)	15700 (4584)	14600 (4250)	13600 (3914)	
	-20 (-28.9)	20840 (6102)	19810 (5800)	18780 (5499)	17760 (5200)	16730 (4899)	15680 (4591)	14600 (4280)	13600 (3970)	12600 (3660)	11700 (3350)	
	-25 (-31.7)	18240 (5341)	17300 (5065)	16380 (4796)	15450 (4524)	14500 (4246)	13540 (3965)	12600 (3684)	11700 (3404)	10800 (3124)	10000 (2844)	
	-30 (-34.4)	15840 (4638)	14990 (4389)	14140 (4140)	13280 (3888)	12400 (3631)	11500 (3367)	10600 (3107)	9800 (2847)	9100 (2587)	8400 (2327)	
	-35 (-37.2)	13650 (3997)	12860 (3765)	12070 (3534)	11260 (3297)	10420 (3051)	9560 (2799)	8700 (2547)	7900 (2297)	7200 (2047)	6600 (1797)	
	-40 (-40.0)	11680 (3420)	10920 (3197)	10160 (2975)	9380 (2746)	8560 (2506)	7710 (2257)	6900 (2007)	6200 (1757)	5600 (1507)	5100 (1257)	
KEA040L6 Compressor Model 2DL3-040E	0 (-17.8)	40500 (11858)	38610 (11305)	36730 (10755)	34850 (10204)	32980 (9657)	31100 (9106)	29220 (8555)	27360 (8004)	25500 (7453)	23640 (6902)	
	-5 (-20.6)	36420 (10664)	34720 (10166)	33020 (9668)	31320 (9170)	29620 (8673)	27920 (8175)	26220 (7682)	24520 (7190)	22820 (6700)	21120 (6208)	
	-10 (-23.3)	32580 (9539)	31050 (9091)	29510 (8641)	27980 (8193)	26440 (7742)	24910 (7294)	23380 (6842)	21840 (6390)	20300 (5938)	18760 (5486)	
	-15 (-26.1)	28970 (8482)	27590 (8078)	26210 (7674)	24830 (7270)	23440 (6863)	22060 (6459)	20680 (6055)	19300 (5651)	17920 (5247)	16540 (4843)	
	-20 (-28.9)	25600 (7496)	24350 (7130)	23110 (6767)	21870 (6404)	20620 (6038)	19370 (5672)	18120 (5306)	16870 (4940)	15620 (4574)	14370 (4208)	
	-25 (-31.7)	22450 (6573)	21330 (6245)	20220 (5920)	19090 (5590)	17970 (5262)	16850 (4934)	15700 (4598)	14550 (4262)	13400 (3926)	12250 (3590)	
	-30 (-34.4)	19540 (5721)	18530 (5426)	17520 (5130)	16510 (4834)	15490 (4535)	14470 (4237)	13450 (3938)	12400 (3630)	11350 (3322)	10300 (3014)	
	-35 (-37.2)	16850 (4934)	15930 (4664)	15010 (4395)	14090 (4126)	13160 (3853)	12230 (3581)	11300 (3309)	10350 (3030)	9400 (2760)	8450 (2490)	
	-40 (-40.0)	14380 (4210)	13540 (3965)	12690 (3716)	11840 (3467)	10990 (3218)	10130 (2966)	9280 (2716)	8430 (2464)	7580 (2212)	6730 (1958)	
KEA060L6 Compressor Model 2DB3-060E	0 (-17.8)	50110 (14672)	47880 (14019)	45640 (13363)	43400 (12708)	41130 (12043)	38840 (11372)	36550 (10707)	34260 (10042)	31970 (9377)	29680 (8712)	
	-5 (-20.6)	45110 (13208)	43090 (12617)	41080 (12028)	39060 (11437)	37030 (10842)	34980 (10242)	32930 (9647)	30880 (9052)	28830 (8457)	26780 (7872)	
	-10 (-23.3)	40380 (11823)	38560 (11290)	36760 (10763)	34950 (10233)	33130 (9700)	31300 (9165)	29470 (8630)	27640 (8095)	25810 (7570)	23980 (7045)	
	-15 (-26.1)	35930 (10520)	34300 (10043)	32680 (9569)	31060 (9094)	29440 (8620)	27810 (8143)	26180 (7666)	24550 (7191)	22920 (6716)	21290 (6241)	
	-20 (-28.9)	31760 (9299)	30290 (8869)	28840 (8444)	27390 (8020)	25950 (7598)	24510 (7177)	23070 (6755)	21630 (6333)	20190 (5910)	18750 (5486)	
	-25 (-31.7)	27880 (8163)	26540 (7771)	25230 (7387)	23940 (7010)	22660 (6635)	21380 (6260)	20100 (5885)	18820 (5510)	17540 (5135)	16260 (4760)	
	-30 (-34.4)	24270 (7106)	23050 (6749)	21860 (6401)	20700 (6061)	19560 (5727)	18420 (5393)	17280 (5018)	16140 (4644)	15000 (4270)	13860 (3895)	
	-35 (-37.2)	20920 (6125)	19800 (5797)	18710 (5478)	17660 (5171)	16630 (4869)	15620 (4574)	14600 (4270)	13580 (3965)	12560 (3660)	11540 (3355)	
	-40 (-40.0)	17830 (5221)	16790 (4916)	15780 (4620)	14820 (4339)	13880 (4064)	12960 (3795)	12040 (3520)	11120 (3245)	10200 (2970)	9280 (2695)	

— Outside Operating Range  
Exact compressor model may vary with voltages



**KEA****R404A/R507 - LOW TEMPERATURE (CONT'D)  
CAPACITY BTU/H (WATTS)****60Hz**

CONDENSING UNIT MODEL	SATURATED SUCTION TEMPERATURE		AMBIENT TEMPERATURE ° F (° C)							
	° F	° C	85 (29.4)	90 (32.2)	95 (35.0)	100 (37.8)	105 (40.6)	110 (43.3)		
KEA061L6 Compressor Model 3DA3A060E	0 (-17.8)		54630 (15996)	52300 (15313)	49990 (14637)	47670 (13958)	45330 (13273)	42960 (12579)		
	-5 (-20.6)		49260 (14423)	47180 (13814)	45110 (13208)	43040 (12602)	40930 (11984)	38780 (11355)		
	-10 (-23.3)		44170 (12933)	42320 (12391)	40480 (11853)	38620 (11308)	36730 (10755)	34780 (10184)		
	-15 (-26.1)		39380 (11530)	37740 (11050)	36100 (10570)	34430 (10081)	32720 (9580)	30960 (9065)		
	-20 (-28.9)		34900 (10219)	33440 (9791)	31980 (9364)	30480 (8925)	28940 (8474)	27320 (7999)		
	-25 (-31.7)		30750 (9004)	29450 (8623)	28140 (8239)	26790 (7844)	25370 (7428)	23880 (6992)		
	-30 (-34.4)		26940 (7888)	25770 (7545)	24580 (7197)	23340 (6834)	22030 (6450)	20640 (6043)		
	-35 (-37.2)		23470 (6872)	22410 (6562)	21310 (6240)	20160 (5903)	18930 (5543)	17600 (5153)		
	-40 (-40.0)		20360 (5961)	19370 (5672)	18330 (5367)	17230 (5045)	16040 (4697)	14760 (4322)		
KEA075L6 Compressor Model 3DB3A075E	0 (-17.8)		62460 (18288)	59770 (17501)	57110 (16722)	54480 (15952)	51870 (15188)	---	---	
	-5 (-20.6)		56450 (16529)	54060 (15829)	51690 (15135)	49340 (14447)	47010 (13765)	---	---	
	-10 (-23.3)		50770 (14865)	48660 (14248)	46550 (13630)	44460 (13018)	42380 (12409)	40300 (11800)		
	-15 (-26.1)		45440 (13305)	43560 (12754)	41700 (12210)	39830 (11662)	37960 (11115)	36090 (10567)		
	-20 (-28.9)		40440 (11841)	38780 (11355)	37120 (10869)	35450 (10380)	33760 (9885)	32070 (9390)		
	-25 (-31.7)		35780 (10476)	34300 (10043)	32810 (9607)	31300 (9165)	29760 (8714)	28210 (8260)		
	-30 (-34.4)		31450 (9209)	30120 (8819)	28760 (8421)	27370 (8014)	25950 (7598)	24500 (7174)		
	-35 (-37.2)		27430 (8032)	26210 (7674)	24950 (7305)	23650 (6925)	22300 (6529)	20920 (6125)		
	-40 (-40.0)		23720 (6945)	22560 (6606)	21360 (6254)	20100 (5885)	18800 (5505)	17440 (5106)		

--- Outside Operating Range

Exact compressor model may vary with voltages

CONDENSING UNIT MODEL	SATURATED SUCTION TEMPERATURE		AMBIENT TEMPERATURE ° F ( ° C)									
	° F	° C	85 (29.4)	90 (32.2)	95 (35.0)	100 (37.8)	105 (40.6)	110 (43.3)				
KEB029H2 Compressor Model 2FC-3.2	45 (7.2)		35910 (10514)	34680 (10154)	33450 (9794)	32230 (9437)	31030 (9086)	29830 (8734)				
	40 (4.4)		32850 (9618)	31710 (9285)	30580 (8954)	29450 (8623)	28330 (8295)	27230 (7973)				
	35 (1.7)		29960 (8772)	28910 (8465)	27860 (8157)	26820 (7853)	25790 (7551)	24780 (7256)				
	30 (-1.1)		27240 (7976)	26270 (7692)	25300 (7408)	24350 (7130)	23400 (6852)	22470 (6579)				
	25 (-3.9)		24680 (7226)	23790 (6966)	22900 (6705)	22030 (6450)	21160 (6196)	20300 (5944)				
	20 (-6.7)		22280 (6524)	21460 (6283)	20650 (6046)	19850 (5812)	19060 (5581)	18270 (5349)				
	15 (-9.4)		20040 (5868)	19290 (5648)	18550 (5431)	17810 (5215)	17090 (5004)	16370 (4793)				
	10 (-12.2)		17940 (5253)	17260 (5054)	16580 (4855)	15910 (4658)	15250 (4465)	14600 (4275)				
5 (-15.0)		15990 (4682)	15370 (4500)	14750 (4319)	14140 (4140)	13540 (3965)	12940 (3789)					
KEB030H2 Compressor Model 2EC-3.2	45 (7.2)		42070 (12318)	40610 (11891)	39160 (11466)	37720 (11044)	36290 (10626)	34870 (10210)				
	40 (4.4)		38470 (11264)	37110 (10866)	35760 (10471)	34420 (10078)	33080 (9686)	31760 (9299)				
	35 (1.7)		35070 (10268)	33810 (9900)	32550 (9531)	31300 (9165)	30050 (8799)	28820 (8438)				
	30 (-1.1)		31860 (9329)	30690 (8986)	29520 (8643)	28360 (8304)	27200 (7964)	26050 (7627)				
	25 (-3.9)		28850 (8447)	27760 (8128)	26670 (7809)	25590 (7493)	24520 (7179)	23450 (6866)				
	20 (-6.7)		26020 (7619)	25010 (7323)	24000 (7027)	23000 (6734)	22000 (6442)	21000 (6149)				
	15 (-9.4)		23380 (6846)	22440 (6570)	21500 (6295)	20570 (6023)	19640 (5751)	18710 (5478)				
	10 (-12.2)		20910 (6122)	20040 (5868)	19170 (5613)	18300 (5358)	17430 (5104)	16570 (4852)				
5 (-15.0)		18610 (5449)	17800 (5212)	16990 (4975)	16180 (4738)	15370 (4500)	14570 (4266)					
KEB035H2 Compressor Model 2DC-3.2	45 (7.2)		51270 (15012)	49490 (14491)	47720 (13972)	45970 (13460)	44220 (12948)	42490 (12441)				
	40 (4.4)		46840 (13715)	45190 (13232)	43540 (12749)	41900 (12268)	40270 (11791)	38660 (11320)				
	35 (1.7)		42660 (12491)	41130 (12043)	39600 (11595)	38070 (11147)	36550 (10702)	35050 (10263)				
	30 (-1.1)		38730 (11340)	37310 (10924)	35880 (10506)	34460 (10090)	33050 (9677)	31660 (9270)				
	25 (-3.9)		35040 (10260)	33720 (9873)	32400 (9487)	31080 (9100)	29770 (8717)	28470 (8336)				
	20 (-6.7)		31580 (9247)	30350 (8886)	29130 (8529)	27900 (8169)	26690 (7815)	25480 (7461)				
	15 (-9.4)		28350 (8301)	27210 (7967)	26070 (7633)	24940 (7302)	23810 (6972)	22680 (6641)				
	10 (-12.2)		25330 (7417)	24280 (7109)	23220 (6799)	22170 (6491)	21120 (6184)	20070 (5876)				
5 (-15.0)		22530 (6597)	21550 (6310)	20570 (6023)	19590 (5736)	18600 (5446)	17630 (5162)					
KEB040H2 Compressor Model 2CC-4.2	45 (7.2)		60830 (17811)	58620 (17164)	56410 (16517)	54230 (15879)	52070 (15246)	49940 (14622)				
	40 (4.4)		55790 (16335)	53720 (15729)	51670 (15129)	49630 (14532)	47610 (13940)	45620 (13358)				
	35 (1.7)		51000 (14933)	49080 (14371)	47160 (13808)	45260 (13252)	43370 (12699)	41510 (12154)				
	30 (-1.1)		46480 (13609)	44680 (13082)	42900 (12561)	41130 (12043)	39370 (11528)	37630 (11018)				
	25 (-3.9)		42200 (12356)	40540 (11870)	38880 (11384)	37230 (10901)	35590 (10421)	33970 (9946)				
	20 (-6.7)		38180 (11179)	36640 (10728)	35090 (10274)	33560 (9826)	32040 (9381)	30530 (8939)				
	15 (-9.4)		34400 (10072)	32970 (9654)	31540 (9235)	30110 (8816)	28690 (8400)	27290 (7991)				
	10 (-12.2)		30870 (9039)	29540 (8649)	28210 (8260)	26880 (7870)	25560 (7484)	24250 (7100)				
5 (-15.0)		27570 (8072)	26330 (7709)	25100 (7349)	23860 (6986)	22630 (6626)	21400 (6266)					
KEB050H2 Compressor Model 4FC-5.2	45 (7.2)		71990 (21079)	69590 (20376)	67180 (19670)	64770 (18965)	62370 (18262)	59970 (17559)				
	40 (4.4)		65750 (19252)	63520 (18599)	61290 (17946)	59050 (17290)	56820 (16637)	54580 (15981)				
	35 (1.7)		59850 (17524)	57780 (16918)	55720 (16315)	53640 (15706)	51570 (15100)	49500 (14494)				
	30 (-1.1)		54290 (15896)	52380 (15337)	50470 (14778)	48550 (14215)	46630 (13653)	44710 (13091)				
	25 (-3.9)		49070 (14368)	47300 (13849)	45530 (13331)	43760 (12813)	41980 (12292)	40200 (11771)				
	20 (-6.7)		44160 (12930)	42530 (12453)	40900 (11976)	39260 (11495)	37620 (11015)	35980 (10535)				
	15 (-9.4)		39580 (11589)	38070 (11147)	36560 (10705)	35050 (10263)	33530 (9818)	32020 (9375)				
	10 (-12.2)		35300 (10336)	33910 (9929)	32510 (9519)	31110 (9109)	29710 (8699)	28310 (8289)				
5 (-15.0)		31310 (9168)	30030 (8793)	28740 (8415)	27440 (8034)	26150 (7657)	24850 (7276)					
KEB060H2 Compressor Model 4EC-6.2	45 (7.2)		85120 (24923)	82160 (24056)	79200 (23190)	76230 (22320)	73260 (21451)	70290 (20581)				
	40 (4.4)		77990 (22835)	75240 (22030)	72490 (21225)	69730 (20417)	66970 (19609)	64200 (18798)				
	35 (1.7)		71230 (20856)	68680 (20110)	66120 (19360)	63560 (18610)	60990 (17858)	58420 (17105)				
	30 (-1.1)		64830 (18982)	62460 (18288)	60090 (17594)	57710 (16897)	55330 (16201)	52940 (15501)				
	25 (-3.9)		58780 (17211)	56590 (16570)	54400 (15928)	52190 (15281)	49980 (14634)	47760 (13984)				
	20 (-6.7)		53090 (15545)	51070 (14953)	49040 (14359)	46990 (13759)	44940 (13158)	42890 (12558)				
	15 (-9.4)		47750 (13981)	45880 (13434)	43990 (12880)	42100 (12327)	40200 (11771)	38290 (11211)				
	10 (-12.2)		42750 (12517)	41010 (12008)	39270 (11498)	37510 (10983)	35750 (10468)	33970 (9946)				
5 (-15.0)		38070 (11147)	36470 (10678)	34850 (10204)	33220 (9727)	31580 (9247)	29930 (8764)					
KEB075H2 Compressor Model 4DC-7.2	45 (7.2)		99500 (29134)	96040 (28121)	92570 (27104)	89110 (26091)	85650 (25078)	82180 (24062)				
	40 (4.4)		91390 (26759)	88170 (25816)	84940 (24870)	81720 (23928)	78500 (22985)	75270 (22039)				
	35 (1.7)		83650 (24493)	80660 (23617)	77670 (22742)	74670 (21863)	71680 (20988)	68680 (20110)				
	30 (-1.1)		76290 (22338)	73520 (21527)	70750 (20716)	67970 (19902)	65190 (19088)	62410 (18274)				
	25 (-3.9)		69310 (20294)	66740 (19541)	64180 (18792)	61600 (18036)	59030 (17284)	56460 (16531)				
	20 (-6.7)		62710 (18361)	60340 (17668)	57960 (16971)	55580 (16274)	53200 (15577)	50810 (14877)				
	15 (-9.4)		56480 (16537)	54280 (15893)	52090 (15252)	49890 (14608)	47680 (13961)	45470 (13314)				
	10 (-12.2)		50620 (14822)	48600 (14230)	46560 (13633)	44530 (13038)	42490 (12441)	40440 (11841)				
5 (-15.0)		45130 (13214)	43260 (12667)	41380 (12116)	39490 (11563)	37600 (11009)	35700 (10453)					



**KEB****R404A/R507 - LOW TEMPERATURE  
CAPACITY BTU/H (WATTS)****60Hz**

CONDENSING UNIT MODEL	SATURATED SUCTION TEMPERATURE ° F ° C		AMBIENT TEMPERATURE ° F ( ° C)							
			85 (29.4)	90 (32.2)	95 (35.0)	100 (37.8)	105 (40.6)	110 (43.3)		
KEB030L6 Compressor Model 2CC-3.2Y	0 (-17.8)		26700 (7818)	25300 (7408)	23920 (7004)	22550 (6603)	21190 (6204)	19860 (5815)		
	-5 (-20.6)		23870 (6989)	22600 (6617)	21350 (6251)	20110 (5888)	18890 (5531)	17680 (5177)		
	-10 (-23.3)		21190 (6204)	20050 (5871)	18920 (5540)	17800 (5212)	16700 (4890)	15610 (4571)		
	-15 (-26.1)		18670 (5467)	17640 (5165)	16620 (4866)	15620 (4574)	14630 (4284)	13650 (3997)		
	-20 (-28.9)		16310 (4776)	15390 (4506)	14470 (4237)	13570 (3973)	12670 (3710)	11790 (3452)		
	-25 (-31.7)		14110 (4131)	13280 (3888)	12450 (3645)	11640 (3408)	10830 (3171)	10040 (2940)		
	-30 (-34.4)		12070 (3534)	11320 (3314)	10580 (3098)	9840 (2881)	9110 (2667)	8400 (2460)		
	-35 (-37.2)		10190 (2984)	9510 (2785)	8830 (2585)	8160 (2389)	7500 (2196)	6840 (2003)		
	-40 (-40.0)		8470 (2480)	7840 (2296)	7210 (2111)	6600 (1932)	5990 (1754)	5390 (1578)		
KEB031L6 Compressor Model 4FC-3.2Y	0 (-17.8)		29100 (8520)	27660 (8099)	26230 (7688)	24820 (7267)	23410 (6854)	22020 (6447)		
	-5 (-20.6)		26060 (7630)	24750 (7247)	23460 (6869)	22180 (6494)	20910 (6122)	19660 (5756)		
	-10 (-23.3)		23180 (6787)	22000 (6442)	20840 (6102)	19680 (5762)	18540 (5429)	17410 (5098)		
	-15 (-26.1)		20470 (5994)	19400 (5680)	18350 (5373)	17320 (5071)	16300 (4773)	15290 (4477)		
	-20 (-28.9)		17920 (5247)	16960 (4966)	16020 (4691)	15090 (4418)	14180 (4152)	13280 (3888)		
	-25 (-31.7)		15540 (4550)	14680 (4298)	13830 (4049)	13000 (3806)	12190 (3569)	11380 (3332)		
	-30 (-34.4)		13320 (3900)	12540 (3672)	11790 (3452)	11040 (3233)	10310 (3019)	9600 (2811)		
	-35 (-37.2)		11250 (3294)	10560 (3092)	9880 (2893)	9210 (2697)	8550 (2503)	7910 (2316)		
	-40 (-40.0)		9350 (2738)	8720 (2553)	8100 (2372)	7490 (2193)	6910 (2023)	6330 (1853)		
KEB039L6 Compressor Model 4EC-4.2Y	0 (-17.8)		36360 (10646)	34500 (10102)	32660 (9563)	30850 (9033)	29060 (8509)	27300 (7993)		
	-5 (-20.6)		32630 (9554)	30940 (9059)	29280 (8573)	27640 (8093)	26020 (7619)	24420 (7150)		
	-10 (-23.3)		29100 (8520)	27570 (8072)	26070 (7633)	24590 (7200)	23140 (6775)	21700 (6354)		
	-15 (-26.1)		25770 (7545)	24400 (7144)	23040 (6746)	21720 (6360)	20410 (5976)	19120 (5598)		
	-20 (-28.9)		22650 (6632)	21420 (6272)	20200 (5915)	19010 (5566)	17840 (5224)	16690 (4887)		
	-25 (-31.7)		19730 (5777)	18620 (5452)	17530 (5133)	16470 (4822)	15420 (4515)	14390 (4213)		
	-30 (-34.4)		17010 (4981)	16020 (4691)	15040 (4404)	14080 (4123)	13140 (3847)	12220 (3578)		
	-35 (-37.2)		14490 (4243)	13590 (3979)	12710 (3721)	11850 (3470)	11010 (3224)	10190 (2984)		
	-40 (-40.0)		12150 (3558)	11340 (3320)	10550 (3089)	9770 (2861)	9010 (2638)	8260 (2419)		
KEB050L6 Compressor Model 4DC-5.2Y	0 (-17.8)		45220 (13240)	43020 (12596)	40850 (11961)	38690 (11328)	36560 (10705)	34440 (10084)		
	-5 (-20.6)		40450 (11844)	38470 (11264)	36500 (10687)	34560 (10119)	32630 (9554)	30730 (8998)		
	-10 (-23.3)		35960 (10529)	34180 (10008)	32410 (9490)	30660 (8977)	28930 (8471)	27220 (7970)		
	-15 (-26.1)		31750 (9296)	30140 (8825)	28560 (8362)	26990 (7903)	25450 (7452)	23920 (7004)		
	-20 (-28.9)		27810 (8143)	26370 (7721)	24950 (7305)	23550 (6895)	22170 (6491)	20810 (6093)		
	-25 (-31.7)		24140 (7068)	22850 (6690)	21580 (6319)	20330 (5953)	19100 (5592)	17900 (5241)		
	-30 (-34.4)		20730 (6070)	19570 (5730)	18440 (5399)	17320 (5071)	16230 (4752)	15160 (4439)		
	-35 (-37.2)		17580 (5147)	16540 (4843)	15520 (4544)	14520 (4251)	13540 (3965)	12590 (3686)		
	-40 (-40.0)		14670 (4295)	13730 (4020)	12810 (3751)	11910 (3487)	11030 (3230)	10170 (2978)		
KEB060L6 Compressor Model 4CC-6.2Y	0 (-17.8)		52670 (15422)	49980 (14634)	47330 (13858)	44720 (13094)	42160 (12344)	39640 (11607)		
	-5 (-20.6)		47380 (13873)	44940 (13158)	42550 (12459)	40190 (11768)	37880 (11091)	35610 (10427)		
	-10 (-23.3)		42350 (12400)	40150 (11756)	38000 (11126)	35890 (10509)	33810 (9900)	31780 (9305)		
	-15 (-26.1)		37600 (11009)	35620 (10430)	33690 (9864)	31800 (9311)	29940 (8766)	28130 (8236)		
	-20 (-28.9)		33110 (9695)	31350 (9179)	29620 (8673)	27930 (8178)	26280 (7695)	24660 (7220)		
	-25 (-31.7)		28910 (8465)	27330 (8002)	25790 (7551)	24280 (7109)	22820 (6682)	21380 (6260)		
	-30 (-34.4)		24980 (7314)	23570 (6901)	22190 (6497)	20850 (6105)	19550 (5724)	18280 (5352)		
	-35 (-37.2)		21320 (6242)	20060 (5874)	18820 (5510)	17630 (5162)	16470 (4822)	15340 (4492)		
	-40 (-40.0)		17920 (5247)	16790 (4916)	15680 (4591)	14610 (4278)	13570 (3973)	12550 (3675)		

CONDENSING UNIT MODEL	COMPRESSOR MODEL NO.	POWER SUPPLY	COMPRESSOR		CONDENSER FAN MOTOR		TOTAL AMPS	MCA	MOP	
			RLA	LRA	QTY	FLA				
KEA030H2	-HS3	ERF2-0310-CAB	230/1/60	17.0	86.0	1	2.1	19.1	23.4	40
	-HT3	ERF1-0310-TAC	208-230/3/60	11.7	82.0	1	1.1	12.8	15.7	25
	-HT4	ERF1-0310-TAD	460/3/60	6.4	41.0	1	0.9	7.3	8.9	15
KEA040H2	-HT3	NRB2-0400-TFC	208-230/3/60	21.8	141.0	1	2.1	22.9	28.4	50
	-HT4	NRB2-0400-TFD	460/3/60	11.3	62.5	1	0.9	12.2	15.0	25
KEA050H2	-HS3	2DC3-0500-CFB	230/1/60	29.9	125.0	1	2.1	32.0	39.5	60
	-HT3	2DC3-0500-TFC	208-230/3/60	22.3	120.0	1	2.1	24.4	30.0	50
	-HT4	2DC3-0500-TFD	460/3/60	10.4	60.0	1	1.1	11.5	14.1	20
	-HT5	2DC3-0500-TFE	575/3/60	7.7	49.0	1	0.9	8.6	10.5	15
KEA051H2	-HT3	2DD3-0500-TFC	208-230/3/60	22.3	120.0	1	2.1	24.4	30.0	50
	-HT4	2DD3-0500-TFD	460/3/60	10.5	60.0	1	1.1	11.6	14.2	20
	-HT5	2DD3-0500-TFE	575/3/60	7.9	49.0	1	0.9	8.8	10.8	15
KEA075H2	-HT3	2DL3-0750-TFC	208-230/3/60	31.6	169.0	1	2.1	33.7	41.6	70
	-HT4	2DL3-0750-TFD	460/3/60	13.8	85.0	1	1.1	14.9	18.4	30
	-HT5	2DL3-0750-TFE	575/3/60	13.2	67.0	1	0.9	14.1	17.4	30
KEA076H2	-HT3	2DA3-0750-TFC	208-230/3/60	32.0	169.0	1	2.1	34.1	42.1	70
	-HT4	2DA3-0750-TFD	460/3/60	14.1	85.0	1	1.1	15.2	18.7	30
	-HT5	2DA3-0750-TFE	575/3/60	13.3	67.0	1	0.9	14.2	17.5	30
KEA030M2	-HS3	3RA2-0310-CAB	230/1/60	17.8	86.0	1	2.1	19.9	24.4	40
	-HT3	3RA1-0310-TAC	208-230/3/60	13.1	82.0	1	2.1	15.2	18.5	30
	-HT4	3RA1-0310-TAD	460/3/60	6.6	41.0	1	1.1	7.7	9.4	15
KEA050M2	-HT3	NRM1-0500-TFC	208-230/3/60	24.3	141.0	1	2.1	26.4	32.5	50
	-HT4	NRM1-0500-TFD	460/3/60	12.1	62.5	1	1.1	13.2	16.2	25
	-HT5	NRM1-0500-TFE	575/3/60	9.2	53.4	1	0.9	10.1	12.4	20
KEA050H6	-HT3	2DC3-050E-TFC	208-230/3/60	22.3	120.0	1	2.1	24.4	30.0	50
	-HT4	2DC3-050E-TFD	460/3/60	10.4	60.0	1	1.1	11.5	14.1	20
	-HT5	2DC3-050E-TFE	575/3/60	7.7	49.0	1	0.9	8.6	10.5	15
KEA051H6	-HT3	2DD3-050E-TFC	208-230/3/60	22.3	120.0	1	2.1	24.4	30.0	50
	-HT4	2DD3-050E-TFD	460/3/60	10.5	60.0	1	1.1	11.6	14.2	20
	-HT5	2DD3-050E-TFE	575/3/60	7.9	49.0	1	0.9	8.8	10.8	15
KEA075H6	-HT3	2DL3-075E-TFC	208-230/3/60	31.6	169.0	1	2.1	33.7	41.6	70
	-HT4	2DL3-075E-TFD	460/3/60	13.8	85.0	1	1.1	14.9	18.4	30
	-HT5	2DL3-075E-TFE	575/3/60	13.2	67.0	1	0.9	14.1	17.4	30
KEA076H6	-HT3	2DA3-075E-TFC	208-230/3/60	32.0	169.0	1	2.1	34.1	42.1	70
	-HT4	2DA3-075E-TFD	460/3/60	14.1	85.0	1	1.1	15.2	18.7	30
	-HT5	2DA3-075E-TFE	575/3/60	13.3	67.0	1	0.9	14.2	17.5	30

Exact compressor model may vary with voltages  
MCA = Minimum Circuit Ampacity  
MOP = Maximum Overcurrent Protection

CONDENSING UNIT MODEL	COMPRESSOR MODEL NO.	POWER SUPPLY	COMPRESSOR		CONDENSER FAN MOTOR		TOTAL AMPS	MCA	MOP	
			RLA	LRA	QTY	FLA				
KEA030M6	-HS3	ERFB-031E-CAB	230/1/60	17.0	86.0	1	2.1	19.1	23.4	40
	-HT3	ERFA-031E-TAC	208-230/3/60	12.4	82.0	1	2.1	14.5	17.6	30
	-HT4	ERFA-031E-TAD	460/3/60	5.8	41.0	1	1.1	6.9	8.4	15
KEA035M6	-HT3	3RAA-031E-TAC	208-230/3/60	14.2	82.0	1	2.1	16.3	19.9	30
	-HT4	3RAA-031E-TAD	460/3/60	6.3	41.0	1	1.1	7.4	9.0	15
KEA040M6	-HT3	NRB2-040E-TFC	208-230/3/60	21.8	141.0	1	2.1	23.9	29.4	50
	-HT4	NRB2-040E-TFD	460/3/60	9.0	62.5	1	1.1	10.1	12.4	20
KEA030L6	-HS3	LAHB-032E-CAB	230/1/60	16.7	105.0	1	2.1	18.8	23.0	35
	-HT3	LAHA-032E-TAC	208-230/3/60	12.8	112.0	1	2.1	14.9	18.1	30
	-HT4	LAHA-032E-TAD	460/3/60	6.0	56.0	1	1.1	7.1	8.6	15
	-HT5	LAHA-032E-TAE	575/3/60	4.1	30.0	1	0.9	5.0	6.0	15
KEA031L6	-HS3	NRD1-040E-CFB	230/1/60	27.7	115.0	1	2.1	29.8	36.7	60
	-HT3	NRD1-032E-TFC	208-230/3/60	16.3	82.0	1	2.1	18.4	22.5	35
	-HT4	NRD1-032E-TFD	460/3/60	8.4	41.0	1	1.1	9.5	11.6	20
KEA032L6	-HS3	LACB-032E-CAB	230/1/60	15.5	105.0	1	2.1	17.6	21.5	35
	-HT3	LACA-032E-TAC	208-230/3/60	12.8	112.0	1	2.1	14.9	18.1	30
	-HT4	LACA-032E-TAD	460/3/60	6.0	56.0	1	1.1	7.1	8.6	15
KEA035L6	-HT3	2DF3-030E-TFC	208-230/3/60	16.8	102.0	1	2.1	18.9	23.1	35
	-HT4	2DF3-030E-TFD	460/3/60	8.1	52.0	1	1.1	9.2	11.2	15
	-HT5	2DF3-030E-TFE	575/3/60	6.7	41.0	1	0.9	7.6	9.3	15
KEA040L6	-HT3	2DL3-040E-TFC	208-230/3/60	26.3	161.0	1	2.1	28.4	35.0	60
	-HT4	2DL3-040E-TFD	460/3/60	10.2	60.0	1	1.1	11.3	13.9	20
	-HT5	2DL3-040E-TFE	575/3/60	7.7	49.0	1	0.9	8.6	10.5	15
KEA060L6	-HT3	2DB3-060E-TFC	208-230/3/60	28.2	161.0	1	2.1	30.3	37.4	60
	-HT4	2DB3-060E-TFD	460/3/60	13.3	80.0	1	1.1	14.4	17.7	30
	-HT5	2DB3-060E-TFE	575/3/60	9.6	63.0	1	0.9	10.5	12.9	20
KEA061L6	-HT3	3DA3A060E-TFC	208-230/3/60	30.3	150.0	1	2.1	32.4	40.0	70
	-HT4	3DA3A060E-TFD	460/3/60	13.7	77.0	1	1.1	14.8	18.2	30
	-HT5	3DA3A060E-TFE	575/3/60	10.5	62.0	1	0.9	11.4	14.0	20
KEA075L6	-HT3	3DB3A075E-TFC	208-230/3/60	31.5	161.0	1	2.1	33.6	41.5	70
	-HT4	3DB3A075E-TFD	460/3/60	16.1	83.0	1	1.1	17.2	21.2	35
	-HT5	3DB3A075E-TFE	575/3/60	11.0	67.0	1	0.9	11.9	14.7	25

Exact compressor model may vary with voltages  
MCA = Minimum Circuit Ampacity  
MOP = Maximum Overcurrent Protection

CONDENSING UNIT MODEL	COMPRESSOR MODEL NO.	POWER SUPPLY	COMPRESSOR		CONDENSER FAN MOTOR		TOTAL AMPS	MCA	MOP
			RLA	LRA	QTY	FLA			
KEB029H2	2FC-3.2	208-230/3/60	11.5	60.0	1	2.1	13.6	16.5	25
		460/3/60	5.5	27.5	1	1.1	6.6	8.0	15
		575/3/60	4.5	19.0	1	0.9	5.4	6.5	15
KEB030H2	2EC-3.2	208-230/1/60	24.0	109.0	1	2.1	26.1	32.1	50
		208-230/3/60	14.2	97.0	1	2.1	16.3	19.9	30
		460/3/60	6.7	39.5	1	1.1	7.8	9.5	15
		575/3/60	5.4	28.5	1	0.9	6.3	7.7	15
KEB035H2	2DC-3.2	208-230/1/60	25.0	113.0	1	2.1	27.1	33.4	50
		208-230/3/60	15.5	97.0	1	2.1	17.6	21.5	35
		460/3/60	7.5	39.5	1	1.1	8.6	10.5	15
		575/3/60	5.2	28.5	1	0.9	6.1	7.4	15
KEB040H2	2CC-4.2	208-230/3/60	18.5	115.5	1	2.1	20.6	25.2	40
		460/3/60	8.3	47.5	1	1.1	9.4	11.5	20
		575/3/60	6.7	34.0	1	0.9	7.6	9.3	15
KEB050H2	4FC-5.2	208-230/3/60	24.5	163.0	1	2.1	26.6	32.7	50
		460/3/60	13.5	66.5	1	1.1	14.6	18.0	30
		575/3/60	9.0	48.0	1	0.9	9.9	12.2	20
KEB060H2	4EC-6.2	208-230/3/60	28.5	163.0	1	2.1	30.6	37.7	60
		460/3/60	13.8	66.5	1	1.1	14.9	18.4	30
		575/3/60	9.6	48.0	1	0.9	10.5	12.9	20
KEB075H2	4DC-7.2	208-230/3/60	31.5	215.0	1	2.1	33.6	41.5	70
		460/3/60	15.5	88.0	1	1.1	16.6	20.5	35
		575/3/60	11.3	63.5	1	0.9	12.2	15.0	25
KEB029H6	2FC-3.2Y	208-230/3/60	11.5	60.0	1	2.1	13.6	16.5	25
		460/3/60	5.5	27.5	1	1.1	6.6	8.0	15
		575/3/60	4.5	19.0	1	0.9	5.4	6.5	15
KEB030H6	2EC-3.2Y	208-230/1/60	24.0	109.0	1	2.1	26.1	32.1	50
		208-230/3/60	14.2	97.0	1	2.1	16.3	19.9	30
		460/3/60	6.7	39.5	1	1.1	7.8	9.5	15
		575/3/60	5.4	28.5	1	0.9	6.3	7.7	15
KEB035H6	2DC-3.2Y	208-230/1/60	25.0	113.0	1	2.1	27.1	33.4	50
		208-230/3/60	15.5	97.0	1	2.1	17.6	21.5	35
		460/3/60	7.5	39.5	1	1.1	8.6	10.5	15
		575/3/60	5.2	28.5	1	0.9	6.1	7.4	15
KEB040H6	2CC-4.2Y	208-230/3/60	18.5	115.5	1	2.1	20.6	25.2	40
		460/3/60	8.3	47.5	1	1.1	9.4	11.5	20
		575/3/60	6.7	34.0	1	0.9	7.6	9.3	15
KEB050H6	4FC-5.2Y	208-230/3/60	24.5	163.0	1	2.1	26.6	32.7	50
		460/3/60	13.5	66.5	1	1.1	14.6	18.0	30
		575/3/60	9.0	48.0	1	0.9	9.9	12.2	20
KEB060H6	4EC-6.2Y	208-230/3/60	28.5	163.0	1	2.1	30.6	37.7	60
		460/3/60	13.8	66.5	1	1.1	14.9	18.4	30
		575/3/60	9.6	48.0	1	0.9	10.5	12.9	20
KEB075H6	4DC-7.2Y	208-230/3/60	31.5	215.0	1	2.1	33.6	41.5	70
		460/3/60	15.5	88.0	1	1.1	16.6	20.5	35
		575/3/60	11.3	63.5	1	0.9	12.2	15.0	25

MCA = Minimum Circuit Ampacity  
MOP = Maximum Overcurrent Protection

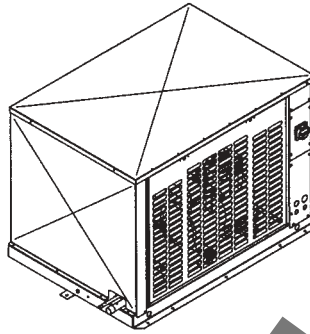
CONDENSING UNIT MODEL	COMPRESSOR MODEL NO.	POWER SUPPLY	COMPRESSOR		CONDENSER FAN MOTOR		TOTAL AMPS	MCA	MOP
			RLA	LRA	QTY	FLA			
KEB030L6	2CC-3.2Y	208-230/1/60	22.0	115.0	1	2.1	24.1	29.6	50
		208-230/3/60	13.8	97.0	1	2.1	15.9	19.4	30
		460/3/60	6.5	39.5	1	1.1	7.6	9.2	15
		575/3/60	5.2	28.5	1	0.9	6.1	7.4	15
KEB031L6	4FC-3.2Y	208-230/3/60	18.5	115.5	1	2.1	20.6	25.2	40
		460/3/60	8.2	47.5	1	1.1	9.3	11.4	20
		575/3/60	6.3	34.0	1	0.9	7.2	8.8	15
KEB039L6	4EC-4.2Y	208-230/3/60	20.5	142.0	1	2.1	22.6	27.7	45
		460/3/60	9.5	58.0	1	1.1	10.6	13.0	20
		575/3/60	7.6	51.5	1	0.9	8.5	10.4	15
KEB050L6	4DC-5.2Y	208-230/3/60	21.0	163.0	1	2.1	23.1	28.4	45
		460/3/60	11.0	66.5	1	1.1	12.1	14.9	25
		575/3/60	9.2	48.0	1	0.9	10.1	12.4	20
KEB060L6	4CC-6.2Y	208-230/3/60	25.5	215.0	1	2.1	27.6	34.0	50
		460/3/60	14.5	88.0	1	1.1	15.6	19.2	30
		575/3/60	11.5	63.5	1	0.9	12.4	15.3	25

MCA = Minimum Circuit Ampacity  
MOP = Maximum Overcurrent Protection

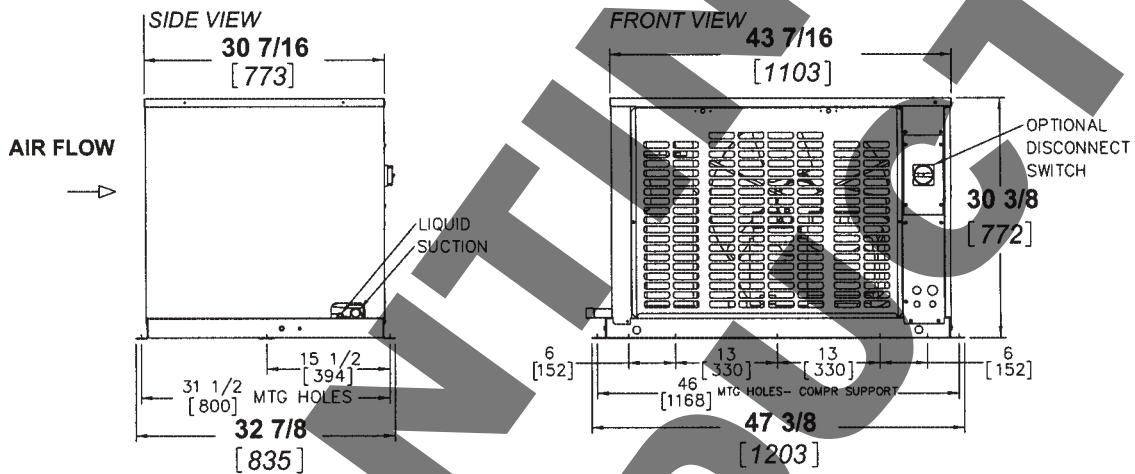
DISCONTINUED PRODUCT



# DIMENSIONS - STANDARD UNIT

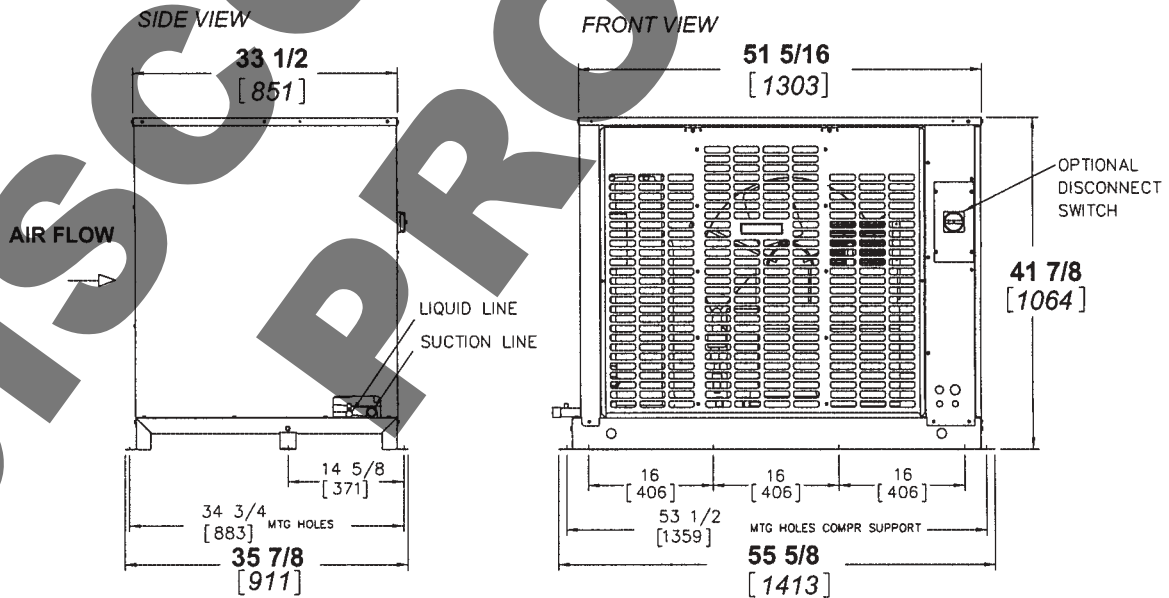


## KE\*029 TO KE\*040



OVERALL DIMENSIONS - (Inches) :  $47\text{-}3/8 \times 32\text{-}7/8 \times 30\text{-}3/8$  (mm) :  $1203 \times 834 \times 772$

## KE\*050 TO KE\*075

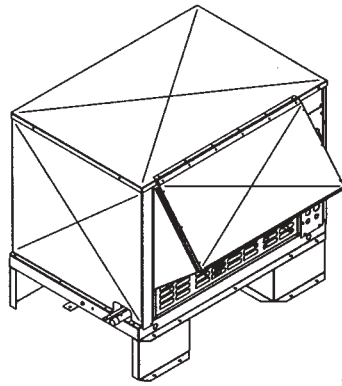


OVERALL DIMENSIONS - (Inches) :  $55\text{-}5/8 \times 35\text{-}7/8 \times 41\text{-}7/8$  (mm) :  $1413 \times 911 \times 1064$

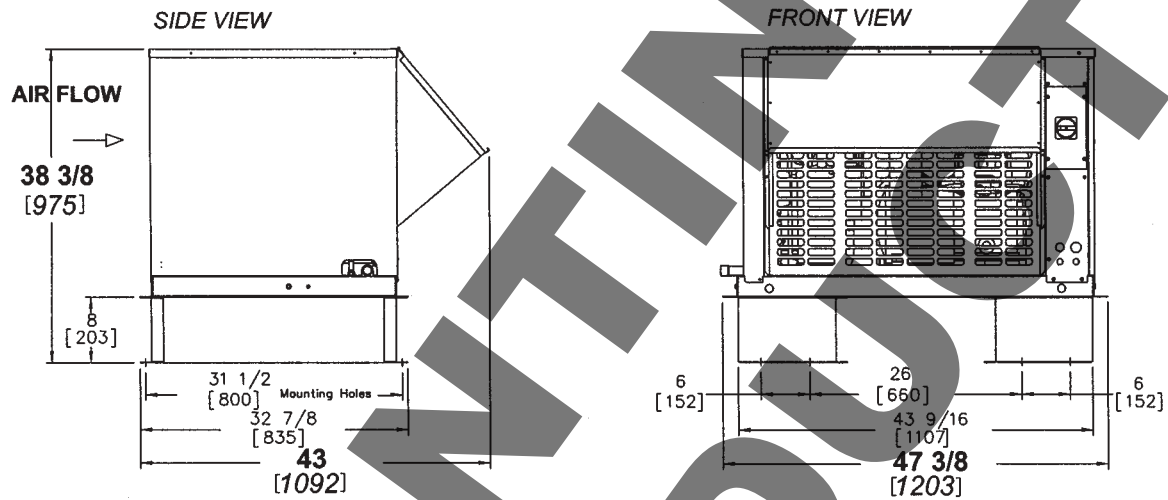
NOTE: All Mounting Holes  $7/16"$  (11.1mm) Dia.

\* Fill in appropriate alphabet; A for Copeland and B for Bitzer Octagan

# DIMENSIONS - UNIT WITH OPTIONAL LEGS AND HOOD

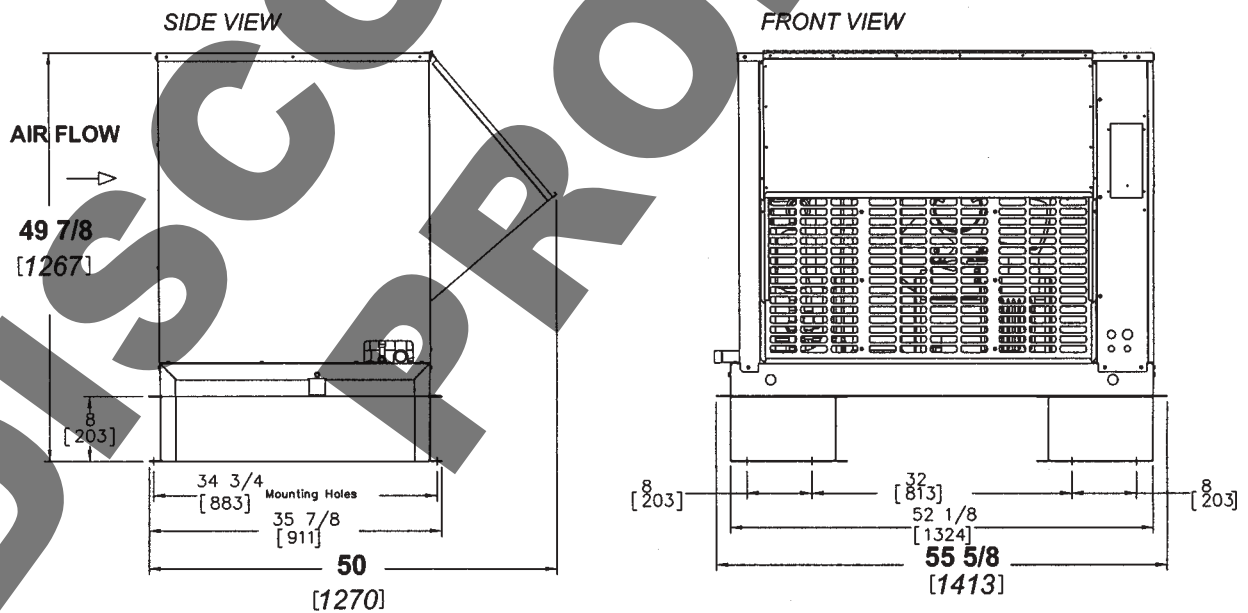


## KE\*029 TO KE\*040



OVERALL DIMENSIONS - (Inches) : 47-3/8 x 43 x 38-3/8 (mm) : 1203 x 1092 x 975

## KE\*050 TO KE\*075



OVERALL DIMENSIONS - (Inches) : 55-5/8 x 50 x 49-7/8 (mm) : 1413 x 1270 x 1267

NOTE: All Mounting Holes 7/16" (11.1mm) Dia.

\* Fill in appropriate alphabet; A for Copeland and B for Bitzer Octagan

## SPECIFICATIONS

CONDENSING UNIT MODEL	COMPRESSOR*	UNIT CONNECTIONS				RECEIVER CAPACITY 90% FULL		SHIPPING WEIGHT	
		SUCTION (OD)		LIQUID (OD)		Lbs.	Kgs	Lbs.	Kgs
		Inches	mm	Inches	mm				
KEA030H2	ERF1-0310	1 1/8	29	1/2	13	25	11	477	217
KEA040H2	NRB2-0400	1 1/8	29	1/2	13	25	11	542	246
KEA050H2	2DC3-0500	1 3/8	35	5/8	16	35	16	766	348
KEA051H2	2DD3-0500	1 3/8	35	5/8	16	35	16	769	350
KEA075H2	2DL3-0750	1 3/8	35	5/8	16	35	16	780	355
KEA076H2	2DA3-0750	1 3/8	35	5/8	16	35	16	780	355
KEA030M2	3RA1-0310	1 1/8	29	1/2	13	25	11	486	221
KEA050M2	NRM1-0500	1 1/8	29	1/2	13	35	16	738	335
KEA050H6	2DC3-050E	1 1/8	29	5/8	16	31	14	766	348
KEA051H6	2DD3-050E	1 1/8	29	5/8	16	31	14	769	350
KEA075H6	2DL3-075E	1 3/8	35	5/8	16	31	14	780	355
KEA076H6	2DA3-075E	1 3/8	35	5/8	16	31	14	780	355
KEA030M6	ERFA-031E	7/8	22	1/2	13	22	10	477	217
KEA035M6	3RAA-031E	1 1/8	29	5/8	16	22	10	487	221
KEA040M6	NRB2-040E	1 1/8	29	5/8	16	22	10	542	246
KEA030L6	LAHA-032E	1 1/8	29	1/2	13	22	10	493	224
KEA031L6	NRD1-032E	1 1/8	29	1/2	13	22	10	562	255
KEA032L6	LACA-032E	1 1/8	29	1/2	13	22	10	491	223
KEA035L6	2DF3-030E	1 1/8	29	1/2	13	22	10	588	267
KEA040L6	2DL3-040E	1 1/8	29	1/2	13	22	10	618	281
KEA060L6	2DB3-060E	1 3/8	35	5/8	16	31	14	781	355
KEA061L6	3DA3A060E	1 3/8	35	5/8	16	31	14	819	372
KEA075L6	3DB3A075E	1 3/8	35	5/8	16	31	14	827	376

\* Exact model may vary with voltages



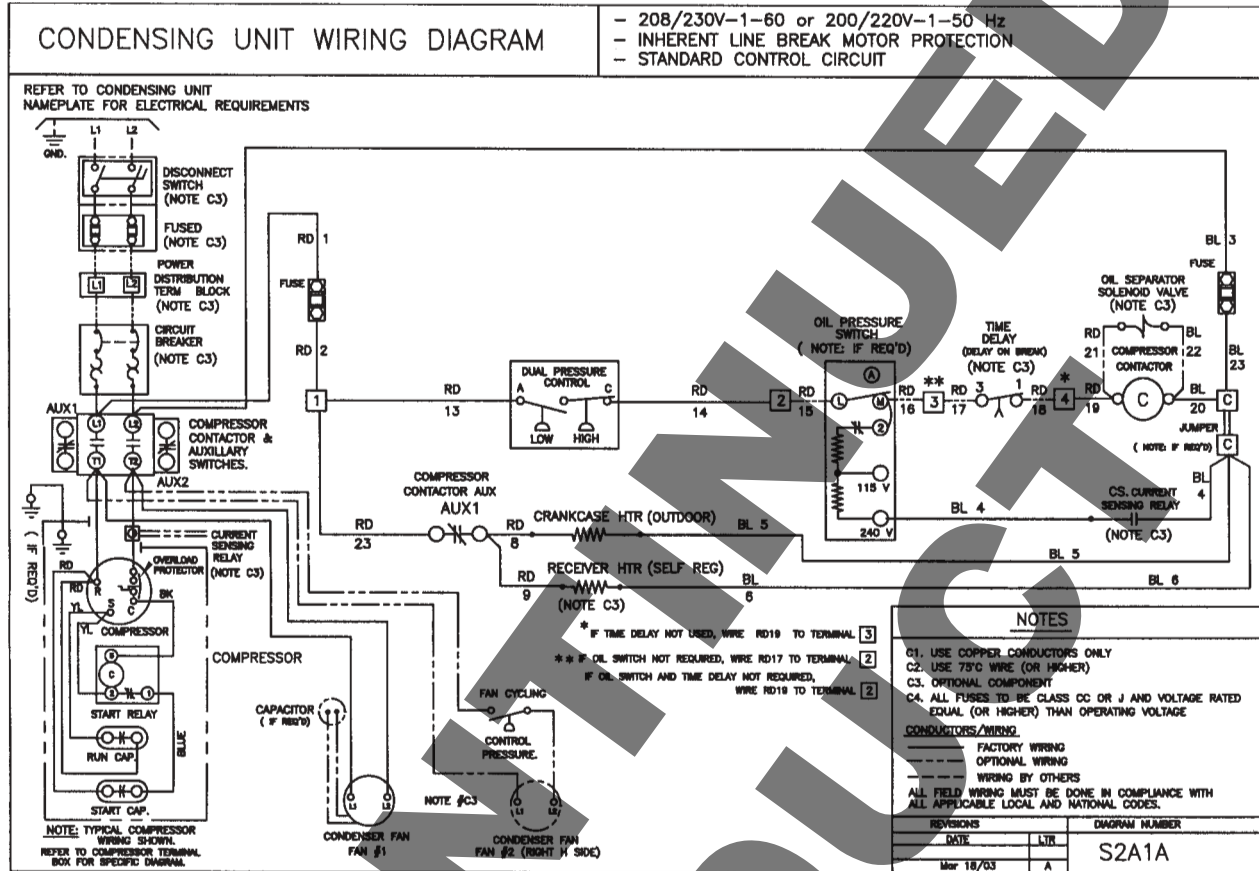
# SPECIFICATIONS

CONDENSING UNIT MODEL	COMPRESSOR*	UNIT CONNECTIONS				RECEIVER CAPACITY 90% FULL		SHIPPING WEIGHT	
		SUCTION (OD)		LIQUID (OD)		Lbs.	Kgs	Lbs.	Kgs
		Inches	mm	Inches	mm				
KEB029H2	2FC-3.2	1 1/8	29	1/2	13	25	11	386	175
KEB030H2	2EC-3.2	1 1/8	29	1/2	13	25	11	437	199
KEB035H2	2DC-3.2	1 1/8	29	1/2	13	25	11	449	204
KEB040H2	2CC-4.2	1 1/8	29	1/2	13	25	11	452	205
KEB050H2	4FC-5.2	1 3/8	35	5/8	16	35	16	648	295
KEB060H2	4EC-6.2	1 3/8	35	5/8	16	35	16	652	296
KEB075H2	4DC-7.2	1 3/8	35	5/8	16	35	16	655	298
KEB029H6	2FC-3.2Y	1 1/8	29	5/8	16	22	10	386	175
KEB030H6	2EC-3.2Y	1 1/8	29	5/8	16	22	10	437	199
KEB035H6	2DC-3.2Y	1 1/8	29	5/8	16	22	10	449	204
KEB040H6	2CC-4.2Y	1 1/8	29	5/8	16	22	10	452	205
KEB050H6	4FC-5.2Y	1 1/8	29	5/8	16	31	14	648	295
KEB060H6	4EC-6.2Y	1 3/8	35	5/8	16	31	14	652	296
KEB075H6	4DC-7.2Y	1 3/8	35	5/8	16	31	14	655	298
KEB030L6	2CC-3.2Y	1 1/8	29	1/2	13	22	10	436	198
KEB031L6	4FC-3.2Y	1 1/8	29	1/2	13	22	10	463	210
KEB039L6	4EC-4.2Y	1 1/8	29	1/2	13	22	10	479	218
KEB050L6	4DC-5.2Y	1 3/8	35	5/8	16	31	14	647	294
KEB060L6	4CC-6.2Y	1 3/8	35	5/8	16	31	14	658	299

DISCONTINUED PRODUCT

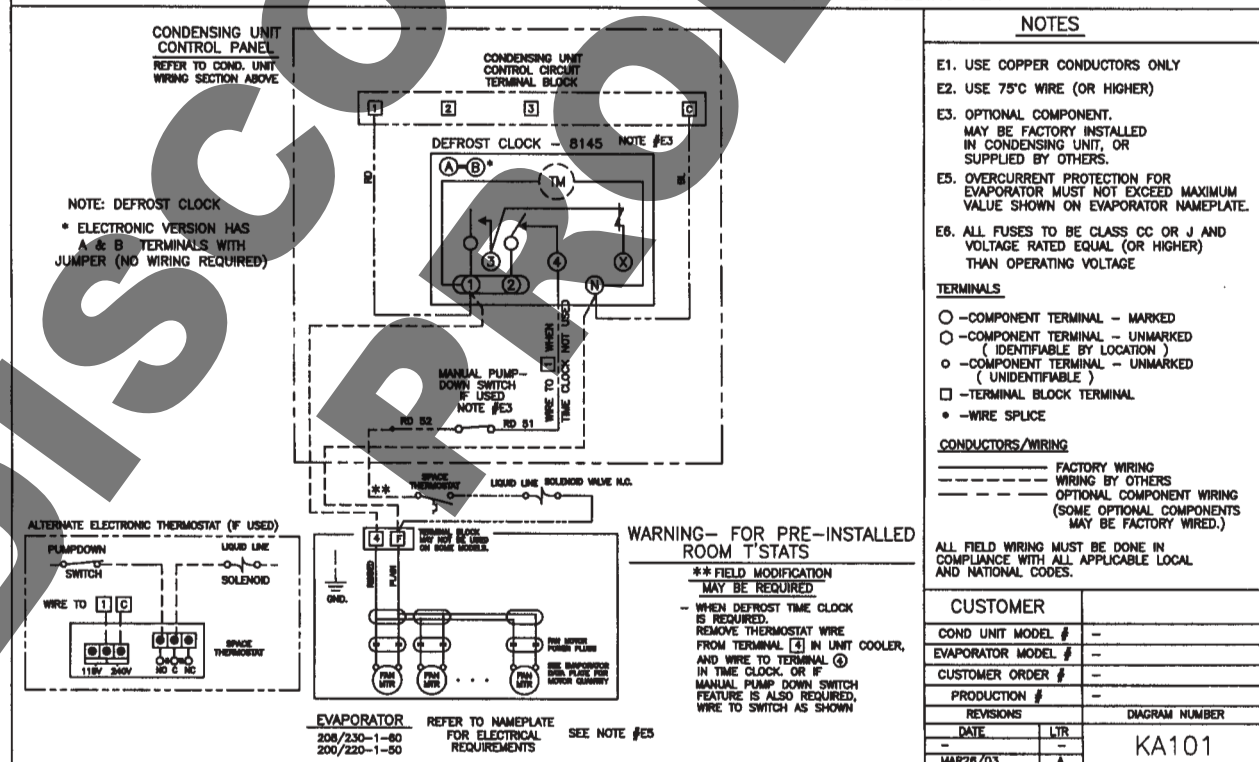
# TYPICAL SYSTEM WIRING DIAGRAM

## 208-230/1/60



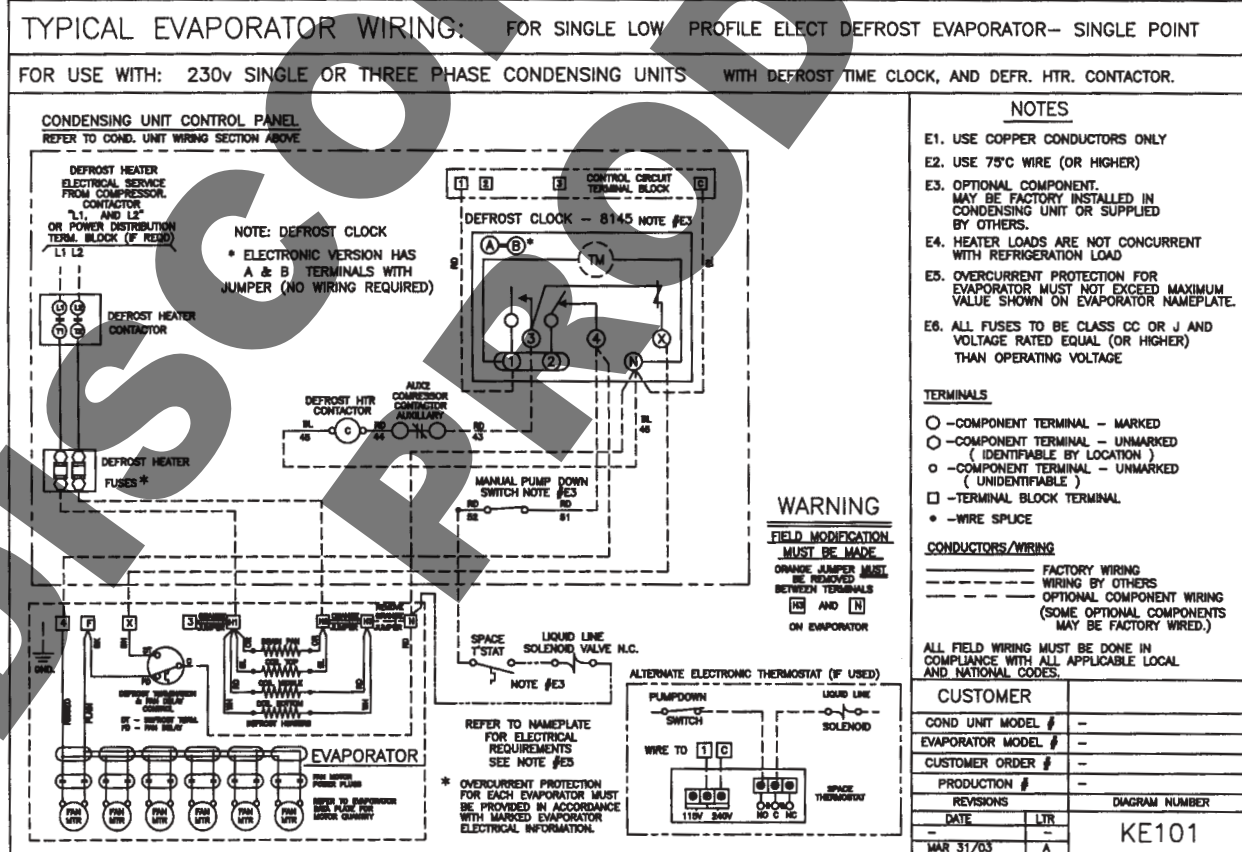
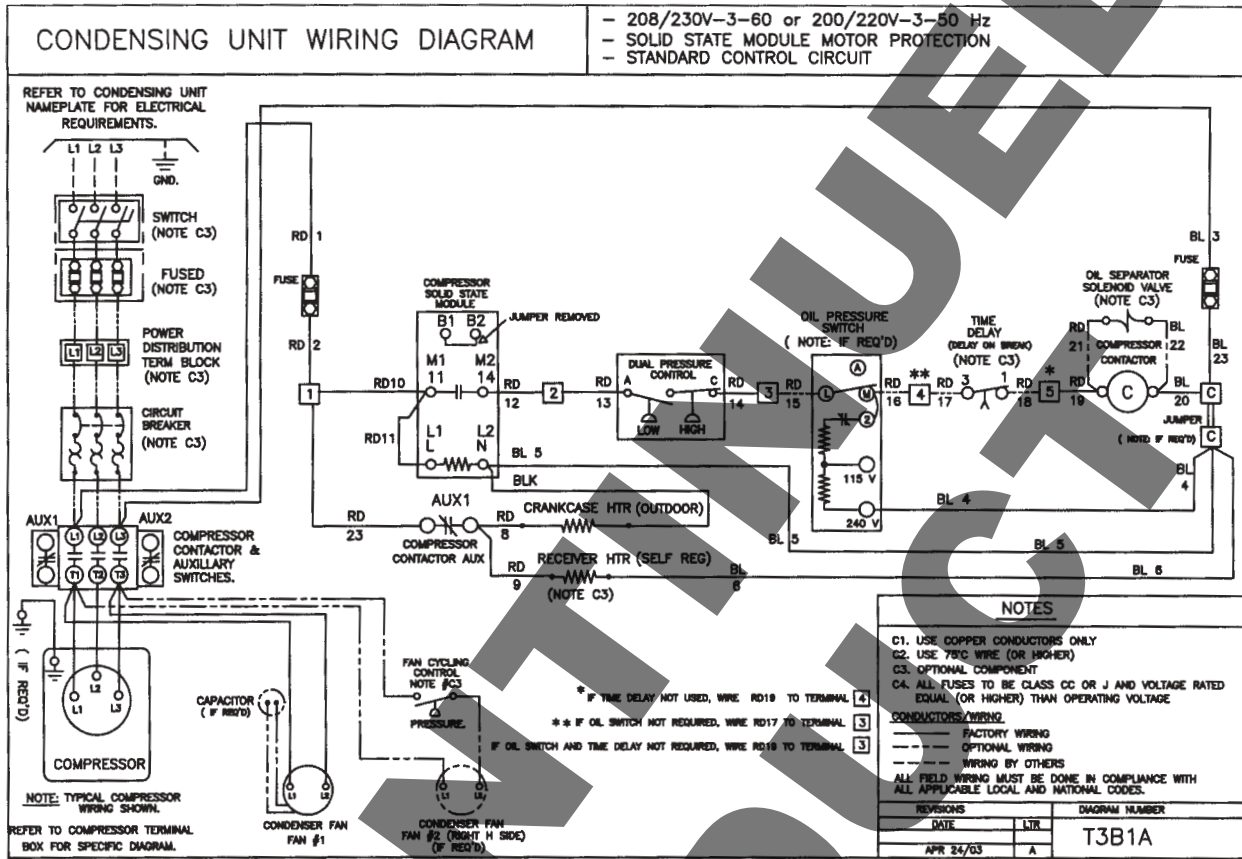
### TYPICAL EVAPORATOR WIRING: FOR SINGLE AIR DEFROST EVAPORATOR— SINGLE POINT

FOR USE WITH: 208/230-1-60, 200/220-1-50 OR 208/230-3-60, 200/220-3-50 CONDENSING UNITS  
 WITH OR WITHOUT DEFROST TIME CLOCK AND FOR TOTAL EVAP FAN AMPS NOT EXCEEDING 12A



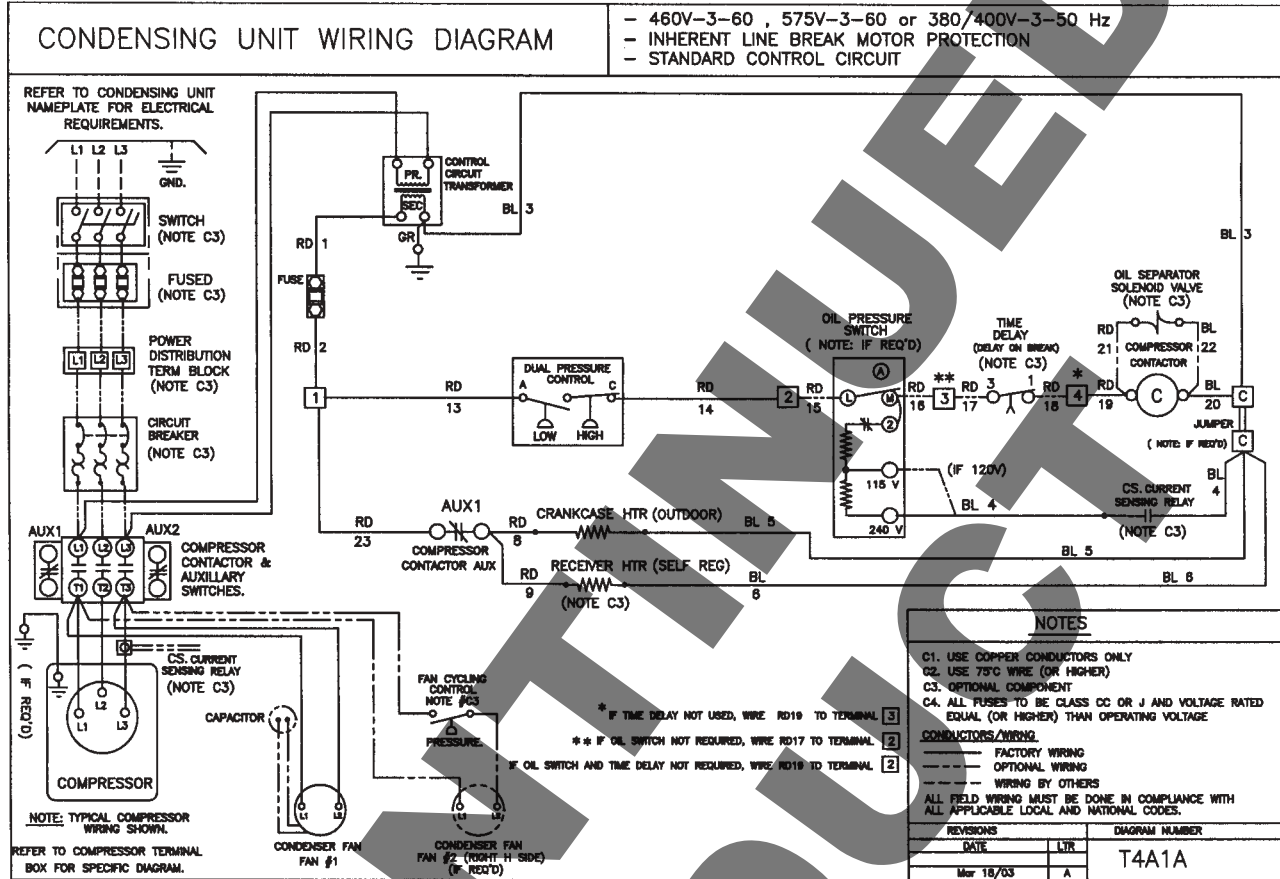
# TYPICAL SYSTEM WIRING DIAGRAM

## 208-230/3/60



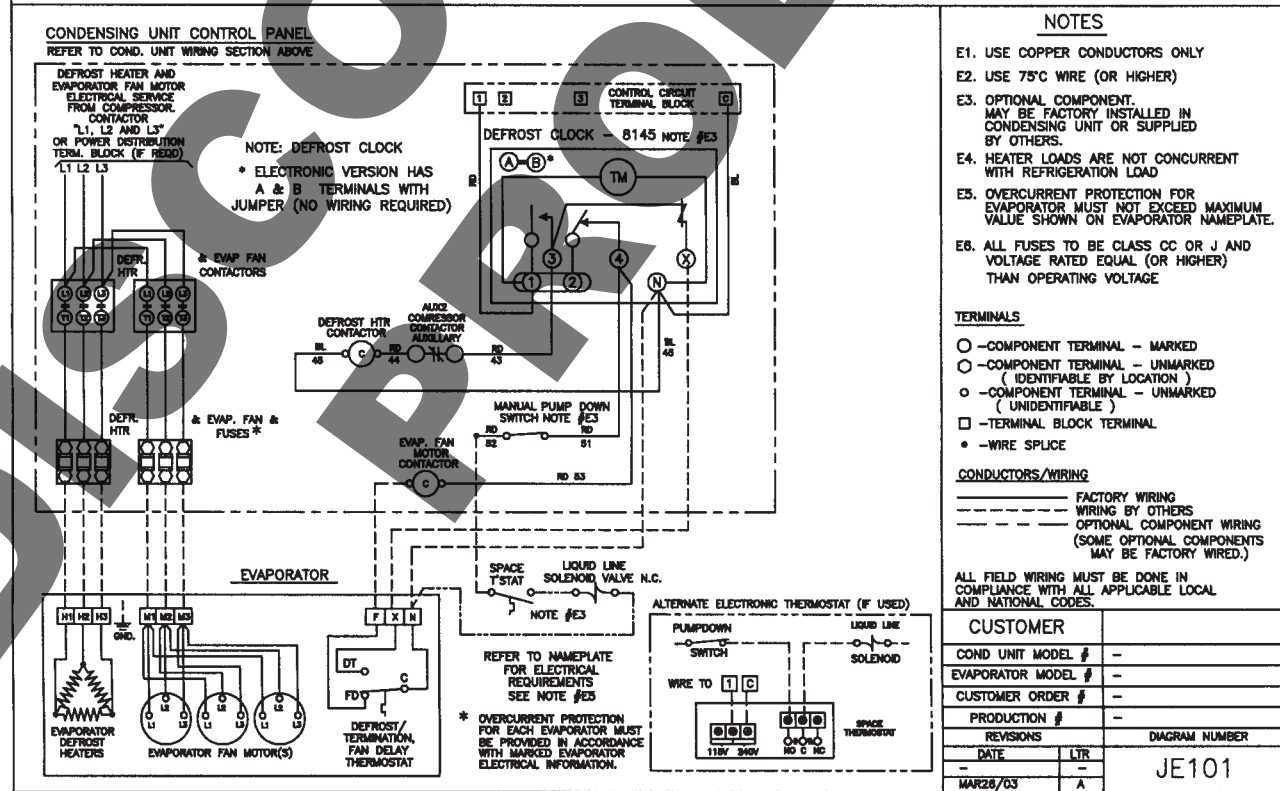
# TYPICAL SYSTEM WIRING DIAGRAM

## 460/3/60, 575/3/60



### TYPICAL EVAPORATOR WIRING: FOR SINGLE MED PROFILE ELECT DEFROST EVAPORATOR- SINGLE POINT

FOR USE WITH: THREE PHASE CONDENSING UNITS WITH DEFROST TIME CLOCK, & EVAP FAN AND DEF. HTR. CONTACTORS.



DISCONTINUED PRODUCT

System	
Model Number	Date of Start-Up
Serial Number	Service Contractor
Refrigerant	Phone
Electrical Supply	Fax



**NATIONAL REFRIGERATION & AIR CONDITIONING CANADA CORP.**

159 ROY BLVD., BRANTFORD, ONTARIO, CANADA N3T 5Y6  
PHONE: 1-800-463-9517 (519)751-0444 FAX (519)753-1140



*Due to National Refrigeration's policy of continuous product improvement, we reserve the right to make changes without notice.*