

PRICE LIST

**EFFECTIVE DATE:
01 MARCH 2024**

SUPERCEDES:
KLP-2023-1-CO2

Bulletin KLP-2024-1-C02

Part # 1090869-1-CO2



Prices are F.O.B. shipping point. Freight is allowed via lowest common carrier to nearest freight station in Canada and U.S.A. (except to Alaska or Hawaii) on shipments of \$7000 NET or more.

Shipments of less than \$7000 NET are F.O.B. shipping point and are not freight allowed.

Prices, weights and specifications subject to change without notice.

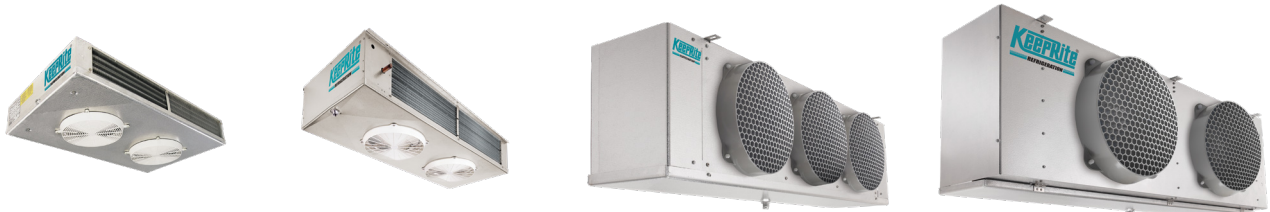
Terms: Net 30 days.

Subject to Terms and Conditions of Sale / General Warranty / Claims Procedures

MODELS FOR CO₂ SYSTEMS

INCLUDES MODELS FOR DOE & NRCAN AWEF-COMPLIANT APPLICATIONS

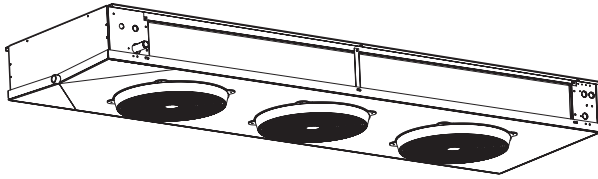
Some exceptions by voltage. See details within.



CONTENTS

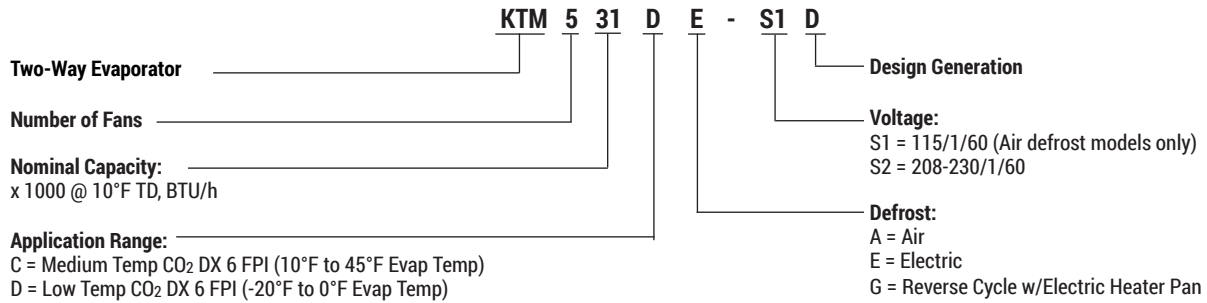
	Page
KTM Two-Way	2 - 3
KLV Low Velocity.....	4 - 7
KLP Low Profile.....	6 - 9
KMP Medium Profile.....	10 - 14
Options and Accessories.....	15
Product Support Resources: Service Parts, Troubleshooting, Warranty, etc.....	BACK

KTM-LINE, GENERATION "D" TWO WAY CO₂ EVAPORATORS



PRODUCT SUPPORT
 web: www.k-rp.com/ktm
 email: evaps@k-rp.com
 call: 1-844-893-3222 x520

NOMENCLATURE



STANDARD FEATURES

- EC motors with patented SmartSpeed® Technology
- Heavy gauge textured aluminum cabinet construction resists scratches/corrosion and minimizes weight for shipment, installation and service.
- Dual refrigeration coils with two-way air distribution reduces air velocities to minimize product dehydration.
- Air enters through fan and discharges two ways out of each coil side.
- Low height compact size usable storage space.
- Internally enhanced tube.
- Attractive and durable high-density polyethylene fan guards.
- Hinged drain pan provides convenient access for cleaning.
- Terminal board allows for easy electrical connections.
- Reduced operating charge with 3/8" OD tubing
- Factory pressure tested to 650 PSIG

SMARTSPEED™
FAN MOTOR TECHNOLOGY
STANDARD ON ALL MODELS

AVAILABLE OPTIONS

- Transducer Schrader with Service Isolation Valve
- Wire Fan Guards
- Alternate Fin Material
- Electronic expansion valve (EEV)
- Transducer for EEV
- Insulated drain pan
- Additional options available, please contact factory

KTM-LINE, GENERATION "D" TWO WAY CO₂ EVAPORATORS (cont'd)

MEDIUM TEMP. - AIR DEFROST

MODEL	VOLTAGE	\$	WEIGHT	
			lbs.	kg
KTM215CA-S1D	115/1/60	8128	116	53
KTM215CA-S2D	208-230/1/60	8547	116	53
KTM318CA-S1D	115/1/60	9291	150	68
KTM318CA-S2D	208-230/1/60	9725	150	68
KTM321CA-S1D	115/1/60	10248	157	71
KTM321CA-S2D	208-230/1/60	10696	157	71
KTM426CA-S1D	115/1/60	11014	164	75
KTM426CA-S2D	208-230/1/60	11455	164	75
KTM531CA-S1D	115/1/60	13840	198	90
KTM531CA-S2D	208-230/1/60	14366	198	90

MEDIUM TEMP. - HOT GAS DEFROST

MODEL	VOLTAGE	\$	WEIGHT	
			lbs.	kg
KTM215CG-S1D	115/1/60	10540	116	53
KTM215CG-S2D	208-230/1/60	10540	116	53
KTM318CG-S1D	115/1/60	11960	150	68
KTM318CG-S2D	208-230/1/60	11960	150	68
KTM321CG-S1D	115/1/60	13252	157	71
KTM321CG-S2D	208-230/1/60	13252	157	71
KTM426CG-S1D	115/1/60	14140	164	75
KTM426CG-S2D	208-230/1/60	14140	164	75
KTM531CG-S1D	115/1/60	17759	198	90
KTM531CG-S2D	208-230/1/60	17759	198	90

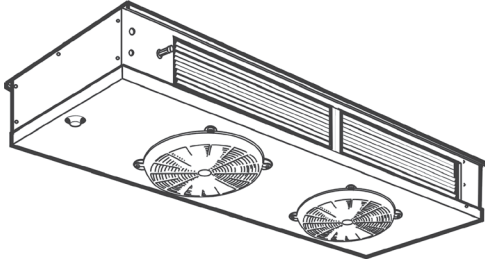
MEDIUM TEMP. - ELECTRIC DEFROST

MODEL	VOLTAGE	\$	WEIGHT	
			lbs.	kg
KTM215CE-S2D	208-230/1/60	10383	116	53
KTM318CE-S2D	208-230/1/60	11135	150	68
KTM321CE-S2D	208-230/1/60	12195	157	71
KTM426CE-S2D	208-230/1/60	14098	164	75
KTM531CE-S2D	208-230/1/60	18016	198	90

LOW TEMP. - ELECTRIC DEFROST

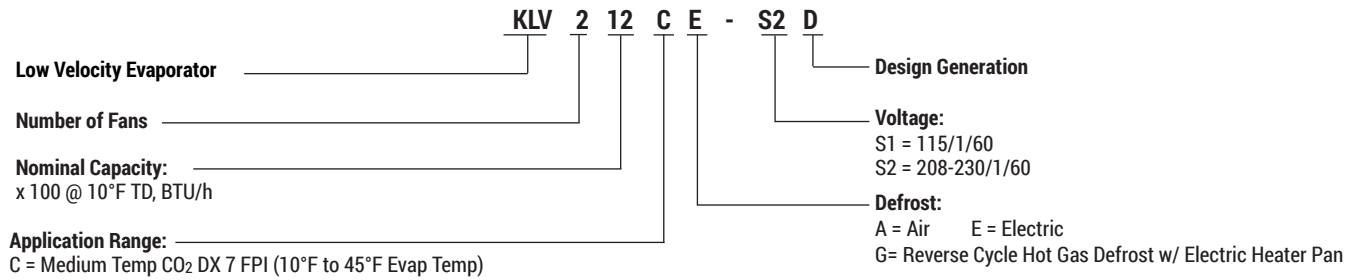
MODEL	VOLTAGE	\$	WEIGHT	
			lbs.	kg
KTM215DE-S2D	208-230/1/60	10998	110	50
KTM315DE-S2D	208-230/1/60	12207	150	68
KTM318DE-S2D	208-230/1/60	13398	157	71
KTM422DE-S2D	208-230/1/60	16107	164	75
KTM526DE-S2D	208-230/1/60	19514	198	90

KLV-LINE, GENERATION "D" LOW VELOCITY CO₂ EVAPORATORS



PRODUCT SUPPORT
 web: www.k-rp.com/klv
 email: evaps@k-rp.com
 call: 1-844-893-3222 x520

NOMENCLATURE



STANDARD FEATURES

- EC motors with patented SmartSpeed® Technology.
- Heavy gauge textured aluminum cabinet construction resists scratches/corrosion and minimizes weight for shipment, installation and service.
- Specially designed for quiet operation - ideal for prep. rooms.
- Dual refrigeration coils with two-way air distribution reduces air velocities to minimize product dehydration.
- Reduced operating charge with 3/8" OD tubing
- Spacious end compartment allows for easy component installation.
- Attractive and durable high-density polypropylene fan guards.
- Hinged drain pan provides convenient access for cleaning.
- Terminal board allows for easy electrical connections.
- Internally enhanced tube
- Factory pressure tested to 650 PSIG

SMARTSPEED™
FAN MOTOR TECHNOLOGY
STANDARD ON ALL MODELS

AVAILABLE OPTIONS

- Transducer Schrader with Service Isolation Valve
- Wire Fan Guards
- Alternate Fin Material
- Electronic expansion valve (EEV)
- Transducer for EEV
- Insulated drain pan
- Additional options available, please contact factory

KLV-LINE, GENERATION "D" LOW VELOCITY CO₂ EVAPORATORS (cont'd)

MEDIUM TEMP. - AIR DEFROST

MODEL	VOLTAGE	\$	WEIGHT	
			lbs.	kg
KLV106CA-S1D	115/1/60	8552	90	41
KLV106CA-S2D	208-230/1/60	9423	90	41
KLV109CA-S1D	115/1/60	9739	105	48
KLV109CA-S2D	208-230/1/60	10267	105	48
KLV212CA-S1D	115/1/60	11469	139	63
KLV212CA-S2D	208-230/1/60	12058	139	63
KLV217CA-S1D	115/1/60	14443	158	72
KLV217CA-S2D	208-230/1/60	15216	158	72
KLV325CA-S1D	115/1/60	17491	235	107
KLV325CA-S2D	208-230/1/60	18392	235	107
KLV331CA-S1D	115/1/60	19763	257	117
KLV331CA-S2D	208-230/1/60	20814	257	117
KLV437CA-S1D	115/1/60	21039	270	123
KLV437CA-S2D	208-230/1/60	22125	270	123
KLV441CA-S1D	115/1/60	23729	280	127
KLV441CA-S2D	208-230/1/60	24984	280	127
KLV546CA-S1D	115/1/60	24753	290	132
KLV546CA-S2D	208-230/1/60	26062	290	132

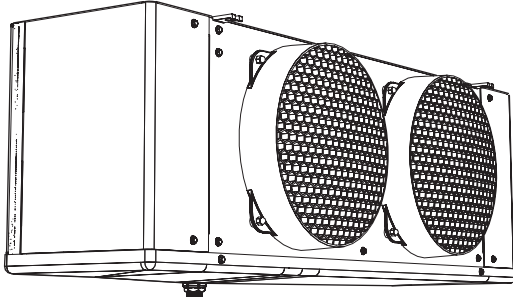
MEDIUM TEMP. - HOT GAS DEFROST

MODEL	VOLTAGE	\$	WEIGHT	
			lbs.	kg
KLV106CG-S1D	115/1/60	9280	90	41
KLV106CG-S2D	208-230/1/60	9823	90	41
KLV109CG-S1D	115/1/60	10486	105	48
KLV109CG-S2D	208-230/1/60	11108	105	48
KLV212CG-S1D	115/1/60	12319	139	63
KLV212CG-S2D	208-230/1/60	13013	139	63
KLV217CG-S1D	115/1/60	15541	158	72
KLV217CG-S2D	208-230/1/60	16437	158	72
KLV325CG-S1D	115/1/60	19293	235	107
KLV325CG-S2D	208-230/1/60	20387	235	107
KLV331CG-S1D	115/1/60	21252	257	117
KLV331CG-S2D	208-230/1/60	22469	257	117
KLV437CG-S1D	115/1/60	22591	270	123
KLV437CG-S2D	208-230/1/60	23862	270	123
KLV441CG-S1D	115/1/60	25515	280	127
KLV441CG-S2D	208-230/1/60	26973	280	127
KLV546CG-S1D	115/1/60	26642	290	132
KLV546CG-S2D	208-230/1/60	28175	290	132

MEDIUM TEMP. - ELECTRIC DEFROST

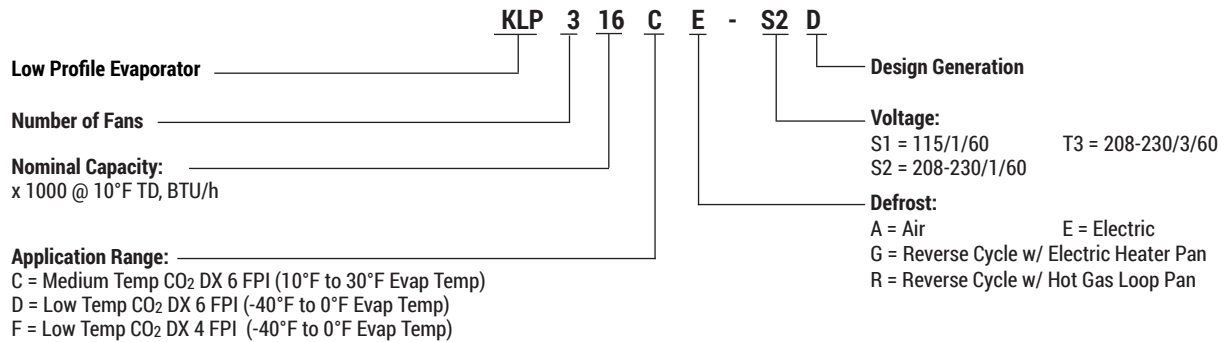
MODEL	VOLTAGE	\$	WEIGHT	
			lbs.	kg
KLV106CE-S1D	115/1/60	10016	90	41
KLV106CE-S2D	208-230/1/60	10016	90	41
KLV106CE-T3D	208-230/3/60	10016	90	41
KLV109CE-S1D	115/1/60	11428	105	48
KLV109CE-S2D	208-230/1/60	11428	105	48
KLV212CE-S2D	208-230/1/60	13368	139	63
KLV217CE-S2D	208-230/1/60	16895	158	72
KLV325CE-S2D	208-230/1/60	20948	235	107
KLV331CE-S2D	208-230/1/60	23096	257	117
KLV437CE-S2D	208-230/1/60	24517	270	123
KLV441CE-S2D	208-230/1/60	27725	280	127
KLV546CE-S2D	208-230/1/60	28968	290	132

KLP-LINE, GENERATION "D" LOW PROFILE CO₂ EVAPORATORS



PRODUCT SUPPORT
 web: www.k-rp.com/klp
 email: evaps@k-rp.com
 call: 1-844-893-3222 x520

NOMENCLATURE



STANDARD FEATURES

- Constructed with Internally Enhanced Tubing
- EC motors with patented SmartSpeed® Technology
- Factory pressure tested to 650 PSI
- High Strength Polyethylene Plastic Fan Guard
- Front Access motor mounts
- Convenient Hanging Mounting Brackets
- Convenient Service Schrader valve on suction header
- Hinged Drain Pan
- 3/4" Condensate line connection fitting
- Factory Installed distributor nozzle on units with multiple feeds
- Factory pressure tested to 650 PSIG

SMARTSPEED™
FAN MOTOR TECHNOLOGY

STANDARD ON ALL MODELS

AVAILABLE OPTIONS

- Transducer Schrader with Service Isolation Valve
- Wire Fan Guards
- Alternate Fin Material
- Electronic expansion valve (EEV)
- Transducer for EEV
- Insulated drain pan
- Additional options available, please contact factory

KLP-LINE, GENERATION "D" LOW PROFILE CO₂ EVAPORATORS (cont'd)

MEDIUM TEMP. - AIR DEFROST

MODEL	VOLTAGE	\$	WEIGHT	
			lbs.	kg
KLP104CA-S1D	115/1/60	4510	49	22
KLP104CA-S2D	208-230/1/60	4797	49	22
KLP106CA-S1D	115/1/60	4776	47	21
KLP106CA-S2D	208-230/1/60	4836	47	21
KLP107CA-S1D	115/1/60	5430	49	22
KLP107CA-S2D	208-230/1/60	5774	49	22
KLP209CA-S1D	115/1/60	6731	70	32
KLP209CA-S2D	208-230/1/60	6809	70	32
KLP211CA-S1D	115/1/60	7539	74	33
KLP211CA-S2D	208-230/1/60	7619	74	33
KLP214CA-S1D	115/1/60	8853	78	35
KLP214CA-S2D	208-230/1/60	8952	78	35
KLP317CA-S1D	115/1/60	9659	101	46
KLP317CA-S2D	208-230/1/60	9762	101	46
KLP320CA-S1D	115/1/60	10747	107	48
KLP320CA-S2D	208-230/1/60	11428	107	48
KLP422CA-S1D	115/1/60	10425	117	53
KLP422CA-S2D	208-230/1/60	11066	117	53
KLP427CA-S1D	115/1/60	12340	135	61
KLP427CA-S2D	208-230/1/60	13125	135	61
KLP534CA-S1D	115/1/60	13255	163	74
KLP534CA-S2D	208-230/1/60	14083	163	74
KLP640CA-S1D	115/1/60	14254	192	87
KLP640CA-S2D	208-230/1/60	14948	192	87

MEDIUM TEMP. - ELECTRIC DEFROST

MODEL	VOLTAGE	\$	WEIGHT	
			lbs.	kg
KLP104CE-S2D	208-230/1/60	5907	49	22
KLP104CE-T3D	208-230/3/60	6184	49	22
KLP106CE-S2D	208-230/1/60	6841	51	23
KLP106CE-T3D	208-230/3/60	7233	51	23
KLP107CE-S2D	208-230/1/60	7039	53	24
KLP107CE-T3D	208-230/3/60	7618	53	24
KLP209CE-S2D	208-230/1/60	7918	76	35
KLP209CE-T3D	208-230/3/60	8375	76	35
KLP211CE-S2D	208-230/1/60	8576	80	36
KLP211CE-T3D	208-230/3/60	9162	80	36
KLP214CE-S2D	208-230/1/60	9793	84	38
KLP214CE-T3D	208-230/3/60	10482	84	38
KLP317CE-S2D	208-230/1/60	10656	109	50
KLP317CE-T3D	208-230/3/60	11187	109	50
KLP320CE-S2D	208-230/1/60	12016	115	52
KLP320CE-T3D	208-230/3/60	12516	115	52
KLP422CE-S2D	208-230/1/60	12055	127	58
KLP422CE-T3D	208-230/3/60	12615	127	58
KLP427CE-S2D	208-230/1/60	14742	145	66
KLP427CE-T3D	208-230/3/60	15226	145	66
KLP534CE-S2D	208-230/1/60	16358	176	80
KLP534CE-T3D	208-230/3/60	16832	176	80
KLP640CE-S2D	208-230/1/60	18103	207	94
KLP640CE-T3D	208-230/3/60	18783	207	94

MEDIUM TEMP. - HOT GAS DEFROST

= T, H, G or R. Refer to nomenclature for details.

MODEL	VOLTAGE	\$	WEIGHT	
			lbs.	kg
KLP209C#-S1D	115/1/60	9083	70	32
KLP209C#-S2D	208-230/1/60	9612	70	32
KLP211C#-S1D	115/1/60	10135	74	33
KLP211C#-S2D	208-230/1/60	10810	74	33
KLP214C#-S1D	115/1/60	11082	78	35
KLP214C#-S2D	208-230/1/60	11835	78	35
KLP317C#-S1D	115/1/60	12397	101	46
KLP317C#-S2D	208-230/1/60	12840	101	46
KLP320C#-S1D	115/1/60	13206	107	48
KLP320C#-S2D	208-230/1/60	14089	107	48
KLP422C#-S1D	115/1/60	12547	117	53
KLP422C#-S2D	208-230/1/60	13483	117	53
KLP427C#-S1D	115/1/60	14890	135	61
KLP427C#-S2D	208-230/1/60	15880	135	61
KLP534C#-S1D	115/1/60	16427	163	74
KLP534C#-S2D	208-230/1/60	17713	163	74
KLP640C#-S1D	115/1/60	17116	192	87
KLP640C#-S2D	208-230/1/60	18479	192	87

NOTES:

- ELECTRIC DRAIN PAN IS A STANDARD FEATURE ON ALL HOT GAS DEFROST LOW PROFILE EVAPORATORS
- HOT GAS LOOP IN DRAIN PAN IS A **NO CHARGE** OPTION
- REFER TO PRODUCT CATALOG ON EXTENT OF STANDARD FACTORY PIPING. OPTIONAL HOT GAS KITS ARE AVAILABLE - SEE NEXT PAGE
- FOR APPROX. SHIPPING WEIGHTS FOR HOT GAS LOOP IN DRAIN PAN MODELS, REFER TO INSTALLATION MANUAL

KLP-LINE, GENERATION "D" LOW PROFILE CO₂ EVAPORATORS (cont'd)

LOW TEMP. - ELECTRIC DEFROST

MODEL	VOLTAGE	\$	WEIGHT	
			lbs.	kg
KLP104DE-S2D	208-230/1/60	5773	49	22
KLP104DE-T3D	208-230/3/60	6044	49	22
KLP105DE-S2D	208-230/1/60	6688	51	23
KLP105DE-T3D	208-230/3/60	7070	51	23
KLP106DE-S2D	208-230/1/60	6908	53	24
KLP106DE-T3D	208-230/3/60	7476	53	24
KLP207DE-S2D	208-230/1/60	7413	76	35
KLP207DE-T3D	208-230/3/60	7970	76	35
KLP209DE-S2D	208-230/1/60	8184	80	36
KLP209DE-T3D	208-230/3/60	8742	80	36
KLP211DE-S2D	208-230/1/60	8895	84	38
KLP211DE-T3D	208-230/3/60	9521	84	38
KLP314DE-S2D	208-230/1/60	9683	109	50
KLP314DE-T3D	208-230/3/60	10165	109	50
KLP316DE-S2D	208-230/1/60	10909	115	52
KLP316DE-T3D	208-230/3/60	11359	115	52
KLP418DE-S2D	208-230/1/60	11919	127	58
KLP418DE-T3D	208-230/3/60	12474	127	58
KLP421DE-S2D	208-230/1/60	13018	145	66
KLP421DE-T3D	208-230/3/60	13446	145	66
KLP526DE-S2D	208-230/1/60	15662	176	80
KLP526DE-T3D	208-230/3/60	16116	176	80
KLP631DE-S2D	208-230/1/60	17334	207	94
KLP631DE-T3D	208-230/3/60	17985	207	94

LOW TEMP. - HOT GAS DEFROST

= T, H, G or R. Refer to nomenclature for details.

MODEL	VOLTAGE	\$	WEIGHT	
			lbs.	kg
KLP207D#-S1D	115/1/60	8858	70	32
KLP207D#-S2D	208-230/1/60	9374	70	32
KLP209D#-S1D	115/1/60	9797	74	33
KLP209D#-S2D	208-230/1/60	10450	74	33
KLP211D#-S1D	115/1/60	10066	78	35
KLP211D#-S2D	208-230/1/60	10750	78	35
KLP314D#-S1D	115/1/60	11409	101	46
KLP314D#-S2D	208-230/1/60	11816	101	46
KLP316D#-S1D	115/1/60	12509	107	48
KLP316D#-S2D	208-230/1/60	13346	107	48
KLP418D#-S1D	115/1/60	12406	117	53
KLP418D#-S2D	208-230/1/60	13332	117	53
KLP421D#-S1D	115/1/60	13149	135	61
KLP421D#-S2D	208-230/1/60	14023	135	61
KLP526D#-S1D	115/1/60	15727	163	74
KLP526D#-S2D	208-230/1/60	16960	163	74
KLP631D#-S1D	115/1/60	16388	192	87
KLP631D#-S2D	208-230/1/60	17694	192	87

NOTES:

- ELECTRIC DRAIN PAN IS A STANDARD FEATURE ON ALL HOT GAS DEFROST LOW PROFILE EVAPORATORS
- HOT GAS LOOP IN DRAIN PAN IS A **NO CHARGE** OPTION
- REFER TO PRODUCT CATALOG ON EXTENT OF STANDARD FACTORY PIPING. OPTIONAL HOT GAS KITS ARE AVAILABLE
- SEE NEXT PAGE
- FOR APPROX. SHIPPING WEIGHTS FOR HOT GAS LOOP IN DRAIN PAN MODELS, REFER TO INSTALLATION MANUAL

KLP-LINE, GENERATION "D" LOW PROFILE CO₂ EVAPORATORS (cont'd)

OPTIONAL HOT GAS KITS

Contact Factory For Details



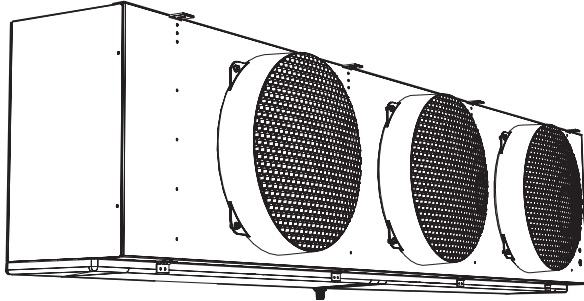
PRODUCT SUPPORT

web: www.k-rp.com/support

email: evaps@k-rp.com

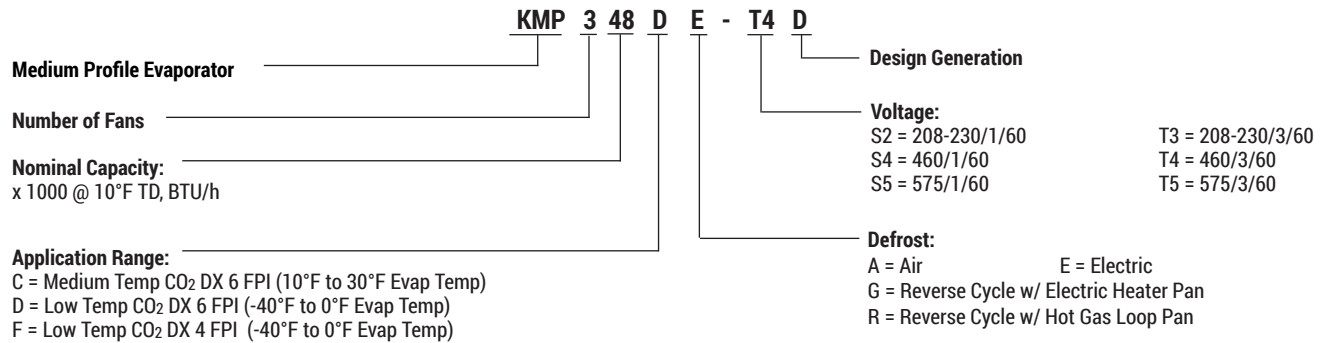
call: 1-844-893-3222 x520

KMP-LINE, GENERATION "D" MEDIUM PROFILE CO₂ EVAPORATORS



PRODUCT SUPPORT
 web: www.k-rp.com/kmp
 email: evaps@k-rp.com
 call: 1-844-893-3222 x520

NOMENCLATURE



STANDARD FEATURES

- EC motors with patented SmartSpeed® Technology. (230V and 460V models only)
- Totally enclosed high efficiency EC motors
- High efficiency and high strength fan guard
- Hinged access panels
- Internally enhanced tubing
- Ample electrical and header compartments
- Adjustable Fan Delay on medium temp. Electric Defrost and Hot Gas units
- Schrader valve on suction header

- Positive slope, hinged drain pan
- Central drain connections (approximate)
- Universal drain fitting
- Large 3/4" ID (3/4" MPT) drain hole
- Factory installed distributor nozzle
- Factory pressure tested to 650 PSIG

SMARTSPEED™
FAN MOTOR TECHNOLOGY

STANDARD ON MOST MODELS *
 * except 575V models

AVAILABLE OPTIONS

- Hot gas loop pan with hot gas defrost models
- Electronic expansion valve (EEV)
- Transducer for EEV
- Insulated drain pan
- Wire fan guard
- Corrosion protection: alternate fin materials and coatings
- Additional options available, please contact factory

KMP-LINE, GENERATION "D" MEDIUM PROFILE CO₂ EVAPORATORS (cont'd)

MEDIUM TEMP. - AIR DEFROST

STANDARD SMARTSPEED EC Motors			WEIGHT	
MODEL	VOLTAGE	\$	lbs.	kg
KMP120CA-S2D	208-230/1/60	9186	154	70
KMP120CA-S4D	460/1/60	11726	154	70
KMP124CA-S2D	208-230/1/60	10602	161	73
KMP124CA-S4D	460/1/60	13524	161	73
KMP232CA-S2D	208-230/1/60	13569	224	102
KMP232CA-S4D	460/1/60	16698	224	102
KMP240CA-S2D	208-230/1/60	15179	239	109
KMP240CA-S4D	460/1/60	19501	239	109
KMP248CA-S2D	208-230/1/60	18590	254	115
KMP248CA-S4D	460/1/60	22737	254	115
KMP360CA-S2D	208-230/1/60	21763	326	148
KMP360CA-S4D	460/1/60	27014	326	148
KMP372CA-S2D	208-230/1/60	24656	349	159
KMP372CA-S4D	460/1/60	31826	349	159
KMP486CA-S2D	208-230/1/60	27551	414	188
KMP486CA-S4D	460/1/60	34853	414	188
KMP495CA-S2D	208-230/1/60	28742	433	197
KMP495CA-S4D	460/1/60	37021	433	197

MEDIUM TEMP. - ELECTRIC DEFROST

STANDARD SMARTSPEED EC Motors			WEIGHT	
MODEL	VOLTAGE	\$	lbs.	kg
KMP120CE-S2D	208-230/1/60	11202	163	74
KMP120CE-S4D	460/1/60	14228	163	74
KMP120CE-T3D	208-230/3/60	11202	163	74
KMP120CE-T4D	460/3/60	14228	163	74
KMP124CE-S2D	208-230/1/60	13345	171	78
KMP124CE-S4D	460/1/60	17287	171	78
KMP124CE-T3D	208-230/3/60	13345	171	78
KMP124CE-T4D	460/3/60	17287	171	78
KMP232CE-S2D	208-230/1/60	15993	241	110
KMP232CE-S4D	460/1/60	19575	241	110
KMP232CE-T3D	208-230/3/60	15993	241	110
KMP232CE-T4D	460/3/60	19575	241	110
KMP240CE-S2D	208-230/1/60	15546	257	117
KMP240CE-S4D	460/1/60	20452	257	117
KMP240CE-T3D	208-230/3/60	15546	257	117
KMP240CE-T4D	460/3/60	20452	257	117
KMP248CE-S2D	208-230/1/60	19809	270	123
KMP248CE-S4D	460/1/60	24359	270	123
KMP248CE-T3D	208-230/3/60	19809	270	123
KMP248CE-T4D	460/3/60	24359	270	123
KMP360CE-S2D	208-230/1/60	22494	349	159
KMP360CE-S4D	460/1/60	28028	349	159
KMP360CE-T3D	208-230/3/60	22494	349	159
KMP360CE-T4D	460/3/60	28028	349	159
KMP372CE-S2D	208-230/1/60	26552	372	169
KMP372CE-S4D	460/1/60	34742	372	169
KMP372CE-T3D	208-230/3/60	26552	372	169
KMP372CE-T4D	460/3/60	34742	372	169
KMP486CE-S2D	208-230/1/60	34589	441	200
KMP486CE-S4D	460/1/60	41214	441	200
KMP486CE-T3D	208-230/3/60	34589	441	200
KMP486CE-T4D	460/3/60	41214	441	200
KMP495CE-S2D	208-230/1/60	37143	460	209
KMP495CE-S4D	460/1/60	45591	460	209
KMP495CE-T3D	208-230/3/60	37143	460	209
KMP495CE-T4D	460/3/60	45591	460	209

MEDIUM TEMP. - HOT GAS DEFROST

= T, H, G or R. Refer to nomenclature for details.

STANDARD SMARTSPEED EC Motors			WEIGHT	
MODEL	VOLTAGE	\$	lbs.	kg
KMP120C#-S2D	208-230/1/60	10517	156	71
KMP120C#-S4D	460/1/60	13748	156	71
KMP124C#-S2D	208-230/1/60	12623	164	75
KMP124C#-S4D	460/1/60	16484	164	75
KMP232C#-S2D	208-230/1/60	15781	228	104
KMP232C#-S4D	460/1/60	19453	228	104
KMP240C#-S2D	208-230/1/60	15327	244	111
KMP240C#-S4D	460/1/60	20338	244	111
KMP248C#-S2D	208-230/1/60	19524	258	117
KMP248C#-S4D	460/1/60	24212	258	117
KMP360C#-S2D	208-230/1/60	22266	332	151
KMP360C#-S4D	460/1/60	27969	332	151
KMP372C#-S2D	208-230/1/60	26535	355	161
KMP372C#-S4D	460/1/60	34647	355	161
KMP486C#-S2D	208-230/1/60	33200	421	191
KMP486C#-S4D	460/1/60	40103	421	191
KMP495C#-S2D	208-230/1/60	35643	440	200
KMP495C#-S4D	460/1/60	44348	440	200

NOTES:

- Electric heater in drain pan is standard.
- OPTIONAL HOT GAS LOOP IN DRAIN PAN:
CONTACT FACTORY FOR DETAILS
- For approx. shipping weights for hot gas loop in drain pan models, refer to bulletin K30-KMPD-PDI

• OPTIONAL WIRE FAN GUARD - \$255 LIST / FAN SECTION



2024 Refrigeration Products Price List

KLP-2024-1-C02 - EFFECTIVE DATE: 01 MARCH 2024 - SUPERCEDES: KLP-2023-1-C02



KMP-LINE, GENERATION "D" MEDIUM PROFILE CO₂ EVAPORATORS (cont'd)

LOW TEMP. - 6 FPI ELECTRIC DEFROST

STANDARD SMARTSPEED EC Motors			WEIGHT	
MODEL	VOLTAGE	\$	lbs.	kg
KMP116DE-S2D	208-230/1/60	12265	164	75
KMP116DE-S4D	460/1/60	14911	164	75
KMP116DE-T3D	208-230/3/60	12265	164	75
KMP116DE-T4D	460/3/60	14911	164	75
KMP120DE-S2D	208-230/1/60	14267	171	78
KMP120DE-S4D	460/1/60	17867	171	78
KMP120DE-T3D	208-230/3/60	14267	171	78
KMP120DE-T4D	460/3/60	17867	171	78
KMP224DE-S2D	208-230/1/60	15583	243	110
KMP224DE-S4D	460/1/60	20020	243	110
KMP224DE-T3D	208-230/3/60	15583	243	110
KMP224DE-T4D	460/3/60	20020	243	110
KMP233DE-S2D	208-230/1/60	19438	257	117
KMP233DE-S4D	460/1/60	24290	257	117
KMP233DE-T3D	208-230/3/60	19438	257	117
KMP233DE-T4D	460/3/60	24290	257	117
KMP239DE-S2D	208-230/1/60	22950	273	124
KMP239DE-S4D	460/1/60	28824	273	124
KMP239DE-T3D	208-230/3/60	22950	273	124
KMP239DE-T4D	460/3/60	28824	273	124
KMP347DE-S2D	208-230/1/60	23948	352	160
KMP347DE-S4D	460/1/60	30137	352	160
KMP347DE-T3D	208-230/3/60	23948	352	160
KMP347DE-T4D	460/3/60	30137	352	160
KMP355DE-S2D	208-230/1/60	26958	377	171
KMP355DE-S4D	460/1/60	33422	377	171
KMP355DE-T3D	208-230/3/60	26958	377	171
KMP355DE-T4D	460/3/60	33422	377	171
KMP470DE-S2D	208-230/1/60	31216	443	201
KMP470DE-S4D	460/1/60	39999	443	201
KMP470DE-T3D	208-230/3/60	31216	443	201
KMP470DE-T4D	460/3/60	39999	443	201

LOW TEMP. - 4 FPI ELECTRIC DEFROST

STANDARD SMARTSPEED EC Motors			WEIGHT	
MODEL	VOLTAGE	\$	lbs.	kg
KMP113FE-S2D	208-230/1/60	10906	160	73
KMP113FE-S4D	460/1/60	14073	160	73
KMP113FE-T3D	208-230/3/60	10906	160	73
KMP113FE-T4D	460/3/60	14073	160	73
KMP117FE-S2D	208-230/1/60	12909	166	75
KMP117FE-S4D	460/1/60	15680	166	75
KMP117FE-T3D	208-230/3/60	12909	166	75
KMP117FE-T4D	460/3/60	15680	166	75
KMP221FE-S2D	208-230/1/60	14887	239	109
KMP221FE-S4D	460/1/60	17896	239	109
KMP221FE-T3D	208-230/3/60	14887	239	109
KMP221FE-T4D	460/3/60	17896	239	109
KMP226FE-S2D	208-230/1/60	18575	250	114
KMP226FE-S4D	460/1/60	23141	250	114
KMP226FE-T3D	208-230/3/60	18575	250	114
KMP226FE-T4D	460/3/60	23141	250	114
KMP234FE-S2D	208-230/1/60	20835	263	120
KMP234FE-S4D	460/1/60	26687	263	120
KMP234FE-T3D	208-230/3/60	20835	263	120
KMP234FE-T4D	460/3/60	26687	263	120
KMP338FE-S2D	208-230/1/60	22633	346	157
KMP338FE-S4D	460/1/60	27458	346	157
KMP338FE-T3D	208-230/3/60	22633	346	157
KMP338FE-T4D	460/3/60	27458	346	157
KMP349FE-S2D	208-230/1/60	25883	362	165
KMP349FE-S4D	460/1/60	32245	362	165
KMP349FE-T3D	208-230/3/60	25883	362	165
KMP349FE-T4D	460/3/60	32245	362	165
KMP457FE-S2D	208-230/1/60	28276	425	193
KMP457FE-S4D	460/1/60	36045	425	193
KMP457FE-T3D	208-230/3/60	28276	425	193
KMP457FE-T4D	460/3/60	36045	425	193

LOW TEMP. - 6 FPI HOT GAS DEFROST

= T, H, G or R. Refer to nomenclature for details.

STANDARD SMARTSPEED EC Motors			WEIGHT	
MODEL	VOLTAGE	\$	lbs.	kg
KMP116D#-S2D	208-230/1/60	11568	157	71
KMP116D#-S4D	460/1/60	14470	157	71
KMP120D#-S2D	208-230/1/60	13498	164	75
KMP120D#-S4D	460/1/60	17040	164	75
KMP224D#-S2D	208-230/1/60	15723	230	105
KMP224D#-S4D	460/1/60	20315	230	105
KMP233D#-S2D	208-230/1/60	19166	245	111
KMP233D#-S4D	460/1/60	24157	245	111
KMP239D#-S2D	208-230/1/60	22622	261	119
KMP239D#-S4D	460/1/60	28648	261	119
KMP347D#-S2D	208-230/1/60	23717	335	152
KMP347D#-S4D	460/1/60	30100	335	152
KMP355D#-S2D	208-230/1/60	26678	360	164
KMP355D#-S4D	460/1/60	33338	360	164
KMP470D#-S2D	208-230/1/60	30098	423	192
KMP470D#-S4D	460/1/60	39084	423	192

LOW TEMP. - 4 FPI HOT GAS DEFROST

= T, H, G or R. Refer to nomenclature for details.

STANDARD SMARTSPEED EC Motors			WEIGHT	
MODEL	VOLTAGE	\$	lbs.	kg
KMP113F#-S2D	208-230/1/60	9822	153	70
KMP117F#-S2D	208-230/1/60	13357	160	73
KMP221F#-S2D	208-230/1/60	15976	226	103
KMP226F#-S2D	208-230/1/60	18294	238	108
KMP234F#-S2D	208-230/1/60	21132	252	115
KMP338F#-S2D	208-230/1/60	23286	329	150
KMP349F#-S2D	208-230/1/60	26677	346	157
KMP457F#-S2D	208-230/1/60	30119	406	185

NOTES:

- Electric heater in drain pan is standard.
- OPTIONAL HOT GAS LOOP IN DRAIN PAN:
CONTACT FACTORY FOR DETAILS
- For approx. shipping weights for hot gas loop in drain pan models, refer to bulletin K30-KMPD-PDI

• OPTIONAL WIRE FAN GUARD - \$255 LIST / FAN SECTION

KMP-LINE, GENERATION "D" MEDIUM PROFILE CO₂ EVAPORATORS (cont'd)

Models with 575V PSC Motors

NOTE:
AWEF not required
in applications
utilizing 575V

MEDIUM TEMP. - AIR DEFROST

575V PSC Motors			WEIGHT	
MODEL	VOLTAGE	\$	lbs.	kg
KMP120CA-S5D-C	575/1/60	9153	154	70
KMP124CA-S5D-C	575/1/60	10657	161	73
KMP232CA-S5D-C	575/1/60	13293	224	102
KMP240CA-S5D-C	575/1/60	17414	239	109
KMP248CA-S5D-C	575/1/60	20713	254	115
KMP360CA-S5D-C	575/1/60	22335	326	148
KMP372CA-S5D-C	575/1/60	23631	349	159
KMP486CA-S5D-C	575/1/60	25765	414	188
KMP495CA-S5D-C	575/1/60	27107	433	197

MEDIUM TEMP. - ELECTRIC DEFROST

575V PSC Motors			WEIGHT	
MODEL	VOLTAGE	\$	lbs.	kg
KMP120CE-S5D-C	575/1/60	11389	163	74
KMP120CE-T5D-C	575/3/60	11389	163	74
KMP124CE-S5D-C	575/1/60	13995	171	78
KMP124CE-T5D-C	575/3/60	13995	171	78
KMP232CE-S5D-C	575/1/60	16111	241	110
KMP232CE-T5D-C	575/3/60	16111	241	110
KMP240CE-S5D-C	575/1/60	18484	257	117
KMP240CE-T5D-C	575/3/60	18484	257	117
KMP248CE-S5D-C	575/1/60	22467	270	123
KMP248CE-T5D-C	575/3/60	22467	270	123
KMP360CE-S5D-C	575/1/60	23447	349	159
KMP360CE-T5D-C	575/3/60	23447	349	159
KMP372CE-S5D-C	575/1/60	26260	372	169
KMP372CE-T5D-C	575/3/60	26260	372	169
KMP486CE-S5D-C	575/1/60	30950	441	200
KMP486CE-T5D-C	575/3/60	30950	441	200
KMP495CE-S5D-C	575/1/60	34045	460	209
KMP495CE-T5D-C	575/3/60	34045	460	209

MEDIUM TEMP. - HOT GAS DEFROST

= T, H, G or R. Refer to nomenclature for details.

575V PSC Motors			WEIGHT	
MODEL	VOLTAGE	\$	lbs.	kg
KMP120C#-S5D-C	575/1/60	10962	156	71
KMP124C#-S5D-C	575/1/60	13283	164	75
KMP232C#-S5D-C	575/1/60	15895	228	104
KMP240C#-S5D-C	575/1/60	18269	244	111
KMP248C#-S5D-C	575/1/60	22218	258	117
KMP360C#-S5D-C	575/1/60	23243	332	151
KMP372C#-S5D-C	575/1/60	26032	355	161
KMP486C#-S5D-C	575/1/60	30304	421	191
KMP495C#-S5D-C	575/1/60	33335	440	200

LOW TEMP. - 6 FPI ELECTRIC DEFROST

575V PSC Motors			WEIGHT	
MODEL	VOLTAGE	\$	lbs.	kg
KMP116DE-S5D-C	575/1/60	11335	164	75
KMP116DE-T5D-C	575/3/60	11335	164	75
KMP120DE-S5D-C	575/1/60	13848	171	78
KMP120DE-T5D-C	575/3/60	13848	171	78
KMP224DE-S5D-C	575/1/60	16187	243	110
KMP224DE-T5D-C	575/3/60	16187	243	110
KMP233DE-S5D-C	575/1/60	18268	257	117
KMP233DE-T5D-C	575/3/60	18268	257	117
KMP239DE-S5D-C	575/1/60	22121	273	124
KMP239DE-T5D-C	575/3/60	22121	273	124
KMP347DE-S5D-C	575/1/60	22351	352	160
KMP347DE-T5D-C	575/3/60	22351	352	160
KMP355DE-S5D-C	575/1/60	25136	377	171
KMP355DE-T5D-C	575/3/60	25136	377	171
KMP470DE-S5D-C	575/1/60	30803	443	201
KMP470DE-T5D-C	575/3/60	30803	443	201

LOW TEMP. - 6 FPI HOT GAS DEFROST

= T, H, G or R. Refer to nomenclature for details.

575V PSC Motors			WEIGHT	
MODEL	VOLTAGE	\$	lbs.	kg
KMP116D#-S5D-C	575/1/60	10962	157	71
KMP120D#-S5D-C	575/3/60	13145	164	75
KMP224D#-S5D-C	575/1/60	16359	230	105
KMP233D#-S5D-C	575/1/60	18056	245	111
KMP239D#-S5D-C	575/1/60	21875	261	119
KMP347D#-S5D-C	575/1/60	22168	335	152
KMP355D#-S5D-C	575/1/60	24918	360	164
KMP470D#-S5D-C	575/1/60	30304	423	192

LOW TEMP. - 4 FPI ELECTRIC DEFROST

575V PSC Motors			WEIGHT	
MODEL	VOLTAGE	\$	lbs.	kg
KMP113FE-S5D-C	575/1/60	11144	160	73
KMP113FE-T5D-C	575/3/60	11144	160	73
KMP117FE-S5D-C	575/1/60	12565	166	75
KMP117FE-T5D-C	575/3/60	12565	166	75
KMP221FE-S5D-C	575/1/60	15007	239	109
KMP221FE-T5D-C	575/3/60	15007	239	109
KMP226FE-S5D-C	575/1/60	18143	250	114
KMP226FE-T5D-C	575/3/60	18143	250	114
KMP234FE-S5D-C	575/1/60	21291	263	120
KMP234FE-T5D-C	575/3/60	21291	263	120
KMP338FE-S5D-C	575/1/60	21515	346	157
KMP338FE-T5D-C	575/3/60	21515	346	157
KMP349FE-S5D-C	575/1/60	24138	362	165
KMP349FE-T5D-C	575/3/60	24138	362	165
KMP457FE-S5D-C	575/1/60	26274	425	193
KMP457FE-T5D-C	575/3/60	26274	425	193

LOW TEMP. - 4 FPI HOT GAS DEFROST

= T, H, G or R. Refer to nomenclature for details.

575V PSC Motors			WEIGHT	
MODEL	VOLTAGE	\$	lbs.	kg
KMP113F#-S5D-C	575/1/60	10216	153	70
KMP117F#-S5D-C	575/1/60	13025	160	73
KMP221F#-S5D-C	575/1/60	16143	226	103
KMP226F#-S5D-C	575/1/60	18056	238	108
KMP234F#-S5D-C	575/1/60	21690	252	115
KMP338F#-S5D-C	575/1/60	22168	329	150
KMP349F#-S5D-C	575/1/60	24918	346	157
KMP457F#-S5D-C	575/1/60	26868	406	185

KMP-LINE, GENERATION "D" MEDIUM PROFILE CO₂ EVAPORATORS (*cont'd*)

OPTIONAL HOT GAS KITS

Contact Factory For Details



PRODUCT SUPPORT

web: www.k-rp.com/support

email: evaps@k-rp.com

call: 1-844-893-3222 x520

OPTIONAL CO₂ EVAPORATOR ACCESSORIES

OPTIONAL FIN MATERIALS AND COATINGS

MODEL		FIN MATERIALS AND COATINGS		PAINTED CABINET	STAINLESS STEEL CABINET
		COPPER	E-COAT		
KTM215C	KTM215D	Consult Factory for Pricing	3670	1357	2858
KTM318C	KTM315D		3670	1802	3717
KTM321C	KTM318D		3670	1802	3717
KTM426C	KTM422D		3670	1802	3717
KTM531C	KTM526D		3670	2144	4388

MODEL		FIN MATERIALS AND COATINGS		PAINTED CABINET	STAINLESS STEEL CABINET	INSULATED DRAIN PAN
		COPPER	E-COAT			
KLV106C		Consult Factory for Pricing	2791	1381	3872	2047
KLV109C			2791	1381	3872	2047
KLV212C			2791	1514	3951	2078
KLV217C			2791	1514	3951	2078
KLV325C			3487	2021	5124	2608
KLV331C			3991	2021	5124	2608
KLV437C			3991	2363	5339	2608
KLV441C			4696	2363	5605	2983
KLV546C			4696	2363	5805	2983

KLP104C	KLP104D	KLP103F	Consult Factory for Pricing	3499	535	1820	167
KLP106C	KLP105D	KLP104F		3499	535	1820	167
KLP107C	KLP106D	KLP106F		3499	535	1820	167
KLP209C	KLP207D	KLP207F		3499	748	2135	226
KLP211C	KLP209D	KLP208F		3499	748	2135	226
KLP214C	KLP211D	KLP211F		3499	748	2135	226
KLP317C	KLP314D	KLP313F		3499	961	2591	283
KLP320C	KLP316D	KLP316F		3499	961	2591	283
KLP422C	KLP418D	KLP418F		5490	1174	3173	352
KLP427C	KLP421D	KLP421F		5554	1174	3173	352
KLP534C	KLP526D	KLP524F		5995	1388	3587	377
KLP640C	KLP631D	KLP627F		6435	1601	4027	435

KMP120C	KMP116D	KMP113F	Consult Factory for Pricing	5661	1273	2562	460
KMP122C	KMP120D	KMP117F		5661	1273	2562	460
KMP232C	KMP224D	KMP221F		6127	1935	3477	613
KMP240C	KMP233D	KMP226F		6542	1935	3477	613
KMP248C	KMP239D	KMP234F		6805	1935	3477	613
KMP360C	KMP347D	KMP338F		8700	2596	4317	735
KMP372C	KMP355D	KMP349F		9084	2596	4317	735
KMP486C	KMP470D	KMP457F		12760	2947	4634	797
KMP495C	-	-		12760	2947	4634	797

COIL COATINGS

KeepRite Refrigeration offers various optional coil coatings as service to our customers. As equipment can be exposed to a variety of atmospheric conditions that are beyond KeepRite Refrigeration's control, customers need to decide which coating best suits their application needs. All coil coatings are sold and applied by third party suppliers and while these products can extend the life and integrity of the equipment, KeepRite Refrigeration cannot recommend, endorse or warrant any of these products. For more information on coil coatings, contact your local KeepRite Refrigeration representative for assistance.

Stainless Steel Cabinet Pricing includes exterior cabinet and drain pan. Internal parts that have corrosion availability may have addition cost added. Consult factory for details.

Insulated Drain Pan consists of a second outer drain pan with insulation between the pans.

ADDITIONAL OPTIONS AVAILABLE

Contact Factory For Details



PRODUCT SUPPORT

web: www.k-rp.com/support
email: evaps@k-rp.com
call: 1-844-893-3222 x520

PRODUCT SUPPORT RESOURCES

 <p>PRODUCT SUPPORT</p>	<p><i>web:</i> www.k-rp.com/support <i>email:</i> evaps@k-rp.com <i>call:</i> 1-844-893-3222 x520</p>
 <p>TROUBLESHOOTING</p>	<p><i>email:</i> troubleshooting@k-rp.com <i>call:</i> 1-844-893-3222 x529</p>
 <p>SERVICE PARTS</p>	<p><i>web:</i> www.k-rp.com/parts <i>email:</i> parts@k-rp.com <i>call:</i> 1-844-893-3222 x504</p>
 <p>WARRANTY</p>	<p><i>web:</i> www.k-rp.com/warranty <i>email:</i> warranty@k-rp.com <i>call:</i> 1-844-893-3222 x507</p>
 <p>ORDERS</p>	<p><i>email:</i> orders@k-rp.com <i>call:</i> 1-844-893-3222 x501</p>
 <p>SHIPPING</p>	<p><i>email:</i> shipping@k-rp.com <i>call:</i> 1-844-893-3222 x503</p>

