

PRICE LIST

**EFFECTIVE DATE:
01 MARCH 2024**

SUPERCEDES:
KLP-2023-2C

Bulletin KLP-2024-2C

Part # 1090869-2C



Prices are F.O.B. shipping point. Freight is allowed via lowest common carrier to nearest freight station in Canada and U.S.A. (except to Alaska or Hawaii) on shipments of \$7000 NET or more.

Shipments of less than \$7000 NET are F.O.B. shipping point and are not freight allowed.

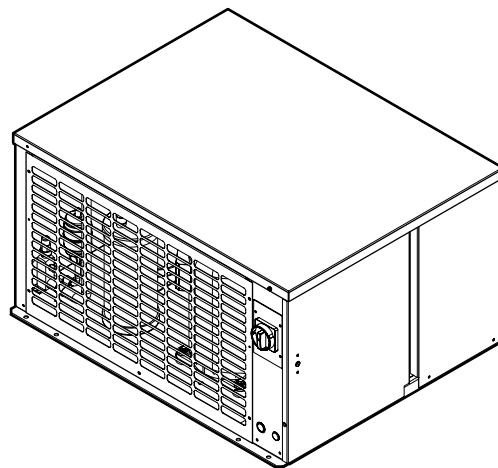
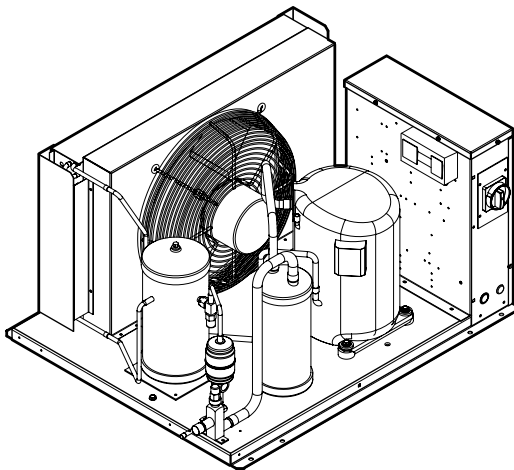
Prices, weights and specifications subject to change without notice.

Terms: Net 30 days.

Subject to Terms and Conditions of Sale / General Warranty / Claims Procedures



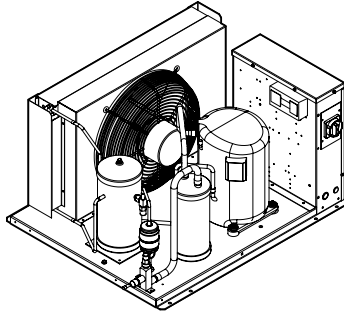
**INCLUDES MODELS FOR DOE & NRCAN
AWEF-EXEMPT APPLICATIONS**



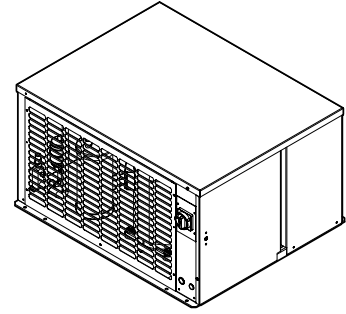
Contents

| | |
|---|---------|
| KEH - Line, Indoor / Outdoor Air Cooled Hermetic Condensing Units..... | 2 - 4 |
| KEZ - Line, Indoor / Outdoor Air Cooled Scroll Condensing Units..... | 5 - 8 |
| KES - Line, Indoor / Outdoor Air Cooled Semi-Hermetic Condensing Units..... | 9 - 15 |
| KE* - Line Condensing Units, Factory Installed Options..... | 16 - 18 |
| Product Support Resources..... | BACK |

KEH-LINE, "C" GENERATION INDOOR AND OUTDOOR AIR COOLED HERMETIC CONDENSING UNITS




 web: www.k-rp.com/keh
 email: smcu@k-rp.com
 call: 1-844-893-3222 x521



SMARTSPEED™
 FAN MOTOR TECHNOLOGY

NOMENCLATURE

KEH A 010 M 8 - H T3 C - A

Model Series
KEH = Excel Hermetic Air Cooled Condensing Unit Line

Compressor Manufacturer
A = Copeland

Nominal HP
006 - 030 = 1/2 - 3 HP

Application Range
L = Low Temp M = Medium Temp

Refrigerant*
6 = R404A / R507 8 = R448A / R407C / R404A

Enclosure
H = Outdoor
I = Indoor

Voltage*

| | |
|-------------------|-------------------|
| S2 = 208/230-1-60 | T3 = 208/230-3-60 |
| S3 = 230-1-60 | T4 = 460-3-60 |
| S6 = 200/220-1-50 | T5 = 575-3-60 |
| S7 = 200-1-50 | T7 = 200/220-3-50 |
| | T9 = 380/400-3-50 |

* subject to compressor availability

Design Generation
C = "C" Generation

Pre-Selected Factory Mounted Option Packages

- A = Standard Features (see below)
- B = Standard Features (see below)
Plus Sealed Liquid Line Filter Drier and Sight Glass
- C = Standard Features (see below)
*Plus Sealed Liquid Line Filter Drier and Sight Glass
Plus Suction Accumulator
Plus Electric Defrost Kit*
- D = Standard Features (see below)
*Plus Sealed Liquid Line Filter Drier and Sight Glass
Plus Heated and Insulated Receiver*
- E = Standard Features (see below)
*Plus Sealed Liquid Line Filter Drier and Sight Glass
Plus Heated and Insulated Receiver
Plus Suction Accumulator
Plus Electric Defrost Kit*
- F = Standard Features (see below)
*Plus Sealed liquid line filter drier and sight glass
Plus Electric Defrost Kit*
- G = Standard Features (see below)
*Plus Sealed liquid line filter drier and sight glass
Plus Electric Defrost Kit
Plus Heated and insulated receiver*
- H = Standard Features (see below)
*Plus Sealed Liquid Line Filter Drier and Sight Glass
Plus Timeclock*
- J = Standard Features (see below)
*Plus Sealed Liquid Line Filter Drier and Sight Glass
Plus Heated and insulated receiver
Plus Suction Accumulator*

Please see pages 17-19 for complete details of available factory installed options

KEH-LINE, "C" GENERATION INDOOR AND OUTDOOR AIR COOLED HERMETIC CONDENSING UNITS

STANDARD FEATURES

Indoor Unit:

- Weatherproof electrical control box with compressor contactor and fused control circuit
- Welded-hermetic compressor
- High efficiency enhanced tube and fin condenser design
- Pre-formed piping
- Quiet fan motor operation
- Energy efficient PSC condenser fan motor
- Electrical control panel away from air flow stream
- Wide-open front design, spring latches and handle on 5Hp MT & HT or larger
- Unit leak tested and shipped with helium holding charge
- Painted cabinet

- Receiver with fusible plug and liquid shut off valve
- Suction service valve
- Copper tubing secured with cushion clamps
- Fixed high and low pressure control

Outdoor Unit: All Standard Features of Indoor Unit, Plus:

- Painted weather-resistant housing with removable hood
- Flooded head pressure control (non adjustable)
- Crankcase heater

AVAILABLE OPTIONS

- Sealed suction filter
- Suction accumulator
- Suction accumulator with boil-out coil
- Heated and insulated receiver
- Sealed liquid line filter drier and sight glass
- Liquid line solenoid valve with 230-volt coil (shipped loose)
- Compressor circuit breaker
- Compressor time delay relay
- Variable speed EC motors only as head pressure control (see Bulletin K40-HPC-AG or <https://docs.k-rp.com/1101110.pdf> for details)
- QuickVac Evacuation and Refrigerant Recovery Valves

- **SmartSpeed Fan Motor Technology (see page 4)**
- Pump down toggle switch
- Electric defrost kit with mechanical time clock and contactors, as required
- Hoffman variable fan speed control
- Lockout control circuit relay (for liquid solenoid valve)
- Disconnect switch (fused or non-fused)
- Electronic phase / voltage monitor
- Leg kit or air discharge hood

KEH-LINE, "C" GENERATION INDOOR AND OUTDOOR AIR COOLED HERMETIC CONDENSING UNITS

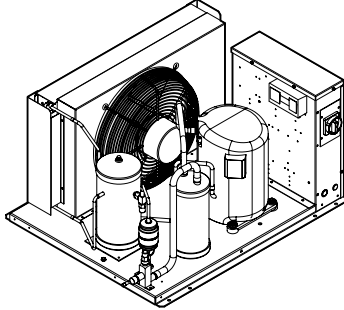
MEDIUM TEMPERATURE - R404A R507 R407C R448A

| OUTDOOR | | | | COPELAND | | INDOOR | | | |
|----------------|---------------|-----------------|-----|--------------|--------------|----------------|---------------|-----------------|-----|
| Unit Model # | LIST PRICE \$ | Shipping lbs Kg | | | | Unit Model # | LIST PRICE \$ | Shipping lbs Kg | |
| KEHA006M8-HS1C | 7422 | 149 | 68 | 115/1/60 | RST45C1E-CAA | KEHA006M8-IS1C | 5988 | 127 | 58 |
| KEHA006M8-HS2C | 7174 | 149 | 68 | 208-230/1/60 | RST45C1E-CAV | KEHA006M8-IS2C | 5736 | 127 | 58 |
| KEHA008M8-HS1C | 7491 | 149 | 68 | 115/1/60 | RST55C1E-CAA | KEHA008M8-IS1C | 6037 | 127 | 58 |
| KEHA008M8-HS2C | 7243 | 149 | 68 | 208-230/1/60 | RST55C1E-CAV | KEHA008M8-IS2C | 5785 | 127 | 58 |
| KEHA009M8-HS2C | 7786 | 152 | 69 | 208-230/1/60 | RST64C1E-CAV | KEHA009M8-IS2C | 6040 | 130 | 59 |
| KEHA009M8-HS6C | 7786 | 152 | 69 | 200-220/1/50 | RST64C1E-CAZ | KEHA009M8-IS6C | 6040 | 130 | 59 |
| KEHA010M8-HS2C | 8220 | 167 | 76 | 208-230/1/60 | RST70C1E-PFV | KEHA010M8-IS2C | 6469 | 145 | 66 |
| KEHA010M8-HS7C | 8220 | 167 | 76 | 200/1/50 | RST70C1E-PFV | KEHA010M8-IS7C | 6469 | 145 | 66 |
| KEHA010M8-HT3C | 8112 | 167 | 76 | 208-230/3/60 | RST70C1E-TA5 | KEHA010M8-IT3C | 6360 | 145 | 66 |
| KEHA010M8-HT7C | 8112 | 167 | 76 | 200-220/3/50 | RST70C1E-TA5 | KEHA010M8-IT7C | 6360 | 145 | 66 |
| KEHA011M8-HS2C | 8570 | 167 | 76 | 208-230/1/60 | RST80C1E-PFV | KEHA011M8-IS2C | 6535 | 145 | 66 |
| KEHA011M8-HS7C | 8570 | 167 | 76 | 200/1/50 | RST80C1E-PFV | KEHA011M8-IS7C | 6535 | 145 | 66 |
| KEHA011M8-HT3C | 8415 | 167 | 76 | 208-230/3/60 | RST80C1E-TA5 | KEHA011M8-IT3C | 6783 | 145 | 66 |
| KEHA011M8-HT7C | 8415 | 167 | 76 | 200-220/3/50 | RST80C1E-TA5 | KEHA011M8-IT7C | 6783 | 145 | 66 |
| KEHA013M8-HS2C | 8774 | 279 | 127 | 208-230/1/60 | RST97C1E-PFV | KEHA013M8-IS2C | 6690 | 257 | 117 |
| KEHA013M8-HS7C | 8774 | 279 | 127 | 200/1/50 | RST97C1E-PFV | KEHA013M8-IS7C | 6690 | 257 | 117 |
| KEHA013M8-HT3C | 8616 | 279 | 127 | 208-230/3/60 | RST97C1E-TA5 | KEHA013M8-IT3C | 6945 | 257 | 117 |
| KEHA013M8-HT7C | 8616 | 279 | 127 | 200-220/3/50 | RST97C1E-TA5 | KEHA013M8-IT7C | 6945 | 257 | 117 |

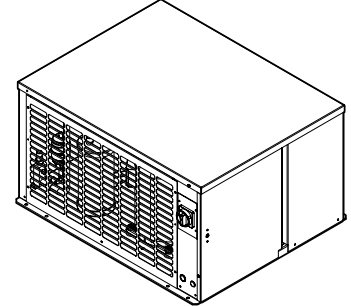
LOW TEMPERATURE - R404A R507

| OUTDOOR | | | | COPELAND | | INDOOR | | | |
|----------------|---------------|-----------------|----|--------------|--------------|----------------|---------------|-----------------|----|
| Unit Model # | LIST PRICE \$ | Shipping lbs Kg | | | | Unit Model # | LIST PRICE \$ | Shipping lbs Kg | |
| KEHA006L6-HS1C | 6520 | 141 | 64 | 115/1/60 | RFT22C1E-IAA | KEHA006L6-IS1C | 5366 | 119 | 54 |
| KEHA006L6-HS2C | 6290 | 141 | 64 | 208-230/1/60 | RFT22C1E-CAV | KEHA006L6-IS2C | 5136 | 119 | 54 |
| KEHA008L6-HS1C | 6909 | 141 | 64 | 115/1/60 | RFT26C1E-CAA | KEHA008L6-IS1C | 5683 | 119 | 54 |
| KEHA008L6-HS2C | 6679 | 141 | 64 | 208-230/1/60 | RFT26C1E-CAV | KEHA008L6-IS2C | 5454 | 119 | 54 |

KEZ-LINE, "C" GENERATION INDOOR AND OUTDOOR AIR COOLED HERMETIC CONDENSING UNITS




 web: www.k-rp.com/kez
 email: smcu@k-rp.com
 call: 1-844-893-3222 x521



SMARTSPEED™
 FAN MOTOR TECHNOLOGY

NOMENCLATURE

KEZ A 010 M 8 - H T3 C - A

Model Series
 KEZ = Excel Hermetic Air Cooled Condensing Unit Line

Compressor Manufacturer
 A = Copeland

Nominal HP
 007 - 170 = 3/4 - 17 HP

Application Range
 L = Low Temp

Refrigerant*
 6 = R404A / R507
 8 = R407A / R407C / R448A / R22 / R404A / R507

Enclosure
 H = Outdoor
 I = Indoor

Voltage*

| | |
|-------------------|-------------------|
| S2 = 208/230-1-60 | T3 = 208/230-3-60 |
| S3 = 230-1-60 | T4 = 460-3-60 |
| S6 = 200/220-1-50 | T5 = 575-3-60 |
| S7 = 200-1-50 | T7 = 200/220-3-50 |
| | T9 = 380/400-3-50 |

* subject to compressor availability

Design Generation
 C = "C" Generation

Pre-Selected Factory Mounted Option Packages

- A = Standard Features (see below)
- B = Standard Features (see below)
Plus Sealed Liquid Line Filter Drier and Sight Glass
- C = Standard Features (see below)
*Plus Sealed Liquid Line Filter Drier and Sight Glass
 Plus Suction Accumulator
 Plus Electric Defrost Kit*
- D = Standard Features (see below)
*Plus Sealed Liquid Line Filter Drier and Sight Glass
 Plus Heated and Insulated Receiver*
- E = Standard Features (see below)
*Plus Sealed Liquid Line Filter Drier and Sight Glass
 Plus Heated and Insulated Receiver
 Plus Suction Accumulator
 Plus Electric Defrost Kit*
- F = Standard Features (see below)
*Plus Sealed liquid line filter drier and sight glass
 Plus Electric Defrost Kit*
- G = Standard Features (see below)
*Plus Sealed liquid line filter drier and sight glass
 Plus Electric Defrost Kit
 Plus Heated and insulated receiver*
- H = Standard Features (see below)
*Plus Sealed Liquid Line Filter Drier and Sight Glass
 Plus Timeclock*
- J = Standard Features (see below)
*Plus Sealed Liquid Line Filter Drier and Sight Glass
 Plus Heated and insulated receiver
 Plus Suction Accumulator*

Please see pages 17-19 for complete details of available factory installed options

KEZ-LINE, “C” GENERATION INDOOR AND OUTDOOR AIR COOLED HERMETIC CONDENSING UNITS

STANDARD FEATURES

Indoor Unit:

- Compatible with Low GWP Refrigerants
- Weatherproof electrical control box with compressor contactor and fused control circuit
- Copeland scroll compressor
- High efficiency enhanced tube and fin condenser design
- Energy efficient PSC condenser fan motor
- Receiver with fusible plug and liquid shut off valve
- Suction service valve
- Pre-formed copper tubing
- Liquid injection (low temp. models)
- Unit leak tested and shipped with helium holding charge
- Fixed high pressure switch and adjustable low pressure control
- Receiver inlet valve on 2 fan units only
- Discharge thermostat on applicable models only
- Painted cabinet
- Anti-short cycle time delay relay

Outdoor Unit: All Standard Features of Indoor Unit, Plus:

- Painted weather-resistant housing with removable hood
- Flooded head pressure control (non adjustable) 150 PSIG for optimal efficiency
- Crankcase heater
- Fan cycling control (all 2 fan models)

AVAILABLE OPTIONS

- Suction accumulator with and without boil-out coil
- Discharge line check valve
- Oil separator with and without oil return filter and solenoid valve
- Adjustable flooded head pressure control valves
- Receiver inlet ball valve
- Heated and Insulated receiver
- Over-sized receiver
- Sealed liquid line filter drier & sight-glass
- Ball valve - liquid line (shipped loose)
- Insulated suction lines
- Leg kits
- Discharge air hood
- Sub cooling circuit on 5 - 17 HP models
- Liquid line solenoid valve (with standard 230 volt coil) - shipped loose
- Variable speed EC motors only as head pressure control (see Bulletin K40-HPC-AG or <https://docs.k-rp.com/1101110.pdf> for details)
- QuickVac Evacuation and Refrigerant Recovery Valves
- Dual pressure control with flex hoses
- Compressor circuit breaker
- Current sensing relay - for use with oil safety control (where applicable)
- Defrost heater contactor c/w fuse block
- Evaporator fan contactor c/w fuse block
- Disconnect switch
- Disconnect fusing
- Pump down toggle switch
- Lock out control circuit relay
- Hoffmann speed control for condenser fan (replaces flooded valve)
- Mechanical time clock
- Electronic voltage / Phase monitor
- SmartSpeed Fan Motor Technology
- Limitrol+ Floating Head Pressure Control System (see Bulletin K40-LIMITROL-AG or <https://docs.k-rp.com/1101113.pdf> for details)

KEZ-LINE, "C" GENERATION INDOOR AND OUTDOOR AIR COOLED SCROLL CONDENSING UNITS

LOW TEMPERATURE - R407A R448A R404A R507

| OUTDOOR | | | | COPELAND | | INDOOR | | | |
|----------------|------------|----------|-----|--------------|--------------|----------------|------------|----------|-----|
| Unit Model # | LIST PRICE | Shipping | | | | Unit Model # | LIST PRICE | Shipping | |
| | \$ | lbs | Kg | Voltage | Compressor # | | \$ | lbs | Kg |
| KEZA008L8-HS2C | 9080 | 205 | 93 | 208-230/1/60 | ZF03KAE-PFV | KEZA008L8-IS2C | 8446 | 185 | 84 |
| KEZA008L8-HS7C | 9080 | 205 | 93 | 200/1/50 | ZF03KAE-PFV | KEZA008L8-IS7C | 8446 | 185 | 84 |
| KEZA008L8-HT3C | 9226 | 205 | 93 | 208-230/3/60 | ZF03KAE-TF5 | KEZA008L8-IT3C | 8592 | 185 | 84 |
| KEZA008L8-HT7C | 9226 | 205 | 93 | 200-220/3/50 | ZF03KAE-TF5 | KEZA008L8-IT7C | 8592 | 185 | 84 |
| KEZA010L8-HS2C | 9557 | 205 | 93 | 208-230/1/60 | ZF04KAE-PFV | KEZA010L8-IS2C | 8923 | 185 | 84 |
| KEZA010L8-HS7C | 9006 | 205 | 93 | 200/1/50 | ZF04KAE-PFV | KEZA010L8-IS7C | 8372 | 185 | 84 |
| KEZA010L8-HT3C | 9711 | 205 | 93 | 208-230/3/60 | ZF04KAE-TF5 | KEZA010L8-IT3C | 9076 | 185 | 84 |
| KEZA010L8-HT7C | 9711 | 205 | 93 | 200-220/3/50 | ZF04KAE-TF5 | KEZA010L8-IT7C | 9076 | 185 | 84 |
| KEZA015L8-HS2C | 10070 | 210 | 95 | 208-230/1/60 | ZF05KAE-PFV | KEZA015L8-IS2C | 9436 | 190 | 86 |
| KEZA015L8-HS7C | 10070 | 210 | 95 | 200/1/50 | ZF05KAE-PFV | KEZA015L8-IS7C | 9436 | 190 | 86 |
| KEZA015L8-HT3C | 10231 | 210 | 95 | 208-230/3/60 | ZF05KAE-TF5 | KEZA015L8-IT3C | 9597 | 190 | 86 |
| KEZA015L8-HT7C | 10231 | 210 | 95 | 200-220/3/50 | ZF05KAE-TF5 | KEZA015L8-IT7C | 9597 | 190 | 86 |
| KEZA020L8-HS2C | 10801 | 315 | 143 | 208-230/1/60 | ZF07KAE-PFV | KEZA020L8-IS2C | 10167 | 290 | 132 |
| KEZA020L8-HS7C | 10801 | 315 | 143 | 200/1/50 | ZF07KAE-PFV | KEZA020L8-IS7C | 10167 | 290 | 132 |
| KEZA020L8-HT3C | 10974 | 315 | 143 | 208-230/3/60 | ZF07KAE-TF5 | KEZA020L8-IT3C | 10340 | 290 | 132 |
| KEZA020L8-HT7C | 10974 | 315 | 143 | 200-220/3/50 | ZF07KAE-TF5 | KEZA020L8-IT7C | 10340 | 290 | 132 |
| KEZA025L8-HS2C | 12017 | 335 | 152 | 208-230/1/60 | ZF08K4E-PFV | KEZA025L8-IS2C | 11285 | 310 | 141 |
| KEZA025L8-HS7C | 12017 | 335 | 152 | 200/1/50 | ZF08K4E-PFV | KEZA025L8-IS7C | 11285 | 310 | 141 |
| KEZA025L8-HT3C | 12243 | 335 | 152 | 208-230/3/60 | ZF08K4E-TF5 | KEZA025L8-IT3C | 11511 | 310 | 141 |
| KEZA025L8-HT4C | 12872 | 335 | 152 | 460/3/60 | ZF08K4E-TFD | KEZA025L8-IT4C | 12140 | 310 | 141 |
| KEZA025L8-HT7C | 12243 | 335 | 152 | 200-220/3/50 | ZF08K4E-TF5 | KEZA025L8-IT7C | 11511 | 310 | 141 |
| KEZA025L8-HT9C | 12872 | 335 | 152 | 380-400/3/50 | ZF08K4E-TFD | KEZA025L8-IT9C | 12140 | 310 | 141 |
| KEZA030L8-HS2C | 12487 | 425 | 193 | 208-230/1/60 | ZF09K4E-PFV | KEZA030L8-IS2C | 11755 | 390 | 177 |
| KEZA030L8-HS7C | 12487 | 425 | 193 | 200/1/50 | ZF09K4E-PFV | KEZA030L8-IS7C | 11755 | 390 | 177 |
| KEZA030L8-HT3C | 12731 | 425 | 193 | 208-230/3/60 | ZF09K4E-TF5 | KEZA030L8-IT3C | 11999 | 390 | 177 |
| KEZA030L8-HT4C | 13366 | 425 | 193 | 460/3/60 | ZF09K4E-TFD | KEZA030L8-IT4C | 12634 | 390 | 177 |
| KEZA030L8-HT5C | 13646 | 425 | 193 | 575/3/60 | ZF09K4E-TFE | KEZA030L8-IT5C | 12915 | 390 | 177 |
| KEZA030L8-HT7C | 12731 | 425 | 193 | 200-220/3/50 | ZF09K4E-TF5 | KEZA030L8-IT7C | 11999 | 390 | 177 |
| KEZA030L8-HT9C | 13366 | 425 | 193 | 380-400/3/50 | ZF09K4E-TFD | KEZA030L8-IT9C | 12634 | 390 | 177 |
| KEZA035L8-HS2C | 13748 | 430 | 195 | 208-230/1/60 | ZF11K4E-PFV | KEZA035L8-IS2C | 13016 | 400 | 182 |
| KEZA035L8-HS7C | 13748 | 430 | 195 | 200/1/50 | ZF11K4E-PFV | KEZA035L8-IS7C | 13016 | 400 | 182 |
| KEZA035L8-HT3C | 13973 | 430 | 195 | 208-230/3/60 | ZF11K4E-TF5 | KEZA035L8-IT3C | 13241 | 400 | 182 |
| KEZA035L8-HT4C | 14612 | 430 | 195 | 460/3/60 | ZF11K4E-TFD | KEZA035L8-IT4C | 13880 | 400 | 182 |
| KEZA035L8-HT5C | 14917 | 430 | 195 | 575/3/60 | ZF11K4E-TFE | KEZA035L8-IT5C | 14185 | 400 | 182 |
| KEZA035L8-HT7C | 13973 | 430 | 195 | 200-220/3/50 | ZF11K4E-TF5 | KEZA035L8-IT7C | 13241 | 400 | 182 |
| KEZA035L8-HT9C | 14612 | 430 | 195 | 380-400/3/50 | ZF11K4E-TFD | KEZA035L8-IT9C | 13880 | 400 | 182 |
| KEZA045L8-HS2C | 15169 | 435 | 198 | 208-230/1/60 | ZF13K4E-PFV | KEZA045L8-IS2C | 14343 | 400 | 182 |
| KEZA045L8-HT3C | 15384 | 435 | 198 | 208-230/3/60 | ZF13K4E-TF5 | KEZA045L8-IT3C | 14558 | 400 | 182 |
| KEZA045L8-HT4C | 15862 | 435 | 198 | 460/3/60 | ZF13K4E-TFD | KEZA045L8-IT4C | 15036 | 400 | 182 |
| KEZA045L8-HT5C | 16192 | 435 | 198 | 575/3/60 | ZF13K4E-TFE | KEZA045L8-IT5C | 15366 | 400 | 182 |
| KEZA045L8-HT7C | 15384 | 435 | 198 | 200-220/3/50 | ZF13K4E-TF5 | KEZA045L8-IT7C | 14558 | 400 | 182 |
| KEZA045L8-HT9C | 15862 | 435 | 198 | 380-400/3/50 | ZF13K4E-TFD | KEZA045L8-IT9C | 15036 | 400 | 182 |
| KEZA055L8-HS2C | 15607 | 440 | 200 | 208-230/1/60 | ZF15K4E-PFV | KEZA055L8-IS2C | 14782 | 400 | 182 |
| KEZA055L8-HS7C | 15607 | 440 | 200 | 200/1/50 | ZF15K4E-PFV | KEZA055L8-IS7C | 14782 | 400 | 182 |
| KEZA055L8-HT3C | 15819 | 440 | 200 | 208-230/3/60 | ZF15K4E-TF5 | KEZA055L8-IT3C | 14993 | 400 | 182 |
| KEZA055L8-HT4C | 16296 | 440 | 200 | 460/3/60 | ZF15K4E-TFD | KEZA055L8-IT4C | 15470 | 400 | 182 |
| KEZA055L8-HT5C | 16635 | 440 | 200 | 575/3/60 | ZF15K4E-TFE | KEZA055L8-IT5C | 15809 | 400 | 182 |
| KEZA055L8-HT7C | 15819 | 440 | 200 | 200-220/3/50 | ZF15K4E-TF5 | KEZA055L8-IT7C | 14993 | 400 | 182 |
| KEZA055L8-HT9C | 16296 | 440 | 200 | 380-400/3/50 | ZF15K4E-TFD | KEZA055L8-IT9C | 15470 | 400 | 182 |
| KEZA060L8-HT3C | 17273 | 485 | 220 | 208-230/3/60 | ZF18K4E-TF5 | KEZA060L8-IT3C | 16448 | 450 | 205 |
| KEZA060L8-HT4C | 17772 | 485 | 220 | 460/3/60 | ZF18K4E-TFD | KEZA060L8-IT4C | 16946 | 450 | 205 |
| KEZA060L8-HT5C | 18140 | 485 | 220 | 575/3/60 | ZF18K4E-TFE | KEZA060L8-IT5C | 17315 | 450 | 205 |
| KEZA060L8-HT7C | 17273 | 485 | 220 | 200-220/3/50 | ZF18K4E-TF5 | KEZA060L8-IT7C | 16448 | 450 | 205 |
| KEZA060L8-HT9C | 17772 | 485 | 220 | 380-400/3/50 | ZF18K4E-TFD | KEZA060L8-IT9C | 16946 | 450 | 205 |
| KEZA075L8-HT3C | 27273 | 495 | 225 | 208-230/3/60 | ZF25K4E-TF5 | KEZA075L8-IT3C | 25876 | 460 | 209 |
| KEZA075L8-HT4C | 29009 | 495 | 225 | 460/3/60 | ZF25K4E-TFD | KEZA075L8-IT4C | 27611 | 460 | 209 |
| KEZA075L8-HT5C | 29607 | 495 | 225 | 575/3/60 | ZF25K4E-TFE | KEZA075L8-IT5C | 28210 | 460 | 209 |
| KEZA075L8-HT7C | 27273 | 495 | 225 | 200-220/3/50 | ZF25K4E-TF5 | KEZA075L8-IT7C | 25876 | 460 | 209 |
| KEZA075L8-HT9C | 29009 | 495 | 225 | 380-400/3/50 | ZF25K4E-TFD | KEZA075L8-IT9C | 27611 | 460 | 209 |

Continues on next page >>>

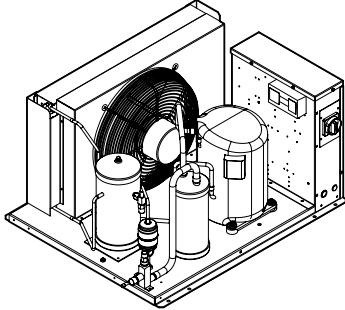
KEZ-LINE, "C" GENERATION INDOOR AND OUTDOOR AIR COOLED SCROLL CONDENSING UNITS

LOW TEMPERATURE - **R407A** **R448A** **R404A** **R507**

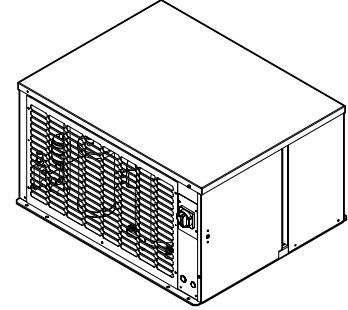
- Continued from previous page

| OUTDOOR | | | | COPELAND | | INDOOR | | | |
|----------------|------------------|----------|-----|--------------|--------------|----------------|------------------|----------|-----|
| Unit Model # | LIST PRICE \$ | Shipping | | Voltage | Compressor # | Unit Model # | LIST PRICE \$ | Shipping | |
| | | lbs | Kg | | | | | lbs | Kg |
| KEZA085L8-HT3C | 30673 | 525 | 239 | 208-230/3/60 | ZF28K4E-TFC | KEZA085L8-IT3C | 29276 | 480 | 218 |
| KEZA085L8-HT4C | 32450 | 525 | 239 | 460/3/60 | ZF28K4E-TFD | KEZA085L8-IT4C | 31053 | 480 | 218 |
| KEZA085L8-HT5C | 33118 | 525 | 239 | 575/3/60 | ZF28K4E-TFE | KEZA085L8-IT5C | 31721 | 480 | 218 |
| KEZA085L8-HT7C | 30673 | 525 | 239 | 200-220/3/50 | ZF28K4E-TFC | KEZA085L8-IT7C | 29276 | 480 | 218 |
| KEZA085L8-HT9C | 32450 | 525 | 239 | 380-400/3/50 | ZF28K4E-TFD | KEZA085L8-IT9C | 31053 | 480 | 218 |
| KEZA100L8-HT3C | 34073 | 545 | 248 | 208-230/3/60 | ZF34K5E-TFC | KEZA100L8-IT3C | 32676 | 500 | 227 |
| KEZA100L8-HT4C | 35892 | 545 | 248 | 460/3/60 | ZF34K5E-TFD | KEZA100L8-IT4C | 34495 | 500 | 227 |
| KEZA100L8-HT5C | 36628 | 545 | 248 | 575/3/60 | ZF34K5E-TFE | KEZA100L8-IT5C | 35231 | 500 | 227 |
| KEZA100L8-HT7C | 34073 | 545 | 248 | 200-220/3/50 | ZF34K5E-TFC | KEZA100L8-IT7C | 32676 | 500 | 227 |
| KEZA100L8-HT9C | 35892 | 545 | 248 | 380-400/3/50 | ZF34K5E-TFD | KEZA100L8-IT9C | 34495 | 500 | 227 |
| KEZA130L8-HT3C | 38376 | 725 | 330 | 208-230/3/60 | ZF41K5E-TFC | KEZA130L8-IT3C | 36863 | 670 | 305 |
| KEZA130L8-HT4C | 39310 | 725 | 330 | 460/3/60 | ZF41K5E-TFD | KEZA130L8-IT4C | 37797 | 670 | 305 |
| KEZA130L8-HT5C | 40115 | 725 | 330 | 575/3/60 | ZF41K5E-TFE | KEZA130L8-IT5C | 38601 | 670 | 305 |
| KEZA130L8-HT7C | 38376 | 725 | 330 | 200-220/3/50 | ZF41K5E-TFC | KEZA130L8-IT7C | 36863 | 670 | 305 |
| KEZA130L8-HT9C | 39310 | 725 | 330 | 380-400/3/50 | ZF41K5E-TFD | KEZA130L8-IT9C | 37797 | 670 | 305 |
| KEZA150L8-HT3C | 39660 | 745 | 339 | 208-230/3/60 | ZF49K5E-TFC | KEZA150L8-IT3C | 38146 | 690 | 314 |
| KEZA150L8-HT4C | 40599 | 745 | 339 | 460/3/60 | ZF49K5E-TFD | KEZA150L8-IT4C | 39086 | 690 | 314 |
| KEZA150L8-HT5C | 41430 | 745 | 339 | 575/3/60 | ZF49K5E-TFE | KEZA150L8-IT5C | 39916 | 690 | 314 |
| KEZA150L8-HT7C | 39660 | 745 | 339 | 200-220/3/50 | ZF49K5E-TFC | KEZA150L8-IT7C | 38146 | 690 | 314 |
| KEZA150L8-HT9C | 40599 | 745 | 339 | 380-400/3/50 | ZF49K5E-TFD | KEZA150L8-IT9C | 39086 | 690 | 314 |
| KEZA170L8-HT3C | 43582 | 955 | 434 | 208-230/3/60 | ZF54K5E-TFC | KEZA170L8-IT3C | 41919 | 900 | 409 |
| KEZA170L8-HT4C | 44470 | 955 | 434 | 460/3/60 | ZF54K5E-TFD | KEZA170L8-IT4C | 42812 | 900 | 409 |
| KEZA170L8-HT5C | 45050 | 955 | 434 | 575/3/60 | ZF54K5E-TFE | KEZA170L8-IT5C | 43404 | 900 | 409 |
| KEZA170L8-HT7C | 43582 | 955 | 434 | 200-220/3/50 | ZF54K5E-TFC | KEZA170L8-IT7C | 41919 | 900 | 409 |
| KEZA170L8-HT9C | 44470 | 955 | 434 | 380-400/3/50 | ZF54K5E-TFD | KEZA170L8-IT9C | 42812 | 900 | 409 |

KES-LINE, "C" GENERATION INDOOR AND OUTDOOR AIR COOLED HERMETIC CONDENSING UNITS




 web: www.k-rp.com/kes
 email: smcu@k-rp.com
 call: 1-844-893-3222 x521



SMARTSPEED™
 FAN MOTOR TECHNOLOGY

NOMENCLATURE

KEZ A 010 M 8 - H T3 C - A

Model Series

KES = Excel Hermetic Air Cooled Condensing Unit Line

Compressor Manufacturer

A = Copeland
B = Blitzer

Nominal HP

015 - 220 = 1.5 - 22 HP

Application Range

L = Low Temp M = Medium Temperature

Refrigerant*

8 = R407A / R407C / R448A / R22 / R404A / R507 / R448

Enclosure

H = Outdoor
I = Indoor

Voltage*

| | |
|-------------------|-------------------|
| S2 = 208/230-1-60 | T3 = 208/230-3-60 |
| S3 = 230-1-60 | T4 = 460-3-60 |
| S6 = 200/220-1-50 | T5 = 575-3-60 |
| S7 = 200-1-50 | T7 = 200/220-3-50 |
| | T9 = 380/400-3-50 |

* subject to compressor availability

Design Generation

C = "C" Generation

Pre-Selected Factory Mounted Option Packages

- A = Standard Features (see below)
- B = Standard Features (see below)
Plus Sealed Liquid Line Filter Drier and Sight Glass
- C = Standard Features (see below)
*Plus Sealed Liquid Line Filter Drier and Sight Glass
Plus Suction Accumulator
Plus Electric Defrost Kit*
- D = Standard Features (see below)
*Plus Sealed Liquid Line Filter Drier and Sight Glass
Plus Heated and Insulated Receiver*
- E = Standard Features (see below)
*Plus Sealed Liquid Line Filter Drier and Sight Glass
Plus Heated and Insulated Receiver
Plus Suction Accumulator
Plus Electric Defrost Kit*
- F = Standard Features (see below)
*Plus Sealed liquid line filter drier and sight glass
Plus Electric Defrost Kit*
- G = Standard Features (see below)
*Plus Sealed liquid line filter drier and sight glass
Plus Electric Defrost Kit
Plus Heated and insulated receiver*
- H = Standard Features (see below)
*Plus Sealed Liquid Line Filter Drier and Sight Glass
Plus Timeclock*
- J = Standard Features (see below)
*Plus Sealed Liquid Line Filter Drier and Sight Glass
Plus Heated and insulated receiver
Plus Suction Accumulator*

Please see pages 17-19 for complete details of available factory installed options

KES-LINE, "C" GENERATION INDOOR AND OUTDOOR AIR COOLED HERMETIC CONDENSING UNITS

STANDARD FEATURES

Indoor Unit:

- Compatible with Low GWP Refrigerants
- Weatherproof electrical control box with compressor contactor and fused control circuit
- Spring mounted accessible semi-hermetic compressor with suction and discharge vibration eliminator
- High efficiency enhanced tube and fin condenser design
- Energy efficient PSC condenser fan motor
- Receiver with fusible plug and liquid shut off valve
- Fixed high pressure switch and adjustable low pressure control
- Receiver inlet and outlet shut off valve (8 HP and above)
- Suction service valve
- Pre-formed copper tubing

- Unit leak tested and shipped with helium holding charge
- Electronic liquid injection on L* units
- Painted cabinet

Outdoor Unit: All Standard Features of Indoor Unit, Plus:

- Painted weather-resistant housing with removable hood
- Flooded head pressure control (non adjustable) 150 PSIG for optimal efficiency
- Adjustable head pressure control on large 2 fan models
- Crankcase heater
- Fan cycling control (all 2 fan models)

AVAILABLE OPTIONS

- Suction accumulator
- Suction accumulator with boil-out coil
- Discharge line Check valve
- Oil separator
- Oil separator c/w oil return filter & solenoid valve
- Adjustable head pressure control valves
- Receiver inlet ball valve (standard on 2 fan models)
- Heated and Insulated receiver
- Over-sized receiver
- Sealed liquid line filter drier & sight-glass
- Ball valve - liquid line (shipped loose)
- Insulated suction lines
- Leg Kits
- Discharge air hood
- Sub cooling circuit on 5 - 22 HP models
- Variable speed EC motors only as head pressure control (see Bulletin K40-HPC-AG or <https://docs.k-rp.com/1101110.pdf> for details)
- QuickVac Evacuation and Refrigerant Recovery Valves
- Liquid line solenoid valve-(with standard 230 volt coil)-shipped loose
- Compressor Circuit breaker
- Current sensing relay - for use with Oil safety control (where applicable)
- Defrost heater contactor c/w fuse block
- Evaporator Fan contactor c/w fuse block
- Disconnect switch
- Disconnect Fusing
- Pump down toggle switch
- Lock out control circuit
- Hoffmann Speed control for condenser fan (replaces flooded valve)
- Time delay relay for compressor
- Mechanical Time Clock
- Defrost
- Electronic Voltage/Phase Monitor
- **SmartSpeed Fan Motor Technology** (see page 4)
- Limitrol® Floating Head Pressure Control System (see page 5 or Bulletin K40-HPC-AG or <https://docs.k-rp.com/1101113.pdf> for details)

KES-LINE, "C" GENERATION INDOOR AND OUTDOOR AIR COOLED SEMI-HERMETIC CONDENSING UNITS

LOW TEMPERATURE - R404A R507

| OUTDOOR | | | | COPELAND | | INDOOR | | | |
|----------------|---------------|----------|-----|--------------|-----------------|----------------|---------------|----------|-----|
| Unit Model # | LIST PRICE \$ | Shipping | | | | Unit Model # | LIST PRICE \$ | Shipping | |
| | | lbs | Kg | Voltage | Compressor # | | lbs | Kg | |
| KESA035L6-HT4C | 28113 | 588 | 267 | 460/3/60 | 2DF3F16KETFDC40 | KESA035L6-IT4C | 27517 | 543 | 247 |
| KESA035L6-HT5C | 28697 | 588 | 267 | 575/3/60 | 2DF3F16KETFEC40 | KESA035L6-IT5C | 28088 | 543 | 247 |
| KESA035L6-HT7C | 26265 | 588 | 267 | 200-220/3/50 | 2DF3F16KETFCC40 | KESA035L6-IT7C | 25667 | 543 | 247 |
| KESA035L6-HT9C | 28113 | 588 | 267 | 380-400/3/50 | 2DF3F16KETFDC40 | KESA035L6-IT9C | 27517 | 543 | 247 |
| KESA040L6-HT3C | 28632 | 618 | 281 | 208-230/3/60 | 2DL3F20KETFCC40 | KESA040L6-IT3C | 28034 | 573 | 260 |
| KESA040L6-HT4C | 30483 | 618 | 281 | 460/3/60 | 2DL3F20KETFDC40 | KESA040L6-IT4C | 29882 | 573 | 260 |
| KESA040L6-HT5C | 31109 | 618 | 281 | 575/3/60 | 2DL3F20KETFEC40 | KESA040L6-IT5C | 30500 | 573 | 260 |
| KESA040L6-HT7C | 28632 | 618 | 281 | 200-220/3/50 | 2DL3F20KETFCC40 | KESA040L6-IT7C | 28034 | 573 | 260 |
| KESA040L6-HT9C | 30483 | 618 | 281 | 380-400/3/50 | 2DL3F20KETFDC40 | KESA040L6-IT9C | 29882 | 573 | 260 |
| KESA060L6-HT3C | 30134 | 781 | 355 | 208-230/3/60 | 2DB3F25KETFCC40 | KESA060L6-IT3C | 29535 | 736 | 335 |
| KESA060L6-HT4C | 31985 | 781 | 355 | 460/3/60 | 2DB3F25KETFDC40 | KESA060L6-IT4C | 31387 | 736 | 335 |
| KESA060L6-HT5C | 32644 | 781 | 355 | 575/3/60 | 2DB3F25KETFEC40 | KESA060L6-IT5C | 32033 | 736 | 335 |
| KESA060L6-HT7C | 30134 | 781 | 355 | 200-220/3/50 | 2DB3F25KETFCC40 | KESA060L6-IT7C | 29535 | 736 | 335 |
| KESA060L6-HT9C | 31985 | 781 | 355 | 380-400/3/50 | 2DB3F25KETFDC40 | KESA060L6-IT9C | 31387 | 736 | 335 |
| KESA061L6-HT3C | 31970 | 819 | 372 | 208-230/3/60 | 3DA3F28KETFCC40 | KESA061L6-IT3C | 31371 | 774 | 352 |
| KESA061L6-HT4C | 33817 | 819 | 372 | 460/3/60 | 3DA3F28KETFDC40 | KESA061L6-IT4C | 33221 | 774 | 352 |
| KESA061L6-HT5C | 34514 | 819 | 372 | 575/3/60 | 3DA3F28KETFEC40 | KESA061L6-IT5C | 33904 | 774 | 352 |
| KESA061L6-HT7C | 31970 | 819 | 372 | 200-220/3/50 | 3DA3F28KETFCC40 | KESA061L6-IT7C | 31371 | 774 | 352 |
| KESA061L6-HT9C | 33817 | 819 | 372 | 380-400/3/50 | 3DA3F28KETFDC40 | KESA061L6-IT9C | 33221 | 774 | 352 |
| KESA075L6-HT3C | 37510 | 827 | 376 | 208-230/3/60 | 3DB3F33KETFCC40 | KESA075L6-IT3C | 36910 | 782 | 355 |
| KESA075L6-HT4C | 39363 | 827 | 376 | 460/3/60 | 3DB3F33KETFDC40 | KESA075L6-IT4C | 38763 | 782 | 355 |
| KESA075L6-HT5C | 40170 | 827 | 376 | 575/3/60 | 3DB3F33KETFEC40 | KESA075L6-IT5C | 39555 | 782 | 355 |
| KESA075L6-HT7C | 37510 | 827 | 376 | 200-220/3/50 | 3DB3F33KETFCC40 | KESA075L6-IT7C | 36910 | 782 | 355 |
| KESA075L6-HT9C | 39363 | 827 | 376 | 380-400/3/50 | 3DB3F33KETFDC40 | KESA075L6-IT9C | 38763 | 782 | 355 |
| KESA090L6-HT3C | 41347 | 885 | 402 | 208-230/3/60 | 3DF3F40KETFCC40 | KESA090L6-IT3C | 40549 | 830 | 377 |
| KESA090L6-HT4C | 43196 | 885 | 402 | 460/3/60 | 3DF3F40KETFDC40 | KESA090L6-IT4C | 42395 | 830 | 377 |
| KESA090L6-HT5C | 44081 | 885 | 402 | 575/3/60 | 3DF3F40KETFEC40 | KESA090L6-IT5C | 43266 | 830 | 377 |
| KESA090L6-HT7C | 41347 | 885 | 402 | 200-220/3/50 | 3DF3F40KETFCC40 | KESA090L6-IT7C | 40549 | 830 | 377 |
| KESA090L6-HT9C | 43196 | 885 | 402 | 380-400/3/50 | 3DF3F40KETFDC40 | KESA090L6-IT9C | 42395 | 830 | 377 |
| KESA100L6-HT3C | 44558 | 830 | 377 | 208-230/3/60 | 3DS3F46KETFCC40 | KESA100L6-IT3C | 43755 | 830 | 377 |
| KESA100L6-HT4C | 45513 | 830 | 377 | 460/3/60 | 3DS3F46KETFDC40 | KESA100L6-IT4C | 44710 | 830 | 377 |
| KESA100L6-HT5C | 46440 | 830 | 377 | 575/3/60 | 3DS3F46KETFEC40 | KESA100L6-IT5C | 45623 | 830 | 377 |
| KESA100L6-HT7C | 44558 | 830 | 377 | 200-220/3/50 | 3DS3F46KETFCC40 | KESA100L6-IT7C | 43755 | 830 | 377 |
| KESA100L6-HT9C | 45513 | 830 | 377 | 380-400/3/50 | 3DS3F46KETFDC40 | KESA100L6-IT9C | 44710 | 830 | 377 |
| KESA120L6-HD7C | 45276 | 1185 | 539 | 200/3/50 | 4DBNF54KETSCK00 | KESA120L6-ID7C | 44442 | 1130 | 514 |
| KESA120L6-HT3C | 46863 | 1185 | 539 | 208-230/3/60 | 4DBNF54KETSCK00 | KESA120L6-IT3C | 46026 | 1130 | 514 |
| KESA120L6-HT4C | 47817 | 1185 | 539 | 460/3/60 | 4DBNF54KETSCK00 | KESA120L6-IT4C | 46965 | 1130 | 514 |
| KESA120L6-HT5C | 45276 | 1185 | 539 | 575/3/60 | 4DANF47KETSCK00 | KESA120L6-IT5C | 44442 | 1130 | 514 |
| KESA120L6-HT9C | 46863 | 1185 | 539 | 380-400/3/50 | 4DBNF54KETSCK00 | KESA120L6-IT9C | 45727 | 1130 | 514 |
| KESA130L6-HD7C | 47046 | 1185 | 539 | 200/3/50 | 4DBNF54KETSCK00 | KESA130L6-ID7C | 47098 | 1130 | 514 |
| KESA130L6-HT3C | 45504 | 1185 | 539 | 208-230/3/60 | 4DBNF54KETSCK00 | KESA130L6-IT3C | 44665 | 1130 | 514 |
| KESA130L6-HT4C | 47098 | 1185 | 539 | 460/3/60 | 4DBNF54KETSCK00 | KESA130L6-IT4C | 46257 | 1130 | 514 |
| KESA130L6-HT5C | 48057 | 1185 | 539 | 575/3/60 | 4DBNF54KETSEC00 | KESA130L6-IT5C | 47201 | 1130 | 514 |
| KESA130L6-HT9C | 45504 | 1185 | 539 | 380-400/3/50 | 4DBNF54KETSCK00 | KESA130L6-IT9C | 44665 | 1130 | 514 |
| KESA150L6-HD7C | 45957 | 1185 | 539 | 200/3/50 | 4DHNF63KETSCK05 | KESA150L6-ID7C | 51079 | 1130 | 514 |
| KESA150L6-HT3C | 47282 | 1185 | 539 | 208-230/3/60 | 4DHNF63KETSCK05 | KESA150L6-IT3C | 46442 | 1130 | 514 |
| KESA150L6-HT4C | 51079 | 1185 | 539 | 460/3/60 | 4DHNF63KETSCK05 | KESA150L6-IT4C | 50238 | 1130 | 514 |
| KESA150L6-HT5C | 52128 | 1185 | 539 | 575/3/60 | 4DHNF63KETSEC05 | KESA150L6-IT5C | 51269 | 1130 | 514 |
| KESA150L6-HT9C | 47282 | 1185 | 539 | 380-400/3/50 | 4DHNF63KETSCK05 | KESA150L6-IT9C | 46442 | 1130 | 514 |
| KESA220L6-HD7C | 50238 | 1185 | 539 | 200/3/50 | 4DJNF76KETSCK05 | KESA220L6-ID7C | 56302 | 1130 | 514 |
| KESA220L6-HT3C | 55585 | 1185 | 539 | 208-230/3/60 | 4DJNF76KETSCK05 | KESA220L6-IT3C | 54745 | 1130 | 514 |
| KESA220L6-HT4C | 56302 | 1185 | 539 | 460/3/60 | 4DJNF76KETSCK05 | KESA220L6-IT4C | 55977 | 1130 | 514 |
| KESA220L6-HT5C | 57452 | 1185 | 539 | 575/3/60 | 4DJNF76KETSEC05 | KESA220L6-IT5C | 56594 | 1130 | 514 |
| KESA220L6-HT9C | 55585 | 1185 | 539 | 380-400/3/50 | 4DJNF76KETSCK05 | KESA220L6-IT9C | 54745 | 1130 | 514 |

KES-LINE, "C" GENERATION INDOOR AND OUTDOOR AIR COOLED SEMI-HERMETIC CONDENSING UNITS

LOW TEMPERATURE - R407A R448A

| OUTDOOR | | | | COPELAND | | INDOOR | | | |
|----------------|---------------|----------|-----|--------------|-----------------|----------------|---------------|----------|-----|
| Unit Model # | LIST PRICE \$ | Shipping | | Voltage | Compressor # | Unit Model # | LIST PRICE \$ | Shipping | |
| | | lbs | Kg | | | | | lbs | Kg |
| KESA035L8-HT3C | 29367 | 588 | 267 | 208-230/3/60 | 2DF3F16KETFCC40 | KESA035L8-IT3C | 28770 | 543 | 247 |
| KESA035L8-HT4C | 31216 | 588 | 267 | 460/3/60 | 2DF3F16KETFDC40 | KESA035L8-IT4C | 30620 | 543 | 247 |
| KESA035L8-HT5C | 31800 | 588 | 267 | 575/3/60 | 2DF3F16KETFEC40 | KESA035L8-IT5C | 31191 | 543 | 247 |
| KESA035L8-HT7C | 29367 | 588 | 267 | 200-220/3/50 | 2DF3F16KETFCC40 | KESA035L8-IT7C | 28770 | 543 | 247 |
| KESA035L8-HT9C | 31216 | 588 | 267 | 380-400/3/50 | 2DF3F16KETFDC40 | KESA035L8-IT9C | 30620 | 543 | 247 |
| KESA040L8-HT3C | 31735 | 618 | 281 | 208-230/3/60 | 2DL3F20KETFCC40 | KESA040L8-IT3C | 31136 | 573 | 260 |
| KESA040L8-HT4C | 33586 | 618 | 281 | 460/3/60 | 2DL3F20KETFDC40 | KESA040L8-IT4C | 32985 | 573 | 260 |
| KESA040L8-HT5C | 34212 | 618 | 281 | 575/3/60 | 2DL3F20KETFEC40 | KESA040L8-IT5C | 33603 | 573 | 260 |
| KESA040L8-HT7C | 31735 | 618 | 281 | 200-220/3/50 | 2DL3F20KETFCC40 | KESA040L8-IT7C | 31136 | 573 | 260 |
| KESA040L8-HT9C | 33586 | 618 | 281 | 380-400/3/50 | 2DL3F20KETFDC40 | KESA040L8-IT9C | 32985 | 573 | 260 |
| KESA060L8-HT3C | 33237 | 781 | 355 | 208-230/3/60 | 2DB3F25KETFCC40 | KESA060L8-IT3C | 32637 | 736 | 335 |
| KESA060L8-HT4C | 35088 | 781 | 355 | 460/3/60 | 2DB3F25KETFDC40 | KESA060L8-IT4C | 34489 | 736 | 335 |
| KESA060L8-HT5C | 35746 | 781 | 355 | 575/3/60 | 2DB3F25KETFEC40 | KESA060L8-IT5C | 35136 | 736 | 335 |
| KESA060L8-HT7C | 33237 | 781 | 355 | 200-220/3/50 | 2DB3F25KETFCC40 | KESA060L8-IT7C | 32637 | 736 | 335 |
| KESA060L8-HT9C | 35088 | 781 | 355 | 380-400/3/50 | 2DB3F25KETFDC40 | KESA060L8-IT9C | 34489 | 736 | 335 |
| KESA061L8-HT3C | 35072 | 819 | 372 | 208-230/3/60 | 3DA3F28KETFCC40 | KESA061L8-IT3C | 34474 | 774 | 352 |
| KESA061L8-HT4C | 36920 | 819 | 372 | 460/3/60 | 3DA3F28KETFDC40 | KESA061L8-IT4C | 36324 | 774 | 352 |
| KESA061L8-HT5C | 37617 | 819 | 372 | 575/3/60 | 3DA3F28KETFEC40 | KESA061L8-IT5C | 37007 | 774 | 352 |
| KESA061L8-HT7C | 35072 | 819 | 372 | 200-220/3/50 | 3DA3F28KETFCC40 | KESA061L8-IT7C | 34474 | 774 | 352 |
| KESA061L8-HT9C | 36920 | 819 | 372 | 380-400/3/50 | 3DA3F28KETFDC40 | KESA061L8-IT9C | 36324 | 774 | 352 |
| KESA075L8-HT3C | 40613 | 827 | 376 | 208-230/3/60 | 3DB3F33KETFCC40 | KESA075L8-IT3C | 40013 | 782 | 355 |
| KESA075L8-HT4C | 42465 | 827 | 376 | 460/3/60 | 3DB3F33KETFDC40 | KESA075L8-IT4C | 41865 | 782 | 355 |
| KESA075L8-HT5C | 43273 | 827 | 376 | 575/3/60 | 3DB3F33KETFEC40 | KESA075L8-IT5C | 42657 | 782 | 355 |
| KESA075L8-HT7C | 40613 | 827 | 376 | 200-220/3/50 | 3DB3F33KETFCC40 | KESA075L8-IT7C | 40013 | 782 | 355 |
| KESA075L8-HT9C | 42465 | 827 | 376 | 380-400/3/50 | 3DB3F33KETFDC40 | KESA075L8-IT9C | 41865 | 782 | 355 |
| KESA090L8-HT3C | 44450 | 885 | 402 | 208-230/3/60 | 3DF3F40KETFCC40 | KESA090L8-IT3C | 43652 | 830 | 377 |
| KESA090L8-HT4C | 46298 | 885 | 402 | 460/3/60 | 3DF3F40KETFDC40 | KESA090L8-IT4C | 45497 | 830 | 377 |
| KESA090L8-HT5C | 47184 | 885 | 402 | 575/3/60 | 3DF3F40KETFEC40 | KESA090L8-IT5C | 46369 | 830 | 377 |
| KESA090L8-HT7C | 44450 | 885 | 402 | 200-220/3/50 | 3DF3F40KETFCC40 | KESA090L8-IT7C | 43652 | 830 | 377 |
| KESA090L8-HT9C | 46298 | 885 | 402 | 380-400/3/50 | 3DF3F40KETFDC40 | KESA090L8-IT9C | 45497 | 830 | 377 |
| KESA100L8-HT3C | 47660 | 830 | 377 | 208-230/3/60 | 3DS3F46KETFCC40 | KESA100L8-IT3C | 46858 | 830 | 377 |
| KESA100L8-HT4C | 48616 | 830 | 377 | 460/3/60 | 3DS3F46KETFDC40 | KESA100L8-IT4C | 47812 | 830 | 377 |
| KESA100L8-HT5C | 49542 | 830 | 377 | 575/3/60 | 3DS3F46KETFEC40 | KESA100L8-IT5C | 48726 | 830 | 377 |
| KESA100L8-HT7C | 47660 | 830 | 377 | 200-220/3/50 | 3DS3F46KETFCC40 | KESA100L8-IT7C | 46858 | 830 | 377 |
| KESA100L8-HT9C | 48616 | 830 | 377 | 380-400/3/50 | 3DS3F46KETFDC40 | KESA100L8-IT9C | 47812 | 830 | 377 |
| KESA120L8-HD7C | 45276 | 1185 | 539 | 200/3/50 | 4DBNF54KETSCK00 | KESA120L8-ID7C | 44442 | 1130 | 514 |
| KESA120L8-HT3C | 46863 | 1185 | 539 | 208-230/3/60 | 4DBNF54KETSCK00 | KESA120L8-IT3C | 46026 | 1130 | 514 |
| KESA120L8-HT4C | 47817 | 1185 | 539 | 460/3/60 | 4DBNF54KETSCK00 | KESA120L8-IT4C | 46965 | 1130 | 514 |
| KESA120L8-HT5C | 45276 | 1185 | 539 | 575/3/60 | 4DANF47KETSCK00 | KESA120L8-IT5C | 44442 | 1130 | 514 |
| KESA120L8-HT9C | 46863 | 1185 | 539 | 380-400/3/50 | 4DBNF54KETSCK00 | KESA120L8-IT9C | 45727 | 1130 | 514 |
| KESA130L8-HD7C | 47046 | 1185 | 539 | 200/3/50 | 4DBNF54KETSCK00 | KESA130L8-ID7C | 50201 | 1130 | 514 |
| KESA130L8-HT3C | 48606 | 1185 | 539 | 208-230/3/60 | 4DBNF54KETSCK00 | KESA130L8-IT3C | 47768 | 1130 | 514 |
| KESA130L8-HT4C | 50201 | 1185 | 539 | 460/3/60 | 4DBNF54KETSCK00 | KESA130L8-IT4C | 49359 | 1130 | 514 |
| KESA130L8-HT5C | 51160 | 1185 | 539 | 575/3/60 | 4DBNF54KETSEC00 | KESA130L8-IT5C | 50303 | 1130 | 514 |
| KESA130L8-HT9C | 48606 | 1185 | 539 | 380-400/3/50 | 4DBNF54KETSCK00 | KESA130L8-IT9C | 47768 | 1130 | 514 |
| KESA150L8-HD7C | 49059 | 1185 | 539 | 200/3/50 | 4DHNF63KETSCK05 | KESA150L8-ID7C | 54182 | 1130 | 514 |
| KESA150L8-HT3C | 50385 | 1185 | 539 | 208-230/3/60 | 4DHNF63KETSCK05 | KESA150L8-IT3C | 49545 | 1130 | 514 |
| KESA150L8-HT4C | 54182 | 1185 | 539 | 460/3/60 | 4DHNF63KETSCK05 | KESA150L8-IT4C | 53340 | 1130 | 514 |
| KESA150L8-HT5C | 55231 | 1185 | 539 | 575/3/60 | 4DHNF63KETSEC05 | KESA150L8-IT5C | 54371 | 1130 | 514 |
| KESA150L8-HT9C | 50385 | 1185 | 539 | 380-400/3/50 | 4DHNF63KETSCK05 | KESA150L8-IT9C | 49545 | 1130 | 514 |
| KESA220L8-HD7C | 53340 | 1185 | 539 | 200/3/50 | 4DJNF76KETSCK05 | KESA220L8-ID7C | 59404 | 1130 | 514 |
| KESA220L8-HT3C | 58687 | 1185 | 539 | 208-230/3/60 | 4DJNF76KETSCK05 | KESA220L8-IT3C | 57848 | 1130 | 514 |
| KESA220L8-HT4C | 59404 | 1185 | 539 | 460/3/60 | 4DJNF76KETSCK05 | KESA220L8-IT4C | 59079 | 1130 | 514 |
| KESA220L8-HT5C | 60554 | 1185 | 539 | 575/3/60 | 4DJNF76KETSEC05 | KESA220L8-IT5C | 59696 | 1130 | 514 |
| KESA220L8-HT9C | 58687 | 1185 | 539 | 380-400/3/50 | 4DJNF76KETSCK05 | KESA220L8-IT9C | 57848 | 1130 | 514 |

KES-LINE, "C" GENERATION INDOOR AND OUTDOOR AIR COOLED SEMI-HERMETIC CONDENSING UNITS

LOW TEMPERATURE - R404A R507

| OUTDOOR | | | | BITZER | | INDOOR | | | |
|----------------|---------------|----------|-----|--------------|---------------|----------------|---------------|----------|-----|
| Unit Model # | LIST PRICE \$ | Shipping | | Voltage | Compressor # | Unit Model # | LIST PRICE \$ | Shipping | |
| | | lbs | Kg | | | | | lbs | Kg |
| KESB015L6-HS2C | 11939 | 350 | 159 | 208-230/1/60 | 2FES-2-2EU-Y | KESB015L6-IS2C | 10513 | 330 | 150 |
| KESB015L6-HT3C | 11889 | 350 | 159 | 208-230/3/60 | 2FES-2-2DU-Y | KESB015L6-IT3C | 10467 | 330 | 150 |
| KESB015L6-HT4C | 14191 | 350 | 159 | 460/3/60 | 2FES-2-4SU-Y | KESB015L6-IT4C | 12755 | 330 | 150 |
| KESB015L6-HT5C | 14952 | 350 | 159 | 575/3/60 | 2FES-2-5SU-Y | KESB015L6-IT5C | 13443 | 330 | 150 |
| KESB015L6-HT7C | 11889 | 350 | 159 | 200-220/3/50 | 2FES-2-2DU-Y | KESB015L6-IT7C | 10467 | 330 | 150 |
| KESB015L6-HT9C | 14191 | 350 | 159 | 380-400/3/50 | 2FES-2-4SU-Y | KESB015L6-IT9C | 12755 | 330 | 150 |
| KESB020L6-HT3C | 14363 | 360 | 164 | 208-230/3/60 | 2EES-2-2DU-Y | KESB020L6-IT3C | 12913 | 340 | 155 |
| KESB020L6-HT4C | 17651 | 360 | 164 | 460/3/60 | 2EES-2-4SU-Y | KESB020L6-IT4C | 16191 | 340 | 155 |
| KESB020L6-HT5C | 18587 | 360 | 164 | 575/3/60 | 2EES-2-5SU-Y | KESB020L6-IT5C | 17054 | 340 | 155 |
| KESB020L6-HT7C | 14363 | 360 | 164 | 200-220/3/50 | 2EES-2-2DU-Y | KESB020L6-IT7C | 12913 | 340 | 155 |
| KESB020L6-HT9C | 17651 | 360 | 164 | 380-400/3/50 | 2EES-2-4SU-Y | KESB020L6-IT9C | 16191 | 340 | 155 |
| KESB025L6-HT3C | 14769 | 375 | 170 | 208-230/3/60 | 2DES-2-2DU-0Y | KESB025L6-IT3C | 13494 | 355 | 161 |
| KESB025L6-HT4C | 17175 | 375 | 170 | 460/3/60 | 2DES-2-4SU-0Y | KESB025L6-IT4C | 15921 | 355 | 161 |
| KESB025L6-HT5C | 17553 | 375 | 170 | 575/3/60 | 2DES-2-5SU-Y | KESB025L6-IT5C | 15921 | 355 | 161 |
| KESB025L6-HT7C | 14769 | 375 | 170 | 200-220/3/50 | 2DES-2-2DU-0Y | KESB025L6-IT7C | 13494 | 355 | 161 |
| KESB025L6-HT9C | 17175 | 375 | 170 | 380-400/3/50 | 2DES-2-4SU-0Y | KESB025L6-IT9C | 15921 | 355 | 161 |
| KESB030L6-HT3C | 19032 | 436 | 198 | 208-230/3/60 | 2CES-3-2DU-Y | KESB030L6-IT3C | 17630 | 391 | 178 |
| KESB030L6-HT4C | 20673 | 436 | 198 | 460/3/60 | 2CES-3-4SU-Y | KESB030L6-IT4C | 19102 | 391 | 178 |
| KESB030L6-HT5C | 21140 | 436 | 198 | 575/3/60 | 2CES-3-5SU-Y | KESB030L6-IT5C | 19535 | 391 | 178 |
| KESB030L6-HT7C | 19032 | 436 | 198 | 200-220/3/50 | 2CES-3-2DU-Y | KESB030L6-IT7C | 17630 | 391 | 178 |
| KESB030L6-HT9C | 20673 | 436 | 198 | 380-400/3/50 | 2CES-3-4SU-Y | KESB030L6-IT9C | 19102 | 391 | 178 |
| KESB031L6-HT3C | 19806 | 463 | 210 | 208-230/3/60 | 4FES-3-2DU-1Y | KESB031L6-IT3C | 18578 | 418 | 190 |
| KESB031L6-HT4C | 21226 | 463 | 210 | 460/3/60 | 4FES-3-4SU-1Y | KESB031L6-IT4C | 19988 | 418 | 190 |
| KESB031L6-HT5C | 21705 | 463 | 210 | 575/3/60 | 4FES-3-5SU-1Y | KESB031L6-IT5C | 20441 | 418 | 190 |
| KESB031L6-HT7C | 19806 | 463 | 210 | 200-220/3/50 | 4FES-3-2DU-1Y | KESB031L6-IT7C | 18578 | 418 | 190 |
| KESB031L6-HT9C | 21226 | 463 | 210 | 380-400/3/50 | 4FES-3-4SU-1Y | KESB031L6-IT9C | 19988 | 418 | 190 |

LOW TEMPERATURE - R448A R407A

| OUTDOOR | | | | BITZER | | INDOOR | | | |
|----------------|---------------|----------|-----|--------------|---------------|----------------|---------------|----------|-----|
| Unit Model # | LIST PRICE \$ | Shipping | | Voltage | Compressor # | Unit Model # | LIST PRICE \$ | Shipping | |
| | | lbs | Kg | | | | | lbs | Kg |
| KESB015L8-HS2C | 13892 | 350 | 159 | 208-230/1/60 | 2FES-2-2EU-Y | KESB015L8-IS2C | 12473 | 330 | 150 |
| KESB015L8-HT3C | 13841 | 350 | 159 | 208-230/3/60 | 2FES-2-2DU-Y | KESB015L8-IT3C | 12427 | 330 | 150 |
| KESB015L8-HT4C | 16132 | 350 | 159 | 460/3/60 | 2FES-2-4SU-Y | KESB015L8-IT4C | 14703 | 330 | 150 |
| KESB015L8-HT5C | 16889 | 350 | 159 | 575/3/60 | 2FES-2-5SU-Y | KESB015L8-IT5C | 15388 | 330 | 150 |
| KESB015L8-HT7C | 13841 | 350 | 159 | 200-220/3/50 | 2FES-2-2DU-Y | KESB015L8-IT7C | 12427 | 330 | 150 |
| KESB015L8-HT9C | 16132 | 350 | 159 | 380-400/3/50 | 2FES-2-4SU-Y | KESB015L8-IT9C | 14703 | 330 | 150 |
| KESB020L8-HT3C | 20969 | 360 | 164 | 208-230/3/60 | 2EES-2-2DU-Y | KESB020L8-IT3C | 19527 | 340 | 155 |
| KESB020L8-HT4C | 24241 | 360 | 164 | 460/3/60 | 2EES-2-4SU-Y | KESB020L8-IT4C | 22788 | 340 | 155 |
| KESB020L8-HT5C | 25172 | 360 | 164 | 575/3/60 | 2EES-2-5SU-Y | KESB020L8-IT5C | 23646 | 340 | 155 |
| KESB020L8-HT7C | 20969 | 360 | 164 | 200-220/3/50 | 2EES-2-2DU-Y | KESB020L8-IT7C | 19527 | 340 | 155 |
| KESB020L8-HT9C | 24241 | 360 | 164 | 380-400/3/50 | 2EES-2-4SU-Y | KESB020L8-IT9C | 22788 | 340 | 155 |
| KESB025L8-HT3C | 21373 | 375 | 170 | 208-230/3/60 | 2DES-2-2DU-0Y | KESB025L8-IT3C | 20105 | 355 | 161 |
| KESB025L8-HT4C | 23767 | 375 | 170 | 460/3/60 | 2DES-2-4SU-0Y | KESB025L8-IT4C | 22519 | 355 | 161 |
| KESB025L8-HT5C | 24144 | 375 | 170 | 575/3/60 | 2DES-2-5SU-Y | KESB025L8-IT5C | 22519 | 355 | 161 |
| KESB025L8-HT7C | 21373 | 375 | 170 | 200-220/3/50 | 2DES-2-2DU-0Y | KESB025L8-IT7C | 20105 | 355 | 161 |
| KESB025L8-HT9C | 23767 | 375 | 170 | 380-400/3/50 | 2DES-2-4SU-0Y | KESB025L8-IT9C | 22519 | 355 | 161 |
| KESB030L8-HT3C | 25614 | 436 | 198 | 208-230/3/60 | 2CES-3-2DU-Y | KESB030L8-IT3C | 24219 | 391 | 178 |
| KESB030L8-HT4C | 27247 | 436 | 198 | 460/3/60 | 2CES-3-4SU-Y | KESB030L8-IT4C | 25684 | 391 | 178 |
| KESB030L8-HT5C | 27711 | 436 | 198 | 575/3/60 | 2CES-3-5SU-Y | KESB030L8-IT5C | 26115 | 391 | 178 |
| KESB030L8-HT7C | 25614 | 436 | 198 | 200-220/3/50 | 2CES-3-2DU-Y | KESB030L8-IT7C | 24219 | 391 | 178 |
| KESB030L8-HT9C | 27247 | 436 | 198 | 380-400/3/50 | 2CES-3-4SU-Y | KESB030L8-IT9C | 25684 | 391 | 178 |

Continues on next page >>>

KES-LINE, "C" GENERATION INDOOR AND OUTDOOR AIR COOLED SEMI-HERMETIC CONDENSING UNITS

LOW TEMPERATURE - **R404A** **R507** - *Continued from previous page*

| OUTDOOR | | | | BITZER | | INDOOR | | | |
|----------------|---------------|----------|-----|--------------|----------------|----------------|---------------|----------|-----|
| Unit Model # | LIST PRICE \$ | Shipping | | Voltage | Compressor # | Unit Model # | LIST PRICE \$ | Shipping | |
| | | lbs | Kg | | | | | lbs | Kg |
| KESB039L6-HT3C | 28632 | 479 | 218 | 208-230/3/60 | 4EES-4-2DU-1Y | KESB039L6-IT3C | 28101 | 434 | 197 |
| KESB039L6-HT4C | 29788 | 479 | 218 | 460/3/60 | 4EES-4-4SU-1Y | KESB039L6-IT4C | 29235 | 434 | 197 |
| KESB039L6-HT5C | 30410 | 479 | 218 | 575/3/60 | 4EES-4-5SU-1Y | KESB039L6-IT5C | 29845 | 434 | 197 |
| KESB039L6-HT7C | 28632 | 479 | 218 | 200-220/3/50 | 4EES-4-2DU-1Y | KESB039L6-IT7C | 28101 | 434 | 197 |
| KESB039L6-HT9C | 29788 | 479 | 218 | 380-400/3/50 | 4EES-4-4SU-1Y | KESB039L6-IT9C | 29235 | 434 | 197 |
| KESB050L6-HT3C | 30134 | 647 | 294 | 208-230/3/60 | 4DES-5-2DU-1Y | KESB050L6-IT3C | 29577 | 602 | 274 |
| KESB050L6-HT4C | 31348 | 647 | 294 | 460/3/60 | 4DES-5-4SU-1Y | KESB050L6-IT4C | 30765 | 602 | 274 |
| KESB050L6-HT5C | 32002 | 647 | 294 | 575/3/60 | 4DES-5-5SU-1Y | KESB050L6-IT5C | 31408 | 602 | 274 |
| KESB050L6-HT7C | 30134 | 647 | 294 | 200-220/3/50 | 4DES-5-2DU-1Y | KESB050L6-IT7C | 29577 | 602 | 274 |
| KESB050L6-HT9C | 31348 | 647 | 294 | 380-400/3/50 | 4DES-5-4SU-1Y | KESB050L6-IT9C | 30765 | 602 | 274 |
| KESB060L6-HT3C | 36348 | 658 | 299 | 208-230/3/60 | 4CES-6-2DU-1Y | KESB060L6-IT3C | 35676 | 613 | 279 |
| KESB060L6-HT4C | 37802 | 658 | 299 | 460/3/60 | 4CES-6-4SU-1Y | KESB060L6-IT4C | 37105 | 613 | 279 |
| KESB060L6-HT5C | 38586 | 658 | 299 | 575/3/60 | 4CES-6-5SU-1Y | KESB060L6-IT5C | 37876 | 613 | 279 |
| KESB060L6-HT7C | 36348 | 658 | 299 | 200-220/3/50 | 4CES-6-2DU-1Y | KESB060L6-IT7C | 35676 | 613 | 279 |
| KESB060L6-HT9C | 37802 | 658 | 299 | 380-400/3/50 | 4CES-6-4SU-1Y | KESB060L6-IT9C | 37105 | 613 | 279 |
| KESB080L6-HT3C | 38885 | 790 | 359 | 208-230/3/60 | 4TES-9-2NU-1Y | KESB080L6-IT3C | 38168 | 735 | 334 |
| KESB080L6-HT4C | 40440 | 790 | 359 | 460/3/60 | 4TES-9-2NU-1Y | KESB080L6-IT4C | 39692 | 735 | 334 |
| KESB080L6-HT5C | 41276 | 790 | 359 | 575/3/60 | 4TES-9-5PU-1Y | KESB080L6-IT5C | 40517 | 735 | 334 |
| KESB080L6-HT7C | 38885 | 790 | 359 | 200-220/3/50 | 4TES-9-2NU-1Y | KESB080L6-IT7C | 38168 | 735 | 334 |
| KESB080L6-HT9C | 40440 | 790 | 359 | 380-400/3/50 | 4TES-9-2NU-1Y | KESB080L6-IT9C | 39692 | 735 | 334 |
| KESB100L6-HT3C | 44558 | 800 | 364 | 208-230/3/60 | 4PES-12-2NU-1Y | KESB100L6-IT3C | 43737 | 745 | 339 |
| KESB100L6-HT4C | 46331 | 800 | 364 | 460/3/60 | 4PES-12-2NU-1Y | KESB100L6-IT4C | 45481 | 745 | 339 |
| KESB100L6-HT5C | 47286 | 800 | 364 | 575/3/60 | 4PES-12-5PU-1Y | KESB100L6-IT5C | 46420 | 745 | 339 |
| KESB100L6-HT7C | 44558 | 800 | 364 | 200-220/3/50 | 4PES-12-2NU-1Y | KESB100L6-IT7C | 43737 | 745 | 339 |
| KESB100L6-HT9C | 46331 | 800 | 364 | 380-400/3/50 | 4PES-12-2NU-1Y | KESB100L6-IT9C | 45481 | 745 | 339 |
| KESB120L6-HT3C | 45504 | 805 | 366 | 208-230/3/60 | 4NES-14-2NU-1Y | KESB120L6-IT3C | 44667 | 750 | 341 |
| KESB120L6-HT4C | 47315 | 805 | 366 | 460/3/60 | 4NES-14-2NU-1Y | KESB120L6-IT4C | 46445 | 750 | 341 |
| KESB120L6-HT5C | 48290 | 805 | 366 | 575/3/60 | 4NES-14-5PU-1Y | KESB120L6-IT5C | 47404 | 750 | 341 |
| KESB120L6-HT7C | 45504 | 805 | 366 | 200-220/3/50 | 4NES-14-2NU-1Y | KESB120L6-IT7C | 44667 | 750 | 341 |
| KESB120L6-HT9C | 47315 | 805 | 366 | 380-400/3/50 | 4NES-14-2NU-1Y | KESB120L6-IT9C | 46445 | 750 | 341 |

Continues on next page >>>

KES-LINE, "C" GENERATION INDOOR AND OUTDOOR AIR COOLED SEMI-HERMETIC CONDENSING UNITS

LOW TEMPERATURE - **R448A** **R407A** - Continued from previous page

| OUTDOOR | | | | BITZER | | INDOOR | | | |
|----------------|---------------|----------|-----|--------------|----------------|----------------|---------------|----------|-----|
| Unit Model # | LIST PRICE \$ | Shipping | | Voltage | Compressor # | Unit Model # | LIST PRICE \$ | Shipping | |
| | | lbs | Kg | | | | | lbs | Kg |
| KESB031L8-HT3C | 26384 | 463 | 210 | 208-230/3/60 | 4FES-3-2DU-1Y | KESB031L8-IT3C | 25162 | 418 | 190 |
| KESB031L8-HT4C | 27797 | 463 | 210 | 460/3/60 | 4FES-3-4SU-1Y | KESB031L8-IT4C | 26566 | 418 | 190 |
| KESB031L8-HT5C | 28273 | 463 | 210 | 575/3/60 | 4FES-3-5SU-1Y | KESB031L8-IT5C | 27016 | 418 | 190 |
| KESB031L8-HT7C | 26384 | 463 | 210 | 200-220/3/50 | 4FES-3-2DU-1Y | KESB031L8-IT7C | 25162 | 418 | 190 |
| KESB031L8-HT9C | 27797 | 463 | 210 | 380-400/3/50 | 4FES-3-4SU-1Y | KESB031L8-IT9C | 26566 | 418 | 190 |
| KESB039L8-HT3C | 32684 | 479 | 218 | 208-230/3/60 | 4EES-4-2DU-1Y | KESB039L8-IT3C | 32095 | 434 | 197 |
| KESB039L8-HT4C | 34678 | 479 | 218 | 460/3/60 | 4EES-4-4SU-1Y | KESB039L8-IT4C | 33715 | 434 | 197 |
| KESB039L8-HT5C | 35307 | 479 | 218 | 575/3/60 | 4EES-4-5SU-1Y | KESB039L8-IT5C | 34701 | 434 | 197 |
| KESB039L8-HT7C | 32684 | 479 | 218 | 200-220/3/50 | 4EES-4-2DU-1Y | KESB039L8-IT7C | 32095 | 434 | 197 |
| KESB039L8-HT9C | 34678 | 479 | 218 | 380-400/3/50 | 4EES-4-4SU-1Y | KESB039L8-IT9C | 33715 | 434 | 197 |
| KESB050L8-HT3C | 32374 | 647 | 294 | 208-230/3/60 | 4DES-5-2DU-1Y | KESB050L8-IT3C | 31819 | 602 | 274 |
| KESB050L8-HT4C | 34175 | 647 | 294 | 460/3/60 | 4DES-5-4SU-1Y | KESB050L8-IT4C | 33622 | 602 | 274 |
| KESB050L8-HT5C | 34787 | 647 | 294 | 575/3/60 | 4DES-5-5SU-1Y | KESB050L8-IT5C | 34223 | 602 | 274 |
| KESB050L8-HT7C | 32374 | 647 | 294 | 200-220/3/50 | 4DES-5-2DU-1Y | KESB050L8-IT7C | 31819 | 602 | 274 |
| KESB050L8-HT9C | 34175 | 647 | 294 | 380-400/3/50 | 4DES-5-4SU-1Y | KESB050L8-IT9C | 33622 | 602 | 274 |
| KESB060L8-HT3C | 37879 | 658 | 299 | 208-230/3/60 | 4CES-6-2DU-1Y | KESB060L8-IT3C | 37253 | 613 | 279 |
| KESB060L8-HT4C | 39937 | 658 | 299 | 460/3/60 | 4CES-6-4SU-1Y | KESB060L8-IT4C | 39309 | 613 | 279 |
| KESB060L8-HT5C | 40670 | 658 | 299 | 575/3/60 | 4CES-6-5SU-1Y | KESB060L8-IT5C | 40029 | 613 | 279 |
| KESB060L8-HT7C | 37879 | 658 | 299 | 200-220/3/50 | 4CES-6-2DU-1Y | KESB060L8-IT7C | 37253 | 613 | 279 |
| KESB060L8-HT9C | 39937 | 658 | 299 | 380-400/3/50 | 4CES-6-4SU-1Y | KESB060L8-IT9C | 39309 | 613 | 279 |
| KESB080L8-HT3C | 49656 | 790 | 359 | 208-230/3/60 | 4TES-9-2NU-1Y | KESB080L8-IT3C | 47916 | 735 | 334 |
| KESB080L8-HT4C | 51575 | 790 | 359 | 460/3/60 | 4TES-9-2NU-1Y | KESB080L8-IT4C | 49760 | 735 | 334 |
| KESB080L8-HT5C | 52496 | 790 | 359 | 575/3/60 | 4TES-9-5PU-1Y | KESB080L8-IT5C | 50644 | 735 | 334 |
| KESB080L8-HT7C | 49656 | 790 | 359 | 200-220/3/50 | 4TES-9-2NU-1Y | KESB080L8-IT7C | 47916 | 735 | 334 |
| KESB080L8-HT9C | 51575 | 790 | 359 | 380-400/3/50 | 4TES-9-2NU-1Y | KESB080L8-IT9C | 49760 | 735 | 334 |
| KESB100L8-HT3C | 52989 | 800 | 364 | 208-230/3/60 | 4PES-12-2NU-1Y | KESB100L8-IT3C | 51117 | 745 | 339 |
| KESB100L8-HT4C | 53981 | 800 | 364 | 460/3/60 | 4PES-12-2NU-1Y | KESB100L8-IT4C | 52071 | 745 | 339 |
| KESB100L8-HT5C | 54944 | 800 | 364 | 575/3/60 | 4PES-12-5PU-1Y | KESB100L8-IT5C | 52996 | 745 | 339 |
| KESB100L8-HT7C | 52989 | 800 | 364 | 200-220/3/50 | 4PES-12-2NU-1Y | KESB100L8-IT7C | 51117 | 745 | 339 |
| KESB100L8-HT9C | 53981 | 800 | 364 | 380-400/3/50 | 4PES-12-2NU-1Y | KESB100L8-IT9C | 52071 | 745 | 339 |
| KESB120L8-HT3C | 56322 | 805 | 366 | 208-230/3/60 | 4NES-14-2NU-1Y | KESB120L8-IT3C | 53347 | 750 | 341 |
| KESB120L8-HT4C | 56389 | 805 | 366 | 460/3/60 | 4NES-14-2NU-1Y | KESB120L8-IT4C | 53409 | 750 | 341 |
| KESB120L8-HT5C | 57395 | 805 | 366 | 575/3/60 | 4NES-14-5PU-1Y | KESB120L8-IT5C | 54356 | 750 | 341 |
| KESB120L8-HT7C | 56322 | 805 | 366 | 200-220/3/50 | 4NES-14-2NU-1Y | KESB120L8-IT7C | 53347 | 750 | 341 |
| KESB120L8-HT9C | 56389 | 805 | 366 | 380-400/3/50 | 4NES-14-2NU-1Y | KESB120L8-IT9C | 53409 | 750 | 341 |

KEH/S/Z-LINE “C” GENERATION CONDENSING UNITS - FACTORY INSTALLED OPTIONS

OPTION PACKAGES - ALL COMPRESSOR MODELS

| Option Package | HP (Size) | Price |
|---|---------------|-------------|
| PACKAGE “A” STANDARD UNIT includes: • High efficiency PSC fan motors • Fan Guard • Enhanced tube condenser coil • Adjustable low pressure control • Copper tubing secured with cushion clamps • Receiver outlet valve • Flooded head pressure control (STD on Outdoor models) • Crankcase heater (STD on Outdoor models) | All MODELS | STD. |
| PACKAGE “B” includes: - All items in Package “A” + Sealed liquid line filter drier and sight glass | 0.5 - 2.9 | 683 |
| | 3.0 - 12 | 793 |
| | 15 + | 1093 |
| PACKAGE “C” includes: - All items in Package “A” + Sealed liquid line filter drier and sight glass + Electric Defrost Kit*(40A max on Htrs) + Suction accumulator | 0.5 - 2.9 | 2147 |
| | 3.0 - 7.5 | 2658 |
| | 7.6 - 12 | 3606 |
| | 15 + | 5020 |
| PACKAGE “D” includes: - All items in Package “A” + Sealed liquid line filter drier and sight glass + Heated and insulated receiver | 0.5 - 2.9 | 1154 |
| | 3.0 - 7.5 | 1831 |
| | 7.6 - 12 | 2200 |
| | 15 + | 2679 |
| PACKAGE “E” includes: - All items in Package “A” + Sealed liquid line filter drier and sight glass + Electric Defrost Kit* (40A max on Htrs) + Suction accumulator + Heated and insulated receiver. | 0.5 - 2.9 | 2619 |
| | 3.0 - 7.5 | 3696 |
| | 7.6 - 12 | 5313 |
| | 15 + | 6336 |
| PACKAGE “F” includes: - All items in Package “A” + Sealed liquid line filter drier and sight glass + Electric Defrost Kit* (40A max on Htrs) | 0.5 - 2.9 | 1599 |
| | 3.0 - 12 | 1709 |
| | 15 + | 2009 |
| PACKAGE “G” includes: - All items in Package “A” + Sealed liquid line filter drier and sight glass + Electric Defrost Kit* (40A max on Htrs) + Heated and insulated receiver. | 0.5 - 2.9 | 2071 |
| | 3.0 - 7.5 | 2747 |
| | 7.6 - 12 | 3116 |
| | 15 + | 3596 |
| PACKAGE “H” includes: - All items in Package “A” + Sealed liquid line filter drier and sight glass + Timeclock. | 0.5 - 2.9 | 1410 |
| | 3.0 - 12 | 1521 |
| | 15 + | 1820 |
| PACKAGE “J” includes: - All items in Package “A” + Sealed liquid line filter drier and sight glass + Heated and insulated receiver + Suction accumulator. | 0.5 - 2.9 | 1702 |
| | 3.0 - 7.5 | 2779 |
| | 7.6 - 12 | 4096 |
| | 15 + | 5419 |

* Electric Defrost Kit includes: Timeclock, defrost heater contactor (40A max.) and fan motor contactor (30A if required depending on matched evaporator)

KEH/S/Z-LINE "C" GENERATION CONDENSING UNITS - FACTORY INSTALLED OPTIONS

| Individual Options | HP (Size) | List Price \$ |
|---|------------------|---------------|
| Weatherhood housing (STD on Outdoor models) | Cabinet A | 551 |
| | Cabinet B | 674 |
| | Cabinet C | 793 |
| | Cabinet D | 1454 |
| | Cabinet E | 1601 |
| | Cabinet F | 1990 |
| Sealed liquid line filter drier and sight glass | 0.5 - 2.9 | 683 |
| | 3.0 - 12 | 793 |
| | 15 + | 1093 |
| Replaceable Core liquid line filter drier and sight glass | 2.9 - 12 | 1115 |
| | 15 + | 1364 |
| Suction accumulator without heat exchanger | 0.5 - 2.9 | 548 |
| | 3.0 - 7.5 | 948 |
| | 7.6 - 12 | 1896 |
| | 15 + | 2740 |
| Suction accumulator with heat exchanger | 0.5 - 2.9 | 767 |
| | 3.0 - 7.5 | 1314 |
| | 7.6 - 12 | 2629 |
| | 15 + | 4972 |
| Sealed suction filter | 0.5 - 2.9 | 438 |
| | 3.0 - 7.5 | 615 |
| | 7.6 - 12 | 1115 |
| | 15 + | 1445 |
| Replaceable core suction filter | 2.9 - 7.5 | 1184 |
| | 7.6 - 12 | 1449 |
| | 15 + | 2574 |
| Discharge line check valve | 0.5 - 6.1 | 536 |
| | 7.6 - 12 | 736 |
| | 15 + | 802 |
| Two valve adjustable flooded head pressure control | All Models | 826 |
| Oil separator | 2.9 - 7.5 | 1309 |
| | 7.6 - 22 | 1840 |
| Oil separator c/w oil filter and solenoid valve | 2.9 - 4.0 | 1654 |
| | 5.0 - 7.5 | 1732 |
| | 7.6 - 15 | 2264 |
| | 20 + | 2639 |
| Oversized Receiver | 0.5 - 2.9 | 1035 |
| | 3.0 - 12 | 1258 |
| | 15 + | 1406 |
| Heated and insulated receiver | 0.5 - 2.9 | 472 |
| | 3.0 - 7.5 | 1038 |
| | 7.6 - 12 | 1407 |
| | 15 + | 1587 |
| Receiver inlet ball valve | 7.5 HP and below | 603 |
| Liquid line solenoid valve with 230 volt coil (Shipped loose) | 0.5 - 5.0 | 676 |
| | 6.0 - 7.6 | 756 |
| | 8 + | 1240 |

| Individual Options | HP (Size) | List Price \$ |
|---|-------------------------|---------------|
| Adjustable pressure controls with flex hose | | |
| Adj Dual Pressure Control (Danfoss) | All Models | 399 |
| Adj Dual Pressure Control (Johnson) | All Models | 881 |
| Separate Johnson Low Pressure and High Pressure Controls | All Models | 1215 |
| Ball valve (Shipped loose) | All Models | 310 |
| Current Sensing Relay (for use w/oil safety control) | All Models | 796 |
| Compressor circuit breaker | 0.5 - 4.0 | 1650 |
| | 5.0 - 7.5 | 3091 |
| | 7.6 + | 4799 |
| Compressor time delay relay | All Models | 406 |
| Pump down toggle switch | All Models | 310 |
| Lock-out control circuit (for liquid line solenoid) | All Models | 1132 |
| Mechanical Time Clock | All Models | 728 |
| 30A or 40A Contactor | All Models | 460 |
| 60A Contactor | All Models | 632 |
| Electric Defrost Kit*: | | |
| 1 Evap per Compressor | Up to 40A Htr, 30A Fans | 916 |
| | Up to 60A Htr, 30A Fans | 1090 |
| | Up to 80A Htr, 30A Fans | 2374 |
| 2 Evaps per Compressor | Up to 40A Htr, 30A Fans | 1376 |
| | Up to 60A Htr, 30A Fans | 1711 |
| | Up to 80A Htr, 30A Fans | 3351 |
| 3 Evaps per Compressor | Up to 60A Htr, 30A Fans | 3451 |
| | Up to 80A Htr, 30A Fans | 4655 |
| Hoffman variable fan speed control (replaces flooding valve) Recommended for use in mild ambients only | | |
| | All Models | 2794 |
| Non-fused disconnect | 208 - 230 | 867 |
| | 460 - 575 | 1014 |
| Disconnect fusing | All Models | 513 |
| 3-Lead Phase / voltage monitor | All Models | 724 |
| 6-Lead Phase / voltage monitor | All Models | 1436 |
| Discharge Air Hood (Angled front) | Cabinet A | 486 |
| OR | Cabinet B | 518 |
| Hail Guard (Angled Condenser Cover) | Cabinet C | 546 |
| OR | Cabinet D | 633 |
| Wind Guard (if required, used only with ECM on open roof) | Cabinet E | 679 |
| | Cabinet F | 760 |
| 8" Leg Kit (factory mounted) | 0.5 - 2.9 | 405 |
| | 3.0 - 7.5 | 524 |
| | 7.6 + | 787 |

* Electric Defrost Kit includes: Timeclock, defrost heater contactor and fan motor contactor (30A if required depending on matched evaporator)

KEH/S/Z-LINE CONDENSING UNITS - FACTORY INSTALLED OPTIONS

OPTIONAL FIN MATERIAL/COATINGS - HORIZONTAL AIR COOLED CONDENSING UNITS

| CABINET SIZE * | "Gold Coat Fin" | Copper Fin | E-COAT |
|----------------|-----------------|--------------------------------|--------|
| A | 798 | Consult Factory for Pricing | 6436 |
| B | 1203 | | 6436 |
| C | 1606 | | 8156 |
| D | 1710 | | 8973 |
| E | 2083 | | 9459 |
| F | 2724 | | 10820 |

LIMITROL FOR KE-LINE CONDENSING UNITS

| CABINET | VOLTAGE | LIMITROL | LIMITROL WITH HEATED & INSULATED RECEIVER | LIMITROL WITH HEATED & INSULATED RECEIVER WITH WIND GUARD |
|------------------|-----------|----------|--|--|
| CABINETS A, B, C | 230V | - | - | - |
| | 460V/575V | - | - | - |
| CABINET D | 230V | 3983 | 5021 | 6145 |
| | 460V/575V | 5327 | 6365 | 7489 |
| CABINET E | 230V | 6040 | 7446 | 8596 |
| | 460V/575V | 7339 | 8745 | 9895 |
| CABINET F | 230V | 7752 | 9338 | 10566 |
| | 460V/575V | 10757 | 12343 | 13571 |

EC MOTORS FOR KE-LINE CONDENSING UNITS

| CABINET (see table below) | SMARTSPEED™ | VARIABLE SPEED | | |
|------------------------------|-------------|----------------|------|------|
| | 230V | 230V | 460V | 575V |
| A | 301 | 535 | 2277 | 2277 |
| B | 458 | 792 | 2734 | 2734 |
| C | 458 | 720 | 1254 | 2662 |
| D | 458 | 720 | 1254 | 2662 |
| E | 917 | 1276 | 2345 | 4696 |
| F | 1519 | 1813 | 2498 | 5233 |

HERMETIC

| MODEL (Copeland) | CHASSIS |
|------------------|---------|
| KEHA006M8 | A |
| KEHA008M8 | |
| KEHA009M8 | |
| KEHA010M8 | |
| KEHA011M8 | |
| KEHA013M8 | |
| KEHA015M6 | B |
| KEHA020M6 | B |
| KEHA025M6 | |
| KEHA029M6 | |
| KEHA030M6 | |
| KEHA035M6 | C |
| KEHA006L6 | A |
| KEHA008L6 | |
| KEHA010L6 | |
| KEHA015L6 | |
| KEHA020L6 | |
| KEHA025L6 | |
| KEHA030L6 | B |

SCROLL

| MODEL (Copeland) | CHASSIS |
|------------------|---------|
| KEZA008L8 | A |
| KEZA010L8 | |
| KEZA015L8 | |
| KEZA020L8 | |
| KEZA025L8 | B |
| KEZA030L8 | |
| KEZA035L8 | |
| KEZA045L8 | C |
| KEZA055L8 | |
| KEZA060L8 | D |
| KEZA075L8 | |
| KEZA085L8 | E |
| KEZA100L8 | |
| KEZA130L8 | F |
| KEZA150L8 | |
| KEZA170L8 | |

SEMI-HERMETIC

| MODEL (Copeland) | MODEL (Bitzer) | CHASSIS |
|------------------|----------------|---------|
| KESA010M8 | ---- | A |
| KESA020M8 | ---- | B |
| KESA021M8 | ---- | |
| KESA030M8 | ---- | C |
| KESA005L8 | ---- | A |
| KESA008L8 | ---- | |
| KESA010L8 | KESB010L 6/8 | B |
| KESA015L8 | KESB015L 6/8 | |
| KESA020L8 | KESB020L 6/8 | |
| KESA021L8 | KESB025L 6/8 | C |
| KESA030L8 | KESB030L 6/8 | |
| KESA032L8 | KESB031L 6/8 | |
| KESA035L 6/8 | ---- | |
| KESA040L 6/8 | KESB039L 6/8 | D |
| ---- | KESB050L 6/8 | |
| KESA060L 6/8 | KESB060L 6/8 | |
| KESA061L 6/8 | ---- | E |
| KESA075L 6/8 | ---- | |
| KESA090L 6/8 | KESB080L 6/8 | F |
| KESA100L 6/8 | KESB100L 6/8 | |
| ---- | KESB120L 6/8 | |
| KESA120L 6/8 | ---- | |
| KESA130L 6/8 | ---- | |
| KESA150L 6/8 | ---- | |
| KESA220L 6/8 | ---- | |



2024 Refrigeration Products Price List


KLP-2024-2C - EFFECTIVE DATE: 01 MARCH 2024 - SUPERCEDES: KLP-2023-3



NOTES

PRODUCT SUPPORT RESOURCES

| | |
|---|---|
|  <p>PRODUCT SUPPORT</p> | <p><i>web:</i> www.k-rp.com/support <i>email:</i> smcu@k-rp.com <i>call:</i> 1-844-893-3222 x521</p> |
|  <p>TROUBLESHOOTING</p> | <p><i>email:</i> troubleshooting@k-rp.com <i>call:</i> 1-844-893-3222 x529</p> |
|  <p>SERVICE PARTS</p> | <p><i>web:</i> www.k-rp.com/parts <i>email:</i> parts@k-rp.com <i>call:</i> 1-844-893-3222 x504</p> |
|  <p>WARRANTY</p> | <p><i>web:</i> www.k-rp.com/warranty <i>email:</i> warranty@k-rp.com <i>call:</i> 1-844-893-3222 x507</p> |
|  <p>ORDERS</p> | <p><i>email:</i> orders@k-rp.com <i>call:</i> 1-844-893-3222 x501</p> |
|  <p>SHIPPING</p> | <p><i>email:</i> shipping@k-rp.com <i>call:</i> 1-844-893-3222 x503</p> |

| | |
|--|---|
| <p>KeepRite REFRIGERATION</p> <p>KeepRite Refrigeration Brantford, ON • Longview, TX 1-800-463-9517 info@k-rp.com www.k-rp.com</p> |  |
|--|---|