

PRICE LIST

**EFFECTIVE DATE:
01 MARCH 2024**

SUPERCEDES:
KLP-2023-4

Bulletin KLP-2024-1

Part # 1090869-4



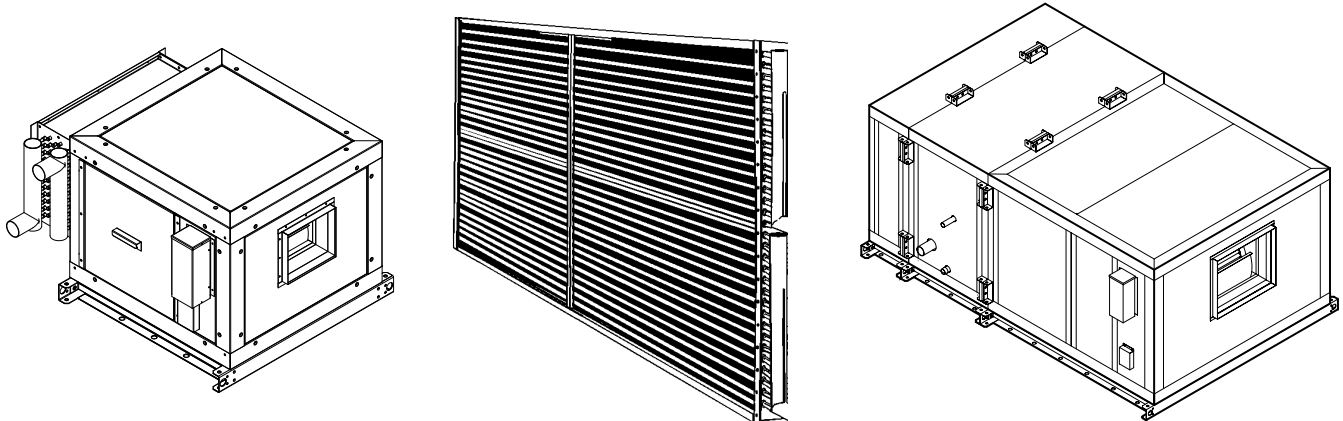
Prices are F.O.B. shipping point. Freight is allowed via lowest common carrier to nearest freight station in Canada and U.S.A. (except to Alaska or Hawaii) on shipments of \$7000 NET or more.

Shipments of less than \$7000 NET are F.O.B. shipping point and are not freight allowed.

Prices, weights and specifications subject to change without notice.

Terms: Net 30 days.

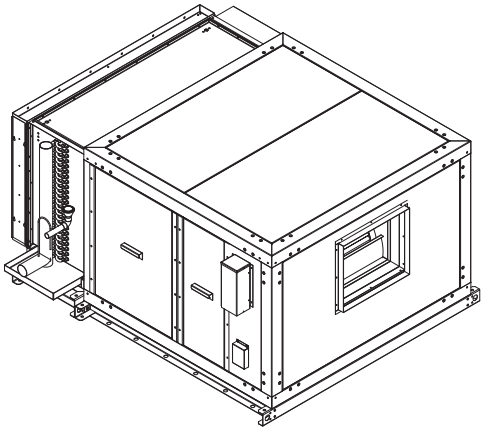
Subject to Terms and Conditions of Sale / General Warranty / Claims Procedures



CONTENTS

KAP Product Cooler	2 - 5
KAB Air Cooled Condenser	4 - 5
KAC, KAF, KAH Air Handlers	6 - 18
KAC, KAF, KAH Air Handler Coils.....	19 - 20
Options and Accessories for KA* Units.....	21 - 22
Free Standing Coils	23 - 27
KMR Medium Profile Heat Reclaim.....	28
Product Support Resources.....	BACK

KAP PRODUCT COOLERS



NOMENCLATURE

K AP 1 28 F - A - N - T4 A - 0000

K = KeepRite

Unit Style

AP = Air Handler,
Product Cooler

Model Number

1 = Number Of Fans
28 = Model Number

Blower Type

F = Forward Curved
A = Air Foil

Defrost Type

A = Air
E = Electric
G = Hot Gas

Manufacturing Options

Series / Generation
A = First Generation

Unit Electrical Designation

S1 = 115/1/60
S2 = 208/230/1/60
T3 = 208-230/3/60
T4 = 460/3/60
T5 = 575/3/60

Cabinet Type

I = Insulated
N = Non-Insulated



web: www.k-rp.com/kap
email: ahu@k-rp.com
call: 1-844-893-3222 x527

INDOOR KAP FAN SECTION

TYPE	PRODUCT NUMBER	LIST PRICE \$	
		NO INSULATION	WITH INSULATION
HIGH TEMP.	KAP108F-A	12522	13466
	KAP111F-A	16147	17266
	KAP114F-A	17086	18331
	KAP117F-A	18022	20682
	KAP122F-A	22312	24270
	KAP128F-A	33241	35527
	KAP137F-A	43186	46745
	KAP141F-A	51220	55193
	KAP150F-A	58875	62887
KAP164F-A	77353	81461	
ELECTRIC DEFROST	KAP108F-E	26003	26946
	KAP111F-E	29623	30742
	KAP114F-E	30921	32166
	KAP117F-E	31704	34364
	KAP122F-E	36326	38284
	KAP128F-E	47843	50128
	KAP137F-E	56947	60505
	KAP141F-E	69658	73631
	KAP150F-E	79718	83730
KAP164F-E	94305	98414	

INDOOR KAP FAN SECTION

TYPE	PRODUCT NUMBER	LIST PRICE \$	
		NO INSULATION	WITH INSULATION
HOT GAS DEFROST	KAP108F-G	15461	16404
	KAP111F-G	20868	21987
	KAP114F-G	23190	24435
	KAP117F-G	24472	27132
	KAP122F-G	29147	31105
	KAP128F-G	41566	43851
	KAP137F-G	49745	53303
	KAP141F-G	60369	64342
	KAP150F-G	69658	73670
	KAP164F-G	83687	87796

KAP OPTIONS

TYPE	PRODUCT NUMBER	FAN SECTION DRAIN PAN
ALL	KAP108F	816
	KAP111F	816
	KAP114F	884
	KAP117F	996
	KAP122F	1076
	KAP128F	1271
	KAP137F	Included
	KAP141F	Included
	KAP150F	Included
	KAP164F	Included
	KAP182F	Included

See separate price sheet for matching cooling coil prices.

PRICE NOTES:

- Fan Section includes blower and motor slide base.
- Installations with high humidity may require an OPTIONAL fan head drain pan - See OPTIONS for LIST Prices
- Removable coil drain pan extends under bends and coil connection.
- On high temperature unit, coil drain pan is insulated.
- Electric or hot gas defrost is recommended when used for entering air conditions below 38°F.
- Electric defrost price includes coil heater, drain pan heater, terminal box and heater transformers (where required). All mounted and wired. Fail-safe thermostat, fan delay thermostat, and defrost termination thermostat supplied mounted but not wired.
- Electric coil heaters may be 208/3/60, 460/3/60 and 575/3/60.
- Drain pan heaters are 230 volt, single phase.
- Hot gas defrost price includes distributor with side port connection. Drain pan hot gas circuit comes with complete drain pan assembly hot dipped galvanized.
- The following are not included: - timer, room thermostat, control circuit transformer, pressure switch and contactors.

KAP PRODUCT COOLERS

KAP REFRIGERATION COIL

MODEL	COIL SIZES (ft ²)	FPI	ROWS DEEP				
			4	5	6	8	10
			LIST PRICE \$				
KAP108	34 1/2" x 44" (10.5 ft ²)	4	6716	8413	9549	11221	14024
		6	6854	8585	9754	11487	14365
		8	7019	8795	10005	11817	14776
KAP111	34 1/2" x 59" (14.1 ft ²)	4	8012	9885	11302	13862	17328
		6	8186	10106	11578	13496	16872
		8	8413	10393	11914	13940	17427
KAP114	34 1/2" x 74" (17.1 ft ²)	4	9587	12365	14651	16306	20386
		6	9817	12652	14302	16764	20955
		8	10097	13002	14721	17355	21648
KAP117	34 1/2" x 89" (21.3 ft ²)	4	10720	13834	15721	18477	23101
		6	10995	14177	16139	19027	23789
		8	11332	14602	16637	19702	24627
KAP122	40 1/2" x 93" (26.2 ft ²)	4	12803	16012	19082	22408	28005
		6	13142	16430	19592	23081	28854
		8	13557	16949	20208	23907	29883
KAP128	40 1/2" x 116 1/4" (32.6 ft ²)	4	15037	19598	23218	27269	34090
		6	15748	20126	23846	28113	35139
		8	16261	20772	24618	29143	36430
KAP137	52 1/2" x 116 1/4" (43.6 ft ²)	4	16446	23929	29005	34060	42573
		6	19095	24633	29840	35180	43975
		8	19786	25493	30871	36559	45699
KAP141	61 1/2" x 116 1/4" (49.6 ft ²)	4	20973	27217	33352	39195	48994
		6	21609	28014	34340	40479	50596
		8	22359	28989	35514	42047	52555
KAP150	72" x 116 1/4" (58.1 ft ²)	4	23794	31018	38829	45157	56457
		6	24545	31955	39583	46658	58323
		8	25464	33103	40503	48490	60614
KAP164	90" x 116 1/4" (72.6 ft ²)	4	28633	37547	47206	55385	69229
		6	29571	38718	48574	57254	71573
		8	30716	40151	50296	59549	74437

PRICE NOTES:

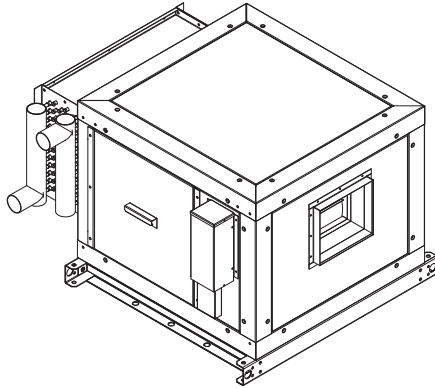
1. Coils are fabricated with seamless copper tubes 5/8" with (1.5"x1.299") tube centres staggered in direction of air flow. Tubes are mechanically expanded into fully collared aluminum fins. No water is used in the expansion process.
2. Fins have a V-waffle pattern for increased heat transfer and to provide additional stiffness to the fin. Fully drawn collars provide an efficient thermal bond with the tubes and allow accurate fin spacing.
3. All coil models have standard 0.0055" thick aluminum fin material and optional fin thickness of 0.0075" or 0.0090". Copper fin material is also available at 0.0055" fin thickness.

Fin Thickness	Fin Spacing	Fin Material
0.0055"	8 to 14 FPI	Aluminum & Copper
0.0075"	6 to 12 FPI	Aluminum
0.0090"	4.5 to 8 FPI	Aluminum

4. Coil casings are fabricated from 14 gauge galvanized sheet metal. Coil casing allows a maximum of 10 rows coil depth and is bolted directly to the fan section.
5. Headers are made from type L, seamless copper tubing with brazed copper end discs.
6. Direct expansion coils are supplied with suction and supply headers suitable for brazing to copper refrigerant line. Direct expansion coils are provided with 1/4" diameter equalizer line at the suction header.
7. Refrigerant distributors are factory installed. Distributors may be supplied with auxiliary side connections for hot gas defrost or capacity control as an option.
8. Coils are tested at 300 PSIG under water for several minutes to ensure leak free unit.
9. Product Cooler Coils may be provided with header modification and multiple refrigeration circuits.

Refer to Free Standing Coil Price Sheet for price adder on optional fin materials, header modification and multiple circuits. Consult factory for Copper fin and coil coating pricing.

KAB AIR COOLED CONDENSERS




 web: www.k-rp.com/kab
 email: ahu@k-rp.com
 call: 1-844-893-3222 x527

NOMENCLATURE

K AB 1 28 F - N - T4 A - 0000

K = KeepRite

Unit Style

AB = Air Handler, Bolt-On Air Cooled Condenser/Heat Reclaim

Model Number

1 = Number Of Fans

28 = Model Number

Blower Type

F = Forward Curved

A = Air Foil

Manufacturing Options

Series / Generation

A = First Generation

Unit Electrical Designation

S1 = 115/1/60

S2 = 208/230/1/60

T3 = 208-230/3/60

T4 = 460/3/60

T5 = 575/3/60

Cabinet Type

I = Insulated

N = Non-Insulated

INDOOR KAB FAN SECTION

PRODUCT NUMBER	LIST PRICE \$ NO INSULATION	LIST PRICE \$ WITH INSULATION
KAB103F	5768	6427
KAB104F	6287	7002
KAB106F	9069	9883
KAB108F	9821	10765
KAB111F	12258	13377
KAB114F	15288	16532
KAB117F	16911	19572
KAB122F	20837	22794
KAB128F	28080	30365
KAB137F	35337	38896
KAB141F	44983	48956
KAB150F	54369	58381
KAB164F	66495	70604
KAB182F	85197	90462

PRICE NOTES:

- Basic unit consists of a blower section with forward curved fan, extended nylon lubrication lines, adjustable motor mount, galvanized sheet metal cabinet with removable access panels.
- Coil, motor, V belt drive, fan section insulation are not included in fan section pricing.

KAB AIR COOLED CONDENSERS

KAB AIR COOLED CONDENSER COIL

MODEL	COIL SIZES (FACE AREA - ft ²)	FPI	NO. CIRCUIT	ROWS DEEP				
				2	3	4	6	8
				LIST PRICE \$				
KAB103	18" x 30" (3.75 ft ²)	8	1	2708	3302	4062	5279	6240
		10	1	2742	3354	4126	5383	6378
		12	1	2780	3415	4200	5489	6525
KAB104	21" x 36" (5.25 ft ²)	8	1	3216	3837	4818	6364	7515
		10	1	3261	3904	4915	6506	7709
		12	1	3311	3988	5017	6664	7917
KAB106	24" x 45" (7.50 ft ²)	8	1	4092	4647	5782	8007	9436
		10	1	4159	4654	5924	8213	9711
		12	1	4236	4859	6078	8436	10005
KAB108	33" x 44" (10.08 ft ²)	8	1	5001	5527	6933	9833	11571
		10	1	5089	5669	7109	10104	11943
		12	1	5186	5818	7314	10404	12343
KAB111	33" x 58" (13.29 ft ²)	8	1	6019	6594	8296	11939	14083
		10	1	6141	6773	8540	12307	14568
		12	1	6272	6971	8804	12701	15096
KAB114	33" x 74" (16.95 ft ²)	8	1	6969	7831	9878	14369	16951
		10	1	7118	8061	10194	14836	17572
		12	1	7287	8321	10526	15337	18244
KAB117	33" x 88" (20.16 ft ²)	8	1	7917	9021	11266	16495	19463
		10	1	8107	9294	11634	17046	20093
		12	1	8298	9589	12033	17651	21002
KAB122	39" x 92" (24.91 ft ²)	8	1	9197	9770	13178	19535	23065
		10	1	9425	10115	13638	20253	23981
		12	1	9675	10481	14130	21368	24972
KAB128	39" x 116" (31.41 ft ²)	8	1	11395	12776	15836	23837	28104
		10	1	11686	13198	16409	24706	29253
		12	1	11995	13670	17032	25638	30508
KAB137	51" x 116" (41.08 ft ²)	8	2	14502	17193	19305	30025	35389
		10	2	14879	17757	20063	31153	36897
		12	2	15292	18364	20880	32377	38533
KAB141	60" x 116" (48.33 ft ²)	8	2	16836	20508	21909	34636	40858
		10	2	17278	21167	22799	35960	42632
		12	2	17764	21891	23758	37405	44555
KAB150	69" x 116" (55.58 ft ²)	8	2	19174	23844	24516	39296	46322
		10	2	19677	24606	25529	40822	48357
		12	2	20235	25439	26651	42478	50571
KAB164	87" x 116" (70.08 ft ²)	8	2	23830	30449	31587	48565	57254
		10	2	24471	31413	32866	50497	59820
		12	2	25171	32460	34259	52589	62609
KAB182	87" x 153" (92.44 ft ²)	8	2	31431	40162	41662	64055	75516
		10	2	32276	41433	43350	66604	78900
		12	2	33199	42814	45186	69363	82579

PRICE NOTES:

1. Coils are fabricated with seamless 1/2" copper tubes (0.016") with (1.5"x1.299") tube centres staggered in direction of the airflow. Tubes are mechanically expanded into fully collared aluminum fins (water is not used in expansion process).
2. Coil has a maximum of 8 rows deep and is directly bolted to the fan section.
3. Coil is constructed with standard corrugated aluminum fin pattern for increased heat transfer and to provide additional stiffness to the fin. Fully drawn collars provide an efficient thermal bond with the tubes and allow accurate fin spacing.
4. Standard fin spacing for catalogued ratings is 12 FPI.
5. All coil models have standard 0.0055" thick aluminum fin material and optional fin thickness of 0.0075" or 0.0090". Copper fin material is also available at 0.0055" fin thickness.

Fin Thickness	Fin Spacing	Fin Material
0.0055"	8 to 14 FPI	Aluminum & Copper
0.0075"	6 to 12 FPI	Aluminum
0.0090"	4.5 to 8 FPI	Aluminum

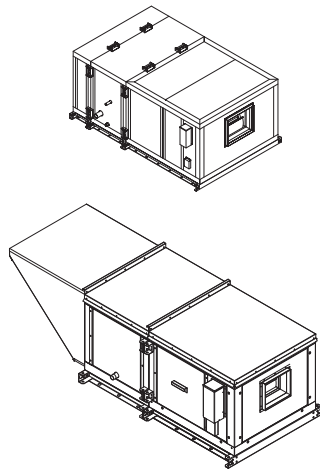
6. Headers are made from type L, seamless copper tubing with brazed copper end discs.
7. Coil casings are fabricated from 14 gauge galvanized sheet metal.
8. End plates are built with formed, collared tube holes to provide additional tube support. Coil over 60" finned tube length is provided with intermediate support channels across their width for additional rigidity.
9. Coils are tested at 450 PSIG under water for several minutes to ensure leak free unit.

**Refer to Free Standing Coil Price Sheet for price adder on optional fin materials, header modification and multiple circuits.
Consult factory for Copper fin and coil coating pricing.**

KAC, KAF, KAH AIR HANDLERS

NOMENCLATURE

K AC 128 F H - I T4 A - 0000



K = KeepRite

Unit Style

AF = Air Handler, Fan Head
 AH = Air Handler, Heating Coil Section
 AC = Air Handler, Cooling Coil Section

Model Number

1 = Number Of Fans
 28 = Coil Face Area (ft²)

Blower Type

F = Forward Curved (Standard)
 A = Airfoil

Unit Orientation

H = Horizontal
 V = Vertical

Manufacturing Options

Series / Generation
 A = First Generation

Unit Electrical Designation

S1 = 115/1/60
 S2 = 208/230/1/60
 T3 = 208-230/3/60
 T4 = 460/3/60
 T5 = 575/3/60

Enclosure Type

I = Indoor (Standard)
 H = Outdoor

web: www.k-rp.com/ka
email: ahu@k-rp.com
call: 1-844-893-3222 x527

BASIC UNIT

Basic unit consists of a blower section with forward curved fan(s), extended nylon lubrication lines, adjustable motor mount, V belt drive, heavy duty G90 galvanized sheet metal cabinet with removable access panels.

KAF horizontal model consists of fan section only

KAH model is fan section and heating coil sections arranged for horizontal air intake and horizontal air flow.

KAC horizontal is made up of fan section and cooling coil section. Unit is insulated with 2" thick mineral wool insulation and double wall panels. Units are arranged for horizontal air intake and horizontal air flow. Cooling coil section utilizes a stainless steel drain pan.

KAC vertical is similar to KAC horizontal model except that unit is arranged for horizontal air intake and vertical air flow.

OPTIONAL FEATURES

Fan & Htg. Coil Section Insulation: 2" thick mineral wool insulation, with double wall panels.

Fan Head Drain Pan: Installations with high humidity may require a Fan Head Drain Pan

Auxiliary Coil Section: Un-insulated heating coil section accepts coils to maximum 8 row depth.

Auxiliary Coil Section – Insulated: 2" thick mineral wool insulation, with double wall panels.

Heating/Cooling Coil Section: Maximum 10 rows of coil depth may be accommodated in the insulated coil section provided with drain pan and male pipe thread drain fitting located on same end of unit as coil connections.

Flat Filter Section: Filter access doors on both sides of unit.

Angular Filter Section (Models 114 to 182): Filter access doors on both sides of unit.

Combination Angle Filter Section and Mixing Box: Standard equipment consists of filter and mixing box with two sets of dampers. Damper blades are parallel type with no sealing along edges. The mixing box is furnished with damper shaft extensions on both ends for automatic control installed by others. National Refrigeration and Air Conditioning Canada Corp. does not furnish damper motors or controls.

Filter/mixing box, supplied less dampers, has openings for fresh air and return air.

Internal Face and Bypass Section Internal face and by-pass sections may be used in conjunction with small face area coils only. Both internal and external face and by-pass sections are supplied with opposed blade, non-sealed dampers. Three inch shaft extensions are supplied at each end of the by-pass sections. Shaft extensions are 1/2" in diameter. Controls and damper motors are to be supplied and installed by others.

KAC, KAF, KAH AIR HANDLERS

OPTIONAL FEATURES (cont`d)

Internal Bypass Section Internal bypass sections may be used in conjunction with small face area coils only. Opposed blade, non-sealed dampers are provided in bypass section only. Three inch shaft extensions are supplied at each end of the bypass section. Shaft extensions are 1/2" diameter. Controls and damper motor are to be supplied and installed by others.

External Face and Bypass Section (Models 114 to 182): External face and by-pass sections on units 137 and 182 are available with by-pass duct at top of unit only. Motor and by-pass duct cannot be located on the same panel. Access section supplied between coil section and fan section to allow for bypass.

Mixing Box and Dampers: Similar to combination angular filter section/mixing box with 2" thick mineral wool insulation - but less filter racks.

Access Section (Models 114 to 182): Access section is similar to angular filter section without the filter rack. Standard access sections 20" deep, other sizes are available in 5" increments 15" – 50".

Fresh Air Intake Hood: Available for outdoor units only with either mesh screening or provisions for aluminium filters

Painted Finish: Consult factory for availability and pricing. Exterior metal surface is cleaned, primed and finished in one coat of air dry enamel. Supply paint chip sample to ensure correct paint application.

OTHER OPTIONS ARE AVAILABLE AT YOUR REQUEST. CONSULT FACTORY FOR PRICING.

MODEL 103

PRODUCT NUMBER	ITEM	LIST PRICE \$
KAF103FH-I	Fan section only - Forward Curved Fan - Horizontal - Indoor Unit - No Insulation	5768
KAF103FH-H	Fan section only - Forward Curved Fan - Horizontal - Outdoor Unit - No Insulation	6633
KAH103FH-I	Fan section & Htg coil sect. - Forward Curved Fan - Horizontal - Indoor Unit - No Insulation	6847
KAH103FH-H	Fan section & Htg coil sect. - Forward Curved Fan - Horizontal - Outdoor Unit - With Insulation	7712
KAH-103FV-I	Fan section & Heating coil sect. - Forward Curved Fan - Vertical - Indoor Unit - No Insulation (less drain pan)	6847
KAC103FH-I	Fan section & Htg/Clg coil sect. - Forward Curved Fan - Horizontal - Indoor Unit - With Insulation	8584
KAC103FH-H	Fan section & Htg/Clg coil sect. - Forward Curved Fan - Horizontal - Outdoor Unit - With Insulation	9450
KAC103FV-I	Fan section & Htg/Clg coil sect. - Forward Curved Fan - Vertical - Indoor Unit - With Insulation	9657
OPTIONS AND ACCESSORIES	Fan section insulation (KAF & KAH only)	659
	Fan Head Drain Pan - Aluminium	618
	Htg. coil section insulation (KAH only)	163
	Aux. Htg. coil sect. - Indoor - No Insulation (8 row max.- Horizontal only)	1306
	Aux. Htg. coil sect. - Indoor - With Insulation (8 row max.- Horizontal only)	1862
	Aux. Htg. coil sect. - Outdoor - With Insulation (8 row max.- Horizontal only)	2482
	Htg/Clg coil section -Horizontal - With Insulation - Indoor	2823
	Htg/Clg coil section -Horizontal - With Insulation - Outdoor	5365
	'Bolt On' Flat Filter Section - No Insulation - 2" filters	Filter Qty & Size: 2 - 16x20x2 841
	Flat Filter Section: Indoor - No Insulation - 2" filters	Filter Qty & Size: 2 - 16x20x2 1892
	Flat Filter Section: Indoor - With Insulation - 2" filters	Filter Qty & Size: 2 - 16x20x2 1973
	Flat Filter Section: Indoor - With Insulation - 4" filters	Filter Qty & Size: 2 - 16x20x4 1973
	Flat Filter Section: Outdoor - With Insulation - 2" filters	Filter Qty & Size: 2 - 16x20x2 3594
	Flat Filter Section: Outdoor - With Insulation - 4" filters	Filter Qty & Size: 2 - 16x20x4 3594
	Comb. Angle Filter Sect. with 2 dampers: Indoor - With Insulation - Filter Qty & Size: 2 - 16x25x2	3338
	Mixing box and 2 dampers: Indoor - With Insulation	2889
	Mixing box less dampers: Indoor - With Insulation	2551
	Access sect. (20") - Indoor - With Insulation	1973
	Access sect. (20") - Outdoor - With Insulation	3594
	Fresh Air Intake Hood - Outdoor - Mesh Screen	2415
	Fresh Air Intake Hood - Outdoor - Aluminum Mesh Filter - Filter Qty & Size: 4 - 16x20x2	1525
	Internal Isolators	1287

Notes:

- Filters not included in price of any filter section or intake hood, see page 22 for filter prices
- Access section: other sizes available in 5" increments 15-50", consult factory for price

KAC, KAF, KAH AIR HANDLERS

MODEL 104

PRODUCT NUMBER	ITEM	LIST PRICE \$
KAF104FH-I	Fan section only - Forward Curved Fan - Horizontal - Indoor Unit - No Insulation	6287
KAF104FH-H	Fan section only - Forward Curved Fan - Horizontal - Outdoor Unit - No Insulation	7230
KAH104FH-I	Fan section & Htg coil sect. - Forward Curved Fan - Horizontal - Indoor Unit - No Insulation	7546
KAH104FH-H	Fan section & Htg coil sect. - Forward Curved Fan - Horizontal - Outdoor Unit - With Insulation	8489
KAH-104FV-I	Fan section & Heating coil sect. - Forward Curved Fan - Vertical - Indoor Unit - No Insulation (less drain pan)	7546
KAC104FH-I	Fan section & Htg/Clg coil sect. - Forward Curved Fan - Horizontal - Indoor Unit - With Insulation	9100
KAC104FH-H	Fan section & Htg/Clg coil sect. - Forward Curved Fan - Horizontal - Outdoor Unit - With Insulation	10043
KAC104FV-I	Fan section & Htg/Clg coil sect. - Forward Curved Fan - Vertical - Indoor Unit - With Insulation	10281
OPTIONS AND ACCESSORIES	Fan section insulation (KAF & KAH only)	715
	Fan Head Drain Pan - Aluminium	695
	Htg. coil section insulation (KAH only)	218
	Aux. Htg. coil sect. - Indoor - No Insulation (8 row max.- Horizontal only)	1407
	Aux. Htg. coil sect. - Indoor - With Insulation (8 row max.- Horizontal only)	2006
	Aux. Htg. coil sect. - Outdoor - With Insulation (8 row max.- Horizontal only)	2674
	Htg/Clg coil section -Horizontal - With Insulation - Indoor	3109
	Htg/Clg coil section -Horizontal - With Insulation - Outdoor	5907
	'Bolt On' Flat Filter Section - No Insulation - 2" filters Filter Qty & Size: 2 - 16x20x2	942
	Flat Filter Section: Indoor - No Insulation - 2" filters Filter Qty & Size: 2 - 20x20x2	2119
	Flat Filter Section: Indoor - With Insulation - 2" filters Filter Qty & Size: 2 - 20x20x2	2228
	Flat Filter Section: Indoor - With Insulation - 4" filters Filter Qty & Size: 2 - 20x20x4	2228
	Flat Filter Section: Outdoor - With Insulation - 2" filters Filter Qty & Size: 2 - 20x20x2	4026
	Flat Filter Section: Outdoor - With Insulation - 4" filters Filter Qty & Size: 2 - 20x20x4	4026
	Comb. Angle Filter Sect. with 2 dampers: Indoor - With Insulation - Filter Qty & Size: 4 - 16x20x2	4249
	Mixing box and 2 dampers: Indoor - With Insulation	3802
	Mixing box less dampers: Indoor - With Insulation	3202
	Access sect. (20") - Indoor - With Insulation	2228
	Access sect. (20") - Outdoor - With Insulation	4026
	Fresh Air Intake Hood - Outdoor - Aluminum Mesh Filter - Filter Qty & Size: 2 - 20x20x2 & 2 - 20x25x2	1577
Internal Isolators	1287	

MODEL 106

PRODUCT NUMBER	ITEM	LIST PRICE \$
KAF106FH-I	Fan section only - Forward Curved Fan - Horizontal - Indoor Unit - No Insulation	9069
KAF106FH-H	Fan section only - Forward Curved Fan - Horizontal - Outdoor Unit - No Insulation	10429
KAH106FH-I	Fan section & Htg coil sect. - Forward Curved Fan - Horizontal - Indoor Unit - No Insulation	11201
KAH106FH-H	Fan section & Htg coil sect. - Forward Curved Fan - Horizontal - Outdoor Unit - With Insulation	12562
KAH-106FV-I	Fan section & Heating coil sect. - Forward Curved Fan - Vertical - Indoor Unit - No Insulation (less drain pan)	11201
KAC106FH-I	Fan section & Htg/Clg coil sect. - Forward Curved Fan - Horizontal - Indoor Unit - With Insulation	13392
KAC106FH-H	Fan section & Htg/Clg coil sect. - Forward Curved Fan - Horizontal - Outdoor Unit - With Insulation	14752
KAC106FV-I	Fan section & Htg/Clg coil sect. - Forward Curved Fan - Vertical - Indoor Unit - With Insulation	14883
OPTIONS AND ACCESSORIES	Fan section insulation (KAF & KAH only)	814
	Fan Head Drain Pan - Aluminium	782
	Htg. coil section insulation (KAH only)	278
	Aux. Htg. coil sect. - Indoor - No Insulation (8 row max.- Horizontal only)	1521
	Aux. Htg. coil sect. - Indoor - With Insulation (8 row max.- Horizontal only)	2167
	Aux. Htg. coil sect. - Outdoor - With Insulation (8 row max.- Horizontal only)	2889
	Htg/Clg coil section -Horizontal - With Insulation - Indoor	3923
	Htg/Clg coil section -Horizontal - With Insulation - Outdoor	7455
	'Bolt On' Flat Filter Section - No Insulation - 2" filters Filter Qty & Size: 3 - 16x25x2	1220
	Flat Filter Section: Indoor - No Insulation - 2" filters Filter Qty & Size: 3 - 16x25x2	2745
	Flat Filter Section: Indoor - With Insulation - 2" filters Filter Qty & Size: 3 - 16x25x2	2884
	Flat Filter Section: Indoor - With Insulation - 4" filters Filter Qty & Size: 3 - 16x25x4	2884
	Flat Filter Section: Outdoor - With Insulation - 2" filters Filter Qty & Size: 3 - 16x25x2	5215
	Flat Filter Section: Outdoor - With Insulation - 4" filters Filter Qty & Size: 3 - 16x25x4	5215
	Comb. Angle Filter Sect. with 2 dampers: Indoor - With Insulation - Filter Qty & Size: 6 - 16x20x2	4797
	Mixing box and 2 dampers: Indoor - With Insulation	4158
	Mixing box less dampers: Indoor - With Insulation	3497
	Access sect. (20") - Indoor - With Insulation	2884
	Access sect. (20") - Outdoor - With Insulation	5215
	Fresh Air Intake Hood - Outdoor - Aluminum Mesh Filter - Filter Qty & Size: 6 - 16x25x2	1735
Internal Isolators	1287	

Notes:

- Filters not included in price of any filter section or intake hood, see page 22 for filter prices
- Access section: other sizes available in 5" increments 15-50", consult factory for price

KAC, KAF, KAH AIR HANDLERS

MODEL 108

PRODUCT NUMBER	ITEM	LIST PRICE \$
KAF108FH-I	Fan section only - Forward Curved Fan - Horizontal - Indoor Unit - No Insulation	9821
KAF108FH-H	Fan section only - Forward Curved Fan - Horizontal - Outdoor Unit - No Insulation	11294
KAH108FH-I	Fan section & Htg coil sect. - Forward Curved Fan - Horizontal - Indoor Unit - No Insulation	12127
KAH108FH-H	Fan section & Htg coil sect. - Forward Curved Fan - Horizontal - Outdoor Unit - With Insulation	13600
KAH-108FV-I	Fan section & Heating coil sect. - Forward Curved Fan - Vertical - Indoor Unit - No Insulation (less drain pan)	12127
KAC108FH-I	Fan section & Htg/Clg coil sect. - Forward Curved Fan - Horizontal - Indoor Unit - With Insulation	13392
KAC108FH-H	Fan section & Htg/Clg coil sect. - Forward Curved Fan - Horizontal - Outdoor Unit - With Insulation	14865
KAC108FV-I	Fan section & Htg/Clg coil sect. - Forward Curved Fan - Vertical - Indoor Unit - With Insulation	14927
OPTIONS AND ACCESSORIES	Fan section insulation (KAF & KAH only)	944
	Fan Head Drain Pan - Aluminium	816
	Htg. coil section insulation (KAH only)	383
	Aux. Htg. coil sect. - Indoor - No Insulation (8 row max.- Horizontal only)	1764
	Aux. Htg. coil sect. - Indoor - With Insulation (8 row max.- Horizontal only)	2514
	Aux. Htg. coil sect. - Outdoor - With Insulation (8 row max.- Horizontal only)	3351
	Htg/Clg coil section -Horizontal - With Insulation - Indoor	4039
	Htg/Clg coil section -Horizontal - With Insulation - Outdoor	7675
	'Bolt On' Flat Filter Section - No Insulation - 2" filters Filter Qty & Size: 2 - 16x20x2, 2 - 16x25x2	1304
	Flat Filter Section: Indoor - No Insulation - 2" filters Filter Qty & Size: 2 - 16x20x2, 2 - 16x25x2	2935
	Flat Filter Section: Indoor - With Insulation - 2" filters Filter Qty & Size: 2 - 16x20x2, 2 - 16x25x2	3126
	Flat Filter Section: Indoor - With Insulation - 4" filters Filter Qty & Size: 2 - 16x20x4, 2 - 16x25x4	3126
	Flat Filter Section: Outdoor - With Insulation - 2" filters Filter Qty & Size: 2 - 16x20x2, 2 - 16x25x2	5576
	Flat Filter Section: Outdoor - With Insulation - 4" filters Filter Qty & Size: 2 - 16x20x4, 2 - 16x25x4	5576
	Comb. Angle Filter Sect. with 2 dampers: Indoor - With Insulation - Filter Qty & Size: 6 - 16x25x2	5417
	Mixing box and 2 dampers: Indoor - With Insulation	4583
	Mixing box less dampers: Indoor - With Insulation	4183
	Access sect. (20") - Indoor - With Insulation	3126
	Access sect. (20") - Outdoor - With Insulation	5576
	Fresh Air Intake Hood - Outdoor - Aluminum Mesh Filter - Filter Qty & Size: 6 - 16x25x2	1840
Internal Isolators	1287	

MODEL 111

PRODUCT NUMBER	ITEM	LIST PRICE \$
KAF111FH-I	Fan section only - Forward Curved Fan - Horizontal - Indoor Unit - No Insulation	12258
KAF111FH-H	Fan section only - Forward Curved Fan - Horizontal - Outdoor Unit - No Insulation	14097
KAH111FH-I	Fan section & Htg coil sect. - Forward Curved Fan - Horizontal - Indoor Unit - No Insulation	14455
KAH111FH-H	Fan section & Htg coil sect. - Forward Curved Fan - Horizontal - Outdoor Unit - With Insulation	16294
KAH-111FV-I	Fan section & Heating coil sect. - Forward Curved Fan - Vertical - Indoor Unit - No Insulation (less drain pan)	14455
KAC111FH-I	Fan section & Htg/Clg coil sect. - Forward Curved Fan - Horizontal - Indoor Unit - With Insulation	16116
KAC111FH-H	Fan section & Htg/Clg coil sect. - Forward Curved Fan - Horizontal - Outdoor Unit - With Insulation	17955
KAC111FV-I	Fan section & Htg/Clg coil sect. - Forward Curved Fan - Vertical - Indoor Unit - With Insulation	17801
OPTIONS AND ACCESSORIES	Fan section insulation (KAF & KAH only)	1119
	Fan Head Drain Pan - Aluminium	816
	Htg. coil section insulation (KAH only)	482
	Aux. Htg. coil sect. - Indoor - No Insulation (8 row max.- Horizontal only)	2024
	Aux. Htg. coil sect. - Indoor - With Insulation (8 row max.- Horizontal only)	2883
	Aux. Htg. coil sect. - Outdoor - With Insulation (8 row max.- Horizontal only)	3845
	Htg/Clg coil section -Horizontal - With Insulation - Indoor	4434
	Htg/Clg coil section -Horizontal - With Insulation - Outdoor	8425
	'Bolt On' Flat Filter Section - No Insulation - 2" filters Filter Qty & Size: 6 - 16x20x2	1607
	Flat Filter Section: Indoor - No Insulation - 2" filters Filter Qty & Size: 6 - 16x20x2	3616
	Flat Filter Section: Indoor - With Insulation - 2" filters Filter Qty & Size: 6 - 16x20x2	3857
	Flat Filter Section: Indoor - With Insulation - 4" filters Filter Qty & Size: 6 - 16x20x4	3857
	Flat Filter Section: Outdoor - With Insulation - 2" filters Filter Qty & Size: 6 - 16x20x2	6871
	Flat Filter Section: Outdoor - With Insulation - 4" filters Filter Qty & Size: 6 - 16x20x4	6871
	Comb. Angle Filter Sect. with 2 dampers: Indoor - With Insulation - Filter Qty & Size: 6 - 20x25x2	6571
	Mixing box and 2 dampers: Indoor - With Insulation	5588
	Mixing box less dampers: Indoor - With Insulation	5086
	Access sect. (20") - Indoor - With Insulation	3857
	Access sect. (20") - Outdoor - With Insulation	6871
	Fresh Air Intake Hood - Outdoor - Aluminum Mesh Filter - Filter Qty & Size: 8 - 16x25x2	3049
Internal Isolators	2368	

Notes:

- Filters not included in price of any filter section or intake hood, see page 22 for filter prices
- Access section: other sizes available in 5" increments 15-50", consult factory for price

KAC, KAF, KAH AIR HANDLERS

MODEL 114

PRODUCT NUMBER	ITEM	LIST PRICE \$
KAF114FH-I	Fan section only - Forward Curved Fan - Horizontal - Indoor Unit - No Insulation	15288
KAF114FH-H	Fan section only - Forward Curved Fan - Horizontal - Outdoor Unit - No Insulation	17581
KAH114FH-I	Fan section & Htg coil sect. - Forward Curved Fan - Horizontal - Indoor Unit - No Insulation	17556
KAH114FH-H	Fan section & Htg coil sect. - Forward Curved Fan - Horizontal - Outdoor Unit - With Insulation	19849
KAH-114FV-I	Fan section & Heating coil sect. - Forward Curved Fan - Vertical - Indoor Unit - No Insulation (less drain pan)	17556
KAC114FH-I	Fan section & Htg/Clg coil sect. - Forward Curved Fan - Horizontal - Indoor Unit - With Insulation	19058
KAC114FH-H	Fan section & Htg/Clg coil sect. - Forward Curved Fan - Horizontal - Outdoor Unit - With Insulation	21352
KAC114FV-I	Fan section & Htg/Clg coil sect. - Forward Curved Fan - Vertical - Indoor Unit - With Insulation	20764
OPTIONS AND ACCESSORIES	Fan section insulation (KAF & KAH only)	1245
	Fan Head Drain Pan - Aluminium	884
	Htg. coil section insulation (KAH only)	482
	Aux. Htg. coil sect. - Indoor - No Insulation (8 row max.- Horizontal only)	2347
	Aux. Htg. coil sect. - Indoor - With Insulation (8 row max.- Horizontal only)	3344
	Aux. Htg. coil sect. - Outdoor - With Insulation (8 row max.- Horizontal only)	4459
	Htg/Clg coil section -Horizontal - With Insulation - Indoor	4490
	Htg/Clg coil section -Horizontal - With Insulation - Outdoor	8530
	'Bolt On' Flat Filter Section - No Insulation - 2" filters Filter Qty & Size: 6 - 16x25x2	1958
	Flat Filter Section: Indoor - No Insulation - 2" filters Filter Qty & Size: 6 - 16x25x2	4405
	Flat Filter Section: Indoor - With Insulation - 2" filters Filter Qty & Size: 6 - 16x25x2	4646
	Flat Filter Section: Indoor - With Insulation - 4" filters Filter Qty & Size: 6 - 16x25x4	4646
	Flat Filter Section: Outdoor - With Insulation - 2" filters Filter Qty & Size: 6 - 16x25x2	8369
	Flat Filter Section: Outdoor - With Insulation - 4" filters Filter Qty & Size: 6 - 16x25x4	8369
	Angle Filter Section: No Insulation - Indoor - 2" filters Filter Qty & Size: 2 - 16x25x2, 6 - 20x25x2	3843
	Angle Filter Section: With Insulation - Indoor - 2" filters Filter Qty & Size: 2 - 16x25x2, 6 - 20x25x2	4325
	Angle Filter Section: With Insulation - Outdoor - 2" filters Filter Qty & Size: 2 - 16x25x2, 6 - 20x25x2	7302
	Comb. Angle Filter Sect. with 2 dampers: Indoor - With Insulation - Filter Qty & Size: 2 - 16x25x2, 6 - 20x25x2	6837
	Internal face/bypass section: Indoor - With Insulation	4985
	Internal face/bypass section: Outdoor - With Insulation	9471
	Internal bypass section (less face dampers): Indoor - With Insulation	2492
	Internal bypass section (less face dampers): Outdoor - With Insulation	4735
	External face/bypass section: Indoor - With Insulation (top bypass only)	7078
	External face/bypass section: Outdoor - With Insulation (top bypass only)	13448
	Mixing box and 2 dampers: Indoor - With Insulation	5992
	Mixing box less dampers: Indoor - With Insulation	5273
	Access sect. (20") - Indoor - With Insulation	4646
	Access sect. (20") - Outdoor - With Insulation	8369
	Fresh Air Intake Hood - Outdoor - Aluminum Mesh Filter - Filter Qty & Size: 8 - 20x25x2	3155
	Internal Isolators	2368

Notes:

- Filters not included in price of any filter section or intake hood, see page 22 for filter prices
- Access section: other sizes available in 5" increments 15-50", consult factory for price

KAC, KAF, KAH AIR HANDLERS

MODEL 117

PRODUCT NUMBER	ITEM	LIST PRICE \$
KAF117FH-I	Fan section only - Forward Curved Fan - Horizontal - Indoor Unit - No Insulation	16911
KAF117FH-H	Fan section only - Forward Curved Fan - Horizontal - Outdoor Unit - No Insulation	19448
KAH117FH-I	Fan section & Htg coil sect. - Forward Curved Fan - Horizontal - Indoor Unit - No Insulation	19396
KAH117FH-H	Fan section & Htg coil sect. - Forward Curved Fan - Horizontal - Outdoor Unit - With Insulation	21933
KAH-117FV-I	Fan section & Heating coil sect. - Forward Curved Fan - Vertical - Indoor Unit - No Insulation (less drain pan)	19396
KAC117FH-I	Fan section & Htg/Clg coil sect. - Forward Curved Fan - Horizontal - Indoor Unit - With Insulation	21032
KAC117FH-H	Fan section & Htg/Clg coil sect. - Forward Curved Fan - Horizontal - Outdoor Unit - With Insulation	23569
KAC117FV-I	Fan section & Htg/Clg coil sect. - Forward Curved Fan - Vertical - Indoor Unit - With Insulation	22906
OPTIONS AND ACCESSORIES	Fan section insulation (KAF & KAH only)	2660
	Fan Head Drain Pan - Aluminium	996
	Htg. coil section insulation (KAH only)	596
	Aux. Htg. coil sect. - Indoor - No Insulation (8 row max.- Horizontal only)	2660
	Aux. Htg. coil sect. - Indoor - With Insulation (8 row max.- Horizontal only)	3791
	Aux. Htg. coil sect. - Outdoor - With Insulation (8 row max.- Horizontal only)	5054
	Htg/Clg coil section -Horizontal - With Insulation - Indoor	4930
	Htg/Clg coil section -Horizontal - With Insulation - Outdoor	9368
	'Bolt On' Flat Filter Section - No Insulation - 2" filters Filter Qty & Size: 4 - 16x20x2, 4 - 16x25x2	2061
	Flat Filter Section: Indoor - No Insulation - 2" filters Filter Qty & Size: 4 - 16x20x2, 4 - 16x25x2	4636
	Flat Filter Section: Indoor - With Insulation - 2" filters Filter Qty & Size: 4 - 16x20x2, 4 - 16x25x2	4934
	Flat Filter Section: Indoor - With Insulation - 4" filters Filter Qty & Size: 4 - 16x20x4, 4 - 16x25x4	4934
	Flat Filter Section: Outdoor - With Insulation - 2" filters Filter Qty & Size: 4 - 16x20x2, 4 - 16x25x2	8809
	Flat Filter Section: Outdoor - With Insulation - 4" filters Filter Qty & Size: 4 - 16x20x4, 4 - 16x25x4	8809
	Angle Filter Section: No Insulation - Indoor - 2" filters Filter Qty & Size: 8 - 20x25x2	4249
	Angle Filter Section: With Insulation - Indoor - 2" filters Filter Qty & Size: 8 - 20x25x2	4844
	Angle Filter Section: With Insulation - Outdoor - 2" filters Filter Qty & Size: 8 - 20x25x2	8073
	Comb. Angle Filter Sect. with 2 dampers: Indoor - With Insulation - Filter Qty & Size: 8 - 20x25x2	7832
	Internal face/bypass section: Indoor - With Insulation	6116
	Internal face/bypass section: Outdoor - With Insulation	11620
	Internal bypass section (less face dampers): Indoor - With Insulation	3058
	Internal bypass section (less face dampers): Outdoor - With Insulation	5810
	External face/bypass section: Indoor - With Insulation (top bypass only)	7191
	External face/bypass section: Outdoor - With Insulation (top bypass only)	13664
	Mixing box and 2 dampers: Indoor - With Insulation	6571
	Mixing box less dampers: Indoor - With Insulation	6083
	Access sect. (20") - Indoor - With Insulation	4934
	Access sect. (20") - Outdoor - With Insulation	8809
	Fresh Air Intake Hood - Outdoor - Aluminum Mesh Filter - Filter Qty & Size: 4 - 20x25x2 & 4 - 25x25x2	3470
	Internal Isolators	2368

Notes:

- Filters not included in price of any filter section or intake hood, see page 22 for filter prices
- Access section: other sizes available in 5" increments 15-50", consult factory for price

KAC, KAF, KAH AIR HANDLERS

MODEL 122

PRODUCT NUMBER	ITEM	LIST PRICE \$
KAF122FH-I	Fan section only - Forward Curved Fan - Horizontal - Indoor Unit - No Insulation	20837
KAF122FH-H	Fan section only - Forward Curved Fan - Horizontal - Outdoor Unit - No Insulation	23962
KAH122FH-I	Fan section & Htg coil sect. - Forward Curved Fan - Horizontal - Indoor Unit - No Insulation	23703
KAH122FH-H	Fan section & Htg coil sect. - Forward Curved Fan - Horizontal - Outdoor Unit - With Insulation	26828
KAH-122FV-I	Fan section & Heating coil sect. - Forward Curved Fan - Vertical - Indoor Unit - No Insulation (less drain pan)	23703
KAC122FH-I	Fan section & Htg/Clg coil sect. - Forward Curved Fan - Horizontal - Indoor Unit - With Insulation	25436
KAC122FH-H	Fan section & Htg/Clg coil sect. - Forward Curved Fan - Horizontal - Outdoor Unit - With Insulation	28561
KAC122FV-I	Fan section & Htg/Clg coil sect. - Forward Curved Fan - Vertical - Indoor Unit - With Insulation	28603
OPTIONS AND ACCESSORIES	Fan section insulation (KAF & KAH only)	1958
	Fan Head Drain Pan - Aluminium	1076
	Htg. coil section insulation (KAH only)	762
	Aux. Htg. coil sect. - Indoor - No Insulation (8 row max.- Horizontal only)	3035
	Aux. Htg. coil sect. - Indoor - With Insulation (8 row max.- Horizontal only)	4325
	Aux. Htg. coil sect. - Outdoor - With Insulation (8 row max.- Horizontal only)	5767
	Htg/Clg coil section -Horizontal - With Insulation - Indoor	5556
	Htg/Clg coil section -Horizontal - With Insulation - Outdoor	10556
	'Bolt On' Flat Filter Section - No Insulation - 2" filters Filter Qty & Size: 12 - 16x20x2	2586
	Flat Filter Section: Indoor - No Insulation - 2" filters Filter Qty & Size: 12 - 16x20x2	5819
	Flat Filter Section: Indoor - With Insulation - 2" filters Filter Qty & Size: 12 - 16x20x2	6200
	Flat Filter Section: Indoor - With Insulation - 4" filters Filter Qty & Size: 12 - 16x20x4	6200
	Flat Filter Section: Outdoor - With Insulation - 2" filters Filter Qty & Size: 12 - 16x20x2	11055
	Flat Filter Section: Outdoor - With Insulation - 4" filters Filter Qty & Size: 12 - 16x20x4	11055
	Angle Filter Section: No Insulation - Indoor - 2" filters Filter Qty & Size: 16 - 16x25x2	4877
	Angle Filter Section: With Insulation - Indoor - 2" filters Filter Qty & Size: 16 - 16x25x2	5640
	Angle Filter Section: With Insulation - Outdoor - 2" filters Filter Qty & Size: 16 - 16x25x2	9267
	Comb. Angle Filter Sect. with 2 dampers: Indoor - With Insulation - Filter Qty & Size: 16 - 16x25x2	8753
	Internal face/bypass section: Indoor - With Insulation	6544
	Internal face/bypass section: Outdoor - With Insulation	12434
	Internal bypass section (less face dampers): Indoor - With Insulation	3272
	Internal bypass section (less face dampers): Outdoor - With Insulation	6217
	External face/bypass section: Indoor - With Insulation (top bypass only)	9108
	External face/bypass section: Outdoor - With Insulation (top bypass only)	17305
	Mixing box and 2 dampers: Indoor - With Insulation	7841
	Mixing box less dampers: Indoor - With Insulation	7189
	Access sect. (20") - Indoor - With Insulation	6200
	Access sect. (20") - Outdoor - With Insulation	11055
	Fresh Air Intake Hood - Outdoor - Aluminum Mesh Filter - Filter Qty & Size: 8 - 25x25x2	3680
	Internal Isolators	2368

Notes:

- Filters not included in price of any filter section or intake hood, see page 22 for filter prices
- Access section: other sizes available in 5" increments 15-50", consult factory for price

KAC, KAF, KAH AIR HANDLERS

MODEL 128

PRODUCT NUMBER	ITEM	LIST PRICE \$
KAF128FH-I	Fan section only - Forward Curved Fan - Horizontal - Indoor Unit - No Insulation	28080
KAF128FH-H	Fan section only - Forward Curved Fan - Horizontal - Outdoor Unit - No Insulation	32292
KAH128FH-I	Fan section & Htg coil sect. - Forward Curved Fan - Horizontal - Indoor Unit - No Insulation	32001
KAH128FH-H	Fan section & Htg coil sect. - Forward Curved Fan - Horizontal - Outdoor Unit - With Insulation	36213
KAH-128FV-I	Fan section & Heating coil sect. - Forward Curved Fan - Vertical - Indoor Unit - No Insulation (less drain pan)	32001
KAC128FH-I	Fan section & Htg/Clg coil sect. - Forward Curved Fan - Horizontal - Indoor Unit - With Insulation	32885
KAC128FH-H	Fan section & Htg/Clg coil sect. - Forward Curved Fan - Horizontal - Outdoor Unit - With Insulation	37097
KAC128FV-I	Fan section & Htg/Clg coil sect. - Forward Curved Fan - Vertical - Indoor Unit - With Insulation	36390
OPTIONS AND ACCESSORIES	Fan section insulation (KAF & KAH only)	2285
	Fan Head Drain Pan - Aluminium	1271
	Htg. coil section insulation (KAH only)	890
	Aux. Htg. coil sect. - Indoor - No Insulation (8 row max.- Horizontal only)	4618
	Aux. Htg. coil sect. - Indoor - With Insulation (8 row max.- Horizontal only)	6580
	Aux. Htg. coil sect. - Outdoor - With Insulation (8 row max.- Horizontal only)	8774
	Htg/Clg coil section -Horizontal - With Insulation - Indoor	6149
	Htg/Clg coil section -Horizontal - With Insulation - Outdoor	11684
	'Bolt On' Flat Filter Section - No Insulation - 2" filters Filter Qty & Size: 12 - 20x20x2	3002
	Flat Filter Section: Indoor - No Insulation - 2" filters Filter Qty & Size: 12 - 20x20x2	6755
	Flat Filter Section: Indoor - With Insulation - 2" filters Filter Qty & Size: 12 - 20x20x2	7200
	Flat Filter Section: Indoor - With Insulation - 4" filters Filter Qty & Size: 12 - 20x20x4	7200
	Flat Filter Section: Outdoor - With Insulation - 2" filters Filter Qty & Size: 12 - 20x20x2	12835
	Flat Filter Section: Outdoor - With Insulation - 4" filters Filter Qty & Size: 12 - 20x20x4	12835
	Angle Filter Section: No Insulation - Indoor - 2" filters Filter Qty & Size: 12 - 20x25x2	5660
	Angle Filter Section: With Insulation - Indoor - 2" filters Filter Qty & Size: 12 - 20x25x2	6551
	Angle Filter Section: With Insulation - Outdoor - 2" filters Filter Qty & Size: 12 - 20x25x2	10755
	Comb. Angle Filter Sect. with 2 dampers: Indoor - With Insulation - Filter Qty & Size: 12 - 20x25x2	10997
	Internal face/bypass section: Indoor - With Insulation	7583
	Internal face/bypass section: Outdoor - With Insulation	14408
	Internal bypass section (less face dampers): Indoor - With Insulation	3791
	Internal bypass section (less face dampers): Outdoor - With Insulation	7204
	External face/bypass section: Indoor - With Insulation (top bypass only)	10561
	External face/bypass section: Outdoor - With Insulation (top bypass only)	20065
	Mixing box and 2 dampers: Indoor - With Insulation	9161
	Mixing box less dampers: Indoor - With Insulation	8611
	Access sect. (20") - Indoor - With Insulation	7200
	Access sect. (20") - Outdoor - With Insulation	12835
	Fresh Air Intake Hood - Outdoor - Aluminum Mesh Filter - Filter Qty & Size: 24 - 16x20x2	4942
	Internal Isolators	2368

Notes:

- Filters not included in price of any filter section or intake hood, see page 22 for filter prices
- Access section: other sizes available in 5" increments 15-50", consult factory for price

KAC, KAF, KAH AIR HANDLERS

MODEL 137

PRODUCT NUMBER	ITEM	LIST PRICE \$
KAF137FH-I	Fan section insulation (KAF & KAH only)	35337
KAF137FH-H	Htg. coil section insulation (KAH only)	40638
KAH137FH-I	Aux. Htg. coil sect. - Indoor - No Insulation (8 row max.- Horizontal only)	40268
KAH137FH-H	Aux. Htg. coil sect. - Indoor - With Insulation (8 row max.- Horizontal only)	45569
KAC137FH-I	Aux. Htg. coil sect. - Outdoor - With Insulation (8 row max.- Horizontal only)	45236
KAC137FH-H	Htg/Clg coil section -Horizontal - With Insulation - Indoor	50537
OPTIONS AND ACCESSORIES	Fan section insulation (KAF & KAH only)	3559
	Htg. coil section insulation (KAH only)	1179
	Aux. Htg. coil sect. - Indoor - No Insulation (8 row max.- Horizontal only)	6423
	Aux. Htg. coil sect. - Indoor - With Insulation (8 row max.- Horizontal only)	9153
	Aux. Htg. coil sect. - Outdoor - With Insulation (8 row max.- Horizontal only)	12203
	Htg/Clg coil section -Horizontal - With Insulation - Indoor	11216
	Htg/Clg coil section -Horizontal - With Insulation - Outdoor	21310
	'Bolt On' Flat Filter Section - No Insulation - 2" filters Filter Qty & Size: 2 - 16x20x2	3425
	Flat Filter Section: Indoor - No Insulation - 2" filters Filter Qty & Size: 12 - 20x25x2	7706
	Flat Filter Section: Indoor - With Insulation - 2" filters Filter Qty & Size: 12 - 20x25x2	8295
	Flat Filter Section: Indoor - With Insulation - 4" filters Filter Qty & Size: 12 - 20x25x4	8295
	Flat Filter Section: Outdoor - With Insulation - 2" filters Filter Qty & Size: 12 - 20x25x2	14641
	Flat Filter Section: Outdoor - With Insulation - 4" filters Filter Qty & Size: 12 - 20x25x4	14641
	Angle Filter Section: No Insulation - Indoor - 2" filters Filter Qty & Size: 16 - 20x25x2	6431
	Angle Filter Section: With Insulation - Indoor - 2" filters Filter Qty & Size: 16 - 20x25x2	7610
	Angle Filter Section: With Insulation - Outdoor - 2" filters Filter Qty & Size: 16 - 20x25x2	12219
	Comb. Angle Filter Sect. with 2 dampers: Indoor - With Insulation - Filter Qty & Size: 16 - 20x25x2	13802
	Internal face/bypass section: Indoor - With Insulation	10132
	Internal face/bypass section: Outdoor - With Insulation	19251
	Internal bypass section (less face dampers): Indoor - With Insulation	5066
	Internal bypass section (less face dampers): Outdoor - With Insulation	9625
	External face/bypass section: Indoor - With Insulation (top bypass only)	14041
	External face/bypass section: Outdoor - With Insulation (top bypass only)	26678
	Mixing box and 2 dampers: Indoor - With Insulation	12296
	Mixing box less dampers: Indoor - With Insulation	10833
	Access sect. (20") - Indoor - With Insulation	8295
	Access sect. (20") - Outdoor - With Insulation	14641
	Fresh Air Intake Hood - Outdoor - Aluminum Mesh Filter - Filter Qty & Size: 24 - 16x20x2	5521
	Internal Isolators	3307

Notes:

- Filters not included in price of any filter section or intake hood, see page 22 for filter prices
- Access section: other sizes available in 5" increments 15-50", consult factory for price

KAC, KAF, KAH AIR HANDLERS

MODEL 141

PRODUCT NUMBER	ITEM	LIST PRICE \$
KAF141FH-I	Fan section only - Forward Curved Fan - Horizontal - Indoor Unit - No Insulation	44983
KAF141FH-H	Fan section only - Forward Curved Fan - Horizontal - Outdoor Unit - No Insulation	51730
KAH141FH-I	Fan section & Htg coil sect. - Forward Curved Fan - Horizontal - Indoor Unit - No Insulation	51515
KAH141FH-H	Fan section & Htg coil sect. - Forward Curved Fan - Horizontal - Outdoor Unit - With Insulation	58262
KAC141FH-I	Fan section & Htg/Clg coil sect. - Forward Curved Fan - Horizontal - Indoor Unit - With Insulation	54126
KAC141FH-H	Fan section & Htg/Clg coil sect. - Forward Curved Fan - Horizontal - Outdoor Unit - With Insulation	60873
OPTIONS AND ACCESSORIES	Fan section insulation (KAF & KAH only)	3973
	Htg. coil section insulation (KAH only)	1477
	Aux. Htg. coil sect. - Indoor - No Insulation (8 row max.- Horizontal only)	7354
	Aux. Htg. coil sect. - Indoor - With Insulation (8 row max.- Horizontal only)	10480
	Aux. Htg. coil sect. - Outdoor - With Insulation (8 row max.- Horizontal only)	13973
	Htg/Clg coil section -Horizontal - With Insulation - Indoor	11078
	Htg/Clg coil section -Horizontal - With Insulation - Outdoor	21048
	'Bolt On' Flat Filter Section - No Insulation - 2" filters Filter Qty & Size: 18 - 20x20x2	4035
	Flat Filter Section: Indoor - No Insulation - 2" filters Filter Qty & Size: 18 - 20x20x2	9078
	Flat Filter Section: Indoor - With Insulation - 2" filters Filter Qty & Size: 18 - 20x20x2	9817
	Flat Filter Section: Indoor - With Insulation - 4" filters Filter Qty & Size: 18 - 20x20x4	9817
	Flat Filter Section: Outdoor - With Insulation - 2" filters Filter Qty & Size: 18 - 20x20x2	17248
	Flat Filter Section: Outdoor - With Insulation - 4" filters Filter Qty & Size: 18 - 20x20x4	17248
	Angle Filter Section: No Insulation - Indoor - 2" filters Filter Qty & Size: 24 - 20x20x2	7632
	Angle Filter Section: With Insulation - Indoor - 2" filters Filter Qty & Size: 24 - 20x20x2	9110
	Angle Filter Section: With Insulation - Outdoor - 2" filters Filter Qty & Size: 24 - 20x20x2	14502
	Comb. Angle Filter Sect. with 2 dampers: Indoor - With Insulation - Filter Qty & Size: 24 - 20x20x2	15044
	Internal face/bypass section: Indoor - With Insulation	11173
	Internal face/bypass section: Outdoor - With Insulation	21228
	Internal bypass section (less face dampers): Indoor - With Insulation	5586
	Internal bypass section (less face dampers): Outdoor - With Insulation	10614
	External face/bypass section: Indoor - With Insulation (top bypass only)	8073
	External face/bypass section: Outdoor - With Insulation (top bypass only)	15339
	Mixing box and 2 dampers: Indoor - With Insulation	13596
	Mixing box less dampers: Indoor - With Insulation	12013
	Access sect. (20") - Indoor - With Insulation	9817
	Access sect. (20") - Outdoor - With Insulation	17248
	Fresh Air Intake Hood - Outdoor - Aluminum Mesh Filter - Filter Qty & Size: 16 - 16x20x2 & 8 - 20x20x2	13263
	Internal Isolators	3307

Notes:

- Filters not included in price of any filter section or intake hood, see page 22 for filter prices
- Access section: other sizes available in 5" increments 15-50", consult factory for price

KAC, KAF, KAH AIR HANDLERS

MODEL 150

PRODUCT NUMBER	ITEM	LIST PRICE \$
KAF150FH-I	Fan section only - Forward Curved Fan - Horizontal - Indoor Unit - No Insulation	54369
KAF150FH-H	Fan section only - Forward Curved Fan - Horizontal - Outdoor Unit - No Insulation	62524
KAH150FH-I	Fan section & Htg coil sect. - Forward Curved Fan - Horizontal - Indoor Unit - No Insulation	61966
KAH150FH-H	Fan section & Htg coil sect. - Forward Curved Fan - Horizontal - Outdoor Unit - With Insulation	70121
KAC150FH-I	Fan section & Htg/Clg coil sect. - Forward Curved Fan - Horizontal - Indoor Unit - With Insulation	66866
KAC150FH-H	Fan section & Htg/Clg coil sect. - Forward Curved Fan - Horizontal - Outdoor Unit - With Insulation	75022
OPTIONS AND ACCESSORIES	Fan section insulation (KAF & KAH only)	4012
	Htg. coil section insulation (KAH only)	1776
	Aux. Htg. coil sect. - Indoor - No Insulation (8 row max.- Horizontal only)	8999
	Aux. Htg. coil sect. - Indoor - With Insulation (8 row max.- Horizontal only)	12823
	Aux. Htg. coil sect. - Outdoor - With Insulation (8 row max.- Horizontal only)	17097
	Htg/Clg coil section -Horizontal - With Insulation - Indoor	15061
	Htg/Clg coil section -Horizontal - With Insulation - Outdoor	28616
	'Bolt On' Flat Filter Section - No Insulation - 2" filters Filter Qty & Size: 12 - 20x25x2, 6 - 20x20x2	4521
	Flat Filter Section: Indoor - No Insulation - 2" filters Filter Qty & Size: 12 - 20x25x2, 6 - 20x20x2	10172
	Flat Filter Section: Indoor - With Insulation - 2" filters Filter Qty & Size: 12 - 20x25x2, 6 - 20x20x2	11060
	Flat Filter Section: Indoor - With Insulation - 4" filters Filter Qty & Size: 12 - 20x25x4, 6 - 20x20x4	11060
	Flat Filter Section: Outdoor - With Insulation - 2" filters Filter Qty & Size: 12 - 20x25x2, 6 - 20x20x2	19327
	Flat Filter Section: Outdoor - With Insulation - 4" filters Filter Qty & Size: 12 - 20x25x4, 6 - 20x20x4	19327
	Angle Filter Section: No Insulation - Indoor - 2" filters Filter Qty & Size: 24 - 20x25x2	8535
	Angle Filter Section: With Insulation - Indoor - 2" filters Filter Qty & Size: 24 - 20x25x2	10311
	Angle Filter Section: With Insulation - Outdoor - 2" filters Filter Qty & Size: 24 - 20x25x2	16216
	Comb. Angle Filter Sect. with 2 dampers: Indoor - With Insulation - Filter Qty & Size: 24 - 20x25x2	18061
	Internal face/bypass section: Indoor - With Insulation	12990
	Internal face/bypass section: Outdoor - With Insulation	24681
	Internal bypass section (less face dampers): Indoor - With Insulation	6495
	Internal bypass section (less face dampers): Outdoor - With Insulation	12340
	External face/bypass section: Indoor - With Insulation (top bypass only)	17884
	External face/bypass section: Outdoor - With Insulation (top bypass only)	33979
	Mixing box and 2 dampers: Indoor - With Insulation	16334
	Mixing box less dampers: Indoor - With Insulation	14418
	Access sect. (20") - Indoor - With Insulation	11060
	Access sect. (20") - Outdoor - With Insulation	19327
	Fresh Air Intake Hood - Outdoor - Aluminum Mesh Filter - Filter Qty & Size: 8 - 16x25x2 & 16 - 20x25x2	13263
	Internal Isolators	3307

Notes:

- Filters not included in price of any filter section or intake hood, see page 22 for filter prices
- Access section: other sizes available in 5" increments 15-50", consult factory for price

KAC, KAF, KAH AIR HANDLERS

MODEL 164

PRODUCT NUMBER	ITEM	LIST PRICE \$
KAF164FH-I	Fan section only - Forward Curved Fan - Horizontal - Indoor Unit - No Insulation	66495
KAF164FH-H	Fan section only - Forward Curved Fan - Horizontal - Outdoor Unit - No Insulation	76470
KAH164FH-I	Fan section & Htg coil sect. - Forward Curved Fan - Horizontal - Indoor Unit - No Insulation	74534
KAH164FH-H	Fan section & Htg coil sect. - Forward Curved Fan - Horizontal - Outdoor Unit - With Insulation	84508
KAC164FH-I	Fan section & Htg/Clg coil sect. - Forward Curved Fan - Horizontal - Indoor Unit - With Insulation	77777
KAC164FH-H	Fan section & Htg/Clg coil sect. - Forward Curved Fan - Horizontal - Outdoor Unit - With Insulation	87751
OPTIONS AND ACCESSORIES	Fan section insulation (KAF & KAH only)	4109
	Htg. coil section insulation (KAH only)	2322
	Aux. Htg. coil sect. - Indoor - No Insulation (8 row max.- Horizontal only)	10909
	Aux. Htg. coil sect. - Indoor - With Insulation (8 row max.- Horizontal only)	15545
	Aux. Htg. coil sect. - Outdoor - With Insulation (8 row max.- Horizontal only)	20727
	Htg/Clg coil section -Horizontal - With Insulation - Indoor	14474
	Htg/Clg coil section -Horizontal - With Insulation - Outdoor	27500
	'Bolt On' Flat Filter Section - No Insulation - 2" filters Filter Qty & Size: 6 - 20x25x2, 18 - 20x20x2	5170
	Flat Filter Section: Indoor - No Insulation - 2" filters Filter Qty & Size: 6 - 20x25x2, 18 - 20x20x2	11633
	Flat Filter Section: Indoor - With Insulation - 2" filters Filter Qty & Size: 6 - 20x25x2, 18 - 20x20x2	12794
	Flat Filter Section: Indoor - With Insulation - 4" filters Filter Qty & Size: 6 - 20x25x4, 18 - 20x20x4	12794
	Flat Filter Section: Outdoor - With Insulation - 2" filters Filter Qty & Size: 6 - 20x25x2, 18 - 20x20x2	22102
	Flat Filter Section: Outdoor - With Insulation - 4" filters Filter Qty & Size: 6 - 20x25x4, 18 - 20x20x4	22102
	Angle Filter Section: No Insulation - Indoor - 2" filters Filter Qty & Size: 30 - 20x25x2	9759
	Angle Filter Section: With Insulation - Indoor - 2" filters Filter Qty & Size: 30 - 20x25x2	12081
	Angle Filter Section: With Insulation - Outdoor - 2" filters Filter Qty & Size: 30 - 20x25x2	18542
	Comb. Angle Filter Sect. with 2 dampers: Indoor - With Insulation - Filter Qty & Size: 30 - 20x25x2	22452
	Internal face/bypass section: Indoor - With Insulation	15671
	Internal face/bypass section: Outdoor - With Insulation	29775
	Internal bypass section (less face dampers): Indoor - With Insulation	7835
	Internal bypass section (less face dampers): Outdoor - With Insulation	14887
	External face/bypass section: Indoor - With Insulation (top bypass only)	21496
	External face/bypass section: Outdoor - With Insulation (top bypass only)	40843
	Mixing box and 2 dampers: Indoor - With Insulation	20429
	Mixing box less dampers: Indoor - With Insulation	18038
	Access sect. (20") - Indoor - With Insulation	12794
	Access sect. (20") - Outdoor - With Insulation	22102
	Fresh Air Intake Hood - Outdoor - Aluminum Mesh Filter - Filter Qty & Size: 24 - 16x25x2 & 6 - 20x25x2 & 6 - 25x25x2	19209
	Internal Isolators	3307

Notes:

- Filters not included in price of any filter section or intake hood, see page 22 for filter prices
- Access section: other sizes available in 5" increments 15-50", consult factory for price

KAC, KAF, KAH AIR HANDLERS

MODEL 182

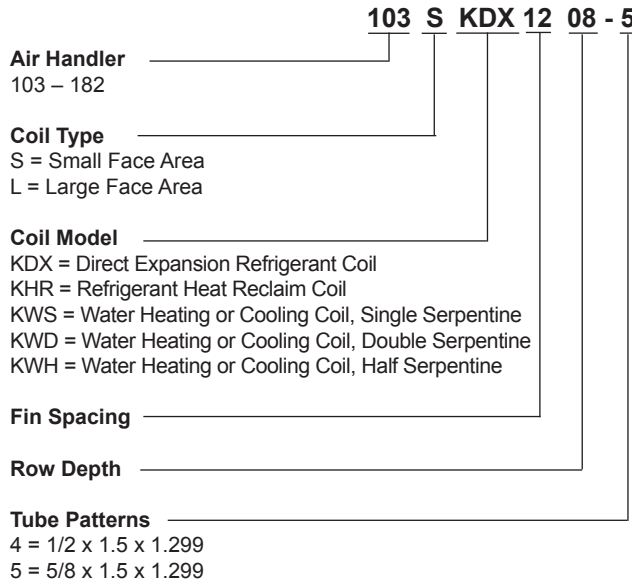
PRODUCT NUMBER	ITEM	LIST PRICE \$
KAF182FH-I	Fan section only - Forward Curved Fan - Horizontal - Indoor Unit - No Insulation	85197
KAF182FH-H	Fan section only - Forward Curved Fan - Horizontal - Outdoor Unit - No Insulation	97977
KAH182FH-I	Fan section & Htg coil sect. - Forward Curved Fan - Horizontal - Indoor Unit - No Insulation	95496
KAH182FH-H	Fan section & Htg coil sect. - Forward Curved Fan - Horizontal - Outdoor Unit - With Insulation	108276
KAC182FH-I	Fan section & Htg/Clg coil sect. - Forward Curved Fan - Horizontal - Indoor Unit - With Insulation	99652
KAC182FH-H	Fan section & Htg/Clg coil sect. - Forward Curved Fan - Horizontal - Outdoor Unit - With Insulation	112431
OPTIONS AND ACCESSORIES	Fan section insulation (KAF & KAH only)	5264
	Htg. coil section insulation (KAH only)	2975
	Aux. Htg. coil sect. - Indoor - No Insulation (8 row max.- Horizontal only)	13977
	Aux. Htg. coil sect. - Indoor - With Insulation (8 row max.- Horizontal only)	19917
	Aux. Htg. coil sect. - Outdoor - With Insulation (8 row max.- Horizontal only)	26556
	Htg/Clg coil section -Horizontal - With Insulation - Indoor	18544
	Htg/Clg coil section -Horizontal - With Insulation - Outdoor	35234
	Flat Filter Section: Indoor KAF ONLY - No Insulation - 2" filters Filter Qty & Size: 6 - 20x25x2, 18 - 20x20x2	5170
	Flat Filter Section: Indoor - No Insulation - 2" Filters Qty & Size: 6 - 20x25x2, 18 - 20x20x2, 6 - 16x20x2,2 - 16x25x2	11633
	Flat Filter Section: Indoor - With Insulation - 2" Filters Qty & Size: 6 - 20x25x2, 18 - 20x20x2, 6 - 16x20x2,2 - 16x25x2	13120
	Flat Filter Section: Indoor - With Insulation - 4" Filters Qty & Size: 6 - 20x25x4, 18 - 20x20x4, 6 - 16x20x4,2 - 16x25x4	13120
	Flat Filter Section: Outdoor - With Insulation - 2" Filters Qty & Size: 6 - 20x25x2, 18 - 20x20x2, 6 - 16x20x2,2 - 16x25x2	22102
	Flat Filter Section: Outdoor - With Insulation - 4" Filters Qty & Size: 6 - 20x25x4, 18 - 20x20x4, 6 - 16x20x4,2 - 16x25x4	22102
	Angle Filter Section: No Insulation - Indoor - 2" filters Filter Qty & Size: 8 - 20x20x2 & 32- 20x25x2	12504
	Angle Filter Section: With Insulation - Indoor - 2" filters Filter Qty & Size: 8 - 20x20x2 & 32- 20x25x2	15479
	Angle Filter Section: With Insulation - Outdoor - 2" filters Filter Qty & Size: 8 - 20x20x2 & 32- 20x25x2	23757
	Comb. Angle Filter Sect. with 2 dampers: Indoor - With Insulation - Filter Qty & Size: 8 - 20x20x2 & 32- 20x25x2	28767
	Internal face/bypass section: Indoor - With Insulation	20078
	Internal face/bypass section: Outdoor - With Insulation	38149
	Internal bypass section (less face dampers): Indoor - With Insulation	10039
	Internal bypass section (less face dampers): Outdoor - With Insulation	19074
	External face/bypass section: Indoor - With Insulation (top bypass only)	27542
	External face/bypass section: Outdoor - With Insulation (top bypass only)	52330
	Mixing box and 2 dampers: Indoor - With Insulation	26174
	Mixing box less dampers: Indoor - With Insulation	23112
	Access sect. (20") - Indoor - With Insulation	13120
	Access sect. (20") - Outdoor - With Insulation	22102
	Fresh Air Intake Hood - Outdoor - Aluminum Mesh Filter - Filter Qty & Size: 12 - 20x25x2 & 24 - 25x25x2	24611
Internal Isolators	3307	

Notes:

- Filters not included in price of any filter section or intake hood, see page 22 for filter prices
- Access section: other sizes available in 5" increments 15-50", consult factory for price

KAC, KAF, KAH AIR HANDLER COILS

NOMENCLATURE



Coil Construction and Materials

Consult price notes in Free Standing Coil price sheets.

Auxiliary Coil Section

Non insulated heating coil section as used on KAF models accepts coils to maximum 8 row depth.

Heating/Cooling Coil Section (KAC Models)

Maximum 10 rows of coils depth may be accommodated in insulated coil section; provided with drain pan and male pipe thread drain fitting located on same end of unit as coil connections.

Double Coils (Models 137 to 182)

Models 150 and 164 feature two coils on small and large face area (upper and lower coils).

Models 141 and 137 has double coils for large face area.

Each coil is provided with individual end plates and top and bottom plates. The upper coil is "stacked" on the lower coil. Intermediate drain pans are supplied on upper cooling coils to remove condensate from the upper coil surface thus eliminating moisture carryover.

OTHER OPTIONS AVAILABLE AT YOUR REQUEST - CONSULT FACTORY FOR PRICING

SMALL FACE AREA COILS

MODEL	COIL SIZES (FACE AREA)	FPI	ROWS DEEP							
			1	2	3	4	5	6	8	
			LIST PRICE \$							
114	1-24" x 65.5" (10.9 sq-ft)	8	3936	5216	6017	7610	9416	10738	12650	
		10	3988	5317	6168	7809	9666	11045	13056	
		12	4033	5428	6339	8032	9944	11377	13505	
117	1-24" x 80.5" (13.4 sq-ft)	8	4525	5938	6906	8802	10948	12510	14769	
		10	4588	6062	7093	9045	11259	12887	15268	
		12	4654	6193	7310	9323	11607	13300	15823	
122	1-27" x 84.5" (15.9 sq-ft)	8	5008	6734	7633	9743	11842	14033	16554	
		10	5080	6879	7856	10041	12219	14478	17152	
		12	5159	7044	8100	10370	12625	14974	17806	
128	1-27" x 107.5" (20.2 sq-ft)	8	5951	8070	9183	11860	14812	17163	20298	
		10	6046	8262	9461	12237	15286	17730	20993	
		12	6152	8477	9777	12650	15798	18353	21824	
137	1-39" x 107.5" (29.2 sq-ft)	8	7953	11074	12248	15416	19562	23065	27195	
		10	8086	11347	12654	15967	20248	23891	28287	
		12	8240	11654	13105	16563	21000	24791	28946	
141	1-42" x 107.5" (31.4 sq-ft)	8	8483	11830	13166	16290	20670	24706	29492	
		10	8646	12119	13588	16877	21408	25432	30124	
		12	8790	12442	14087	17520	22212	26401	31411	
150	1-27" x 107.5" 1-24" x 107.5" (38.0 sq-ft)	8	11523	15439	17655	22733	28429	32839	38782	
		10	11697	15793	18192	23446	29323	33954	40206	
		12	11891	16191	18777	24229	30305	35123	41770	
164	2-33" x 107.5" (49.3 sq-ft)	8	13796	19131	20826	27339	34697	40203	47396	
		10	14026	19601	21521	28267	35949	41594	49246	
		12	14277	20108	22275	29273	37123	43108	51280	
182	2-33" x 139.5" (63.9 sq-ft)	8	17903	24826	27026	35478	45025	52171	61504	
		10	18202	25435	27928	36681	46650	53975	63906	
		12	18527	26094	28906	37987	48173	55940	66545	

KAC, KAF, KAH AIR HANDLER COILS

LARGE FACE AREA COILS

MODEL	COIL SIZES (FACE AREA)	FPI	ROWS DEEP							
			1	2	3	4	5	6	8	
			LIST PRICE \$							
103	1-15" x 21.5" (2.3 sq-ft)	8	1609	2121	2744	3415	3927	4200	4954	
		10	1623	2137	2783	3451	3983	4268	5046	
		12	1627	2169	2812	3500	4042	4335	5139	
104	1-18" x 27.5" (3.5 sq-ft)	8	1952	2688	3311	4060	4807	5249	6184	
		10	1963	2719	3356	4119	4888	5346	6319	
		12	1977	2756	3415	4195	4974	5459	6461	
106	1-21" x 37.5" (5.5 sq-ft)	8	2602	3406	4060	5089	6107	6773	7989	
		10	2634	3455	4141	5195	6236	6933	8195	
		12	2659	3512	4225	5308	6376	7093	8425	
108	1-30" x 35.5" (7.4 sq-ft)	8	3248	4227	4830	5938	7355	8650	10217	
		10	3281	4297	4933	6084	7536	8863	10506	
		12	3315	4374	5051	6227	7721	9093	10806	
111	1-30" x 50.5" (10.6 sq-ft)	8	3898	5216	5866	7362	9183	10822	12758	
		10	3640	5313	6017	7563	9431	11126	13162	
		12	4001	5423	6181	7673	9709	11444	13591	
114	1-30" x 65.5" (13.7 sq-ft)	8	4642	6184	6944	8786	10998	12966	15295	
		10	4710	5448	7136	9034	11318	13356	15800	
		12	4782	6455	7351	9318	11675	13783	16369	
117	1-30" x 80.5" (16.8 sq-ft)	8	5292	7012	7998	10217	14182	15161	17856	
		10	5380	7170	8233	10535	14579	15640	18486	
		12	5466	7353	8506	10898	15033	16177	19203	
122	1-36" x 84.5" (21.2 sq-ft)	8	6267	8504	9334	11927	15082	17520	20666	
		10	6371	8698	9634	12327	15586	18118	21463	
		12	6479	8917	9957	12767	16132	18768	22334	
128	1-36" x 107.5" (26.9 sq-ft)	8	7420	10323	11329	14541	18456	21580	25448	
		10	7554	10571	11704	15049	19084	22343	26455	
		12	7687	10851	12119	15604	19772	23169	27563	
137	2-24" x 107.5" (35.9 sq-ft)	8	11131	14730	16951	21758	27240	31436	37091	
		10	11298	15071	17461	22433	28084	32456	38438	
		12	11476	15439	18014	23169	29007	33586	39914	
141	2-27" x 107.5" (40.4 sq-ft)	8	11909	16152	18362	23622	29616	34322	40465	
		10	12094	16525	18933	24376	32505	35453	41988	
		12	12307	16940	19551	25209	31650	36701	43647	
150	2-33" x 107.5" (49.3 sq-ft)	8	13796	19131	20826	27339	34697	40203	47396	
		10	14026	19601	21521	28267	35852	41594	49246	
		12	14277	20108	22309	29273	37123	43108	51280	
164	2-42" x 107.5" (62.8 sq-ft)	8	17026	24358	25525	32918	42174	48296	56861	
		10	17321	24949	26405	34099	43654	50059	59219	
		12	17743	25597	27369	35387	46595	51998	61831	
182	2-42" x 139.5" (81.4 sq-ft)	8	22094	31609	33123	42717	54728	62673	73787	
		10	22477	32376	34265	44249	56649	64960	76848	
		12	23025	33217	35516	45921	60465	67476	80236	

OPTIONS AND ACCESSORIES FOR KA* UNITS

DRIVES AND PULLEYS

MOTOR H.P.	DESCRIPTION	LIST PRICE \$
7.5 or less	Adjustable Motor Pulley - Fixed Drive Fan Pulley	2048
10		2400
15		5479
20		9875
25		11780
30		14270
40		18257
50		29875
60		37163
75		41212
100		49311

MOTOR AND DRIVE MOUNTING

Prior to shipment, motors and drives are installed, undergo a test run and are checked for vibration.

SINGLE PHASE MOTORS (TEFC)

POWER	DESCRIPTION	HP	FRAME	WT (lbs)	LIST PRICE \$
115/208-230/1/60	Totally Enclosed Fan Cooled 1800 RPM, 1.15 SERVICE FACTOR Rigid Base, Ball Bearing, Manual Overload Protection, Air Over Temp. Range: -20°F to +140°F	1/3	56HC	24	2121
		1/2	56HC	26	2211
		3/4	56HC	30	2301
		1	56HC	33	2480
		1-1/2	56HC	41	2826
208-230/1/60		2	56HC	51	3123

FRACTIONAL HORSEPOWER 3 PHASE MOTORS (TEFC)

POWER	DESCRIPTION	HP	FRAME	WT (lbs)	LIST PRICE \$
208-230/460/575	Totally Enclosed Fan Cooled 1800 RPM, 1.15 SERVICE FACTOR Rigid Base, Ball Bearing, Air Over Temp. Range: -20°F to +104°F Inverter Duty	1/3	56HC	20	1869
		1/2	56HC	23	1921
		3/4	56HC	25	2055

LARGE 3 PHASE MOTORS (TEFC)

POWER	DESCRIPTION	HP	FRAME	WT (lbs)	LIST PRICE \$
208-230/460/575	Totally Enclosed Fan Cooled Class F Insulation, 1800 RPM, 1.15 SERVICE FACTOR, Air Over Temp. Range: -20°F to +104°F Inverter Duty	1	143T	40	1973
		1.5	145T	48	2142
		2	145T	51	2231
		3	182T	89	3219
		5	184T	101	3468
		7.5	213T	136	4727
		10	215T	160	5173
		15	254T	270	7512
		20	256T	306	8126
		25	284T	372	10661
		30	286T	387	11233
		40	324T	521	13787
		Totally Enclosed Fan Cooled Class F Insulation, 1200 RPM, 1.15 SERVICE FACTOR, Air Over Temp. Range: -20°F to +104°F Inverter Duty	50	326T	565
	60		364T	730	25845
	75		365T	774	29473
	100		405T	1063	45799

Notes:

- Weights are approximate and are subject to change, drives not included.
- For air temperatures outside of this range consult factory.
- Manual reset thermal overload mounted externally on all 1 phase motors.
- NO thermal overload supplied on any 3 phase motors.
- Motor starters c/w overloads are required on all 3 phase motors (supplied and installed by others) .

OPTIONS AND ACCESSORIES FOR KA* UNITS

2" FILTERS

DESCRIPTION	SIZES	LIST PRICE \$
FARR3030 Pleated Panel Filter (Throw away)	16x20x2	44
FARR3030 Pleated Panel Filter (Throw away)	16x25x2	50
FARR3030 Pleated Panel Filter (Throw away)	20x20x2	48
FARR3030 Pleated Panel Filter (Throw away)	20x25x2	54
FARR44 All Metal Impingement Type (Washable)	16x20x2	465
FARR44 All Metal Impingement Type (Washable)	16x25x2	686
FARR44 All Metal Impingement Type (Washable)	20x20x2	503
FARR44 All Metal Impingement Type (Washable)	20x25x2	566
Standard Duty Metal Frame (less filter media)	16x20x2	145
Standard Duty Metal Frame (less filter media)	16x25x2	154
Standard Duty Metal Frame (less filter media)	20x20x2	157
Standard Duty Metal Frame (less filter media)	20x25x2	166
Heavy Duty Metal Frame AAF RENU (less filter media)	16x20x2	525
Heavy Duty Metal Frame AAF RENU (less filter media)	16x25x2	539
Heavy Duty Metal Frame AAF RENU (less filter media)	20x20x2	525
Heavy Duty Metal Frame AAF RENU (less filter media)	20x25x2	552
Replaceable Filter Media PK BLUE	16x20x2	14
Replaceable Filter Media PK BLUE	16x25x2	16
Replaceable Filter Media PK BLUE	20x20x2	17
Replaceable Filter Media PK BLUE	20x25x2	19
CWA Aluminum Mesh Filter (for fresh air intake hood only)	16x20x2	193
CWA Aluminum Mesh Filter (for fresh air intake hood only)	16x25x2	209
CWA Aluminum Mesh Filter (for fresh air intake hood only)	20x20x2	209
CWA Aluminum Mesh Filter (for fresh air intake hood only)	20x25x2	225
CWA Aluminum Mesh Filter (for fresh air intake hood only)	25x25x2	534

4" FILTERS

DESCRIPTION	SIZES	LIST PRICE \$
FARR3030 Pleated Panel Filter	16x20x4	95
FARR3030 Pleated Panel Filter	16x25x4	115
FARR3030 Pleated Panel Filter	20x20x4	104
FARR3030 Pleated Panel Filter	20x25x4	63

NON FUSED DISCONNECT SWITCH

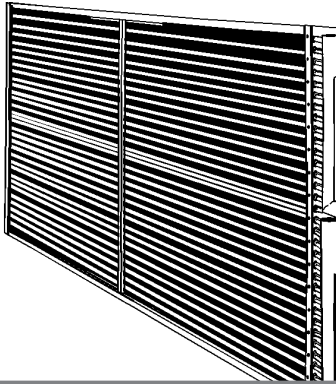
DISC SWITCH AMP SIZE	LIST PRICE \$
40	935
80	1100
100	1261
160	2866
200	3455

FAN SECTION DRAIN PAN

TYPE	PRODUCT NUMBER	FAN SECTION DRAIN PAN
ALL	KAP108F	816
	KAP111F	816
	KAP114F	884
	KAP117F	996
	KAP122F	1076
	KAP128F	1271
	KAP137F	Included
	KAP141F	Included
	KAP150F	Included
	KAP164F	Included
KAP182F	Included	

FREE STANDING COILS

NOMENCLATURE



web: www.k-rp.com/coils
 email: ahu@k-rp.com
 call: 1-844-893-3222 x527

Coil Model _____ **KDX 8 5 18 36 A --**
 KDX = Direct Expansion Refrigerant Coil
 KHR = Refrigerant Heat Reclaim Coil
 KWS = Water Heating or Cooling Coil, Single Serpentine
 KWD = Water Heating or Cooling Coil, Double Serpentine
 KWH = Water Heating or Cooling Coil, Half Serpentine
 KCC = Refrigerant Condensing Coil

Fin Spacing _____
Row Depth _____
Fin Height (in) _____
Finned Tube Length (in) _____
Fin Thickness _____
 A = 0.0055 Aluminum B = 0.0075 Aluminum
 C = 0.0090 Aluminum D = 0.0055" Copper
Manufacturing Option _____

DIRECT EXPANSION REFRIGERANT COILS, REFRIGERANT CONDENSING AND HEAT RECLAIM COILS, WATER HEATING AND COOLING COILS

TUBES - Coils are fabricated with seamless copper tubes with tube centres staggered in direction of air flow. Tubes are mechanically expanded into fully collared aluminum fins. No water is used in expansion process. No optional tubing is available.
 Water heating coils are 4 rows deep maximum. Steam heating coils are 2 rows deep maximum

Coil Type	Tube Pattern	Tube Wall Thickness
Direct Expansion (KDX)	5/8"x1.50"x1.299"	0.018"
Condenser (KCC)	1/2"x1.50"x1.299"	0.016"
Heat Reclaim (KHR)	1/2"x1.50"x1.299"	0.016"
Water Cooling/Heating (KW)	5/8"x1.50"x1.299"	0.025"

FIN - Fins have a ripple pattern for increased heat transfer and to provide additional stiffness to the fin. Fully drawn collars provide an efficient thermal bond with the tubes and allow accurate fin spacing.
 All coil models have standard 0.0055" thick fin material as standard with 0.0075" or 0.0090" thick fin material available as an option. See optional fin and tube price page for list adder

Fin Thickness	Fin Spacing	Fin Material
0.0055"	8 to 14 FPI	Aluminum & Copper
0.0075"	6 to 12 FPI	Aluminum
0.0090"	4.5 to 8 FPI	Aluminum

CASINGS - Coil casings are fabricated from G90 galvanized sheet metal. End plates are 14 to 16 gauge. Top and bottom plates are 14 to 18 gauge. Coil casings are fabricated from G90 galvanized sheet metal. End plates are 14 to 16 gauge. Top and bottom plates are 14 to 18 gauge.
 Casings are provided with 1 1/2" wide flanges with 3/8" diameter mounting holes on 3" centres from the middle of the coil casing. Top and bottom plates have a double break flange to form a channel section for added rigidity and to allow "stacking" of coils. End plates are built with formed, collared tube holes to provide additional tube support. Coils over 60" finned tube length are provided with intermediate support channels across their width for additional rigidity.

HEADERS AND DISTRIBUTORS - Headers are made from copper tubing provided with brazed copper end discs.
 Water heating and cooling coils are provided with 1/8" F.P.T. drain and vent connections at the bottom of the supply header and the top of the return header. Supply and return connections are MPT copper fittings. It can also be provided with optional intermediate drain headers interconnected with return bends for improved coil draining.
 Direct expansion coils, condensing coils and refrigerant heat reclaim coils are supplied with mitered suction and supply headers suitable for brazing to copper refrigerant line. Direct expansion coils are provided with 1/4" diameter equalizer line at the suction header.
 Refrigerant distributors are factory installed. Distributors may be supplied with auxiliary side connections for hot gas defrost or capacity control as an option.

PRESSURE TESTING AND DEHYDRATION - KDX direct expansion coils are pressure tested at 300 PSIG under water. KCC condenser coils, KHR reheat coils and KW water cooling/heating coils are tested at 450 PSIG under water to ensure leak free coils. All coils are dried thoroughly after testing.

CRATING - Coils are packaged for shipment in open crating with Aspenite sheeting protecting fin surfaces on each side of the coil.

COIL COATINGS

KeepRite Refrigeration offers various optional coil coatings as service to our customers. As equipment can be exposed to a variety of atmospheric conditions that are beyond KeepRite Refrigeration's control, customers need to decide which coating best suits their application needs. All coil coatings are sold and applied by third party suppliers and while these products can extend the life and integrity of the equipment, KeepRite Refrigeration cannot recommend, endorse or warrant any of these products. For more information on coil coatings, visit our website at www.k-rp.com/coilcoatings or contact your local KeepRite Refrigeration representative for assistance.

FREE STANDING COILS

DIRECT EXPANSION REFRIGERANT COILS, REFRIGERANT CONDENSING AND HEAT RECLAIM COILS, WATER HEATING AND COOLING COILS

1 ROW DEEP		LIST PRICE \$									
FIN HEIGHT		9"	12"	15"	18"	21"	24"	27"	30"	33"	36"
TUBES HIGH		6	8	10	12	14	16	18	20	22	24
FIN LENGTH	24"	1282	1546	1611	1769	1903	2234	2374	2562	2715	2873
	30"	1383	1611	1769	1903	2234	2374	2562	2798	3011	3155
	36"	1469	1693	1903	2142	2374	2656	5890	3092	3266	3437
	42"	1611	1826	2142	2374	2699	5890	3092	3311	3600	3891
	48"	1769	1988	2374	2562	2798	3092	3311	3527	3891	4137
	54"	1826	2142	2507	2715	3011	3311	3527	3891	4137	4419
	60"	1903	2374	2656	2877	3155	3527	3891	4137	4419	4710
	72"	2234	2562	2877	3248	3527	3972	4270	4710	4940	5222
	84"	2374	2798	3248	3606	4026	4419	5195	5624	5660	5972
96"	2656	3092	3527	4026	4419	4863	5222	5726	6114	6518	

2 ROWS DEEP		LIST PRICE \$									
FIN HEIGHT		9"	12"	15"	18"	21"	24"	27"	30"	33"	36"
TUBES HIGH		6	8	10	12	14	16	18	20	22	24
FIN LENGTH	24"	1611	1824	2137	2372	2654	2798	3087	3243	3523	3889
	30"	1769	1982	2372	2654	2877	3153	3399	3600	3972	4263
	36"	1824	2230	2559	2877	3153	3435	3652	4024	4324	4706
	42"	1982	2372	2710	3087	3435	3889	4135	4417	4764	5071
	48"	2228	2654	3008	3399	3652	4135	4417	4764	5159	5586
	54"	2372	2798	3153	3600	4024	4478	4764	5159	5653	6019
	60"	2559	3008	3336	3972	4701	4760	5071	5586	6019	6434
	72"	2826	3243	3600	4200	4706	5615	5717	6186	6696	7132
	84"	3008	3435	4135	4706	5159	5800	6407	6831	7486	8089
96"	3309	3889	4478	5069	5800	6407	7044	7660	8287	8957	

3 ROWS DEEP		LIST PRICE \$									
FIN HEIGHT		9"	12"	15"	18"	21"	24"	27"	30"	33"	36"
TUBES HIGH		6	8	10	12	14	16	18	20	22	24
FIN LENGTH	24"	2381	2555	2747	2963	3155	3378	3582	3753	3979	4164
	30"	2555	2747	3026	3234	3489	3710	3938	4164	4417	4636
	36"	2717	2963	3263	3523	3753	4051	4306	4597	4852	5091
	42"	2889	3155	3496	3807	4080	4378	4678	5042	5263	5595
	48"	3060	3378	3737	4080	4378	4717	5042	5380	5717	6069
	54"	3234	3582	3979	4351	4717	5042	5419	5787	6161	6515
	60"	3428	3753	4234	4615	5001	5380	5787	6227	6608	6980
	72"	3753	4234	4717	5186	5615	6069	6515	6980	7481	7940
	84"	4105	4615	5186	5717	6213	6743	7260	8524	8612	8878
	96"	4441	5001	5678	6242	6831	7407	8003	8626	9269	9824
	108"	4760	5407	6204	6791	7436	8068	8741	9418	10266	10985
120"	5091	5800	6707	7323	8052	8716	9481	10205	11125	11905	

4 ROWS DEEP		LIST PRICE \$									
FIN HEIGHT		9"	12"	15"	18"	21"	24"	27"	30"	33"	36"
TUBES HIGH		6	8	10	12	14	16	18	20	22	24
FIN LENGTH	24"	2927	3155	3401	3634	3909	4141	4378	4615	4873	5091
	30"	3155	3428	3710	3979	4306	4597	4859	5091	5446	5717
	36"	3378	3710	3990	4351	4717	5001	5365	5647	6019	6346
	42"	3606	3979	4306	4678	5091	5446	5823	6204	6608	6962
	48"	3807	4234	4636	5042	5522	5879	6500	6743	7143	7587
	54"	4051	4500	4947	5380	5931	6346	6800	7260	7741	8226
	60"	4234	4755	5243	5771	6306	6800	7314	7831	8314	8851
	72"	4717	5333	5879	6477	7077	7666	8285	8878	9481	10104
	84"	4913	5868	6491	7143	7870	8599	9269	10007	10632	11350
	96"	5159	6346	7114	7849	8689	9461	10253	11022	11824	12575
	108"	6024	6868	7764	8533	9508	10350	11284	12013	13013	13839
120"	6488	7504	8409	9199	10307	11212	12298	12979	14205	15064	

FREE STANDING COILS

DIRECT EXPANSION REFRIGERANT COILS, REFRIGERANT CONDENSING AND HEAT RECLAIM COILS, WATER HEATING AND COOLING COILS

5 ROWS DEEP		LIST PRICE \$									
FIN HEIGHT		9"	12"	15"	18"	21"	24"	27"	30"	33"	36"
TUBES HIGH		6	8	10	12	14	16	18	20	22	24
FIN LENGTH	24"	3234	3600	3929	4297	4642	4954	5299	5647	5992	6328
	30"	3577	3929	4234	4706	5152	5532	5933	6455	6723	7114
	36"	3823	4297	4706	5170	5647	6114	6527	6380	7504	7924
	42"	4101	4615	5152	5647	6125	6680	7152	7698	8233	8734
	48"	4392	4915	5532	6060	6673	7244	7809	8391	8989	9526
	54"	4681	4888	5933	6527	7161	7378	8418	9079	9731	10339
	60"	4954	5579	6455	6998	7698	8391	9079	9786	10499	11133
	72"	5532	6281	7114	7888	8716	9526	9693	11133	11986	12738
	84"	6060	6976	7924	8817	9731	10713	10305	12534	13487	14356
	96"	6622	7635	9118	9698	10788	11857	12844	13787	14976	15974
	108"	7208	8323	9485	10607	11817	12961	14096	15055	16509	17563
120"	7777	8998	10293	11496	12844	14139	15337	16297	18001	19176	

6 ROWS DEEP		LIST PRICE \$									
FIN HEIGHT		9"	12"	15"	18"	21"	24"	27"	30"	33"	36"
TUBES HIGH		6	8	10	12	14	16	18	20	22	24
FIN LENGTH	24"	3460	3832	4234	4651	5033	5473	5868	6245	6635	7044
	30"	3801	4218	4706	5170	5647	6152	6590	7053	7542	8003
	36"	4105	4615	5170	5710	6231	6807	7344	8233	8418	8969
	42"	4417	5001	5647	6200	6868	7504	8116	9079	9334	9921
	48"	4746	5378	6114	6791	7461	8170	8872	9887	10203	10885
	54"	5042	5773	6572	7332	8064	8872	9612	10713	11099	11857
	60"	5378	6186	7035	7849	11769	9549	10339	11512	11986	12821
	72"	6024	6976	7951	8912	9759	10885	13306	13162	13776	14728
	84"	6707	7752	8878	9984	11099	12248	13356	14809	15561	16692
	96"	7344	8535	9822	11061	12313	13604	14868	16448	17339	18594
	108"	8003	9334	10724	12142	13512	14958	16328	18102	19129	20535
120"	8639	10066	11598	13216	14712	16324	17847	19768	20916	22480	

7 ROWS DEEP		LIST PRICE \$									
FIN HEIGHT		9"	12"	15"	18"	21"	24"	27"	30"	33"	36"
TUBES HIGH		6	8	10	12	14	16	18	20	22	24
FIN LENGTH	24"	3652	4080	4518	5152	5346	5800	6206	6642	7073	7479
	30"	3997	4478	4992	5473	5981	6515	6989	8168	7998	8472
	36"	4369	4882	5473	6069	6633	7222	7795	8741	8953	9515
	42"	4687	5326	5981	6633	7287	7951	8599	9621	9887	10533
	48"	5035	5717	6477	7206	7915	8680	9397	10503	10840	11553
	54"	5378	6127	6962	7764	8569	9397	10199	11374	12140	12571
	60"	5717	6552	7454	8332	9199	10115	10989	12239	12733	13620
	72"	6409	7378	8454	9461	10503	11553	12571	13983	14624	15629
	84"	7127	8226	9440	10623	11794	12995	14159	15728	13388	17696
	96"	7795	9059	10404	11758	13078	14455	15766	17477	18414	19754
	108"	8472	9887	11420	12902	14270	15884	17330	19217	20291	21799
120"	9170	10729	12352	14031	15432	17321	22972	20975	22191	23848	

8 ROWS DEEP		LIST PRICE \$									
FIN HEIGHT		9"	12"	15"	18"	21"	24"	27"	30"	33"	36"
TUBES HIGH		6	8	10	12	14	16	18	20	22	24
FIN LENGTH	24"	4080	4518	5001	5437	5945	6434	6917	7373	7843	9115
	30"	4446	4850	5563	6109	6644	7258	7786	8332	8878	9418
	36"	4859	5432	6109	6714	7360	8041	8680	9722	10722	10557
	42"	5216	5890	6644	7360	8082	8836	9567	10684	10989	11684
	48"	5599	6346	7206	7998	8817	9632	10436	11652	12015	12835
	54"	5978	6804	7750	8639	9515	10436	11338	12623	13105	13983
	60"	6346	7287	8285	9269	10214	11241	12194	13566	14137	15121
	72"	7116	8213	9379	10526	11652	12835	13983	15525	16249	17393
	84"	7915	9133	10503	11794	12144	14455	15755	17477	18357	19664
	96"	8680	10066	11569	13060	14505	16039	17511	19418	20465	21934
	108"	9418	10989	12632	14313	15947	17646	19253	21372	22548	24211
120"	10190	11896	13737	15595	17342	19249	21573	23300	24663	26500	

FREE STANDING COILS

PRICING OF COILS EXCEEDING STANDARD SIZES SHOWN IN PRICE SHEETS

PRICE FOR COILS

MORE THAN EIGHT (8) ROWS

Add eight (8) rows coil price with price adder below

ROWS	9	10
PRICE ADDER	20%	30%

COIL LENGTH GREATER THAN 120"

Extrapolation + 5% on calculated base price
Surcharge is added to calculated base price before adding optional prices.

Maximum allowable length for 1 to 2 row coil is 120".

<u>Sample Calculation</u>		
Coil Size: 36"(H) x 144"(L) x 4 Rows		
144" minus 120" = 24" length difference		
<u>Description</u>		<u>List</u>
Price of 36" x 120" coil		\$15,064
Price of 36" x 96" coil	-	\$12,575
24" length difference		\$2,489
Price of 36" x 120" coil	+	\$15,064
		\$17,554
5% surcharge	x	1.05
Total List Price		\$18,431

FINNED HEIGHT

GREATER THAN 36" AND UP TO 60"

Extrapolation to calculate base price

<u>Sample Calculation</u>		
Coil Size: 42"(H) x 96"(L) x 4 Rows		
42" minus 36" = 6" height difference		
<u>Description</u>		<u>List</u>
Price of 36" x 96" coil		\$12,575
Price of 30" x 96" coil	-	\$11,022
6" height difference		\$1,553
Price of 36" x 96" coil	+	\$12,575
Total List Price		\$14,128

FINNED HEIGHT

GREATER THAN 60" AND UP TO 84"

Coil height exceeds 60", coil will be priced as two (2) coils of half the height dimension.

<u>Sample Calculation</u>		
Coil Size: 72"(H) x 96"(L) x 4 Rows		
72" divided by 2 = 36" half coil		
<u>Description</u>		<u>List</u>
Price of 36" x 96" coil		\$12,575
Price of 36" x 96" coil	+	\$12,575
Total List Price		\$25,150

OPTIONAL COIL CONSTRUCTION

ITEM	DESCRIPTION	LIST PRICE \$	PRICE NOTES
Option #1	Intermediate drain header	54	per linear inch of header
Option #2	Header modification	989	per coil
Option #3	Multiple refrigeration circuits - Direct Expansion Coil	1348	per additional circuit
	Multiple refrigeration circuits - Other Coil Type	363	per additional circuit

#1 INTERMEDIATE DRAIN HEADERS It is practically impossible to satisfactorily drain water from a large water coil. Coil tilt and tube sag will always trap a significant amount of water. In addition standard coils drain very slowly. In cases where it is essential to drain enough water from the coils to prevent freezing of water within tubes and return bends it is advisable to provide the coil with intermediate drain headers. A 1 1/8" O.D. header assembly is incorporated with return bends to provide positive drainage of each tube. Header assemblies are provided with a 3/8" I.D. FPT fitting and plug at top and bottom to ensure adequate drainage and venting. Contact factory for full particulars and application of intermediate drain headers.

#2 HEADER MODIFICATION Additional charges for coils requiring extended horizontal connections up to a maximum of 12", changing direction of connection locations and requiring crossover connections.

#3 MULTIPLE REFRIGERATION CIRCUITS Additional charges for coils with more than standard number of DX refrigeration circuits are required for either face or row split, or when more than one circuit is required for condensing or heat reclaim coils.

FREE STANDING COILS

OPTIONAL FIN AND TUBES

DESCRIPTION		FPI	WEIGHT FACTOR	PRICE ADDER
			Lbs/Ft ² /Row	\$/Ft ² /Row
0.0055" ALUMINUM FINS		8	+ 0.00	NO CHARGE
		10	+ 0.20	5
		12	+ 0.40	11
		14	+ 0.60	14
		6	+ 0.02	2
0.0075" ALUMINUM FINS		8	+ 0.29	7
		10	+ 0.57	13
		12	+ 0.84	20
		4.5	-0.06	NO CHARGE
		6	+ 0.18	5
0.0090" ALUMINUM FINS		8	+ 0.51	13
		10	+ 0.84	20
		12	+ 1.17	27
		8	+ 0.00	20
		10	+ 0.20	25
0.0055" GOLD COAT FINS		12	+ 0.40	31
		14	+ 0.60	38
	0.0055" COPPER FINS	8	+ 1.85	CONSULT FACTORY
		10	+ 2.52	
12		+ 3.18		
14		+ 3.85		
KCC KHR	1/2" OD x 0.016" Copper Wall Tube		+ 0.00	NO CHARGE
	1/2" OD x 0.020" Copper Wall Tube		+ 0.71	NO CHARGE
	5/8" OD x 0.018" Copper Wall Tube		+ 0.80	NO CHARGE
	5/8" OD x 0.025" Copper Wall Tube		+ 1.10	47
	5/8" OD x 0.035" Copper Wall Tube		+ 1.52	63
	5/8" OD x 0.049" Copper Wall Tube		+ 2.07	86
KDX	5/8" OD x 0.018" Copper Wall Tube		+ 0.80	NO CHARGE
	5/8" OD x 0.025" Copper Wall Tube		+ 1.10	47
	5/8" OD x 0.035" Copper Wall Tube		+ 1.52	63
	5/8" OD x 0.049" Copper Wall Tube		+ 2.07	NO CHARGE
KWS	5/8" OD x 0.025" Copper Wall Tube		+ 1.10	NO CHARGE
KWH	5/8" OD x 0.035" Copper Wall Tube		+ 1.52	63
KWD	5/8" OD x 0.049" Copper Wall Tube		+ 2.07	86

OPTIONAL FINNS

Standard fin is 0.0055" aluminum with 8FPI. See below for formula to calculate price adder for optional fins and tubes.

Optional Fin List Adder \$	=	$\frac{\text{List Adder}}{(\$/\text{sq-ft}/\text{row})}$	x	$\frac{\text{Total Face Area}}{(\text{sq-ft})}$	x	Total # of Rows
Optional Fin Weight Adder (lbs)	=	$\frac{\text{Weight factor}}{(\text{lbs}/\text{sq-ft}/\text{row})}$	x	$\frac{\text{Total Face Area}}{(\text{sq-ft})}$	x	Total # of Rows

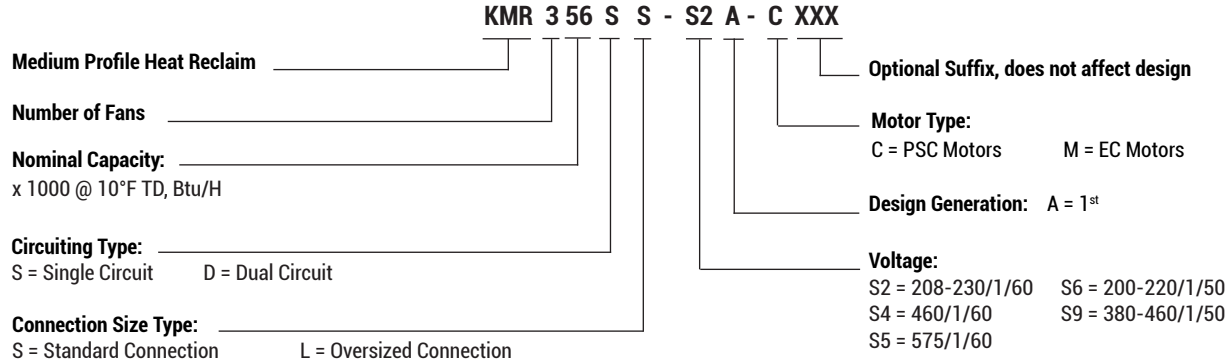
OPTIONAL TUBING

Check tube specifications for the various refrigerant, water or steam coils to ensure that an optional tube thickness is required. Free Standing Coil price sheets are based on 1/2" OD Tube with 0.016" wall thickness.

Optional Fin List Adder \$	=	$\frac{\text{List Adder}}{(\$/\text{sq-ft}/\text{row})}$	x	$\frac{\text{Total Face Area}}{(\text{sq-ft})}$	x	Total # of Rows
Optional Tube Weight Adder (lbs)	=	$\frac{\text{Weight factor}}{(\text{lbs}/\text{sq-ft}/\text{row})}$	x	$\frac{\text{Total Face Area}}{(\text{sq-ft})}$	x	Total # of Rows

KMR - MEDIUM PROFILE HEAT RECLAIM

NOMENCLATURE



STANDARD FEATURES

- Compatible with Low GWP Refrigerants
- Totally enclosed high efficiency PSC motors
- High efficiency and high strength fan guard
- Hinged access panels
- Ample electrical and header compartments

AVAILABLE OPTIONS

- Wire fan guard
- Corrosion protection: alternate fin materials and coatings
- EC motors
- Additional options available, please contact factory

STANDARD PSC Motors			WEIGHT		OPTIONAL EC Motors	
MODEL	VOLTAGE	\$	lbs.	kg	MODEL	\$
KMR118SS-S2A-C	208-230/1/60	9649	161	73.2	KMR118SS-S2A-M	10524
KMR118SS-S4A-C	460/1/60	9649	161	73.2	-	-
KMR118SS-S5A-C	575/1/60	9649	161	73.2	-	-
KMR228SS-S2A-C	208-230/1/60	10840	240	109	KMR228SS-S2A-M	11715
KMR228SS-S4A-C	460/1/60	10840	240	109	-	-
KMR228SS-S5A-C	575/1/60	10840	240	109	-	-
KMR235SS-S2A-C	208-230/1/60	14070	254	115	KMR235SS-S2A-M	14945
KMR235SS-S4A-C	460/1/60	14070	254	115	-	-
KMR235SS-S5A-C	575/1/60	14070	254	115	-	-
KMR345SS-S2A-C	208-230/1/60	15809	326	148	KMR345SS-S2A-M	16684
KMR345SS-S4A-C	460/1/60	15809	326	148	-	-
KMR345SS-S5A-C	575/1/60	15809	326	148	-	-
KMR356SS-S2A-C	208-230/1/60	18391	349	159	KMR356SS-S2A-M	19266
KMR356SS-S4A-C	460/1/60	18391	349	159	-	-
KMR356SS-S5A-C	575/1/60	18391	349	159	-	-



2024 Refrigeration Products Price List

KLP-2024-1 - EFFECTIVE DATE: 01 MARCH 2024 - SUPERCEDES: KLP-2023-4



NOTES



2024 Refrigeration Products Price List

KLP-2024-1 - EFFECTIVE DATE: 01 MARCH 2024 - SUPERCEDES: KLP-2023-4



NOTES



2024 Refrigeration Products Price List

KLP-2024-1 - EFFECTIVE DATE: 01 MARCH 2024 - SUPERCEDES: KLP-2023-4



NOTES

PRODUCT SUPPORT RESOURCES



PRODUCT SUPPORT

web: k-rp.com/support
email: ahu@k-rp.com
call: 1-844-893-3222 x527



TROUBLESHOOTING

email: troubleshooting@k-rp.com
call: 1-844-893-3222 x529



SERVICE PARTS

web: k-rp.com/parts
email: parts@k-rp.com
call: 1-844-893-3222 x504



WARRANTY

web: k-rp.com/warranty
email: warranty@k-rp.com
call: 1-844-893-3222 x507



ORDERS

email: orders@k-rp.com
call: 1-844-893-3222 x501



SHIPPING

email: shipping@k-rp.com
call: 1-844-893-3222 x503

