

## PRODUCT DATA & SPECIFICATIONS

Bulletin K30-CO2-PDS-1  
Part # 1110871

	<b>PRODUCT SUPPORT</b>	<i>scan:</i> 
	web: <a href="http://www.k-rp.com/co2">www.k-rp.com/co2</a>	
	email: <a href="mailto:evaps@k-rp.com">evaps@k-rp.com</a>	
	call: 1-844-893-3222 x520	

### Air, Electric, & Hot Gas Defrost

Electrical Power:  
208-230/1/60, 208-230/3/60,  
460/1/60, 460/3/60, 575/1/60, 575/3/60

## MODELS FOR CO<sub>2</sub> SYSTEMS

INCLUDES MODELS FOR DOE & NRCAN  
**AWEF-COMPLIANT APPLICATIONS**

Some exceptions by voltage. See details within.



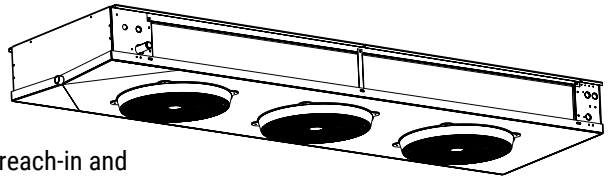
**SMARTSPEED™**  
FAN MOTOR TECHNOLOGY  
**STANDARD ON MOST MODELS**  
(PSC standard on 575 volt models)



## CONTENTS

	<b>Page</b>
KTM Two-Way .....	2 - 6
KLV Low Velocity.....	7 - 12
KLP Low Profile.....	13 - 23
KMP Medium Profile.....	24 - 35
Product Support Resources: Service Parts, Troubleshooting, Warranty, etc.....	BACK

# KTM Two-Way



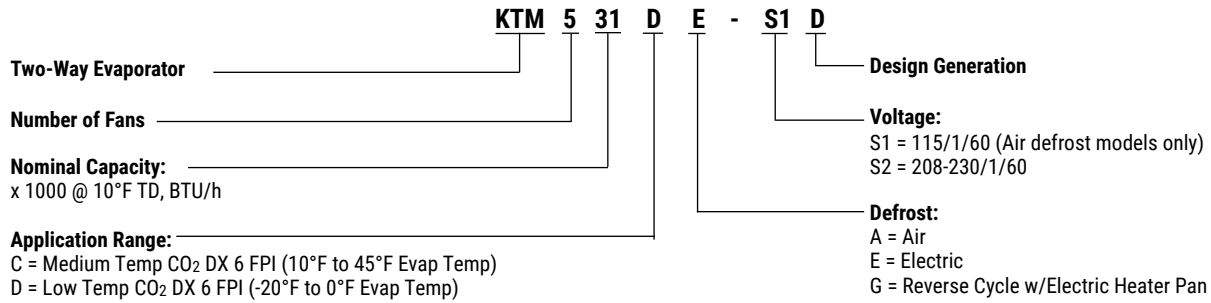
Ideal for reach-in and walk-in coolers. Features dual refrigeration coils and two-way air distribution, effectively reducing air velocities and minimizing product dehydration.



PRODUCT SUPPORT  
 web: [www.k-rp.com/ktm](http://www.k-rp.com/ktm)  
 email: [evaps@k-rp.com](mailto:evaps@k-rp.com)  
 call: 1-844-893-3222 x520



## NOMENCLATURE



## STANDARD FEATURES

- EC motors with patented SmartSpeed® Technology
- Heavy gauge textured aluminum cabinet construction resists scratches/corrosion and minimizes weight for shipment, installation and service.
- Dual refrigeration coils with two-way air distribution reduces air velocities to minimize product dehydration.
- Air enters through fan and discharges two ways out of each coil side.
- Low height compact size usable storage space.
- Internally enhanced tube.
- Attractive and durable high-density polyethylene fan guards.
- Hinged drain pan provides convenient access for cleaning.
- Terminal board allows for easy electrical connections.
- Reduced operating charge with 3/8" OD tubing
- Factory pressure tested to 650 PSIG

**SMARTSPEED™**  
FAN MOTOR TECHNOLOGY  
**STANDARD ON ALL MODELS**

## AVAILABLE OPTIONS

- Transducer Schrader with Service Isolation Valve
- Wire Fan Guards
- Alternate Fin Material
- Electronic expansion valve (EEV)
- Transducer for EEV
- Insulated drain pan
- Additional options available, please contact factory

## SELECTION DATA - MEDIUM TEMP. MODELS

### Medium Temperature - 6 FPI Models

Model KTM	Qty. Fans	Evaporator Temperature Selection Capacity BTU/h			Air Flow		Refrig. Charge	
		20/25°F (-4/-7°C)	15°F (-9°C)	10°F (-12°C)	CFM	L/S	LB.	KG
215C	2	12500	12400	12300	1900	897	2.7	1.2
318C	3	14800	14700	14500	3030	1430	3.0	1.3
321C		16800	16600	16500	2850	1345	4.0	1.8
426C	4	21100	20900	20700	3780	1784	5.0	2.3
531C	5	25400	25100	24900	4630	2185	5.0	2.3

- Capacities are rated based on nominal 10°F TD, 34°F - 38°F liquid temperature
- Maximum Suction Temperature 30°F (Liquid temperature must be higher than the lowest suction temperature)
- Capacities at other TD within a range of 8 to 15°F (4.4 to 8.3°C) are directly proportional to TD, or use formula:  
Capacity = Rated capacity ÷ 10 x TD.
- Nozzle Selections for Medium Temperature DX application are based on 34°F - 38°F liquid temperature and 25°F suction temperature at 10°F TD.

### Low Temperature - 6 FPI Models

Model KTM	Qty. Fans	Evaporator Temperature Selection Capacity BTU/h			Air Flow		Refrig. Charge	
		0°F (-18°C)	-10°F (-23°C)	-20°F (-29°C)	CFM	L/S	LB.	KG
212D	2	10500	10200	9920	1900	897	2.7	1.2
315D	3	13100	12800	12400	3030	1430	3.0	1.3
318D		15600	15100	14700	2850	1345	4.0	1.8
422D	4	19000	18400	17900	3780	1784	5.0	2.3
526D	5	22400	21700	21100	4630	2185	5.0	2.3

- Capacities are rated based on nominal 10°F TD, 34°F - 38°F liquid temperature
- Capacities at other TD within a range of 8 to 15°F (4.4 to 8.3°C) are directly proportional to TD, or use formula:  
Capacity = Rated capacity ÷ 10 x TD.
- Nozzle Selections for Low Temperature DX application are based on 34°F - 38°F liquid temperature and -20°F suction temperature at 10°F TD.

## 115/1/60: Air Defrost

Model KTM	FAN MOTORS				
	Qty.	Standard SMARTSPEED <sup>®</sup> EC Motors			
		FLA Total	MCA (A)	Watts	Max. Fuse (AMPS)
215CA-S1D	2	3.0	3.4	104	15
318CA-S1D	3	4.5	4.9	156	15
321CA-S1D		4.5	4.9	156	15
426CA-S1D	4	6.0	6.4	208	15
531CA-S1D	5	7.5	7.9	260	15

## 208-230/1/60: Air Defrost

Model KTM	FAN MOTORS				
	Qty.	Standard SMARTSPEED <sup>®</sup> EC Motors			
		FLA Total	MCA (A)	Watts	Max. Fuse (AMPS)
215CA-S2D	2	2.0	2.3	104	15
318CA-S2D	3	3.0	3.3	156	15
321CA-S2D		3.0	3.3	156	15
426CA-S2D	4	4.0	4.3	208	15
531CA-S2D	5	5.0	5.3	260	15

## 208-230/1/60: Electric Defrost

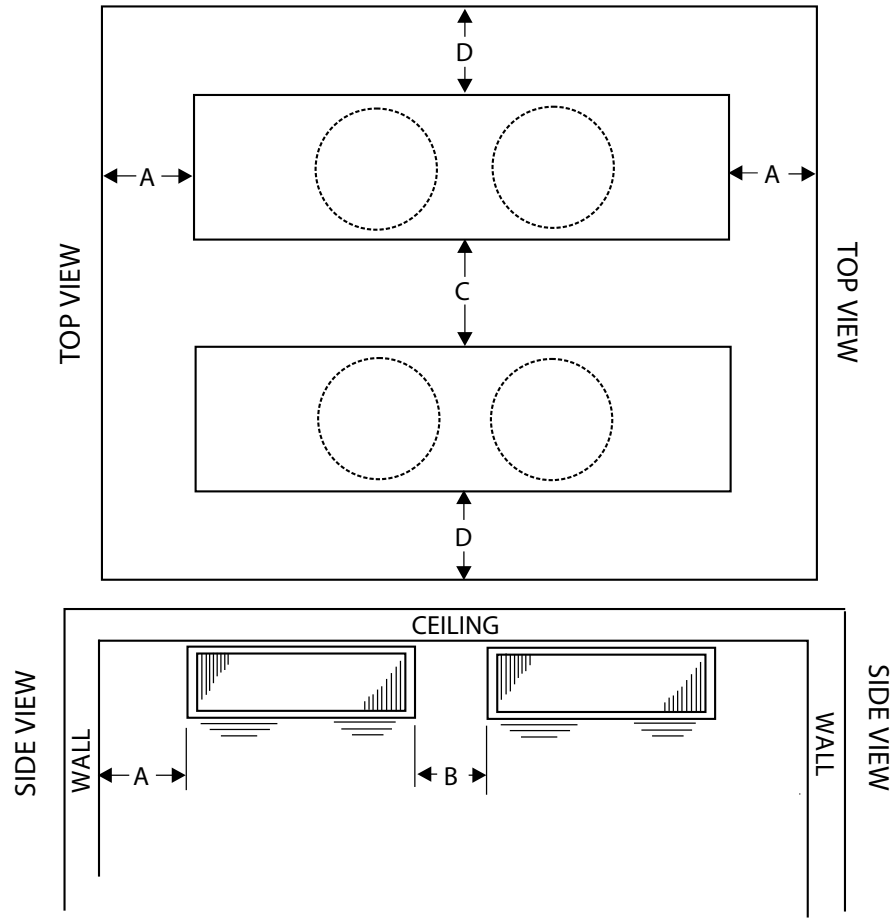
Model KTM	FAN MOTORS					DEFROST HEATERS			
	Qty.	Standard SMARTSPEED <sup>®</sup> EC Motors				Total WATTS	Total AMPS	MCA (A)	Max. Fuse (AMPS)
		FLA Total	MCA (A)	Watts	Max. Fuse (AMPS)				
215CE-S2D	2	2.0	2.3	104	15	2600	11.3	14.1	15
318CE-S2D	3	3.0	3.3	156	15	3720	16.2	20.3	25
321CE-S2D		3.0	3.3	156	15	3720	16.2	20.3	25
426CE-S2D	4	4.0	4.3	208	15	3720	16.2	20.3	25
531CE-S2D	5	5.0	5.3	260	15	4560	19.8	24.8	25
212DE-S2D	2	2.0	2.3	104	15	2600	11.3	14.1	15
315DE-S2D	3	3.0	3.3	156	15	3720	16.2	20.3	25
318DE-S2D		3.0	3.3	156	15	3720	16.2	20.3	25
422DE-S2D	4	4.0	4.3	208	15	3720	16.2	20.3	25
526DE-S2D	5	5.0	5.3	260	15	4560	19.8	24.8	25

## 115/1/60: Hot Gas Defrost

Model KTM	FAN MOTORS					DRAIN PAN HEATERS			
	Qty.	Standard SMARTSPEED <sup>®</sup> EC Motors				Total WATTS	Total AMPS	MCA (A)	Max. Fuse (AMPS)
		FLA Total	MCA (A)	Watts	Max. Fuse (AMPS)				
215CG-S1D	2	3	3.4	104	15	1300	11.3	14.1	15
318CG-S1D	3	4.5	4.9	156	15	1860	16.2	20.3	25
321CG-S1D	3	4.5	4.9	156	15	1860	16.2	20.3	25
426CG-S1D	4	6	6.4	208	15	1860	16.2	20.3	25
531CG-S1D	5	7.5	7.9	260	15	2280	19.8	24.8	25

## 208-230/1/60: Hot Gas Defrost

Model KTM	FAN MOTORS					DEFROST HEATERS			
	Qty.	Standard SMARTSPEED <sup>®</sup> EC Motors				Total WATTS	Total AMPS	MCA (A)	Max. Fuse (AMPS)
		FLA Total	MCA (A)	Watts	Max. Fuse (AMPS)				
215CG-S2D	2	2	2.3	104	15	1300	5.7	7.1	15
318CG-S2D	3	3	3.3	156	15	1860	8.1	10.1	15
321CG-S2D	3	3	3.3	156	15	1860	8.1	10.1	15
426CG-S2D	4	4	4.3	208	15	1860	8.1	10.1	15
531CG-S2D	5	5	5.3	260	15	2280	9.9	12.4	15

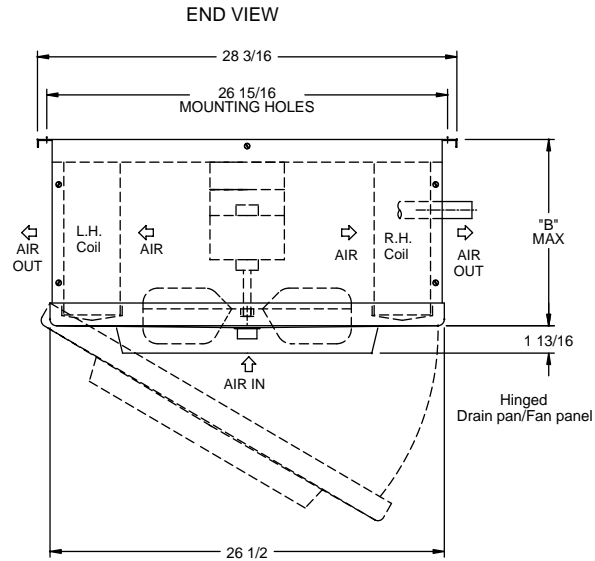


DIMENSION		A	B	C	D
MINIMUM	ft.	2	2	6	3
	cm.	61	61	183	92
Maximum	ft.	-	7	40	20
	cm.	-	210	1200	600

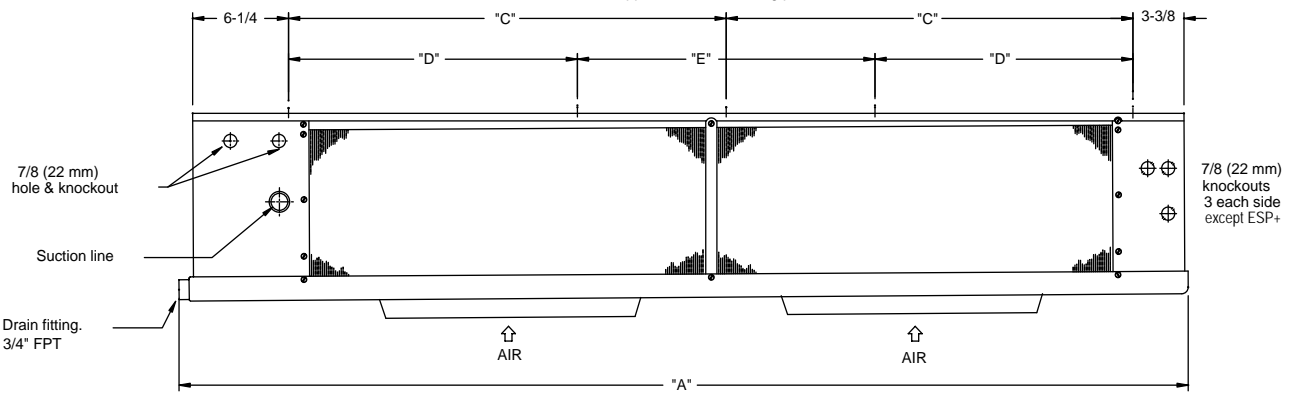
# DIMENSIONAL DATA

# KTM - TWO-WAY CO<sub>2</sub> EVAPORATORS

- NOTES: 1). Dimensions shown are typical for Air defrost, Electric, and Hot Gas defrost
- 2). Electrical connection end is opposite to the piping end on all models.
- 3). 1/4" O.D. external equalizer line and service access fitting included on all suction headers inside end compartment



SIDE VIEW  
MOUNTING HOLES (3/8" DIA.) & PIPING CONNECTION  
Unit cooler is to be supported at all mounting points



MODEL KTM	# FANS	A		B		C		D		E	
		in	mm	in	mm	in	mm	in	mm	in	mm
215C	2	67 1/2	1715	8 11/16	221	27 1/2	699	-	-	-	-
318C	3	93 1/2	2375	8 11/16	221	40 1/2	1029	-	-	-	-
321C		93 1/2	2375	8 11/16	221	40 1/2	1029	-	-	-	-
426C	4	93 1/2	2375	8 11/16	221	40 1/2	1029	-	-	-	-
531C	5	113 1/2	2883	8 11/16	221	-	-	40 1/2	1029	20	508
212D	2	67 1/2	1715	8 11/16	221	27 1/2	699	-	-	-	-
315D	3	93 1/2	2375	8 11/16	221	40 1/2	1029	-	-	-	-
318D		93 1/2	2375	8 11/16	221	40 1/2	1029	-	-	-	-
422D	4	93 1/2	2375	8 11/16	221	40 1/2	1029	-	-	-	-
526D	5	113 1/2	2883	8 11/16	221	-	-	40 1/2	1029	20.00	508

MODEL KTM	NO. OF FANS	TUBE CONNECTIONS						SHIPPING WEIGHT	
		SUCTION (OD)		DISTRIBUTOR INLET		HOT GAS SIDE			
		Inches	mm	Inches	mm	Inches	mm	lbs.	kg
215C	2	3/8	10	3/8	10	1/2	13	116	53
318C	3	3/8	10	3/8	10	1/2	13	150	68
321C	3	3/8	10	3/8	10	1/2	13	157	71
426C	4	1/2	13	3/8	10	1/2	13	164	74
531C	5	1/2	13	1/2	13	1/2	13	198	90
212D	2	3/8	10	3/8	10	-	-	110	50
315D	3	3/8	10	3/8	10	-	-	150	68
318D	3	1/2	13	3/8	10	-	-	157	71
422D	4	1/2	13	3/8	10	-	-	164	74
526D	5	1/2	13	1/2	13	-	-	198	90

**FACTORY INSTALLED DISTRIBUTOR NOZZLES**

**Medium Temperature**

Model KTM	CO <sub>2</sub>
215C	L 1/4
318C	L 1/4
321C	L 1/3
426C	L 1/2
531C	L 1/2

- Capacities are rated based on nominal 10°F TD, 34°F - 38°F liquid temperature
- Maximum Suction Temperature 30°F (Liquid temperature must be higher than the lowest suction temperature)
- Capacities at other TD within a range of 8 to 15°F (4.4 to 8.3°C) are directly proportional to TD, or use formula:  
Capacity = Rated capacity ÷ 10 x TD.
- Nozzle Selections for Medium Temperature DX application are based on 34°F - 38°F liquid temperature and 25°F suction temperature at 10°F TD.

**Low Temperature**

Model KTM	CO <sub>2</sub>
212D	L 1/4
315D	L 1/3
318D	L 1/3
422D	L 1/2
526D	L 3/4

- Capacities are rated based on nominal 10°F TD, 34°F - 38°F liquid temperature
- Capacities at other TD within a range of 8 to 15°F (4.4 to 8.3°C) are directly proportional to TD, or use formula:  
Capacity = Rated capacity ÷ 10 x TD.
- Nozzle Selections for Low Temperature DX application are based on 34°F - 38°F liquid temperature and -20°F suction temperature at 10°F TD.

**AWEF RATINGS**

**Annual Walk-In Energy Factor Ratings**

If a numerical value is listed in the table below, the following statement applies to that corresponding model: "This refrigeration system is designed and certified for use in walk-in cooler/freezer applications."

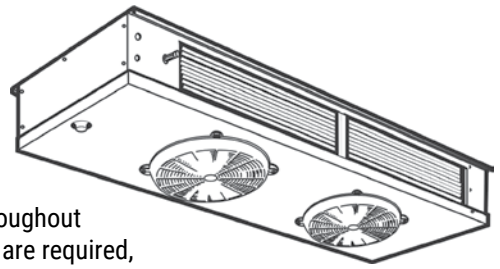
**Medium Temperature**

Model KTM	CO <sub>2</sub>
215C	9.00
318C	9.00
321C	9.00
426C	9.00
531C	9.00

**Low Temperature**

Model KTM	CO <sub>2</sub>
212D	4.05
315D	4.09
318D	4.12
422D	4.15
526D	4.15

# KLV Low Velocity



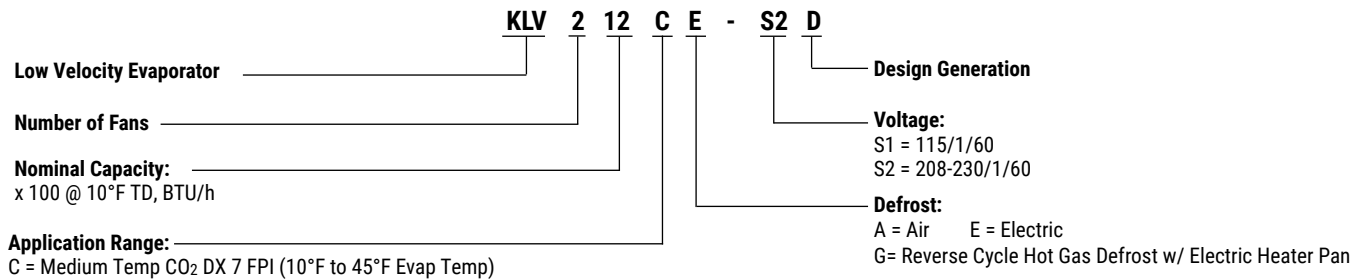
Ideally suited where low air movement and even temperatures throughout the refrigerated space are required, while maintaining desired humidity conditions.



**PRODUCT SUPPORT**  
 web: [www.k-rp.com/klv](http://www.k-rp.com/klv)  
 email: [evaps@k-rp.com](mailto:evaps@k-rp.com)  
 call: 1-844-893-3222 x520



## NOMENCLATURE



## STANDARD FEATURES

- EC motors with patented SmartSpeed® Technology.
- Heavy gauge textured aluminum cabinet construction resists scratches/corrosion and minimizes weight for shipment, installation and service.
- Specially designed for quiet operation - ideal for prep. rooms.
- Dual refrigeration coils with two-way air distribution reduces air velocities to minimize product dehydration.
- Reduced operating charge with 3/8" OD tubing
- Spacious end compartment allows for easy component installation.
- Attractive and durable high-density polypropylene fan guards.
- Hinged drain pan provides convenient access for cleaning.
- Terminal board allows for easy electrical connections.
- Internally enhanced tube
- Factory pressure tested to 650 PSIG



**STANDARD ON ALL MODELS**

## AVAILABLE OPTIONS

- Transducer Schrader with Service Isolation Valve
- Wire Fan Guards
- Alternate Fin Material
- Electronic expansion valve (EEV)
- Transducer for EEV
- Insulated drain pan
- Additional options available, please contact factory

## SELECTION DATA

### Medium Temperature - 7 FPI Models

Model KLV	Qty. Fans	Evaporator Temperature Selection Capacity BTU/h			Air Flow		Refrig. Charge	
		20/25°F (-4/-7°C)	15°F (-9°C)	10°F (-12°C)	CFM	L/S	LB.	KG
106	1	4870	4820	4770	850	401	2.2	1.0
109		7040	6970	6900	1120	529	3.8	1.7
212	2	10100	10000	9900	1500	708	5.6	2.5
217		14100	14000	13800	2000	944	6.3	2.9
325	3	20500	20300	20100	2785	1314	8.7	4.0
331		25400	25100	24900	3400	1605	8.5	3.9
437	4	30300	30000	29700	4000	1888	10.3	4.7
441		33300	33000	32600	4370	2062	13.1	6.0
546	5	37000	36600	36300	4840	2284	13.1	6.0

- Capacities are rated based on nominal 10°F TD, 34°F - 38°F liquid temperature
- Maximum Suction Temperature 30°F (Liquid temperature must be higher than the lowest suction temperature)
- Capacities at other TD within a range of 8 to 15°F (4.4 to 8.3°C) are directly proportional to TD, or use formula:  
Capacity = Rated capacity ÷ 10 x TD.
- Nozzle Selections for Medium Temperature DX application are based on 34°F - 38°F liquid temperature and 25°F suction temperature at 10°F TD.

## 115/1/60: Air Defrost

Model KLV	FPI	FAN MOTORS					
		Qty.	Standard SMARTSPEED <sup>®</sup> EC Motors				
			HP	FLA Total	Watts	MCA (A)	Max. Fuse (AMPS)
106CA-S1D	7	1	1/12	1.5	35	1.9	15
109CA-S1D		1	1/12	1.5	95	1.9	15
212CA-S1D		2	1/12	3.0	70	3.4	15
217CA-S1D		2	1/12	3.0	150	3.4	15
325CA-S1D		3	1/12	4.5	225	4.9	15
331CA-S1D		3	1/12	4.5	285	4.9	15
437CA-S1D		4	1/12	6.0	300	6.4	15
441CA-S1D		4	1/12	6.0	380	6.4	15
546CA-S1D		5	1/12	7.5	475	7.9	15

## 208-230/1/60: Air Defrost

Model KLV	FPI	FAN MOTORS					
		Qty.	Standard SMARTSPEED <sup>®</sup> EC Motors				
			HP	FLA Total	Watts	MCA (A)	Max. Fuse (AMPS)
106CA-S2D	7	1	1/10	1.0	35	1.3	15
109CA-S2D		1	1/10	1.0	95	1.3	15
212CA-S2D		2	1/10	2.0	60	2.3	15
217CA-S2D		2	1/10	2.0	150	2.3	15
325CA-S2D		3	1/10	3.0	225	3.3	15
331CA-S2D		3	1/10	3.0	285	3.3	15
437CA-S2D		4	1/10	4.0	300	4.3	15
441CA-S2D		4	1/10	4.0	380	4.3	15
546CA-S2D		5	1/10	5.0	475	5.3	15

## 115/1/60: Electric Defrost Models

Model KLV	FPI	FAN MOTORS						DEFROST HEATERS			
		Qty.	Standard SMARTSPEED <sup>®</sup> EC Motors					Total WATTS	115/1/60		
			HP	FLA Total	Watts	MCA (A)	Max. Fuse (AMPS)		Total AMPS	MCA (A)	Max. Fuse (AMPS)
106CE-S1D	7	1	1/12	1.5	35	1.9	15	1880	16.4	20.4	25
109CE-S1D		1	1/12	1.5	95	1.9	15	1880	16.4	20.4	25

## 208-230/1/60 &amp; 208-230/3/60: Electric Defrost Models

Model KLV	FPI	FAN MOTORS						DEFROST HEATERS						
		Qty.	Standard SMARTSPEED <sup>®</sup> EC Motors					Total WATTS	208-230/1/60			208-230/3/60		
			HP	FLA Total	Watts	MCA (A)	Max. Fuse (AMPS)		Total AMPS	MCA (A)	Max. Fuse (AMPS)	Total AMPS	MCA (A)	Max. Fuse (AMPS)
106CE-*D	7	1	1/10	1.0	35	1.3	15	1880	8.2	10.2	15	4.9	6.1	15
109CE-*D		1	1/10	1.0	95	1.3	15	1880	8.2	10.2	15	4.9	6.1	15
212CE-*D		2	1/10	2.0	60	2.3	15	3180	13.8	17.3	20	8.5	10.6	15
217CE-*D		2	1/10	2.0	150	2.3	15	3180	13.8	17.3	20	8.5	10.6	15
325CE-*D		3	1/10	3.0	225	3.3	15	4540	19.7	24.7	25	12.1	15.1	20
331CE-*D		3	1/10	3.0	285	3.3	15	4540	19.7	24.7	25	12.1	15.1	20
437CE-*D		4	1/10	4.0	300	4.3	15	4540	19.7	24.7	25	12.1	15.1	20
441CE-*D		4	1/10	4.0	380	4.3	15	5580	24.3	30.3	35	14.9	18.6	20
546CE-*D		5	1/10	5.0	475	5.3	15	5580	24.3	30.3	35	14.9	18.6	20

\* = S2 or T3. Refer to nomenclature for details.

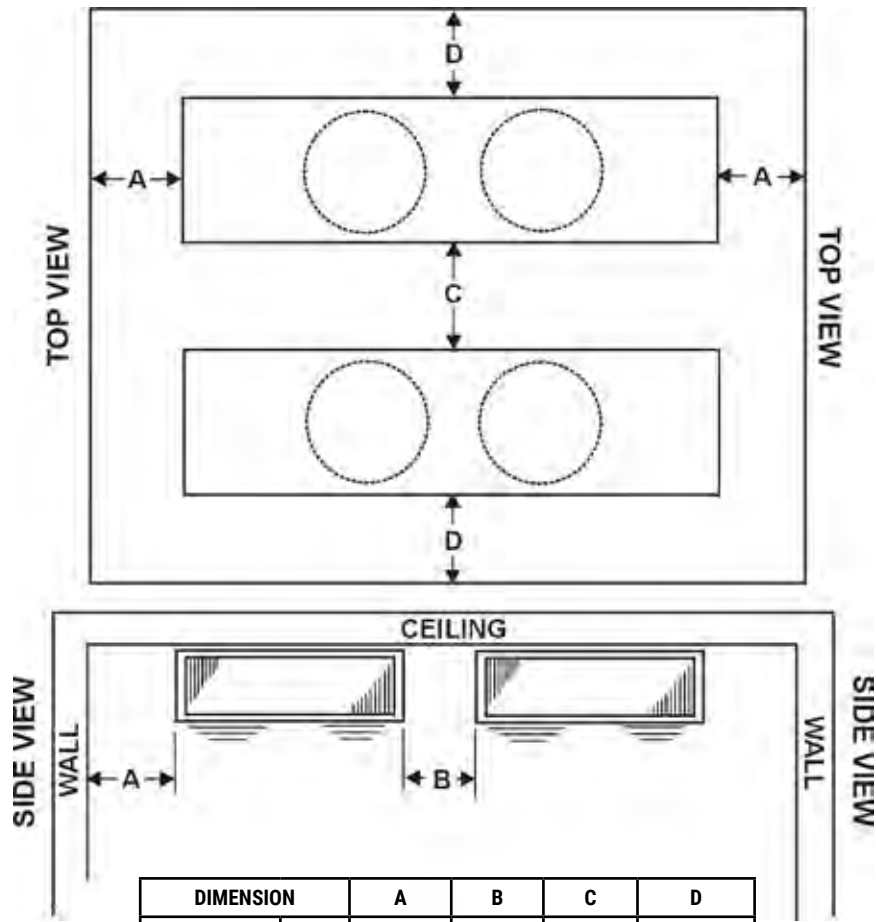


## 115/1/60: Hot Gas Defrost

Model KLV	FPI	FAN MOTORS					DRAIN PAN HEATER				
		Qty.	Standard SMARTSPEED <sup>®</sup> EC Motors					Heater Watts	Heater Amps	MCA (A)	Max. Fuse (AMPS)
			HP	FLA Total	Watts	MCA (A)	Max. Fuse (AMPS)				
106 CG	7	1	1/12	1.5	35	1.9	15	580	5.0	6.3	15
109 CG		1	1/12	1.5	95	1.9	15	580	5.0	6.3	15
212 CG		2	1/12	3.0	70	3.4	15	580	5.0	6.3	15
217 CG		2	1/12	3.0	150	3.4	15	580	5.0	6.3	15
325 CG		3	1/12	4.5	225	4.9	15	820	7.1	8.9	15
331 CG		3	1/12	4.5	285	4.9	15	820	7.1	8.9	15
437 CG		4	1/12	6.0	300	6.4	15	820	7.1	8.9	15
441 CG		4	1/12	6.0	380	6.4	15	1020	8.9	11.1	15
546 CG		5	1/12	7.5	475	7.9	15	1020	8.9	11.1	15

## 208-230/1/60: Hot Gas Defrost

Model KLV	FPI	FAN MOTORS					DRAIN PAN HEATER				
		Qty.	Standard SMARTSPEED <sup>®</sup> EC Motors					Heater Watts	Heater Amps	MCA (A)	Max. Fuse (AMPS)
			HP	FLA Total	Watts	MCA (A)	Max. Fuse (AMPS)				
106 CG	7	1	1/10	1.0	35	1.3	15	580	2.5	3.2	15
109 CG		1	1/10	1.0	95	1.3	15	580	2.5	3.2	15
212 CG		2	1/10	2.0	60	2.3	15	580	2.5	3.2	15
217 CG		2	1/10	2.0	150	2.3	15	580	2.5	3.2	15
325 CG		3	1/10	3.0	225	3.3	15	820	3.6	4.5	15
331 CG		3	1/10	3.0	285	3.3	15	820	3.6	4.5	15
437 CG		4	1/10	4.0	300	4.3	15	820	3.6	4.5	15
441 CG		4	1/10	4.0	380	4.3	15	1020	4.4	5.5	15
546 CG		5	1/10	5.0	475	5.3	15	1020	4.4	5.5	15

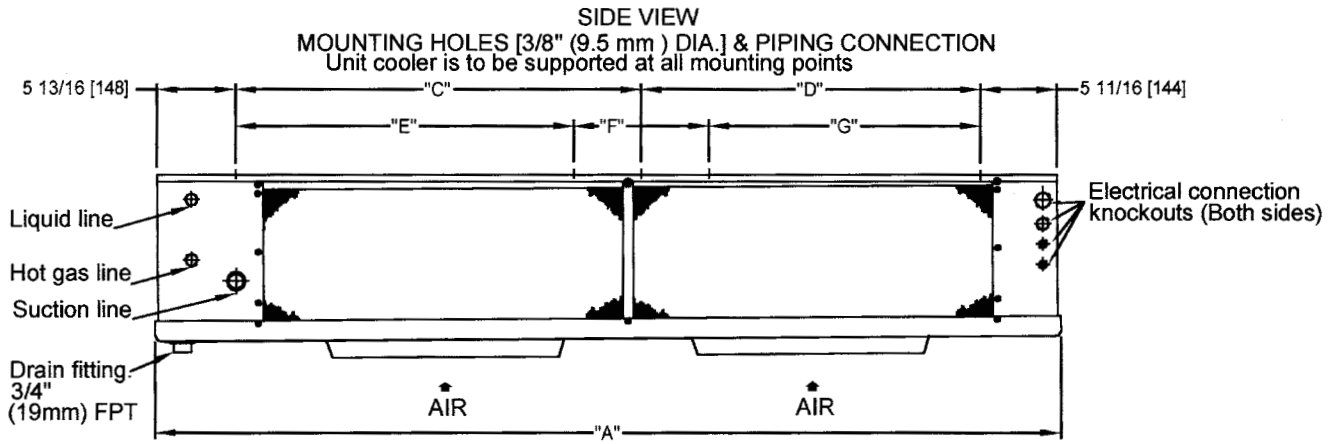
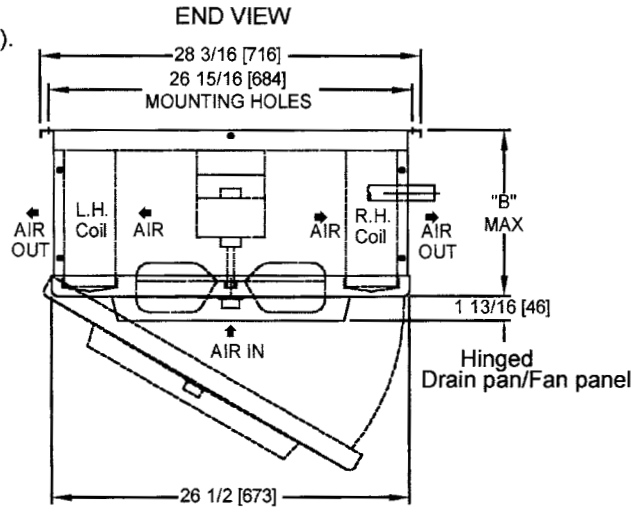


DIMENSION		A	B	C	D
Minimum	ft.	2	2	6	3
	cm.	61	61	183	92
Maximum	ft.	-	7	40	20
	cm.	-	210	1200	600

**DIMENSIONAL DATA**

**KLV - LOW VELOCITY CO<sub>2</sub> EVAPORATORS**

- NOTES: 1) Dimensions shown in inches & (mm). These are typical for Air, Electric and Hot gas defrost models.  
 2) Electrical connection end is opposite to the piping end on all models.  
 3) 1/4" (6 mm) O.D. external equalizer line and service access fitting included on all suction headers inside end compartment



MODEL KLV	NO. OF FANS	A		B		C		D		E		F		G	
		In.	mm	In.	mm	In.	mm	In.	mm	In.	mm	In.	mm	In.	mm
106	1	66 7/8	1699	8 11/16	221	27 1/2	699	27 1/2	699	-	-	-	-	-	-
109		66 7/8	1699	9 9/16	243	27 1/2	699	27 1/2	699	-	-	-	-	-	-
212	2	66 7/8	1699	12 7/16	316	27 1/2	699	27 1/2	699	-	-	-	-	-	-
217		66 7/8	1699	14 15/16	379	27 1/2	699	27 1/2	699	-	-	-	-	-	-
325	3	92 7/8	2359	14 15/16	379	40 1/2	1029	40 1/2	1029	-	-	-	-	-	-
331		92 7/8	2359	17 7/16	443	40 1/2	1029	40 1/2	1029	-	-	-	-	-	-
437	4	92 7/8	2359	17 7/16	443	40 1/2	1029	40 1/2	1029	-	-	-	-	-	-
441		112 7/8	2867	17 7/16	443	-	-	-	-	40 1/2	1029	20	508	40 1/2	1029
546	5	112 7/8	2867	17 7/16	443	-	-	-	-	40 1/2	1029	20	508	40 1/2	1029

# SPECIFICATIONS

# KLV - LOW VELOCITY CO<sub>2</sub> EVAPORATORS

MODEL KLV	NO. OF FANS	TUBE CONNECTIONS						SHIPPING WEIGHT	
		SUCTION (OD)		DISTRIBUTOR INLET		HOT GAS SIDE		lbs.	kg
		Inches	mm	Inches	mm	Inches	mm		
106	1	1/2	13	3/8	10	1/2	13	90	41
109		1/2	13	3/8	10	1/2	13	105	48
212	2	1/2	13	3/8	10	1/2	13	139	63
217		1/2	13	3/8	10	1/2	13	158	72
325	3	1/2	13	3/8	10	1/2	13	235	107
331		1/2	13	3/8	10	5/8	16	257	117
437	4	1/2	13	3/8	10	5/8	16	270	122
441		1/2	13	3/8	10	5/8	16	280	127
546	5	1/2	13	3/8	10	5/8	16	290	132

## FACTORY INSTALLED DISTRIBUTOR NOZZLE

Model KLV	FACTORY INSTALLED NOZZLE
106	N/A
109	N/A
212	L 1/4
217	L 1/4
325	L 1/3
331	L 1/3
437	L 1/3
441	L 1/2
546	L 1/2

- Capacities are rated based on nominal 10°F TD, 34°F - 38°F liquid temperature
- Maximum Suction Temperature 30°F (Liquid temperature must be higher than the lowest suction temperature)
- Capacities at other TD within a range of 8 to 15°F (4.4 to 8.3°C) are directly proportional to TD, or use formula:  
Capacity = Rated capacity ÷ 10 x TD.

## AWEF RATINGS

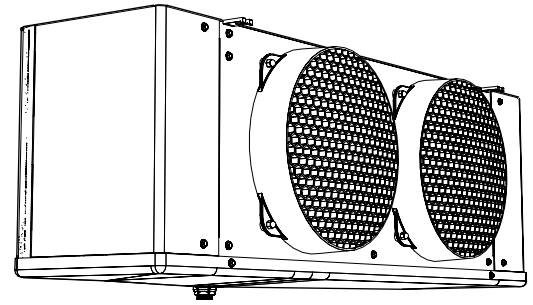
### Annual Walk-In Energy Factor Ratings

If a numerical value is listed in the table below, the following statement applies to that corresponding model: " This refrigeration system is designed and certified for use in walk-in cooler applications."

Model KLV	CO <sub>2</sub>
106C	9.00
109C	9.00
212C	9.00
217C	9.00
325C	9.00
331C	9.00
437C	9.00
441C	9.00
546C	9.00

# KLP Low Profile

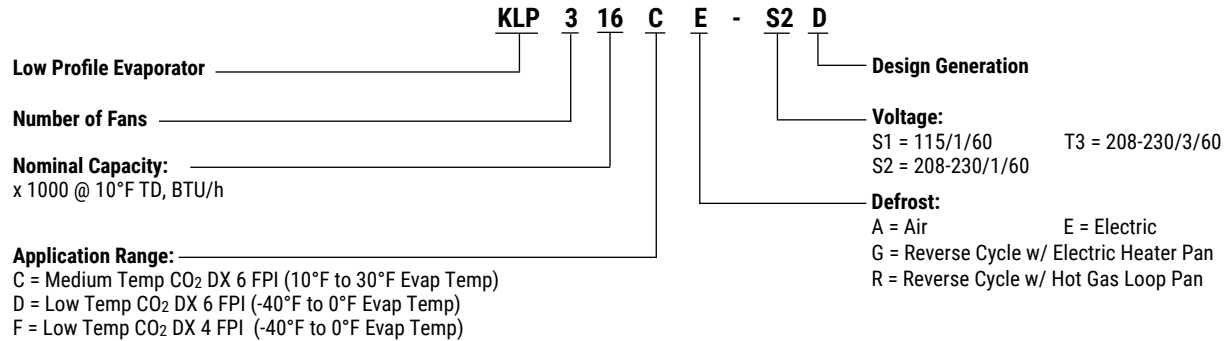
**PRODUCT SUPPORT**  
 web: [www.k-rp.com/klp](http://www.k-rp.com/klp)  
 email: [evaps@k-rp.com](mailto:evaps@k-rp.com)  
 call: 1-844-893-3222 x520



Walk-in storage space is optimized by the compact, slim profile.

Provides uniform air distribution through the coil for maximum heat transfer performance. Our most popular evaporator!

## NOMENCLATURE



## STANDARD FEATURES

- Constructed with Internally Enhanced Tubing
- EC motors with patented SmartSpeed® Technology
- Factory pressure tested to 650 PSI
- High Strength Polyethylene Plastic Fan Guard
- Front Access motor mounts
- Convenient Hanging Mounting Brackets
- Convenient Service Schrader valve on suction header
- Hinged Drain Pan
- 3/4" Condensate line connection fitting
- Factory Installed distributor nozzle on units with multiple feeds
- Factory pressure tested to 650 PSIG

**SMARTSPEED™**  
FAN MOTOR TECHNOLOGY

**STANDARD ON ALL MODELS**

## AVAILABLE OPTIONS

- Transducer Schrader with Service Isolation Valve
- Wire Fan Guards
- Alternate Fin Material
- Electronic expansion valve (EEV)
- Transducer for EEV
- Insulated drain pan
- Additional options available, please contact factory

# SELECTION DATA

# KLP - LOW PROFILE CO<sub>2</sub> EVAPORATORS

## Medium Temperature - 6 FPI Models

Model KLP	Qty. Fans	Evaporator Temperature Selection Capacity BTU/h			Air Flow		Refrig. Charge	
		20/25°F (-4/-7°C)	15°F (-9°C)	10°F (-12°C)	CFM	L/S	LB.	KG
104C	1	4200	4160	4120	750	350	0.6	0.3
106C		5770	5710	5650	705	330	1.0	0.4
107C		6830	6760	6690	680	320	1.3	0.6
209C	2	8500	8420	8330	1500	710	1.1	0.5
211C		11100	10990	10880	1410	670	1.2	0.6
214C		13300	13200	13030	1360	640	1.7	0.8
317C	3	16600	16400	16270	2115	1000	2.7	1.2
320C		19800	19600	19400	2040	960	3.5	1.6
422C	4	21800	21600	21360	2820	1330	2.9	1.3
427C		26400	26100	25870	2720	1280	3.4	1.6
534C		32900	32600	32240	3400	1600	5.7	2.6
640C	6	39400	39000	38610	4080	1930	6.8	3.1

- Capacities are rated based on nominal 10°F TD, 34°F - 38°F liquid temperature  
 - Maximum Suction Temperature 30°F (Liquid temperature must be higher than the lowest suction temperature)  
 - Capacities at other TD within a range of 8 to 15°F (4.4 to 8.3°C) are directly proportional to TD, or use formula:  
 Capacity = Rated capacity ÷ 10 x TD.

## Low Temperature - 6 FPI Models

Model KLP	Qty. Fans	Evaporator Temperature Selection Capacity BTU/h					Air Flow		Refrig. Charge	
		0°F (-18°C)	-10°F (-23°C)	-20°F (-29°C)	-30°F (-34°C)	-40°F (-40°C)	CFM	L/S	LB.	KG
104D	1	4210	4090	3970	3650	3370	750	350	0.6	0.3
105D		5070	4920	4780	4400	4060	705	330	1.0	0.4
106D		6540	6360	6170	5680	5240	680	320	1.3	0.6
207D	2	7400	7190	6980	6420	5930	1500	710	1.1	0.5
209D		9710	9430	9160	8430	7790	1410	670	1.2	0.6
211D		11660	11330	11000	10120	9350	1360	640	1.7	0.8
314D	3	14420	14000	13600	12500	11560	2115	1000	2.7	1.2
316D		16750	16300	15800	14500	13430	2040	960	3.5	1.6
418D	4	18970	18400	17900	16500	15220	2820	1330	2.9	1.3
421D		21840	21200	20600	19000	17510	2720	1280	3.4	1.6
526D	5	27140	26400	25600	23600	21760	3400	1600	5.7	2.6
631D	6	32220	31300	30400	28000	25840	4080	1930	6.8	3.1

- Capacities are rated based on nominal 10°F TD, 34°F - 38°F liquid temperature  
 - Capacities at other TD within a range of 8 to 15°F (4.4 to 8.3°C) are directly proportional to TD, or use formula:  
 Capacity = Rated capacity ÷ 10 x TD.

## Low Temperature - 4 FPI Models

Model KLP	Qty. Fans	Evaporator Temperature Selection Capacity BTU/h					Air Flow		Refrig. Charge	
		0°F (-18°C)	-10°F (-23°C)	-20°F (-29°C)	-30°F (-34°C)	-40°F (-40°C)	CFM	L/S	LB.	KG
103F	1	3640	3530	3430	3160	2920	750	350	0.6	0.3
104F		4300	4180	4060	3740	3450	705	330	1.0	0.4
106F		5500	5350	5190	4770	4410	680	320	1.3	0.6
207F	2	6600	6420	6230	5730	5300	1500	710	1.1	0.5
208F		8020	7800	7570	6960	6430	1410	670	1.2	0.6
211F		10460	10170	9870	9080	8390	1360	640	1.7	0.8
313F	3	12400	12100	11700	10760	9950	2115	1000	2.7	1.2
316F		15370	14900	14500	13300	12330	2040	960	3.5	1.6
418F	4	17600	17100	16600	15300	14110	2820	1330	2.9	1.3
421F		20880	20300	19700	18100	16750	2720	1280	3.4	1.6
524F	5	23640	23000	22300	20500	18960	3400	1600	5.7	2.6
627F	6	26610	25900	25100	23100	21340	4080	1930	6.8	3.1

- Capacities are rated based on nominal 10°F TD, 34°F - 38°F liquid temperature  
 - Capacities at other TD within a range of 8 to 15°F (4.4 to 8.3°C) are directly proportional to TD, or use formula:  
 Capacity = Rated capacity ÷ 10 x TD.

## 115/1/60: Air Defrost &amp; Hot Gas Defrost with Hot Gas Loop Pan Models

Model KLP	FPI	FAN MOTORS					
		Qty.	Standard SMARTSPEED <sup>®</sup> EC Motors				
			HP	FLA Total	Watts	MCA (A)	Max. Fuse (AMPS)
104CA-S1A	6	1	1/15	1.0	60	1.3	15
106CA-S1A		1	1/15	1.0	60	1.3	15
107CA-S1A		1	1/15	1.0	60	1.3	15
209C#-S1A		2	1/15	2.0	120	2.3	15
211C#-S1A		2	1/15	2.0	120	2.3	15
214C#-S1A		2	1/15	2.0	120	2.3	15
317C#-S1A		3	1/15	3.0	180	3.3	15
320C#-S1A		3	1/15	3.0	180	3.3	15
422C#-S1A		4	1/15	4.0	240	4.3	15
427C#-S1A		4	1/15	4.0	240	4.3	15
534C#-S1A		5	1/15	5.0	300	5.3	15
640C#-S1A		6	1/15	6.0	360	6.3	15
104DR-S1A	6	1	1/15	1.0	60	1.3	15
105DR-S1A		1	1/15	1.0	60	1.3	15
106DR-S1A		1	1/15	1.0	60	1.3	15
207DR-S1A		2	1/15	2.0	120	2.3	15
209DR-S1A		2	1/15	2.0	120	2.3	15
211DR-S1A		2	1/15	2.0	120	2.3	15
314DR-S1A		3	1/15	3.0	180	3.3	15
316DR-S1A		3	1/15	3.0	180	3.3	15
418DR-S1A		4	1/15	4.0	240	4.3	15
421DR-S1A		4	1/15	4.0	240	4.3	15
526DR-S1A		5	1/15	5.0	300	5.3	15
631DR-S1A		6	1/15	6.0	360	6.3	15
103FR-S1A	4	1	1/15	1.0	60	1.3	15
104FR-S1A		1	1/15	1.0	60	1.3	15
106FR-S1A		1	1/15	1.0	60	1.3	15
207FR-S1A		2	1/15	2.0	120	2.3	15
208FR-S1A		2	1/15	2.0	120	2.3	15
211FR-S1A		2	1/15	2.0	120	2.3	15
313FR-S1A		3	1/15	3.0	180	3.3	15
316FR-S1A		3	1/15	3.0	180	3.3	15
418FR-S1A		4	1/15	4.0	240	4.3	15
421FR-S1A		4	1/15	4.0	240	4.3	15
524FR-S1A		5	1/15	5.0	300	5.3	15
627FR-S1A		6	1/15	6.0	360	6.3	15

# = A or R. Refer to nomenclature for details.

**208-230/1/60: Air Defrost & Hot Gas Defrost with Hot Gas Loop Pan Models**

Model KLP	FPI	FAN MOTORS					
		Qty.	Standard SMARTSPEED <sup>®</sup> EC Motors				
			HP	FLA Total	Watts	MCA (A)	Max. Fuse (AMPS)
104CD-S2D	6	1	1/15	0.6	60	0.8	15
106CD-S2D		1	1/15	0.6	60	0.8	15
107CD-S2D		1	1/15	0.6	60	0.8	15
209C#-S2D		2	1/15	1.2	120	1.4	15
211C#-S2D		2	1/15	1.2	120	1.4	15
214C#-S2D		2	1/15	1.2	120	1.4	15
317C#-S2D		3	1/15	1.8	180	2.0	15
320C#-S2D		3	1/15	1.8	180	2.0	15
422C#-S2D		4	1/15	2.4	240	2.6	15
427C#-S2D		4	1/15	2.4	240	2.6	15
534C#-S2D		5	1/15	3.0	300	3.2	15
640C#-S2D		6	1/15	3.6	360	3.8	15
104DR-S2D	6	1	1/15	0.6	60	0.8	15
105DR-S2D		1	1/15	0.6	60	0.8	15
106DR-S2D		1	1/15	0.6	60	0.8	15
207DR-S2D		2	1/15	1.2	120	1.4	15
209DR-S2D		2	1/15	1.2	120	1.4	15
211DR-S2D		2	1/15	1.2	120	1.4	15
314DR-S2D		3	1/15	1.8	180	2.0	15
316DR-S2D		3	1/15	1.8	180	2.0	15
418DR-S2D		4	1/15	2.4	240	2.6	15
421DR-S2D		4	1/15	2.4	240	2.6	15
526DR-S2D		5	1/15	3.0	300	3.2	15
631DR-S2D		6	1/15	3.6	360	3.8	15
103FR-S2D	4	1	1/15	0.6	60	0.8	15
104FR-S2D		1	1/15	0.6	60	0.8	15
106FR-S2D		1	1/15	0.6	60	0.8	15
207FR-S2D		2	1/15	1.2	120	1.4	15
208FR-S2D		2	1/15	1.2	120	1.4	15
211FR-S2D		2	1/15	1.2	120	1.4	15
313FR-S2D		3	1/15	1.8	180	2.0	15
316FR-S2D		3	1/15	1.8	180	2.0	15
418FR-S2D		4	1/15	2.4	240	2.6	15
421FR-S2D		4	1/15	2.4	240	2.6	15
524FR-S2D		5	1/15	3.0	300	3.2	15
627FR-S2D		6	1/15	3.6	360	3.8	15

# = A or R. Refer to nomenclature for details.



**208-230/1/60 & 208-230/3/60: Electric Defrost Models**

Model KLP	FPI	FAN MOTORS						DEFROST HEATERS						
		Qty.	Standard SMARTSPEED <sup>®</sup> EC Motors					Total WATTS	208-230/1/60			208-230/3/60		
			HP	FLA Total	Watts	MCA (A)	Max. Fuse (AMPS)		Total AMPS	MCA (A)	Max. Fuse (AMPS)	Total AMPS	MCA (A)	Max. Fuse (AMPS)
104CE-*	6	1	1/15	0.6	60	0.8	15	1060	4.6	5.8	15	3.0	3.8	15
106CE-*		1	1/15	0.6	60	0.8	15	1060	4.6	5.8	15	3.0	3.8	15
107CE-*		1	1/15	0.6	60	0.8	15	1060	4.6	5.8	15	3.0	3.8	15
209CE-*		2	1/15	1.2	120	1.4	15	1890	8.2	10.3	15	5.3	6.7	15
211CE-*		2	1/15	1.2	120	1.4	15	1890	8.2	10.3	15	5.3	6.7	15
214CE-*		2	1/15	1.2	120	1.4	15	1890	8.2	10.3	15	5.3	6.7	15
317CE-*		3	1/15	1.8	180	2.0	15	2730	11.9	14.8	15	7.7	10.0	15
320CE-*		3	1/15	1.8	180	2.0	15	2730	11.9	14.8	15	7.7	10.0	15
422CE-*		4	1/15	2.4	240	2.6	15	3560	15.5	19.3	20	10.0	12.0	15
427CE-*		4	1/15	2.4	240	2.6	15	3560	15.5	19.3	20	10.0	12.0	15
534CE-*		5	1/15	3.0	300	3.2	15	4400	19.1	23.9	25	12.0	15.0	20
640CE-*		6	1/15	3.6	360	3.8	15	5230	22.7	28.4	30	15.0	18.0	20
104DE-*	6	1	1/15	0.6	60	0.8	15	1060	4.6	5.8	15	3.0	3.8	15
105DE-*		1	1/15	0.6	60	0.8	15	1060	4.6	5.8	15	3.0	3.8	15
106DE-*		1	1/15	0.6	60	0.8	15	1060	4.6	5.8	15	3.0	3.8	15
207DE-*		2	1/15	1.2	120	1.4	15	1890	8.2	10.3	15	5.3	6.7	15
209DE-*		2	1/15	1.2	120	1.4	15	1890	8.2	10.3	15	5.3	6.7	15
211DE-*		2	1/15	1.2	120	1.4	15	1890	8.2	10.3	15	5.3	6.7	15
314DE-*		3	1/15	1.8	180	2.0	15	2730	11.9	14.8	15	7.7	10.0	15
316DE-*		3	1/15	1.8	180	2.0	15	2730	11.9	14.8	15	7.7	10.0	15
418DE-*		4	1/15	2.4	240	2.6	15	3560	15.5	19.3	20	10.0	12.0	15
421DE-*		4	1/15	2.4	240	2.6	15	3560	15.5	19.3	20	10.0	12.0	15
526DE-*		5	1/15	3.0	300	3.2	15	4400	19.1	23.9	25	12.0	15.0	20
631DE-*		6	1/15	3.6	360	3.8	15	5230	22.7	28.4	30	15.0	18.0	20
103FE-*	4	1	1/15	0.6	60	0.8	15	1060	4.6	5.8	15	3.0	3.8	15
104FE-*		1	1/15	0.6	60	0.8	15	1060	4.6	5.8	15	3.0	3.8	15
106FE-*		1	1/15	0.6	60	0.8	15	1060	4.6	5.8	15	3.0	3.8	15
207FE-*		2	1/15	1.2	120	1.4	15	1890	8.2	10.3	15	5.3	6.7	15
208FE-*		2	1/15	1.2	120	1.4	15	1890	8.2	10.3	15	5.3	6.7	15
211FE-*		2	1/15	1.2	120	1.4	15	1890	8.2	10.3	15	5.3	6.7	15
313FE-*		3	1/15	1.8	180	2.0	15	2730	11.9	14.8	15	7.7	10.0	15
316FE-*		3	1/15	1.8	180	2.0	15	2730	11.9	14.8	15	7.7	10.0	15
418FE-*		4	1/15	2.4	240	2.6	15	3560	15.5	19.3	20	10.0	12.0	15
421FE-*		4	1/15	2.4	240	2.6	15	3560	15.5	19.3	20	10.0	12.0	15
524FE-*		5	1/15	3.0	300	3.2	15	4400	19.1	23.9	25	12.0	15.0	20
627FE-*		6	1/15	3.6	360	3.8	15	5230	22.7	28.4	30	15.0	18.0	20

\* = S2D or T3D. Refer to nomenclature for details.

115/1/60: Hot Gas Defrost with Drain Pan Heater Models

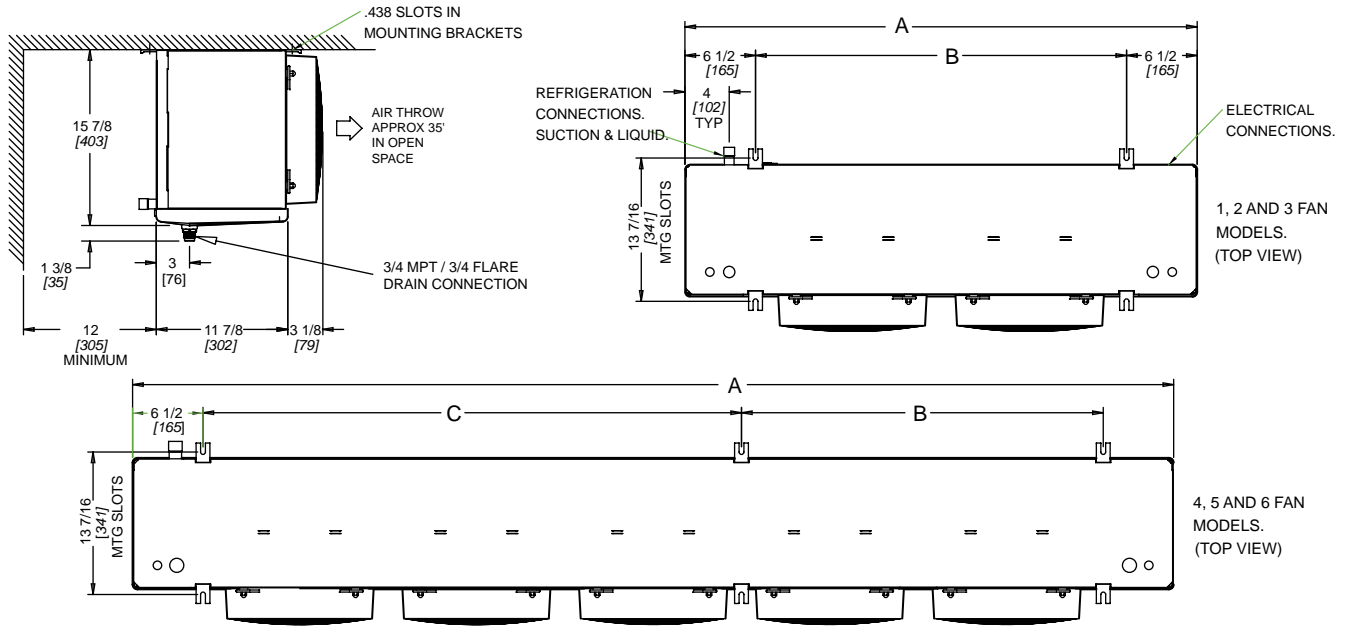
Model KLP	FPI	FAN MOTORS						DRAIN PAN HEATERS			
		Qty.	Standard SMARTSPEED EC Motors					Total WATTS	Total AMPS	MCA (A)	Max. Fuse (AMPS)
			HP	FLA Total	Watts	MCA (A)	Max. Fuse (AMPS)				
209CG-S1D	6	2	1/15	1.2	120	1.4	15	410	3.6	4.5	15
211CG-S1D		2	1/15	1.2	120	1.4	15	410	3.6	4.5	15
214CG-S1D		2	1/15	1.2	120	1.4	15	410	3.6	4.5	15
317CG-S1D		3	1/15	1.8	180	2.0	15	560	4.9	6.1	15
320CG-S1D		3	1/15	1.8	180	2.0	15	560	4.9	6.1	15
422CG-S1D		4	1/15	2.4	240	2.6	15	720	6.3	7.8	15
427CG-S1D		4	1/15	2.4	240	2.6	15	720	6.3	7.8	15
534CG-S1D		5	1/15	3.0	300	3.2	15	880	7.7	9.6	15
640CG-S1D		6	1/15	3.6	360	3.8	15	1030	9.0	11.2	15
207DG-S1D		6	2	1/15	1.2	120	1.4	15	410	3.6	4.5
209DG-S1D	2		1/15	1.2	120	1.4	15	410	3.6	4.5	15
211DG-S1D	2		1/15	1.2	120	1.4	15	410	3.6	4.5	15
314DG-S1D	3		1/15	1.8	180	2.0	15	560	4.9	6.1	15
316DG-S1D	3		1/15	1.8	180	2.0	15	560	4.9	6.1	15
418DG-S1D	4		1/15	2.4	240	2.6	15	720	6.3	7.8	15
421DG-S1D	4		1/15	2.4	240	2.6	15	720	6.3	7.8	15
526DG-S1D	5		1/15	3.0	300	3.2	15	880	7.7	9.6	15
631DG-S1D	6		1/15	3.6	360	3.8	15	1030	9.0	11.2	15
207FG-S1D	4		2	1/15	1.2	120	1.4	15	410	3.6	4.5
208FG-S1D		2	1/15	1.2	120	1.4	15	410	3.6	4.5	15
211FG-S1D		2	1/15	1.2	120	1.4	15	410	3.6	4.5	15
313FG-S1D		3	1/15	1.8	180	2.0	15	560	4.9	6.1	15
316FG-S1D		3	1/15	1.8	180	2.0	15	560	4.9	6.1	15
418FG-S1D		4	1/15	2.4	240	2.6	15	720	6.3	7.8	15
421FG-S1D		4	1/15	2.4	240	2.6	15	720	6.3	7.8	15
524FG-S1D		5	1/15	3.0	300	3.2	15	880	7.7	9.6	15
627FG-S1D		6	1/15	3.6	360	3.8	15	1030	9.0	11.2	15

## 208-230/1/60: Hot Gas Defrost with Drain Pan Heater Models

Model KLP	FPI	FAN MOTORS						DRAIN PAN HEATERS			
		Qty.	Standard SMARTSPEED <sup>®</sup> EC Motors					Total WATTS	Total AMPS	MCA (A)	Max. Fuse (AMPS)
			HP	FLA Total	Watts	MCA (A)	Max. Fuse (AMPS)				
209CG-S2D	6	2	1/15	1.2	120	1.4	15	410	1.8	2.2	15
211CG-S2D		2	1/15	1.2	120	1.4	15	410	1.8	2.2	15
214CG-S2D		2	1/15	1.2	120	1.4	15	410	1.8	2.2	15
317CG-S2D		3	1/15	1.8	180	2.0	15	560	2.4	3.0	15
320CG-S2D		3	1/15	1.8	180	2.0	15	560	2.4	3.0	15
422CG-S2D		4	1/15	2.4	240	2.6	15	720	3.1	3.9	15
427CG-S2D		4	1/15	2.4	240	2.6	15	720	3.1	3.9	15
534CG-S2D		5	1/15	3.0	300	3.2	15	880	3.8	4.8	15
640CG-S2D		6	1/15	3.6	360	3.8	15	1030	4.0	5.0	15
207DG-S2D		6	2	1/15	1.2	120	1.4	15	410	1.8	2.2
209DG-S2D	2		1/15	1.2	120	1.4	15	410	1.8	2.2	15
211DG-S2D	2		1/15	1.2	120	1.4	15	410	1.8	2.2	15
314DG-S2D	3		1/15	1.8	180	2.0	15	560	2.4	3.0	15
316DG-S2D	3		1/15	1.8	180	2.0	15	560	2.4	3.0	15
418DG-S2D	4		1/15	2.4	240	2.6	15	720	3.1	3.9	15
421DG-S2D	4		1/15	2.4	240	2.6	15	720	3.1	3.9	15
526DG-S2D	5		1/15	3.0	300	3.2	15	880	3.8	4.8	15
631DG-S2D	6		1/15	3.6	360	3.8	15	1030	4.0	5.0	15
207FG-S2D	4		2	1/15	1.2	120	1.4	15	410	1.8	2.2
208FG-S2D		2	1/15	1.2	120	1.4	15	410	1.8	2.2	15
211FG-S2D		2	1/15	1.2	120	1.4	15	410	1.8	2.2	15
313FG-S2D		3	1/15	1.8	180	2.0	15	560	2.4	3.0	15
316FG-S2D		3	1/15	1.8	180	2.0	15	560	2.4	3.0	15
418FG-S2D		4	1/15	2.4	240	2.6	15	720	3.1	3.9	15
421FG-S2D		4	1/15	2.4	240	2.6	15	720	3.1	3.9	15
524FG-S2D		5	1/15	3.0	300	3.2	15	880	3.8	4.8	15
627FG-S2D		6	1/15	3.6	360	3.8	15	1030	4.0	5.0	15

# DIMENSIONAL DATA / SPECIFICATIONS

# KLP - LOW PROFILE CO<sub>2</sub> EVAPORATORS



MODEL KLP	NO. OF FANS	A		B		C		OUTLET CONNECTION	INLET CONNECTION	HOT GAS SIDE PORT	DRAIN PAN LOOP
		IN	mm	IN	mm	IN	mm				
104C <sup>^</sup>	1	30 1/4	768	17 1/4	438	N/A	N/A	3/8	3/8	N/A	N/A
106C <sup>^</sup>		30 1/4	768	17 1/4	438	N/A	N/A	3/8	3/8	N/A	N/A
107C <sup>^</sup>		30 1/4	768	17 1/4	438	N/A	N/A	3/8	3/8	N/A	N/A
209C#	2	46 1/4	1175	33 1/4	845	N/A	N/A	3/8	3/8	1/2	1/2
211C#		46 1/4	1175	33 1/4	845	N/A	N/A	3/8	3/8	1/2	1/2
214C#		46 1/4	1175	33 1/4	845	N/A	N/A	3/8	3/8	1/2	1/2
317C#	3	62 1/4	1581	49 1/4	1251	N/A	N/A	3/8	3/8	1/2	1/2
320C#		62 1/4	1581	49 1/4	1251	N/A	N/A	3/8	3/8	1/2	1/2
422C#	4	78 1/4	1988	32 5/8	829	32 5/8	829	1/2	1/2	1/2	1/2
427C#		78 1/4	1988	32 5/8	829	32 5/8	829	1/2	1/2	1/2	1/2
534C#	5	94 1/4	2394	32 5/8	829	48 5/8	1235	1/2	1/2	1/2	1/2
640C#	6	110 1/4	2800	48 5/8	1235	48 5/8	1235	1/2	1/2	1/2	1/2
104D <sup>^</sup>	1	30 1/4	768	17 1/4	438	N/A	N/A	3/8	3/8	1/2	1/2
105D <sup>^</sup>		30 1/4	768	17 1/4	438	N/A	N/A	3/8	3/8	1/2	1/2
106D <sup>^</sup>		30 1/4	768	17 1/4	438	N/A	N/A	3/8	3/8	1/2	1/2
207D#	2	46 1/4	1175	33 1/4	845	N/A	N/A	1/2	1/2	1/2	1/2
209D#		46 1/4	1175	33 1/4	845	N/A	N/A	1/2	1/2	1/2	1/2
211D#		46 1/4	1175	33 1/4	845	N/A	N/A	1/2	1/2	1/2	1/2
314D#	3	62 1/4	1581	49 1/4	1251	N/A	N/A	1/2	1/2	1/2	1/2
316D#		62 1/4	1581	49 1/4	1251	N/A	N/A	1/2	1/2	1/2	1/2
418D#	4	78 1/4	1988	32 5/8	829	32 5/8	829	1/2	1/2	1/2	1/2
421D#		78 1/4	1988	32 5/8	829	32 5/8	829	1/2	1/2	1/2	1/2
526D#	5	94 1/4	2394	32 5/8	829	48 5/8	1235	1/2	1/2	1/2	1/2
631D#	6	110 1/4	2800	48 5/8	1235	48 5/8	1235	1/2	1/2	1/2	1/2
103F <sup>^</sup>	1	30 1/4	768	17 1/4	438	N/A	N/A	3/8	3/8	1/2	1/2
104F <sup>^</sup>		30 1/4	768	17 1/4	438	N/A	N/A	3/8	3/8	1/2	1/2
106F <sup>^</sup>		30 1/4	768	17 1/4	438	N/A	N/A	3/8	3/8	1/2	1/2
207F#	2	46 1/4	1175	33 1/4	845	N/A	N/A	1/2	1/2	1/2	1/2
208F#		46 1/4	1175	33 1/4	845	N/A	N/A	1/2	1/2	1/2	1/2
211F#		46 1/4	1175	33 1/4	845	N/A	N/A	1/2	1/2	1/2	1/2
313F#	3	62 1/4	1581	49 1/4	1251	N/A	N/A	1/2	1/2	1/2	1/2
316F#		62 1/4	1581	49 1/4	1251	N/A	N/A	1/2	1/2	1/2	1/2
418F#	4	78 1/4	1988	32 5/8	829	32 5/8	829	1/2	1/2	1/2	1/2
421F#		78 1/4	1988	32 5/8	829	32 5/8	829	1/2	1/2	1/2	1/2
524F#	5	94 1/4	2394	32 5/8	829	48 5/8	1235	1/2	1/2	1/2	1/2
627F#	6	110 1/4	2800	48 5/8	1235	48 5/8	1235	1/2	1/2	1/2	1/2

# = A, E, G, or R. ^ = A or E. Refer to Nomenclature for details

**Air Defrost and Hot Gas Defrost with Drain Pan Heater Models**

MODEL NUMBER KLP			SHIPPING WEIGHT	
			LB.	kg
104CA	N/A	N/A	45	20
106CA			47	21
107CA			49	22
209CA	207DG	207DT	70	32
211CA	209DG	209DT	74	33
214CA	211DG	211DT	78	35
317CA	314DG	314DT	101	46
320CA	316DG	316DT	107	48
422CA	418DG	418DT	117	53
427CA	421DG	421DT	135	61
534CA	526DG	526DT	163	74
640CA	631DG	631DT	192	87

**Electric Defrost Models**

MODEL NUMBER KLP			SHIPPING WEIGHT	
			LB.	kg
104CE	104DE	103FE	49	22
106CE	105DE	104FE	51	23
107CE	106DE	106FE	53	24
209CE	207DE	207FE	76	35
211CE	209DE	208FE	80	36
214CE	211DE	211FE	84	38
317CE	314DE	313FE	109	49
320CE	316DE	316FE	115	52
422CE	418DE	418FE	127	58
427CE	421DE	421FE	145	66
534CE	526DE	524FE	176	80
640CE	631DE	627FE	207	94

**Hot Gas Defrost with Drain Pan Loop Models**

MODEL NUMBER KLP				SHIPPING WEIGHT	
				LB.	kg
209CR	207DR	207FH	207FR	87	39
211CR	209DR	208FH	208FR	91	41
214CR	211DR	211FH	211FR	95	43
317CR	314DR	313FH	313FR	124	56
320CR	316DR	316FH	316FR	130	59
422CR	418DR	418FH	418FR	145	66
427CR	421DR	421FH	421FR	163	74
534CR	526DR	524FH	524FR	198	90
640CR	631DR	627FH	627FR	233	106

**Medium Temperature - 6 FPI Models**

Model KLP	CO <sub>2</sub>
104C	N/A
106C	N/A
107C	N/A
209C	N/A
211C	N/A
214C	N/A
317C	L 1/4
320C	L 1/4
422C	L 1/3
427C	L 1/3
534C	L 1/2
640C	L 1/2

- Capacities are rated based on nominal 10°F TD, 34°F - 38°F liquid temperature
- Maximum Suction Temperature 30°F (Liquid temperature must be higher than the lowest suction temperature)
- Capacities at other TD within a range of 8 to 15°F (4.4 to 8.3°C) are directly proportional to TD, or use formula:  
Capacity = Rated capacity ÷ 10 x TD.
- Nozzle Selections for Medium Temperature DX application are based on 34°F - 38°F liquid temperature and 25°F suction temperature at 10°F TD.

**Low Temperature - 6 FPI Models**

Model KLP	CO <sub>2</sub>
104D	N/A
105D	N/A
106D	N/A
207D	N/A
209D	L 1/4
211D	L 1/4
314D	L 1/3
316D	L 1/2
418D	L 1/2
421D	L 3/4
526D	L 3/4
631D	L 3/4

- Capacities are rated based on nominal 10°F TD, 34°F - 38°F liquid temperature
- Capacities at other TD within a range of 8 to 15°F (4.4 to 8.3°C) are directly proportional to TD, or use formula:  
Capacity = Rated capacity ÷ 10 x TD.
- Nozzle Selections for Low Temperature DX application are based on 34°F - 38°F liquid temperature and -20°F suction temperature at 10°F TD.

**Low Temperature - 4 FPI Models**

Model KLP	CO <sub>2</sub>
103F	N/A
104F	N/A
106F	N/A
207F	N/A
208F	L 1/4
211F	L 1/4
313F	L 1/3
316F	L 1/2
418F	L 1/2
421F	L 3/4
524F	L 3/4
627F	L 3/4

- Capacities are rated based on nominal 10°F TD, 34°F - 38°F liquid temperature
- Capacities at other TD within a range of 8 to 15°F (4.4 to 8.3°C) are directly proportional to TD, or use formula:  
Capacity = Rated capacity ÷ 10 x TD.
- Nozzle Selections for Low Temperature DX application are based on 34°F - 38°F liquid temperature and -20°F suction temperature at 10°F TD.

<b>If correct nozzle is not available, the proper orifice size can be drilled in the field using the following data:</b>	
NOZZLE ORIFICE No.	DRILL SIZE
	IN.
1/4	.054
1/2	.070
3/4	.086

**Annual Walk-In Energy Factor Ratings - Medium Temperature**

If a numerical value is listed in the table below, the following statement applies to that corresponding model: "This refrigeration system is designed and certified for use in walk-in cooler applications."

Model KLP	CO <sub>2</sub>
104C	9.00
106C	9.00
107C	9.00
209C	9.00
211C	9.00
214C	9.00
317C	9.00
320C	9.00
422C	9.00
427C	9.00
534C	9.00
640C	9.00

**Annual Walk-In Energy Factor Ratings - Low Temperature**

If a numerical value is listed in the table below, the following statement applies to that corresponding model: "This refrigeration system is designed and certified for use in walk-in freezer applications."

Model KLP	CO <sub>2</sub>
104D	3.96
105D	3.97
106D	3.99
207D	3.99
209D	4.02
211D	4.04
314D	4.07
316D	4.10
418D	4.13
421D	4.15
526D	4.15
631D	4.15

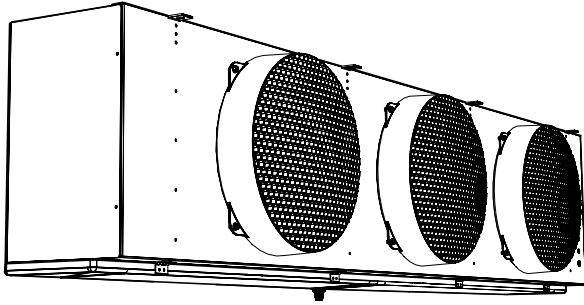
Model KLP	CO <sub>2</sub>
103F	3.95
104F	3.96
106F	3.98
207F	3.99
208F	4.01
211F	4.04
313F	4.06
316F	4.10
418F	4.13
421F	4.15
524F	4.15
627F	4.15

# KMP Medium Profile



**PRODUCT SUPPORT**  
 web: [www.k-rp.com/kmp](http://www.k-rp.com/kmp)  
 email: [evaps@k-rp.com](mailto:evaps@k-rp.com)  
 call: 1-844-893-3222 x520



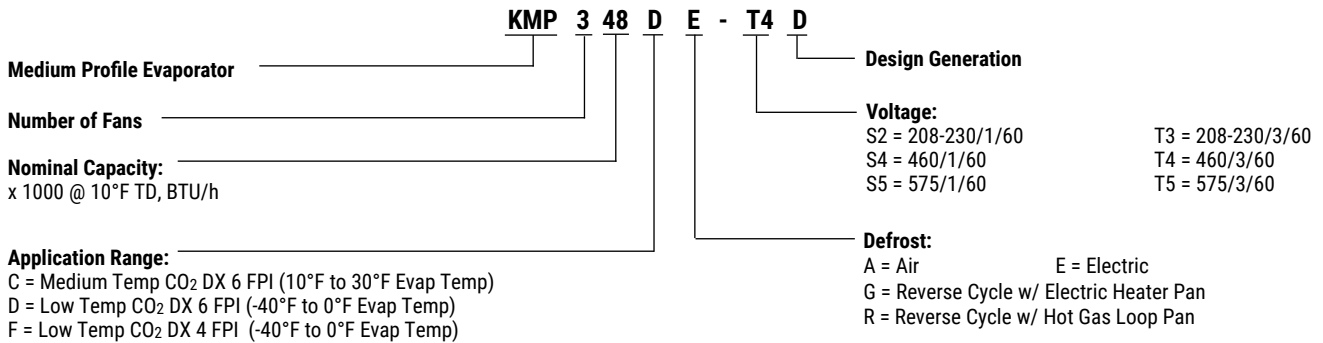


Designed for large walk-in coolers and freezers, and engineered to provide superior performance and quality in applications that demand efficiency and reliability.

Customizable for specialty ultra low temperature applications.

## NOMENCLATURE

## KMP - MEDIUM PROFILE CO<sub>2</sub> EVAPORATORS



## STANDARD FEATURES

- EC motors with patented SmartSpeed® Technology. (230V and 460V models only)
- Totally enclosed high efficiency EC motors
- High efficiency and high strength fan guard
- Hinged access panels
- Internally enhanced tubing
- Ample electrical and header compartments
- Adjustable Fan Delay on medium temp. Electric Defrost and Hot Gas units
- Schrader valve on suction header

- Positive slope, hinged drain pan
- Central drain connections (approximate)
- Universal drain fitting
- Large 3/4" ID (3/4" MPT) drain hole
- Factory installed distributor nozzle
- Factory pressure tested to 650 PSIG

**SMARTSPEED™**  
 FAN MOTOR TECHNOLOGY

**STANDARD ON MOST MODELS \***  
 \* except 575V models

## AVAILABLE OPTIONS

- Hot gas loop pan with hot gas defrost models
- Electronic expansion valve (EEV)
- Transducer for EEV
- Insulated drain pan
- Wire fan guard
- Corrosion protection: alternate fin materials and coatings
- Additional options available, please contact factory



**Medium Temperature - 6 FPI Models (except +)**

Model KMP	Qty. Fans	Evaporator Temperature Selection Capacity BTU/h			Air Flow		Refrig. Charge	
		20/25°F (-4/-7°C)	15°F (-9°C)	10°F (-12°C)	CFM	L/S	LB.	KG
120C	1	16200	16040	15880	3030	1430	3.5	1.6
124C	1	19400	19210	19010	2860	1350	4.6	2.1
232C	2	26000	25740	25480	6420	3030	5.5	2.5
240C	2	32500	32180	31850	6070	2865	6.6	3.0
248C	2	38600	38210	37830	5730	2704	8.6	3.9
360C	3	48900	48410	47920	9100	4295	9.5	4.3
372C	3	58900	58310	57720	8590	4054	12.9	5.9
486C	4	70100	69400	68700	11490	5423	15.5	7.1
495C +	4	77100	76330	75560	10780	5088	15.5	7.1

- Capacities are rated based on nominal 10°F TD, 34°F - 38°F liquid temperature  
 - Maximum Suction Temperature 30°F (Liquid temperature must be higher than the lowest suction temperature)  
 - Capacities at other TD within a range of 8 to 15°F (4.4 to 8.3°C) are directly proportional to TD, or use formula:  
 Capacity = Rated capacity ÷ 10 x TD.

+ 8 FPI unit

**Low Temperature - 6 FPI Models**

Model KMP	Qty. Fans	Evaporator Temperature Selection Capacity BTU/h					Air Flow		Refrig. Charge	
		0°F (-18°C)	-10°F (-23°C)	-20°F (-29°C)	-30°F (-34°C)	-40°F (-40°C)	CFM	L/S	LB.	KG
116D	1	13600	13200	12800	11800	10900	3030	1430	3.5	1.6
120D	1	16900	16400	15900	14600	13500	2860	1350	4.6	2.1
224D	2	20200	19700	19100	17600	16200	6420	3030	5.5	2.5
233D	2	28000	27200	26400	24300	22400	6070	2865	6.6	3.0
239D	2	33800	32900	31900	29300	27100	5730	2704	8.6	3.9
347D	3	40200	39000	37900	34900	32200	9100	4295	9.5	4.3
355D	3	47200	45800	44500	40900	37800	8590	4054	12.9	5.9
470D	4	60600	58900	57200	52600	48600	11490	5423	15.5	7.1

- Capacities are rated based on nominal 10°F TD, 34°F - 38°F liquid temperature  
 - Capacities at other TD within a range of 8 to 15°F (4.4 to 8.3°C) are directly proportional to TD, or use formula:  
 Capacity = Rated capacity ÷ 10 x TD.

**Low Temperature - 4 FPI Models**

Model KMP	Qty. Fans	Evaporator Temperature Selection Capacity BTU/h					Air Flow		Refrig. Charge	
		0°F (-18°C)	-10°F (-23°C)	-20°F (-29°C)	-30°F (-34°C)	-40°F (-40°C)	CFM	L/S	LB.	KG
113F	1	11000	10700	10400	9600	8800	3220	1520	3.5	1.6
117F	1	14400	14000	13600	12500	11600	3030	1430	4.6	2.1
221F	2	18000	17500	17000	15600	14500	6800	3209	5.5	2.5
226F	2	22600	21900	21300	19600	18100	6430	3035	6.6	3.0
234F	2	28800	28000	27200	25000	23100	6070	2865	8.6	3.9
338F	3	32500	31600	30700	28200	26100	9630	4545	9.5	4.3
349F	3	42000	40800	39600	36400	33700	9100	4295	12.9	5.9
457F	4	49300	47900	46500	42800	39500	12100	5711	15.5	7.1

- Capacities are rated based on nominal 10°F TD, 34°F - 38°F liquid temperature  
 - Capacities at other TD within a range of 8 to 15°F (4.4 to 8.3°C) are directly proportional to TD, or use formula:  
 Capacity = Rated capacity ÷ 10 x TD.

## 208-230/1/60: Air Defrost &amp; Hot Gas Defrost with Hot Gas Loop Pan Models

Model KMP	FPI	FAN MOTORS						
		Qty.	STANDARD SMARTSPEED EC Motors					
			HP	FLA Total	Watts	MCA (A)	Max. Fuse (AMPS)	
120C#-S2D	6	1	1/4	2.2	210	15	20	
124C#-S2D		1	1/4	2.2	210	15	20	
232C#-S2D		2	1/4	4.4	420	15	20	
240C#-S2D		2	1/4	4.4	420	15	20	
248C#-S2D		2	1/4	4.4	420	15	20	
360C#-S2D		3	1/4	6.6	630	15	20	
372C#-S2D		3	1/4	6.6	630	15	20	
486C#-S2D		4	1/4	8.8	840	15	20	
495C#-S2D		4	1/4	8.8	840	15	20	
116DR-S2D		6	1	1/4	2.2	210	15	20
120DR-S2D	1		1/4	2.2	210	15	20	
224DR-S2D	2		1/4	4.4	420	15	20	
233DR-S2D	2		1/4	4.4	420	15	20	
239DR-S2D	2		1/4	4.4	420	15	20	
347DR-S2D	3		1/4	6.6	630	15	20	
355DR-S2D	3		1/4	6.6	630	15	20	
470DR-S2D	4		1/4	8.8	840	15	20	
113FR-S2D	4		1	1/4	2.2	210	15	20
117FR-S2D			1	1/4	2.2	210	15	20
221FR-S2D		2	1/4	4.4	420	15	20	
226FR-S2D		2	1/4	4.4	420	15	20	
234FR-S2D		2	1/4	4.4	420	15	20	
338FR-S2D		3	1/4	6.6	630	15	20	
349FR-S2D		3	1/4	6.6	630	15	20	
457FR-S2D		4	1/4	8.8	840	15	20	

# = A or R. Refer to Nomenclature for details

## 460/1/60: Air Defrost &amp; Hot Gas Defrost with Hot Gas Loop Pan Models

Model KMP	FPI	FAN MOTORS						
		Qty.	STANDARD SMARTSPEED EC Motors					
			HP	FLA Total	Watts	MCA (A)	Max. Fuse (AMPS)	
120C#-S4D	6	1	1/3	1.6	210	15	15	
124C#-S4D		1	1/3	1.6	210	15	15	
232C#-S4D		2	1/3	3.2	420	15	15	
240C#-S4D		2	1/3	3.2	420	15	15	
248C#-S4D		2	1/3	3.2	420	15	15	
360C#-S4D		3	1/3	4.8	630	15	15	
372C#-S4D		3	1/3	4.8	630	15	15	
486C#-S4D		4	1/3	6.4	840	15	15	
495C#-S4D		4	1/3	6.4	840	15	15	
116DR-S4D		6	1	1/3	1.6	210	15	15
120DR-S4D	1		1/3	1.6	210	15	15	
224DR-S4D	2		1/3	3.2	420	15	15	
233DR-S4D	2		1/3	3.2	420	15	15	
239DR-S4D	2		1/3	3.2	420	15	15	
347DR-S4D	3		1/3	4.8	630	15	15	
355DR-S4D	3		1/3	4.8	630	15	15	
470DR-S4D	4		1/3	6.4	840	15	15	
113FR-S4D	4		1	1/3	1.6	210	15	15
117FR-S4D			1	1/3	1.6	210	15	15
221FR-S4D		2	1/3	3.2	420	15	15	
226FR-S4D		2	1/3	3.2	420	15	15	
234FR-S4D		2	1/3	3.2	420	15	15	
338FR-S4D		3	1/3	4.8	630	15	15	
349FR-S4D		3	1/3	4.8	630	15	15	
457FR-S4D		4	1/3	6.4	840	15	15	

# = A or R. Refer to Nomenclature for details

**208-230/1/60: Electric Defrost Models**

Model KMP	FPI	FAN MOTORS						DEFROST HEATERS			
		Qty.	Standard SMART <sup>SPEED</sup> EC Motors					Total WATTS	Total AMPS	MCA (A)	Max. Fuse (AMPS)
			HP	FLA Total	Watts	MCA (A)	Max. Fuse (AMPS)				
120CE-S2D	6	1	1/4	2.2	210	15	20	3330	14.5	18.0	20
124CE-S2D		1	1/4	2.2	210	15	20	3330	14.5	18.0	20
232CE-S2D		2	1/4	4.4	420	15	20	6190	26.9	34.0	35
240CE-S2D		2	1/4	4.4	420	15	20	6190	26.9	34.0	35
248CE-S2D		2	1/4	4.4	420	15	20	6190	26.9	34.0	35
360CE-S2D		3	1/4	6.6	630	15	20	9040	39.3	49.0	50
372CE-S2D		3	1/4	6.6	630	15	20	9040	39.3	49.0	50
486CE-S2D		4	1/4	8.8	840	15	20	10600	46.1	58.0	60
495CE-S2D		4	1/4	8.8	840	15	20	10600	46.1	58.0	60
116DE-S2D	6	1	1/4	2.2	210	15	20	3330	14.5	18.0	20
120DE-S2D		1	1/4	2.2	210	15	20	3330	14.5	18.0	20
224DE-S2D		2	1/4	4.4	420	15	20	6190	26.9	34.0	35
233DE-S2D		2	1/4	4.4	420	15	20	6190	26.9	34.0	35
239DE-S2D		2	1/4	4.4	420	15	20	6190	26.9	34.0	35
347DE-S2D		3	1/4	6.6	630	15	20	9040	39.3	49.0	50
355DE-S2D		3	1/4	6.6	630	15	20	9040	39.3	49.0	50
470DE-S2D		4	1/4	8.8	840	15	20	10600	46.1	58.0	60
113FE-S2D	4	1	1/4	2.2	210	15	20	3330	14.5	18.0	20
117FE-S2D		1	1/4	2.2	210	15	20	3330	14.5	18.0	20
221FE-S2D		2	1/4	4.4	420	15	20	6190	26.9	34.0	35
226FE-S2D		2	1/4	4.4	420	15	20	6190	26.9	34.0	35
234FE-S2D		2	1/4	4.4	420	15	20	6190	26.9	34.0	35
338FE-S2D		3	1/4	6.6	630	15	20	9040	39.3	49.0	50
349FE-S2D		3	1/4	6.6	630	15	20	9040	39.3	49.0	50
457FE-S2D		4	1/4	8.8	840	15	20	10600	46.1	58.0	60

**208-230/3/60: Electric Defrost Models**

Model KMP	FPI	FAN MOTORS						DEFROST HEATERS			
		Qty.	Standard SMART <sup>SPEED</sup> EC Motors					Total WATTS	Total AMPS	MCA (A)	Max. Fuse (AMPS)
			HP	FLA Total	Watts	MCA (A)	Max. Fuse (AMPS)				
120CE-T3D	6	1	1/4	2.2	210	15	20	3330	9.9	12.0	15
124CE-T3D		1	1/4	2.2	210	15	20	3330	9.9	12.0	15
232CE-T3D		2	1/4	4.4	420	15	20	6190	18.3	23.0	25
240CE-T3D		2	1/4	4.4	420	15	20	6190	18.3	23.0	25
248CE-T3D		2	1/4	4.4	420	15	20	6190	18.3	23.0	25
360CE-T3D		3	1/4	6.6	630	15	20	9040	26.7	33.0	35
372CE-T3D		3	1/4	6.6	630	15	20	9040	26.7	33.0	35
486CE-T3D		4	1/4	8.8	840	15	20	10600	31.2	39.0	40
495CE-T3D		4	1/4	8.8	840	15	20	10600	31.2	39.0	40
116DE-T3D	6	1	1/4	2.2	210	15	20	3330	9.9	12.0	15
120DE-T3D		1	1/4	2.2	210	15	20	3330	9.9	12.0	15
224DE-T3D		2	1/4	4.4	420	15	20	6190	18.3	23.0	25
233DE-T3D		2	1/4	4.4	420	15	20	6190	18.3	23.0	25
239DE-T3D		2	1/4	4.4	420	15	20	6190	18.3	23.0	25
347DE-T3D		3	1/4	6.6	630	15	20	9040	26.7	33.0	35
355DE-T3D		3	1/4	6.6	630	15	20	9040	26.7	33.0	35
470DE-T3D		4	1/4	8.8	840	15	20	10600	31.2	39.0	40
113FE-T3D	4	1	1/4	2.2	210	15	20	3330	9.9	12.0	15
117FE-T3D		1	1/4	2.2	210	15	20	3330	9.9	12.0	15
221FE-T3D		2	1/4	4.4	420	15	20	6190	18.3	23.0	25
226FE-T3D		2	1/4	4.4	420	15	20	6190	18.3	23.0	25
234FE-T3D		2	1/4	4.4	420	15	20	6190	18.3	23.0	25
338FE-T3D		3	1/4	6.6	630	15	20	9040	26.7	33.0	35
349FE-T3D		3	1/4	6.6	630	15	20	9040	26.7	33.0	35
457FE-T3D		4	1/4	8.8	840	15	20	10600	31.2	39.0	40

## 460/1/60: Electric Defrost Models

Model KMP	FPI	FAN MOTORS					DEFROST HEATERS				
		Qty.	Standard SMARTSPEED <sup>®</sup> EC Motors				Total WATTS	Total AMPS	MCA (A)	Max. Fuse (AMPS)	
			HP	FLA Total	Watts	MCA (A)					Max. Fuse (AMPS)
120CE-S4D	6	1	1/3	1.6	210	15	15	3330	7.2	9.0	15
124CE-S4D		1	1/3	1.6	210	15	15	3330	7.2	9.0	15
232CE-S4D		2	1/3	3.2	420	15	15	6190	13.5	17.0	20
240CE-S4D		2	1/3	3.2	420	15	15	6190	13.5	17.0	20
248CE-S4D		2	1/3	3.2	420	15	15	6190	13.5	17.0	20
360CE-S4D		3	1/3	4.8	630	15	15	9040	19.7	25.0	25
372CE-S4D		3	1/3	4.8	630	15	15	9040	19.7	25.0	25
486CE-S4D		4	1/3	6.4	840	15	15	10600	23.0	29.0	30
495CE-S4D		4	1/3	6.4	840	15	15	10600	23.0	29.0	30
116DE-S4D	6	1	1/3	1.6	210	15	15	3330	7.2	9.0	15
120DE-S4D		1	1/3	1.6	210	15	15	3330	7.2	9.0	15
224DE-S4D		2	1/3	3.2	420	15	15	6190	13.5	17.0	20
233DE-S4D		2	1/3	3.2	420	15	15	6190	13.5	17.0	20
239DE-S4D		2	1/3	3.2	420	15	15	6190	13.5	17.0	20
347DE-S4D		3	1/3	4.8	630	15	15	9040	19.7	25.0	25
355DE-S4D		3	1/3	4.8	630	15	15	9040	19.7	25.0	25
470DE-S4D		4	1/3	6.4	840	15	15	10600	23.0	29.0	30
113FE-S4D		4	1	1/3	1.6	210	15	15	3330	7.2	9.0
117FE-S4D	1		1/3	1.6	210	15	15	3330	7.2	9.0	15
221FE-S4D	2		1/3	3.2	420	15	15	6190	13.5	17.0	20
226FE-S4D	2		1/3	3.2	420	15	15	6190	13.5	17.0	20
234FE-S4D	2		1/3	3.2	420	15	15	6190	13.5	17.0	20
338FE-S4D	3		1/3	4.8	630	15	15	9040	19.7	25.0	25
349FE-S4D	3		1/3	4.8	630	15	15	9040	19.7	25.0	25
457FE-S4D	4		1/3	6.4	840	15	15	10600	23.0	29.0	30

## 460/3/60: Electric Defrost Models

Model KMP	FPI	FAN MOTORS					DEFROST HEATERS				
		Qty.	Standard SMARTSPEED <sup>®</sup> EC Motors				Total WATTS	Total AMPS	MCA (A)	Max. Fuse (AMPS)	
			HP	FLA Total	Watts	MCA (A)					Max. Fuse (AMPS)
120CE-T4D	6	1	1/3	1.6	210	15	15	3330	5.0	6.2	15
124CE-T4D		1	1/3	1.6	210	15	15	3330	5.0	6.2	15
233CE-T4D		2	1/3	3.2	420	15	15	6190	9.2	11.0	15
240CE-T4D		2	1/3	3.2	420	15	15	6190	9.2	11.0	15
248CE-T4D		2	1/3	3.2	420	15	15	6190	9.2	11.0	15
360CE-T4D		3	1/3	4.8	630	15	15	9040	13.4	17.0	20
372CE-T4D		3	1/3	4.8	630	15	15	9040	13.4	17.0	20
486CE-T4D		4	1/3	6.4	840	15	15	10600	15.6	19.0	20
495CE-T4D		4	1/3	6.4	840	15	15	10600	15.6	19.0	20
116DE-T4D	6	1	1/3	1.6	210	15	15	3330	5.0	6.2	15
120DE-T4D		1	1/3	1.6	210	15	15	3330	5.0	6.2	15
224DE-T4D		2	1/3	3.2	420	15	15	6190	9.2	11.0	15
233DE-T4D		2	1/3	3.2	420	15	15	6190	9.2	11.0	15
239DE-T4D		2	1/3	3.2	420	15	15	6190	9.2	11.0	15
347DE-T4D		3	1/3	4.8	630	15	15	9040	13.4	17.0	20
355DE-T4D		3	1/3	4.8	630	15	15	9040	13.4	17.0	20
470DE-T4D		4	1/3	6.4	840	15	15	10600	15.6	19.0	20
113FE-T4D		4	1	1/3	1.6	210	15	15	3330	5.0	6.2
117FE-T4D	1		1/3	1.6	210	15	15	3330	5.0	6.2	15
221FE-T4D	2		1/3	3.2	420	15	15	6190	9.2	11.0	15
226FE-T4D	2		1/3	3.2	420	15	15	6190	9.2	11.0	15
234FE-T4D	2		1/3	3.2	420	15	15	6190	9.2	11.0	15
338FE-T4D	3		1/3	4.8	630	15	15	9040	13.4	17.0	20
349FE-T4D	3		1/3	4.8	630	15	15	9040	13.4	17.0	20
457FE-T4D	4		1/3	6.4	840	15	15	10600	15.6	19.0	20

208-230/1/60: Hot Gas Defrost with Drain Pan Heater Models

Model KMP	FPI	FAN MOTORS						DEFROST HEATERS			
		Qty.	Standard SMARTSPEED EC Motors					Total WATTS	Total AMPS	MCA (A)	Max. Fuse (AMPS)
			HP	FLA Total	Watts	MCA (A)	Max. Fuse (AMPS)				
120CG-S2D	6	1	1/4	2.2	210	15	20	534	2.3	2.9	15
124CG-S2D		1	1/4	2.2	210	15	20	534	2.3	2.9	15
232CG-S2D		2	1/4	4.4	420	15	20	887	3.9	4.8	15
240CG-S2D		2	1/4	4.4	420	15	20	887	3.9	4.8	15
248CG-S2D		2	1/4	4.4	420	15	20	887	3.9	4.8	15
360CG-S2D		3	1/4	6.6	630	15	20	1240	5.4	6.7	15
372CG-S2D		3	1/4	6.6	630	15	20	1240	5.4	6.7	15
486CG-S2D		4	1/4	8.8	840	15	20	1430	6.0	7.8	15
495CG-S2D		4	1/4	8.8	840	15	20	1430	6.0	7.8	15
116DG-S2D	6	1	1/4	2.2	210	15	20	534	2.3	2.9	15
120DG-S2D		1	1/4	2.2	210	15	20	534	2.3	2.9	15
224DG-S2D		2	1/4	4.4	420	15	20	887	3.9	4.8	15
233DG-S2D		2	1/4	4.4	420	15	20	887	3.9	4.8	15
239DG-S2D		2	1/4	4.4	420	15	20	887	3.9	4.8	15
347DG-S2D		3	1/4	6.6	630	15	20	1240	5.4	6.7	15
355DG-S2D		3	1/4	6.6	630	15	20	1240	5.4	6.7	15
470DG-S2D		4	1/4	8.8	840	15	20	1430	6.0	7.8	15
113FG-S2D		4	1	1/4	2.2	210	15	20	534	2.3	2.9
117FG-S2D	1		1/4	2.2	210	15	20	534	2.3	2.9	15
221FG-S2D	2		1/4	4.4	420	15	20	887	3.9	4.8	15
226FG-S2D	2		1/4	4.4	420	15	20	887	3.9	4.8	15
234FG-S2D	2		1/4	4.4	420	15	20	887	3.9	4.8	15
338FG-S2D	3		1/4	6.6	630	15	20	1240	5.4	6.7	15
349FG-S2D	3		1/4	6.6	630	15	20	1240	5.4	6.7	15
457FG-S2D	4		1/4	8.8	840	15	20	1430	6.0	7.8	15

460/1/60: Hot Gas Defrost with Drain Pan Heater Models

Model KMP	FPI	FAN MOTORS						DEFROST HEATERS			
		Qty.	Standard SMARTSPEED EC Motors					Total WATTS	Total AMPS	MCA (A)	Max. Fuse (AMPS)
			HP	FLA Total	Watts	MCA (A)	Max. Fuse (AMPS)				
120CG-S4D	6	1	1/3	1.6	210	15	15	534	1.2	1.5	15
124CG-S4D		1	1/3	1.6	210	15	15	534	1.2	1.5	15
232CG-S4D		2	1/3	3.2	420	15	15	887	1.9	2.4	15
240CG-S4D		2	1/3	3.2	420	15	15	887	1.9	2.4	15
248CG-S4D		2	1/3	3.2	420	15	15	887	1.9	2.4	15
360CG-S4D		3	1/3	4.8	630	15	15	1240	2.7	3.4	15
372CG-S4D		3	1/3	4.8	630	15	15	1240	2.7	3.4	15
486CG-S4D		4	1/3	6.4	840	15	15	1430	3.1	3.9	15
495CG-S4D		4	1/3	6.4	840	15	15	1430	3.1	3.9	15
116DG-S4D	6	1	1/3	1.6	210	15	15	534	1.2	1.5	15
120DG-S4D		1	1/3	1.6	210	15	15	534	1.2	1.5	15
224DG-S4D		2	1/3	3.2	420	15	15	887	1.9	2.4	15
233DG-S4D		2	1/3	3.2	420	15	15	887	1.9	2.4	15
239DG-S4D		2	1/3	3.2	420	15	15	887	1.9	2.4	15
347DG-S4D		3	1/3	4.8	630	15	15	1240	2.7	3.4	15
355DG-S4D		3	1/3	4.8	630	15	15	1240	2.7	3.4	15
470DG-S4D		4	1/3	6.4	840	15	15	1430	3.1	3.9	15
113FG-S4D		4	1	1/3	1.6	210	15	15	534	1.2	1.5
117FG-S4D	1		1/3	1.6	210	15	15	534	1.2	1.5	15
221FG-S4D	2		1/3	3.2	420	15	15	887	1.9	2.4	15
226FG-S4D	2		1/3	3.2	420	15	15	887	1.9	2.4	15
234FG-S4D	2		1/3	3.2	420	15	15	887	1.9	2.4	15
338FG-S4D	3		1/3	4.8	630	15	15	1240	2.7	3.4	15
349FG-S4D	3		1/3	4.8	630	15	15	1240	2.7	3.4	15
457FG-S4D	4		1/3	6.4	840	15	15	1430	3.1	3.9	15

575/1/60: Air Defrost & Hot Gas Defrost with Hot Gas Loop Pan Models

Model KMP	FPI	FAN MOTORS						
		Qty.	575/1/60 (PSC)					
			HP	FLA Total	Watts	MCA (A)	Max. Fuse (AMPS)	
120C#-S5D	6	1	1/3	0.7	350	1	15	
124C#-S5D		1	1/3	0.7	350	1	15	
232C#-S5D		2	1/3	1.4	700	2	15	
240C#-S5D		2	1/3	1.4	700	2	15	
248C#-S5D		2	1/3	1.4	700	2	15	
360C#-S5D		3	1/3	2.1	1050	2	15	
372C#-S5D		3	1/3	2.1	1050	2	15	
486C#-S5D		4	1/3	2.8	1400	3	15	
495C#-S5D		4	1/3	2.8	1400	3	15	
116DR-S5D		6	1	1/3	0.7	350	1	15
120DR-S5D	1		1/3	0.7	350	1	15	
224DR-S5D	2		1/3	1.4	700	2	15	
233DR-S5D	2		1/3	1.4	700	2	15	
239DR-S5D	2		1/3	1.4	700	2	15	
347DR-S5D	3		1/3	2.1	1050	2	15	
355DR-S5D	3		1/3	2.1	1050	2	15	
470DR-S5D	4		1/3	2.8	1400	3	15	
113FR-S5D	4		1	1/3	0.7	350	1	15
117FR-S5D			1	1/3	0.7	350	1	15
221FR-S5D		2	1/3	1.4	700	2	15	
226FR-S5D		2	1/3	1.4	700	2	15	
234FR-S5D		2	1/3	1.4	700	2	15	
338FR-S5D		3	1/3	2.1	1050	2	15	
349FR-S5D		3	1/3	2.1	1050	2	15	
457FR-S5D		4	1/3	2.8	1400	3	15	

**NOTE:**  
**AWEF not required**  
**in applications**  
**utilizing 575V**

# = A or R. Refer to Nomenclature for details

575/1/60: Electric Defrost Models

Model KMP	FPI	FAN MOTORS						DEFROST HEATERS				
		Qty.	575/1/60 (PSC)					575/1/60				
			HP	FLA Total	Watts	MCA (A)	Max. Fuse (AMPS)	Total WATTS	Total AMPS	MCA (A)	Max. Fuse (AMPS)	
120CE-S5D	6	1	1/3	0.7	350	1	15	3330	5.8	7.2	15	
124CE-S5D		1	1/3	0.7	350	1	15	3330	5.8	7.2	15	
232CE-S5D		2	1/3	1.4	700	2	15	6190	10.8	13.5	15	
240CE-S5D		2	1/3	1.4	700	2	15	6190	10.8	13.5	15	
248CE-S5D		2	1/3	1.4	700	2	15	6190	10.8	13.5	15	
360CE-S5D		3	1/3	2.1	1050	2	15	9040	15.7	19.7	20	
372CE-S5D		3	1/3	2.1	1050	2	15	9040	15.7	19.7	20	
486CE-S5D		4	1/3	2.8	1400	3	15	10600	18.4	23.0	25	
495CE-S5D		4	1/3	2.8	1400	3	15	10600	18.4	23.0	25	
116DE-S5D		6	1	1/3	0.7	350	1	15	3330	5.8	7.2	15
120DE-S5D	1		1/3	0.7	350	1	15	3330	5.8	7.2	15	
224DE-S5D	2		1/3	1.4	700	2	15	6190	10.8	13.5	15	
233DE-S5D	2		1/3	1.4	700	2	15	6190	10.8	13.5	15	
239DE-S5D	2		1/3	1.4	700	2	15	6190	10.8	13.5	15	
347DE-S5D	3		1/3	2.1	1050	2	15	9040	15.7	19.7	20	
355DE-S5D	3		1/3	2.1	1050	2	15	9040	15.7	19.7	20	
470DE-S5D	4		1/3	2.8	1400	3	15	10600	18.4	23.0	25	
113FE-S5D	4		1	1/3	0.7	350	1	15	3330	5.8	7.2	15
117FE-S5D			1	1/3	0.7	350	1	15	3330	5.8	7.2	15
221FE-S5D		2	1/3	1.4	700	2	15	6190	10.8	13.5	15	
226FE-S5D		2	1/3	1.4	700	2	15	6190	10.8	13.5	15	
234FE-S5D		2	1/3	1.4	700	2	15	6190	10.8	13.5	15	
338FE-S5D		3	1/3	2.1	1050	2	15	9040	15.7	19.7	20	
349FE-S5D		3	1/3	2.1	1050	2	15	9040	15.7	19.7	20	
457FE-S5D		4	1/3	2.8	1400	3	15	10600	18.4	23.0	25	

**NOTE:**  
**AWEF not required**  
**in applications**  
**utilizing 575V**

575/3/60: Electric Defrost Models

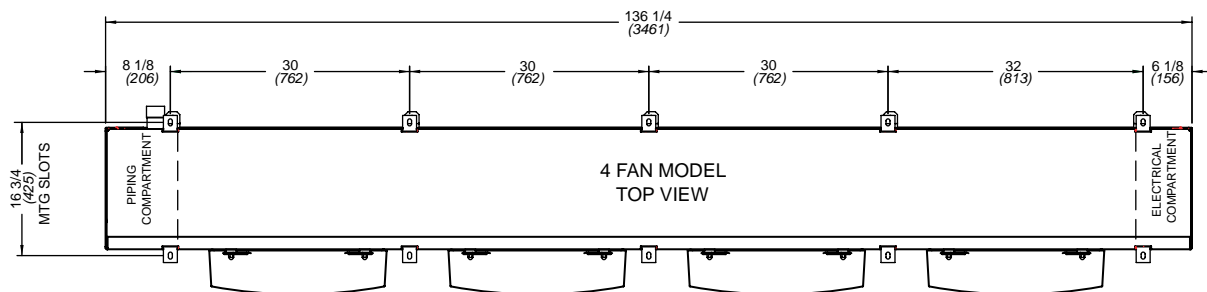
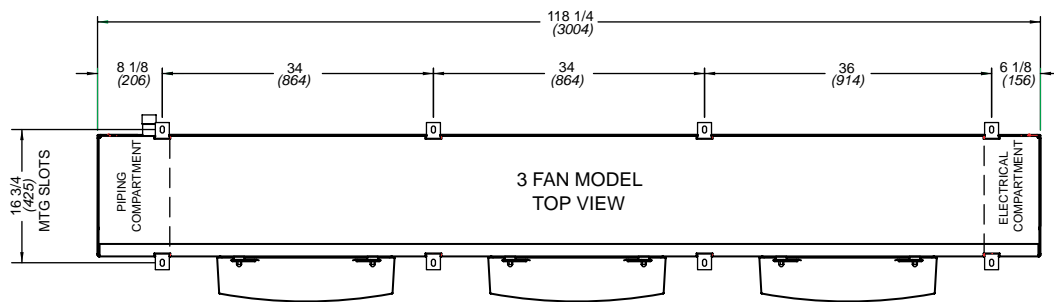
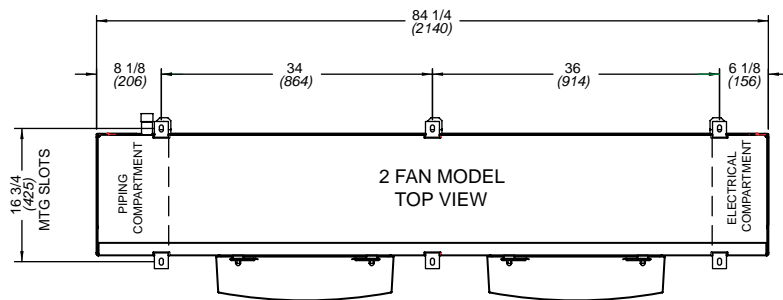
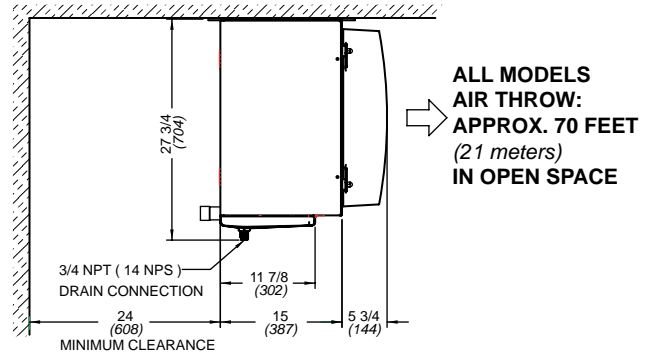
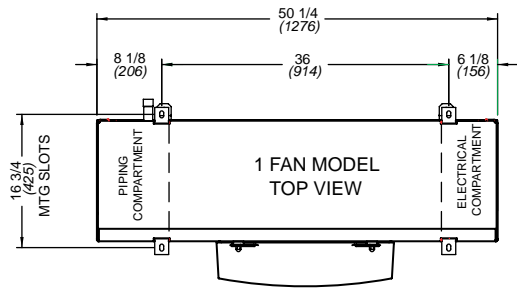
Model KMP	FPI	FAN MOTORS					DEFROST HEATERS				
		Qty.	575/1/60 (PSC)					575/3/60			
			HP	FLA Total	Watts	MCA (A)	Max. Fuse (AMPS)	Total WATTS	Total AMPS	MCA (A)	Max. Fuse (AMPS)
120CE-T5D	6	1	1/3	0.7	350	1	15	3330	4.0	5.0	15
124CE-T5D		1	1/3	0.7	350	1	15	3330	4.0	5.0	15
233CE-T5D		2	1/3	1.4	700	2	15	6190	7.3	9.2	15
240CE-T5D		2	1/3	1.4	700	2	15	6190	7.3	9.2	15
248CE-T5D		2	1/3	1.4	700	2	15	6190	7.3	9.2	15
360CE-T5D		3	1/3	2.1	1050	2	15	9040	10.7	13.4	15
372CE-T5D		3	1/3	2.1	1050	2	15	9040	10.7	13.4	15
486CE-T5D		4	1/3	2.8	1400	3	15	10600	12.5	15.6	20
495CE-T5D		4	1/3	2.8	1400	3	15	10600	12.5	15.6	20
116DE-T5D		6	1	1/3	0.7	350	1	15	3330	4.0	5.0
120DE-T5D	1		1/3	0.7	350	1	15	3330	4.0	5.0	15
224DE-T5D	2		1/3	1.4	700	2	15	6190	7.3	9.2	15
233DE-T5D	2		1/3	1.4	700	2	15	6190	7.3	9.2	15
239DE-T5D	2		1/3	1.4	700	2	15	6190	7.3	9.2	15
347DE-T5D	3		1/3	2.1	1050	2	15	9040	10.7	13.4	15
355DE-T5D	3		1/3	2.1	1050	2	15	9040	10.7	13.4	15
470DE-T5D	4		1/3	2.8	1400	3	15	10600	12.5	15.6	20
113FE-T5D	4	1	1/3	0.7	350	1	15	3330	4.0	5.0	15
117FE-T5D		1	1/3	0.7	350	1	15	3330	4.0	5.0	15
221FE-T5D		2	1/3	1.4	700	2	15	6190	7.3	9.2	15
226FE-T5D		2	1/3	1.4	700	2	15	6190	7.3	9.2	15
234FE-T5D		2	1/3	1.4	700	2	15	6190	7.3	9.2	15
338FE-T5D		3	1/3	2.1	1050	2	15	9040	10.7	13.4	15
349FE-T5D		3	1/3	2.1	1050	2	15	9040	10.7	13.4	15
457FE-T5D		4	1/3	2.8	1400	3	15	10600	12.5	15.6	20

**NOTE: AWEF not required in applications utilizing 575V**

575/1/60: Hot Gas Defrost with Drain Pan Heater Models

Model KMP	FPI	FAN MOTORS					DEFROST HEATERS				
		Qty.	575/1/60 (PSC)					575/1/60			
			HP	FLA Total	Watts	MCA (A)	Max. Fuse (AMPS)	Total WATTS	Total AMPS	MCA (A)	Max. Fuse (AMPS)
120CG-S5D	6	1	1/3	0.7	350	1	15	534	0.9	1.2	15
124CG-S5D		1	1/3	0.7	350	1	15	534	0.9	1.2	15
232CG-S5D		2	1/3	1.4	700	2	15	887	1.5	1.9	15
240CG-S5D		2	1/3	1.4	700	2	15	887	1.5	1.9	15
248CG-S5D		2	1/3	1.4	700	2	15	887	1.5	1.9	15
360CG-S5D		3	1/3	2.1	1050	2	15	1240	2.2	2.7	15
372CG-S5D		3	1/3	2.1	1050	2	15	1240	2.2	2.7	15
486CG-S5D		4	1/3	2.8	1400	3	15	1430	2.5	3.1	15
495CG-S5D		4	1/3	2.8	1400	3	15	1430	2.5	3.1	15
116DG-S5D		6	1	1/3	0.7	350	1	15	534	0.9	1.2
120DG-S5D	1		1/3	0.7	350	1	15	534	0.9	1.2	15
224DG-S5D	2		1/3	1.4	700	2	15	887	1.5	1.9	15
233DG-S5D	2		1/3	1.4	700	2	15	887	1.5	1.9	15
239DG-S5D	2		1/3	1.4	700	2	15	887	1.5	1.9	15
347DG-S5D	3		1/3	2.1	1050	2	15	1240	2.2	2.7	15
355DG-S5D	3		1/3	2.1	1050	2	15	1240	2.2	2.7	15
470DG-S5D	4		1/3	2.8	1400	3	15	1430	2.5	3.1	15
113FG-S5D	4	1	1/3	0.7	350	1	15	534	0.9	1.2	15
117FG-S5D		1	1/3	0.7	350	1	15	534	0.9	1.2	15
221FG-S5D		2	1/3	1.4	700	2	15	887	1.5	1.9	15
226FG-S5D		2	1/3	1.4	700	2	15	887	1.5	1.9	15
234FG-S5D		2	1/3	1.4	700	2	15	887	1.5	1.9	15
338FG-S5D		3	1/3	2.1	1050	2	15	1240	2.2	2.7	15
349FG-S5D		3	1/3	2.1	1050	2	15	1240	2.2	2.7	15
457FG-S5D		4	1/3	2.8	1400	3	15	1430	2.5	3.1	15

**NOTE: AWEF not required in applications utilizing 575V**





**Medium Temperature Air and Electric Defrost Models**

Model KMP	No. of Fans	Suction Connection (ID) Sweat	Distributor Inlet Size
120C#	1	3/8	3/8
124C#		3/8	3/8
232C#	2	1/2	3/8
240C#		1/2	1/2
248C#		1/2	1/2
360C#	3	5/8	1/2
372C#		5/8	1/2
486C#	4	7/8	1/2
495C#		7/8	1/2

# = A or E. Refer to Nomenclature for details

**Low Temperature Electric Defrost Models**

Model KMP	No. of Fans	Suction Connection (ID) Sweat	Distributor Inlet Size
116DE	1	3/8	3/8
120DE		3/8	3/8
224DE	2	3/8	3/8
233DE		1/2	1/2
239DE		1/2	1/2
347DE	3	5/8	1/2
355DE		5/8	1/2
470DE	4	7/8	1/2
113FE	1	3/8	3/8
117FE		3/8	3/8
221FE	2	3/8	3/8
226FE		1/2	1/2
234FE		1/2	1/2
338FE	3	5/8	1/2
349FE		5/8	1/2
457FE	4	5/8	1/2

**Hot Gas Defrost Models**

Model KMP	No. of Fans	Suction Connection (ID) Sweat	REVERSE CYCLE DEFOST / 3 PIPE DEFOST		Hot Gas Drain Pan Loop Connection (OD) Sweat
			Distributor Inlet Size (OD) Sweat	Side Port Connection (OD) Sweat	
120C <sup>A</sup>	1	3/8	3/8	5/8	5/8
124C <sup>A</sup>		3/8	3/8	5/8	5/8
232C <sup>A</sup>	2	1/2	3/8	5/8	5/8
240C <sup>A</sup>		1/2	1/2	5/8	5/8
248C <sup>A</sup>		1/2	1/2	5/8	5/8
360C <sup>A</sup>	3	5/8	1/2	5/8	5/8
372C <sup>A</sup>		5/8	1/2	5/8	5/8
486C <sup>A</sup>	4	7/8	1/2	5/8	5/8
495C <sup>A</sup>		7/8	1/2	5/8	5/8
116D <sup>A</sup>	1	3/8	3/8	5/8	5/8
120D <sup>A</sup>		3/8	3/8	5/8	5/8
224D <sup>A</sup>	2	3/8	3/8	5/8	5/8
233D <sup>A</sup>		1/2	1/2	5/8	5/8
239D <sup>A</sup>		1/2	1/2	5/8	5/8
347D <sup>A</sup>	3	5/8	1/2	5/8	5/8
355D <sup>A</sup>		5/8	1/2	5/8	5/8
470D <sup>A</sup>	4	7/8	1/2	5/8	5/8
113F <sup>A</sup>	1	3/8	3/8	5/8	5/8
117F <sup>A</sup>		3/8	3/8	5/8	5/8
221F <sup>A</sup>	2	3/8	3/8	5/8	5/8
226F <sup>A</sup>		1/2	1/2	5/8	5/8
234F <sup>A</sup>		1/2	1/2	5/8	5/8
338F <sup>A</sup>	3	5/8	1/2	5/8	5/8
349F <sup>A</sup>		5/8	1/2	5/8	5/8
457F <sup>A</sup>	4	5/8	1/2	5/8	5/8

<sup>A</sup> = G or R. Refer to Nomenclature for details

**Air Defrost**

Model KMP	Shipping Weight	
	LB.	kg.
120CA	154	70
124CA	161	73
232CA	224	102
240CA	239	109
248CA	254	115
360CA	326	148
372CA	349	158
486CA	414	188
495CA	433	197

**Electric Defrost**

Model KMP	Shipping Weight	
	LB.	kg.
120CE	163	74
124CE	171	78
232CE	241	109
240CE	257	117
248CE	270	123
360CE	349	158
372CE	372	169
486CE	441	200
495CE	460	209
116DE	164	74
120DE	171	78
224DE	243	110
233DE	257	117
239DE	273	124
347DE	352	160
355DE	377	171
470DE	443	201
113FE	160	73
117FE	166	75
221FE	239	109
226FE	250	114
234FE	263	119
338FE	346	157
349FE	362	164
457FE	425	193

**Hot Gas Defrost**

with HOT GAS LOOP			with ELECTRIC HEATER PAN		
Model KMP	Shipping Weight		Model KMP	Shipping Weight	
	LB.	kg.		LB.	kg.
120CR	160	73	120CG	156	71
124CR	168	76	124CG	164	74
232CR	240	109	232CG	228	104
240CR	255	116	240CG	244	111
248CR	269	122	248CG	258	117
360CR	353	160	360CG	332	151
372CR	376	171	372CG	355	161
486CR	453	206	486CG	421	191
495CR	472	214	495CG	440	200
116DR	161	73	116DG	157	71
120DR	168	76	120DG	164	74
224DR	241	109	224DG	230	104
233DR	256	116	233DG	245	111
239DR	272	123	239DG	261	118
347DR	356	162	347DG	335	152
355DR	382	173	355DG	360	163
470DR	455	207	470DG	423	192
113FR	157	71	113FG	153	69
117FR	163	74	117FG	160	73
221FR	236	107	221FG	226	103
226FR	249	113	226FG	238	108
234FR	262	119	234FG	252	114
338FR	350	159	338FG	329	149
349FR	367	167	349FG	346	157
457FR	438	199	457FG	406	184

**FACTORY INSTALLED DISTRIBUTOR NOZZLES**

**Medium Temperature**

Model KMP	CO <sub>2</sub>
120C#	1/8
124C#	1/8
232C#	1/3
240C#	1/2
248C#	3/4
360C#	3/4
372C#	1
486C#	1
495C#	1 1/2

# = A, E, G, or R. Refer to Nomenclature for details

**Low Temperature**

Model KMP	CO <sub>2</sub>
116D#	1/3
120D#	1/3
224D#	1/2
233D#	3/4
239D#	1
347D#	1
355D#	1 1/2
470D#	2
113F#	1/3
117F#	1/3
221F#	3/4
226F#	3/4
234F#	1
338F#	1
349F#	1 1/2
457F#	1 1/2

# = A, E, G, or R. Refer to Nomenclature for details

**Annual Walk-In Energy Factor Ratings - High/Medium Temperature**

If a numerical value is listed in the table below, the following statement applies to that corresponding model: "This refrigeration system is designed and certified for use in walk-in cooler applications."

Model KMP	CO <sub>2</sub>
120C	9.00
124C	9.00
232C	9.00
240C	9.00
248C	9.00
360C	9.00
372C	9.00
486C	9.00
495C	9.00

**NOTE:  
AWEF not required  
in applications  
utilizing 575V**

**Annual Walk-In Energy Factor Ratings - Low Temperature**

If a numerical value is listed in the table below, the following statement applies to that corresponding model: "This refrigeration system is designed and certified for use in walk-in freezer applications."

Model KMP	CO <sub>2</sub>
116D	4.09
120D	4.14
224D	4.15
233D	4.15
239D	4.15
347D	4.15
355D	4.15
470D	4.15

**NOTE:  
AWEF not required  
in applications  
utilizing 575V**

Model KMP	CO <sub>2</sub>
113F	4.06
117F	4.11
221F	4.15
226F	4.15
234F	4.15
338F	4.15
349F	4.15
457F	4.15

**NOTE:  
AWEF not required  
in applications  
utilizing 575V**

  
PRODUCT SUPPORT

*web:* [www.k-rp.com/co2](http://www.k-rp.com/co2)  
*email:* [evaps@k-rp.com](mailto:evaps@k-rp.com)  
*call:* 1-844-893-3222 x520

  
TROUBLESHOOTING

*email:* [troubleshooting@k-rp.com](mailto:troubleshooting@k-rp.com)  
*call:* 1-844-893-3222 x529

  
SERVICE PARTS


*web:* [www.k-rp.com/parts](http://www.k-rp.com/parts)  
*email:* [parts@k-rp.com](mailto:parts@k-rp.com)  
*call:* 1-844-893-3222 x504

  
WARRANTY

*web:* [www.k-rp.com/warranty](http://www.k-rp.com/warranty)  
*email:* [warranty@k-rp.com](mailto:warranty@k-rp.com)  
*call:* 1-844-893-3222 x507

  
ORDERS

*email:* [orders@k-rp.com](mailto:orders@k-rp.com)  
*call:* 1-844-893-3222 x501

  
SHIPPING

*email:* [shipping@k-rp.com](mailto:shipping@k-rp.com)  
*call:* 1-844-893-3222 x503

**KeepRite**<sup>®</sup>  
REFRIGERATION

KeepRite Refrigeration  
Brantford, ON • Longview, TX  
1-800-463-9517 [info@k-rp.com](mailto:info@k-rp.com) [www.k-rp.com](http://www.k-rp.com)

NSF COMPONENT    c UL US LISTED 7L35  
UL Energy Verified

