



KEH "C" Generation Condensing Units

PRODUCT DATA & SPECIFICATIONS

Bulletin K40-KEHC-PDS-4
Part # 1106701



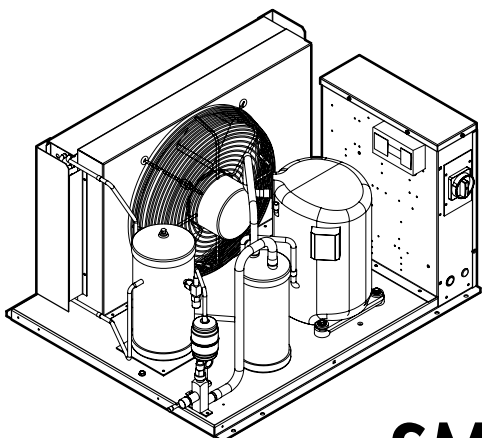
Indoor/Outdoor
Air-Cooled Hermetic
Condensing Units

1/2 to 3 HP -
Medium and Low
Temperature Refrigeration

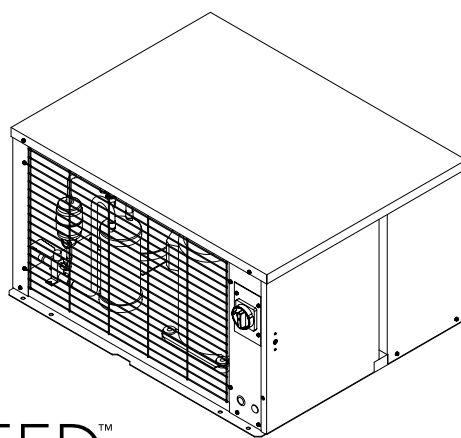
PRODUCT SUPPORT
web: www.k-rp.com/keh
email: smcu@k-rp.com
call: 1-844-893-3222 x521

scan:

INCLUDES MODELS FOR DOE & NRCAN
AWEF-EXEMPT APPLICATIONS



Indoor Unit



Outdoor Unit

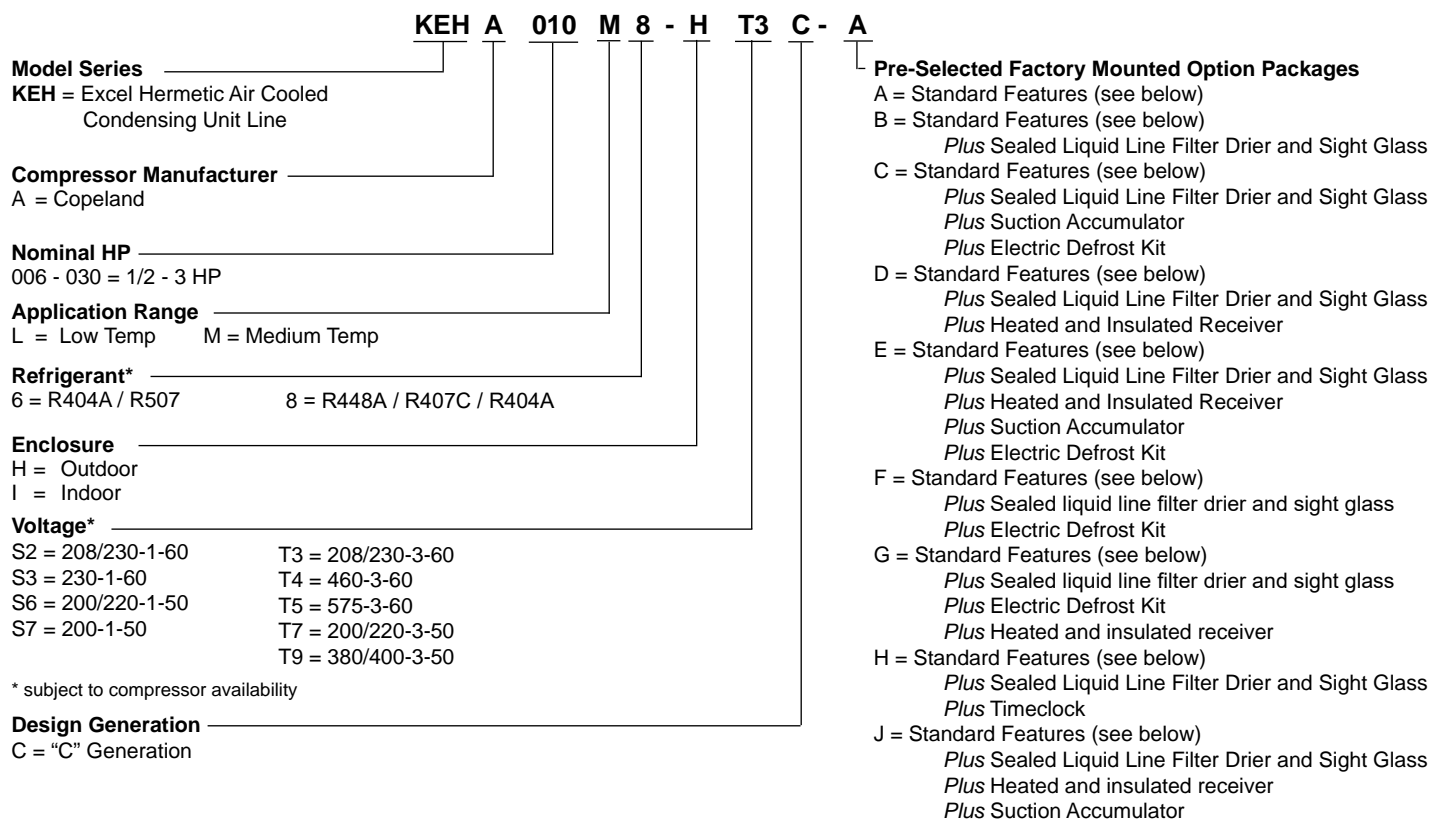
SMARTSPEED™

FAN MOTOR TECHNOLOGY
See Page 4 for details

CONTENTS

	Page
Nomenclature.....	2
Features, Options and Pre-Selected Option Packages.....	2 - 3
SMARTSPEED™ Fan Motor Technology	4
Capacity Data (Imperial and <i>Metric</i>).....	5 - 8
Electrical Data.....	9
Dimensional Data.....	10 - 12
Specifications.....	12
Wiring Diagrams.....	13 - 15
Wiring Diagrams - Models with SMARTSPEED™	16
Project Information.....	19
Product Support Resources.....	BACK

NOMENCLATURE



STANDARD FEATURES

Indoor Unit:

- Weatherproof electrical control box with compressor contactor and fused control circuit
- Welded-hermetic compressor
- High efficiency enhanced tube and fin condenser design
- Pre-formed piping
- Quiet fan motor operation
- Energy efficient PSC condenser fan motor
- Electrical control panel away from air flow stream
- Wide-open front design, spring latches and handle on 5Hp MT & HT or larger
- Unit leak tested and shipped with helium holding charge
- Painted cabinet

- Receiver with fusible plug and liquid shut off valve
- Suction service valve
- Copper tubing secured with cushion clamps
- Fixed high and low pressure control

Outdoor Unit: All Standard Features of Indoor Unit, Plus:

- Painted weather-resistant housing with removable hood
- Flooded head pressure control (non adjustable)
- Crankcase heater

KEH

PRE-SELECTED FACTORY MOUNTED OPTION PACKAGES

60Hz

Package A:

- Standard Features (see pg. 2)

Package B:

- Standard Features (see pg. 2)
- *Plus* Sealed Liquid Line Filter Drier & Sight Glass

Package C:

- Standard Features (see pg. 2)
- *Plus* Sealed Liquid Line Filter Drier & Sight Glass
- *Plus* Suction Accumulator
- *Plus* Electric Defrost Kit

Package D:

- Standard Features (see pg. 2)
- *Plus* Sealed Liquid Line Filter Drier & Sight Glass
- *Plus* Heated and Insulated Receiver

Package E:

- Standard Features (see pg. 2)
- *Plus* Sealed Liquid Line Filter Drier & Sight Glass
- *Plus* Heated and Insulated Receiver
- *Plus* Suction Accumulator
- *Plus* Electric Defrost Kit

Package F:

- Standard Features (see pg. 2)
- *Plus* Sealed liquid line filter drier and sight glass
- *Plus* Electric Defrost Kit

Package G:

- Standard Features (see pg. 2)
- *Plus* Sealed liquid line filter drier and sight glass
- *Plus* Electric Defrost Kit
- *Plus* Heated and insulated receiver

Package H:

- Standard Features (see pg. 2)
- *Plus* Sealed Liquid Line Filter Drier and Sight Glass
- *Plus* Timeclock

Package J:

- Standard Features (see pg. 2)
- *Plus* Sealed Liquid Line Filter Drier and Sight Glass
- *Plus* Heated and insulated receiver
- *Plus* Suction Accumulator

AVAILABLE OPTIONS

- Sealed suction filter
- Suction accumulator
- Suction accumulator with boil-out coil
- Heated and insulated receiver
- Sealed liquid line filter drier and sight glass
- Liquid line solenoid valve with 230-volt coil (shipped loose)
- Compressor circuit breaker
- Compressor time delay relay
- Variable speed EC motors only as head pressure control (see Bulletin K40-HPC-AG or <https://docs.k-rp.com/1101110.pdf> for details)
- QuickVac Evacuation and Refrigerant Recovery Valves
- **SmartSpeed Fan Motor Technology (see page 4)**
- Pump down toggle switch
- Electric defrost kit with mechanical time clock and contactors, as required
- Hoffman variable fan speed control
- Lockout control circuit relay (for liquid solenoid valve)
- Disconnect switch (fused or non-fused)
- Electronic phase / voltage monitor
- Leg kit or air discharge hood

US Patent No.
9,297,567

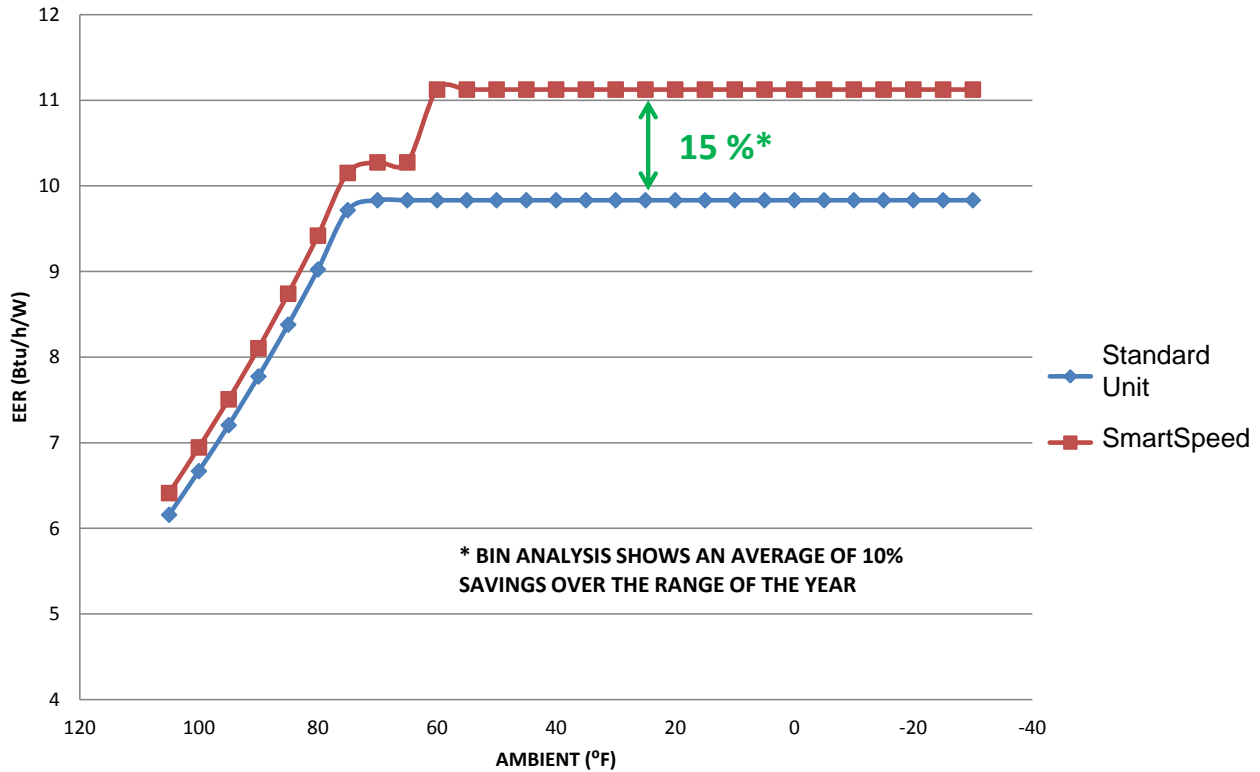
DESIGN FEATURES



• Available on 1/2 - 3.5 HP
Hermetic, Scroll or Semi-Hermetic Condensing Units

- No special controls required. No worries about wind or cold climates.
- Ambients above 55°F - EC motor operates at full speed, crankcase heater and heated + insulated receiver disabled from control circuit
- Ambients below 55°F - EC motor operates at low speed, crankcase heater and heated + insulated receiver enabled from control circuit

Condensing Unit EER - Standard Unit vs. SmartSpeed



**Refer to
Page 16
For Wiring
Details**

Condensing Unit with SmartSpeed Power Consumption Per Motor		
Chassis Size (see pages 10-12)	Ambients above 55°F. Fan Full Speed. Crankcase and Receiver Heaters Off.	Ambients below 55°F. Fan Low Speed. Crankcase and Receiver Heaters On.
A	102 W	19 W
B	168 W	37 W
C,D	362 W	76 W



CAPACITY DATA - R448A MEDIUM TEMPERATURE

60Hz

MODEL KEH	SATURATED SUCTION TEMPERATURE		CAPACITY BTU/H (WATTS) R448A AMBIENT TEMPERATURE °F (°C)							
	° F	° C	80 (26.6)	85 (29.4)	90 (32.2)	95 (35.0)	100 (37.8)	105 (40.6)	110 (43.3)	
KEHA006M8 Compressor Model RST45C1E	30	(-1.1)	7740 (2270)	7430 (2180)	7110 (2080)	6800 (1990)	6490 (1900)	6180 (1810)	5880 (1720)	
	25	(-3.9)	6920 (2030)	6640 (1950)	6360 (1860)	6080 (1780)	5800 (1700)	5510 (1610)	5240 (1540)	
	20	(-6.7)	6160 (1810)	5910 (1730)	5660 (1660)	5410 (1590)	5150 (1510)	4890 (1430)	4650 (1360)	
	15	(-9.4)	5460 (1600)	5240 (1540)	5010 (1470)	4790 (1400)	4570 (1340)	4340 (1270)	4120 (1210)	
	10	(-12.2)	4820 (1410)	4620 (1350)	4420 (1300)	4220 (1240)	4020 (1180)	3820 (1120)	3610 (1060)	
	5	(-15.0)	4230 (1240)	4050 (1190)	3890 (1140)	3710 (1090)	3530 (1030)	3350 (980)	3170 (930)	
	0	(-17.8)	3710 (1090)	3550 (1040)	3390 (990)	3240 (950)	3090 (910)	2930 (860)	2770 (810)	
	-5	(-20.6)	3050 (890)	2940 (860)	2840 (830)	2730 (800)	2520 (740)	2420 (710)	-	
	-10	(-23.3)	2630 (770)	2520 (740)	2420 (710)	2310 (680)	2210 (650)	-	-	
KEHA008M8 Compressor Model RST55C1E	30	(-1.1)	9030 (2650)	8650 (2540)	8270 (2420)	7900 (2320)	7520 (2200)	7140 (2090)	6770 (1980)	
	25	(-3.9)	8100 (2370)	7750 (2270)	7410 (2170)	7070 (2070)	6740 (1980)	6410 (1880)	6080 (1780)	
	20	(-6.7)	7220 (2120)	6910 (2030)	6620 (1940)	6320 (1850)	6020 (1760)	5720 (1680)	5430 (1590)	
	15	(-9.4)	6430 (1880)	6150 (1800)	5890 (1730)	5630 (1650)	5360 (1570)	5090 (1490)	4830 (1420)	
	10	(-12.2)	5690 (1670)	5460 (1600)	5220 (1530)	4990 (1460)	4760 (1400)	4530 (1330)	4280 (1250)	
	5	(-15.0)	5030 (1470)	4820 (1410)	4610 (1350)	4410 (1290)	4200 (1230)	3990 (1170)	3790 (1110)	
	0	(-17.8)	4430 (1300)	4240 (1240)	4050 (1190)	3890 (1140)	3700 (1080)	3520 (1030)	3330 (980)	
	-5	(-20.6)	3680 (1080)	3570 (1050)	3360 (980)	3260 (960)	3050 (890)	2940 (860)	-	
	-10	(-23.3)	3260 (960)	3150 (920)	2940 (860)	2840 (830)	-	-	-	
KEHA009M8 Compressor Model RST64C1E	30	(-1.1)	10600 (3110)	10170 (2980)	9790 (2870)	9390 (2750)	8990 (2630)	8590 (2520)	8190 (2400)	
	25	(-3.9)	9530 (2790)	9180 (2690)	8820 (2580)	8460 (2480)	8100 (2370)	7740 (2270)	7380 (2160)	
	20	(-6.7)	8580 (2510)	8260 (2420)	7940 (2330)	7610 (2230)	7290 (2140)	6950 (2040)	6640 (1950)	
	15	(-9.4)	7700 (2260)	7410 (2170)	7120 (2090)	6840 (2000)	6530 (1910)	6250 (1830)	5950 (1740)	
	10	(-12.2)	6890 (2020)	6630 (1940)	6370 (1870)	6110 (1790)	5850 (1710)	5590 (1640)	5330 (1560)	
	5	(-15.0)	6140 (1800)	5910 (1730)	5680 (1660)	5450 (1600)	5220 (1530)	4980 (1460)	4760 (1400)	
	0	(-17.8)	5450 (1600)	5250 (1540)	5040 (1480)	4850 (1420)	4640 (1360)	4430 (1300)	-	
	-5	(-20.6)	4940 (1450)	4730 (1390)	4520 (1320)	4410 (1290)	4200 (1230)	-	-	
	-10	(-23.3)	4310 (1260)	4200 (1230)	3990 (1170)	-	-	-	-	
KEHA010M8 Compressor Model RST70C1E	30	(-1.1)	11300 (3310)	10900 (3190)	10500 (3080)	10090 (2960)	9650 (2830)	9220 (2700)	8780 (2570)	
	25	(-3.9)	10370 (3040)	9990 (2930)	9600 (2810)	9190 (2690)	8790 (2580)	8390 (2460)	7980 (2340)	
	20	(-6.7)	9430 (2760)	9060 (2660)	8690 (2550)	8340 (2440)	7960 (2330)	7580 (2220)	7210 (2110)	
	15	(-9.4)	8520 (2500)	8180 (2400)	7850 (2300)	7510 (2200)	7170 (2100)	6830 (2000)	6480 (1900)	
	10	(-12.2)	7650 (2240)	7350 (2150)	7050 (2070)	6740 (1980)	6420 (1880)	6100 (1790)	5780 (1690)	
	5	(-15.0)	6840 (2000)	6560 (1920)	6290 (1840)	6000 (1760)	5700 (1670)	5420 (1590)	5110 (1500)	
	0	(-17.8)	6080 (1780)	5820 (1710)	5550 (1630)	5290 (1550)	5030 (1470)	4770 (1400)	-	
	-5	(-20.6)	5150 (1510)	4940 (1450)	4620 (1350)	4410 (1290)	4200 (1230)	-	-	
	-10	(-23.3)	4520 (1320)	4310 (1260)	4100 (1200)	3890 (1140)	-	-	-	
KEHA011M8 Compressor Model RST80C1E	30	(-1.1)	12900 (3780)	12500 (3660)	12100 (3550)	11600 (3400)	11000 (3220)	10600 (3110)	10080 (2950)	
	25	(-3.9)	11800 (3460)	11300 (3310)	10900 (3190)	10500 (3080)	10060 (2950)	9600 (2810)	9140 (2680)	
	20	(-6.7)	10700 (3140)	10340 (3030)	9930 (2910)	9520 (2790)	9100 (2670)	8660 (2540)	8230 (2410)	
	15	(-9.4)	9690 (2840)	9330 (2730)	8950 (2620)	8570 (2510)	8180 (2400)	7770 (2280)	7380 (2160)	
	10	(-12.2)	8700 (2550)	8370 (2450)	8020 (2350)	7670 (2250)	7300 (2140)	6940 (2030)	6560 (1920)	
	5	(-15.0)	7770 (2280)	7460 (2190)	7140 (2090)	6800 (1990)	6470 (1900)	6130 (1800)	5790 (1700)	
	0	(-17.8)	6900 (2020)	6600 (1930)	6300 (1850)	6010 (1760)	5690 (1670)	5390 (1580)	-	
	-5	(-20.6)	5990 (1760)	5780 (1690)	5460 (1600)	5250 (1540)	4940 (1450)	-	-	
	-10	(-23.3)	5250 (1540)	5040 (1480)	4730 (1390)	4520 (1320)	-	-	-	
KEHA013M8 Compressor Model RST97C1E	30	(-1.1)	15000 (4400)	14500 (4250)	14000 (4100)	13400 (3930)	12800 (3750)	12300 (3600)	11800 (3460)	
	25	(-3.9)	13800 (4040)	13200 (3870)	12700 (3720)	12300 (3600)	11800 (3460)	11200 (3280)	10700 (3140)	
	20	(-6.7)	12500 (3660)	12100 (3550)	11600 (3400)	11100 (3250)	10700 (3140)	10200 (2990)	9720 (2850)	
	15	(-9.4)	11300 (3310)	10900 (3190)	10500 (3080)	10060 (2950)	9630 (2820)	9200 (2700)	8760 (2570)	
	10	(-12.2)	10190 (2990)	9800 (2870)	9420 (2760)	9020 (2640)	8630 (2530)	8230 (2410)	7830 (2290)	
	5	(-15.0)	9100 (2670)	8760 (2570)	8400 (2460)	8040 (2360)	7680 (2250)	7310 (2140)	6940 (2030)	
	0	(-17.8)	8090 (2370)	7780 (2280)	7440 (2180)	7120 (2090)	6780 (1990)	6440 (1890)	6100 (1790)	
	-5	(-20.6)	6930 (2030)	6620 (1940)	6410 (1880)	6090 (1780)	5780 (1690)	5460 (1600)	-	
	-10	(-23.3)	6090 (1780)	5780 (1690)	5570 (1630)	5250 (1540)	-	-	-	

NOTES:

- Above ratings are based on mean temperature.
- To convert to dew point ratings, use 0.95 multiplier.
- For R449A, use R448A data.



CAPACITY DATA - R407C MEDIUM TEMPERATURE

60Hz

MODEL KEH	SATURATED SUCTION TEMPERATURE		CAPACITY BTU/H (WATTS) R407C AMBIENT TEMPERATURE °F (°C)							
	° F	° C	80 (26.6)	85 (29.4)	90 (32.2)	95 (35.0)	100 (37.8)	105 (40.6)	110 (43.3)	
KEHA006M8 Compressor Model RST45C1E	45 (7.2)		10010 (2930)	9630 (2820)	9250 (2710)	8860 (2600)	8490 (2490)	8120 (2380)	7730 (2270)	
	40 (4.4)		9070 (2660)	8740 (2560)	8380 (2460)	8030 (2350)	7690 (2250)	7340 (2150)	7000 (2050)	
	35 (1.7)		8180 (2400)	7880 (2310)	7550 (2210)	7250 (2120)	6920 (2030)	6620 (1940)	6310 (1850)	
	30 (-1.1)		7340 (2150)	7060 (2070)	6770 (1980)	6490 (1900)	6210 (1820)	5930 (1740)	5650 (1660)	
	25 (-3.9)		6550 (1920)	6300 (1850)	6040 (1770)	5790 (1700)	5530 (1620)	5280 (1550)	5030 (1470)	
	20 (-6.7)		5810 (1700)	5590 (1640)	5360 (1570)	5120 (1500)	4890 (1430)	4670 (1370)	4450 (1300)	
	15 (-9.4)		5130 (1500)	4940 (1450)	4730 (1390)	4530 (1330)	4330 (1270)	4120 (1210)	3920 (1150)	
10 (-12.2)		4540 (1330)	4350 (1270)	4160 (1220)	3970 (1160)	3790 (1110)	3600 (1060)	3430 (1010)		
KEHA008M8 Compressor Model RST55C1E	45 (7.2)		11800 (3460)	11200 (3280)	10800 (3170)	10370 (3040)	9910 (2900)	9460 (2770)	8990 (2630)	
	40 (4.4)		10600 (3110)	10230 (3000)	9830 (2880)	9420 (2760)	9000 (2640)	8580 (2510)	8150 (2390)	
	35 (1.7)		9620 (2820)	9250 (2710)	8870 (2600)	8510 (2490)	8130 (2380)	7750 (2270)	7360 (2160)	
	30 (-1.1)		8650 (2540)	8330 (2440)	7990 (2340)	7650 (2240)	7310 (2140)	6970 (2040)	6630 (1940)	
	25 (-3.9)		7750 (2270)	7460 (2190)	7150 (2100)	6860 (2010)	6550 (1920)	6250 (1830)	5930 (1740)	
	20 (-6.7)		6910 (2030)	6650 (1950)	6380 (1870)	6120 (1790)	5850 (1710)	5570 (1630)	5290 (1550)	
	15 (-9.4)		6140 (1800)	5900 (1730)	5670 (1660)	5430 (1590)	5200 (1520)	4940 (1450)	4690 (1370)	
10 (-12.2)		5420 (1590)	5220 (1530)	5010 (1470)	4800 (1410)	4580 (1340)	4370 (1280)	4150 (1220)		
KEHA009M8 Compressor Model RST64C1E	45 (7.2)		13900 (4070)	13300 (3900)	12800 (3750)	12200 (3580)	11700 (3430)	11100 (3250)	10600 (3110)	
	40 (4.4)		12600 (3690)	12200 (3580)	11700 (3430)	11100 (3250)	10600 (3110)	10120 (2970)	9610 (2820)	
	35 (1.7)		11400 (3340)	11000 (3220)	10600 (3110)	10110 (2960)	9650 (2830)	9190 (2690)	8720 (2560)	
	30 (-1.1)		10360 (3040)	9960 (2920)	9560 (2800)	9140 (2680)	8720 (2560)	8300 (2430)	7880 (2310)	
	25 (-3.9)		9320 (2730)	8960 (2630)	8590 (2520)	8220 (2410)	7840 (2300)	7470 (2190)	7090 (2080)	
	20 (-6.7)		8340 (2440)	8010 (2350)	7690 (2250)	7350 (2150)	7010 (2050)	6680 (1960)	6340 (1860)	
	15 (-9.4)		7420 (2170)	7140 (2090)	6850 (2010)	6540 (1920)	6250 (1830)	5950 (1740)	5650 (1660)	
10 (-12.2)		6570 (1930)	6310 (1850)	6060 (1780)	5800 (1700)	5530 (1620)	5260 (1540)	5000 (1470)		
KEHA010M8 Compressor Model RST70C1E	45 (7.2)		14800 (4340)	14300 (4190)	13700 (4020)	13100 (3840)	12500 (3660)	12000 (3520)	11300 (3310)	
	40 (4.4)		13500 (3960)	13000 (3810)	12500 (3660)	12000 (3520)	11400 (3340)	10900 (3190)	10350 (3030)	
	35 (1.7)		12300 (3600)	11800 (3460)	11300 (3310)	10900 (3190)	10400 (3050)	9920 (2910)	9430 (2760)	
	30 (-1.1)		11100 (3250)	10700 (3140)	10280 (3010)	9860 (2890)	9430 (2760)	9000 (2640)	8550 (2510)	
	25 (-3.9)		10020 (2940)	9660 (2830)	9280 (2720)	8890 (2610)	8520 (2500)	8130 (2380)	7730 (2270)	
	20 (-6.7)		9010 (2640)	8670 (2540)	8350 (2450)	8000 (2340)	7650 (2240)	7310 (2140)	6950 (2040)	
	15 (-9.4)		8070 (2370)	7760 (2270)	7470 (2190)	7150 (2100)	6850 (2010)	6530 (1910)	6210 (1820)	
10 (-12.2)		7180 (2100)	6900 (2020)	6630 (1940)	6350 (1860)	6080 (1780)	5790 (1700)	5500 (1610)		
KEHA011M8 Compressor Model RST80C1E	45 (7.2)		17000 (4980)	16400 (4810)	15800 (4630)	15100 (4430)	14500 (4250)	13800 (4040)	13100 (3840)	
	40 (4.4)		15500 (4540)	14900 (4370)	14400 (4220)	13800 (4040)	13100 (3840)	12600 (3690)	12000 (3520)	
	35 (1.7)		14100 (4130)	13500 (3960)	13000 (3810)	12500 (3660)	12000 (3520)	11400 (3340)	10800 (3170)	
	30 (-1.1)		12700 (3720)	12300 (3600)	11800 (3460)	11300 (3310)	10800 (3170)	10330 (3030)	9820 (2880)	
	25 (-3.9)		11400 (3340)	11000 (3220)	10600 (3110)	10200 (2990)	9770 (2860)	9320 (2730)	8860 (2600)	
	20 (-6.7)		10320 (3020)	9930 (2910)	9540 (2800)	9160 (2680)	8770 (2570)	8370 (2450)	7960 (2330)	
	15 (-9.4)		9230 (2710)	8880 (2600)	8540 (2500)	8180 (2400)	7830 (2290)	7480 (2190)	7110 (2080)	
10 (-12.2)		8200 (2400)	7890 (2310)	7570 (2220)	7260 (2130)	6940 (2030)	6620 (1940)	6290 (1840)		
KEHA013M8 Compressor Model RST97C1E	45 (7.2)		20300 (5950)	19500 (5710)	18800 (5510)	18100 (5300)	17200 (5040)	16500 (4840)	15800 (4630)	
	40 (4.4)		18400 (5390)	17700 (5190)	17000 (4980)	16400 (4810)	15600 (4570)	15000 (4400)	14300 (4190)	
	35 (1.7)		16600 (4860)	16100 (4720)	15400 (4510)	14800 (4340)	14200 (4160)	13500 (3960)	12900 (3780)	
	30 (-1.1)		15000 (4400)	14500 (4250)	13900 (4070)	13300 (3900)	12800 (3750)	12200 (3580)	11700 (3430)	
	25 (-3.9)		13400 (3930)	13000 (3810)	12500 (3660)	12000 (3520)	11600 (3400)	11000 (3220)	10480 (3070)	
	20 (-6.7)		12100 (3550)	11700 (3430)	11200 (3280)	10700 (3140)	10300 (3020)	9850 (2890)	9390 (2750)	
	15 (-9.4)		10800 (3170)	10370 (3040)	9980 (2920)	9590 (2810)	9180 (2690)	8770 (2570)	8360 (2450)	
10 (-12.2)		9570 (2800)	9210 (2700)	8850 (2590)	8490 (2490)	8130 (2380)	7760 (2270)	7380 (2160)		

NOTES: - Above ratings are based on mean temperature.
 - To convert to dew point ratings, use 0.95 multiplier.



CAPACITY DATA - R404A R507

MEDIUM TEMPERATURE

60Hz

MODEL KEH	SATURATED SUCTION TEMPERATURE		CAPACITY BTU/H (WATTS)								R404A R507			AMBIENT TEMPERATURE °F (°C)					
	° F	° C	80 (26.6)	85 (29.4)	90 (32.2)	95 (35.0)	100 (37.8)	105 (40.6)	110 (43.3)	80 (26.6)	85 (29.4)	90 (32.2)	95 (35.0)	100 (37.8)	105 (40.6)	110 (43.3)			
KEHA006M8 Compressor Model RST45C1E*	30 (-1.1)		7970 (2335)	7620 (2233)	7260 (2127)	6890 (2019)	6520 (1910)	6130 (1796)	5740 (1682)	7970 (2335)	7620 (2233)	7260 (2127)	6890 (2019)	6520 (1910)	6130 (1796)	5740 (1682)			
	25 (-3.9)		7290 (2136)	6970 (2042)	6650 (1948)	6310 (1849)	5960 (1746)	5620 (1647)	5260 (1541)	7290 (2136)	6970 (2042)	6650 (1948)	6310 (1849)	5960 (1746)	5620 (1647)	5260 (1541)			
	20 (-6.7)		6650 (1948)	6350 (1861)	6060 (1776)	5750 (1685)	5450 (1597)	5120 (1500)	4810 (1409)	6650 (1948)	6350 (1861)	6060 (1776)	5750 (1685)	5450 (1597)	5120 (1500)	4810 (1409)			
	15 (-9.4)		6040 (1770)	5780 (1694)	5500 (1612)	5230 (1532)	4950 (1450)	4660 (1365)	4370 (1280)	6040 (1770)	5780 (1694)	5500 (1612)	5230 (1532)	4950 (1450)	4660 (1365)	4370 (1280)			
	10 (-12.2)		5450 (1597)	5220 (1529)	4970 (1456)	4730 (1386)	4470 (1310)	4210 (1234)	3950 (1157)	5450 (1597)	5220 (1529)	4970 (1456)	4730 (1386)	4470 (1310)	4210 (1234)	3950 (1157)			
	5 (-15.0)		4890 (1433)	4680 (1371)	4460 (1307)	4240 (1242)	4010 (1175)	3780 (1108)	3540 (1037)	4890 (1433)	4680 (1371)	4460 (1307)	4240 (1242)	4010 (1175)	3780 (1108)	3540 (1037)			
	0 (-17.8)		4370 (1280)	4170 (1222)	3970 (1163)	3770 (1105)	3570 (1046)	3350 (982)	3140 (920)	4370 (1280)	4170 (1222)	3970 (1163)	3770 (1105)	3570 (1046)	3350 (982)	3140 (920)			
KEHA008M8 Compressor Model RST55C1E*	30 (-1.1)		9400 (2754)	8930 (2616)	8450 (2476)	7990 (2341)	7520 (2203)	7060 (2069)	6600 (1934)	9400 (2754)	8930 (2616)	8450 (2476)	7990 (2341)	7520 (2203)	7060 (2069)	6600 (1934)			
	25 (-3.9)		8650 (2534)	8210 (2406)	7770 (2277)	7340 (2151)	6900 (2022)	6470 (1896)	6050 (1773)	8650 (2534)	8210 (2406)	7770 (2277)	7340 (2151)	6900 (2022)	6470 (1896)	6050 (1773)			
	20 (-6.7)		7930 (2323)	7520 (2203)	7110 (2083)	6700 (1963)	6300 (1846)	5900 (1729)	5500 (1612)	7930 (2323)	7520 (2203)	7110 (2083)	6700 (1963)	6300 (1846)	5900 (1729)	5500 (1612)			
	15 (-9.4)		7220 (2115)	6850 (2007)	6470 (1896)	6090 (1784)	5720 (1676)	5360 (1570)	4990 (1462)	7220 (2115)	6850 (2007)	6470 (1896)	6090 (1784)	5720 (1676)	5360 (1570)	4990 (1462)			
	10 (-12.2)		6550 (1919)	6210 (1820)	5860 (1717)	5510 (1614)	5170 (1515)	4830 (1415)	4490 (1316)	6550 (1919)	6210 (1820)	5860 (1717)	5510 (1614)	5170 (1515)	4830 (1415)	4490 (1316)			
	5 (-15.0)		5910 (1732)	5600 (1641)	5270 (1544)	4960 (1453)	4640 (1360)	4330 (1269)	4020 (1178)	5910 (1732)	5600 (1641)	5270 (1544)	4960 (1453)	4640 (1360)	4330 (1269)	4020 (1178)			
	0 (-17.8)		5300 (1553)	5020 (1471)	4730 (1386)	4430 (1298)	4150 (1216)	3860 (1131)	3590 (1052)	5300 (1553)	5020 (1471)	4730 (1386)	4430 (1298)	4150 (1216)	3860 (1131)	3590 (1052)			
KEHA009M8 Compressor Model RST64C1E*	30 (-1.1)		10500 (3080)	10100 (2960)	9640 (2830)	9200 (2700)	8730 (2560)	8260 (2420)	7790 (2280)	10500 (3080)	10100 (2960)	9640 (2830)	9200 (2700)	8730 (2560)	8260 (2420)	7790 (2280)			
	25 (-3.9)		9720 (2850)	9330 (2730)	8910 (2610)	8500 (2490)	8080 (2370)	7650 (2240)	7220 (2120)	9720 (2850)	9330 (2730)	8910 (2610)	8500 (2490)	8080 (2370)	7650 (2240)	7220 (2120)			
	20 (-6.7)		8940 (2620)	8580 (2510)	8210 (2410)	7830 (2290)	7440 (2180)	7050 (2070)	6640 (1950)	8940 (2620)	8580 (2510)	8210 (2410)	7830 (2290)	7440 (2180)	7050 (2070)	6640 (1950)			
	15 (-9.4)		8190 (2400)	7860 (2300)	7520 (2200)	7170 (2100)	6800 (1990)	6440 (1890)	6080 (1780)	8190 (2400)	7860 (2300)	7520 (2200)	7170 (2100)	6800 (1990)	6440 (1890)	6080 (1780)			
	10 (-12.2)		7460 (2190)	7160 (2100)	6830 (2000)	6510 (1910)	6190 (1810)	5860 (1720)	5530 (1620)	7460 (2190)	7160 (2100)	6830 (2000)	6510 (1910)	6190 (1810)	5860 (1720)	5530 (1620)			
	5 (-15.0)		6740 (1980)	6460 (1890)	6180 (1810)	5890 (1730)	5590 (1640)	5290 (1550)	4990 (1460)	6740 (1980)	6460 (1890)	6180 (1810)	5890 (1730)	5590 (1640)	5290 (1550)	4990 (1460)			
	0 (-17.8)		6070 (1780)	5810 (1700)	5550 (1630)	5280 (1550)	5000 (1470)	4730 (1390)	4470 (1310)	6070 (1780)	5810 (1700)	5550 (1630)	5280 (1550)	5000 (1470)	4730 (1390)	4470 (1310)			
KEHA010M8 Compressor Model RST70C1E	30 (-1.1)		11600 (3400)	11100 (3253)	10600 (3107)	10100 (2960)	9620 (2819)	9120 (2673)	8610 (2523)	11600 (3400)	11100 (3253)	10600 (3107)	10100 (2960)	9620 (2819)	9120 (2673)	8610 (2523)			
	25 (-3.9)		10700 (3136)	10200 (2989)	9790 (2869)	9350 (2740)	8880 (2602)	8430 (2471)	7960 (2333)	10700 (3136)	10200 (2989)	9790 (2869)	9350 (2740)	8880 (2602)	8430 (2471)	7960 (2333)			
	20 (-6.7)		9790 (2869)	9390 (2752)	8990 (2635)	8580 (2515)	8160 (2391)	7740 (2268)	7250 (2125)	9790 (2869)	9390 (2752)	8990 (2635)	8580 (2515)	8160 (2391)	7740 (2268)	7250 (2125)			
	15 (-9.4)		8940 (2620)	8580 (2515)	8200 (2403)	7770 (2277)	7390 (2166)	7000 (2051)	6600 (1934)	8940 (2620)	8580 (2515)	8200 (2403)	7770 (2277)	7390 (2166)	7000 (2051)	6600 (1934)			
	10 (-12.2)		8070 (2365)	7740 (2268)	7400 (2169)	7060 (2069)	6710 (1966)	6340 (1858)	5990 (1755)	8070 (2365)	7740 (2268)	7400 (2169)	7060 (2069)	6710 (1966)	6340 (1858)	5990 (1755)			
	5 (-15.0)		7280 (2134)	6970 (2043)	6670 (1955)	6350 (1861)	6030 (1767)	5700 (1670)	5380 (1577)	7280 (2134)	6970 (2043)	6670 (1955)	6350 (1861)	6030 (1767)	5700 (1670)	5380 (1577)			
	0 (-17.8)		6510 (1908)	6240 (1829)	5950 (1744)	5670 (1662)	5330 (1562)	5040 (1477)	4740 (1389)	6510 (1908)	6240 (1829)	5950 (1744)	5670 (1662)	5330 (1562)	5040 (1477)	4740 (1389)			
KEHA011M8 Compressor Model RST80C1E	30 (-1.1)		13300 (3900)	12800 (3750)	12200 (3580)	11600 (3400)	11100 (3250)	10500 (3080)	9890 (2900)	13300 (3900)	12800 (3750)	12200 (3580)	11600 (3400)	11100 (3250)	10500 (3080)	9890 (2900)			
	25 (-3.9)		12200 (3580)	11700 (3430)	11200 (3280)	10700 (3140)	10200 (2990)	9630 (2820)	9060 (2660)	12200 (3580)	11700 (3430)	11200 (3280)	10700 (3140)	10200 (2990)	9630 (2820)	9060 (2660)			
	20 (-6.7)		11200 (3280)	10800 (3170)	10300 (3020)	9820 (2880)	9310 (2730)	8800 (2580)	8280 (2430)	11200 (3280)	10800 (3170)	10300 (3020)	9820 (2880)	9310 (2730)	8800 (2580)	8280 (2430)			
	15 (-9.4)		10300 (3020)	9840 (2880)	9390 (2750)	8940 (2620)	8480 (2490)	8000 (2340)	7520 (2200)	10300 (3020)	9840 (2880)	9390 (2750)	8940 (2620)	8480 (2490)	8000 (2340)	7520 (2200)			
	10 (-12.2)		9330 (2730)	8940 (2620)	8530 (2500)	8110 (2380)	7670 (2250)	7240 (2120)	6800 (1990)	9330 (2730)	8940 (2620)	8530 (2500)	8110 (2380)	7670 (2250)	7240 (2120)	6800 (1990)			
	5 (-15.0)		8440 (2470)	8080 (2370)	7690 (2250)	7310 (2140)	6910 (2030)	6510 (1910)	6110 (1790)	8440 (2470)	8080 (2370)	7690 (2250)	7310 (2140)	6910 (2030)	6510 (1910)	6110 (1790)			
	0 (-17.8)		7590 (2220)	7250 (2120)	6910 (2030)	6550 (1920)	6190 (1810)	5820 (1710)	5460 (1600)	7590 (2220)	7250 (2120)	6910 (2030)	6550 (1920)	6190 (1810)	5820 (1710)	5460 (1600)			
KEHA013M8 Compressor Model RST97C1E	30 (-1.1)		15600 (4570)	15000 (4400)	14400 (4220)	13800 (4040)	13100 (3840)	12400 (3630)	11700 (3430)	15600 (4570)	15000 (4400)	14400 (4220)	13800 (4040)	13100 (3840)	12400 (3630)	11700 (3430)			
	25 (-3.9)		14400 (4220)	13900 (4070)	13300 (3900)	12700 (3720)	12100 (3550)	11500 (3370)	10800 (3170)	14400 (4220)	13900 (4070)	13300 (3900)	12700 (3720)	12100 (3550)	11500 (3370)	10800 (3170)			
	20 (-6.7)		13200 (3870)	12700 (3720)	12200 (3580)	11700 (3430)	11100 (3250)	10500 (3080)	9930 (2910)	13200 (3870)	12700 (3720)	12200 (3580)	11700 (3430)	11100 (3250)	10500 (3080)	9930 (2910)			
	15 (-9.4)		12100 (3550)	11600 (3400)	11100 (3250)	10600 (3110)	10100 (2960)	9580 (2810)	9030 (2650)	12100 (3550)	11600 (3400)	11100 (3250)	10600 (3110)	10100 (2960)	9580 (2810)	9030 (2650)			
	10 (-12.2)		11000 (3220)	10500 (3080)	10100 (2960)	9630 (2820)	9160 (2680)	8660 (2540)	8170 (2390)	11000 (3220)	10500 (3080)	10100 (2960)	9630 (2820)	9160 (2680)	8660 (2540)	8170 (2390)			
	5 (-15.0)		9890 (2900)	9500 (2780)	9090 (2660)	8660 (2540)	8230 (2410)	7780 (2280)	7320 (2150)	9890 (2900)	9500 (2780)	9090 (2660)	8660 (2540)	8230 (2410)	7780 (2280)	7320 (2150)			
	0 (-17.8)		8860 (2600)	8510 (2490)	8130 (2380)	7740 (2270)	7330 (2150)	6920 (2030)	6510 (1910)	8860 (2600)	8510 (2490)	8130 (2380)	7740 (2270)	7330 (2150)	6920 (2030)	6510 (1910)			

--- Outside Operating Range † Max 40°F RGT * Not suitable for use with R-507



CAPACITY DATA - R404A R507

LOW TEMPERATURE

60Hz

MODEL KEH	SATURATED SUCTION TEMPERATURE		CAPACITY BTU/H (WATTS) R404A R507 AMBIENT TEMPERATURE °F (°C)												
	° F	° C	80 (26.6)	85 (29.4)	90 (32.2)	95 (35)	100 (37.8)	105 (40.6)	110 (43.3)						
KEHA006L6 Compressor Model RFT22C1E	10	(-12.2)	5580 (1635)	5380 (1577)	5160 (1512)	4940 (1448)	4690 (1374)	4460 (1307)	4200 (1231)	4000 (1172)	3770 (1105)	3530 (1035)	3320 (973)	2920 (856)	2550 (747)
	5	(-15.0)	5030 (1474)	4840 (1418)	4650 (1363)	4440 (1301)	4220 (1237)	4000 (1172)	3770 (1105)	3530 (1035)	3320 (973)	3120 (914)	2920 (856)	2730 (800)	2550 (747)
	0	(-17.8)	4500 (1319)	4340 (1272)	4160 (1219)	3970 (1163)	3770 (1105)	3530 (1035)	3320 (973)	3120 (914)	2920 (856)	2730 (800)	2550 (747)	2370 (695)	2220 (651)
	-5	(-20.6)	4010 (1175)	3820 (1120)	3660 (1073)	3490 (1023)	3310 (970)	3120 (914)	2920 (856)	2730 (800)	2550 (747)	2370 (695)	2220 (651)	2040 (598)	1890 (554)
	-10	(-23.3)	3540 (1037)	3370 (988)	3220 (944)	3070 (900)	2910 (853)	2730 (800)	2550 (747)	2370 (695)	2220 (651)	2040 (598)	1890 (554)	1720 (504)	1610 (472)
	-15	(-26.1)	3100 (909)	2950 (865)	2810 (824)	2680 (785)	2520 (739)	2370 (695)	2220 (651)	2040 (598)	1890 (554)	1720 (504)	1610 (472)	1430 (419)	1320 (387)
	-20	(-28.9)	2690 (788)	2550 (747)	2430 (712)	2300 (674)	2170 (636)	2040 (598)	1890 (554)	1720 (504)	1610 (472)	1430 (419)	1320 (387)	1150 (332)	1040 (300)
	-25	(-31.7)	2300 (674)	2180 (639)	2070 (607)	1960 (574)	1850 (542)	1720 (504)	1610 (472)	1430 (419)	1320 (387)	1150 (332)	1040 (300)	880 (255)	770 (223)
-30	(-34.4)	1940 (569)	1840 (539)	1740 (510)	1650 (484)	1540 (451)	1430 (419)	1320 (387)	1150 (332)	1040 (300)	880 (255)	770 (223)	610 (178)	500 (146)	
KEHA008L6 Compressor Model RFT26C1E	10	(-12.2)	6570 (1925)	6310 (1849)	6040 (1770)	5760 (1688)	5500 (1612)	5170 (1515)	4900 (1436)	4660 (1366)	4400 (1290)	4180 (1225)	3940 (1155)	3510 (1029)	3090 (906)
	5	(-15.0)	5950 (1744)	5660 (1659)	5420 (1588)	5170 (1515)	4900 (1436)	4660 (1366)	4400 (1290)	4180 (1225)	3940 (1155)	3720 (1090)	3510 (1029)	3290 (964)	3090 (906)
	0	(-17.8)	5310 (1556)	5090 (1492)	4870 (1427)	4640 (1360)	4400 (1290)	4180 (1225)	3940 (1155)	3720 (1090)	3510 (1029)	3290 (964)	3090 (906)	2850 (835)	2680 (785)
	-5	(-20.6)	4760 (1395)	4550 (1333)	4350 (1275)	4140 (1213)	3930 (1152)	3720 (1090)	3510 (1029)	3290 (964)	3090 (906)	2850 (835)	2680 (785)	2470 (724)	2310 (677)
	-10	(-23.3)	4220 (1237)	4040 (1184)	3850 (1128)	3660 (1073)	3470 (1017)	3290 (964)	3090 (906)	2850 (835)	2680 (785)	2470 (724)	2310 (677)	2110 (618)	1980 (580)
	-15	(-26.1)	3720 (1090)	3550 (1040)	3380 (991)	3190 (935)	3010 (882)	2850 (835)	2680 (785)	2470 (724)	2310 (677)	2110 (618)	1980 (580)	1790 (525)	1670 (489)
	-20	(-28.9)	3240 (950)	3080 (903)	2930 (859)	2770 (812)	2610 (765)	2470 (724)	2310 (677)	2110 (618)	1980 (580)	1790 (525)	1670 (489)	1500 (440)	1380 (402)
	-25	(-31.7)	2800 (821)	2660 (780)	2520 (739)	2380 (698)	2250 (659)	2110 (618)	1980 (580)	1790 (525)	1670 (489)	1500 (440)	1380 (402)	1210 (357)	1090 (321)
-30	(-34.4)	2390 (700)	2260 (662)	2140 (627)	2030 (595)	1910 (560)	1790 (525)	1670 (489)	1500 (440)	1380 (402)	1210 (357)	1090 (321)	920 (276)	800 (240)	
KEHA010L6 Compressor Model CF04K6E*	10	(-12.2)	11200 (3283)	10500 (3077)	9740 (2855)	9010 (2641)	8270 (2424)	7540 (2210)	6810 (1996)	6100 (1786)	5400 (1586)	4700 (1382)	4000 (1178)	3300 (966)	2600 (756)
	5	(-15.0)	9850 (2887)	9200 (2696)	8550 (2506)	7880 (2309)	7200 (2110)	6540 (1917)	5880 (1723)	5200 (1528)	4500 (1324)	3800 (1120)	3100 (916)	2400 (706)	1700 (500)
	0	(-17.8)	8640 (2532)	8060 (2362)	7470 (2189)	6870 (2013)	6260 (1835)	5660 (1659)	5060 (1483)	4460 (1307)	3860 (1131)	3260 (955)	2660 (780)	2060 (604)	1460 (420)
	-5	(-20.6)	7560 (2216)	7040 (2063)	6500 (1905)	5960 (1747)	5420 (1589)	4870 (1427)	4340 (1272)	3800 (1116)	3260 (955)	2720 (794)	2180 (630)	1640 (468)	1100 (308)
	-10	(-23.3)	6570 (1926)	6110 (1791)	5630 (1650)	5150 (1509)	4660 (1366)	4170 (1222)	3700 (1077)	3260 (955)	2820 (822)	2380 (698)	1940 (561)	1500 (420)	1060 (300)
	-15	(-26.1)	5680 (1665)	5260 (1542)	4830 (1416)	4400 (1290)	3970 (1164)	3540 (1038)	3120 (914)	2700 (794)	2280 (674)	1860 (554)	1440 (432)	1020 (300)	600 (168)
	-20	(-28.9)	4840 (1419)	4470 (1310)	4100 (1202)	3710 (1087)	3320 (973)	2940 (862)	2570 (753)	2150 (651)	1740 (554)	1330 (458)	920 (276)	510 (146)	100 (28)
	-25	(-31.7)	4040 (1184)	3720 (1090)	3370 (988)	3030 (888)	2690 (788)	2360 (692)	2050 (601)	1640 (500)	1230 (357)	820 (255)	410 (116)	10 (3)	0 (0)
-30	(-34.4)	3240 (950)	2960 (868)	2660 (780)	2350 (689)	2060 (604)	1770 (519)	1500 (440)	1100 (321)	700 (200)	300 (83)	0 (0)	0 (0)	0 (0)	
KEHA015L6 Compressor Model CF06K6E*	10	(-12.2)	13500 (3956)	12700 (3721)	11900 (3487)	11100 (3252)	10300 (3018)	9540 (2795)	8740 (2561)	8020 (2350)	7270 (2130)	6490 (1902)	5700 (1670)	4920 (1442)	4160 (1219)
	5	(-15.0)	12400 (3633)	11700 (3428)	11000 (3223)	10200 (2989)	9490 (2781)	8760 (2567)	8020 (2350)	7270 (2130)	6490 (1902)	5700 (1670)	4920 (1442)	4160 (1219)	3300 (966)
	0	(-17.8)	11300 (3311)	10600 (3106)	9960 (2918)	9290 (2722)	8610 (2523)	7940 (2326)	7270 (2130)	6490 (1902)	5700 (1670)	4920 (1442)	4160 (1219)	3300 (966)	2500 (728)
	-5	(-20.6)	10200 (2989)	9580 (2807)	8950 (2622)	8330 (2441)	7720 (2262)	7100 (2080)	6490 (1902)	5700 (1670)	4920 (1442)	4160 (1219)	3300 (966)	2500 (728)	1700 (500)
	-10	(-23.3)	9060 (2655)	8490 (2488)	7930 (2323)	7360 (2156)	6800 (1992)	6250 (1831)	5700 (1670)	4920 (1442)	4160 (1219)	3300 (966)	2500 (728)	1700 (500)	900 (255)
	-15	(-26.1)	7950 (2329)	7420 (2174)	6910 (2025)	6390 (1872)	5900 (1729)	5410 (1585)	4920 (1442)	4160 (1219)	3300 (966)	2500 (728)	1700 (500)	900 (255)	100 (28)
	-20	(-28.9)	6860 (2010)	6380 (1869)	5910 (1732)	5460 (1600)	5010 (1468)	4580 (1342)	4160 (1219)	3300 (966)	2500 (728)	1700 (500)	900 (255)	100 (28)	0 (0)
	-25	(-31.7)	5820 (1705)	5390 (1579)	4970 (1456)	4560 (1336)	4170 (1222)	3800 (1113)	3440 (1008)	2780 (815)	2180 (630)	1580 (458)	100 (28)	0 (0)	0 (0)
-30	(-34.4)	4850 (1421)	4450 (1304)	4070 (1193)	3730 (1093)	3390 (993)	3080 (902)	2780 (815)	2180 (630)	1580 (458)	100 (28)	0 (0)	0 (0)	0 (0)	
KEHA020L6 Compressor Model CF06K6E*	10	(-12.2)	15200 (4455)	14300 (4191)	13500 (3957)	12700 (3722)	11800 (3458)	11000 (3224)	10100 (2960)	9170 (2688)	8210 (2406)	7270 (2131)	6320 (1852)	5420 (1586)	4520 (1325)
	5	(-15.0)	13900 (4074)	13100 (3839)	12300 (3605)	11500 (3370)	10700 (3136)	9950 (2916)	9170 (2688)	8210 (2406)	7270 (2131)	6320 (1852)	5420 (1586)	4520 (1325)	3600 (1020)
	0	(-17.8)	12500 (3664)	11800 (3458)	11100 (3253)	10400 (3048)	9660 (2831)	8940 (2620)	8210 (2406)	7270 (2131)	6320 (1852)	5420 (1586)	4520 (1325)	3600 (1020)	2700 (770)
	-5	(-20.6)	11200 (3283)	10600 (3107)	9890 (2899)	9230 (2705)	8580 (2515)	7920 (2321)	7270 (2131)	6320 (1852)	5420 (1586)	4520 (1325)	3600 (1020)	2700 (770)	1800 (516)
	-10	(-23.3)	9910 (2904)	9300 (2726)	8690 (2547)	8100 (2374)	7500 (2198)	6910 (2025)	6320 (1852)	5420 (1586)	4520 (1325)	3600 (1020)	2700 (770)	1800 (516)	900 (255)
	-15	(-26.1)	8640 (2532)	8070 (2365)	7530 (2207)	6980 (2046)	6450 (1890)	5920 (1735)	5400 (1586)	4520 (1325)	3600 (1020)	2700 (770)	1800 (516)	900 (255)	0 (0)
	-20	(-28.9)	7410 (2172)	6900 (2022)	6410 (1879)	5910 (1732)	5440 (1594)	4970 (1457)	4520 (1325)	3600 (1020)	2700 (770)	1800 (516)	900 (255)	0 (0)	0 (0)
	-25	(-31.7)	6260 (1835)	5800 (1700)	5340 (1565)	4900 (1436)	4480 (1313)	4080 (1196)	3700 (1084)	2960 (868)	2180 (630)	1580 (458)	100 (28)	0 (0)	0 (0)
-30	(-34.4)	5200 (1524)	4770 (1398)	4370 (1281)	3980 (1166)	3620 (1061)	3280 (961)	2960 (868)	2180 (630)	1580 (458)	100 (28)	0 (0)	0 (0)	0 (0)	
KEHA025L6 Compressor Model CF09K6E*	10	(-12.2)	23900 (7005)	22600 (6624)	21300 (6243)	20100 (5891)	18800 (5510)	17500 (5129)	16300 (4777)	14600 (4279)	13100 (3839)	11500 (3370)	9940 (2913)	8470 (2482)	7090 (2078)
	5	(-15.0)	21700 (6360)	20500 (6008)	19300 (5657)	18100 (5305)	17000 (4982)	15800 (4631)	14600 (4279)	13100 (3839)	11500 (3370)	9940 (2913)	8470 (2482)	7090 (2078)	5600 (1616)
	0	(-17.8)	19500 (5715)	18400 (5393)	17300 (5070)	16200 (4748)	15200 (4455)	14100 (4132)	13100 (3839)	11500 (3370)	9940 (2913)	8470 (2482)	7090 (2078)	5600 (1616)	4100 (1178)
	-5	(-20.6)	17300 (5070)	16300 (4777)	15300 (4484)	14400 (4220)	13400 (3927)	12400 (3634)	11500 (3370)	9940 (2913)	8470 (2482)	7090 (2078)	5600 (1616)	4100 (1178)	2600 (756)
	-10	(-23.3)	15200 (4455)	14300 (4191)	13400 (3927)	12500 (3664)	11700 (3429)	10800 (3165)	9940 (2913)	8470 (2482)	7090 (2078)	5600 (1616)	4100 (1178)	2600 (756)	1100 (321)
	-15	(-26.1)	13200 (3869)	12400 (3634)	11600 (3400)	10800 (3165)	10000 (2931)	9230 (2705)	8470 (2482)	7090 (2078)	5600 (1616)	4100 (1178)	2600 (756)	1100 (321)	0 (0)
	-20	(-28.9)	11300 (3312)	10500 (3077)	9810 (2875)	9100 (2667)	8420 (2468)	7750 (2271)	7090 (2078)	5600 (1616)	4100 (1178)	2600 (756)	1100 (321)	0 (0)	0 (0)
	-25	(-31.7)	9440 (2767)	8790 (2576)	8150 (2389)	7540 (2210)	6940 (2034)	6360 (1864)	5810 (1703)	4650 (1363)	3600 (1020)	2700 (770)	1800 (516)	900 (255)	0 (0)
-30	(-34.4)	7760 (2274)	7180 (2104)	6640 (1946)	6110 (1791)	5610 (1644)	5110 (1498)	4650 (1363)	3600 (1020)	2700 (770)	1800 (516)	900 (255)	0 (0)	0 (0)	
KEHA030L6 Compressor Model CF12K6E*	10	(-12.2)	27900 (8177)	26400 (7737)	24800 (7268)	23300 (6829)	21800 (6389)	20200 (5920)	18700 (5481)	16900 (4953)	15200 (4455)	13600 (3986)	12000 (3517)	10500 (3077)	9020 (2644)
	5	(-15.0)	25300 (7415)	23900 (7005)	22500 (6594)	21100 (6184)	19700 (5774)	18300 (5363)	16900 (4953)	15200 (4455)	13600 (3986)	12000 (3517)	10500 (3077)	9020 (2644)	7560 (2216)
	0	(-17.8)	22900 (6712)	21600 (6331)	20300 (5950)	19000 (5569)	17700 (5188)	16500 (4836)	15200 (4455)	13600 (3986)	12000 (3517)	10500 (3077)	9020 (2644)	7560 (2216)	6000 (1728)
	-5	(-20.6)	20600 (6038)	19400 (5686)	18200 (5334)	17000 (4982)	15900 (4660)	14700 (4308)	13600 (3986)	12000 (3517)	10500 (3077)	9020 (2644)	7560 (2216)	60	



ELECTRICAL DATA COPELAND MODELS

60Hz

MODEL KEH	COMPRESSOR MODEL NO.	POWER SUPPLY	COMPRESSOR		CONDENSER FAN MOTOR			UNIT	
			RLA	LRA	QTY	WATTS	FLA	MCA	MOP
KEHA006M8-*	S2C RST45C1E-CAV	208-230/1/60	4.6	26.5	1	130	0.5	6.3	15
KEHA008M8-*	S2C RST55C1E-CAV	208-230/1/60	6.1	33.7	1	130	0.5	8.1	15
KEHA009M8-*	S2C RST64C1E-CAV	208-230/1/60	8.0	43.0	1	130	0.5	10.5	15
KEHA010M8-*	S2C RST70C1E-PFV	208-230/1/60	6.9	46.0	1	130	0.5	9.1	15
	T3C RST70C1E-TA5	208-230/3/60	4.9	36.0	1	130	0.5	6.6	15
KEHA011M8-*	S2C RST80C1E-PFV	208-230/1/60	8.3	46.0	1	130	0.5	10.9	15
	T3C RST80C1E-TA5	208-230/3/60	5.1	36.0	1	130	0.5	6.9	15
KEHA013M8-*	S2C RST97C1E-PFV	208-230/1/60	9.0	51.0	1	240	1.1	12.4	20
	T3C RST97C1E-TA5	208-230/3/60	5.4	36.0	1	240	1.1	7.9	15
KEHA006L6-*	S2C RFT22C1E-CAV	208-230/1/60	4.7	29.0	1	130	0.5	6.4	15
KEHA008L6-*	S2C RFT26C1E-CAV	208-230/1/60	5.8	35.5	1	130	0.5	7.8	15
KEHA010L6-*	S2C CF04K6E-PFV	208-230/1/60	9.9	59.2	1	130	0.5	12.9	20
	T3C CF04K6E-TF5	208-230/3/60	6.1	52.0	1	130	0.5	8.1	15
KEHA015L6-*	S2C CF06K6E-PFV	208-230/1/60	10.3	59.2	1	130	0.5	13.3	20
	T3C CF06K6E-TF5	208-230/3/60	6.3	52.0	1	130	0.5	8.4	15
KEHA020L6-*	S2C CF06K6E-PFV	208-230/1/60	10.3	59.2	1	130	0.5	13.3	20
	T3C CF06K6E-TF5	208-230/3/60	6.3	52.0	1	130	0.5	8.4	15
KEHA025L6-*	S2C CF09K6E-PFV	208-230/1/60	15.0	87.0	1	240	1.1	19.9	30
	T3C CF09K6E-TF5	208-230/3/60	9.2	72.2	1	240	1.1	12.6	20
	T4C CF09K6E-TFD	460/3/60	4.9	35.8	1	240	0.6	6.8	15
KEHA030L6-*	S2C CF12K6E-PFV	208-230/1/60	18.4	105.0	1	240	1.1	24.1	40
	T3C CF12K6E-TF5	208-230/3/60	11.0	85.0	1	240	1.1	14.9	25
	T4C CF12K6E-TFD	460/3/60	5.9	42.0	1	240	0.6	8.0	15

* I = Indoor, H = Outdoor. Above listed RLA value is based on UL rating method and may differ from published compressor RLA data.



ELECTRICAL DATA Copeland Models with EC Motor(s)[†]



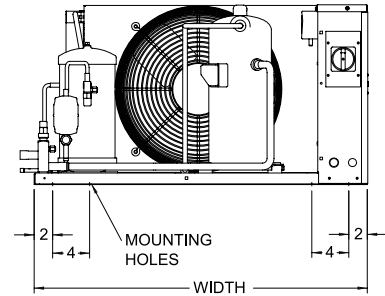
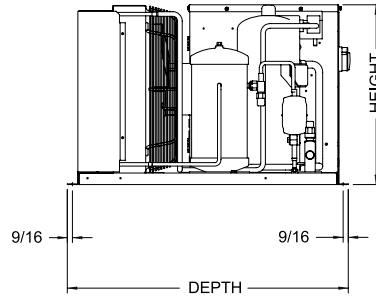
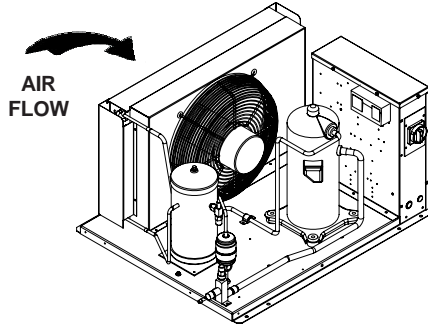
MODEL KEH	COMPRESSOR MODEL NO.	POWER SUPPLY	COMPRESSOR		ECM CONDENSER FAN			UNIT	
			RLA	LRA	QTY	WATTS	FLA	MCA	MOP
KEHA006M8-*	S2C RST45C1E-CAV	208-230/1/60	4.6	26.5	1	100	1.0	6.8	15
KEHA008M8-*	S2C RST55C1E-CAV	208-230/1/60	6.1	33.7	1	100	1.0	8.6	15
KEHA009M8-*	S2C RST64C1E-CAV	208-230/1/60	8.1	43.0	1	100	1.0	11.1	15
KEHA010M8-*	S2C RST70C1E-PFV	208-230/1/60	6.9	46.0	1	100	1.0	9.6	15
	T3C RST70C1E-TFC	208-230/3/60	4.9	36.0	1	100	1.0	7.1	15
KEHA011M8-*	S2C RST80C1E-PFV	208-230/1/60	8.3	46.0	1	100	1.0	11.4	15
	T3C RST80C1E-TA5	208-230/3/60	5.1	36.0	1	100	1.0	7.4	15
KEHA013M8-*	S2C RST97C1E-PFV	208-230/1/60	9.0	51.0	1	175	2.0	13.3	20
	T3C RST97C1E-TA5	208-230/3/60	5.4	36.0	1	175	2.0	8.8	15
KEHA006L6-*	S2C RFT22C1E-CAV	208-230/1/60	4.7	29.0	1	100	1.0	6.9	15
KEHA008L6-*	S2C RFT26C1E-CAV	208-230/1/60	5.8	35.5	1	100	1.0	8.3	15
KEHA010L6-*	S2C CF04K6E-PFV	208-230/1/60	8.6	59.2	1	100	1.0	11.8	20
	T3C CF04K6E-TF5	208-230/3/60	5.7	52.0	1	100	1.0	8.1	15
KEHA015L6-*	S2C CF06K6E-PFV	208-230/1/60	10.3	59.2	1	100	1.0	13.8	20
	T3C CF06K6E-TF5	208-230/3/60	6.3	52.0	1	100	1.0	8.9	15
KEHA020L6-*	S2C CF06K6E-PFV	208-230/1/60	10.3	59.2	1	100	1.0	13.8	20
	T3C CF06K6E-TF5	208-230/3/60	6.3	52.0	1	100	1.0	8.9	15
KEHA025L6-*	S2C CF09K6E-PFV	208-230/1/60	15.0	87.0	1	175	2.0	20.8	35
	T3C CF09K6E-TF5	208-230/3/60	9.2	72.2	1	175	2.0	13.5	20
KEHA030L6-*	S2C CF12K6E-PFV	208-230/1/60	18.4	105.0	1	175	2.0	25.0	40
	T3C CF12K6E-TF5	208-230/3/60	11.0	85.0	1	175	2.0	15.8	25

* I = Indoor, H = Outdoor. Above listed RLA value is based on UL rating method and may differ from published compressor RLA data.

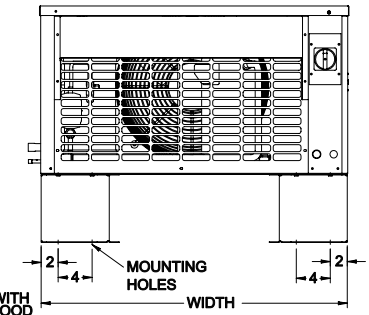
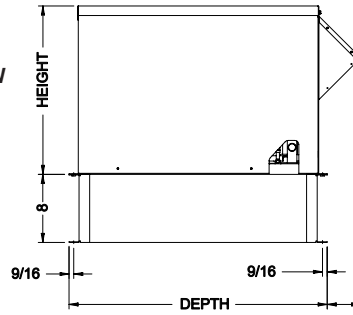
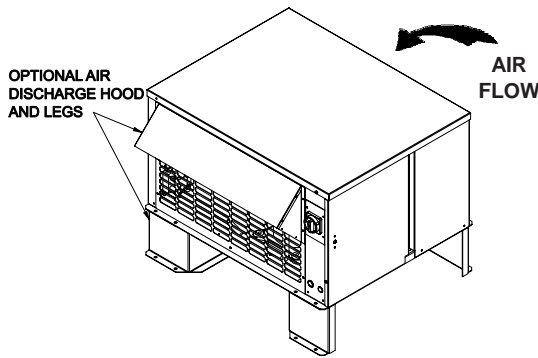
† Applies to units with variable speed EC motors or SmartSpeed (1/2 - 5 HP only). Contact factory for details.

DIMENSIONAL DATA (Small Chassis Models)

DRAWING #1

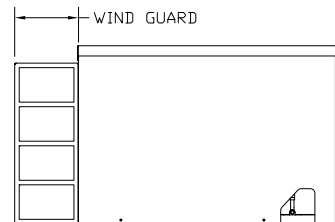
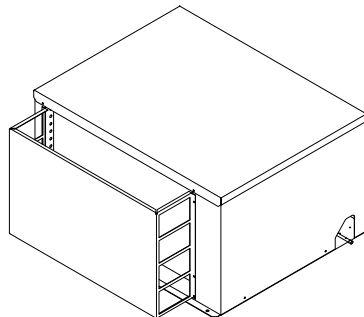


INDOOR DIMENSIONS



OUTDOOR DIMENSIONS

NOTE: Discharge hood, legs and wind guard are optional components



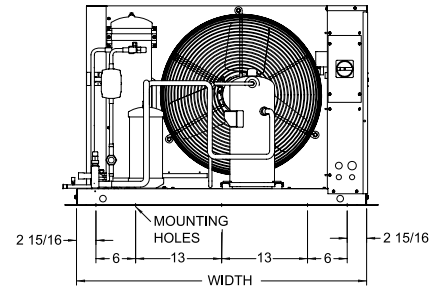
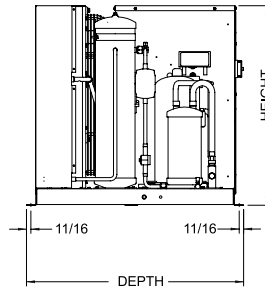
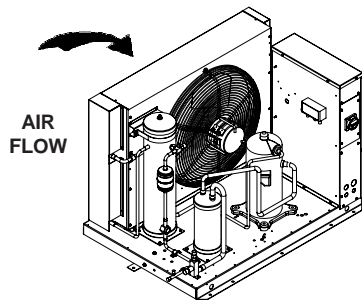
**REFER TO PAGE 12 FOR
DIMENSIONAL DATA FOR SPECIFIC MODELS**

KEH

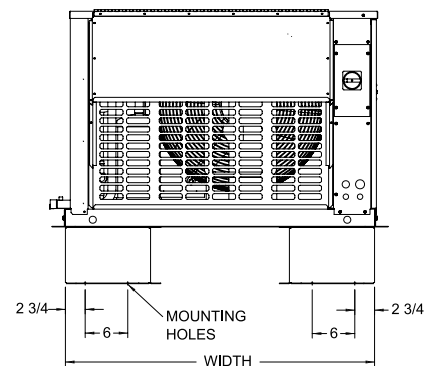
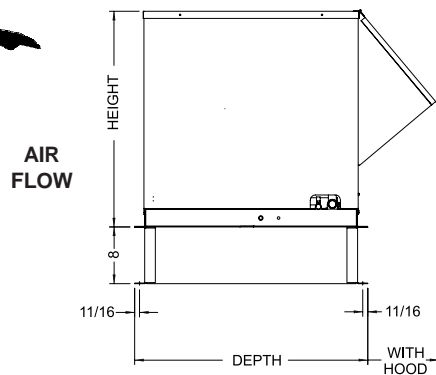
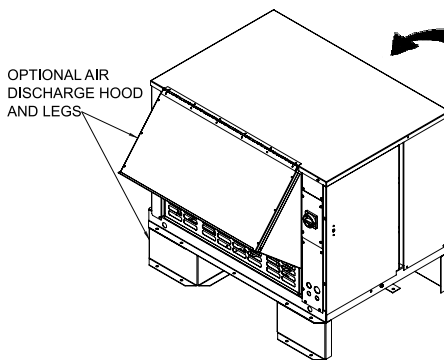
DIMENSIONAL DATA (Large Chassis Models)

60Hz

DRAWING #2

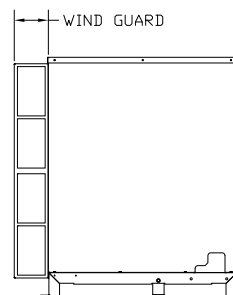
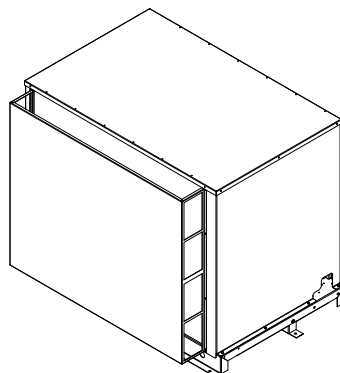


INDOOR DIMENSIONS



OUTDOOR DIMENSIONS

NOTE: Discharge hood, legs and wind guard are optional components



**REFER TO PAGE 12 FOR
DIMENSIONAL DATA FOR SPECIFIC MODELS**



DIMENSIONAL DATA COPELAND MODELS

60Hz

MODEL KEH	CHASSIS	DRAWING # (see table below)	OUTDOOR MODELS										INDOOR MODELS					
			WIDTH		DEPTH						HEIGHT		WIDTH		DEPTH		HEIGHT	
					Base		With Hood, add:		Wind Guard, add:									
Inches	mm	Inches	mm	Inches	mm	Inches	mm	Inches	mm	Inches	mm	Inches	mm	Inches	mm	Inches	mm	
KEHA006M8	A	1	24 7/8	632	30 3/8	772	34 3/8	873	19 3/8	492	16 7/8	429	24 5/8	625	30 3/8	772	19	483
KEHA008M8		1	24 7/8	632	30 3/8	772	34 3/8	873	19 3/8	492	16 7/8	429	24 5/8	625	30 3/8	772	19	483
KEHA009M8		1	24 7/8	632	30 3/8	772	34 3/8	873	19 3/8	492	16 7/8	429	24 5/8	625	30 3/8	772	19	483
KEHA010M8		1	24 7/8	632	30 3/8	772	34 3/8	873	19 3/8	492	16 7/8	429	24 5/8	625	30 3/8	772	19	483
KEHA011M8		1	24 7/8	632	30 3/8	772	34 3/8	873	19 3/8	429	19 7/8	505	24 5/8	625	30 3/8	772	19	419
KEHA013M8	B	2	36 3/8	924	30 3/8	772	34 3/8	873	19 7/8	505	19 7/8	505	36 1/8	918	30 3/8	772	19 1/2	495
KEHA006L6	A	1	24 7/8	632	30 3/8	772	34 3/8	873	19 3/8	492	16 7/8	429	24 5/8	625	30 3/8	772	19	483
KEHA008L6		1	24 7/8	632	30 3/8	772	34 3/8	873	19 3/8	492	16 7/8	429	24 5/8	625	30 3/8	772	19	483
KEHA010L6		1	24 7/8	632	30 3/8	772	34 3/8	873	19 3/8	492	16 7/8	429	24 5/8	625	30 3/8	772	19	483
KEHA015L6		1	24 7/8	632	30 3/8	772	34 3/8	873	19 3/8	492	16 7/8	429	24 5/8	625	30 3/8	772	19	483
KEHA020L6		1	24 7/8	632	30 3/8	772	34 3/8	873	19 3/8	492	16 7/8	429	24 5/8	625	30 3/8	772	19	483
KEHA025L6	B	2	36 3/8	924	30 3/8	772	34 3/8	873	19 7/8	505	19 7/8	505	36 1/8	918	30 3/8	772	19 1/2	495
KEHA030L6		2	36 3/8	924	30 3/8	772	34 3/8	873	19 7/8	505	19 7/8	505	36 1/8	918	30 3/8	772	19 1/2	495

DRAWING #	PAGE #
1	10
2	11



SPECIFICATIONS COPELAND MODELS

60Hz

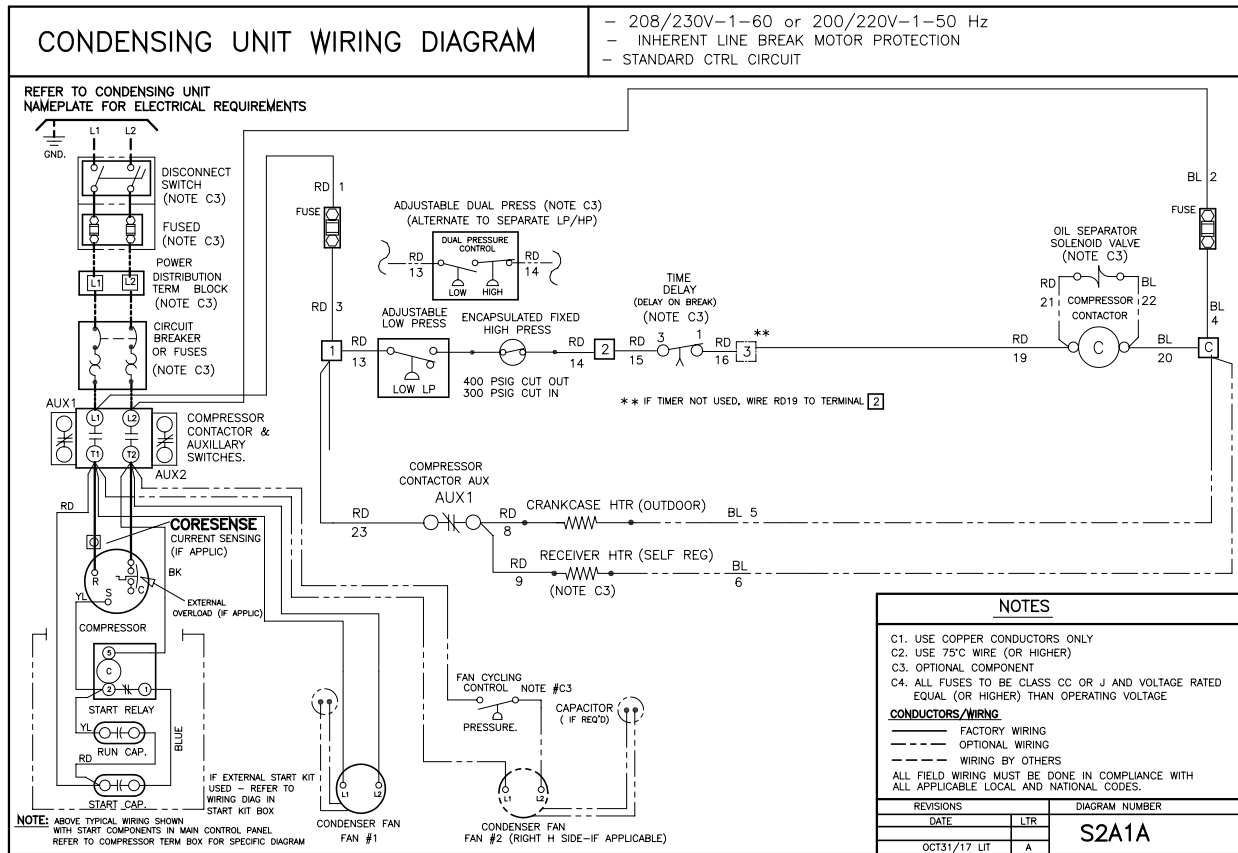
MODEL KEH	UNIT CONNECTIONS				R404A		APPROX. SHIPPING WEIGHT			
	SUCTION (OD)		LIQUID (OD)		RECEIVER CAPACITY 90% FULL *		OUTDOOR MODELS		INDOOR MODELS	
	Inches	mm	Inches	mm	Lbs.	Kgs	Lbs.	Kgs	Lbs.	Kgs
KEHA006M8	5/8	16	3/8	10	5.4	2.45	149	68	127	58
KEHA008M8	5/8	16	3/8	10	5.4	2.45	149	68	127	58
KEHA009M8	5/8	16	3/8	10	5.4	2.45	152	69	130	59
KEHA010M8	5/8	16	3/8	10	5.4	2.45	167	76	145	66
KEHA011M8	5/8	16	3/8	10	5.4	2.45	167	76	145	66
KEHA013M8	5/8	16	3/8	10	11.3	5.13	279	127	257	117
KEHA006L6	1/2	13	3/8	10	5.4	2.45	141	64	119	54
KEHA008L6	1/2	13	3/8	10	5.4	2.45	141	64	119	54
KEHA010L6	5/8	16	3/8	10	5.4	2.45	187	85	165	75
KEHA015L6	7/8	22	3/8	10	5.4	2.45	190	86	168	76
KEHA020L6	7/8	22	3/8	10	5.4	2.45	194	88	172	78
KEHA025L6	7/8	22	3/8	10	14.4	6.53	281	127	254	115
KEHA030L6	7/8	22	1/2	13	14.4	6.53	292	132	265	120

* NOTE ON ALTERNATE REFRIGERANTS:

* PUBLISHED RECEIVER CAPACITY IS BASED ON R404A ON MODELS USING "8" AS REFRIGERANT CODE.
FOR ALTERNATE REFRIGERANTS, MULTIPLY R404A VALUE BY THE APPROPRIATE VALUE BELOW:

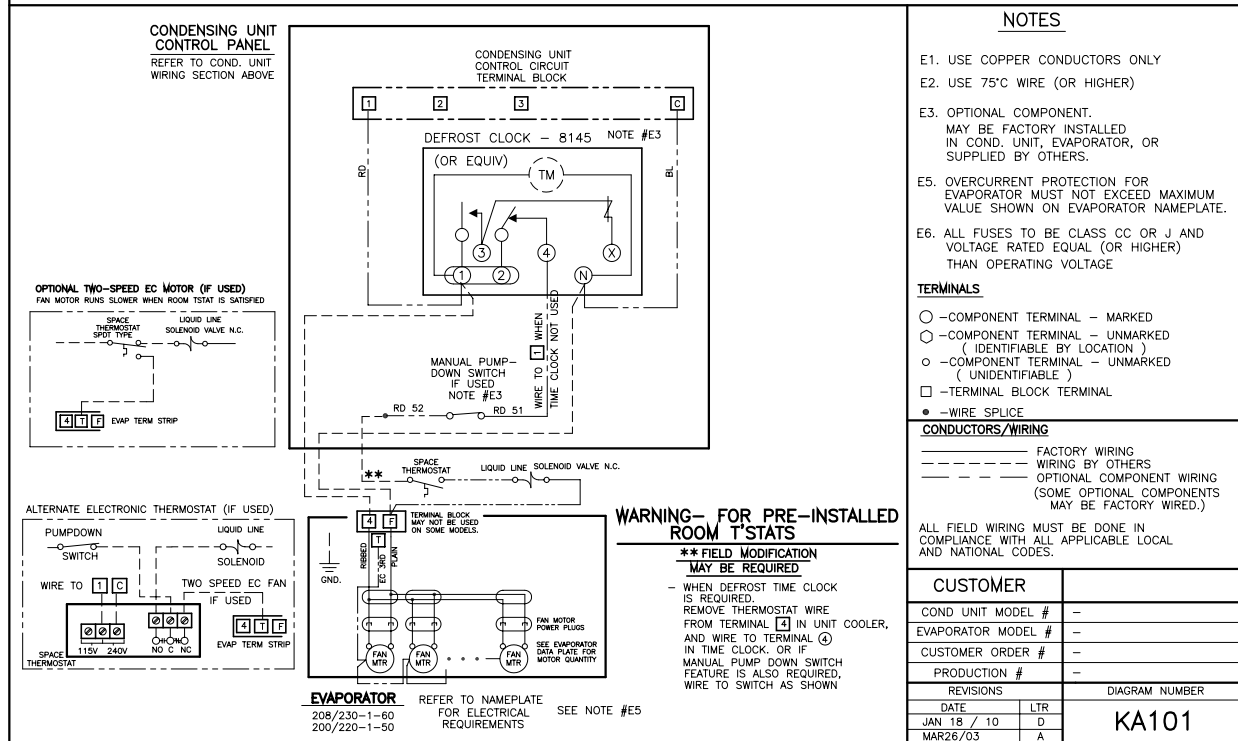
R407A	R407C	R448A	R507	R22
1.10	1.10	1.05	1.00	1.15

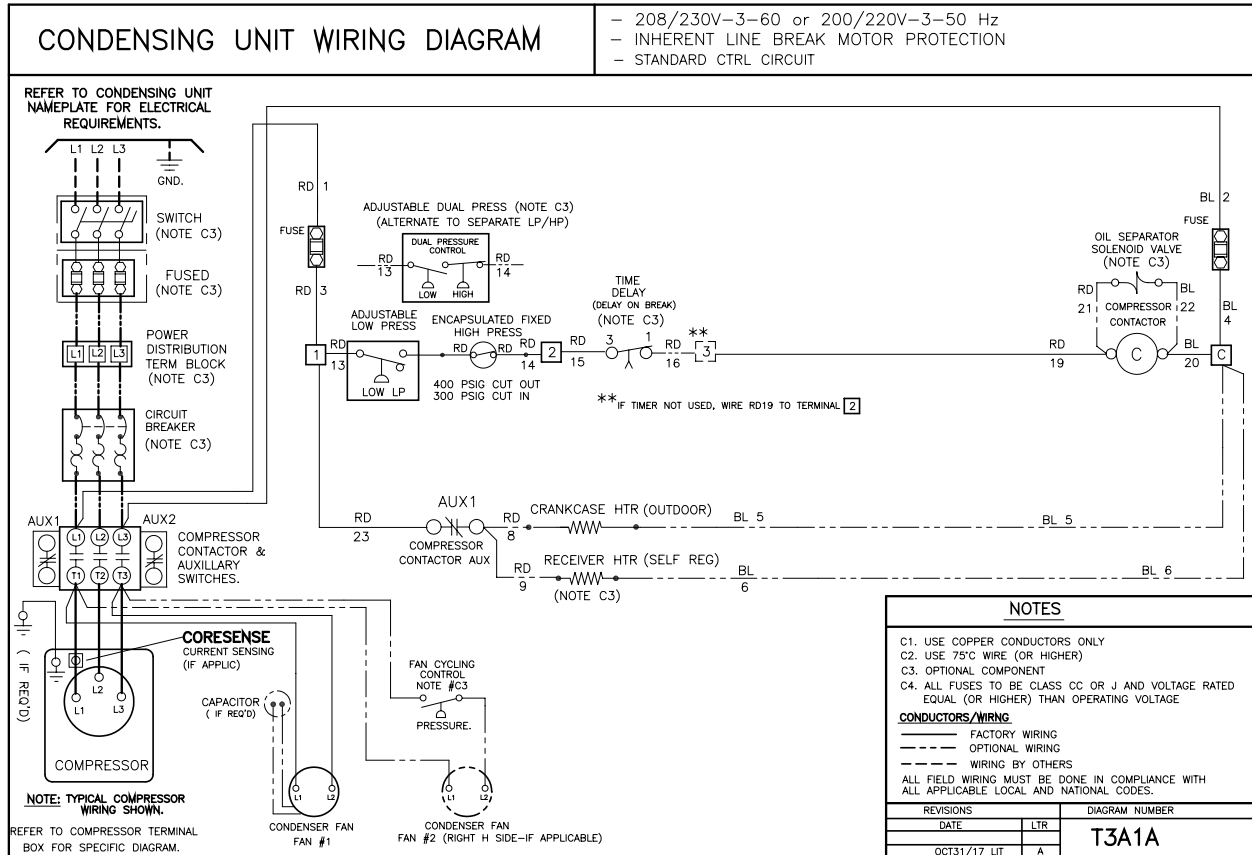
- For R449A, use R448A data.



TYPICAL EVAPORATOR WIRING: FOR SINGLE AIR DEFROST EVAPORATOR- SINGLE POINT

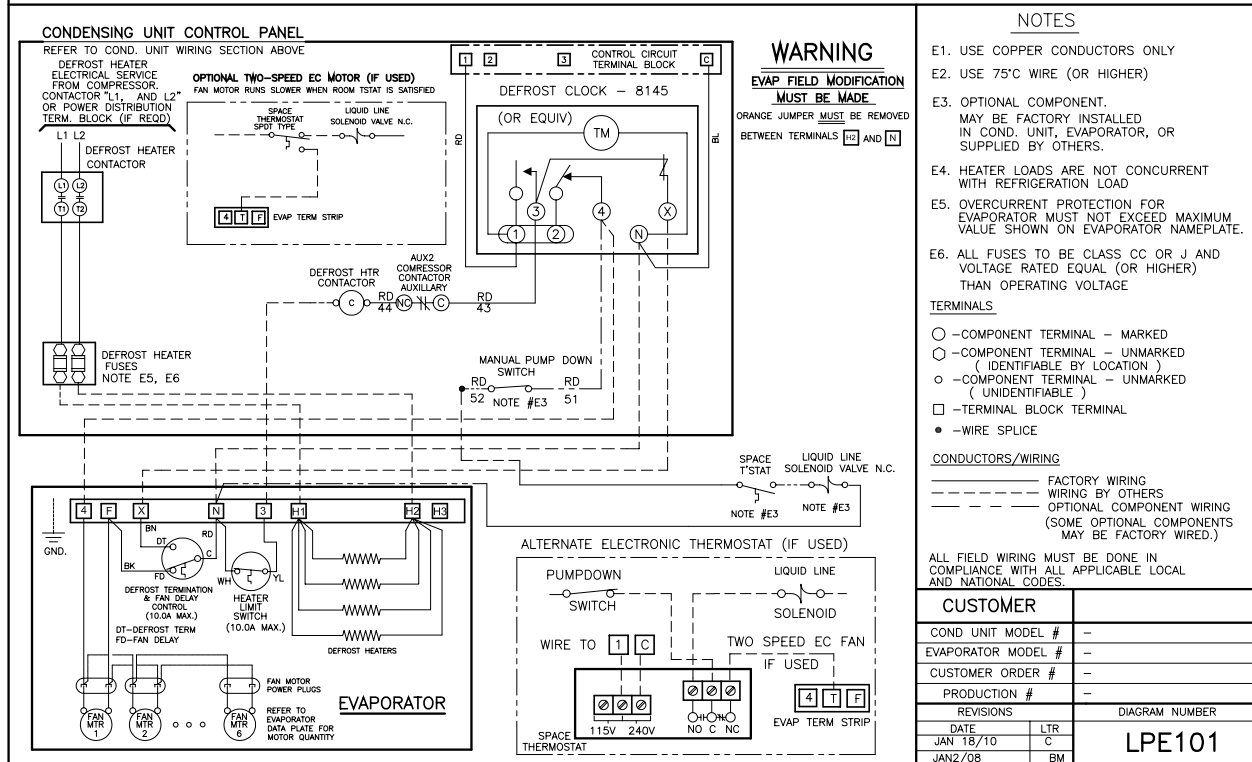
FOR USE WITH: 208/230-1-60, 200/220-1-50 OR 208/230-3-60, 200/220-3-50 CONDENSING UNITS
WITH OR WITHOUT DEFROST TIME CLOCK AND FOR TOTAL EVAP FAN AMPS NOT EXCEEDING 12A





TYPICAL EVAPORATOR WIRING: FOR SINGLE LOW PROFILE ELECT 1 PHASE DEFROST EVAPORATOR-SINGLE POINT

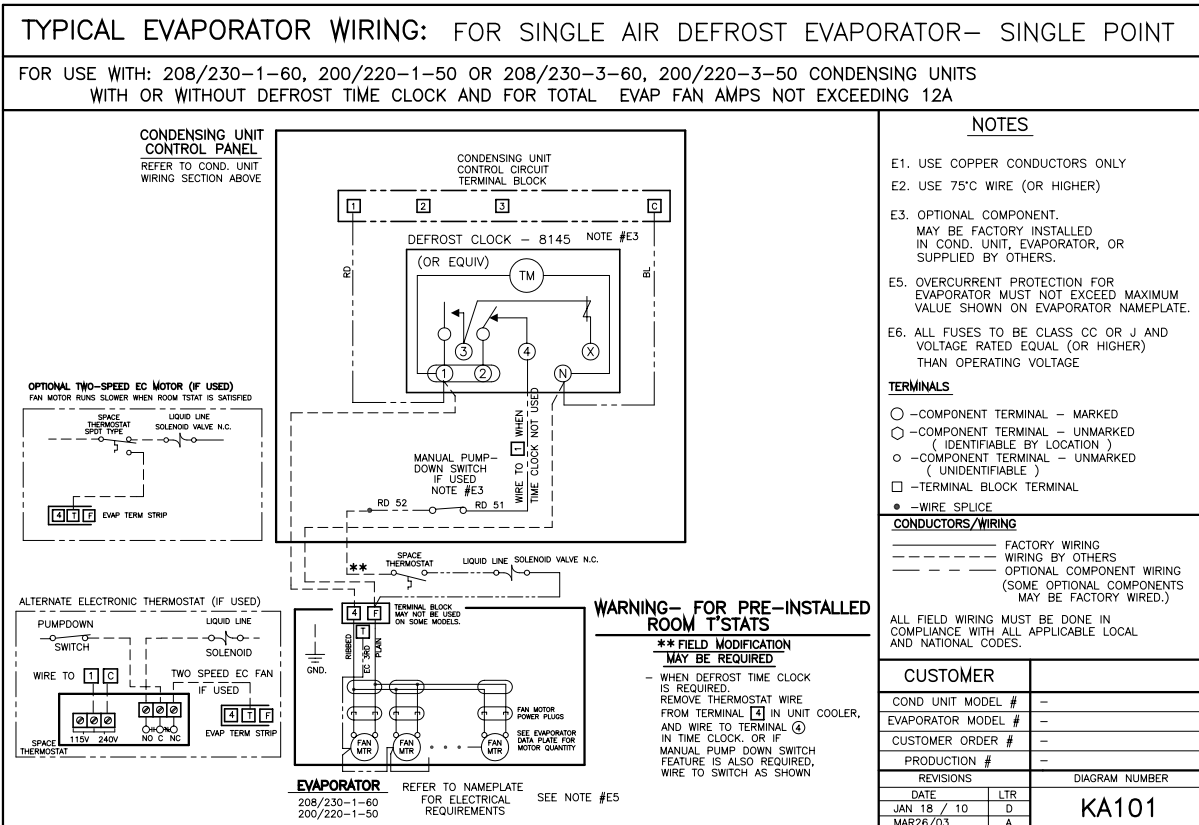
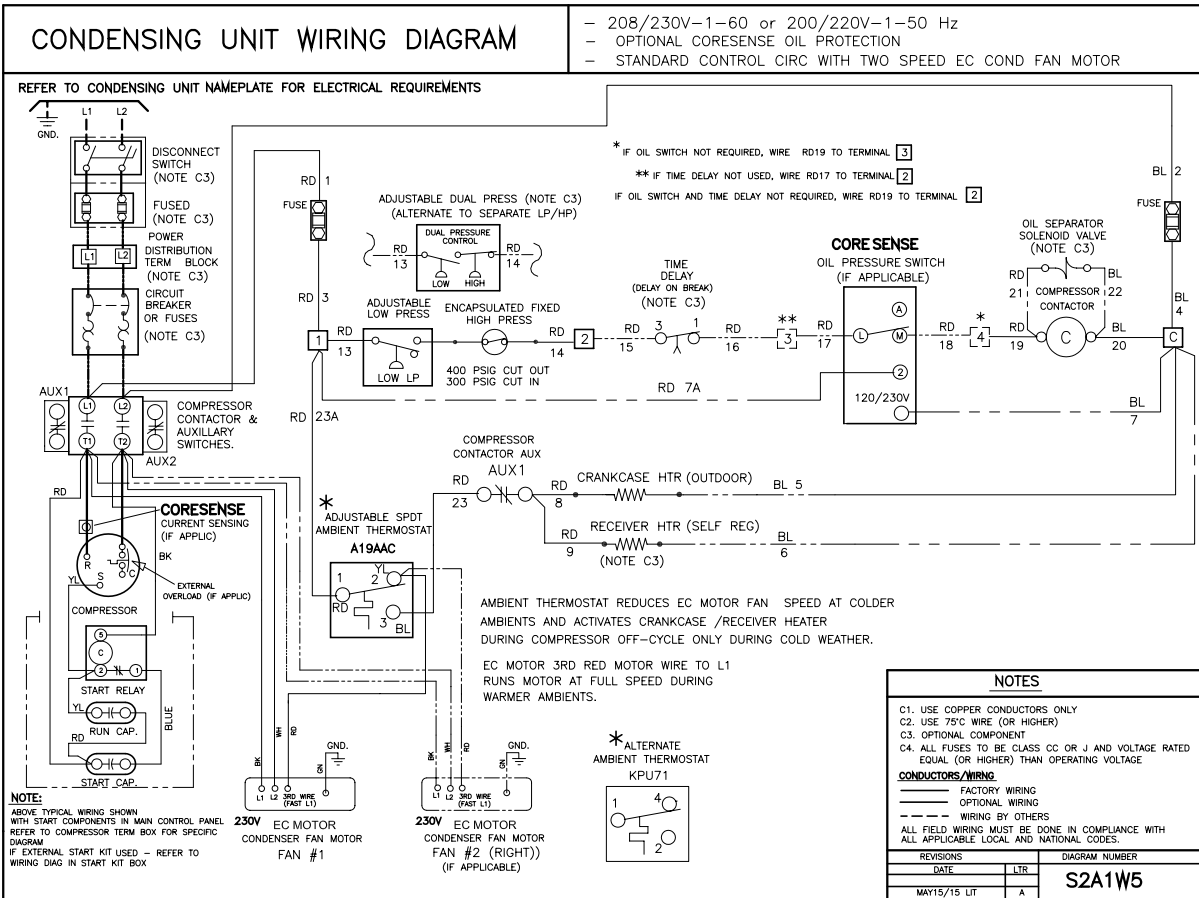
FOR USE WITH: 230V SINGLE OR THREE PHASE CONDENSING UNITS WITH DEFROST TIME CLOCK, AND DEFROST HEATER CONTACTOR



TYPICAL SYSTEM WIRING DIAGRAM

208-230/1/60 Unit with SMARTSPEED™

with 230V Air Defrost Evaporator



NOTE: Models in this document are not certified to DOE/NRCAN efficiency standards and should not be used for coolers or freezers less than 3000 sq.ft.

KEH

NOTES

60Hz

NOTE: Models in this document are not certified to DOE/NRCAN efficiency standards and should not be used for coolers or freezers less than 3000 sq.ft.

KEH

NOTES

60Hz

KEH

PROJECT INFORMATION

60Hz

System	
Model Number	Date of Start-Up
Serial Number	Service Contractor
Refrigerant	Phone
Electrical Supply	E-Mail

 <p>PRODUCT SUPPORT</p>	<p><i>web:</i> www.k-rp.com/keh <i>email:</i> smcu@k-rp.com <i>call:</i> 1-844-893-3222 x521</p>
 <p>TROUBLESHOOTING</p>	<p><i>email:</i> troubleshooting@k-rp.com <i>call:</i> 1-844-893-3222 x529</p>
 <p>SERVICE PARTS</p>	<p><i>web:</i> www.k-rp.com/parts <i>email:</i> parts@k-rp.com <i>call:</i> 1-844-893-3222 x521</p>
 <p>WARRANTY</p>	<p><i>web:</i> www.k-rp.com/warranty <i>email:</i> warranty@k-rp.com <i>call:</i> 1-844-893-3222 x501</p>
 <p>ORDERS</p>	<p><i>email:</i> orders@k-rp.com <i>call:</i> 1-844-893-3222 x501</p>
 <p>SHIPPING</p>	<p><i>email:</i> shipping@k-rp.com <i>call:</i> 1-844-893-3222 x503</p>

 <p>KeepRite Refrigeration Brantford, ON • Longview, TX 1-800-463-9517 info@k-rp.com www.k-rp.com</p>		
--	--	---