



# KMR Medium Profile Heat Reclaim

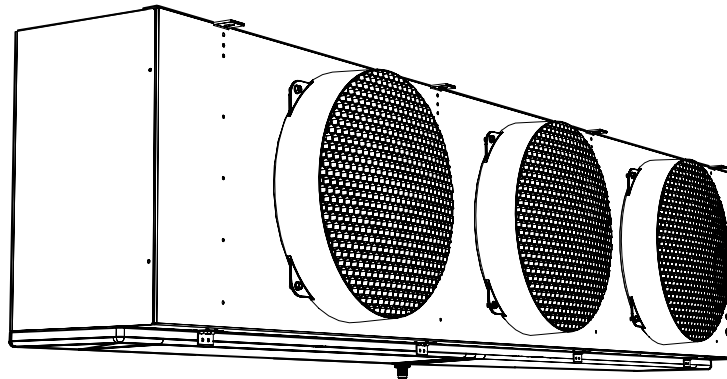
**60**  
Hz

## PRODUCT DATA & SPECIFICATIONS

Bulletin K30-KMR-PDS-1  
Part # 1109362

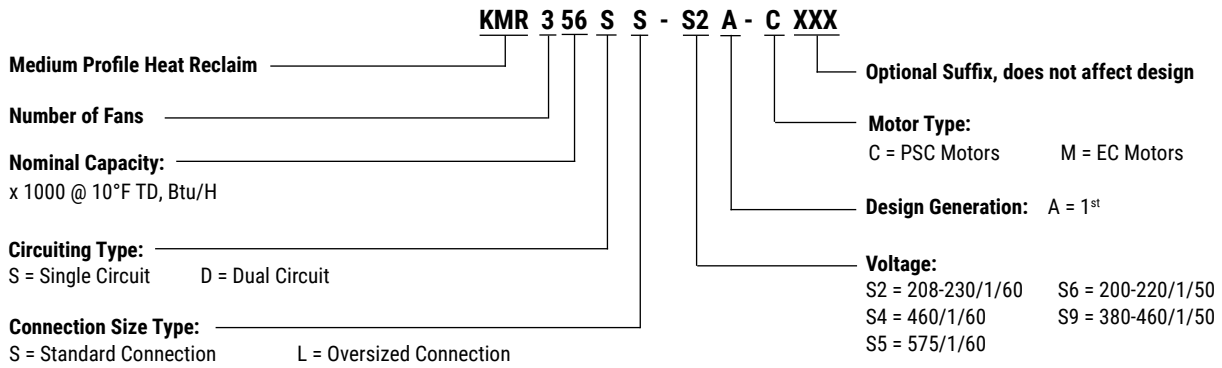
Electrical Power:  
208-230/1/60, 460/1/60, 575/1/60

	<b>PRODUCT SUPPORT</b>	<i>scan:</i> 
	web: <a href="http://www.k-rp.com/kmr">www.k-rp.com/kmr</a>	
	email: <a href="mailto:evaps@k-rp.com">evaps@k-rp.com</a>	
	call: 1-844-893-3222 x520	



## CONTENTS

	<b>Page</b>
Nomenclature.....	2
Features & Options.....	2
Capacity Data.....	3
Electrical Data.....	3
Specifications.....	3
Wiring Diagrams.....	4 - 6
Dimensional Data/Shipping Weights.....	7
Product Support Resources: Service Parts, Troubleshooting, Warranty, etc.....	BACK



## STANDARD FEATURES

- Compatible with Low GWP Refrigerants
- Totally enclosed high efficiency PSC motors
- High efficiency and high strength fan guard
- Hinged access panels
- Ample electrical and header compartments

## AVAILABLE OPTIONS

- Wire fan guard
- Corrosion protection: alternate fin materials and coatings
- EC motors
- Additional options available, please contact factory

## SELECTION DATA

## KMR - MEDIUM PROFILE HEAT RECLAIM

### Heat Reclaim Capacity - R404A

Model KMR	Qty. Fans	TD * - MBH (kW)				
		10°F (5.5°C)	20°F (11°C)	30°F (17°C)	40°F (22°C)	50°F (28°C)
118	1	18 (5.3)	36 (10.6)	54 (15.8)	72 (21.1)	90 (26.4)
228	2	28 (8.2)	56 (16.4)	84 (24.6)	112 (32.8)	140 (41.0)
235		35 (10.3)	70 (20.5)	105 (30.8)	140 (41.0)	175 (51.3)
345	3	45 (13.2)	90 (26.4)	135 (39.6)	180 (52.8)	225 (66.0)
356		56 (16.4)	112 (32.8)	168 (49.3)	224 (65.7)	280 (82.1)

\* = Condensing Temperature - Entering Air Temperature  
Capacity based on standard configuration single circuit

## ELECTRICAL DATA

### Models with Standard PSC Motors

MODEL KMR	MBH/ °TD R404A	Air Flow Rate (CFM)	PSC FAN MOTORS													
			Qty.	HP	S2 - 208-230/1/60				S4 - 460/1/60				S5 - 575/1/60			
					FLA Total	Watts	MCA (A)	Max. Fuse (AMPS)	FLA Total	Watts	MCA (A)	Max. Fuse (AMPS)	FLA Total	Watts	MCA (A)	Max. Fuse (AMPS)
118	1.8	3240	1	1/3	1.7	320	2.1	15	0.9	330	1.1	15	0.7	337	0.9	15
228	2.8	6870	2	1/3	3.4	640	3.8	15	1.8	660	2.0	15	1.4	674	1.6	15
235	3.5	6480	2	1/3	3.4	640	3.8	15	1.8	660	2.0	15	1.4	674	1.6	15
345	4.5	10300	3	1/3	5.1	960	5.5	15	2.7	990	2.9	15	2.1	1011	2.3	15
356	5.6	9720	3	1/3	5.1	960	5.5	15	2.7	990	2.9	15	2.1	1011	2.3	15

### Models with Optional EC Motors

MODEL KMR	MBH/ °TD R404A	Air Flow Rate (CFM)	EC FAN MOTORS									
			Qty.	HP	S2 - 208-230/1/60				S4 - 460/1/60			
					FLA Total	Watts	MCA (A)	Max. Fuse (AMPS)	FLA Total	Watts	MCA (A)	Max. Fuse (AMPS)
118	1.8	3240	1	1/3	2.6	245	3.3	15	1.0	230	1.3	15
228	2.8	6870	2	1/3	5.2	490	5.9	15	2.0	460	2.5	15
235	3.5	6480	2	1/3	5.2	490	5.9	15	2.0	460	2.5	15
345	4.5	10300	3	1/3	7.8	735	8.5	15	3.0	690	3.8	15
356	5.6	9720	3	1/3	7.8	735	8.5	15	3.0	690	3.8	15

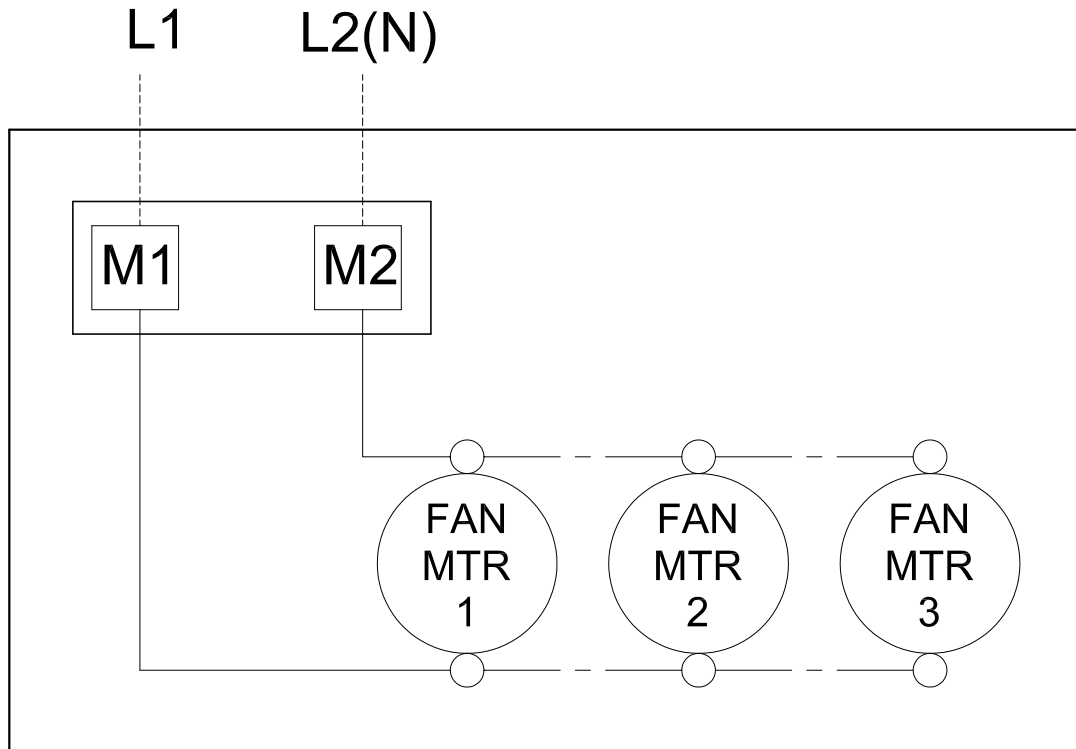
## SPECIFICATIONS

### Connection Sizes

Model KMR	Qty. Fans	STANDARD CONNECTION		OVERSIZED CONNECTION	
		Inlet IN (mm)	Outlet IN (mm)	Inlet IN (mm)	Outlet IN (mm)
118	1	1 1/8 (28.5)	1 1/8 (28.5)	1 3/8 (35.0)	1 3/8 (35.0)
228	2	1 3/8 (35.0)	1 3/8 (35.0)	1 5/8 (41.3)	1 5/8 (41.3)
235		1 3/8 (35.0)	1 3/8 (35.0)	1 5/8 (41.3)	1 5/8 (41.3)
345	3	1 5/8 (41.3)	1 5/8 (41.3)	2 1/8 (54.0)	2 1/8 (54.0)
356		1 5/8 (41.3)	1 5/8 (41.3)	2 1/8 (54.0)	2 1/8 (54.0)

# WIRING DIAGRAM - PSC MOTOR(S)

REFER TO HEAT EXCHANGER NAMEPLATE FOR ELECTRICAL REQUIREMENTS

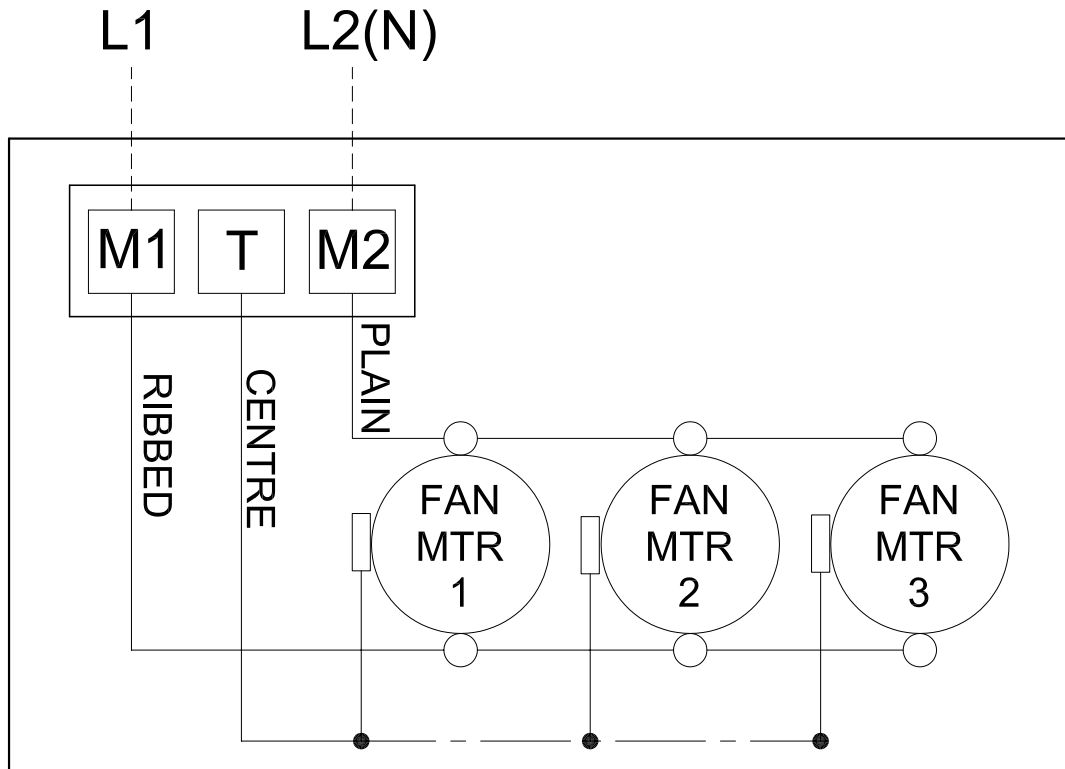


- 1). USE MINIMUM 90°C. COPPER CONDUCTORS ONLY
- 2). ALL FIELD WIRING MUST BE DONE IN COMPLIANCE WITH ALL APPLICABLE LOCAL AND NATIONAL CODES.
- 3). REFER TO PRODUCT DATA & INSTALLATION MANUAL SUPPLIED WITH UNIT FOR OPTIONAL COMPONENT WIRING.

208-230/1/60: Models with Optional EC Motors

# WIRING DIAGRAM: EC MOTOR(S) - 230V

REFER TO HEAT EXCHANGER NAMEPLATE FOR ELECTRICAL REQUIREMENTS

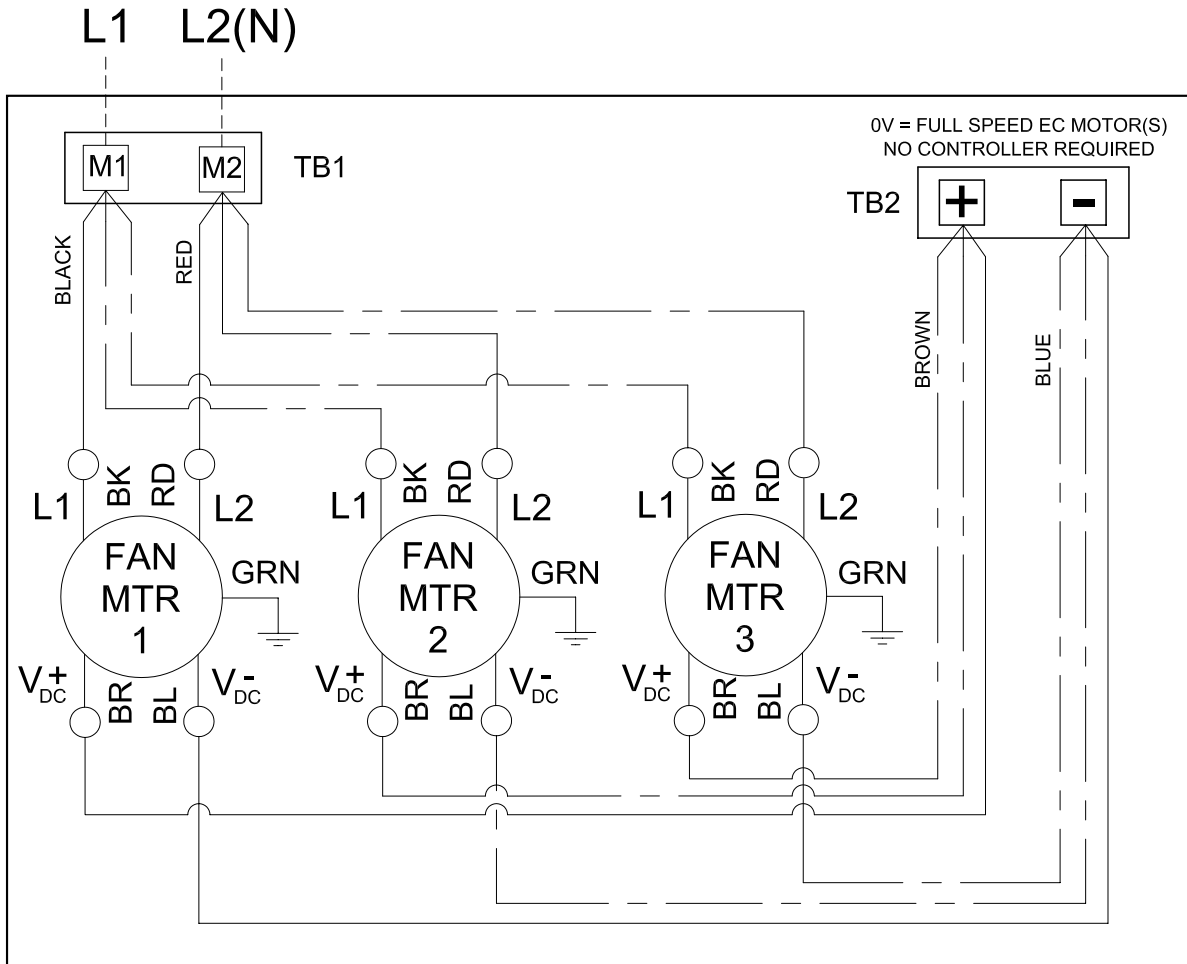


- 1). USE MINIMUM 90°C. COPPER CONDUCTORS ONLY
- 2). ALL FIELD WIRING MUST BE DONE IN COMPLIANCE WITH ALL APPLICABLE LOCAL AND NATIONAL CODES.
- 3). REFER TO PRODUCT DATA & INSTALLATION MANUAL SUPPLIED WITH UNIT FOR OPTIONAL COMPONENT WIRING.

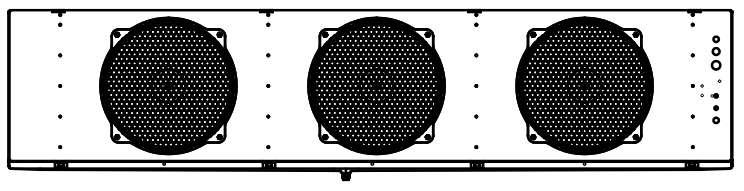
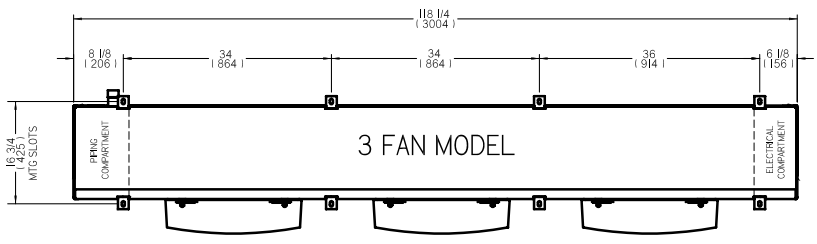
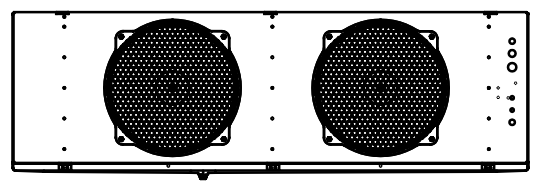
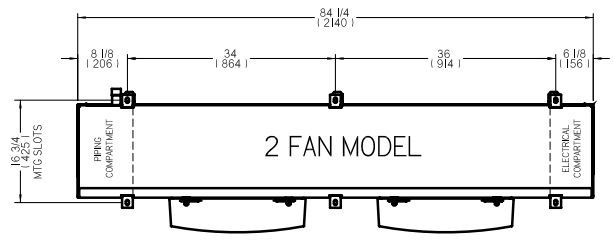
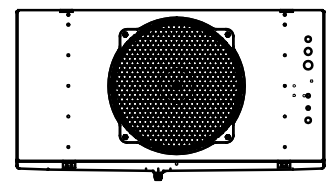
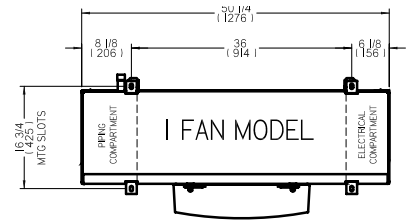
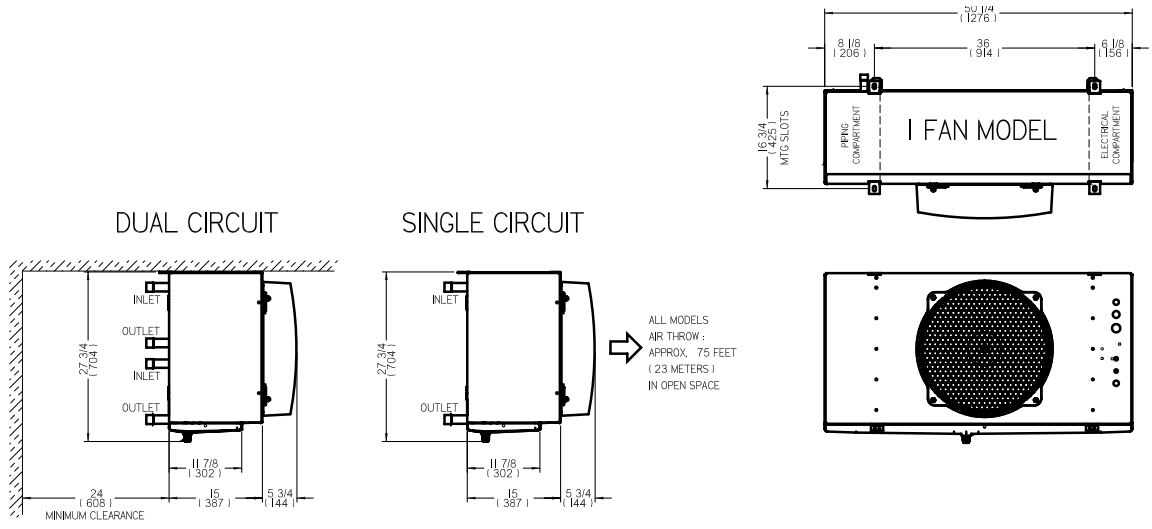
460/1/60: Models with Optional EC Motors

# WIRING DIAGRAM: EC MOTOR(S) - 460V

REFER TO HEAT EXCHANGER NAMEPLATE FOR ELECTRICAL REQUIREMENTS



- 1). USE MINIMUM 90°C. COPPER CONDUCTORS ONLY
- 2). ALL FIELD WIRING MUST BE DONE IN COMPLIANCE WITH ALL APPLICABLE LOCAL AND NATIONAL CODES.
- 3). REFER TO PRODUCT DATA & INSTALLATION MANUAL SUPPLIED WITH UNIT FOR OPTIONAL COMPONENT WIRING.



Model KMR	Qty. Fans	SHIPPING WEIGHT	
		LB.	kg.
118	1	161	73
223	2	240	109
235		254	115
345	3	326	148
356		349	158

  
PRODUCT SUPPORT

web: [www.k-rp.com/kmr](http://www.k-rp.com/kmr)  
email: [evaps@k-rp.com](mailto:evaps@k-rp.com)  
call: 1-844-893-3222 x520

  
TROUBLESHOOTING


email: [troubleshooting@k-rp.com](mailto:troubleshooting@k-rp.com)  
call: 1-844-893-3222 x529

  
SERVICE PARTS


web: [www.k-rp.com/parts](http://www.k-rp.com/parts)  
email: [parts@k-rp.com](mailto:parts@k-rp.com)  
call: 1-844-893-3222 x520

  
WARRANTY

web: [www.k-rp.com/warranty](http://www.k-rp.com/warranty)  
email: [warranty@k-rp.com](mailto:warranty@k-rp.com)  
call: 1-844-893-3222 x501

  
ORDERS

email: [orders@k-rp.com](mailto:orders@k-rp.com)  
call: 1-844-893-3222 x501

  
SHIPPING

email: [shipping@k-rp.com](mailto:shipping@k-rp.com)  
call: 1-844-893-3222 x503

  
REFRIGERATION

KeepRite Refrigeration  
Brantford, ON • Longview, TX  
1-800-463-9517 [info@k-rp.com](mailto:info@k-rp.com) [www.k-rp.com](http://www.k-rp.com)

 c UL us

