



KM-Line Semi-Hermetic Condensing Units

PRODUCT DATA & SPECIFICATIONS

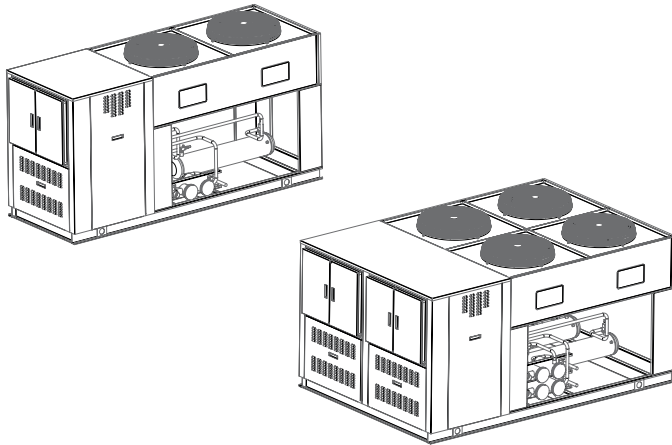
Bulletin K40-KM-PDS-10
Part # 1092981

	PRODUCT SUPPORT	scan: 
	web: www.k-rp.com/km	
	email: mdcu-lgcu@k-rp.com	
	call: 1-844-893-3222 x522	

Outdoor Air-Cooled
Semi-Hermetic Condensing Units

6 to 44 HP -
High, Medium and Low
Temperature Refrigeration


60
Hz



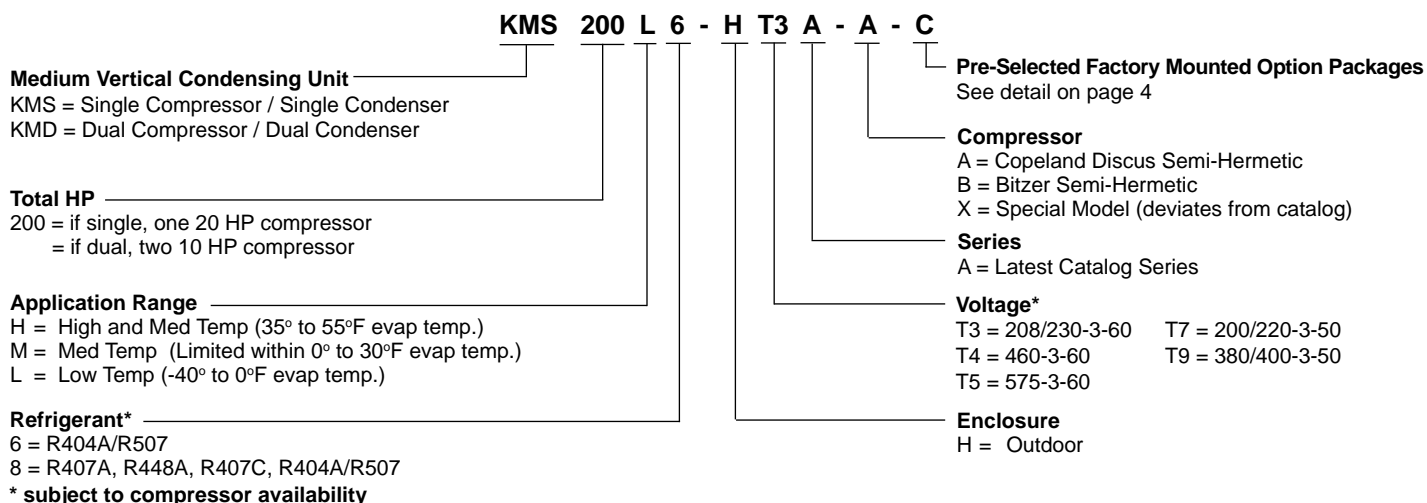
LIMITROL

FLOATING HEAD PRESSURE CONTROL SYSTEM
See Page 5 for details

CONTENTS

	Page
Nomenclature.....	2
Features and Options	2 - 4
LIMITROL  Floating Head Pressure Control System.....	5
Capacity Data (Imperial and <i>Metric</i>).....	5 - 49
Electrical Data.....	50 - 57
Dimensional Data.....	58 - 59
Specifications.....	60 - 61
Annual Walk-In Energy Factor (AWEF) Ratings.....	62 - 63
Wiring Diagrams	64 - 69
Project Information.....	71
Product Support Resources.....	BACK

NOMENCLATURE



FEATURES

- Compatible with Low GWP Refrigerants
- Units are **UL_{US}** Listed.
- Designed for use with a wide variety of refrigerants
- Energy efficient compressors with POE. Several Options to choose from: Copeland Discus, Bitzer reciprocating.
- Single, Dual and parallel-piped (optional) compressor configurations available.
- Thermospan™ condenser core design eliminates tube sheet leaks and provides reliable operation.
- 3/8" condenser tubes reduces refrigerant charge.
- Generously sized condenser allows unit to operate at higher than normal ambient conditions.
- Optional coating and fin surfaces for condenser core protection available.
- Receivers (where used) are liberally sized and include inlet as well as outlet service valves.
- Subcooling circuit in condenser on all models (except high temperature H8 models) increases overall system efficiency and provides dependable compressor operation.
- Utilizes pre-formed internal piping, eliminates welded joints and reduces chances of a leak.
- Electrical components are housed in a spacious and conveniently located panel. In case of a compressor trip, a Lock-out relay de-energizes the liquid line solenoid valve. In addition, SPDT contact is provided for field wired alarm circuit.
- End compartment panels allow unrestricted access to service the compressor(s) and all other components.
- Units are available with energy efficient Thermosaver™ hot gas defrost option.
- Units are environmentally friendly operating on less power and refrigerant charge.

Standard features include:

- Spring mount compressor with discharge and suction vibration eliminator.
- Compressor head cooling fans on low temperature models
- Compressor crankcase heater
- Flexible hose on all compressor pressure control connections
- Two valve adjustable (pre-set at factory) Low Ambient head pressure control.
- Condenser fan cycling control (pressure) on two-fan models.
- Fused condenser fan motors
- Receiver inlet/outlet valves and safety pressure relief valve
- Replaceable liquid line drier & sight glass
- Anti-short cycle time delay relay
- Oil failure control (non-electronic)
- Separate HP and LP compressor controls.
- Lock out relay.
- Sub-cooling circuit on medium and low temperature units.
- Electronic liquid injection on L8 units

AVAILABLE OPTIONS

Factory installed Optional Features include:

- Suction accumulator (with or without heat exchanger)
- Replaceable suction filter
- Insulated suction lines.
- Crankcase Pressure Regulating valve
- Compressor capacity control available where applicable
- Discharge line check valve
- Hot gas bypass tees / regulating valves / de-superheating TXV
- Oil separator
- Oversized condenser (except largest unit)
- Variable speed EC motors only as head pressure control (see Bulletin K40-HPC-AG for details)
- Oversized receiver
- Heated and insulated receiver
- Thermosaver™ defrost.
- Disconnect switch (fused or non-fused).
- Compressor circuit breaker
- Electronic Oil failure control
- Voltage / Phase monitor
- Defrost Time clock
- Defrost Heater / Evaporator Fan Contactors with fuse block
- Single point electrical service hook up for evaporator and controls
- Discharge line thermostat
- **Limitrol+ Floating Head Pressure Control System (see page 5 or Bulletin K40-LIMITROL-AG for details)**




Pre-Selected Factory Mounted Option Packages are available for your convenience. See page 4

SELECTION OF TWO-COMPRESSOR UNITS

KMD condensing units are dual compressor units. The ratings shown are the total capacity of two compressors operating simultaneously. Standard KMD models are designed with two

independently operating systems, each with a separate refrigeration circuit. Optional parallel piped compressors (one total system) are available. Consult factory.

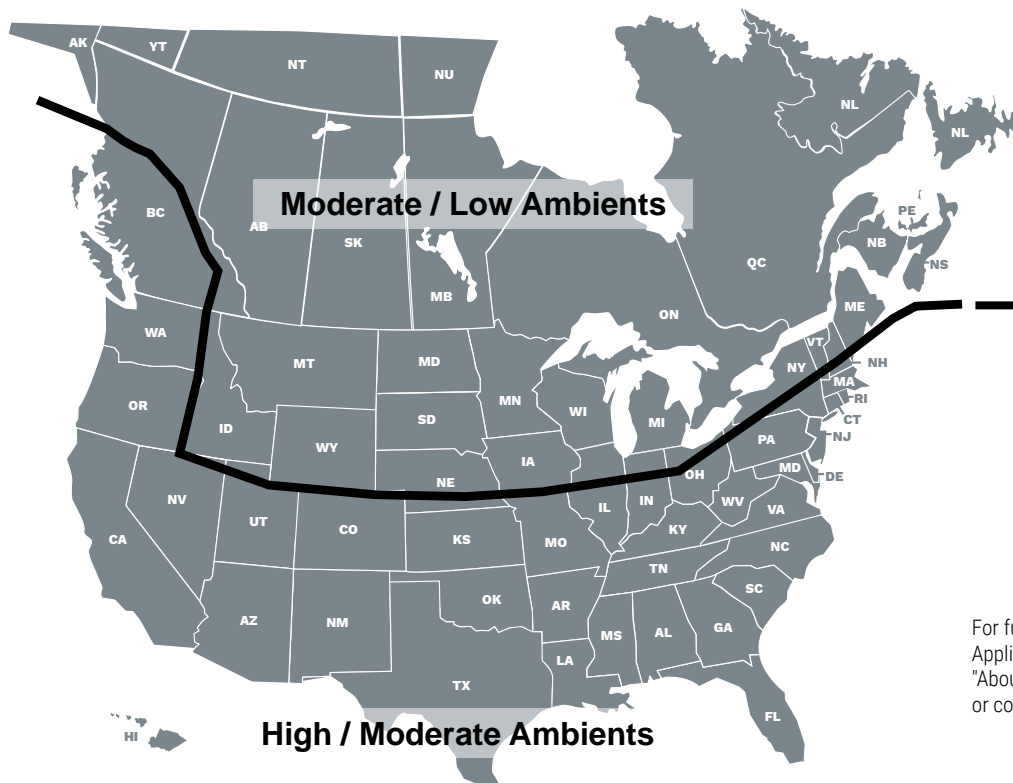
PRE-SELECTED FACTORY MOUNTED OPTION PACKAGES

	For High / Moderate Ambients	For Moderate / Low Ambients
GOOD 	Package B: + Suction Accumulator w/o Heat Exchanger + Suction Filter - Replaceable	Package C: + Suction Accumulator w/o Heat Exchanger + Suction Filter - Replaceable + Heated and Insulated Receiver
BETTER 	Package D: + Suction Accumulator w/o Heat Exchanger + Suction Filter - Replaceable + Oil Separator / Check Valve, Solenoid, Filter & Strainer	Package E: + Suction Accumulator w/o Heat Exchanger + Suction Filter - Replaceable + Oil Separator / Check Valve, Solenoid, Filter & Strainer + Heated and Insulated Receiver
BEST 	Package F: + Suction Accumulator w/o Heat Exchanger + Suction Filter - Replaceable + Oil Separator / Check Valve, Solenoid, Filter & Strainer + Phase Monitor ¹	Package G: + Suction Accumulator w/o Heat Exchanger + Suction Filter - Replaceable + Oil Separator / Check Valve, Solenoid, Filter & Strainer + Phase Monitor ¹ + Heated and Insulated Receiver

¹ Phase Monitor - 6 Wire

For information on Evaporator Defrost Kits and Fuse Packages, visit www.k-rp.com/dfk

RECOMMENDATIONS FOR SELECTING FACTORY MOUNTED OPTION PACKAGES



For Moderate / Low Ambients:
 Good: Package C
 Better: Package E
 Best: Package G

For High / Moderate Ambients:
 Good: Package B
 Better: Package D
 Best: Package F

For further details, visit our website and see Application Bulletin KAB-0101-02-1: "About Heated And Insulated Receivers" or contact your local sales representative.

- **Reduces compressor energy consumption and run time**
 - **EC motor technology further saves energy and reduces electrical requirements**
- **Lowered environmental impact through reduced refrigerant use**
 - **Stable system performance in lower ambients**

What is Limitrol+? Limitrol+ combines various technologies into a responsive system that floats head pressure, saving energy and reduces environmental impact. Unlike competitive systems, Limitrol+ combines variable speed EC motor technology, condenser portioning and various systems modifications to provide the ultimate in performance and control. As a result, Limitrol+ functions in much colder ambients where previous systems have proven ineffective.

What does it do? Conventional head pressure control systems maintain a constant head pressure regardless of ambient temperatures. Limitrol+ intelligently responds to ambient conditions to float head pressure without sacrificing system performance at lower temperatures.

What are its applications?

- Condensing units over 5 HP
- Ideally suited and most effective in applications with fluctuating ambients
- Perfect for installations where reduced refrigerant charges are desired or required.

How much can Limitrol+ save you?

MODEL	Philadelphia, PA		New York, NY		Boston, MA		Charlotte, NC		Atlanta, GA		Los Angeles, CA		St Louis, MO		St. Paul, MN		Toronto, ONT	
	%	\$	%	\$	%	\$	%	\$	%	\$	%	\$	%	\$	%	\$	%	\$
5 HP Cooler	22	616	23	1,099	25	1,081	18	474	16	521	16	835	20	624	25	798	27	638
7.5 HP Cooler	21	1,008	22	1,805	23	1,707	18	843	17	954	17	1,499	19	1,053	24	1,270	25	1,000
10 HP Cooler	18	1,204	18	2,131	20	2,095	15	975	14	1,089	18	2,446	16	1,227	20	1,529	21	1,223
15 HP Cooler	19	1,852	20	3,300	21	3,170	16	1,567	15	1,767	19	3,570	17	1,916	22	2,337	22	1,834
6 HP Freezer	24	903	25	1,621	26	1,548	21	753	20	848	23	1,548	22	928	26	1,119	27	891
7.5 HP Freezer	21	994	21	1,783	23	1,726	17	800	16	891	18	1,591	19	1,012	23	1,255	24	1,004
13 HP Freezer	19	1,425	19	2,535	21	2,450	16	1,150	15	1,286	15	2,110	17	1,471	21	1,798	22	1,428
15 HP Freezer	18	1,602	19	2,846	20	2,717	16	1,312	15	1,479	14	2,224	17	1,672	20	2,009	21	1,587

* The above is a BIN Hour Analysis. Weather data was used from ASHRAE Weather Data Viewer and electrical rates for each city are based on data from EIA (U.S. Energy Information Administration).
 ** Above numbers do not include refrigerant savings, and further cost savings can be expected.

For more information on Head Pressure Control, please refer to our “Head Pressure Control Application Guide” (Bulletin K40-HPC-AG)

CAPACITY DATA - R407A
HIGH TEMPERATURE

MODEL KMS	SATURATED SUCTION TEMPERATURE F° (C°)	CAPACITY BTU/H (WATTS) R407A AMBIENT TEMPERATURE °F (°C)							
		85 (29.4)	90 (32.2)	95 (35.0)	100 (37.8)	105 (40.6)	110 (43.3)		
KMS075H8-A	45 (7.2)	100000 (29310)	96100 (28160)	92300 (27050)	88400 (25910)	84500 (24760)	80600 (23620)	76800 (22510)	73300 (21480)
Comp. Model	40 (4.4)	91000 (26670)	87500 (25640)	83900 (24590)	80300 (23530)	76800 (22510)	73300 (21480)	70000 (20400)	66400 (19460)
2DL3R78KE	35 (1.7)	82600 (24210)	79400 (23270)	76100 (22300)	72900 (21360)	69600 (20400)	66400 (19460)	63200 (18520)	60000 (17580)
KMS076H8-A	45 (7.2)	110800 (32470)	106500 (31210)	102100 (29920)	97800 (28660)	93500 (27400)	89100 (26110)	84800 (24850)	80500 (23590)
Comp. Model	40 (4.4)	101100 (29630)	97200 (28490)	93200 (27310)	89300 (26170)	85400 (25030)	81400 (23860)	77500 (22740)	73600 (21620)
2DA3R89KE	35 (1.7)	92000 (26960)	88400 (25910)	84800 (24850)	81200 (23800)	77600 (22740)	73900 (21660)	70300 (20610)	66700 (19560)
KMS080H8-A	45 (7.2)	134100 (39300)	128800 (37750)	123700 (36250)	118400 (34700)	113400 (33230)	108400 (31770)	103400 (30300)	98400 (28840)
Comp. Model	40 (4.4)	123000 (36050)	118200 (34640)	113400 (33230)	108700 (31860)	104100 (30510)	99400 (29130)	94700 (27760)	90000 (26390)
3DA3R10ME	35 (1.7)	112200 (32880)	107900 (31620)	103600 (30360)	99300 (29100)	95000 (27840)	90800 (26610)	86500 (25350)	82200 (24090)
KMS100H8-A	45 (7.2)	160700 (47100)	154600 (45310)	148500 (43520)	142300 (41700)	136200 (39920)	130000 (38100)	123800 (36300)	117600 (34500)
Comp. Model	40 (4.4)	147300 (43170)	141800 (41560)	136200 (39920)	130600 (38270)	125000 (36630)	119400 (34990)	113800 (33350)	108200 (31710)
3DB3R12ME	35 (1.7)	134500 (39420)	129500 (37950)	124400 (36460)	119400 (34990)	114200 (33470)	109100 (31970)	104000 (30460)	98900 (28950)
KMS120H8-A	45 (7.2)	189100 (55420)	181700 (53250)	174200 (51050)	166700 (48850)	159400 (46720)	152000 (44550)	144600 (42400)	137200 (40250)
Comp. Model	40 (4.4)	173500 (50850)	166600 (48830)	159900 (46860)	153100 (44870)	146400 (42910)	139700 (40940)	133000 (38970)	126300 (37000)
3DF3R15ME	35 (1.7)	158300 (46390)	152100 (44580)	146100 (42820)	139900 (41000)	133700 (39180)	127600 (37400)	121400 (35620)	115200 (33840)
KMS150H8-A	45 (7.2)	210100 (61570)	201800 (59140)	193600 (56740)	185600 (54390)	177700 (52080)	169800 (49760)	161900 (47450)	154000 (45140)
Comp. Model	40 (4.4)	192900 (56530)	185400 (54340)	178100 (52200)	170700 (50030)	163600 (47950)	156500 (45870)	149400 (43790)	142300 (41710)
3DS3R17ME	35 (1.7)	176300 (51670)	169600 (49700)	163000 (47770)	156300 (45810)	149800 (43900)	143400 (42030)	137000 (40160)	130600 (38290)
KMS200H8-A	45 (7.2)	231400 (67820)	222100 (65090)	212500 (62280)	202600 (59380)	192400 (56390)	182000 (53340)	171600 (50350)	161200 (47310)
Comp. Model	40 (4.4)	211700 (62040)	203200 (59550)	194400 (56970)	185400 (54340)	176200 (51640)	166600 (48830)	157400 (46020)	148200 (43210)
4DANR18ME	35 (1.7)	193000 (56560)	185300 (54310)	177300 (51960)	169200 (49590)	160800 (47130)	152200 (44610)	143800 (42150)	135400 (39690)

NOTES: - Above ratings are based on mean temperature. - To convert to dew point ratings, use 0.95 multiplier.

CAPACITY DATA - R407A
MEDIUM TEMPERATURE

MODEL KMS	SATURATED SUCTION TEMPERATURE		CAPACITY BTU/H (WATTS) R407A AMBIENT TEMPERATURE °F (°C)									
	° F	° C	85 (29.4)	90 (32.2)	95 (35.0)	100 (37.8)	105 (40.6)	110 (43.3)				
KMS075M8-A Compressor Model 2DL3R78KE	30	(-1.1)	74700 (21890)	71700 (21010)	68800 (20160)	65700 (19250)	62900 (18430)	60000 (17580)				
	25	(-3.9)	67200 (19690)	64600 (18930)	61800 (18110)	59200 (17350)	56600 (16590)	54100 (15860)				
	20	(-6.7)	60300 (17670)	58000 (17000)	55500 (16270)	53200 (15590)	50900 (14920)	48600 (14240)				
	15	(-9.4)	54000 (15830)	51900 (15210)	49800 (14590)	47700 (13980)	45700 (13390)	43700 (12810)				
	10	(-12.2)	48100 (14100)	46200 (13540)	44400 (13010)	42700 (12510)	41000 (12020)	39400 (11550)				
	5	(-15)	42700 (12510)	41200 (12070)	39700 (11630)	38200 (11200)	36800 (10780)	35500 (10400)				
0	(-17.8)	37900 (11110)	36600 (10730)	35400 (10370)	34200 (10020)	33200 (9730)	32100 (9410)					
KMS076M8-A Compressor Model 2DA3R89KE	30	(-1.1)	83400 (24440)	80100 (23470)	76900 (22540)	73500 (21540)	70200 (20570)	67000 (19640)				
	25	(-3.9)	75300 (22070)	72200 (21160)	69300 (20310)	66400 (19460)	63400 (18580)	60400 (17700)				
	20	(-6.7)	67600 (19810)	65000 (19050)	62300 (18260)	59600 (17470)	56900 (16680)	54300 (15910)				
	15	(-9.4)	60600 (17760)	58200 (17060)	55800 (16350)	53300 (15620)	50900 (14920)	48500 (14210)				
	10	(-12.2)	54000 (15830)	51900 (15210)	49700 (14570)	47600 (13950)	45400 (13310)	43300 (12690)				
	5	(-15)	48000 (14070)	46000 (13480)	44100 (12920)	42200 (12370)	40300 (11810)	38300 (11220)				
0	(-17.8)	42400 (12430)	40700 (11930)	39100 (11460)	37300 (10930)	35600 (10430)	33800 (9910)					
KMS080M8-A Compressor Model 3DA3R10ME	30	(-1.1)	102100 (29920)	98100 (28750)	94100 (27580)	90200 (26430)	86300 (25290)	82400 (24150)				
	25	(-3.9)	92200 (27020)	88600 (25970)	85100 (24940)	81500 (23890)	77900 (22830)	74200 (21750)				
	20	(-6.7)	83100 (24350)	79800 (23390)	76400 (22390)	73200 (21450)	69800 (20460)	66500 (19490)				
	15	(-9.4)	74300 (21780)	71400 (20930)	68400 (20050)	65300 (19140)	62200 (18230)	59000 (17290)				
	10	(-12.2)	66300 (19430)	63500 (18610)	60700 (17790)	57900 (16970)	54800 (16060)	51900 (15210)				
	5	(-15)	58800 (17230)	56300 (16500)	53600 (15710)	50800 (14890)	48000 (14070)	45000 (13190)				
0	(-17.8)	52000 (15240)	49600 (14540)	46900 (13740)	44200 (12950)	41500 (12160)	38600 (11310)					
KMS100M8-A Compressor Model 3DB3R12ME	30	(-1.1)	122300 (35840)	117800 (34520)	113200 (33180)	108600 (31830)	103800 (30420)	99100 (29040)				
	25	(-3.9)	110700 (32440)	106700 (31270)	102500 (30040)	98300 (28810)	93900 (27520)	89600 (26260)				
	20	(-6.7)	99900 (29280)	96100 (28160)	92300 (27050)	88400 (25910)	84400 (24740)	80300 (23530)				
	15	(-9.4)	89600 (26260)	86200 (25260)	82700 (24240)	79200 (23210)	75400 (22100)	71500 (20950)				
	10	(-12.2)	80100 (23470)	77000 (22570)	73700 (21600)	70400 (20630)	66800 (19580)	63100 (18490)				
	5	(-15)	71300 (20900)	68500 (20080)	65300 (19140)	62100 (18200)	58700 (17200)	55100 (16150)				
0	(-17.8)	63300 (18550)	60500 (17730)	57500 (16850)	54400 (15940)	51000 (14950)	47600 (13950)					
KMS120M8-A Compressor Model 3DF3R15ME	30	(-1.1)	143700 (42110)	138200 (40500)	132600 (38860)	127100 (37250)	121400 (35580)	116000 (34000)				
	25	(-3.9)	129900 (38070)	124800 (36580)	119900 (35140)	114800 (33640)	109600 (32120)	104500 (30630)				
	20	(-6.7)	116700 (34200)	112200 (32880)	107700 (31560)	103100 (30220)	98400 (28840)	93600 (27430)				
	15	(-9.4)	104400 (30600)	100400 (29420)	96300 (28220)	92000 (26960)	87700 (25700)	83200 (24380)				
	10	(-12.2)	92900 (27230)	89400 (26200)	85600 (25090)	81600 (23910)	77500 (22710)	73300 (21480)				
	5	(-15)	82400 (24150)	79200 (23210)	75600 (22160)	71900 (21070)	68000 (19930)	64100 (18790)				
0	(-17.8)	73000 (21390)	69900 (20490)	66600 (19520)	63100 (18490)	59300 (17380)	55400 (16240)					
KMS150M8-A Compressor Model 3DS3R17ME	30	(-1.1)	160400 (47010)	154500 (45280)	148500 (43520)	142500 (41760)	136600 (40030)	130700 (38300)				
	25	(-3.9)	145400 (42610)	140000 (41030)	134600 (39450)	129300 (37890)	123900 (36310)	118700 (34790)				
	20	(-6.7)	131100 (38420)	126200 (36990)	121400 (35580)	116600 (34170)	111700 (32740)	106800 (31300)				
	15	(-9.4)	117700 (34490)	113300 (33200)	108900 (31920)	104500 (30630)	100000 (29310)	95400 (27960)				
	10	(-12.2)	105100 (30800)	101100 (29630)	97000 (28430)	92900 (27230)	88800 (26020)	84500 (24760)				
	5	(-15)	93300 (27340)	89700 (26290)	85900 (25170)	82000 (24030)	78100 (22890)	74100 (21720)				
0	(-17.8)	82500 (24180)	79100 (23180)	75500 (22130)	71800 (21040)	67900 (19900)	64100 (18790)					
KMS200M8-A Compressor Model 4DANR18ME	30	(-1.1)	175300 (51380)	168300 (49320)	161200 (47240)	153900 (45100)	146400 (42910)	138700 (40650)				
	25	(-3.9)	158600 (46480)	152400 (44660)	146100 (42820)	139600 (40910)	132900 (38950)	125900 (36900)				
	20	(-6.7)	143000 (41910)	137400 (40270)	131800 (38630)	126100 (36960)	120100 (35200)	114000 (33410)				
	15	(-9.4)	128300 (37600)	123400 (36160)	118400 (34700)	113400 (33230)	108200 (31710)	102800 (30130)				
	10	(-12.2)	114500 (33560)	110200 (32300)	105800 (31010)	101400 (29720)	96900 (28400)	92300 (27050)				
	5	(-15)	101600 (29780)	97700 (28630)	93900 (27520)	90100 (26410)	86300 (25290)	82300 (24120)				
0	(-17.8)	89300 (26170)	86000 (25200)	82700 (24240)	79400 (23270)	76100 (22300)	72800 (21340)					

NOTES: - Above ratings are based on mean temperature. - To convert to dew point ratings, use 0.95 multiplier.

CAPACITY DATA - R407A
LOW TEMPERATURE

MODEL KMS	SATURATED SUCTION TEMPERATURE		CAPACITY BTU/H (WATTS) R407A AMBIENT TEMPERATURE °F (°C)									
	° F	° C	85 (29.4)	90 (32.2)	95 (35.0)	100 (37.8)	105 (40.6)	110 (43.3)				
KMS075L8-A Compressor Model 3DB3F33KE	0	(-17.8)	59900 (17550)	57400 (16820)	55100 (16150)	52800 (15470)	50500 (14800)	48200 (14130)				
	-5	(-20.6)	53100 (15560)	50800 (14890)	48600 (14240)	46400 (13600)	44200 (12950)	42100 (12340)				
	-10	(-23.3)	46900 (13740)	44800 (13130)	42700 (12510)	40700 (11930)	38600 (11310)	36600 (10730)				
	-15	(-26.1)	41400 (12130)	39500 (11580)	37500 (10990)	35500 (10400)	33600 (9850)	31700 (9290)				
	-20	(-28.9)	36300 (10640)	34400 (10080)	32700 (9580)	30800 (9030)	29000 (8500)	27100 (7940)				
	-25	(-31.7)	31600 (9260)	29900 (8760)	28100 (8240)	26400 (7740)	24700 (7240)	22900 (6710)				
	-30	(-34.4)	27100 (7940)	25500 (7470)	23900 (7000)	22300 (6540)	20600 (6040)	18900 (5540)				
	-35	(-37.2)	22900 (6710)	21300 (6240)	19700 (5770)	18200 (5330)	16600 (4860)	15000 (4400)				
	-40	(-40.0)	18600 (5450)	17200 (5040)	15800 (4630)	14200 (4160)	12700 (3720)	11100 (3250)				
KMS090L8-A Compressor Model 3DF3F40KE	0	(-17.8)	71100 (20840)	68300 (20020)	65500 (19200)	62800 (18400)	60100 (17610)	-				
	-5	(-20.6)	63200 (18520)	60600 (17760)	57900 (16970)	55200 (16180)	52600 (15420)	-				
	-10	(-23.3)	55900 (16380)	53300 (15620)	50800 (14890)	48300 (14160)	45900 (13450)	43400 (12720)				
	-15	(-26.1)	49100 (14390)	46700 (13690)	44300 (12980)	41900 (12280)	39600 (11610)	37300 (10930)				
	-20	(-28.9)	42700 (12510)	40500 (11870)	38300 (11220)	36000 (10550)	33800 (9910)	31600 (9260)				
	-25	(-31.7)	36900 (10810)	34800 (10200)	32700 (9580)	30600 (8970)	28500 (8350)	26500 (7770)				
	-30	(-34.4)	31300 (9170)	29400 (8620)	27400 (8030)	25500 (7470)	23600 (6920)	21700 (6360)				
	-35	(-37.2)	26000 (7620)	24400 (7150)	22600 (6620)	20800 (6100)	19000 (5570)	17300 (5070)				
	-40	(-40.0)	21100 (6180)	19500 (5710)	18000 (5280)	16400 (4810)	14800 (4340)	13200 (3870)				
KMS100L8-A Compressor Model 3DS3F46KE	0	(-17.8)	78500 (23010)	75500 (22130)	72500 (21250)	69300 (20310)	66000 (19340)	-				
	-5	(-20.6)	69600 (20400)	66800 (19580)	63900 (18730)	61000 (17880)	58000 (17000)	54800 (16060)				
	-10	(-23.3)	61500 (18020)	58800 (17230)	56200 (16470)	53400 (15650)	50600 (14830)	47800 (14010)				
	-15	(-26.1)	54000 (15830)	51600 (15120)	49000 (14360)	46500 (13630)	43900 (12870)	41300 (12100)				
	-20	(-28.9)	47100 (13800)	44800 (13130)	42500 (12460)	40100 (11750)	37800 (11080)	35300 (10350)				
	-25	(-31.7)	40600 (11900)	38500 (11280)	36400 (10670)	34200 (10020)	32000 (9380)	29800 (8730)				
	-30	(-34.4)	34500 (10110)	32700 (9580)	30700 (9000)	28700 (8410)	26700 (7820)	24700 (7240)				
	-35	(-37.2)	28800 (8440)	27000 (7910)	25200 (7390)	23400 (6860)	21600 (6330)	19800 (5800)				
	-40	(-40.0)	23100 (6770)	21500 (6300)	19800 (5800)	18300 (5360)	16700 (4890)	15000 (4400)				
KMS120L8-A Compressor Model 4DANF47KE	0	(-17.8)	87900 (25760)	84200 (24680)	80500 (23590)	76700 (22480)	72900 (21360)	68900 (20190)				
	-5	(-20.6)	78000 (22860)	74800 (21920)	71400 (20930)	68000 (19930)	64400 (18870)	60800 (17820)				
	-10	(-23.3)	68800 (20160)	65800 (19280)	62700 (18380)	59600 (17470)	56400 (16530)	53100 (15560)				
	-15	(-26.1)	60000 (17580)	57300 (16790)	54500 (15970)	51700 (15150)	48700 (14270)	45700 (13390)				
	-20	(-28.9)	51800 (15180)	49400 (14480)	46900 (13740)	44300 (12980)	41500 (12160)	38700 (11340)				
	-25	(-31.7)	44200 (12950)	42000 (12310)	39700 (11630)	37300 (10930)	34800 (10200)	32200 (9440)				
	-30	(-34.4)	37200 (10900)	35200 (10320)	33100 (9700)	30900 (9060)	28500 (8350)	26100 (7650)				
	-35	(-37.2)	30800 (9030)	29000 (8500)	27000 (7910)	24900 (7300)	22800 (6680)	20500 (6010)				
	-40	(-40.0)	25100 (7360)	23400 (6860)	21500 (6300)	19600 (5740)	17500 (5130)	15300 (4480)				
KMS130L8-A Compressor Model 4DBNF54KE	0	(-17.8)	95300 (27930)	91400 (26790)	87400 (25610)	83200 (24380)	79000 (23150)	74600 (21860)				
	-5	(-20.6)	84800 (24850)	81200 (23800)	77500 (22710)	73700 (21600)	69800 (20460)	65800 (19280)				
	-10	(-23.3)	74800 (21920)	71500 (20950)	68100 (19960)	64700 (18960)	61100 (17910)	57400 (16820)				
	-15	(-26.1)	65300 (19140)	62400 (18290)	59300 (17380)	56200 (16470)	52800 (15470)	49500 (14510)				
	-20	(-28.9)	56400 (16530)	53800 (15770)	50900 (14920)	48100 (14100)	45000 (13190)	42000 (12310)				
	-25	(-31.7)	48200 (14130)	45700 (13390)	43200 (12660)	40500 (11870)	37800 (11080)	34900 (10230)				
	-30	(-34.4)	40500 (11870)	38300 (11220)	36000 (10550)	33500 (9820)	31000 (9090)	28200 (8260)				
	-35	(-37.2)	33600 (9850)	31600 (9260)	29400 (8620)	27100 (7940)	24700 (7240)	22200 (6510)				
	-40	(-40.0)	27400 (8030)	25500 (7470)	23400 (6860)	21300 (6240)	19000 (5570)	16600 (4860)				
KMS150L8-A Compressor Model 4DHNF63KE	0	(-17.8)	107000 (31360)	102400 (30010)	97900 (28690)	93200 (27310)	88700 (26000)	-				
	-5	(-20.6)	95900 (28110)	91800 (26900)	87600 (25670)	83500 (24470)	79300 (23240)	75200 (22040)				
	-10	(-23.3)	85300 (25000)	81600 (23910)	77800 (22800)	74000 (21690)	70200 (20570)	66500 (19490)				
	-15	(-26.1)	75300 (22070)	71900 (21070)	68600 (20100)	65100 (19080)	61700 (18080)	58300 (17090)				
	-20	(-28.9)	65800 (19280)	62900 (18430)	59900 (17550)	56700 (16620)	53700 (15740)	50500 (14800)				
	-25	(-31.7)	57000 (16700)	54400 (15940)	51700 (15150)	48800 (14300)	46000 (13480)	43200 (12660)				
	-30	(-34.4)	48900 (14330)	46500 (13630)	44000 (12900)	41500 (12160)	38900 (11400)	36200 (10610)				
	-35	(-37.2)	41500 (12160)	39300 (11520)	37000 (10840)	34500 (10110)	32200 (9440)	29700 (8700)				
	-40	(-40.0)	34700 (10170)	32600 (9550)	30500 (8940)	28200 (8260)	26000 (7620)	23700 (6950)				
KMS220L8-A Compressor Model 4DJNF76KE	0	(-17.8)	135100 (39590)	129600 (37980)	124000 (36340)	118200 (34640)	112500 (32970)	-				
	-5	(-20.6)	119800 (35110)	114700 (33620)	109400 (32060)	104200 (30540)	98700 (28930)	-				
	-10	(-23.3)	105500 (30920)	100800 (29540)	96000 (28130)	91000 (26670)	86100 (25230)	81100 (23770)				
	-15	(-26.1)	92300 (27050)	88000 (25790)	83700 (24530)	79200 (23210)	74700 (21890)	70000 (20510)				
	-20	(-28.9)	80300 (23530)	76400 (22390)	72600 (21280)	68600 (20100)	64500 (18900)	60300 (17670)				
	-25	(-31.7)	69500 (20370)	66200 (19400)	62700 (18380)	59200 (17350)	55700 (16320)	52000 (15240)				
	-30	(-34.4)	60100 (17610)	57100 (16730)	54200 (15880)	51200 (15010)	48100 (14100)	44900 (13160)				
	-35	(-37.2)	51900 (15210)	49600 (14540)	47100 (13800)	44600 (13070)	42100 (12340)	39400 (11550)				
	-40	(-40.0)	45200 (13250)	43400 (12720)	41500 (12160)	39600 (11610)	37600 (11020)	35500 (10400)				

CAPACITY DATA - R448A R449A
HIGH TEMPERATURE

MODEL KMS	SATURATED SUCTION TEMPERATURE F° (C°)	CAPACITY BTU/H (WATTS) R448A R449A AMBIENT TEMPERATURE °F (°C)									
		85 (29.4)	90 (32.2)	95 (35.0)	100 (37.8)	105 (40.6)	110 (43.3)				
KMS075H8-A	45 (7.2)	100400 (29420)	96600 (28310)	92900 (27230)	89100 (26110)	85400 (25030)	81600 (23910)				
Comp. Model 2DL3R78KE	40 (4.4) 35 (1.7)	91700 (26870) 83500 (24470)	88300 (25880) 80400 (23560)	84800 (24850) 77300 (22650)	81400 (23860) 74100 (21720)	77900 (22830) 71000 (20810)	74400 (21800) 67800 (19870)				
KMS076H8-A	45 (7.2)	111700 (32740)	107400 (31480)	103100 (30220)	98800 (28960)	94500 (27700)	90100 (26410)				
Comp. Model 2DA3R89KE	40 (4.4) 35 (1.7)	102500 (30040) 93600 (27430)	98500 (28870) 90000 (26380)	94600 (27720) 86300 (25290)	90600 (26550) 82700 (24240)	86600 (25380) 79100 (23180)	82600 (24210) 75400 (22100)				
KMS080H8-A	45 (7.2)	135300 (39650)	130100 (38130)	125000 (36630)	119700 (35080)	114600 (33590)	109500 (32090)				
Comp. Model 3DA3R10ME	40 (4.4) 35 (1.7)	124500 (36490) 114000 (33410)	119800 (35110) 109700 (32150)	115100 (33730) 105400 (30890)	110300 (32330) 101100 (29630)	105600 (30950) 96800 (28370)	100900 (29570) 92500 (27110)				
KMS100H8-A	45 (7.2)	162100 (47510)	156000 (45720)	149900 (43930)	143700 (42110)	137600 (40330)	131400 (38510)				
Comp. Model 3DB3R12ME	40 (4.4) 35 (1.7)	149100 (43700) 136600 (40030)	143600 (42080) 131700 (38600)	138100 (40470) 126600 (37100)	132500 (38830) 121500 (35610)	126800 (37160) 116300 (34080)	121100 (35490) 111100 (32560)				
KMS120H8-A	45 (7.2)	191000 (55980)	183500 (53780)	176100 (51610)	168600 (49410)	161200 (47240)	153700 (45040)				
Comp. Model 3DF3R15ME	40 (4.4) 35 (1.7)	175800 (51520) 161000 (47180)	169100 (49560) 154900 (45400)	162200 (47540) 148700 (43580)	155400 (45540) 142500 (41760)	148600 (43550) 136300 (39950)	141900 (41590) 130100 (38130)				
KMS150H8-A	45 (7.2)	215600 (63190)	207300 (60750)	199000 (58320)	190700 (55890)	182500 (53490)	174400 (51110)				
Comp. Model 3DS3R17ME	40 (4.4) 35 (1.7)	198700 (58230) 182300 (53430)	191100 (56010) 175500 (51430)	183600 (53810) 168700 (49440)	176200 (51640) 161900 (47450)	168700 (49440) 155300 (45510)	161500 (47330) 148700 (43580)				
KMS200H8-A	45 (7.2)	233300 (68370)	224000 (65650)	214400 (62830)	204400 (59900)	194100 (56880)	183500 (53780)				
Comp. Model 4DANR18ME	40 (4.4) 35 (1.7)	214200 (62780) 196000 (57440)	205700 (60280) 188300 (55190)	196900 (57710) 180300 (52840)	187900 (55070) 172200 (50470)	178500 (52310) 163700 (47980)	168800 (49470) 154900 (45400)				

NOTES: - Above ratings are based on mean temperature. - To convert to dew point ratings, use 0.95 multiplier. - For R449A, use R448A data.

CAPACITY DATA - R448A R449A
MEDIUM TEMPERATURE

MODEL KMS	SATURATED SUCTION TEMPERATURE		CAPACITY BTU/H (WATTS)					AMBIENT TEMPERATURE °F (°C)						
	°F	°C	85 (29.4)	90 (32.2)	95 (35.0)	100 (37.8)	105 (40.6)	110 (43.3)	85 (29.4)	90 (32.2)	95 (35.0)	100 (37.8)	105 (40.6)	110 (43.3)
KMS075M8-A Compressor Model 2DL3R78KE	30	(-1.1)	75800 (22210)	73100 (21420)	70200 (20570)	67400 (19750)	64500 (18900)	61600 (18050)	75800 (22210)	73100 (21420)	70200 (20570)	67400 (19750)	64500 (18900)	61600 (18050)
	25	(-3.9)	68700 (20130)	66200 (19400)	63600 (18640)	61000 (17880)	58500 (17140)	55900 (16380)	68700 (20130)	66200 (19400)	63600 (18640)	61000 (17880)	58500 (17140)	55900 (16380)
	20	(-6.7)	62100 (18200)	59700 (17500)	57400 (16820)	55100 (16150)	52800 (15470)	50500 (14800)	62100 (18200)	59700 (17500)	57400 (16820)	55100 (16150)	52800 (15470)	50500 (14800)
	15	(-9.4)	55900 (16380)	53800 (15770)	51800 (15180)	49700 (14570)	47600 (13950)	45500 (13330)	55900 (16380)	53800 (15770)	51800 (15180)	49700 (14570)	47600 (13950)	45500 (13330)
	10	(-12.2)	50000 (14650)	48200 (14130)	46400 (13600)	44500 (13040)	42600 (12480)	40800 (11960)	50000 (14650)	48200 (14130)	46400 (13600)	44500 (13040)	42600 (12480)	40800 (11960)
	5	(-15)	44600 (13070)	43100 (12630)	41400 (12130)	39700 (11630)	38000 (11140)	36300 (10640)	44600 (13070)	43100 (12630)	41400 (12130)	39700 (11630)	38000 (11140)	36300 (10640)
0	(-17.8)	39600 (11610)	38100 (11170)	36600 (10730)	35200 (10320)	33700 (9880)	32200 (9440)	39600 (11610)	38100 (11170)	36600 (10730)	35200 (10320)	33700 (9880)	32200 (9440)	
KMS076M8-A Compressor Model 2DA3R89KE	30	(-1.1)	85100 (24940)	81800 (23970)	78500 (23010)	75200 (22040)	71900 (21070)	68600 (20100)	85100 (24940)	81800 (23970)	78500 (23010)	75200 (22040)	71900 (21070)	68600 (20100)
	25	(-3.9)	77000 (22570)	74000 (21690)	71100 (20840)	68000 (19930)	65100 (19080)	62100 (18200)	77000 (22570)	74000 (21690)	71100 (20840)	68000 (19930)	65100 (19080)	62100 (18200)
	20	(-6.7)	69300 (20310)	66700 (19550)	64100 (18790)	61300 (17970)	58700 (17200)	56000 (16410)	69300 (20310)	66700 (19550)	64100 (18790)	61300 (17970)	58700 (17200)	56000 (16410)
	15	(-9.4)	62200 (18230)	59900 (17550)	57400 (16820)	55000 (16120)	52600 (15420)	50200 (14710)	62200 (18230)	59900 (17550)	57400 (16820)	55000 (16120)	52600 (15420)	50200 (14710)
	10	(-12.2)	55500 (16270)	53400 (15650)	51300 (15030)	49100 (14390)	46900 (13740)	44800 (13130)	55500 (16270)	53400 (15650)	51300 (15030)	49100 (14390)	46900 (13740)	44800 (13130)
	5	(-15)	49500 (14510)	47600 (13950)	45600 (13360)	43700 (12810)	41700 (12220)	39800 (11660)	49500 (14510)	47600 (13950)	45600 (13360)	43700 (12810)	41700 (12220)	39800 (11660)
0	(-17.8)	43800 (12840)	42100 (12340)	40300 (11810)	38600 (11310)	36900 (10810)	35200 (10320)	43800 (12840)	42100 (12340)	40300 (11810)	38600 (11310)	36900 (10810)	35200 (10320)	
KMS080M8-A Compressor Model 3DA3R10ME	30	(-1.1)	104000 (30480)	100100 (29340)	96100 (28160)	92200 (27020)	88200 (25850)	84300 (24710)	104000 (30480)	100100 (29340)	96100 (28160)	92200 (27020)	88200 (25850)	84300 (24710)
	25	(-3.9)	94200 (27610)	90700 (26580)	87200 (25560)	83500 (24470)	79900 (23420)	76300 (22360)	94200 (27610)	90700 (26580)	87200 (25560)	83500 (24470)	79900 (23420)	76300 (22360)
	20	(-6.7)	84900 (24880)	81800 (23970)	78500 (23010)	75200 (22040)	71900 (21070)	68600 (20100)	84900 (24880)	81800 (23970)	78500 (23010)	75200 (22040)	71900 (21070)	68600 (20100)
	15	(-9.4)	76200 (22330)	73300 (21480)	70400 (20630)	67300 (19720)	64200 (18820)	61100 (17910)	76200 (22330)	73300 (21480)	70400 (20630)	67300 (19720)	64200 (18820)	61100 (17910)
	10	(-12.2)	68000 (19930)	65400 (19170)	62600 (18350)	59700 (17500)	56900 (16680)	54000 (15830)	68000 (19930)	65400 (19170)	62600 (18350)	59700 (17500)	56900 (16680)	54000 (15830)
	5	(-15)	60500 (17730)	58000 (17000)	55300 (16210)	52700 (15440)	49900 (14620)	47100 (13800)	60500 (17730)	58000 (17000)	55300 (16210)	52700 (15440)	49900 (14620)	47100 (13800)
0	(-17.8)	53400 (15650)	51100 (14980)	48600 (14240)	46100 (13510)	43400 (12720)	40600 (11900)	53400 (15650)	51100 (14980)	48600 (14240)	46100 (13510)	43400 (12720)	40600 (11900)	
KMS100M8-A Compressor Model 3DB3R12ME	30	(-1.1)	124500 (36490)	120100 (35200)	115500 (33850)	110900 (32500)	106200 (31120)	101300 (29690)	124500 (36490)	120100 (35200)	115500 (33850)	110900 (32500)	106200 (31120)	101300 (29690)
	25	(-3.9)	113100 (33150)	109000 (31940)	104900 (30740)	100700 (29510)	96300 (28220)	91900 (26930)	113100 (33150)	109000 (31940)	104900 (30740)	100700 (29510)	96300 (28220)	91900 (26930)
	20	(-6.7)	102200 (29950)	98500 (28870)	94700 (27750)	90800 (26610)	86800 (25440)	82800 (24270)	102200 (29950)	98500 (28870)	94700 (27750)	90800 (26610)	86800 (25440)	82800 (24270)
	15	(-9.4)	91900 (26930)	88500 (25940)	85100 (24940)	81500 (23890)	77800 (22800)	74000 (21690)	91900 (26930)	88500 (25940)	85100 (24940)	81500 (23890)	77800 (22800)	74000 (21690)
	10	(-12.2)	82200 (24090)	79200 (23210)	76000 (22270)	72700 (21310)	69200 (20280)	65600 (19230)	82200 (24090)	79200 (23210)	76000 (22270)	72700 (21310)	69200 (20280)	65600 (19230)
	5	(-15)	73300 (21480)	70500 (20660)	67500 (19780)	64400 (18870)	61100 (17910)	57600 (16880)	73300 (21480)	70500 (20660)	67500 (19780)	64400 (18870)	61100 (17910)	57600 (16880)
0	(-17.8)	65100 (19080)	62500 (18320)	59600 (17470)	56600 (16590)	53400 (15650)	50100 (14680)	65100 (19080)	62500 (18320)	59600 (17470)	56600 (16590)	53400 (15650)	50100 (14680)	
KMS120M8-A Compressor Model 3DF3R15ME	30	(-1.1)	146500 (42930)	141000 (41320)	135500 (39710)	129900 (38070)	124200 (36400)	118500 (34730)	146500 (42930)	141000 (41320)	135500 (39710)	129900 (38070)	124200 (36400)	118500 (34730)
	25	(-3.9)	132600 (38860)	127800 (37450)	122700 (35960)	117700 (34490)	112600 (33000)	107300 (31450)	132600 (38860)	127800 (37450)	122700 (35960)	117700 (34490)	112600 (33000)	107300 (31450)
	20	(-6.7)	119500 (35020)	115100 (33730)	110600 (32410)	105900 (31040)	101200 (29660)	96500 (28280)	119500 (35020)	115100 (33730)	110600 (32410)	105900 (31040)	101200 (29660)	96500 (28280)
	15	(-9.4)	107000 (31360)	103100 (30220)	99000 (29010)	94800 (27780)	90500 (26520)	86100 (25230)	107000 (31360)	103100 (30220)	99000 (29010)	94800 (27780)	90500 (26520)	86100 (25230)
	10	(-12.2)	95400 (27960)	91900 (26930)	88200 (25850)	84400 (24740)	80400 (23560)	76300 (22360)	95400 (27960)	91900 (26930)	88200 (25850)	84400 (24740)	80400 (23560)	76300 (22360)
	5	(-15)	84800 (24850)	81600 (23910)	78200 (22920)	74700 (21890)	71000 (20810)	67100 (19660)	84800 (24850)	81600 (23910)	78200 (22920)	74700 (21890)	71000 (20810)	67100 (19660)
0	(-17.8)	75200 (22040)	72200 (21160)	69100 (20250)	65700 (19250)	62300 (18260)	58600 (17170)	75200 (22040)	72200 (21160)	69100 (20250)	65700 (19250)	62300 (18260)	58600 (17170)	
KMS150M8-A Compressor Model 3DS3R17ME	30	(-1.1)	166300 (48740)	160200 (46950)	154200 (45190)	148200 (43430)	142200 (41670)	136200 (39920)	166300 (48740)	160200 (46950)	154200 (45190)	148200 (43430)	142200 (41670)	136200 (39920)
	25	(-3.9)	151100 (44280)	145600 (42670)	140300 (41120)	134800 (39510)	129400 (37920)	124000 (36340)	151100 (44280)	145600 (42670)	140300 (41120)	134800 (39510)	129400 (37920)	124000 (36340)
	20	(-6.7)	136600 (40030)	131700 (38600)	126800 (37160)	121900 (35730)	117100 (34320)	112100 (32850)	136600 (40030)	131700 (38600)	126800 (37160)	121900 (35730)	117100 (34320)	112100 (32850)
	15	(-9.4)	122700 (35960)	118400 (34700)	114000 (33410)	109600 (32120)	105200 (30830)	100800 (29540)	122700 (35960)	118400 (34700)	114000 (33410)	109600 (32120)	105200 (30830)	100800 (29540)
	10	(-12.2)	109800 (32180)	105900 (31040)	101900 (29860)	97900 (28690)	93800 (27490)	89800 (26320)	109800 (32180)	105900 (31040)	101900 (29860)	97900 (28690)	93800 (27490)	89800 (26320)
	5	(-15)	97800 (28660)	94200 (27610)	90500 (26520)	86700 (25410)	83000 (24320)	79200 (23210)	97800 (28660)	94200 (27610)	90500 (26520)	86700 (25410)	83000 (24320)	79200 (23210)
0	(-17.8)	86600 (25380)	83300 (24410)	79800 (23390)	76300 (22360)	72800 (21340)	69200 (20280)	86600 (25380)	83300 (24410)	79800 (23390)	76300 (22360)	72800 (21340)	69200 (20280)	
KMS200M8-A Compressor Model 4DANR18ME	30	(-1.1)	178600 (52340)	171700 (50320)	164600 (48240)	157200 (46070)	149600 (43840)	141700 (41530)	178600 (52340)	171700 (50320)	164600 (48240)	157200 (46070)	149600 (43840)	141700 (41530)
	25	(-3.9)	162100 (47510)	155900 (45690)	149600 (43840)	143000 (41910)	136200 (39920)	129200 (37860)	162100 (47510)	155900 (45690)	149600 (43840)	143000 (41910)	136200 (39920)	129200 (37860)
	20	(-6.7)	146500 (42930)	141000 (41320)	135400 (39680)	129600 (37980)	123600 (36220)	117300 (34380)	146500 (42930)	141000 (41320)	135400 (39680)	129600 (37980)	123600 (36220)	117300 (34380)
	15	(-9.4)	131700 (38600)	126900 (37190)	121900 (35730)	116800 (34230)	111600 (32710)	106100 (31090)	131700 (38600)	126900 (37190)	121900 (35730)	116800 (34230)	111600 (32710)	106100 (31090)
	10	(-12.2)	117800 (34520)	113500 (33260)	109100 (31970)	104700 (30680)	100100 (29340)	95400 (27960)	117800 (34520)	113500 (33260)	109100 (31970)	104700 (30680)	100100 (29340)	95400 (27960)
	5	(-15)	104600 (30660)	100800 (29540)	97000 (28430)	93200 (27310)	89300 (26170)	85200 (24970)	104600 (30660)	100800 (29540)	97000 (28430)	93200 (27310)	89300 (26170)	85200 (24970)
0	(-17.8)	92100 (26990)	88800 (26020)	85500 (25060)	82200 (24090)	78800 (23090)	75400 (22100)	92100 (26990)	88800 (26020)	85500 (25060)	82200 (24090)	78800 (23090)	75400 (22100)	

NOTES: - Above ratings are based on mean temperature. - To convert to dew point ratings, use 0.95 multiplier. - For R449A, use R448A data.

CAPACITY DATA - R448A R449A
LOW TEMPERATURE

MODEL KMS	SATURATED SUCTION TEMPERATURE		CAPACITY BTU/H (WATTS) R448A R449A AMBIENT TEMPERATURE °F (°C)									
	° F	° C	85 (29.4)	90 (32.2)	95 (35.0)	100 (37.8)	105 (40.6)	110 (43.3)				
KMS075L8-A Compressor Model 3DB3F33KE	-5 (-20.6)		54800 (16060)	52500 (15390)	50300 (14740)	48000 (14070)	45800 (13420)	43600 (12780)				
	-10 (-23.3)		48500 (14210)	46300 (13570)	44200 (12950)	42100 (12340)	40000 (11720)	37900 (11110)				
	-15 (-26.1)		42700 (12510)	40700 (11930)	38700 (11340)	36800 (10780)	34800 (10200)	32800 (9610)				
	-20 (-28.9)		37600 (11020)	35700 (10460)	33800 (9910)	31800 (9320)	29900 (8760)	28000 (8210)				
	-25 (-31.7)		32800 (9610)	31000 (9090)	29200 (8560)	27400 (8030)	25500 (7470)	23700 (6950)				
	-30 (-34.4)		28400 (8320)	26700 (7820)	25000 (7330)	23200 (6800)	21400 (6270)	19600 (5740)				
	-35 (-37.2)		24200 (7090)	22600 (6620)	21000 (6150)	19200 (5630)	17500 (5130)	15900 (4660)				
-40 (-40.0)		20200 (5920)	18700 (5480)	17100 (5010)	15400 (4510)	13900 (4070)	12200 (3580)					
KMS090L8-A Compressor Model 3DF3F40KE	-5 (-20.6)		65800 (19280)	63000 (18460)	60200 (17640)	57200 (16760)	54300 (15910)	51300 (15030)				
	-10 (-23.3)		58000 (17000)	55300 (16210)	52700 (15440)	50000 (14650)	47300 (13860)	44500 (13040)				
	-15 (-26.1)		50700 (14860)	48300 (14160)	45900 (13450)	43400 (12720)	40800 (11960)	38300 (11220)				
	-20 (-28.9)		44100 (12920)	41900 (12280)	39600 (11610)	37300 (10930)	35000 (10260)	32600 (9550)				
	-25 (-31.7)		38100 (11170)	36000 (10550)	33900 (9940)	31700 (9290)	29500 (8650)	27300 (8000)				
	-30 (-34.4)		32700 (9580)	30800 (9030)	28800 (8440)	26700 (7820)	24600 (7210)	22400 (6560)				
	-35 (-37.2)		27700 (8120)	25800 (7560)	23900 (7000)	21900 (6420)	19800 (5800)	17700 (5190)				
-40 (-40.0)		23100 (6770)	21300 (6240)	19400 (5690)	17400 (5100)	15400 (4510)	13400 (3930)					
KMS100L8-A Compressor Model 3DS3F46KE	-5 (-20.6)		73600 (21570)	70600 (20690)	67400 (19750)	64200 (18820)	60900 (17850)	57600 (16880)				
	-10 (-23.3)		64700 (18960)	61800 (18110)	58900 (17260)	56000 (16410)	53000 (15530)	50000 (14650)				
	-15 (-26.1)		56600 (16590)	54000 (15830)	51200 (15010)	48500 (14210)	45800 (13420)	42900 (12570)				
	-20 (-28.9)		49200 (14420)	46700 (13690)	44300 (12980)	41700 (12220)	39200 (11490)	36500 (10700)				
	-25 (-31.7)		42500 (12460)	40200 (11780)	37900 (11110)	35500 (10400)	33100 (9700)	30600 (8970)				
	-30 (-34.4)		36400 (10670)	34300 (10050)	32100 (9410)	29800 (8730)	27500 (8060)	25100 (7360)				
	-35 (-37.2)		31000 (9090)	28900 (8470)	26700 (7820)	24600 (7210)	22300 (6540)	20000 (5860)				
-40 (-40.0)		25800 (7560)	23800 (6980)	21700 (6360)	19500 (5710)	17300 (5070)	15100 (4430)					
KMS120L8-A Compressor Model 4DANF47KE	-5 (-20.6)		80500 (23590)	77200 (22630)	73800 (21630)	70300 (20600)	66700 (19550)	63000 (18460)				
	-10 (-23.3)		71000 (20810)	68000 (19930)	64900 (19020)	61700 (18080)	58300 (17090)	54900 (16090)				
	-15 (-26.1)		62000 (18170)	59300 (17380)	56400 (16530)	53500 (15680)	50400 (14770)	47300 (13860)				
	-20 (-28.9)		53600 (15710)	51200 (15010)	48600 (14240)	45800 (13420)	43000 (12600)	40100 (11750)				
	-25 (-31.7)		45900 (13450)	43700 (12810)	41300 (12100)	38800 (11370)	36100 (10580)	33400 (9790)				
	-30 (-34.4)		39000 (11430)	36900 (10810)	34600 (10140)	32300 (9470)	29800 (8730)	27300 (8000)				
	-35 (-37.2)		32700 (9580)	30800 (9030)	28700 (8410)	26500 (7770)	24200 (7090)	21700 (6360)				
-40 (-40.0)		27300 (8000)	25500 (7470)	23400 (6860)	21300 (6240)	19100 (5600)	16800 (4920)					
KMS130L8-A Compressor Model 4DBNF54KE	-5 (-20.6)		87600 (25670)	84000 (24620)	80200 (23500)	76300 (22360)	72300 (21190)	68300 (20020)				
	-10 (-23.3)		77300 (22650)	73900 (21660)	70600 (20690)	67000 (19640)	63300 (18550)	59500 (17440)				
	-15 (-26.1)		67500 (19780)	64500 (18900)	61400 (17990)	58200 (17060)	54700 (16030)	51200 (15010)				
	-20 (-28.9)		58500 (17140)	55700 (16320)	52800 (15470)	49800 (14590)	46700 (13690)	43500 (12750)				
	-25 (-31.7)		50100 (14680)	47600 (13950)	44900 (13160)	42100 (12340)	39300 (11520)	36200 (10610)				
	-30 (-34.4)		42500 (12460)	40100 (11750)	37700 (11050)	35100 (10290)	32300 (9470)	29500 (8650)				
	-35 (-37.2)		35700 (10460)	33500 (9820)	31200 (9140)	28800 (8440)	26300 (7710)	23500 (6890)				
-40 (-40.0)		29800 (8730)	27800 (8150)	25500 (7470)	23200 (6800)	20800 (6100)	18200 (5330)					
KMS150L8-A Compressor Model 4DHNF63KE	-5 (-20.6)		98600 (28900)	94500 (27700)	90300 (26460)	86100 (25230)	81900 (24000)	77800 (22800)				
	-10 (-23.3)		87900 (25760)	84100 (24650)	80300 (23530)	76500 (22420)	72700 (21310)	68900 (20190)				
	-15 (-26.1)		77800 (22800)	74400 (21800)	71000 (20810)	67400 (19750)	63900 (18730)	60400 (17700)				
	-20 (-28.9)		68500 (20080)	65300 (19140)	62100 (18200)	58800 (17230)	55500 (16270)	52300 (15330)				
	-25 (-31.7)		59500 (17440)	56700 (16620)	53700 (15740)	50600 (14830)	47500 (13920)	44400 (13010)				
	-30 (-34.4)		51200 (15010)	48400 (14180)	45600 (13360)	42700 (12510)	39700 (11630)	36800 (10780)				
	-35 (-37.2)		43300 (12690)	40600 (11900)	37900 (11110)	35100 (10290)	32100 (9410)	29300 (8590)				
-40 (-40.0)		35700 (10460)	33100 (9700)	30300 (8880)	27600 (8090)	24800 (7270)	21800 (6390)					
KMS220L8-A Compressor Model 4DJNF76KE	-5 (-20.6)		122600 (35930)	117500 (34440)	112200 (32880)	107000 (31360)	101700 (29810)	96400 (28250)				
	-10 (-23.3)		108500 (31800)	103600 (30360)	98800 (28960)	94000 (27550)	88900 (26050)	84000 (24620)				
	-15 (-26.1)		95600 (28020)	91100 (26700)	86600 (25380)	82100 (24060)	77400 (22680)	72800 (21340)				
	-20 (-28.9)		83800 (24560)	79700 (23360)	75500 (22130)	71200 (20870)	66800 (19580)	62400 (18290)				
	-25 (-31.7)		73000 (21390)	69100 (20250)	65100 (19080)	61100 (17910)	57000 (16700)	52800 (15470)				
	-30 (-34.4)		62700 (18380)	59000 (17290)	55300 (16210)	51500 (15090)	47600 (13950)	43600 (12780)				
	-35 (-37.2)		52800 (15470)	49400 (14480)	45900 (13450)	42200 (12370)	38400 (11250)	34700 (10170)				
-40 (-40.0)		43100 (12630)	39800 (11660)	36400 (10670)	33000 (9670)	29400 (8620)	25700 (7530)					

NOTES: - Above ratings are based on mean temperature. - To convert to dew point ratings, use 0.95 multiplier. - For R449A, use R448A data.

CAPACITY DATA - R407C
HIGH TEMPERATURE

MODEL KMS	SATURATED SUCTION TEMPERATURE		CAPACITY BTU/H (WATTS) R407C AMBIENT TEMPERATURE °F (°C)							
	F°	(C°)	85 (29.4)	90 (32.2)	95 (35.0)	100 (37.8)	105 (40.6)	110 (43.3)		
KMS075H8-A Compressor Model 2DL3R78KE	55	(12.8)	123200 (36110)	119700 (35080)	116200 (34050)	112900 (33090)	109500 (32090)	-	-	
	50	(10)	112000 (32820)	108800 (31890)	105500 (30920)	102300 (29980)	99100 (29040)	96000 (28130)		
	45	(7.2)	99600 (29190)	96500 (28280)	93500 (27400)	90400 (26490)	87400 (25610)	84500 (24760)		
	40	(4.4)	90000 (26380)	87000 (25500)	84200 (24680)	81400 (23860)	78500 (23010)	75800 (22210)		
	35	(-17.8)	81100 (23770)	78300 (22950)	75600 (22160)	73000 (21390)	70400 (20630)	67800 (19870)		
KMS076H8-A Compressor Model 2DA3R89KE	55	(12.8)	135600 (39740)	131600 (38570)	127600 (37400)	123700 (36250)	119800 (35110)	-	-	
	50	(10)	123900 (36310)	120100 (35200)	116300 (34080)	112800 (33060)	109100 (31970)	-	-	
	45	(7.2)	110600 (32410)	107000 (31360)	103500 (30330)	100100 (29340)	96800 (28370)	93600 (27430)		
	40	(4.4)	100200 (29370)	96900 (28400)	93700 (27460)	90500 (26520)	87400 (25610)	84300 (24710)		
	35	(-17.8)	90500 (26520)	87500 (25640)	84400 (24740)	81500 (23890)	78600 (23040)	75800 (22210)		
KMS080H8-A Compressor Model 3DA3R10ME	55	(12.8)	156900 (45980)	151200 (44310)	145600 (42670)	140200 (41090)	134700 (39480)	129500 (37950)		
	50	(10)	144700 (42410)	139400 (40850)	134300 (39360)	129400 (37920)	124500 (36490)	119700 (35080)		
	45	(7.2)	130400 (38220)	125700 (36840)	121100 (35490)	116600 (34170)	112100 (32850)	107800 (31590)		
	40	(4.4)	119300 (34960)	115000 (33700)	110900 (32500)	106800 (31300)	102800 (30130)	98800 (28960)		
	35	(-17.8)	108600 (31830)	104900 (30740)	101100 (29630)	97400 (28550)	93800 (27490)	90100 (26410)		
KMS100H8-A Compressor Model 3DB3R12ME	55	(12.8)	187700 (55010)	180900 (53020)	174300 (51080)	167900 (49210)	161500 (47330)	155000 (45430)		
	50	(10)	172900 (50670)	166800 (48880)	160900 (47150)	155000 (45430)	149200 (43730)	143300 (42000)		
	45	(7.2)	155700 (45630)	150300 (44050)	144900 (42470)	139700 (40940)	134300 (39360)	129000 (37810)		
	40	(4.4)	142400 (41730)	137600 (40330)	132700 (38890)	128000 (37510)	123200 (36110)	118300 (34670)		
	35	(-17.8)	129800 (38040)	125500 (36780)	121200 (35520)	116900 (34260)	112500 (32970)	108000 (31650)		
KMS120H8-A Compressor Model 3DF3R15ME	55	(12.8)	220100 (64500)	211900 (62100)	203800 (59730)	195900 (57410)	188300 (55190)	180500 (52900)		
	50	(10)	203200 (59550)	195700 (57350)	188500 (55240)	181300 (53130)	174300 (51080)	167300 (49030)		
	45	(7.2)	183200 (53690)	176500 (51730)	170000 (49820)	163500 (47920)	157200 (46070)	150800 (44190)		
	40	(4.4)	167700 (49150)	161700 (47390)	155800 (45660)	149900 (43930)	144200 (42260)	138400 (40560)		
	35	(-17.8)	152700 (44750)	147400 (43200)	142200 (41670)	136900 (40120)	131700 (38600)	126300 (37010)		
KMS150H8-A Compressor Model 3DS3R17ME	55	(12.8)	245300 (71890)	236100 (69190)	227300 (66610)	218700 (64090)	210200 (61600)	201700 (59110)		
	50	(10)	226300 (66320)	218000 (63890)	210000 (61540)	202200 (59260)	194700 (57060)	187000 (54800)		
	45	(7.2)	204100 (59820)	196700 (57650)	189500 (55540)	182600 (53510)	175700 (51490)	168900 (49500)		
	40	(4.4)	186900 (54770)	180300 (52840)	173900 (50960)	167700 (49150)	161500 (47330)	155400 (45540)		
	35	(-17.8)	170400 (49940)	164600 (48240)	159000 (46600)	153400 (44960)	147800 (43320)	142300 (41700)		
KMS200H8-A Compressor Model 4DANR18ME	55	(12.8)	278600 (81650)	264300 (77460)	250000 (73270)	235900 (69140)	222000 (65060)	---	---	
	50	(10)	254200 (74500)	241100 (70660)	228300 (66910)	215600 (63190)	203100 (59520)	190800 (55920)		
	45	(7.2)	230800 (67640)	219200 (64240)	207700 (60870)	196600 (57620)	185600 (54390)	174800 (51230)		
	40	(4.4)	208700 (61160)	198500 (58170)	188600 (55270)	178900 (52430)	169300 (49620)	160000 (46890)		
	35	(-17.8)	188200 (55160)	179400 (52580)	170800 (50060)	162500 (47620)	154400 (45250)	146500 (42930)		

NOTES: - Above ratings are based on mean temperature. - To convert to dew point ratings, use 0.95 multiplier.

CAPACITY DATA - R407C
MEDIUM TEMPERATURE

MODEL KMS	SATURATED SUCTION TEMPERATURE		CAPACITY BTU/H (WATTS) R407C AMBIENT TEMPERATURE °F (°C)									
	° F	° C	85 (29.4)	90 (32.2)	95 (35.0)	100 (37.8)	105 (40.6)	110 (43.3)				
KMS075M8-A Compressor Model 2DL3R78KE	30 (-1.1)		72800 (21340)	70100 (20540)	67700 (19840)	65200 (19110)	62900 (18430)	60600 (17760)				
	25 (-3.9)		65100 (19080)	62700 (18380)	60500 (17730)	58200 (17060)	56100 (16440)	54000 (15830)				
	20 (-6.7)		58100 (17030)	55900 (16380)	53900 (15800)	51800 (15180)	49900 (14620)	48000 (14070)				
	15 (-9.4)		51600 (15120)	49700 (14570)	47800 (14010)	46000 (13480)	44300 (12980)	42600 (12480)				
	10 (-12.2)		45800 (13420)	44100 (12920)	42400 (12430)	40800 (11960)	39400 (11550)	37900 (11110)				
KMS076M8-A Compressor Model 2DA3R89KE	30 (-1.1)		81400 (23860)	78500 (23010)	75800 (22210)	73100 (21420)	70500 (20660)	67800 (19870)				
	25 (-3.9)		73000 (21390)	70400 (20630)	67800 (19870)	65300 (19140)	62900 (18430)	60500 (17730)				
	20 (-6.7)		65200 (19110)	62800 (18400)	60500 (17730)	58200 (17060)	55900 (16380)	53700 (15740)				
	15 (-9.4)		58100 (17030)	55900 (16380)	53800 (15770)	51600 (15120)	49600 (14540)	47500 (13920)				
	10 (-12.2)		51500 (15090)	49600 (14540)	47600 (13950)	45700 (13390)	43800 (12840)	41900 (12280)				
KMS080M8-A Compressor Model 3DA3R10ME	30 (-1.1)		98500 (28870)	95100 (27870)	91900 (26930)	88500 (25940)	85200 (24970)	81700 (23940)				
	25 (-3.9)		89000 (26080)	86000 (25200)	83100 (24350)	80000 (23450)	76900 (22540)	73600 (21570)				
	20 (-6.7)		80100 (23470)	77500 (22710)	74700 (21890)	71900 (21070)	69000 (20220)	65900 (19310)				
	15 (-9.4)		71800 (21040)	69400 (20340)	66900 (19610)	64300 (18840)	61400 (17990)	58500 (17140)				
	10 (-12.2)		64200 (18820)	61800 (18110)	59500 (17440)	57000 (16700)	54300 (15910)	51500 (15090)				
KMS100M8-A Compressor Model 3DB3R12ME	30 (-1.1)		117800 (34520)	114000 (33410)	110100 (32270)	106300 (31150)	102300 (29980)	98200 (28780)				
	25 (-3.9)		106600 (31240)	103200 (30240)	99800 (29250)	96200 (28190)	92500 (27110)	88600 (25970)				
	20 (-6.7)		96100 (28160)	93100 (27280)	90000 (26380)	86700 (25410)	83300 (24410)	79600 (23330)				
	15 (-9.4)		86300 (25290)	83700 (24530)	80700 (23650)	77700 (22770)	74400 (21800)	70900 (20780)				
	10 (-12.2)		77400 (22680)	74900 (21950)	72100 (21130)	69200 (20280)	66000 (19340)	62600 (18350)				
KMS120M8-A Compressor Model 3DF3R15ME	30 (-1.1)		138500 (40590)	133800 (39210)	129000 (37810)	124300 (36430)	119600 (35050)	114700 (33620)				
	25 (-3.9)		125100 (36660)	120900 (35430)	116700 (34200)	112400 (32940)	107900 (31620)	103400 (30300)				
	20 (-6.7)		112400 (32940)	108700 (31860)	105000 (30770)	101000 (29600)	96900 (28400)	92600 (27140)				
	15 (-9.4)		100600 (29480)	97300 (28520)	94000 (27550)	90300 (26460)	86500 (25350)	82400 (24150)				
	10 (-12.2)		89700 (26290)	86800 (25440)	83700 (24530)	80300 (23530)	76700 (22480)	72700 (21310)				
KMS150M8-A Compressor Model 3DS3R17ME	30 (-1.1)		154900 (45400)	149800 (43900)	144800 (42440)	139800 (40970)	134700 (39480)	129700 (38010)				
	25 (-3.9)		140300 (41120)	135800 (39800)	131300 (38480)	126700 (37130)	122200 (35810)	117500 (34440)				
	20 (-6.7)		126400 (37040)	122400 (35870)	118400 (34700)	114300 (33500)	110100 (32270)	105800 (31010)				
	15 (-9.4)		113600 (33290)	110000 (32240)	106400 (31180)	102700 (30100)	98700 (28930)	94600 (27720)				
	10 (-12.2)		101600 (29780)	98400 (28840)	95000 (27840)	91500 (26820)	87800 (25730)	83700 (24530)				
KMS200M8-A Compressor Model 4DANR18ME	30 (-1.1)		169200 (49590)	161800 (47420)	154500 (45280)	147500 (43230)	140700 (41230)	---	---			
	25 (-3.9)		151900 (44520)	145600 (42670)	139600 (40910)	133700 (39180)	128100 (37540)	---	---			
	20 (-6.7)		136100 (39890)	130900 (38360)	125900 (36900)	121100 (35490)	116400 (34110)	111800 (32770)				
	15 (-9.4)		121800 (35700)	117500 (34440)	113300 (33200)	109300 (32030)	105400 (30890)	101500 (29750)				
	10 (-12.2)		108800 (31890)	105200 (30830)	101700 (29810)	98200 (28780)	94900 (27810)	91600 (26850)				

NOTES: - Above ratings are based on mean temperature. - To convert to dew point ratings, use 0.95 multiplier.

CAPACITY DATA - R404A R507
HIGH TEMPERATURE

MODEL KMS	SATURATED SUCTION TEMPERATURE F° (C°)	CAPACITY BTU/H (WATTS) R404A R507 AMBIENT TEMPERATURE °F (°C)							
		85 (29.4)	90 (32.2)	95 (35.0)	100 (37.8)	105 (40.6)	110 (43.3)		
KMS075H8-A Comp. Model 2DL3R78KE	45 (7.2)	98100 (28750)	93600 (27430)	89100 (26110)	84700 (24820)	80200 (23500)	75700 (22190)		
	40 (4.4)	90400 (26490)	86300 (25290)	82200 (24090)	78100 (22890)	74000 (21690)	69900 (20490)		
	35 (1.7)	83000 (24320)	79300 (23240)	75500 (22130)	71800 (21040)	68000 (19930)	64300 (18840)		
KMS076H8-A Comp. Model 2DA3R89KE	45 (7.2)	109700 (32150)	104600 (30660)	99600 (29190)	94500 (27700)	89500 (26230)	84500 (24760)		
	40 (4.4)	101300 (29690)	96700 (28340)	92000 (26960)	87400 (25610)	82800 (24270)	78200 (22920)		
	35 (1.7)	93300 (27340)	89100 (26110)	84800 (24850)	80600 (23620)	76400 (22390)	72200 (21160)		
KMS080H8-A Comp. Model 3DA3R10ME	45 (7.2)	130200 (38160)	124200 (36400)	118300 (34670)	112500 (32970)	106800 (31300)	101200 (29660)		
	40 (4.4)	120300 (35260)	114800 (33640)	109400 (32060)	104100 (30510)	98900 (28980)	93800 (27490)		
	35 (1.7)	110800 (32470)	105700 (30980)	100800 (29540)	96000 (28130)	91300 (26760)	86600 (25380)		
KMS100H8-A Comp. Model 3DB3R12ME	45 (7.2)	156600 (45890)	149600 (43840)	142600 (41790)	135700 (39770)	128700 (37720)	121800 (35700)		
	40 (4.4)	144500 (42350)	138100 (40470)	131700 (38600)	125300 (36720)	119000 (34880)	112600 (33000)		
	35 (1.7)	132900 (38950)	127100 (37250)	121300 (35550)	115500 (33850)	109700 (32150)	103900 (30450)		
KMS120H8-A Comp. Model 3DF3R15ME	45 (7.2)	192800 (56500)	183900 (53900)	175200 (51350)	166400 (48770)	157700 (46220)	149100 (43700)		
	40 (4.4)	178000 (52170)	169900 (49790)	161900 (47450)	153900 (45100)	145900 (42760)	138000 (40440)		
	35 (1.7)	163800 (48000)	156500 (45870)	149200 (43730)	141900 (41590)	134600 (39450)	127400 (37340)		
KMS150H8-A Comp. Model 3DS3R17ME	45 (7.2)	210400 (61660)	200700 (58820)	191100 (56010)	181500 (53190)	172000 (50410)	162500 (47620)		
	40 (4.4)	194500 (57000)	185600 (54390)	176800 (51810)	168000 (49240)	159300 (46690)	150600 (44140)		
	35 (1.7)	179200 (52520)	171100 (50140)	163100 (47800)	155100 (45460)	147100 (43110)	139200 (40800)		
KMS200H8-A Comp. Model 3DS3R17ME	45 (7.2)	220100 (64490)	209100 (61280)	198200 (58080)	187300 (54900)	176600 (51760)	166100 (48680)		
	40 (4.4)	204600 (59970)	194400 (56960)	184100 (53960)	173900 (50980)	163900 (48040)	154100 (45160)		
	35 (1.7)	189400 (55520)	179900 (52710)	170300 (49910)	160800 (47120)	151400 (44380)	142300 (41690)		

CAPACITY DATA - R404A R507
MEDIUM TEMPERATURE

MODEL KMS	SATURATED SUCTION TEMPERATURE		CAPACITY BTU/H (WATTS) R404A R507 AMBIENT TEMPERATURE °F (°C)									
	°F	°C	85 (29.4)	90 (32.2)	95 (35.0)	100 (37.8)	105 (40.6)	110 (43.3)				
KMS075M8-A Compressor Model 2DL3R78KE	30	(-1.1)	75900 (22240)	72500 (21250)	69100 (20250)	65700 (19250)	62300 (18260)	58900 (17260)				
	25	(-3.9)	69200 (20280)	66100 (19370)	63000 (18460)	59900 (17550)	56800 (16650)	53700 (15740)				
	20	(-6.7)	62700 (18380)	59900 (17550)	57100 (16730)	54300 (15910)	51600 (15120)	48800 (14300)				
	15	(-9.4)	56600 (16590)	54100 (15860)	51600 (15120)	49100 (14390)	46600 (13660)	44200 (12950)				
	10	(-12.2)	50900 (14920)	48700 (14270)	46500 (13630)	44200 (12950)	42000 (12310)	39800 (11660)				
	5	(-15)	45700 (13390)	43600 (12780)	41600 (12190)	39600 (11610)	37700 (11050)	35700 (10460)				
0	(-17.8)	40800 (11960)	39000 (11430)	37200 (10900)	35400 (10370)	33600 (9850)	31900 (9350)					
KMS076M8-A Compressor Model 2DA3R89KE	30	(-1.1)	85600 (25090)	81800 (23970)	77900 (22830)	74100 (21720)	70200 (20570)	66400 (19460)				
	25	(-3.9)	78400 (22980)	74900 (21950)	71400 (20930)	67900 (19900)	64400 (18870)	60900 (17850)				
	20	(-6.7)	71500 (20950)	68300 (20020)	65100 (19080)	62000 (18170)	58800 (17230)	55600 (16290)				
	15	(-9.4)	64900 (19020)	62100 (18200)	59200 (17350)	56400 (16530)	53500 (15680)	50700 (14860)				
	10	(-12.2)	58800 (17230)	56300 (16500)	53700 (15740)	51100 (14980)	48500 (14210)	45900 (13450)				
	5	(-15)	53100 (15560)	50800 (14890)	48500 (14210)	46100 (13510)	43800 (12840)	41500 (12160)				
0	(-17.8)	47700 (13980)	45700 (13390)	43600 (12780)	41500 (12160)	39300 (11520)	37200 (10900)					
KMS080M8-A Compressor Model 3DA3R10ME	30	(-1.1)	101600 (29780)	97000 (28430)	92600 (27140)	88300 (25880)	84000 (24620)	79800 (23390)				
	25	(-3.9)	92800 (27200)	88700 (26000)	84700 (24820)	80800 (23680)	77000 (22570)	73200 (21450)				
	20	(-6.7)	84500 (24760)	80800 (23680)	77200 (22630)	73800 (21630)	70400 (20630)	67000 (19640)				
	15	(-9.4)	76500 (22420)	73200 (21450)	70100 (20540)	67000 (19640)	64000 (18760)	61000 (17880)				
	10	(-12.2)	69100 (20250)	66200 (19400)	63400 (18580)	60700 (17790)	58000 (17000)	55300 (16210)				
	5	(-15)	62100 (18200)	59500 (17440)	57100 (16730)	54700 (16030)	52400 (15360)	50000 (14650)				
0	(-17.8)	55600 (16290)	53300 (15620)	51200 (15010)	49100 (14390)	47000 (13770)	44900 (13160)					
KMS100M8-A Compressor Model 3DB3R12ME	30	(-1.1)	121900 (35730)	116600 (34170)	111300 (32620)	106100 (31090)	100800 (29540)	95600 (28020)				
	25	(-3.9)	111400 (32650)	106700 (31270)	101900 (29860)	97200 (28490)	92500 (27110)	87700 (25700)				
	20	(-6.7)	101500 (29750)	97300 (28520)	93000 (27260)	88800 (26020)	84500 (24760)	80200 (23500)				
	15	(-9.4)	92200 (27020)	88400 (25910)	84600 (24790)	80800 (23680)	77000 (22570)	73200 (21450)				
	10	(-12.2)	83500 (24470)	80100 (23470)	76700 (22480)	73300 (21480)	69900 (20490)	66400 (19460)				
	5	(-15)	75300 (22070)	72200 (21160)	69200 (20280)	66200 (19400)	63100 (18490)	60000 (17580)				
0	(-17.8)	67600 (19810)	64900 (19020)	62200 (18230)	59500 (17440)	56700 (16620)	54000 (15830)					
KMS120M8-A Compressor Model 3DF3R15ME	30	(-1.1)	150300 (44050)	143600 (42080)	137000 (40150)	130400 (38220)	123800 (36280)	117300 (34380)				
	25	(-3.9)	137500 (40300)	131400 (38510)	125400 (36750)	119500 (35020)	113600 (33290)	107700 (31560)				
	20	(-6.7)	125300 (36720)	119900 (35140)	114500 (33560)	109100 (31970)	103800 (30420)	98500 (28870)				
	15	(-9.4)	113800 (33350)	108900 (31920)	104100 (30510)	99300 (29100)	94600 (27720)	89900 (26350)				
	10	(-12.2)	103000 (30190)	98700 (28930)	94400 (27670)	90100 (26410)	85900 (25170)	81600 (23910)				
	5	(-15)	92900 (27230)	89100 (26110)	85200 (24970)	81400 (23860)	77600 (22740)	73900 (21660)				
0	(-17.8)	83500 (24470)	80100 (23470)	76700 (22480)	73300 (21480)	69900 (20490)	66500 (19490)					
KMS150M8-A Compressor Model 3DS3R17ME	30	(-1.1)	164600 (48240)	157200 (46070)	149900 (43930)	142700 (41820)	135500 (39710)	128300 (37600)				
	25	(-3.9)	150600 (44140)	144000 (42200)	137400 (40270)	130900 (38360)	124400 (36460)	117900 (34550)				
	20	(-6.7)	137400 (40270)	131500 (38540)	125500 (36780)	119700 (35080)	113800 (33350)	108000 (31650)				
	15	(-9.4)	124900 (36600)	119600 (35050)	114300 (33500)	109000 (31940)	103800 (30420)	98600 (28900)				
	10	(-12.2)	113200 (33180)	108400 (31770)	103700 (30390)	99000 (29010)	94300 (27640)	89600 (26260)				
	5	(-15)	102200 (29950)	97900 (28690)	93700 (27460)	89500 (26230)	85300 (25000)	81200 (23800)				
0	(-17.8)	91900 (26930)	88100 (25820)	84300 (24710)	80600 (23620)	76900 (22540)	73200 (21450)					
KMS200M8-A Compressor Model 4DANR18ME	30	(-1.1)	174600 (51160)	165700 (48550)	156800 (45940)	147900 (43350)	139200 (40800)	130700 (38300)				
	25	(-3.9)	160100 (46930)	151900 (44510)	143600 (42080)	135400 (39680)	127300 (37310)	119400 (35000)				
	20	(-6.7)	146100 (42830)	138500 (40590)	130900 (38350)	123300 (36120)	115800 (33930)	108500 (31800)				
	15	(-9.4)	132700 (38890)	125700 (36830)	118600 (34760)	111600 (32710)	104700 (30700)	98100 (28740)				
	10	(-12.2)	119900 (35130)	113400 (33240)	107000 (31350)	100500 (29460)	94200 (27610)	88100 (25830)				
	5	(-15)	107800 (31580)	101900 (29860)	95900 (28120)	90100 (26390)	84300 (24710)	78800 (23080)				
0	(-17.8)	96400 (28250)	91100 (26680)	85600 (25100)	80300 (23530)	75000 (21990)	70000 (20520)					

CAPACITY DATA - R404A R507
LOW TEMPERATURE

MODEL KMS	SATURATED SUCTION TEMPERATURE		CAPACITY BTU/H (WATTS) R404A R507 AMBIENT TEMPERATURE °F (°C)							
	° F	° C	85 (29.4)	90 (32.2)	95 (35.0)	100 (37.8)	105 (40.6)	110 (43.3)		
KMS075L6-A Compressor Model 3DB3F33KE	0	(-17.8)	63200 (18520)	60500 (17730)	57800 (16940)	55200 (16180)	52600 (15420)	50000 (14650)		
	-5	(-20.6)	56900 (16680)	54500 (15970)	52100 (15270)	49800 (14590)	47500 (13920)	45200 (13250)		
	-10	(-23.3)	50900 (14920)	48800 (14300)	46800 (13720)	44700 (13100)	42600 (12480)	40600 (11900)		
	-15	(-26.1)	45400 (13310)	43600 (12780)	41700 (12220)	39900 (11690)	38100 (11170)	36200 (10610)		
	-20	(-28.9)	40300 (11810)	38700 (11340)	37000 (10840)	35400 (10370)	33800 (9910)	32100 (9410)		
	-25	(-31.7)	35600 (10430)	34100 (9990)	32700 (9580)	31200 (9140)	29700 (8700)	28200 (8260)		
	-30	(-34.4)	31200 (9140)	29900 (8760)	28600 (8380)	27200 (7970)	25900 (7590)	24400 (7150)		
	-35	(-37.2)	27200 (7970)	26000 (7620)	24800 (7270)	23500 (6890)	22200 (6510)	20900 (6130)		
	-40	(-40.0)	23500 (6890)	22400 (6560)	21200 (6210)	20000 (5860)	18700 (5480)	17400 (5100)		
KMS090L6-A Compressor Model 3DF3F40KE	0	(-17.8)	75400 (22100)	72200 (21160)	69100 (20250)	66000 (19340)	62900 (18430)	59800 (17530)		
	-5	(-20.6)	68000 (19930)	65200 (19110)	62400 (18290)	59600 (17470)	56800 (16650)	54000 (15830)		
	-10	(-23.3)	61000 (17880)	58500 (17140)	56000 (16410)	53600 (15710)	51100 (14980)	48500 (14210)		
	-15	(-26.1)	54500 (15970)	52200 (15300)	50000 (14650)	47800 (14010)	45600 (13360)	43300 (12690)		
	-20	(-28.9)	48300 (14160)	46400 (13600)	44400 (13010)	42400 (12430)	40400 (11840)	38400 (11250)		
	-25	(-31.7)	42600 (12480)	40900 (11990)	39100 (11460)	37300 (10930)	35500 (10400)	33700 (9880)		
	-30	(-34.4)	37400 (10960)	35800 (10490)	34200 (10020)	32600 (9550)	31000 (9090)	29300 (8590)		
	-35	(-37.2)	32600 (9550)	31100 (9110)	29700 (8700)	28200 (8260)	26700 (7820)	25200 (7390)		
	-40	(-40.0)	28100 (8240)	26800 (7850)	25500 (7470)	24100 (7060)	22700 (6650)	21300 (6240)		
KMS100L6-A Compressor Model 3DS3F46KE	0	(-17.8)	85300 (25000)	81700 (23940)	78100 (22890)	74500 (21830)	71000 (20810)	67400 (19750)		
	-5	(-20.6)	77200 (22630)	74000 (21690)	70800 (20750)	67500 (19780)	64300 (18840)	61100 (17910)		
	-10	(-23.3)	69600 (20400)	66700 (19550)	63800 (18700)	60800 (17820)	57900 (16970)	55100 (16150)		
	-15	(-26.1)	62300 (18260)	59700 (17500)	57100 (16730)	54500 (15970)	51800 (15180)	49200 (14420)		
	-20	(-28.9)	55400 (16240)	53100 (15560)	50800 (14890)	48400 (14180)	46000 (13480)	43700 (12810)		
	-25	(-31.7)	49000 (14360)	47000 (13770)	44800 (13130)	42700 (12510)	40500 (11870)	38400 (11250)		
	-30	(-34.4)	43000 (12600)	41200 (12070)	39300 (11520)	37300 (10930)	35400 (10370)	33400 (9790)		
	-35	(-37.2)	37500 (10990)	35900 (10520)	34100 (9990)	32300 (9470)	30500 (8940)	28700 (8410)		
	-40	(-40.0)	32500 (9520)	30900 (9060)	29300 (8590)	27700 (8120)	25900 (7590)	24200 (7090)		
KMS120L6-A Compressor Model 4DANF47KE	0	(-17.8)	92400 (27090)	88500 (25930)	84600 (24790)	80700 (23660)	76900 (22530)	73000 (21390)		
	-5	(-20.6)	82800 (24270)	79300 (23240)	75900 (22240)	72500 (21240)	69100 (20240)	65600 (19220)		
	-10	(-23.3)	74100 (21700)	71000 (20800)	67900 (19910)	64900 (19020)	61900 (18130)	58700 (17210)		
	-15	(-26.1)	66000 (19360)	63300 (18560)	60600 (17770)	57900 (16980)	55200 (16170)	52400 (15340)		
	-20	(-28.9)	58800 (17220)	56300 (16500)	53900 (15800)	51500 (15080)	48900 (14340)	46300 (13570)		
	-25	(-31.7)	52000 (15240)	49800 (14590)	47600 (13940)	45300 (13280)	43000 (12600)	40500 (11870)		
	-30	(-34.4)	45700 (13390)	43600 (12790)	41600 (12180)	39400 (11560)	37200 (10900)	34800 (10190)		
	-35	(-37.2)	39700 (11630)	37700 (11050)	35700 (10470)	33600 (9860)	31400 (9210)	29000 (8500)		
	-40	(-40.0)	33900 (9920)	31900 (9350)	29900 (8760)	27800 (8140)	25500 (7480)	23100 (6770)		
KMS130L6-A Compressor Model 4DBNF54KE	0	(-17.8)	100300 (29390)	96000 (28130)	91800 (26900)	87600 (25670)	83400 (24440)	79100 (23180)		
	-5	(-20.6)	90000 (26380)	86200 (25260)	82500 (24180)	78700 (23060)	75000 (21980)	71200 (20870)		
	-10	(-23.3)	80600 (23620)	77200 (22630)	73900 (21660)	70600 (20690)	67200 (19690)	63800 (18700)		
	-15	(-26.1)	72000 (21100)	69000 (20220)	66000 (19340)	63100 (18490)	60100 (17610)	56900 (16680)		
	-20	(-28.9)	64100 (18790)	61400 (17990)	58800 (17230)	56100 (16440)	53300 (15620)	50400 (14770)		
	-25	(-31.7)	56700 (16620)	54300 (15910)	51900 (15210)	49400 (14480)	46800 (13720)	44100 (12920)		
	-30	(-34.4)	49900 (14620)	47600 (13950)	45300 (13280)	43000 (12600)	40500 (11870)	37900 (11110)		
	-35	(-37.2)	43300 (12690)	41200 (12070)	39000 (11430)	36700 (10760)	34200 (10020)	31600 (9260)		
	-40	(-40.0)	37000 (10840)	34800 (10200)	32600 (9550)	30300 (8880)	27800 (8150)	25100 (7360)		
KMS150L6-A Compressor Model 4DHNF63KE	0	(-17.8)	115100 (33730)	110400 (32350)	105800 (31010)	101300 (29690)	96600 (28310)	91700 (26870)		
	-5	(-20.6)	104100 (30510)	99800 (29250)	95700 (28050)	91500 (26820)	87300 (25590)	82800 (24270)		
	-10	(-23.3)	93900 (27520)	90100 (26410)	86300 (25290)	82600 (24210)	78700 (23060)	74700 (21890)		
	-15	(-26.1)	84500 (24760)	81100 (23770)	77700 (22770)	74300 (21780)	70800 (20750)	67100 (19660)		
	-20	(-28.9)	75800 (22210)	72700 (21310)	69600 (20400)	66600 (19520)	63500 (18610)	60100 (17610)		
	-25	(-31.7)	67500 (19780)	64700 (18960)	62000 (18170)	59300 (17380)	56500 (16560)	53400 (15650)		
	-30	(-34.4)	59600 (17470)	57100 (16730)	54700 (16030)	52300 (15330)	49700 (14570)	46900 (13740)		
	-35	(-37.2)	51900 (15210)	49700 (14570)	47600 (13950)	45400 (13310)	43000 (12600)	40400 (11840)		
	-40	(-40.0)	44300 (12980)	42300 (12400)	40400 (11840)	38400 (11250)	36300 (10640)	33800 (9910)		
KMS220L6-A Compressor Model 4DJNF76KE	0	(-17.8)	136800 (40090)	130400 (38220)	124300 (36430)	118500 (34730)	112800 (33060)	107400 (31480)		
	-5	(-20.6)	124600 (36520)	118800 (34820)	113200 (33180)	107800 (31590)	102600 (30070)	97600 (28600)		
	-10	(-23.3)	113000 (33120)	107700 (31560)	102600 (30070)	97700 (28630)	92900 (27230)	88200 (25850)		
	-15	(-26.1)	101900 (29860)	97100 (28460)	92500 (27110)	87900 (25760)	83500 (24470)	79100 (23180)		
	-20	(-28.9)	91300 (26760)	87000 (25500)	82800 (24270)	78600 (23040)	74500 (21830)	70400 (20630)		
	-25	(-31.7)	81200 (23800)	77300 (22650)	73500 (21540)	69600 (20400)	65800 (19280)	61900 (18140)		
	-30	(-34.4)	71500 (20950)	68000 (19930)	64500 (18900)	60900 (17850)	57300 (16790)	53500 (15680)		
	-35	(-37.2)	62100 (18200)	59000 (17290)	55700 (16320)	52400 (15360)	48900 (14330)	45300 (13280)		
	-40	(-40.0)	53100 (15560)	50200 (14710)	47200 (13830)	44000 (12900)	40700 (11930)	37200 (10900)		

CAPACITY DATA - R407A
HIGH TEMPERATURE

MODEL KMD	SATURATED SUCTION TEMPERATURE F° (C°)	CAPACITY BTU/H (WATTS) R407A AMBIENT TEMPERATURE °F (°C)									
		85 (29.4)	90 (32.2)	95 (35.0)	100 (37.8)	105 (40.6)	110 (43.3)				
KMD150H8-A	45 (7.2)	200000 (58610)	192200 (56330)	184600 (54100)	176800 (51810)	169000 (49530)	161200 (47240)				
Comp. Model	40 (4.4)	182000 (53340)	175000 (51290)	167800 (49180)	160600 (47070)	153600 (45020)	146600 (42960)				
2DL3R78KE	35 (1.7)	165200 (48420)	158800 (46540)	152200 (44610)	145800 (42730)	139200 (40800)	132800 (38920)				
KMD151H8-A	45 (7.2)	221600 (64940)	213000 (62420)	204200 (59840)	195600 (57320)	187000 (54800)	178200 (52230)				
Comp. Model	40 (4.4)	202200 (59260)	194400 (56970)	186400 (54630)	178600 (52340)	170800 (50060)	162800 (47710)				
2DA3R89KE	35 (1.7)	184000 (53920)	176800 (51810)	169600 (49700)	162400 (47590)	155200 (45480)	147800 (43320)				
KMD160H8-A	45 (7.2)	268200 (78600)	257600 (75490)	247400 (72510)	236800 (69400)	226800 (66470)	216800 (63540)				
Comp. Model	40 (4.4)	246000 (72100)	236400 (69280)	226800 (66470)	217400 (63710)	208200 (61020)	198800 (58260)				
3DA3R10ME	35 (1.7)	224400 (65760)	215800 (63240)	207200 (60720)	198600 (58200)	190000 (55680)	181600 (53220)				
KMD200H8-A	45 (7.2)	321400 (94190)	309200 (90620)	297000 (87040)	284600 (83410)	272400 (79830)	260000 (76200)				
Comp. Model	40 (4.4)	294600 (86340)	283600 (83110)	272400 (79830)	261200 (76550)	250000 (73270)	238800 (69990)				
3DB3R12ME	35 (1.7)	269000 (78840)	259000 (75910)	248800 (72920)	238800 (69990)	228400 (66940)	218200 (63950)				
KMD240H8-A	45 (7.2)	378200 (110840)	363400 (106500)	348400 (102110)	333400 (97710)	318800 (93430)	304000 (89090)				
Comp. Model	40 (4.4)	347000 (101700)	333200 (97650)	319800 (93720)	306200 (89740)	292800 (85810)	279400 (81880)				
3DF3R15ME	35 (1.7)	316600 (92790)	304200 (89150)	292200 (85640)	279800 (82000)	267400 (78370)	255200 (74790)				
KMD300H8-A	45 (7.2)	420200 (123150)	403600 (118280)	387200 (113480)	371200 (108790)	355400 (104160)	339600 (99530)				
Comp. Model	40 (4.4)	385800 (113070)	370800 (108670)	356200 (104390)	341400 (100050)	327200 (95890)	313000 (91730)				
3DS3R17ME	35 (1.7)	352600 (103340)	339200 (99410)	326000 (95540)	312600 (91610)	299600 (87800)	286800 (84050)				
KMD400H8-A	45 (7.2)	462800 (135630)	444200 (130180)	425000 (124550)	405200 (118750)	384800 (112770)	364000 (106680)				
Comp. Model	40 (4.4)	423400 (124090)	406400 (119100)	388800 (113950)	370800 (108670)	352400 (103280)	333200 (97650)				
4DANR18ME	35 (1.7)	386000 (113130)	370600 (108610)	354600 (103920)	338400 (99170)	321600 (94250)	304400 (89210)				

NOTES: - Above ratings are based on mean temperature. - To convert to dew point ratings, use 0.95 multiplier.

CAPACITY DATA - R407A
MEDIUM TEMPERATURE

MODEL KMD	SATURATED SUCTION TEMPERATURE		CAPACITY BTU/H (WATTS) R407A					AMBIENT TEMPERATURE °F (°C)			
	° F	° C	85 (29.4)	90 (32.2)	95 (35.0)	100 (37.8)	105 (40.6)	110 (43.3)			
KMD150M8-A Compressor Model 2DL3R78KE	30	(-1.1)	149400 (43780)	143400 (42030)	137600 (40330)	131400 (38510)	125800 (36870)	120000 (35170)			
	25	(-3.9)	134400 (39390)	129200 (37860)	123600 (36220)	118400 (34700)	113200 (33180)	108200 (31710)			
	20	(-6.7)	120600 (35340)	116000 (34000)	111000 (32530)	106400 (31180)	101800 (29830)	97200 (28490)			
	15	(-9.4)	108000 (31650)	103800 (30420)	99600 (29190)	95400 (27960)	91400 (26790)	87400 (25610)			
	10	(-12.2)	96200 (28190)	92400 (27080)	88800 (26020)	85400 (25030)	82000 (24030)	78800 (23090)			
	5	(-15)	85400 (25030)	82400 (24150)	79400 (23270)	76400 (22390)	73600 (21570)	71000 (20810)			
	0	(-17.8)	75800 (22210)	73200 (21450)	70800 (20750)	68400 (20050)	66400 (19460)	64200 (18820)			
KMD151M8-A Compressor Model 2DA3R89KE	30	(-1.1)	166800 (48880)	160200 (46950)	153800 (45070)	147000 (43080)	140400 (41150)	134000 (39270)			
	25	(-3.9)	150600 (44140)	144400 (42320)	138600 (40620)	132800 (38920)	126800 (37160)	120800 (35400)			
	20	(-6.7)	135200 (39620)	130000 (38100)	124600 (36520)	119200 (34930)	113800 (33350)	108600 (31830)			
	15	(-9.4)	121200 (35520)	116400 (34110)	111600 (32710)	106600 (31240)	101800 (29830)	97000 (28430)			
	10	(-12.2)	108000 (31650)	103800 (30420)	99400 (29130)	95200 (27900)	90800 (26610)	86000 (25380)			
	5	(-15)	96000 (28130)	92000 (26960)	88200 (25850)	84400 (24740)	80600 (23620)	76600 (22450)			
	0	(-17.8)	84800 (24850)	81400 (23860)	78200 (22920)	74600 (21860)	71200 (20870)	67600 (19810)			
KMD160M8-A Compressor Model 3DA3R10ME	30	(-1.1)	204200 (59840)	196200 (57500)	188200 (55160)	180400 (52870)	172600 (50580)	164800 (48300)			
	25	(-3.9)	184400 (54040)	177200 (51930)	170200 (49880)	163000 (47770)	155800 (45660)	148400 (43490)			
	20	(-6.7)	166200 (48710)	159600 (46770)	152800 (44780)	146400 (42910)	139600 (40910)	133000 (38980)			
	15	(-9.4)	148600 (43550)	142800 (41850)	136800 (40090)	130600 (38270)	124400 (36460)	118000 (34580)			
	10	(-12.2)	132600 (38860)	127000 (37220)	121400 (35580)	115800 (33940)	109600 (32120)	103800 (30420)			
	5	(-15)	117600 (34470)	112600 (33000)	107200 (31420)	101600 (29780)	96000 (28130)	90000 (26380)			
	0	(-17.8)	104000 (30480)	99200 (29070)	93800 (27490)	88400 (25910)	83000 (24320)	77200 (22630)			
KMD200M8-A Compressor Model 3DB3R12ME	30	(-1.1)	244600 (71680)	235600 (69050)	226400 (66350)	217200 (63650)	207600 (60840)	198200 (58090)			
	25	(-3.9)	221400 (64890)	213400 (62540)	205000 (60080)	196600 (57620)	187800 (55040)	179200 (52520)			
	20	(-6.7)	199800 (58560)	192200 (56330)	184600 (54100)	176800 (51810)	168800 (49470)	160600 (47070)			
	15	(-9.4)	179200 (52520)	172400 (50530)	165400 (48470)	158400 (46420)	150800 (44190)	143000 (41910)			
	10	(-12.2)	160200 (46950)	154000 (45130)	147400 (43200)	140800 (41260)	133600 (39150)	126200 (36990)			
	5	(-15)	142600 (41790)	137000 (40150)	130600 (38270)	124200 (36400)	117400 (34410)	110200 (32300)			
	0	(-17.8)	126600 (37100)	121000 (35460)	115000 (33700)	108800 (31890)	102000 (29890)	95200 (27900)			
KMD240M8-A Compressor Model 3DF3R15ME	30	(-1.1)	287400 (84230)	276400 (81000)	265200 (77720)	254200 (74500)	242800 (71160)	232000 (67990)			
	25	(-3.9)	259800 (76140)	249600 (73150)	239800 (70280)	229600 (67290)	219200 (64240)	209000 (61250)			
	20	(-6.7)	233400 (68400)	224400 (65760)	215400 (63130)	206200 (60430)	196800 (57680)	187200 (54860)			
	15	(-9.4)	208800 (61190)	200800 (58850)	192600 (56450)	184000 (53920)	175400 (51400)	166400 (48770)			
	10	(-12.2)	185800 (54450)	178800 (52400)	171200 (50170)	163200 (47830)	155000 (45430)	146600 (42960)			
	5	(-15)	164800 (48300)	158400 (46420)	151200 (44310)	143800 (42140)	136000 (39860)	128200 (37570)			
	0	(-17.8)	146000 (42790)	139800 (40970)	133200 (39040)	126200 (36990)	118600 (34760)	110800 (32470)			
KMD300M8-A Compressor Model 3DS3R17ME	30	(-1.1)	320800 (94020)	309000 (90560)	297000 (87040)	285000 (83520)	273200 (80070)	261400 (76610)			
	25	(-3.9)	290800 (85220)	280000 (82060)	269200 (78890)	258600 (75790)	247800 (72620)	237400 (69570)			
	20	(-6.7)	262200 (76840)	252400 (73970)	242800 (71160)	233200 (68340)	223400 (65470)	213600 (62600)			
	15	(-9.4)	235400 (68990)	226600 (66410)	217800 (63830)	209000 (61250)	200000 (58610)	190800 (55920)			
	10	(-12.2)	210200 (61600)	202200 (59260)	194000 (56860)	185800 (54450)	177600 (52050)	169000 (49530)			
	5	(-15)	186600 (54690)	179400 (52580)	171800 (50350)	164000 (48060)	156200 (45780)	148200 (43430)			
	0	(-17.8)	165000 (48360)	158200 (46360)	151000 (44250)	143600 (42080)	135800 (39800)	128200 (37570)			
KMD400M8-A Compressor Model 4DANR18ME	30	(-1.1)	350600 (102750)	336600 (98650)	322400 (94490)	307800 (90210)	292800 (85810)	277400 (81300)			
	25	(-3.9)	317200 (92960)	304800 (89330)	292200 (85640)	279200 (81830)	265800 (77900)	251800 (73800)			
	20	(-6.7)	286000 (83820)	274800 (80540)	263600 (77250)	252200 (73910)	240200 (70400)	228000 (66820)			
	15	(-9.4)	256600 (75200)	246800 (72330)	236800 (69400)	226800 (66470)	216400 (63420)	205600 (60260)			
	10	(-12.2)	229000 (67110)	220400 (64590)	211600 (62010)	202800 (59430)	193800 (56800)	184600 (54100)			
	5	(-15)	203200 (59550)	195400 (57270)	187800 (55040)	180200 (52810)	172600 (50580)	164600 (48240)			
	0	(-17.8)	178600 (52340)	172000 (50410)	165400 (48470)	158800 (46540)	152200 (44610)	145600 (42670)			

CAPACITY DATA - R407A
LOW TEMPERATURE

MODEL KMD	SATURATED SUCTION TEMPERATURE		CAPACITY BTU/H (WATTS) R407A AMBIENT TEMPERATURE °F (°C)									
	°F	°C	85 (29.4)	90 (32.2)	95 (35.0)	100 (37.8)	105 (40.6)	110 (43.3)				
KMD150L8-A Compressor Model 3DB3F33KE	0 (-17.8)	119800 (35110)	114800 (33640)	110200 (32300)	105600 (30950)	101000 (29600)	96400 (28250)					
	-5 (-20.6)	106200 (31120)	101600 (29780)	97200 (28490)	92800 (27200)	88400 (25910)	84200 (24680)					
	-10 (-23.3)	93800 (27490)	89600 (26260)	85400 (25030)	81400 (23860)	77200 (22630)	73200 (21450)					
	-15 (-26.1)	82800 (24270)	79000 (23150)	75000 (21980)	71000 (20810)	67200 (19690)	63400 (18580)					
	-20 (-28.9)	72600 (21280)	68800 (20160)	65400 (19170)	61600 (18050)	58000 (17000)	54200 (15880)					
	-25 (-31.7)	63200 (18520)	59800 (17530)	56200 (16470)	52800 (15470)	49400 (14480)	45800 (13420)					
	-30 (-34.4)	54200 (15880)	51000 (14950)	47800 (14010)	44600 (13070)	41200 (12070)	37800 (11080)					
	-35 (-37.2)	45800 (13420)	42600 (12480)	39400 (11550)	36400 (10670)	33200 (9730)	30000 (8790)					
	-40 (-40.0)	37200 (10900)	34400 (10080)	31600 (9260)	28400 (8320)	25400 (7440)	22200 (6510)					
KMD180L8-A Compressor Model 3DF3F40KE	0 (-17.8)	142200 (41670)	136600 (40030)	131000 (38390)	125600 (36810)	120200 (35230)	-					
	-5 (-20.6)	126400 (37040)	121200 (35520)	115800 (33940)	110400 (32350)	105200 (30830)	-					
	-10 (-23.3)	111800 (32770)	106600 (31240)	101600 (29780)	96600 (28310)	91800 (26900)	86800 (25440)					
	-15 (-26.1)	98200 (28780)	93400 (27370)	88600 (25970)	83800 (24560)	79200 (23210)	74600 (21860)					
	-20 (-28.9)	85400 (25030)	81000 (23740)	76600 (22450)	72000 (21100)	67600 (19810)	63200 (18520)					
	-25 (-31.7)	73800 (21630)	69600 (20400)	65400 (19170)	61200 (17940)	57000 (16700)	53000 (15530)					
	-30 (-34.4)	62600 (18350)	58800 (17230)	54800 (16060)	51000 (14950)	47200 (13830)	43400 (12720)					
	-35 (-37.2)	52000 (15240)	48800 (14300)	45200 (13250)	41600 (12190)	38000 (11140)	34600 (10140)					
	-40 (-40.0)	42200 (12370)	39000 (11430)	36000 (10550)	32800 (9610)	29600 (8670)	26400 (7740)					
KMD200L8-A Compressor Model 3DS3F46KE	0 (-17.8)	157000 (46010)	151000 (44250)	145000 (42500)	138600 (40620)	132000 (38690)	-					
	-5 (-20.6)	139200 (40800)	133600 (39150)	127800 (37450)	122000 (35750)	116000 (34000)	109600 (32120)					
	-10 (-23.3)	123000 (36050)	117600 (34470)	112400 (32940)	106800 (31300)	101200 (29660)	95600 (28020)					
	-15 (-26.1)	108000 (31650)	103200 (30240)	98000 (28720)	93000 (27260)	87800 (25730)	82600 (24210)					
	-20 (-28.9)	94200 (27610)	89600 (26260)	85000 (24910)	80200 (23500)	75600 (22160)	70600 (20690)					
	-25 (-31.7)	81200 (23800)	77000 (22570)	72800 (21340)	68400 (20050)	64000 (18760)	59600 (17470)					
	-30 (-34.4)	69000 (20220)	65400 (19170)	61400 (17990)	57400 (16820)	53400 (15650)	49400 (14480)					
	-35 (-37.2)	57600 (16880)	54000 (15830)	50400 (14770)	46800 (13720)	43200 (12660)	39600 (11610)					
	-40 (-40.0)	46200 (13540)	43000 (12600)	39600 (11610)	36600 (10730)	33400 (9790)	30000 (8790)					
KMD240L8-A Compressor Model 4DANF47KE	0 (-17.8)	175800 (51520)	168400 (49350)	161000 (47180)	153400 (44960)	145800 (42730)	137800 (40390)					
	-5 (-20.6)	156000 (45720)	149600 (43840)	142800 (41850)	136000 (39860)	128800 (37750)	121600 (35640)					
	-10 (-23.3)	137600 (40330)	131600 (38570)	125400 (36750)	119200 (34930)	112800 (33060)	106200 (31120)					
	-15 (-26.1)	120000 (35170)	114600 (33590)	109000 (31940)	103400 (30300)	97400 (28550)	91400 (26790)					
	-20 (-28.9)	103600 (30360)	98800 (28960)	93800 (27490)	88600 (25970)	83000 (24320)	77400 (22680)					
	-25 (-31.7)	88400 (25910)	84000 (24620)	79400 (23270)	74600 (21860)	69600 (20400)	64400 (18870)					
	-30 (-34.4)	74400 (21800)	70400 (20630)	66200 (19400)	61800 (18110)	57000 (16700)	52200 (15300)					
	-35 (-37.2)	61600 (18050)	58000 (17000)	54000 (15830)	49800 (14590)	45600 (13360)	41000 (12020)					
	-40 (-40.0)	50200 (14710)	46800 (13720)	43000 (12600)	39200 (11490)	35000 (10260)	30600 (8970)					
KMD260L8-A Compressor Model 4DBNF54KE	0 (-17.8)	190600 (55860)	182800 (53570)	174800 (51230)	166400 (48770)	158000 (46310)	149200 (43730)					
	-5 (-20.6)	169600 (49700)	162400 (47590)	155000 (45430)	147400 (43200)	139600 (40910)	131600 (38570)					
	-10 (-23.3)	149600 (43840)	143000 (41910)	136200 (39920)	129400 (37920)	122200 (35810)	114800 (33640)					
	-15 (-26.1)	130600 (38270)	124800 (36580)	118600 (34760)	112400 (32940)	105600 (30950)	99000 (29010)					
	-20 (-28.9)	112800 (33060)	107600 (31530)	101800 (29830)	96200 (28190)	90000 (26380)	84000 (24620)					
	-25 (-31.7)	96400 (28250)	91400 (26790)	86400 (25320)	81000 (23740)	75600 (22160)	69800 (20460)					
	-30 (-34.4)	81000 (23740)	76600 (22450)	72000 (21100)	67000 (19640)	62000 (18170)	56400 (16530)					
	-35 (-37.2)	67200 (19690)	63200 (18520)	58800 (17230)	54200 (15880)	49400 (14480)	44400 (13010)					
	-40 (-40.0)	54800 (16060)	51000 (14950)	46800 (13720)	42600 (12480)	38000 (11140)	33200 (9730)					
KMD300L8-A Compressor Model 4DHNF63KE	0 (-17.8)	214000 (62720)	204800 (60020)	195800 (57380)	186400 (54630)	177400 (51990)	-					
	-5 (-20.6)	191800 (56210)	183600 (53810)	175200 (51350)	167000 (48940)	158600 (46480)	150400 (44080)					
	-10 (-23.3)	170600 (50000)	163200 (47830)	155600 (45600)	148000 (43370)	140400 (41150)	133000 (38980)					
	-15 (-26.1)	150600 (44140)	143800 (42140)	137200 (40210)	130200 (38160)	123400 (36160)	116600 (34170)					
	-20 (-28.9)	131600 (38570)	125800 (36870)	119800 (35110)	113400 (33230)	107400 (31480)	101000 (29600)					
	-25 (-31.7)	114000 (33410)	108800 (31890)	103400 (30300)	97600 (28600)	92000 (26960)	86400 (25320)					
	-30 (-34.4)	97800 (28660)	93000 (27260)	88000 (25790)	83000 (24320)	77800 (22800)	72400 (21220)					
	-35 (-37.2)	83000 (24320)	78600 (23040)	74000 (21690)	69000 (20220)	64400 (18870)	59400 (17410)					
	-40 (-40.0)	69400 (20340)	65200 (19110)	61000 (17880)	56400 (16530)	52000 (15240)	47400 (13890)					
KMD440L8-A Compressor Model 4DJNF76KE	0 (-17.8)	270200 (79190)	259200 (75960)	248000 (72680)	236400 (69280)	225000 (65940)	-					
	-5 (-20.6)	239600 (70220)	229400 (67230)	218800 (64120)	208400 (61080)	197400 (57850)	-					
	-10 (-23.3)	211000 (61840)	201600 (59080)	192000 (56270)	182000 (53340)	172200 (50470)	162200 (47540)					
	-15 (-26.1)	184600 (54100)	176000 (51580)	167400 (49060)	158400 (46420)	149400 (43780)	140000 (41030)					
	-20 (-28.9)	160600 (47070)	152800 (44780)	145200 (42550)	137200 (40210)	129000 (37810)	120600 (35340)					
	-25 (-31.7)	139000 (40740)	132400 (38800)	125400 (36750)	118400 (34700)	111400 (32650)	104000 (30480)					
	-30 (-34.4)	120200 (35230)	114200 (33470)	108400 (31770)	102400 (30010)	96200 (28190)	89800 (26320)					
	-35 (-37.2)	103800 (30420)	99200 (29070)	94200 (27610)	89200 (26140)	84200 (24680)	78800 (23090)					
	-40 (-40.0)	90400 (26490)	86800 (25440)	83000 (24320)	79200 (23210)	75200 (22040)	71000 (20810)					

CAPACITY DATA - R448A R449A
HIGH TEMPERATURE

MODEL KMD	SATURATED SUCTION TEMPERATURE F° (C°)	CAPACITY BTU/H (WATTS) R448A R449A AMBIENT TEMPERATURE °F (°C)									
		85 (29.4)	90 (32.2)	95 (35.0)	100 (37.8)	105 (40.6)	110 (43.3)				
KMD150H8-A Comp. Model 2DL3R78KE	45 (7.2)	200800 (58850)	193200 (56620)	185800 (54450)	178200 (52230)	170800 (50060)	163200 (47830)				
	40 (4.4)	183400 (53750)	176600 (51760)	169600 (49700)	162800 (47710)	155800 (45660)	148800 (43610)				
	35 (1.7)	167000 (48940)	160800 (47130)	154600 (45310)	148200 (43430)	142000 (41620)	135600 (39740)				
KMD151H8-A Comp. Model 2DA3R89KE	45 (7.2)	223400 (65470)	214800 (62950)	206200 (60430)	197600 (57910)	189000 (55390)	180200 (52810)				
	40 (4.4)	205000 (60080)	197000 (57730)	189200 (55450)	181200 (53100)	173200 (50760)	165200 (48420)				
	35 (1.7)	187200 (54860)	180000 (52750)	172600 (50580)	165400 (48470)	158200 (46360)	150800 (44190)				
KMD160H8-A Comp. Model 3DA3R10ME	45 (7.2)	270600 (79300)	260200 (76260)	250000 (73270)	239400 (70160)	229200 (67170)	219000 (64180)				
	40 (4.4)	249000 (72970)	239600 (70220)	230200 (67460)	220600 (64650)	211200 (61900)	201800 (59140)				
	35 (1.7)	228000 (66820)	219400 (64300)	210800 (61780)	202200 (59260)	193600 (56740)	185000 (54220)				
KMD200H8-A Comp. Model 3DB3R12ME	45 (7.2)	324200 (95010)	312000 (91440)	299800 (87860)	287400 (84230)	275200 (80650)	262800 (77020)				
	40 (4.4)	298200 (87390)	287200 (84170)	276200 (80950)	265000 (77660)	253600 (74320)	242200 (70980)				
	35 (1.7)	273200 (80070)	263400 (77190)	253200 (74210)	243000 (71220)	232600 (68170)	222200 (65120)				
KMD240H8-A Comp. Model 3DF3R15ME	45 (7.2)	382000 (111950)	367000 (107560)	352200 (103220)	337200 (98820)	322400 (94490)	307400 (90090)				
	40 (4.4)	351600 (103040)	338200 (99120)	324400 (95070)	310800 (91090)	297200 (87100)	283800 (83170)				
	35 (1.7)	322000 (94370)	309800 (90790)	297400 (87160)	285000 (83520)	272600 (79890)	260200 (76260)				
KMD300H8-A Comp. Model 3DS3R17ME	45 (7.2)	431200 (126370)	414600 (121510)	398000 (116640)	381400 (111780)	365000 (106970)	348800 (102220)				
	40 (4.4)	397400 (116470)	382200 (112010)	367200 (107620)	352400 (103280)	337400 (98880)	323000 (94660)				
	35 (1.7)	364600 (106850)	351000 (102870)	337400 (98880)	323800 (94900)	310600 (91030)	297400 (87160)				
KMD400H8-A Comp. Model 4DANR18ME	45 (7.2)	466600 (136750)	448000 (131300)	428800 (125670)	408800 (119810)	---	---				
	40 (4.4)	428400 (125550)	411400 (120570)	393800 (115410)	375800 (110140)	---	---				
	35 (1.7)	392000 (114880)	376600 (110370)	360600 (105680)	344400 (100930)	327400 (95950)	---				

NOTES: - Above ratings are based on mean temperature. - To convert to dew point ratings, use 0.95 multiplier. - For R449A, use R448A data.

CAPACITY DATA - R448A R449A
MEDIUM TEMPERATURE

MODEL KMD	SATURATED SUCTION TEMPERATURE		CAPACITY BTU/H (WATTS) R448A R449A						AMBIENT TEMPERATURE °F (°C)							
	° F	° C	85 (29.4)	90 (32.2)	95 (35.0)	100 (37.8)	105 (40.6)	110 (43.3)	85 (29.4)	90 (32.2)	95 (35.0)	100 (37.8)	105 (40.6)	110 (43.3)		
KMD150M8-A Compressor Model 2DL3R78KE	30	(-1.1)	151600 (44430)	146200 (42850)	140400 (41150)	134800 (39510)	129000 (37810)	123200 (36110)	30	(-1.1)	170200 (49880)	163600 (47950)	157000 (46010)	150400 (44080)	143800 (42140)	137200 (40210)
	25	(-3.9)	137400 (40270)	132400 (38800)	127200 (37280)	122000 (35750)	117000 (34290)	111800 (32770)	25	(-3.9)	154000 (45130)	148000 (43370)	142200 (41670)	136000 (39860)	130200 (38160)	124200 (36400)
	20	(-6.7)	124200 (36400)	119400 (34990)	114800 (33640)	110200 (32300)	105600 (30950)	101000 (29600)	20	(-6.7)	138600 (40620)	133400 (39100)	128200 (37570)	122600 (35930)	117400 (34410)	112000 (32820)
	15	(-9.4)	111800 (32770)	107600 (31530)	103600 (30360)	99400 (29130)	95200 (27900)	91000 (26670)	15	(-9.4)	124400 (36460)	119800 (35110)	114800 (33640)	110000 (32240)	105200 (30830)	100400 (29420)
	10	(-12.2)	100000 (29310)	96400 (28250)	92800 (27200)	89000 (26080)	85200 (24970)	81600 (23910)	10	(-12.2)	111000 (32530)	106800 (31300)	102600 (30070)	98200 (28780)	93800 (27490)	89600 (26260)
	5	(-15)	89200 (26140)	86200 (25260)	82800 (24270)	79400 (23270)	76000 (22270)	72600 (21280)	5	(-15)	99000 (29010)	95200 (27900)	91200 (26730)	87400 (25610)	83400 (24440)	79600 (23330)
0	(-17.8)	79200 (23210)	76200 (22330)	73200 (21450)	70400 (20630)	67400 (19750)	64400 (18870)	0	(-17.8)	87600 (25670)	84200 (24680)	80600 (23620)	77200 (22630)	73800 (21630)	70400 (20630)	
KMD151M8-A Compressor Model 2DA3R89KE	30	(-1.1)	170200 (49880)	163600 (47950)	157000 (46010)	150400 (44080)	143800 (42140)	137200 (40210)	30	(-1.1)	208000 (60960)	200200 (58670)	192200 (56330)	184400 (54040)	176400 (51700)	168600 (49410)
	25	(-3.9)	154000 (45130)	148000 (43370)	142200 (41670)	136000 (39860)	130200 (38160)	124200 (36400)	25	(-3.9)	188400 (55210)	181400 (53160)	174400 (51110)	167000 (48940)	159800 (46830)	152600 (44720)
	20	(-6.7)	138600 (40620)	133400 (39100)	128200 (37570)	122600 (35930)	117400 (34410)	112000 (32820)	20	(-6.7)	169800 (49760)	163600 (47950)	157000 (46010)	150400 (44080)	143800 (42140)	137200 (40210)
	15	(-9.4)	124400 (36460)	119800 (35110)	114800 (33640)	110000 (32240)	105200 (30830)	100400 (29420)	15	(-9.4)	152400 (44660)	146600 (42960)	140800 (41260)	134600 (39450)	128400 (37630)	122200 (35810)
	10	(-12.2)	111000 (32530)	106800 (31300)	102600 (30070)	98200 (28780)	93800 (27490)	89600 (26260)	10	(-12.2)	136000 (39860)	130800 (38330)	125200 (36690)	119400 (34990)	113800 (33350)	108000 (31650)
	5	(-15)	99000 (29010)	95200 (27900)	91200 (26730)	87400 (25610)	83400 (24440)	79600 (23330)	5	(-15)	121000 (35460)	116000 (34000)	110600 (32410)	105400 (30890)	99800 (29250)	94200 (27610)
0	(-17.8)	87600 (25670)	84200 (24680)	80600 (23620)	77200 (22630)	73800 (21630)	70400 (20630)	0	(-17.8)	106800 (31300)	102200 (29950)	97200 (28490)	92200 (27020)	86800 (25440)	81200 (23800)	
KMD160M8-A Compressor Model 3DA3R10ME	30	(-1.1)	208000 (60960)	200200 (58670)	192200 (56330)	184400 (54040)	176400 (51700)	168600 (49410)	30	(-1.1)	249000 (72970)	240200 (70400)	231000 (67700)	221800 (65000)	212400 (62250)	202600 (59380)
	25	(-3.9)	188400 (55210)	181400 (53160)	174400 (51110)	167000 (48940)	159800 (46830)	152600 (44720)	25	(-3.9)	226200 (66290)	218000 (63890)	209800 (61490)	201400 (59020)	192600 (56450)	183800 (53870)
	20	(-6.7)	169800 (49760)	163600 (47950)	157000 (46010)	150400 (44080)	143800 (42140)	137200 (40210)	20	(-6.7)	204400 (59900)	197000 (57730)	189400 (55510)	181600 (53220)	173600 (50880)	165600 (48530)
	15	(-9.4)	152400 (44660)	146600 (42960)	140800 (41260)	134600 (39450)	128400 (37630)	122200 (35810)	15	(-9.4)	183800 (53870)	177000 (51870)	170200 (49880)	163000 (47770)	155600 (45600)	148000 (43370)
	10	(-12.2)	136000 (39860)	130800 (38330)	125200 (36690)	119400 (34990)	113800 (33350)	108000 (31650)	10	(-12.2)	164400 (48180)	158400 (46420)	152000 (44550)	145400 (42610)	138400 (40560)	131200 (38450)
	5	(-15)	121000 (35460)	116000 (34000)	110600 (32410)	105400 (30890)	99800 (29250)	94200 (27610)	5	(-15)	146600 (42960)	141000 (41320)	135000 (39560)	128800 (37750)	122200 (35810)	115200 (33760)
0	(-17.8)	106800 (31300)	102200 (29950)	97200 (28490)	92200 (27020)	86800 (25440)	81200 (23800)	0	(-17.8)	130200 (38160)	125000 (36630)	119200 (34930)	113200 (33180)	106800 (31300)	100200 (29370)	
KMD200M8-A Compressor Model 3DB3R12ME	30	(-1.1)	249000 (72970)	240200 (70400)	231000 (67700)	221800 (65000)	212400 (62250)	202600 (59380)	30	(-1.1)	293000 (85870)	282000 (82650)	271000 (79420)	259800 (76140)	248400 (72800)	237000 (69460)
	25	(-3.9)	226200 (66290)	218000 (63890)	209800 (61490)	201400 (59020)	192600 (56450)	183800 (53870)	25	(-3.9)	265200 (77720)	255600 (74910)	245400 (71920)	235400 (68990)	225200 (66000)	214600 (62890)
	20	(-6.7)	204400 (59900)	197000 (57730)	189400 (55510)	181600 (53220)	173600 (50880)	165600 (48530)	20	(-6.7)	239000 (70040)	230200 (67460)	221200 (64830)	211800 (62070)	202400 (59320)	193000 (56560)
	15	(-9.4)	183800 (53870)	177000 (51870)	170200 (49880)	163000 (47770)	155600 (45600)	148000 (43370)	15	(-9.4)	214000 (62720)	206200 (60430)	198000 (58030)	189600 (55570)	181000 (53050)	172200 (50470)
	10	(-12.2)	164400 (48180)	158400 (46420)	152000 (44550)	145400 (42610)	138400 (40560)	131200 (38450)	10	(-12.2)	190800 (55920)	183800 (53870)	176400 (51700)	168800 (49470)	160800 (47130)	152600 (44720)
	5	(-15)	146600 (42960)	141000 (41320)	135000 (39560)	128800 (37750)	122200 (35810)	115200 (33760)	5	(-15)	169600 (49700)	163200 (47830)	156400 (45840)	149400 (43780)	142000 (41620)	134200 (39330)
0	(-17.8)	130200 (38160)	125000 (36630)	119200 (34930)	113200 (33180)	106800 (31300)	100200 (29370)	0	(-17.8)	150400 (44080)	144400 (42320)	138200 (40500)	131400 (38510)	124600 (36520)	117200 (34350)	
KMD240M8-A Compressor Model 3DF3R15ME	30	(-1.1)	293000 (85870)	282000 (82650)	271000 (79420)	259800 (76140)	248400 (72800)	237000 (69460)	30	(-1.1)	332600 (97480)	320400 (93900)	308400 (90380)	296400 (86870)	284400 (83350)	272400 (79830)
	25	(-3.9)	265200 (77720)	255600 (74910)	245400 (71920)	235400 (68990)	225200 (66000)	214600 (62890)	25	(-3.9)	302200 (88570)	291200 (85340)	280600 (82240)	269600 (79010)	258800 (75850)	248000 (72680)
	20	(-6.7)	239000 (70040)	230200 (67460)	221200 (64830)	211800 (62070)	202400 (59320)	193000 (56560)	20	(-6.7)	273200 (80070)	263400 (77190)	253600 (74320)	243800 (71450)	234200 (68640)	224200 (65710)
	15	(-9.4)	214000 (62720)	206200 (60430)	198000 (58030)	189600 (55570)	181000 (53050)	172200 (50470)	15	(-9.4)	245400 (71920)	236800 (69400)	228000 (66820)	219200 (64240)	210400 (61660)	201600 (59080)
	10	(-12.2)	190800 (55920)	183800 (53870)	176400 (51700)	168800 (49470)	160800 (47130)	152600 (44720)	10	(-12.2)	219600 (64360)	211800 (62070)	203800 (59730)	195800 (57380)	187600 (54980)	179600 (52640)
	5	(-15)	169600 (49700)	163200 (47830)	156400 (45840)	149400 (43780)	142000 (41620)	134200 (39330)	5	(-15)	195600 (57320)	188400 (55210)	181000 (53050)	173400 (50820)	166000 (48650)	158400 (46420)
0	(-17.8)	150400 (44080)	144400 (42320)	138200 (40500)	131400 (38510)	124600 (36520)	117200 (34350)	0	(-17.8)	173200 (50760)	166600 (48830)	159600 (46770)	152600 (44720)	145600 (42670)	138400 (40560)	
KMD300M8-A Compressor Model 3DS3R17ME	30	(-1.1)	332600 (97480)	320400 (93900)	308400 (90380)	296400 (86870)	284400 (83350)	272400 (79830)	30	(-1.1)	357200 (104680)	343400 (100640)	329200 (96480)	314400 (92140)	299200 (87690)	---
	25	(-3.9)	302200 (88570)	291200 (85340)	280600 (82240)	269600 (79010)	258800 (75850)	248000 (72680)	25	(-3.9)	324200 (95010)	311800 (91380)	299200 (87690)	286000 (83820)	272400 (79830)	258400 (75730)
	20	(-6.7)	273200 (80070)	263400 (77190)	253600 (74320)	243800 (71450)	234200 (68640)	224200 (65710)	20	(-6.7)	293000 (85870)	282000 (82650)	270800 (79360)	259200 (75960)	247200 (72450)	234600 (68750)
	15	(-9.4)	245400 (71920)	236800 (69400)	228000 (66820)	219200 (64240)	210400 (61660)	201600 (59080)	15	(-9.4)	263400 (77190)	253800 (74380)	243800 (71450)	233600 (68460)	223200 (65410)	212200 (62190)
	10	(-12.2)	219600 (64360)	211800 (62070)	203800 (59730)	195800 (57380)	187600 (54980)	179600 (52640)	10	(-12.2)	235600 (69050)	227000 (66530)	218200 (63950)	209400 (61370)	200200 (58670)	190800 (55920)
	5	(-15)	195600 (57320)	188400 (55210)	181000 (53050)	173400 (50820)	166000 (48650)	158400 (46420)	5	(-15)	209200 (61310)	201600 (59080)	194000 (56860)	186400 (54630)	178600 (52340)	170400 (49940)
0	(-17.8)	173200 (50760)	166600 (48830)	159600 (46770)	152600 (44720)	145600 (42670)	138400 (40560)	0	(-17.8)	184200 (53980)	177600 (52050)	171000 (50110)	164400 (48180)	157600 (46190)	150800 (44190)	

CAPACITY DATA - R448A R449A
LOW TEMPERATURE

MODEL KMD	SATURATED SUCTION TEMPERATURE		CAPACITY BTU/H (WATTS) R448A R449A AMBIENT TEMPERATURE °F (°C)									
	° F	° C	85 (29.4)	90 (32.2)	95 (35.0)	100 (37.8)	105 (40.6)	110 (43.3)				
KMD150L8-A Compressor Model 3DB3F33KE	-5 (-20.6)		109600 (32120)	105000 (30770)	100600 (29480)	96000 (28130)	91600 (26850)	87200 (25560)				
	-10 (-23.3)		97000 (28430)	92600 (27140)	88400 (25910)	84200 (24680)	80000 (23450)	75800 (22210)				
	-15 (-26.1)		85400 (25030)	81400 (23860)	77400 (22680)	73600 (21570)	69600 (20400)	65600 (19230)				
	-20 (-28.9)		75200 (22040)	71400 (20930)	67600 (19810)	63600 (18640)	59800 (17530)	56000 (16410)				
	-25 (-31.7)		65600 (19230)	62000 (18170)	58400 (17120)	54800 (16060)	51000 (14950)	47400 (13890)				
	-30 (-34.4)		56800 (16650)	53400 (15650)	50000 (14650)	46400 (13600)	42800 (12540)	39200 (11490)				
	-35 (-37.2)		48400 (14180)	45200 (13250)	42000 (12310)	38400 (11250)	35000 (10260)	31800 (9320)				
-40 (-40.0)		40400 (11840)	37400 (10960)	34200 (10020)	30800 (9030)	27800 (8150)	24400 (7150)					
KMD180L8-A Compressor Model 3DF3F40KE	-5 (-20.6)		131600 (38570)	126000 (36930)	120400 (35290)	114400 (33530)	108600 (31830)	102600 (30070)				
	-10 (-23.3)		116000 (34000)	110600 (32410)	105400 (30890)	100000 (29310)	94600 (27720)	89000 (26080)				
	-15 (-26.1)		101400 (29720)	96600 (28310)	91800 (26900)	86800 (25440)	81600 (23910)	76600 (22450)				
	-20 (-28.9)		88200 (25850)	83800 (24560)	79200 (23210)	74600 (21860)	70000 (20510)	65200 (19110)				
	-25 (-31.7)		76200 (22330)	72000 (21100)	67800 (19870)	63400 (18580)	59000 (17290)	54600 (16000)				
	-30 (-34.4)		65400 (19170)	61600 (18050)	57600 (16880)	53400 (15650)	49200 (14420)	44800 (13130)				
	-35 (-37.2)		55400 (16240)	51600 (15120)	47800 (14010)	43800 (12840)	39600 (11610)	35400 (10370)				
-40 (-40.0)		46200 (13540)	42600 (12480)	38800 (11370)	34800 (10200)	30800 (9030)	26800 (7850)					
KMD200L8-A Compressor Model 3DS3F46KE	-5 (-20.6)		147200 (43140)	141200 (41380)	134800 (39510)	128400 (37630)	121800 (35700)	115200 (33760)				
	-10 (-23.3)		129400 (37920)	123600 (36220)	117800 (34520)	112000 (32820)	106000 (31070)	100000 (29310)				
	-15 (-26.1)		113200 (33180)	108000 (31650)	102400 (30010)	97000 (28430)	91600 (26850)	85800 (25150)				
	-20 (-28.9)		98400 (28840)	93400 (27370)	88600 (25970)	83400 (24440)	78400 (22980)	73000 (21390)				
	-25 (-31.7)		85000 (24910)	80400 (23560)	75800 (22210)	71000 (20810)	66200 (19400)	61200 (17940)				
	-30 (-34.4)		72800 (21340)	68600 (20100)	64200 (18820)	59600 (17470)	55000 (16120)	50200 (14710)				
	-35 (-37.2)		62000 (18170)	57800 (16940)	53400 (15650)	49200 (14420)	44600 (13070)	40000 (11720)				
-40 (-40.0)		51600 (15120)	47600 (13950)	43400 (12720)	39000 (11430)	34600 (10140)	30200 (8850)					
KMD240L8-A Compressor Model 4DANF47KE	-5 (-20.6)		161000 (47180)	154400 (45250)	147600 (43260)	140600 (41210)	133400 (39100)	126000 (36930)				
	-10 (-23.3)		142000 (41620)	136000 (39860)	129800 (38040)	123400 (36160)	116600 (34170)	109800 (32180)				
	-15 (-26.1)		124000 (36340)	118600 (34760)	112800 (33060)	107000 (31360)	100800 (29540)	94600 (27720)				
	-20 (-28.9)		107200 (31420)	102400 (30010)	97200 (28490)	91600 (26850)	86000 (25200)	80200 (23500)				
	-25 (-31.7)		91800 (26900)	87400 (25610)	82600 (24210)	77600 (22740)	72200 (21160)	66800 (19580)				
	-30 (-34.4)		78000 (22860)	73800 (21630)	69200 (20280)	64600 (18930)	59600 (17470)	54600 (16000)				
	-35 (-37.2)		65400 (19170)	61600 (18050)	57400 (16820)	53000 (15530)	48400 (14180)	43400 (12720)				
-40 (-40.0)		54600 (16000)	51000 (14950)	46800 (13720)	42600 (12480)	38200 (11200)	33600 (9850)					
KMD260L8-A Compressor Model 4DBNF54KE	-5 (-20.6)		175200 (51350)	168000 (49240)	160400 (47010)	152600 (44720)	144600 (42380)	136600 (40030)				
	-10 (-23.3)		154600 (45310)	147800 (43320)	141200 (41380)	134000 (39270)	126600 (37100)	119000 (34880)				
	-15 (-26.1)		135000 (39560)	129000 (37810)	122800 (35990)	116400 (34110)	109400 (32060)	102400 (30010)				
	-20 (-28.9)		117000 (34290)	111400 (32650)	105600 (30950)	99600 (29190)	93400 (27370)	87000 (25500)				
	-25 (-31.7)		100200 (29370)	95200 (27900)	89800 (26320)	84200 (24680)	78600 (23040)	72400 (21220)				
	-30 (-34.4)		85000 (24910)	80200 (23500)	75400 (22100)	70200 (20570)	64600 (18930)	59000 (17290)				
	-35 (-37.2)		71400 (20930)	67000 (19640)	62400 (18290)	57600 (16880)	52600 (15420)	47000 (13770)				
-40 (-40.0)		59600 (17470)	55600 (16290)	51000 (14950)	46400 (13600)	41600 (12190)	36400 (10670)					
KMD300L8-A Compressor Model 4DHNF63KE	-5 (-20.6)		197200 (57790)	189000 (55390)	180600 (52930)	172200 (50470)	163800 (48000)	155600 (45600)				
	-10 (-23.3)		175800 (51520)	168200 (49290)	160600 (47070)	153000 (44840)	145400 (42610)	137800 (40390)				
	-15 (-26.1)		155600 (45600)	148800 (43610)	142000 (41620)	134800 (39510)	127800 (37450)	120800 (35400)				
	-20 (-28.9)		137000 (40150)	130600 (38270)	124200 (36400)	117600 (34470)	111000 (32530)	104600 (30660)				
	-25 (-31.7)		119000 (34880)	113400 (33230)	107400 (31480)	101200 (29660)	95000 (27840)	88800 (26020)				
	-30 (-34.4)		102400 (30010)	96800 (28370)	91200 (26730)	85400 (25030)	79400 (23270)	73600 (21570)				
	-35 (-37.2)		86600 (25380)	81200 (23800)	75800 (22210)	70200 (20570)	64200 (18820)	58600 (17170)				
-40 (-40.0)		71400 (20930)	66200 (19400)	60600 (17760)	55200 (16180)	49600 (14540)	43600 (12780)					
KMD440L8-A Compressor Model 4DJNF76KE	-5 (-20.6)		245200 (71860)	235000 (68870)	224400 (65760)	214000 (62720)	203400 (59610)	192800 (56500)				
	-10 (-23.3)		217000 (63600)	207200 (60720)	197600 (57910)	188000 (55100)	177800 (52110)	168000 (49240)				
	-15 (-26.1)		191200 (56030)	182200 (53400)	173200 (50760)	164200 (48120)	154800 (45370)	145600 (42670)				
	-20 (-28.9)		167600 (49120)	159400 (46720)	151000 (44250)	142400 (41730)	133600 (39150)	124800 (36580)				
	-25 (-31.7)		146000 (42790)	138200 (40500)	130200 (38160)	122200 (35810)	114000 (33410)	105600 (30950)				
	-30 (-34.4)		125400 (36750)	118000 (34580)	110600 (32410)	103000 (30190)	95200 (27900)	87200 (25560)				
	-35 (-37.2)		105600 (30950)	98800 (28960)	91800 (26900)	84400 (24740)	76800 (22510)	69400 (20340)				
-40 (-40.0)		86200 (25260)	79600 (23330)	72800 (21340)	66000 (19340)	58800 (17230)	51400 (15060)					

NOTES: - Above ratings are based on mean temperature. - To convert to dew point ratings, use 0.95 multiplier. - For R449A, use R448A data.

CAPACITY DATA - R407C
HIGH TEMPERATURE

MODEL KMD	SATURATED SUCTION TEMPERATURE F° (C°)	CAPACITY BTU/H (WATTS) R407C AMBIENT TEMPERATURE °F (°C)								
		85 (29.4)	90 (32.2)	95 (35.0)	100 (37.8)	105 (40.6)	110 (43.3)			
KMD150H8-A Compressor Model 2DL3R78KE	55 (12.8)	246400 (72210)	239400 (70160)	232400 (68110)	225800 (66180)	219000 (64180)	-	-	-	-
	50 (10)	224000 (65650)	217600 (63770)	211000 (61840)	204600 (59960)	198200 (58090)	192000 (56270)	192000 (56270)	192000 (56270)	192000 (56270)
	45 (7.2)	199200 (58380)	193000 (56560)	187000 (54800)	180800 (52990)	174800 (51230)	169000 (49530)	169000 (49530)	169000 (49530)	169000 (49530)
	40 (4.4)	180000 (52750)	174000 (50990)	168400 (49350)	162800 (47710)	157000 (46010)	151600 (44430)	151600 (44430)	151600 (44430)	151600 (44430)
	35 (-17.8)	162200 (47540)	156600 (45890)	151200 (44310)	146000 (42790)	140800 (41260)	135600 (39740)	135600 (39740)	135600 (39740)	135600 (39740)
KMD151H8-A Compressor Model 2DA3R89KE	55 (12.8)	271200 (79480)	263200 (77140)	255200 (74790)	247400 (72510)	239600 (70220)	-	-	-	-
	50 (10)	247800 (72620)	240200 (70400)	232600 (68170)	225600 (66120)	218200 (63950)	218200 (63950)	218200 (63950)	218200 (63950)	218200 (63950)
	45 (7.2)	221200 (64830)	214000 (62720)	207000 (60670)	200200 (58670)	193600 (56740)	187200 (54860)	187200 (54860)	187200 (54860)	187200 (54860)
	40 (4.4)	200400 (58730)	193800 (56800)	187400 (54920)	181000 (53050)	174800 (51230)	168600 (49410)	168600 (49410)	168600 (49410)	168600 (49410)
	35 (-17.8)	181000 (53050)	175000 (51290)	168800 (49470)	163000 (47770)	157200 (46070)	151600 (44430)	151600 (44430)	151600 (44430)	151600 (44430)
KMD160H8-A Compressor Model 3DA3R10ME	55 (12.8)	313800 (91970)	302400 (88620)	291200 (85340)	280400 (82180)	269400 (78950)	259000 (75910)	259000 (75910)	259000 (75910)	259000 (75910)
	50 (10)	289400 (84810)	278800 (81710)	268600 (78720)	258800 (75850)	249000 (72970)	239400 (70160)	239400 (70160)	239400 (70160)	239400 (70160)
	45 (7.2)	260800 (76430)	251400 (73680)	242200 (70980)	233200 (68340)	224200 (65710)	215600 (63190)	215600 (63190)	215600 (63190)	215600 (63190)
	40 (4.4)	238600 (69930)	230000 (67410)	221800 (65000)	213600 (62600)	205600 (60260)	197600 (57910)	197600 (57910)	197600 (57910)	197600 (57910)
	35 (-17.8)	217200 (63650)	209800 (61490)	202200 (59260)	194800 (57090)	187600 (54980)	180200 (52810)	180200 (52810)	180200 (52810)	180200 (52810)
KMD200H8-A Compressor Model 3DB3R12ME	55 (12.8)	375400 (110020)	361800 (106030)	348600 (102160)	335800 (98410)	323000 (94660)	310000 (90850)	298400 (87450)	286600 (83990)	286600 (83990)
	50 (10)	345800 (101340)	333600 (97770)	321800 (94310)	310000 (90850)	298400 (87450)	286600 (83990)	286600 (83990)	286600 (83990)	286600 (83990)
	45 (7.2)	311400 (91260)	300600 (88100)	289800 (84930)	279400 (81880)	268600 (78720)	258000 (75610)	258000 (75610)	258000 (75610)	258000 (75610)
	40 (4.4)	284800 (83470)	275200 (80650)	265400 (77780)	256000 (75030)	246400 (72210)	236600 (69340)	236600 (69340)	236600 (69340)	236600 (69340)
	35 (-17.8)	259600 (76080)	251000 (73560)	242400 (71040)	233800 (68520)	225000 (65940)	216000 (63300)	216000 (63300)	216000 (63300)	216000 (63300)
KMD240H8-A Compressor Model 3DF3R15ME	55 (12.8)	440200 (129010)	423800 (124200)	407600 (119460)	391800 (114820)	376600 (110370)	361000 (105800)	346000 (101600)	334600 (98060)	334600 (98060)
	50 (10)	406400 (119100)	391400 (114710)	377000 (110490)	362600 (106270)	348600 (102160)	334600 (98060)	334600 (98060)	334600 (98060)	334600 (98060)
	45 (7.2)	366400 (107380)	353000 (103450)	340000 (99640)	327000 (95830)	314400 (92140)	301600 (88390)	301600 (88390)	301600 (88390)	301600 (88390)
	40 (4.4)	335400 (98300)	323400 (94780)	311600 (91320)	299800 (87860)	288400 (84520)	276800 (81120)	276800 (81120)	276800 (81120)	276800 (81120)
	35 (-17.8)	305400 (89500)	294800 (86400)	284400 (83350)	273800 (80240)	263400 (77190)	252600 (74030)	252600 (74030)	252600 (74030)	252600 (74030)
KMD300H8-A Compressor Model 3DS3R17ME	55 (12.8)	490600 (143780)	472200 (138390)	454600 (133230)	437400 (128190)	420400 (123210)	403400 (118220)	389400 (114120)	374000 (109610)	374000 (109610)
	50 (10)	452600 (132640)	436000 (127780)	420000 (123090)	404400 (118520)	389400 (114120)	374000 (109610)	374000 (109610)	374000 (109610)	374000 (109610)
	45 (7.2)	408200 (119630)	393400 (115290)	379000 (111070)	365200 (107030)	351400 (102980)	337800 (99000)	337800 (99000)	337800 (99000)	337800 (99000)
	40 (4.4)	373800 (109550)	360600 (105680)	347800 (101930)	335400 (98300)	323000 (94660)	310800 (91090)	310800 (91090)	310800 (91090)	310800 (91090)
	35 (-17.8)	340800 (99880)	329200 (96480)	318000 (93200)	306800 (89910)	295600 (86630)	284600 (83410)	284600 (83410)	284600 (83410)	284600 (83410)
KMD400H8-A Compressor Model 4DANR18ME	55 (12.8)	557200 (163300)	528600 (154920)	500000 (146540)	471800 (138270)	444000 (130120)	---	---	---	---
	50 (10)	508400 (149000)	482200 (141320)	456600 (133820)	431200 (126370)	406200 (119050)	381600 (111840)	381600 (111840)	381600 (111840)	381600 (111840)
	45 (7.2)	461600 (135280)	438400 (128480)	415400 (121740)	393200 (115240)	371200 (108790)	349600 (102460)	349600 (102460)	349600 (102460)	349600 (102460)
	40 (4.4)	417400 (122330)	397000 (116350)	377200 (110550)	357800 (104860)	338600 (99230)	320000 (93780)	320000 (93780)	320000 (93780)	320000 (93780)
	35 (-17.8)	376400 (110310)	358800 (105150)	341600 (100110)	325000 (95250)	308800 (90500)	293000 (85870)	293000 (85870)	293000 (85870)	293000 (85870)

NOTES: - Above ratings are based on mean temperature. - To convert to dew point ratings, use 0.95 multiplier.

CAPACITY DATA - R407C
MEDIUM TEMPERATURE

MODEL KMD	SATURATED SUCTION TEMPERATURE		CAPACITY BTU/H (WATTS) R407C AMBIENT TEMPERATURE °F (°C)									
	° F	° C	85 (29.4)	90 (32.2)	95 (35.0)	100 (37.8)	105 (40.6)	110 (43.3)				
KMD150M8-A Compressor Model 2DL3R78KE	30	(-1.1)	145600 (42670)	140200 (41090)	135400 (39680)	130400 (38220)	125800 (36870)	121200 (35520)				
	25	(-3.9)	130200 (38160)	125400 (36750)	121000 (35460)	116400 (34110)	112200 (32880)	108000 (31650)				
	20	(-6.7)	116200 (34050)	111800 (32770)	107800 (31590)	103600 (30360)	99800 (29250)	96000 (28130)				
	15	(-9.4)	103200 (30240)	99400 (29130)	95600 (28020)	92000 (26960)	88600 (25970)	85200 (24970)				
	10	(-12.2)	91600 (26850)	88200 (25850)	84800 (24850)	81600 (23910)	78800 (23090)	75800 (22210)				
KMD151M8-A Compressor Model 2DA3R89KE	30	(-1.1)	162800 (47710)	157000 (46010)	151600 (44430)	146200 (42850)	141000 (41320)	136000 (39740)				
	25	(-3.9)	146000 (42790)	140800 (41260)	135600 (39740)	130600 (38270)	125800 (36870)	121000 (35460)				
	20	(-6.7)	130400 (38220)	125600 (36810)	121000 (35460)	116400 (34110)	111800 (32770)	107400 (31480)				
	15	(-9.4)	116200 (34050)	111800 (32770)	107600 (31530)	103200 (30240)	99200 (29070)	95000 (27840)				
	10	(-12.2)	103000 (30190)	99200 (29070)	95200 (27900)	91400 (26790)	87600 (25670)	83800 (24560)				
KMD160M8-A Compressor Model 3DA3R10ME	30	(-1.1)	197000 (57730)	190200 (55740)	183800 (53870)	177000 (51870)	170400 (49940)	163400 (47890)				
	25	(-3.9)	178000 (52170)	172000 (50410)	166200 (48710)	160000 (46890)	153800 (45070)	147200 (43140)				
	20	(-6.7)	160200 (46950)	155000 (45430)	149400 (43780)	143800 (42140)	138000 (40440)	131800 (38630)				
	15	(-9.4)	143600 (42080)	138800 (40680)	133800 (39210)	128600 (37690)	122800 (35990)	117000 (34290)				
	10	(-12.2)	128400 (37630)	123600 (36220)	119000 (34880)	114000 (33410)	108600 (31830)	103000 (30190)				
KMD200M8-A Compressor Model 3DB3R12ME	30	(-1.1)	235600 (69050)	228000 (66820)	220200 (64530)	212600 (62310)	204600 (59960)	196400 (57560)				
	25	(-3.9)	213200 (62480)	206400 (60490)	199600 (58500)	192400 (56390)	185000 (54220)	177200 (51930)				
	20	(-6.7)	192200 (56330)	186200 (54570)	180000 (52750)	173400 (50820)	166600 (48830)	159200 (46660)				
	15	(-9.4)	172600 (50580)	167400 (49060)	161400 (47300)	155400 (45540)	148800 (43610)	141800 (41560)				
	10	(-12.2)	154800 (45370)	149800 (43900)	144200 (42260)	138400 (40560)	132000 (38690)	125200 (36690)				
KMD240M8-A Compressor Model 3DF3R15ME	30	(-1.1)	277000 (81180)	267600 (78430)	258000 (75610)	248600 (72860)	239200 (70100)	229400 (67230)				
	25	(-3.9)	250200 (73330)	241800 (70860)	233400 (68400)	224800 (65880)	215800 (63240)	206800 (60610)				
	20	(-6.7)	224800 (65880)	217400 (63710)	210000 (61540)	202000 (59200)	193800 (56800)	185200 (54280)				
	15	(-9.4)	201200 (58970)	194600 (57030)	188000 (55100)	180600 (52930)	173000 (50700)	164800 (48300)				
	10	(-12.2)	179400 (52580)	173600 (50880)	167400 (49060)	160600 (47070)	153400 (44960)	145400 (42610)				
KMD300M8-A Compressor Model 3DS3R17ME	30	(-1.1)	309800 (90790)	299600 (87800)	289600 (84870)	279600 (81940)	269400 (78950)	259400 (76020)				
	25	(-3.9)	280600 (82240)	271600 (79600)	262600 (76960)	253400 (74260)	244400 (71630)	235000 (68870)				
	20	(-6.7)	252800 (74090)	244800 (71740)	236800 (69400)	228600 (67000)	220200 (64530)	211600 (62010)				
	15	(-9.4)	227200 (66590)	220000 (64480)	212800 (62370)	205400 (60200)	197400 (57850)	189200 (55450)				
	10	(-12.2)	203200 (59550)	196800 (57680)	190000 (55680)	183000 (53630)	175600 (51460)	167400 (49060)				
KMD400M8-A Compressor Model 4DANR18ME	30	(-1.1)	338400 (99170)	323600 (94840)	309000 (90560)	295000 (86460)	281400 (82470)	---	---			
	25	(-3.9)	303800 (89030)	291200 (85340)	279200 (81830)	267400 (78370)	256200 (75080)	---	---			
	20	(-6.7)	272200 (79770)	261800 (76730)	251800 (73800)	242200 (70980)	232800 (68230)	223600 (65530)				
	15	(-9.4)	243600 (71390)	235000 (68870)	226600 (66410)	218600 (64070)	210800 (61780)	203000 (59490)				
	10	(-12.2)	217600 (63770)	210400 (61660)	203400 (59610)	196400 (57560)	189800 (55620)	183200 (53690)				

NOTES: - Above ratings are based on mean temperature. - To convert to dew point ratings, use 0.95 multiplier.

CAPACITY DATA - R404A R507
HIGH TEMPERATURE

MODEL KMD	SATURATED SUCTION TEMPERATURE F° (C°)	CAPACITY BTU/H (WATTS) R404A R507 AMBIENT TEMPERATURE °F (°C)									
		85 (29.4)	90 (32.2)	95 (35.0)	100 (37.8)	105 (40.6)	110 (43.3)				
KMD150H8-A Comp. Model 2DL3R78KE	45 (7.2)	196200 (57500)	187200 (54860)	178200 (52230)	169400 (49650)	160400 (47010)	151400 (44370)				
	40 (4.4)	180800 (52990)	172600 (50580)	164400 (48180)	156200 (45780)	148000 (43370)	139800 (40970)				
	35 (1.7)	166000 (48650)	158600 (46480)	151000 (44250)	143600 (42080)	136000 (39860)	128600 (37690)				
KMD151H8-A Comp. Model 2DA3R89KE	45 (7.2)	219400 (64300)	209200 (61310)	199200 (58380)	189000 (55390)	179000 (52460)	169000 (49530)				
	40 (4.4)	202600 (59380)	193400 (56680)	184000 (53920)	174800 (51230)	165600 (48530)	156400 (45840)				
	35 (1.7)	186600 (54690)	178200 (52230)	169600 (49700)	161200 (47240)	152800 (44780)	144400 (42320)				
KMD160H8-A Comp. Model 3DA3R10ME	45 (7.2)	260400 (76320)	248400 (72800)	236600 (69340)	225000 (65940)	213600 (62600)	202400 (59320)				
	40 (4.4)	240600 (70510)	229600 (67290)	218800 (64120)	208200 (61020)	197800 (57970)	187600 (54980)				
	35 (1.7)	221600 (64940)	211400 (61950)	201600 (59080)	192000 (56270)	182600 (53510)	173200 (50760)				
KMD200H8-A Comp. Model 3DB3R12ME	45 (7.2)	313200 (91790)	299200 (87690)	285200 (83580)	271400 (79540)	257400 (75440)	243600 (71390)				
	40 (4.4)	289000 (84700)	276200 (80950)	263400 (77190)	250600 (73440)	238000 (69750)	225200 (66000)				
	35 (1.7)	265800 (77900)	254200 (74500)	242600 (71100)	231000 (67700)	219400 (64300)	207800 (60900)				
KMD240H8-A Comp. Model 3DF3R15ME	45 (7.2)	385600 (113010)	367800 (107790)	350400 (102690)	332800 (97530)	315400 (92430)	298200 (87390)				
	40 (4.4)	356000 (104330)	339800 (99590)	323800 (94900)	307800 (90210)	291800 (85520)	276000 (80890)				
	35 (1.7)	327600 (96010)	313000 (91730)	298400 (87450)	283800 (83170)	269200 (78890)	254800 (74670)				
KMD300H8-A Comp. Model 3DS3R17ME	45 (7.2)	420800 (123320)	401400 (117640)	382200 (112010)	363000 (106380)	344000 (100820)	325000 (95250)				
	40 (4.4)	389000 (114000)	371200 (108790)	353600 (103630)	336000 (98470)	318600 (93370)	301200 (88270)				
	35 (1.7)	358400 (105040)	342200 (100290)	326200 (95600)	310200 (90910)	294200 (86220)	278400 (81590)				
KMD400H8-A Comp. Model 4DANR18ME	45 (7.2)	440200 (129010)	418200 (122560)	396400 (116170)	374600 (109780)	353200 (103510)	332200 (97360)				
	40 (4.4)	409200 (119920)	388800 (113950)	368200 (107910)	347800 (101930)	327800 (96070)	308200 (90320)				
	35 (1.7)	378800 (111010)	359800 (105450)	340600 (99820)	321600 (94250)	302800 (88740)	284600 (83410)				

MODEL KMD	SATURATED SUCTION TEMPERATURE ° F ° C		CAPACITY BTU/H (WATTS) R404A R507 AMBIENT TEMPERATURE ° F (° C)									
			85 (29.4)	90 (32.2)	95 (35.0)	100 (37.8)	105 (40.6)	110 (43.3)				
KMD150M8-A Compressor Model 2DL3R78KE	30 (-1.1)	151800 (44490)	145000 (42500)	138200 (40500)	131400 (38510)	124600 (36520)	117800 (34520)					
	25 (-3.9)	138400 (40560)	132200 (38740)	126000 (36930)	119800 (35110)	113600 (33290)	107400 (31480)					
	20 (-6.7)	125400 (36750)	119800 (35110)	114200 (33470)	108600 (31830)	103200 (30240)	97600 (28600)					
	15 (-9.4)	113200 (33180)	108200 (31710)	103200 (30240)	98200 (28780)	93200 (27310)	88400 (25910)					
	10 (-12.2)	101800 (29830)	97400 (28550)	93000 (27260)	88400 (25910)	84000 (24620)	79600 (23330)					
	5 (-15)	91400 (26790)	87200 (25560)	83200 (24380)	79200 (23210)	75400 (22100)	71400 (20930)					
0 (-17.8)	81600 (23910)	78000 (22860)	74400 (21800)	70800 (20750)	67200 (19690)	63800 (18700)						
KMD151M8-A Compressor Model 2DA3R89KE	30 (-1.1)	171200 (50170)	163600 (47950)	155800 (45660)	148200 (43430)	140400 (41150)	132800 (38920)					
	25 (-3.9)	156800 (45950)	149800 (43900)	142800 (41850)	135800 (39800)	128800 (37750)	121800 (35700)					
	20 (-6.7)	143000 (41910)	136600 (40030)	130200 (38160)	124000 (36340)	117600 (34470)	111200 (32590)					
	15 (-9.4)	129800 (38040)	124200 (36400)	118400 (34700)	112800 (33060)	107000 (31360)	101400 (29720)					
	10 (-12.2)	117600 (34470)	112600 (33000)	107400 (31480)	102200 (29950)	97000 (28430)	91800 (26900)					
	5 (-15)	106200 (31120)	101600 (29780)	97000 (28430)	92200 (27020)	87600 (25670)	83000 (24320)					
0 (-17.8)	95400 (27960)	91400 (26790)	87200 (25560)	83000 (24320)	78600 (23040)	74400 (21800)						
KMD160M8-A Compressor Model 3DA3R10ME	30 (-1.1)	203200 (59550)	194000 (56860)	185200 (54280)	176600 (51760)	168000 (49240)	159600 (46770)					
	25 (-3.9)	185600 (54390)	177400 (51990)	169400 (49650)	161600 (47360)	154000 (45130)	146400 (42910)					
	20 (-6.7)	169000 (49530)	161600 (47360)	154400 (45250)	147600 (43260)	140800 (41260)	134000 (39270)					
	15 (-9.4)	153000 (44840)	146400 (42910)	140200 (41090)	134000 (39270)	128000 (37510)	122000 (35750)					
	10 (-12.2)	138200 (40500)	132400 (38800)	126800 (37160)	121400 (35580)	116000 (34000)	110600 (32410)					
	5 (-15)	124200 (36400)	119000 (34880)	114200 (33470)	109400 (32060)	104800 (30710)	100000 (29310)					
0 (-17.8)	111200 (32590)	106600 (31240)	102400 (30010)	98200 (28780)	94000 (27550)	89800 (26320)						
KMD200M8-A Compressor Model 3DB3R12ME	30 (-1.1)	243800 (71450)	233200 (68340)	222600 (65240)	212200 (62190)	201600 (59080)	191200 (56030)					
	25 (-3.9)	222800 (65300)	213400 (62540)	203800 (59730)	194400 (56970)	185000 (54220)	175400 (51400)					
	20 (-6.7)	203000 (59490)	194600 (57030)	186000 (54510)	177600 (52050)	169000 (49530)	160400 (47010)					
	15 (-9.4)	184400 (54040)	176800 (51810)	169200 (49590)	161600 (47360)	154000 (45130)	146400 (42910)					
	10 (-12.2)	167000 (48940)	160200 (46950)	153400 (44960)	146600 (42960)	139800 (40970)	132800 (38920)					
	5 (-15)	150600 (44140)	144400 (42320)	138400 (40560)	132400 (38800)	126200 (36990)	120000 (35170)					
0 (-17.8)	135200 (39620)	129800 (38040)	124400 (36460)	119000 (34880)	113400 (33230)	108000 (31650)						
KMD240M8-A Compressor Model 3DF3R15ME	30 (-1.1)	300600 (88100)	287200 (84170)	274000 (80300)	260800 (76430)	247600 (72560)	234600 (68750)					
	25 (-3.9)	275000 (80590)	262800 (77020)	250800 (73500)	239000 (70040)	227200 (66590)	215400 (63130)					
	20 (-6.7)	250600 (73440)	239800 (70280)	229000 (67110)	218200 (63950)	207600 (60840)	197000 (57730)					
	15 (-9.4)	227600 (66700)	217800 (63830)	208200 (61020)	198600 (58200)	189200 (55450)	179800 (52690)					
	10 (-12.2)	206000 (60370)	197400 (57850)	188800 (55330)	180200 (52810)	171800 (50350)	163200 (47830)					
	5 (-15)	185800 (54450)	178200 (52230)	170400 (49940)	162800 (47710)	155200 (45480)	147800 (43320)					
0 (-17.8)	167000 (48940)	160200 (46950)	153400 (44960)	146600 (42960)	139800 (40970)	133000 (38980)						
KMD300M8-A Compressor Model 3DS3R17ME	30 (-1.1)	329200 (96480)	314400 (92140)	299800 (87860)	285400 (83640)	271000 (79420)	256600 (75200)					
	25 (-3.9)	301200 (88270)	288000 (84400)	274800 (80540)	261800 (76730)	248800 (72920)	235800 (69110)					
	20 (-6.7)	274800 (80540)	263000 (77080)	251000 (73560)	239400 (70160)	227600 (66700)	216000 (63300)					
	15 (-9.4)	249800 (73210)	239200 (70100)	228600 (67000)	218000 (63890)	207600 (60840)	197200 (57790)					
	10 (-12.2)	226400 (66350)	216800 (63540)	207400 (60780)	198000 (58030)	188600 (55270)	179200 (52520)					
	5 (-15)	204400 (59900)	195800 (57380)	187400 (54920)	179000 (52460)	170600 (50000)	162400 (47590)					
0 (-17.8)	183800 (53870)	176200 (51640)	168600 (49410)	161200 (47240)	153800 (45070)	146400 (42910)						
KMD400M8-A Compressor Model 4DANR18ME	30 (-1.1)	349200 (102340)	331400 (97120)	313600 (91910)	295800 (86690)	278400 (81590)	261400 (76610)					
	25 (-3.9)	320200 (93840)	303800 (89030)	287200 (84170)	270800 (79360)	254600 (74620)	238800 (69990)					
	20 (-6.7)	292200 (85640)	277000 (81180)	261800 (76730)	246600 (72270)	231600 (67880)	217000 (63600)					
	15 (-9.4)	265400 (77780)	251400 (73680)	237200 (69520)	223200 (65410)	209400 (61370)	196200 (57500)					
	10 (-12.2)	239800 (70280)	226800 (66470)	214000 (62720)	201000 (58910)	188400 (55210)	176200 (51640)					
	5 (-15)	215600 (63190)	203800 (59730)	191800 (56210)	180200 (52810)	168600 (49410)	157600 (46190)					
0 (-17.8)	192800 (56500)	182200 (53400)	171200 (50170)	160600 (47070)	150000 (43960)	140000 (41030)						

CAPACITY DATA - R404A R507
LOW TEMPERATURE

MODEL KMD	SATURATED SUCTION TEMPERATURE		CAPACITY BTU/H (WATTS) R404A R507 AMBIENT TEMPERATURE °F (°C)									
	° F	° C	85 (29.4)	90 (32.2)	95 (35.0)	100 (37.8)	105 (40.6)	110 (43.3)				
KMD150L6-A Compressor Model 3DB3F33KE	0	(-17.8)	126400 (37040)	121000 (35460)	115600 (33880)	110400 (32350)	105200 (30830)	100000 (29310)				
	-5	(-20.6)	113800 (33350)	109000 (31940)	104200 (30540)	99600 (29190)	95000 (27840)	90400 (26490)				
	-10	(-23.3)	101800 (29830)	97600 (28600)	93600 (27430)	89400 (26200)	85200 (24970)	81200 (23800)				
	-15	(-26.1)	90800 (26610)	87200 (25560)	83400 (24440)	79800 (23390)	76200 (22330)	72400 (21220)				
	-20	(-28.9)	80600 (23620)	77400 (22680)	74000 (21690)	70800 (20750)	67600 (19810)	64200 (18820)				
	-25	(-31.7)	71200 (20870)	68200 (19990)	65400 (19170)	62400 (18290)	59400 (17410)	56400 (16530)				
	-30	(-34.4)	62400 (18290)	59800 (17530)	57200 (16760)	54400 (15940)	51800 (15180)	48800 (14300)				
	-35	(-37.2)	54400 (15940)	52000 (15240)	49600 (14540)	47000 (13770)	44400 (13010)	41800 (12250)				
-40	(-40.0)	47000 (13770)	44800 (13130)	42400 (12430)	40000 (11720)	37400 (10960)	34800 (10200)					
KMD180L6-A Compressor Model 3DF3F40KE	0	(-17.8)	150800 (44190)	144400 (42320)	138200 (40500)	132000 (38690)	125800 (36870)	119600 (35050)				
	-5	(-20.6)	136000 (39860)	130400 (38220)	124800 (36580)	119200 (34930)	113600 (33290)	108000 (31650)				
	-10	(-23.3)	122000 (35750)	117000 (34290)	112000 (32820)	107200 (31420)	102200 (29950)	97000 (28430)				
	-15	(-26.1)	109000 (31940)	104400 (30600)	100000 (29310)	95600 (28020)	91200 (26730)	86600 (25380)				
	-20	(-28.9)	96600 (28310)	92800 (27200)	88800 (26020)	84800 (24850)	80800 (23680)	76800 (22510)				
	-25	(-31.7)	85200 (24970)	81800 (23970)	78200 (22920)	74600 (21860)	71000 (20810)	67400 (19750)				
	-30	(-34.4)	74800 (21920)	71600 (20980)	68400 (20050)	65200 (19110)	62000 (18170)	58600 (17170)				
	-35	(-37.2)	65200 (19110)	62200 (18230)	59400 (17410)	56400 (16530)	53400 (15650)	50400 (14770)				
-40	(-40.0)	56200 (16470)	53600 (15710)	51000 (14950)	48200 (14130)	45400 (13310)	42600 (12480)					
KMD200L6-A Compressor Model 3DS3F46KE	0	(-17.8)	170600 (50000)	163400 (47890)	156200 (45780)	149000 (43670)	142000 (41620)	134800 (39510)				
	-5	(-20.6)	154400 (45250)	148000 (43370)	141600 (41500)	135000 (39560)	128600 (37690)	122200 (35810)				
	-10	(-23.3)	139200 (40800)	133400 (39100)	127600 (37400)	121600 (35640)	115800 (33940)	110200 (32300)				
	-15	(-26.1)	124600 (36520)	119400 (34990)	114200 (33470)	109000 (31940)	103600 (30360)	98400 (28840)				
	-20	(-28.9)	110800 (32470)	106200 (31120)	101600 (29780)	96800 (28370)	92000 (26960)	87400 (25610)				
	-25	(-31.7)	98000 (28720)	94000 (27550)	89600 (26260)	85400 (25030)	81000 (23740)	76800 (22510)				
	-30	(-34.4)	86000 (25200)	82400 (24150)	78600 (23040)	74600 (21860)	70800 (20750)	66800 (19580)				
	-35	(-37.2)	75000 (21980)	71800 (21040)	68200 (19990)	64600 (18930)	61000 (17880)	57400 (16820)				
-40	(-40.0)	65000 (19050)	61800 (18110)	58600 (17170)	55400 (16240)	51800 (15180)	48400 (14180)					
KMD240L6-A Compressor Model 4DANF47KE	0	(-17.8)	184800 (54160)	177000 (51870)	169200 (49590)	161400 (47300)	153800 (45070)	146000 (42790)				
	-5	(-20.6)	165600 (48530)	158600 (46480)	151800 (44490)	145000 (42500)	138200 (40500)	131200 (38450)				
	-10	(-23.3)	148200 (43430)	142000 (41620)	135800 (39800)	129800 (38040)	123800 (36280)	117400 (34410)				
	-15	(-26.1)	132000 (38690)	126600 (37100)	121200 (35520)	115800 (33940)	110400 (32350)	104800 (30710)				
	-20	(-28.9)	117600 (34470)	112600 (33000)	107800 (31590)	103000 (30190)	97800 (28660)	92600 (27140)				
	-25	(-31.7)	104000 (30480)	99600 (29190)	95200 (27900)	90600 (26550)	86000 (25200)	81000 (23740)				
	-30	(-34.4)	91400 (26790)	87200 (25560)	83200 (24380)	78800 (23090)	74400 (21800)	69600 (20400)				
	-35	(-37.2)	79400 (23270)	75400 (22100)	71400 (20930)	67200 (19690)	62800 (18400)	58000 (17000)				
-40	(-40.0)	67800 (19870)	63800 (18700)	59800 (17530)	55600 (16290)	51000 (14950)	46200 (13540)					
KMD260L6-A Compressor Model 4DBNF54KE	0	(-17.8)	200600 (58790)	192000 (56270)	183600 (53810)	175200 (51350)	166800 (48880)	158200 (46360)				
	-5	(-20.6)	180000 (52750)	172400 (50530)	165000 (48360)	157400 (46130)	150000 (43960)	142400 (41730)				
	-10	(-23.3)	161200 (47240)	154400 (45250)	147800 (43320)	141200 (41380)	134400 (39390)	127600 (37400)				
	-15	(-26.1)	144000 (42200)	138000 (40440)	132000 (38690)	126200 (36990)	120200 (35230)	113800 (33350)				
	-20	(-28.9)	128200 (37570)	122800 (35990)	117600 (34470)	112200 (32880)	106600 (31240)	100800 (29540)				
	-25	(-31.7)	113400 (33230)	108600 (31830)	103800 (30420)	98800 (28960)	93600 (27430)	88200 (25850)				
	-30	(-34.4)	99800 (29250)	95200 (27900)	90600 (26550)	86000 (25200)	81000 (23740)	75800 (22210)				
	-35	(-37.2)	86600 (25380)	82400 (24150)	78000 (22860)	73400 (21510)	68400 (20050)	63200 (18520)				
-40	(-40.0)	74000 (21690)	69600 (20400)	65200 (19110)	60600 (17760)	55600 (16290)	50200 (14710)					
KMD300L6-A Compressor Model 4DHNF63KE	0	(-17.8)	230200 (67460)	220800 (64710)	211600 (62010)	202600 (59380)	193200 (56620)	183400 (53750)				
	-5	(-20.6)	208200 (61020)	199600 (58500)	191400 (56090)	183000 (53630)	174600 (51170)	165600 (48530)				
	-10	(-23.3)	187800 (55040)	180200 (52810)	172600 (50580)	165200 (48420)	157400 (46130)	149400 (43780)				
	-15	(-26.1)	169000 (49530)	162200 (47540)	155400 (45540)	148600 (43550)	141600 (41500)	134200 (39330)				
	-20	(-28.9)	151600 (44430)	145400 (42610)	139200 (40800)	133200 (39040)	127000 (37220)	120200 (35230)				
	-25	(-31.7)	135000 (39560)	129400 (37920)	124000 (36340)	118600 (34760)	113000 (33120)	106800 (31300)				
	-30	(-34.4)	119200 (34930)	114200 (33470)	109400 (32060)	104600 (30660)	99400 (29130)	93800 (27490)				
	-35	(-37.2)	103800 (30420)	99400 (29130)	95200 (27900)	90800 (26610)	86000 (25200)	80800 (23680)				
-40	(-40.0)	88600 (25970)	84600 (24790)	80800 (23680)	76800 (22510)	72600 (21280)	67600 (19810)					
KMD440L6-A Compressor Model 4DJNF76KE	0	(-17.8)	273600 (80180)	260800 (76430)	248600 (72860)	237000 (69460)	225600 (66120)	214800 (62950)				
	-5	(-20.6)	249200 (73030)	237600 (69630)	226400 (66350)	215600 (63190)	205200 (60140)	195200 (57210)				
	-10	(-23.3)	226000 (66230)	215400 (63130)	205200 (60140)	195400 (57270)	185800 (54450)	176400 (51700)				
	-15	(-26.1)	203800 (59730)	194200 (56910)	185000 (54220)	175800 (51520)	167000 (48940)	158200 (46360)				
	-20	(-28.9)	182600 (53510)	174000 (50990)	165600 (48530)	157200 (46070)	149000 (43670)	140800 (41260)				
	-25	(-31.7)	162400 (47590)	154600 (45310)	147000 (43080)	139200 (40800)	131600 (38570)	123800 (36280)				
	-30	(-34.4)	143000 (41910)	136000 (39860)	129000 (37810)	121800 (35700)	114600 (33590)	107000 (31360)				
	-35	(-37.2)	124200 (36400)	118000 (34580)	111400 (32650)	104800 (30710)	97800 (28660)	90600 (26550)				
-40	(-40.0)	106200 (31120)	100400 (29420)	94400 (27670)	88000 (25790)	81400 (23860)	74400 (21800)					

MODEL KMS	SATURATED SUCTION TEMPERATURE F° (C°)	CAPACITY BTU/H (WATTS) R407A AMBIENT TEMPERATURE °F (°C)							
		85 (29.4)	90 (32.2)	95 (35.0)	100 (37.8)	105 (40.6)	110 (43.3)		
KMS060H8-B Comp. Model 4EES-6	45 (7.2)	93600 (27430)	90000 (26380)	86300 (25290)	82700 (24240)	79100 (23180)	75500 (22130)		
	40 (4.4)	85300 (25000)	81900 (24000)	78400 (22980)	75100 (22010)	71800 (21040)	68500 (20080)		
	35 (1.7)	77400 (22680)	74200 (21750)	71100 (20840)	67900 (19900)	64900 (19020)	61800 (18110)		
KMS075H8-B Comp. Model 4DES-7	45 (7.2)	108700 (31860)	104500 (30630)	100300 (29390)	96100 (28160)	92000 (26960)	87800 (25730)		
	40 (4.4)	99200 (29070)	95200 (27900)	91400 (26790)	87500 (25640)	83600 (24500)	79800 (23390)		
	35 (1.7)	90200 (26430)	86600 (25380)	83000 (24320)	79400 (23270)	75800 (22210)	72200 (21160)		
KMS090H8-B Comp. Model 4CES-9	45 (7.2)	133800 (39210)	128700 (37720)	123600 (36220)	118500 (34730)	113500 (33260)	108500 (31800)		
	40 (4.4)	122200 (35810)	117500 (34440)	112800 (33060)	108000 (31650)	103300 (30270)	98700 (28930)		
	35 (1.7)	111200 (32590)	106800 (31300)	102500 (30040)	98100 (28750)	93800 (27490)	89500 (26230)		
KMS100H8-B Comp. Model 4VES-10	45 (7.2)	145200 (42550)	139500 (40880)	133800 (39210)	128000 (37510)	122300 (35840)	116600 (34170)		
	40 (4.4)	132100 (38710)	126800 (37160)	121500 (35610)	116200 (34050)	110900 (32500)	105600 (30950)		
	35 (1.7)	119800 (35110)	114900 (33670)	110000 (32240)	105100 (30800)	100200 (29370)	95300 (27930)		
KMS120H8-B Comp. Model 4TES-12	45 (7.2)	176000 (51580)	169200 (49590)	162400 (47590)	155600 (45600)	148900 (43640)	142100 (41650)		
	40 (4.4)	160200 (46950)	154000 (45130)	147700 (43290)	141500 (41470)	135200 (39620)	128900 (37780)		
	35 (1.7)	145500 (42640)	139800 (40970)	134000 (39270)	128200 (37570)	122400 (35870)	116700 (34200)		
KMS150H8-B Comp. Model 4PES-15	45 (7.2)	198900 (58290)	191000 (55980)	183100 (53660)	175100 (51320)	167300 (49030)	159400 (46720)		
	40 (4.4)	181100 (53070)	173900 (50960)	166500 (48800)	159200 (46660)	151800 (44490)	144500 (42350)		
	35 (1.7)	164400 (48180)	157600 (46190)	150900 (44220)	144200 (42260)	137300 (40240)	130600 (38270)		
KMS200H8-B Comp. Model 4NES-20	45 (7.2)	226200 (66290)	217400 (63710)	208400 (61080)	199500 (58470)	190600 (55860)	181700 (53250)		
	40 (4.4)	206700 (60580)	198500 (58170)	190200 (55740)	181900 (53310)	173700 (50910)	165400 (48470)		
	35 (1.7)	188300 (55190)	180600 (52930)	172900 (50670)	165300 (48440)	157600 (46190)	149900 (43930)		

NOTES: - Above ratings are based on mean temperature. - To convert to dew point ratings, use 0.95 multiplier.

MODEL KMS	SATURATED SUCTION TEMPERATURE		CAPACITY BTU/H (WATTS) R407A AMBIENT TEMPERATURE °F (°C)							
	°F	°C	85 (29.4)	90 (32.2)	95 (35.0)	100 (37.8)	105 (40.6)	110 (43.3)		
KMS060M8-B Compressor Model 4EES-6	30 (-1.1)	69900 (20490)	67000 (19640)	64200 (18820)	61300 (17970)	58500 (17140)	55700 (16320)			
	25 (-3.9)	63000 (18460)	60400 (17700)	57600 (16880)	55000 (16120)	52400 (15360)	49900 (14620)			
	20 (-6.7)	56500 (16560)	54100 (15860)	51700 (15150)	49200 (14420)	46800 (13720)	44500 (13040)			
	15 (-9.4)	50500 (14800)	48300 (14160)	46100 (13510)	43900 (12870)	41700 (12220)	39600 (11610)			
	10 (-12.2)	44900 (13160)	42900 (12570)	41000 (12020)	39000 (11430)	37000 (10840)	35000 (10260)			
	5 (-15)	39800 (11660)	37900 (11110)	36100 (10580)	34300 (10050)	32600 (9550)	30800 (9030)			
	0 (-17.8)	35100 (10290)	33400 (9790)	31800 (9320)	30100 (8820)	28600 (8380)	27000 (7910)			
KMS075M8-B Compressor Model 4DES-7	30 (-1.1)	81700 (23940)	78400 (22980)	75100 (22010)	71700 (21010)	68500 (20080)	65100 (19080)			
	25 (-3.9)	73800 (21630)	70700 (20720)	67600 (19810)	64600 (18930)	61500 (18020)	58500 (17140)			
	20 (-6.7)	66400 (19460)	63500 (18610)	60700 (17790)	58000 (17000)	55100 (16150)	52400 (15360)			
	15 (-9.4)	59400 (17410)	56800 (16650)	54300 (15910)	51800 (15180)	49200 (14420)	46700 (13690)			
	10 (-12.2)	52900 (15500)	50600 (14830)	48300 (14160)	46000 (13480)	43700 (12810)	41500 (12160)			
	5 (-15)	47000 (13770)	44900 (13160)	42800 (12540)	40700 (11930)	38600 (11310)	36600 (10730)			
	0 (-17.8)	41500 (12160)	39600 (11610)	37700 (11050)	35800 (10490)	34000 (9960)	32100 (9410)			
KMS090M8-B Compressor Model 4CES-9	30 (-1.1)	100800 (29540)	96800 (28370)	92800 (27200)	88800 (26020)	84800 (24850)	80900 (23710)			
	25 (-3.9)	91100 (26700)	87500 (25640)	83800 (24560)	80100 (23470)	76400 (22390)	72800 (21340)			
	20 (-6.7)	82000 (24030)	78600 (23040)	75300 (22070)	71900 (21070)	68600 (20100)	65300 (19140)			
	15 (-9.4)	73500 (21540)	70500 (20660)	67400 (19750)	64400 (18870)	61300 (17970)	58400 (17120)			
	10 (-12.2)	65700 (19250)	62900 (18430)	60200 (17640)	57400 (16820)	54600 (16000)	51900 (15210)			
	5 (-15)	58400 (17120)	55900 (16380)	53400 (15650)	50900 (14920)	48400 (14180)	46000 (13480)			
	0 (-17.8)	51700 (15150)	49500 (14510)	47100 (13800)	44900 (13160)	42700 (12510)	40500 (11870)			
KMS100M8-B Compressor Model 4VES-10	30 (-1.1)	108300 (31740)	103700 (30390)	99200 (29070)	94700 (27750)	90200 (26430)	85800 (25150)			
	25 (-3.9)	97300 (28520)	93200 (27310)	89100 (26110)	85100 (24940)	81000 (23740)	76900 (22540)			
	20 (-6.7)	87300 (25590)	83600 (24500)	79800 (23390)	76000 (22270)	72200 (21160)	68600 (20100)			
	15 (-9.4)	77900 (22830)	74400 (21800)	71100 (20840)	67600 (19810)	64300 (18840)	60900 (17850)			
	10 (-12.2)	69200 (20280)	66200 (19400)	63000 (18460)	60000 (17580)	56800 (16650)	53800 (15770)			
	5 (-15)	61200 (17940)	58400 (17120)	55500 (16270)	52800 (15470)	50000 (14650)	47300 (13860)			
	0 (-17.8)	53800 (15770)	51200 (15010)	48700 (14270)	46200 (13540)	43700 (12810)	41200 (12070)			
KMS120M8-B Compressor Model 4TES-12	30 (-1.1)	131700 (38600)	126300 (37010)	121100 (35490)	115800 (33940)	110500 (32380)	105200 (30830)			
	25 (-3.9)	118700 (34790)	113800 (33350)	109000 (31940)	104200 (30540)	99300 (29100)	94500 (27700)			
	20 (-6.7)	106600 (31240)	102200 (29950)	97900 (28690)	93500 (27400)	89000 (26080)	84600 (24790)			
	15 (-9.4)	95300 (27930)	91400 (26790)	87400 (25610)	83400 (24440)	79400 (23270)	75400 (22100)			
	10 (-12.2)	84900 (24880)	81400 (23860)	77700 (22770)	74100 (21720)	70600 (20690)	66900 (19610)			
	5 (-15)	75300 (22070)	72000 (21100)	68900 (20190)	65600 (19230)	62400 (18290)	59100 (17320)			
	0 (-17.8)	66500 (19490)	63500 (18610)	60600 (17760)	57600 (16880)	54700 (16030)	51900 (15210)			
KMS150M8-B Compressor Model 4PES-15	30 (-1.1)	148700 (43580)	142500 (41760)	136200 (39920)	130000 (38100)	123800 (36280)	117600 (34470)			
	25 (-3.9)	134000 (39270)	128200 (37570)	122500 (35900)	116900 (34260)	111100 (32560)	105400 (30890)			
	20 (-6.7)	120200 (35230)	115000 (33700)	109700 (32150)	104600 (30660)	99300 (29100)	94200 (27610)			
	15 (-9.4)	107300 (31450)	102600 (30070)	97900 (28690)	93100 (27280)	88400 (25910)	83700 (24530)			
	10 (-12.2)	95400 (27960)	91100 (26700)	86800 (25440)	82500 (24180)	78200 (22920)	74000 (21690)			
	5 (-15)	84400 (24740)	80500 (23590)	76700 (22480)	72800 (21340)	68900 (20190)	65000 (19050)			
	0 (-17.8)	74200 (21750)	70800 (20750)	67200 (19690)	63700 (18670)	60300 (17670)	56700 (16620)			
KMS200M8-B Compressor Model 4NES-20	30 (-1.1)	170700 (50030)	163700 (47980)	156700 (45920)	149500 (43810)	142500 (41760)	135500 (39710)			
	25 (-3.9)	154200 (45190)	147700 (43290)	141300 (41410)	134800 (39510)	128400 (37630)	121900 (35730)			
	20 (-6.7)	138800 (40680)	132900 (38950)	127100 (37250)	121100 (35490)	115200 (33760)	109300 (32030)			
	15 (-9.4)	124400 (36460)	119000 (34880)	113600 (33290)	108300 (31740)	102900 (30160)	97500 (28570)			
	10 (-12.2)	111000 (32530)	106100 (31090)	101200 (29660)	96400 (28250)	91500 (26820)	86600 (25380)			
	5 (-15)	98500 (28870)	94100 (27580)	89700 (26290)	85300 (25000)	80900 (23710)	76500 (22420)			
	0 (-17.8)	86900 (25470)	83000 (24320)	79000 (23150)	75100 (22010)	71100 (20840)	67100 (19660)			

NOTES: - Above ratings are based on mean temperature. - To convert to dew point ratings, use 0.95 multiplier.

MODEL KMS	SATURATED SUCTION TEMPERATURE		CAPACITY BTU/H (WATTS) R407A AMBIENT TEMPERATURE °F (°C)						
	°F	°C	85 (29.4)	90 (32.2)	95 (35.0)	100 (37.8)	105 (40.6)	110 (43.3)	
KMS080L8-B Compressor Model 4TES-9	0 (-17.8)	60700 (17790)	57900 (16970)	55000 (16120)	52200 (15300)	49500 (14510)	46700 (13690)		
	-5 (-20.6)	53400 (15650)	50900 (14920)	48400 (14180)	45900 (13450)	43400 (12720)	40800 (11960)		
	-10 (-23.3)	46800 (13720)	44500 (13040)	42200 (12370)	39900 (11690)	37700 (11050)	35500 (10400)		
	-15 (-26.1)	40600 (11900)	38500 (11280)	36400 (10670)	34400 (10080)	32400 (9500)	30500 (8940)		
	-20 (-28.9)	34900 (10230)	33000 (9670)	31200 (9140)	29400 (8620)	27600 (8090)	25800 (7560)		
	-25 (-31.7)	29600 (8670)	27900 (8180)	26300 (7710)	24700 (7240)	23100 (6770)	21500 (6300)		
	-30 (-34.4)	24700 (7240)	23200 (6800)	21700 (6360)	20300 (5950)	18900 (5540)	17400 (5100)		
	-35 (-37.2)	20200 (5920)	18800 (5510)	17500 (5130)	16200 (4750)	14900 (4370)	13700 (4020)		
	-40 (-40.0)	16000 (4690)	14700 (4310)	13500 (3960)	12400 (3630)	11200 (3280)	10100 (2960)		
KMS100L8-B Compressor Model 4PES-12	0 (-17.8)	67100 (19660)	63700 (18670)	60400 (17700)	57000 (16700)	53800 (15770)	50500 (14800)		
	-5 (-20.6)	58900 (17260)	55900 (16380)	52800 (15470)	49900 (14620)	46900 (13740)	44000 (12900)		
	-10 (-23.3)	51300 (15030)	48600 (14240)	45900 (13450)	43200 (12660)	40500 (11870)	37800 (11080)		
	-15 (-26.1)	44300 (12980)	41800 (12250)	39400 (11550)	37000 (10840)	34500 (10110)	32100 (9410)		
	-20 (-28.9)	37800 (11080)	35600 (10430)	33400 (9790)	31200 (9140)	29000 (8500)	26900 (7880)		
	-25 (-31.7)	31700 (9290)	29700 (8700)	27800 (8150)	25800 (7560)	23900 (7000)	22100 (6480)		
	-30 (-34.4)	26100 (7650)	24400 (7150)	22600 (6620)	20900 (6130)	19100 (5600)	17400 (5100)		
	-35 (-37.2)	21000 (6150)	19400 (5690)	17900 (5250)	16300 (4780)	14700 (4310)	13200 (3870)		
	-40 (-40.0)	16200 (4750)	14800 (4340)	13300 (3900)	11900 (3490)	10500 (3080)	9140 (2680)		
KMS120L8-B Compressor Model 4NES-14	0 (-17.8)	81300 (23830)	77400 (22680)	73500 (21540)	69700 (20430)	65900 (19310)	62200 (18230)		
	-5 (-20.6)	71600 (20980)	68000 (19930)	64600 (18930)	61100 (17910)	57800 (16940)	54400 (15940)		
	-10 (-23.3)	62600 (18350)	59400 (17410)	56300 (16500)	53200 (15590)	50100 (14680)	47000 (13770)		
	-15 (-26.1)	54200 (15880)	51300 (15030)	48600 (14240)	45800 (13420)	43100 (12630)	40300 (11810)		
	-20 (-28.9)	46500 (13630)	44000 (12900)	41500 (12160)	39000 (11430)	36500 (10700)	34100 (9990)		
	-25 (-31.7)	39400 (11550)	37100 (10870)	34900 (10230)	32700 (9580)	30500 (8940)	28400 (8320)		
	-30 (-34.4)	32800 (9610)	30800 (9030)	28700 (8410)	26800 (7850)	24800 (7270)	22900 (6710)		
	-35 (-37.2)	26700 (7820)	24800 (7270)	23000 (6740)	21200 (6210)	19500 (5710)	17900 (5250)		
	-40 (-40.0)	21000 (6150)	19300 (5660)	17700 (5190)	16100 (4720)	14600 (4280)	13000 (3810)		
KMS130L6-B Compressor Model 4JE-15	0 (-17.8)	94300 (27640)	89800 (26320)	85400 (25030)	81100 (23770)	76700 (22480)	72500 (21250)		
	-5 (-20.6)	82800 (24270)	78800 (23090)	74800 (21920)	70800 (20750)	66900 (19610)	63000 (18460)		
	-10 (-23.3)	72100 (21130)	68500 (20080)	64800 (18990)	61200 (17940)	57800 (16940)	54300 (15910)		
	-15 (-26.1)	62200 (18230)	58800 (17230)	55700 (16320)	52400 (15360)	49200 (14420)	46200 (13540)		
	-20 (-28.9)	52800 (15470)	49900 (14620)	47000 (13770)	44200 (12950)	41400 (12130)	38600 (11310)		
	-25 (-31.7)	44200 (12950)	41600 (12190)	39100 (11460)	36500 (10700)	34000 (9960)	31600 (9260)		
	-30 (-34.4)	36100 (10580)	33800 (9910)	31600 (9260)	29300 (8590)	27100 (7940)	25000 (7330)		
	-35 (-37.2)	28600 (8380)	26600 (7800)	24600 (7210)	22600 (6620)	20600 (6040)	18700 (5480)		
	-40 (-40.0)	21500 (6300)	19700 (5770)	18000 (5280)	16200 (4750)	14500 (4250)	12800 (3750)		
KMS150L8-B Compressor Model 4HE-18	0 (-17.8)	109300 (32030)	104400 (30600)	99300 (29100)	94500 (27700)	89700 (26290)	84800 (24850)		
	-5 (-20.6)	96500 (28280)	91900 (26930)	87500 (25640)	83000 (24320)	78600 (23040)	74300 (21780)		
	-10 (-23.3)	84400 (24740)	80300 (23530)	76200 (22330)	72200 (21160)	68400 (20050)	64500 (18900)		
	-15 (-26.1)	73100 (21420)	69500 (20370)	65800 (19280)	62300 (18260)	58800 (17230)	55300 (16210)		
	-20 (-28.9)	62600 (18350)	59300 (17380)	56100 (16440)	52900 (15500)	49800 (14590)	46700 (13690)		
	-25 (-31.7)	52700 (15440)	49900 (14620)	47000 (13770)	44200 (12950)	41400 (12130)	38700 (11340)		
	-30 (-34.4)	43600 (12780)	41000 (12020)	38400 (11250)	35900 (10520)	33500 (9820)	31100 (9110)		
	-35 (-37.2)	34900 (10230)	32700 (9580)	30300 (8880)	28100 (8240)	26000 (7620)	23900 (7000)		
	-40 (-40.0)	26700 (7820)	24700 (7240)	22700 (6650)	20800 (6100)	18900 (5540)	17000 (4980)		
KMS200L8-B Compressor Model 4GE-23	0 (-17.8)	128700 (37720)	123200 (36110)	117600 (34470)	112100 (32850)	106800 (31300)	101400 (29720)		
	-5 (-20.6)	114000 (33410)	109000 (31940)	104100 (30510)	99100 (29040)	94200 (27610)	89500 (26230)		
	-10 (-23.3)	100300 (29390)	95800 (28080)	91200 (26730)	86800 (25440)	82500 (24180)	78200 (22920)		
	-15 (-26.1)	87400 (25610)	83400 (24440)	79400 (23270)	75400 (22100)	71500 (20950)	67700 (19840)		
	-20 (-28.9)	75300 (22070)	71700 (21010)	68100 (19960)	64700 (18960)	61200 (17940)	57900 (16970)		
	-25 (-31.7)	64100 (18790)	60900 (17850)	57800 (16940)	54600 (16000)	51600 (15120)	48600 (14240)		
	-30 (-34.4)	53400 (15650)	50600 (14830)	47900 (14040)	45200 (13250)	42400 (12430)	39800 (11660)		
	-35 (-37.2)	43500 (12750)	41000 (12020)	38500 (11280)	36100 (10580)	33800 (9910)	31500 (9230)		
	-40 (-40.0)	34000 (9960)	31800 (9320)	29700 (8700)	27600 (8090)	25500 (7470)	23500 (6890)		

NOTES: - Above ratings are based on mean temperature. - To convert to dew point ratings, use 0.95 multiplier.

CAPACITY DATA - R448A R449A
HIGH TEMPERATURE

MODEL KMS	SATURATED SUCTION TEMPERATURE F° (C°)	CAPACITY BTU/H (WATTS) R448A R449A AMBIENT TEMPERATURE °F (°C)									
		85 (29.4)	90 (32.2)	95 (35.0)	100 (37.8)	105 (40.6)	110 (43.3)				
KMS060H8-B Comp. Model 4EES-6	45 (7.2)	96600 (28310)	92900 (27230)	89300 (26170)	85600 (25090)	81900 (24000)	---				
	40 (4.4)	88100 (25820)	84700 (24820)	81400 (23860)	77900 (22830)	74600 (21860)	71200 (20870)				
	35 (1.7)	80100 (23470)	77000 (22570)	73900 (21660)	70800 (20750)	67600 (19810)	64500 (18900)				
KMS075H8-B Comp. Model 4DES-7	45 (7.2)	111100 (32560)	106800 (31300)	102600 (30070)	98400 (28840)	---					
	40 (4.4)	101500 (29750)	97500 (28570)	93600 (27430)	89700 (26290)	85700 (25120)	---				
	35 (1.7)	92400 (27080)	88800 (26020)	85200 (24970)	81500 (23890)	77800 (22800)	74100 (21720)				
KMS090H8-B Comp. Model 4CES-9	45 (7.2)	136600 (40030)	131500 (38540)	126300 (37010)	121200 (35520)	---					
	40 (4.4)	125000 (36630)	120100 (35200)	115400 (33820)	110600 (32410)	105800 (31010)	---				
	35 (1.7)	113900 (33380)	109400 (32060)	105000 (30770)	100600 (29480)	96200 (28190)	91800 (26900)				
KMS100H8-B Comp. Model 4VES-10	45 (7.2)	150300 (44050)	144300 (42290)	138400 (40560)	132400 (38800)	126500 (37070)	---				
	40 (4.4)	136700 (40060)	131100 (38420)	125700 (36840)	120200 (35230)	114800 (33640)	109300 (32030)				
	35 (1.7)	124000 (36340)	118900 (34850)	113800 (33350)	108700 (31860)	103600 (30360)	98700 (28930)				
KMS120H8-B Comp. Model 4TES-12	45 (7.2)	180900 (53020)	173900 (50960)	166800 (48880)	159800 (46830)	152900 (44810)	---				
	40 (4.4)	164700 (48270)	158200 (46360)	151700 (44460)	145200 (42550)	138800 (40680)	132300 (38770)				
	35 (1.7)	149500 (43810)	143500 (42060)	137600 (40330)	131600 (38570)	125600 (36810)	119600 (35050)				
KMS150H8-B Comp. Model 4PES-15	45 (7.2)	204300 (59870)	196100 (57470)	187800 (55040)	179700 (52660)	171500 (50260)	---				
	40 (4.4)	186100 (54540)	178400 (52280)	170700 (50030)	163200 (47830)	155500 (45570)	147900 (43350)				
	35 (1.7)	168700 (49440)	161700 (47390)	154600 (45310)	147500 (43230)	140600 (41210)	133600 (39150)				
KMS200H8-B Comp. Model 4NES-20	45 (7.2)	233800 (68520)	224700 (65850)	215500 (63160)	206300 (60460)	---					
	40 (4.4)	213800 (62660)	205200 (60140)	196700 (57650)	188200 (55160)	179700 (52660)	---				
	35 (1.7)	194700 (57060)	186800 (54750)	178900 (52430)	171000 (50110)	163200 (47830)	155300 (45510)				

NOTES: - Above ratings are based on mean temperature. - To convert to dew point ratings, use 0.95 multiplier. - For R449A, use R448A data.

MODEL KMS	SATURATED SUCTION TEMPERATURE		CAPACITY BTU/H (WATTS) R448A R449A AMBIENT TEMPERATURE °F (°C)									
	° F	° C	85 (29.4)	90 (32.2)	95 (35.0)	100 (37.8)	105 (40.6)	110 (43.3)				
KMS060M8-B Compressor Model 4EES-6	30 (-1.1)	72700 (21310)	69800 (20460)	66900 (19610)	63900 (18730)	61100 (17910)	58200 (17060)					
	25 (-3.9)	65600 (19230)	63000 (18460)	60400 (17700)	57600 (16880)	55000 (16120)	52400 (15360)					
	20 (-6.7)	59100 (17320)	56700 (16620)	54300 (15910)	51800 (15180)	49400 (14480)	46900 (13740)					
	15 (-9.4)	53000 (15530)	50800 (14890)	48600 (14240)	46400 (13600)	44200 (12950)	42000 (12310)					
	10 (-12.2)	47400 (13890)	45400 (13310)	43400 (12720)	41400 (12130)	39400 (11550)	37400 (10960)					
	5 (-15)	42100 (12340)	40300 (11810)	38500 (11280)	36600 (10730)	34900 (10230)	33100 (9700)					
0 (-17.8)	37300 (10930)	35700 (10460)	34000 (9960)	32400 (9500)	30800 (9030)	29200 (8560)						
KMS075M8-B Compressor Model 4DES-7	30 (-1.1)	83900 (24590)	80500 (23590)	77200 (22630)	73800 (21630)	70400 (20630)	67000 (19640)					
	25 (-3.9)	75900 (22240)	72800 (21340)	69600 (20400)	66600 (19520)	63400 (18580)	60400 (17700)					
	20 (-6.7)	68400 (20050)	65500 (19200)	62700 (18380)	59900 (17550)	57000 (16700)	54200 (15880)					
	15 (-9.4)	61300 (17970)	58800 (17230)	56200 (16470)	53600 (15710)	51000 (14950)	48400 (14180)					
	10 (-12.2)	54800 (16060)	52500 (15390)	50100 (14680)	47800 (14010)	45500 (13330)	43100 (12630)					
	5 (-15)	48800 (14300)	46700 (13690)	44500 (13040)	42400 (12430)	40300 (11810)	38200 (11200)					
0 (-17.8)	43300 (12690)	41300 (12100)	39400 (11550)	37500 (10990)	35600 (10430)	33700 (9880)						
KMS090M8-B Compressor Model 4CES-9	30 (-1.1)	103400 (30300)	99300 (29100)	95200 (27900)	91200 (26730)	87200 (25560)	83100 (24350)					
	25 (-3.9)	93700 (27460)	89900 (26350)	86100 (25230)	82400 (24150)	78600 (23040)	75000 (21980)					
	20 (-6.7)	84400 (24740)	81100 (23770)	77600 (22740)	74200 (21750)	70800 (20750)	67400 (19750)					
	15 (-9.4)	75900 (22240)	72800 (21340)	69600 (20400)	66600 (19520)	63400 (18580)	60400 (17700)					
	10 (-12.2)	67900 (19900)	65100 (19080)	62300 (18260)	59400 (17410)	56700 (16620)	53900 (15800)					
	5 (-15)	60600 (17760)	58100 (17030)	55400 (16240)	52900 (15500)	50400 (14770)	47900 (14040)					
0 (-17.8)	53800 (15770)	51500 (15090)	49100 (14390)	46900 (13740)	44600 (13070)	42300 (12400)						
KMS100M8-B Compressor Model 4VES-10	30 (-1.1)	112000 (32820)	107300 (31450)	102700 (30100)	98000 (28720)	93300 (27340)	88700 (26000)					
	25 (-3.9)	100800 (29540)	96500 (28280)	92300 (27050)	88000 (25790)	83800 (24560)	79600 (23330)					
	20 (-6.7)	90400 (26490)	86500 (25350)	82600 (24210)	78800 (23090)	74900 (21950)	71000 (20810)					
	15 (-9.4)	80700 (23650)	77200 (22630)	73700 (21600)	70100 (20540)	66700 (19550)	63100 (18490)					
	10 (-12.2)	71800 (21040)	68600 (20100)	65400 (19170)	62300 (18260)	59000 (17290)	55900 (16380)					
	5 (-15)	63500 (18610)	60700 (17790)	57800 (16940)	54900 (16090)	52100 (15270)	49200 (14420)					
0 (-17.8)	56000 (16410)	53300 (15620)	50800 (14890)	48200 (14130)	45700 (13390)	43100 (12630)						
KMS120M8-B Compressor Model 4TES-12	30 (-1.1)	135200 (39620)	129700 (38010)	124200 (36400)	118800 (34820)	113200 (33180)	107700 (31560)					
	25 (-3.9)	121900 (35730)	116800 (34230)	111800 (32770)	106800 (31300)	101700 (29810)	96800 (28370)					
	20 (-6.7)	109400 (32060)	104800 (30710)	100300 (29390)	95700 (28050)	91100 (26700)	86600 (25380)					
	15 (-9.4)	97900 (28690)	93700 (27460)	89600 (26260)	85400 (25030)	81300 (23830)	77200 (22630)					
	10 (-12.2)	87200 (25560)	83500 (24470)	79700 (23360)	75900 (22240)	72200 (21160)	68500 (20080)					
	5 (-15)	77400 (22680)	73900 (21660)	70600 (20690)	67200 (19690)	63800 (18700)	60500 (17730)					
0 (-17.8)	68300 (20020)	65200 (19110)	62200 (18230)	59200 (17350)	56200 (16470)	53200 (15590)						
KMS150M8-B Compressor Model 4PES-15	30 (-1.1)	152500 (44690)	146000 (42790)	139400 (40850)	133000 (38980)	126500 (37070)	120100 (35200)					
	25 (-3.9)	137300 (40240)	131400 (38510)	125400 (36750)	119400 (34990)	113500 (33260)	107600 (31530)					
	20 (-6.7)	123100 (36080)	117600 (34470)	112200 (32880)	106800 (31300)	101400 (29720)	96000 (28130)					
	15 (-9.4)	109900 (32210)	105000 (30770)	100000 (29310)	95100 (27870)	90200 (26430)	85300 (25000)					
	10 (-12.2)	97800 (28660)	93200 (27310)	88700 (26000)	84300 (24710)	79800 (23390)	75400 (22100)					
	5 (-15)	86400 (25320)	82400 (24150)	78300 (22950)	74300 (21780)	70400 (20630)	66400 (19460)					
0 (-17.8)	76100 (22300)	72500 (21250)	68800 (20160)	65200 (19110)	61500 (18020)	58000 (17000)						
KMS200M8-B Compressor Model 4NES-20	30 (-1.1)	176600 (51760)	169400 (49650)	162100 (47510)	154900 (45400)	147600 (43260)	140400 (41150)					
	25 (-3.9)	159700 (46800)	153000 (44840)	146400 (42910)	139700 (40940)	133000 (38980)	126400 (37040)					
	20 (-6.7)	143700 (42110)	137700 (40360)	131600 (38570)	125600 (36810)	119500 (35020)	113500 (33260)					
	15 (-9.4)	128900 (37780)	123400 (36160)	117900 (34550)	112400 (32940)	106900 (31330)	101400 (29720)					
	10 (-12.2)	115200 (33760)	110100 (32270)	105100 (30800)	100200 (29370)	95200 (27900)	90300 (26460)					
	5 (-15)	102400 (30010)	97900 (28690)	93300 (27340)	88900 (26050)	84400 (24740)	80000 (23450)					
0 (-17.8)	90600 (26550)	86500 (25350)	82500 (24180)	78500 (23010)	74600 (21860)	70600 (20690)						

NOTES: - Above ratings are based on mean temperature. - To convert to dew point ratings, use 0.95 multiplier. - For R449A, use R448A data.

MODEL KMS	SATURATED SUCTION TEMPERATURE		CAPACITY BTU/H (WATTS) R448A R449A AMBIENT TEMPERATURE °F (°C)									
	°F	°C	85 (29.4)	90 (32.2)	95 (35.0)	100 (37.8)	105 (40.6)	110 (43.3)				
KMS080L8-B Compressor Model 4TES-9	0 (-17.8)	62400 (18290)	59500 (17440)	56600 (16590)	53700 (15740)	50800 (14890)	48000 (14070)					
	-5 (-20.6)	55100 (16150)	52500 (15390)	49900 (14620)	47300 (13860)	44600 (13070)	42100 (12340)					
	-10 (-23.3)	48400 (14180)	46000 (13480)	43700 (12810)	41300 (12100)	39000 (11430)	36600 (10730)					
	-15 (-26.1)	42100 (12340)	40000 (11720)	37900 (11110)	35800 (10490)	33700 (9880)	31700 (9290)					
	-20 (-28.9)	36400 (10670)	34500 (10110)	32700 (9580)	30800 (9030)	28900 (8470)	27100 (7940)					
	-25 (-31.7)	31200 (9140)	29500 (8650)	27800 (8150)	26100 (7650)	24500 (7180)	22800 (6680)					
	-30 (-34.4)	26400 (7740)	24900 (7300)	23300 (6830)	21800 (6390)	20400 (5980)	18900 (5540)					
	-35 (-37.2)	21900 (6420)	20600 (6040)	19300 (5660)	18000 (5280)	16600 (4860)	15300 (4480)					
-40 (-40.0)	18000 (5280)	16700 (4890)	15500 (4540)	14400 (4220)	13100 (3840)	12000 (3520)						
KMS100L8-B Compressor Model 4PES-12	0 (-17.8)	69000 (20220)	65500 (19200)	62100 (18200)	58600 (17170)	55100 (16150)	51800 (15180)					
	-5 (-20.6)	60800 (17820)	57600 (16880)	54500 (15970)	51300 (15030)	48300 (14160)	45200 (13250)					
	-10 (-23.3)	53100 (15560)	50300 (14740)	47500 (13920)	44600 (13070)	41900 (12280)	39100 (11460)					
	-15 (-26.1)	46100 (13510)	43600 (12780)	41000 (12020)	38400 (11250)	36000 (10550)	33500 (9820)					
	-20 (-28.9)	39600 (11610)	37400 (10960)	35100 (10290)	32800 (9610)	30600 (8970)	28400 (8320)					
	-25 (-31.7)	33700 (9880)	31600 (9260)	29600 (8670)	27600 (8090)	25600 (7500)	23600 (6920)					
	-30 (-34.4)	28200 (8260)	26500 (7770)	24600 (7210)	22800 (6680)	21000 (6150)	19300 (5660)					
	-35 (-37.2)	23300 (6830)	21600 (6330)	20100 (5890)	18400 (5390)	16800 (4920)	15200 (4450)					
-40 (-40.0)	18800 (5510)	17200 (5040)	15800 (4630)	14400 (4220)	12900 (3780)	11600 (3400)						
KMS120L8-B Compressor Model 4NES-14	0 (-17.8)	84300 (24710)	80300 (23530)	76200 (22330)	72100 (21130)	68100 (19960)	64100 (18790)					
	-5 (-20.6)	74600 (21860)	70900 (20780)	67200 (19690)	63600 (18640)	60000 (17580)	56300 (16500)					
	-10 (-23.3)	65400 (19170)	62200 (18230)	58900 (17260)	55700 (16320)	52300 (15330)	49000 (14360)					
	-15 (-26.1)	57000 (16700)	54100 (15860)	51200 (15010)	48300 (14160)	45400 (13310)	42400 (12430)					
	-20 (-28.9)	49400 (14480)	46700 (13690)	44100 (12920)	41500 (12160)	38900 (11400)	36200 (10610)					
	-25 (-31.7)	42300 (12400)	39900 (11690)	37600 (11020)	35300 (10350)	33000 (9670)	30600 (8970)					
	-30 (-34.4)	35800 (10490)	33700 (9880)	31600 (9260)	29500 (8650)	27400 (8030)	25400 (7440)					
	-35 (-37.2)	29900 (8760)	28000 (8210)	26100 (7650)	24300 (7120)	22400 (6560)	20600 (6040)					
-40 (-40.0)	24500 (7180)	22800 (6680)	21100 (6180)	19400 (5690)	17700 (5190)	16100 (4720)						
KMS130L6-B Compressor Model 4JE-15	0 (-17.8)	102000 (29890)	97400 (28550)	93000 (27260)	88500 (25940)	84000 (24620)	79600 (23330)					
	-5 (-20.6)	90300 (26460)	86200 (25260)	82100 (24060)	78100 (22890)	74000 (21690)	70000 (20510)					
	-10 (-23.3)	79500 (23300)	75800 (22210)	72100 (21130)	68500 (20080)	64800 (18990)	61100 (17910)					
	-15 (-26.1)	69400 (20340)	66200 (19400)	62800 (18400)	59500 (17440)	56200 (16470)	52900 (15500)					
	-20 (-28.9)	60200 (17640)	57100 (16730)	54200 (15880)	51200 (15010)	48200 (14130)	45300 (13280)					
	-25 (-31.7)	51700 (15150)	48900 (14330)	46200 (13540)	43600 (12780)	40800 (11960)	38200 (11200)					
	-30 (-34.4)	43800 (12840)	41300 (12100)	38900 (11400)	36400 (10670)	34000 (9960)	31700 (9290)					
	-35 (-37.2)	36400 (10670)	34300 (10050)	32100 (9410)	29900 (8760)	27700 (8120)	25600 (7500)					
-40 (-40.0)	29800 (8730)	27800 (8150)	25800 (7560)	23800 (6980)	21800 (6390)	19800 (5800)						
KMS150L8-B Compressor Model 4HE-18	0 (-17.8)	117200 (34350)	112000 (32820)	107000 (31360)	102000 (29890)	96800 (28370)	91800 (26900)					
	-5 (-20.6)	104200 (30540)	99600 (29190)	95000 (27840)	90400 (26490)	85900 (25170)	81300 (23830)					
	-10 (-23.3)	92100 (26990)	88000 (25790)	83800 (24560)	79700 (23360)	75600 (22160)	71500 (20950)					
	-15 (-26.1)	80900 (23710)	77200 (22630)	73400 (21510)	69700 (20430)	66000 (19340)	62400 (18290)					
	-20 (-28.9)	70400 (20630)	67100 (19660)	63700 (18670)	60500 (17730)	57100 (16730)	53900 (15800)					
	-25 (-31.7)	60700 (17790)	57800 (16940)	54800 (16060)	51900 (15210)	48900 (14330)	46000 (13480)					
	-30 (-34.4)	51800 (15180)	49100 (14390)	46400 (13600)	43800 (12840)	41200 (12070)	38500 (11280)					
	-35 (-37.2)	43500 (12750)	41100 (12050)	38700 (11340)	36300 (10640)	34000 (9960)	31700 (9290)					
-40 (-40.0)	35800 (10490)	33600 (9850)	31500 (9230)	29400 (8620)	27300 (8000)	25200 (7390)						
KMS200L8-B Compressor Model 4GE-23	0 (-17.8)	136200 (39920)	130400 (38220)	124700 (36550)	119000 (34880)	113200 (33180)	107400 (31480)					
	-5 (-20.6)	121500 (35610)	116300 (34080)	111200 (32590)	105900 (31040)	100800 (29540)	95700 (28050)					
	-10 (-23.3)	107700 (31560)	103100 (30220)	98500 (28870)	93900 (27520)	89300 (26170)	84600 (24790)					
	-15 (-26.1)	94900 (27810)	90800 (26610)	86700 (25410)	82500 (24180)	78400 (22980)	74400 (21800)					
	-20 (-28.9)	83000 (24320)	79400 (23270)	75700 (22190)	72000 (21100)	68500 (20080)	64800 (18990)					
	-25 (-31.7)	71900 (21070)	68700 (20130)	65400 (19170)	62300 (18260)	59000 (17290)	55900 (16380)					
	-30 (-34.4)	61600 (18050)	58800 (17230)	56000 (16410)	53100 (15560)	50300 (14740)	47500 (13920)					
	-35 (-37.2)	52200 (15300)	49600 (14540)	47000 (13770)	44500 (13040)	42100 (12340)	39600 (11610)					
-40 (-40.0)	43400 (12720)	41100 (12050)	38700 (11340)	36500 (10700)	34300 (10050)	32200 (9440)						

NOTES: - Above ratings are based on mean temperature. - To convert to dew point ratings, use 0.95 multiplier. - For R449A, use R448A data.

MODEL KMS	SATURATED SUCTION TEMPERATURE F° (C°)	CAPACITY BTU/H (WATTS) R407C AMBIENT TEMPERATURE °F (°C)							
		85 (29.4)	90 (32.2)	95 (35.0)	100 (37.8)	105 (40.6)	110 (43.3)		
KMS060H8-B Compressor Model 4EES-6	55 (12.8)	109100 (31970)	104800 (30710)	100500 (29450)	96200 (28190)	91900 (26930)	87600 (25670)		
	50 (10)	99900 (29280)	95900 (28110)	91900 (26930)	88000 (25790)	84000 (24620)	80000 (23450)		
	45 (7.2)	91000 (26670)	87500 (25640)	83800 (24560)	80100 (23470)	76500 (22420)	72900 (21360)		
	40 (4.4)	82700 (24240)	79500 (23300)	76100 (22300)	72800 (21340)	69500 (20370)	66200 (19400)		
	35 (-17.8)	75000 (21980)	71900 (21070)	68900 (20190)	65800 (19280)	62900 (18430)	59900 (17550)		
KMS075H8-B Compressor Model 4DES-7	55 (12.8)	126000 (36930)	121100 (35490)	116100 (34030)	111200 (32590)	106300 (31150)	101300 (29690)		
	50 (10)	115700 (33910)	111100 (32560)	106600 (31240)	102000 (29890)	97400 (28550)	92800 (27200)		
	45 (7.2)	105800 (31010)	101600 (29780)	97400 (28550)	93200 (27310)	89000 (26080)	84800 (24850)		
	40 (4.4)	96500 (28280)	92600 (27140)	88700 (26000)	84900 (24880)	81100 (23770)	77200 (22630)		
	35 (-17.8)	87600 (25670)	84000 (24620)	80500 (23590)	77100 (22600)	73500 (21540)	70000 (20510)		
KMS090H8-B Compressor Model 4CES-9	55 (12.8)	155000 (45430)	149000 (43670)	143000 (41910)	137000 (40150)	131000 (38390)	125100 (36660)		
	50 (10)	142400 (41730)	136800 (40090)	131400 (38510)	125800 (36870)	120200 (35230)	114800 (33640)		
	45 (7.2)	130300 (38190)	125200 (36690)	120100 (35200)	115100 (33730)	109900 (32210)	104900 (30740)		
	40 (4.4)	118800 (34820)	114100 (33440)	109500 (32090)	104900 (30740)	100200 (29370)	95600 (28020)		
	35 (-17.8)	107900 (31620)	103600 (30360)	99400 (29130)	95200 (27900)	91000 (26670)	86800 (25440)		
KMS100H8-B Compressor Model 4VES-10	55 (12.8)	170300 (49910)	163900 (48030)	157600 (46190)	151200 (44310)	144700 (42410)	138300 (40530)		
	50 (10)	155700 (45630)	149800 (43900)	144000 (42200)	138000 (40440)	132000 (38690)	126000 (36930)		
	45 (7.2)	142000 (41620)	136500 (40000)	131000 (38390)	125600 (36810)	120000 (35170)	114500 (33560)		
	40 (4.4)	128900 (37780)	123900 (36310)	119000 (34880)	113800 (33350)	108800 (31890)	103700 (30390)		
	35 (-17.8)	116800 (34230)	112100 (32850)	107600 (31530)	102900 (30160)	98300 (28810)	93700 (27460)		
KMS120H8-B Compressor Model 4TES-12	55 (12.8)	204800 (60020)	197200 (57790)	189600 (55570)	182000 (53340)	174400 (51110)	166700 (48850)		
	50 (10)	187200 (54860)	180300 (52840)	173300 (50790)	166200 (48710)	159200 (46660)	152000 (44550)		
	45 (7.2)	170700 (50030)	164300 (48150)	157900 (46280)	151400 (44370)	144800 (42440)	138300 (40530)		
	40 (4.4)	155300 (45510)	149300 (43760)	143400 (42030)	137400 (40270)	131500 (38540)	125400 (36750)		
	35 (-17.8)	140700 (41230)	135300 (39650)	129900 (38070)	124400 (36460)	118900 (34850)	113400 (33230)		
KMS150H8-B Compressor Model 4PES-15	55 (12.8)	231600 (67880)	222800 (65300)	214000 (62720)	205200 (60140)	196200 (57500)	187300 (54890)		
	50 (10)	212000 (62130)	203900 (59760)	195600 (57320)	187400 (54920)	179100 (52490)	170800 (50060)		
	45 (7.2)	193400 (56680)	185900 (54480)	178300 (52250)	170600 (50000)	163000 (47770)	155300 (45510)		
	40 (4.4)	175900 (51550)	168900 (49500)	161900 (47450)	154900 (45400)	147800 (43320)	140700 (41230)		
	35 (-17.8)	159400 (46720)	153000 (44840)	146500 (42930)	140100 (41060)	133600 (39150)	127100 (37250)		
KMS200H8-B Compressor Model 4NES-20	55 (12.8)	262500 (76930)	252600 (74030)	242700 (71130)	232700 (68200)	222700 (65270)	212600 (62310)		
	50 (10)	241100 (70660)	231900 (67960)	222600 (65240)	213400 (62540)	204000 (59790)	194600 (57030)		
	45 (7.2)	220700 (64680)	212100 (62160)	203500 (59640)	194900 (57120)	186200 (54570)	177600 (52050)		
	40 (4.4)	201300 (58990)	193300 (56650)	185400 (54340)	177500 (52020)	169400 (49650)	161400 (47300)		
	35 (-17.8)	182900 (53600)	175600 (51460)	168300 (49320)	161000 (47180)	153600 (45020)	146300 (42880)		

NOTES: - Above ratings are based on mean temperature. - To convert to dew point ratings, use 0.95 multiplier.

MODEL KMS	SATURATED SUCTION TEMPERATURE		CAPACITY BTU/H (WATTS) R407C AMBIENT TEMPERATURE °F (°C)							
	° F	° C	85 (29.4)	90 (32.2)	95 (35.0)	100 (37.8)	105 (40.6)	110 (43.3)		
KMS060M8-B Compressor Model 4EES-6	30 (-1.1)		67600 (19810)	64900 (19020)	62200 (18230)	59400 (17410)	56700 (16620)	54000 (15830)		
	25 (-3.9)		60800 (17820)	58300 (17090)	55900 (16380)	53300 (15620)	50900 (14920)	48400 (14180)		
	20 (-6.7)		54400 (15940)	52200 (15300)	50000 (14650)	47700 (13980)	45500 (13330)	43300 (12690)		
	15 (-9.4)		48500 (14210)	46500 (13630)	44400 (13010)	42400 (12430)	40400 (11840)	38400 (11250)		
	10 (-12.2)		42900 (12570)	41200 (12070)	39400 (11550)	37600 (11020)	35800 (10490)	34000 (9960)		
KMS075M8-B Compressor Model 4DES-7	30 (-1.1)		79200 (23210)	76000 (22270)	72800 (21340)	69600 (20400)	66500 (19490)	63300 (18550)		
	25 (-3.9)		71300 (20900)	68500 (20080)	65500 (19200)	62700 (18380)	59900 (17550)	56900 (16680)		
	20 (-6.7)		63900 (18730)	61400 (17990)	58800 (17230)	56200 (16470)	53700 (15740)	51000 (14950)		
	15 (-9.4)		57100 (16730)	54800 (16060)	52500 (15390)	50200 (14710)	47900 (14040)	45500 (13330)		
	10 (-12.2)		50800 (14890)	48700 (14270)	46600 (13660)	44500 (13040)	42400 (12430)	40300 (11810)		
KMS090M8-B Compressor Model 4CES-9	30 (-1.1)		97700 (28630)	93900 (27520)	90000 (26380)	86200 (25260)	82300 (24120)	78500 (23010)		
	25 (-3.9)		88100 (25820)	84600 (24790)	81200 (23800)	77700 (22770)	74200 (21750)	70800 (20750)		
	20 (-6.7)		79100 (23180)	76000 (22270)	72900 (21360)	69800 (20460)	66700 (19550)	63500 (18610)		
	15 (-9.4)		70700 (20720)	67900 (19900)	65200 (19110)	62400 (18290)	59600 (17470)	56800 (16650)		
	10 (-12.2)		63000 (18460)	60500 (17730)	58000 (17000)	55500 (16270)	53000 (15530)	50500 (14800)		
KMS100M8-B Compressor Model 4VES-10	30 (-1.1)		105400 (30890)	101200 (29660)	97000 (28430)	92700 (27170)	88500 (25940)	84200 (24680)		
	25 (-3.9)		94700 (27750)	90900 (26640)	87200 (25560)	83300 (24410)	79400 (23270)	75500 (22130)		
	20 (-6.7)		84800 (24850)	81400 (23860)	77900 (22830)	74400 (21800)	70900 (20780)	67400 (19750)		
	15 (-9.4)		75700 (22190)	72600 (21280)	69400 (20340)	66300 (19430)	63000 (18460)	59900 (17550)		
	10 (-12.2)		67200 (19690)	64400 (18870)	61500 (18020)	58600 (17170)	55800 (16350)	52900 (15500)		
KMS120M8-B Compressor Model 4TES-12	30 (-1.1)		127100 (37250)	122100 (35780)	117200 (34350)	112100 (32850)	107200 (31420)	102200 (29950)		
	25 (-3.9)		114300 (33500)	109900 (32210)	105400 (30890)	100800 (29540)	96300 (28220)	91700 (26870)		
	20 (-6.7)		102600 (30070)	98500 (28870)	94400 (27670)	90300 (26460)	86100 (25230)	82000 (24030)		
	15 (-9.4)		91600 (26850)	87900 (25760)	84200 (24680)	80500 (23590)	76800 (22510)	73000 (21390)		
	10 (-12.2)		81400 (23860)	78100 (22890)	74800 (21920)	71400 (20930)	68000 (19930)	64700 (18960)		
KMS150M8-B Compressor Model 4PES-15	30 (-1.1)		143900 (42170)	138000 (40440)	132100 (38710)	126200 (36990)	120200 (35230)	114300 (33500)		
	25 (-3.9)		129400 (37920)	124000 (36340)	118700 (34790)	113300 (33200)	107800 (31590)	102500 (30040)		
	20 (-6.7)		115900 (33970)	111100 (32560)	106200 (31120)	101200 (29660)	96400 (28250)	91500 (26820)		
	15 (-9.4)		103300 (30270)	98900 (28980)	94500 (27700)	90100 (26410)	85700 (25120)	81200 (23800)		
	10 (-12.2)		91700 (26870)	87700 (25700)	83700 (24530)	79700 (23360)	75700 (22190)	71600 (20980)		
KMS200M8-B Compressor Model 4NES-20	30 (-1.1)		165600 (48530)	158900 (46570)	152300 (44630)	145500 (42640)	138800 (40680)	132000 (38690)		
	25 (-3.9)		149300 (43760)	143200 (41970)	137100 (40180)	131000 (38390)	124800 (36580)	118800 (34820)		
	20 (-6.7)		134100 (39300)	128600 (37690)	123100 (36080)	117500 (34440)	111900 (32790)	106400 (31180)		
	15 (-9.4)		119900 (35140)	115000 (33700)	109900 (32210)	104900 (30740)	99900 (29280)	94800 (27780)		
	10 (-12.2)		106800 (31300)	102300 (29980)	97800 (28660)	93100 (27280)	88600 (25970)	84000 (24620)		

NOTES: - Above ratings are based on mean temperature. - To convert to dew point ratings, use 0.95 multiplier.

MODEL KMS	SATURATED SUCTION TEMPERATURE		CAPACITY BTU/H (WATTS) R404A R507						AMBIENT TEMPERATURE °F (°C)	
	F°	(C°)	85 (29.4)	90 (32.2)	95 (35.0)	100 (37.8)	105 (40.6)	110 (43.3)		
KMS060H8-B Comp. Model 4EES-6	45 (7.2)		93600 (27430)	89200 (26140)	84900 (24880)	80600 (23620)	76300 (22360)	72000 (21100)		
	40 (4.4)		86300 (25290)	82300 (24120)	78300 (22950)	74300 (21780)	70300 (20600)	66300 (19430)		
	35 (1.7)		79400 (23270)	75700 (22190)	71900 (21070)	68200 (19990)	64600 (18930)	60900 (17850)		
KMS075H8-B Comp. Model 4DES-7	45 (7.2)		107800 (31590)	102800 (30130)	97700 (28630)	92700 (27170)	87700 (25700)	82700 (24240)		
	40 (4.4)		99600 (29190)	94900 (27810)	90300 (26460)	85600 (25090)	81000 (23740)	76400 (22390)		
	35 (1.7)		91700 (26870)	87400 (25610)	83100 (24350)	78800 (23090)	74500 (21830)	70200 (20570)		
KMS090H8-B Comp. Model 4CES-9	45 (7.2)		130400 (38220)	124400 (36460)	118500 (34730)	112600 (33000)	106700 (31270)	100800 (29540)		
	40 (4.4)		120600 (35340)	115100 (33730)	109600 (32120)	104200 (30540)	98700 (28930)	93200 (27310)		
	35 (1.7)		111100 (32560)	106100 (31090)	101000 (29600)	96000 (28130)	90900 (26640)	85900 (25170)		
KMS100H8-B Comp. Model 4VES-10	45 (7.2)		146300 (42880)	139500 (40880)	132900 (38950)	126200 (36990)	119700 (35080)	113200 (33180)		
	40 (4.4)		134800 (39510)	128500 (37660)	122300 (35840)	116100 (34030)	110000 (32240)	104000 (30480)		
	35 (1.7)		123800 (36280)	118000 (34580)	112200 (32880)	106500 (31210)	100800 (29540)	95200 (27900)		
KMS120H8-B Comp. Model 4TES-12	45 (7.2)		176000 (51580)	167800 (49180)	159600 (46770)	151300 (44340)	143100 (41940)	134900 (39540)		
	40 (4.4)		162300 (47570)	154700 (45340)	147100 (43110)	139500 (40880)	131900 (38660)	124200 (36400)		
	35 (1.7)		149100 (43700)	142100 (41650)	135100 (39590)	128100 (37540)	121100 (35490)	114000 (33410)		
KMS150H8-B Comp. Model 4PES-15	45 (7.2)		205200 (60140)	195600 (57320)	186000 (54510)	176300 (51670)	166600 (48830)	156800 (45950)		
	40 (4.4)		189500 (55540)	180700 (52960)	171800 (50350)	162800 (47710)	153800 (45070)	144700 (42410)		
	35 (1.7)		174500 (51140)	166300 (48740)	158100 (46330)	149800 (43900)	141400 (41440)	133000 (38980)		
KMS200H8-B Comp. Model 4NES-20	45 (7.2)		229500 (67260)	219000 (64180)	208600 (61130)	198100 (58060)	187500 (54950)	176900 (51840)		
	40 (4.4)		212100 (62160)	202400 (59320)	192700 (56470)	182900 (53600)	173100 (50730)	163200 (47830)		
	35 (1.7)		195500 (57300)	186500 (54660)	177400 (51990)	168300 (49320)	159200 (46660)	150000 (43960)		

MODEL KMS	SATURATED SUCTION TEMPERATURE		CAPACITY BTU/H (WATTS) R404A R507 AMBIENT TEMPERATURE °F (°C)									
	°F	°C	85 (29.4)	90 (32.2)	95 (35.0)	100 (37.8)	105 (40.6)	110 (43.3)				
KMS060M8-B Compressor Model 4EES-6	30	(-1.1)	72600 (21280)	69200 (20280)	65800 (19280)	62400 (18290)	58900 (17260)	55400 (16240)				
	25	(-3.9)	66300 (19430)	63200 (18520)	60100 (17610)	56900 (16680)	53700 (15740)	50500 (14800)				
	20	(-6.7)	60300 (17670)	57500 (16850)	54600 (16000)	51800 (15180)	48900 (14330)	46000 (13480)				
	15	(-9.4)	54700 (16030)	52100 (15270)	49500 (14510)	46900 (13740)	44300 (12980)	41700 (12220)				
	10	(-12.2)	49400 (14480)	47000 (13770)	44700 (13100)	42400 (12430)	40000 (11720)	37600 (11020)				
	5	(-15)	44400 (13010)	42300 (12400)	40200 (11780)	38100 (11170)	36000 (10550)	33800 (9910)				
	0	(-17.8)	39700 (11630)	37900 (11110)	36000 (10550)	34100 (9990)	32200 (9440)	30300 (8880)				
KMS075M8-B Compressor Model 4DES-7	30	(-1.1)	85000 (24910)	81100 (23770)	77200 (22630)	73300 (21480)	69400 (20340)	65400 (19170)				
	25	(-3.9)	77800 (22800)	74300 (21780)	70700 (20720)	67100 (19660)	63400 (18580)	59800 (17530)				
	20	(-6.7)	71000 (20810)	67700 (19840)	64400 (18870)	61100 (17910)	57800 (16940)	54500 (15970)				
	15	(-9.4)	64500 (18900)	61500 (18020)	58600 (17170)	55600 (16290)	52500 (15390)	49500 (14510)				
	10	(-12.2)	58400 (17120)	55700 (16320)	53000 (15530)	50300 (14740)	47600 (13950)	44800 (13130)				
	5	(-15)	52600 (15420)	50200 (14710)	47800 (14010)	45400 (13310)	42900 (12570)	40400 (11840)				
	0	(-17.8)	47300 (13860)	45100 (13220)	42900 (12570)	40700 (11930)	38500 (11280)	36300 (10640)				
KMS090M8-B Compressor Model 4CES-9	30	(-1.1)	103700 (30390)	99100 (29040)	94400 (27670)	89800 (26320)	85100 (24940)	80400 (23560)				
	25	(-3.9)	94800 (27780)	90500 (26520)	86200 (25260)	82000 (24030)	77700 (22770)	73300 (21480)				
	20	(-6.7)	86300 (25290)	82400 (24150)	78500 (23010)	74600 (21860)	70600 (20690)	66700 (19550)				
	15	(-9.4)	78400 (22980)	74800 (21920)	71200 (20870)	67600 (19810)	64000 (18760)	60400 (17700)				
	10	(-12.2)	70900 (20780)	67600 (19810)	64400 (18870)	61100 (17910)	57800 (16940)	54500 (15970)				
	5	(-15)	63800 (18700)	60900 (17850)	57900 (16970)	55000 (16120)	52000 (15240)	49000 (14360)				
	0	(-17.8)	57200 (16760)	54600 (16000)	51900 (15210)	49300 (14450)	46600 (13660)	43900 (12870)				
KMS100M8-B Compressor Model 4VES-10	30	(-1.1)	113500 (33260)	108200 (31710)	102900 (30160)	97600 (28600)	92300 (27050)	87000 (25500)				
	25	(-3.9)	103200 (30240)	98300 (28810)	93400 (27370)	88600 (25970)	83700 (24530)	78900 (23120)				
	20	(-6.7)	93500 (27400)	89000 (26080)	84600 (24790)	80100 (23470)	75700 (22190)	71200 (20870)				
	15	(-9.4)	84400 (24740)	80300 (23530)	76300 (22360)	72200 (21160)	68100 (19960)	64100 (18790)				
	10	(-12.2)	75900 (22240)	72200 (21160)	68500 (20080)	64800 (18990)	61100 (17910)	57400 (16820)				
	5	(-15)	67900 (19900)	64500 (18900)	61200 (17940)	57800 (16940)	54500 (15970)	51200 (15010)				
	0	(-17.8)	60400 (17700)	57400 (16820)	54400 (15940)	51400 (15060)	48400 (14180)	45400 (13310)				
KMS120M8-B Compressor Model 4TES-12	30	(-1.1)	136700 (40060)	130400 (38220)	124200 (36400)	117900 (34550)	111600 (32710)	105300 (30860)				
	25	(-3.9)	124500 (36490)	118700 (34790)	112900 (33090)	107200 (31420)	101400 (29720)	95600 (28020)				
	20	(-6.7)	112900 (33090)	107600 (31530)	102300 (29980)	97100 (28460)	91800 (26900)	86500 (25350)				
	15	(-9.4)	102100 (29920)	97200 (28490)	92400 (27080)	87600 (25670)	82800 (24270)	78000 (22860)				
	10	(-12.2)	91900 (26930)	87500 (25640)	83100 (24350)	78700 (23060)	74400 (21800)	70000 (20510)				
	5	(-15)	82300 (24120)	78400 (22980)	74400 (21800)	70500 (20660)	66500 (19490)	62600 (18350)				
	0	(-17.8)	73400 (21510)	69900 (20490)	66300 (19430)	62800 (18400)	59200 (17350)	55700 (16320)				
KMS150M8-B Compressor Model 4PES-15	30	(-1.1)	154300 (45220)	146900 (43050)	139600 (40910)	132300 (38770)	125000 (36630)	117700 (34490)				
	25	(-3.9)	140400 (41150)	133600 (39150)	126900 (37190)	120200 (35230)	113400 (33230)	106700 (31270)				
	20	(-6.7)	127300 (37310)	121100 (35490)	114900 (33670)	108700 (31860)	102500 (30040)	96400 (28250)				
	15	(-9.4)	114900 (33670)	109300 (32030)	103600 (30360)	97900 (28690)	92300 (27050)	86700 (25410)				
	10	(-12.2)	103300 (30270)	98100 (28750)	93000 (27260)	87900 (25760)	82700 (24240)	77600 (22740)				
	5	(-15)	92400 (27080)	87700 (25700)	83100 (24350)	78400 (22980)	73800 (21630)	69200 (20280)				
	0	(-17.8)	82300 (24120)	78100 (22890)	73800 (21630)	69700 (20430)	65500 (19200)	61300 (17970)				
KMS200M8-B Compressor Model 4NES-20	30	(-1.1)	177200 (51930)	168900 (49500)	160600 (47070)	152300 (44630)	144000 (42200)	135800 (39800)				
	25	(-3.9)	161900 (47450)	154200 (45190)	146600 (42960)	139000 (40740)	131400 (38510)	123700 (36250)				
	20	(-6.7)	147300 (43170)	140300 (41120)	133300 (39070)	126400 (37040)	119400 (34990)	112400 (32940)				
	15	(-9.4)	133600 (39150)	127200 (37280)	120800 (35400)	114400 (33530)	108100 (31680)	101700 (29810)				
	10	(-12.2)	120700 (35370)	114800 (33640)	109000 (31940)	103200 (30240)	97400 (28550)	91700 (26870)				
	5	(-15)	108500 (31800)	103200 (30240)	98000 (28720)	92700 (27170)	87500 (25640)	82200 (24090)				
	0	(-17.8)	97100 (28460)	92300 (27050)	87600 (25670)	82900 (24300)	78200 (22920)	73500 (21540)				

MODEL KMS	SATURATED SUCTION TEMPERATURE		CAPACITY BTU/H (WATTS) R404A R507 AMBIENT TEMPERATURE °F (°C)									
	° F	° C	85 (29.4)	90 (32.2)	95 (35.0)	100 (37.8)	105 (40.6)	110 (43.3)				
KMS080L6-B Compressor Model 4TES-9	0	(-17.8)	66200 (19400)	62900 (18430)	59500 (17440)	56200 (16470)	52900 (15500)	49600 (14540)				
	-5	(-20.6)	59300 (17380)	56300 (16500)	53300 (15620)	50300 (14740)	47300 (13860)	44300 (12980)				
	-10	(-23.3)	52800 (15470)	50100 (14680)	47400 (13890)	44700 (13100)	42000 (12310)	39300 (11520)				
	-15	(-26.1)	46800 (13720)	44300 (12980)	41900 (12280)	39400 (11550)	37000 (10840)	34600 (10140)				
	-20	(-28.9)	41100 (12050)	38900 (11400)	36700 (10760)	34500 (10110)	32400 (9500)	30200 (8850)				
	-25	(-31.7)	35800 (10490)	33900 (9940)	31900 (9350)	30000 (8790)	28100 (8240)	26200 (7680)				
	-30	(-34.4)	30900 (9060)	29200 (8560)	27500 (8060)	25800 (7560)	24100 (7060)	22400 (6560)				
	-35	(-37.2)	26400 (7740)	24900 (7300)	23300 (6830)	21800 (6390)	20300 (5950)	18800 (5510)				
	-40	(-40.0)	22300 (6540)	20900 (6130)	19500 (5710)	18200 (5330)	16800 (4920)	15500 (4540)				
KMS100L6-B Compressor Model 4PES-12	0	(-17.8)	73500 (21540)	69600 (20400)	65700 (19250)	61800 (18110)	57900 (16970)	54100 (15860)				
	-5	(-20.6)	65800 (19280)	62200 (18230)	58600 (17170)	55100 (16150)	51600 (15120)	48100 (14100)				
	-10	(-23.3)	58400 (17120)	55200 (16180)	52000 (15240)	48800 (14300)	45600 (13360)	42500 (12460)				
	-15	(-26.1)	51600 (15120)	48700 (14270)	45800 (13420)	42900 (12570)	40100 (11750)	37200 (10900)				
	-20	(-28.9)	45100 (13220)	42500 (12460)	40000 (11720)	37400 (10960)	34800 (10200)	32300 (9470)				
	-25	(-31.7)	39200 (11490)	36800 (10780)	34500 (10110)	32200 (9440)	30000 (8790)	27700 (8120)				
	-30	(-34.4)	33600 (9850)	31500 (9230)	29500 (8650)	27400 (8030)	25400 (7440)	23400 (6860)				
	-35	(-37.2)	28500 (8350)	26700 (7820)	24800 (7270)	23000 (6740)	21200 (6210)	19400 (5690)				
	-40	(-40.0)	23800 (6980)	22200 (6510)	20500 (6010)	18900 (5540)	17300 (5070)	15700 (4600)				
KMS120L6-B Compressor Model 4NES-14	0	(-17.8)	89400 (26200)	84800 (24850)	80200 (23500)	75600 (22160)	71000 (20810)	66400 (19460)				
	-5	(-20.6)	80100 (23470)	76000 (22270)	71800 (21040)	67700 (19840)	63500 (18610)	59400 (17410)				
	-10	(-23.3)	71400 (20930)	67700 (19840)	63900 (18730)	60200 (17640)	56400 (16530)	52700 (15440)				
	-15	(-26.1)	63200 (18520)	59900 (17550)	56500 (16560)	53200 (15590)	49800 (14590)	46500 (13630)				
	-20	(-28.9)	55600 (16290)	52600 (15420)	49600 (14540)	46600 (13660)	43600 (12780)	40600 (11900)				
	-25	(-31.7)	48500 (14210)	45800 (13420)	43100 (12630)	40500 (11870)	37800 (11080)	35100 (10290)				
	-30	(-34.4)	41900 (12280)	39500 (11580)	37100 (10870)	34800 (10200)	32400 (9500)	30000 (8790)				
	-35	(-37.2)	35900 (10520)	33700 (9880)	31600 (9260)	29500 (8650)	27300 (8000)	25200 (7390)				
	-40	(-40.0)	30300 (8880)	28400 (8320)	26500 (7770)	24600 (7210)	22700 (6650)	20800 (6100)				
KMS130L6-B Compressor Model 4JE-15	0	(-17.8)	107800 (31590)	102700 (30100)	97500 (28570)	92300 (27050)	87100 (25530)	82000 (24030)				
	-5	(-20.6)	96800 (28370)	92100 (26990)	87400 (25610)	82700 (24240)	78000 (22860)	73300 (21480)				
	-10	(-23.3)	86400 (25320)	82100 (24060)	77900 (22830)	73700 (21600)	69400 (20340)	65200 (19110)				
	-15	(-26.1)	76600 (22450)	72800 (21340)	69000 (20220)	65200 (19110)	61300 (17970)	57500 (16850)				
	-20	(-28.9)	67500 (19780)	64000 (18760)	60600 (17760)	57200 (16760)	53800 (15770)	50400 (14770)				
	-25	(-31.7)	59000 (17290)	55900 (16380)	52800 (15470)	49800 (14590)	46700 (13690)	43700 (12810)				
	-30	(-34.4)	51100 (14980)	48300 (14160)	45600 (13360)	42800 (12540)	40100 (11750)	37400 (10960)				
	-35	(-37.2)	43700 (12810)	41200 (12070)	38800 (11370)	36300 (10640)	33900 (9940)	31500 (9230)				
	-40	(-40.0)	36900 (10810)	34700 (10170)	32500 (9520)	30300 (8880)	28100 (8240)	26000 (7620)				
KMS150L6-B Compressor Model 4HE-18	0	(-17.8)	123000 (36050)	117100 (34320)	111200 (32590)	105300 (30860)	99400 (29130)	93500 (27400)				
	-5	(-20.6)	110800 (32470)	105500 (30920)	100200 (29370)	94800 (27780)	89500 (26230)	84100 (24650)				
	-10	(-23.3)	99400 (29130)	94600 (27720)	89800 (26320)	85000 (24910)	80100 (23470)	75300 (22070)				
	-15	(-26.1)	88500 (25940)	84200 (24680)	79900 (23420)	75600 (22160)	71300 (20900)	67000 (19640)				
	-20	(-28.9)	78400 (22980)	74500 (21830)	70700 (20720)	66800 (19580)	62900 (18430)	59100 (17320)				
	-25	(-31.7)	68800 (20160)	65400 (19170)	62000 (18170)	58500 (17140)	55100 (16150)	51700 (15150)				
	-30	(-34.4)	59900 (17550)	56900 (16680)	53800 (15770)	50800 (14890)	47700 (13980)	44700 (13100)				
	-35	(-37.2)	51600 (15120)	48900 (14330)	46200 (13540)	43500 (12750)	40800 (11960)	38100 (11170)				
	-40	(-40.0)	43900 (12870)	41500 (12160)	39000 (11430)	36600 (10730)	34200 (10020)	31800 (9320)				
KMS200L6-B Compressor Model 4GE-23	0	(-17.8)	142300 (41700)	135600 (39740)	128900 (37780)	122100 (35780)	115300 (33790)	108500 (31800)				
	-5	(-20.6)	128600 (37690)	122600 (35930)	116500 (34140)	110400 (32350)	104200 (30540)	98100 (28750)				
	-10	(-23.3)	115600 (33880)	110200 (32300)	104700 (30680)	99300 (29100)	93800 (27490)	88200 (25850)				
	-15	(-26.1)	103300 (30270)	98500 (28870)	93600 (27430)	88700 (26000)	83800 (24560)	78900 (23120)				
	-20	(-28.9)	91800 (26900)	87500 (25640)	83100 (24350)	78800 (23090)	74400 (21800)	70000 (20510)				
	-25	(-31.7)	80900 (23710)	77100 (22600)	73200 (21450)	69400 (20340)	65500 (19200)	61700 (18080)				
	-30	(-34.4)	70800 (20750)	67400 (19750)	64000 (18760)	60600 (17760)	57200 (16760)	53800 (15770)				
	-35	(-37.2)	61300 (17970)	58300 (17090)	55300 (16210)	52300 (15330)	49300 (14450)	46300 (13570)				
	-40	(-40.0)	52500 (15390)	49800 (14590)	47100 (13800)	44500 (13040)	41800 (12250)	39200 (11490)				

MODEL KMD	SATURATED SUCTION TEMPERATURE		CAPACITY BTU/H (WATTS) R407A AMBIENT TEMPERATURE °F (°C)							
	F°	(C°)	85 (29.4)	90 (32.2)	95 (35.0)	100 (37.8)	105 (40.6)	110 (43.3)		
KMD120H8-B Comp. Model 4EES-6	45	(7.2)	187200 (54860)	178400 (52280)	169800 (49760)	161200 (47240)	152600 (44720)	144000 (42200)		
	40	(4.4)	172600 (50580)	164600 (48240)	156600 (45890)	148600 (43550)	140600 (41210)	132600 (38860)		
	35	(1.7)	158800 (46540)	151400 (44370)	143800 (42140)	136400 (39970)	129200 (37860)	121800 (35700)		
KMD150H8-B Comp. Model 4DES-7	45	(7.2)	215600 (63190)	205600 (60260)	195400 (57270)	185400 (54340)	175400 (51400)	165400 (48470)		
	40	(4.4)	199200 (58380)	189800 (55620)	180600 (52930)	171200 (50170)	162000 (47480)	152800 (44780)		
	35	(1.7)	183400 (53750)	174800 (51230)	166200 (48710)	157600 (46190)	149000 (43670)	140400 (41150)		
KMD180H8-B Comp. Model 4CES-9	45	(7.2)	260800 (76430)	248800 (72920)	237000 (69460)	225200 (66000)	213400 (62540)	201600 (59080)		
	40	(4.4)	241200 (70690)	230200 (67460)	219200 (64240)	208400 (61080)	197400 (57850)	186400 (54630)		
	35	(1.7)	222200 (65120)	212200 (62190)	202000 (59200)	192000 (56270)	181800 (53280)	171800 (50350)		
KMD200H8-B Comp. Model 4VES-10	45	(7.2)	292600 (85750)	279000 (81770)	265800 (77900)	252400 (73970)	239400 (70160)	226400 (66350)		
	40	(4.4)	269600 (79010)	257000 (75320)	244600 (71680)	232200 (68050)	220000 (64480)	208000 (60960)		
	35	(1.7)	247600 (72560)	236000 (69160)	224400 (65760)	213000 (62420)	201600 (59080)	190400 (55800)		
KMD240H8-B Comp. Model 4TES-12	45	(7.2)	352000 (103160)	335600 (98350)	319200 (93550)	302600 (88680)	286200 (83880)	269800 (79070)		
	40	(4.4)	324600 (95130)	309400 (90680)	294200 (86220)	279000 (81770)	263800 (77310)	248400 (72800)		
	35	(1.7)	298200 (87390)	284200 (83290)	270200 (79190)	256200 (75080)	242200 (70980)	228000 (66820)		
KMD300H8-B Comp. Model 4PES-15	45	(7.2)	410400 (120280)	391200 (114650)	372000 (109020)	352600 (103340)	333200 (97650)	313600 (91910)		
	40	(4.4)	379000 (111070)	361400 (105920)	343600 (100700)	325600 (95420)	307600 (90150)	289400 (84810)		
	35	(1.7)	349000 (102280)	332600 (97480)	316200 (92670)	299600 (87800)	282800 (82880)	266000 (77960)		
KMD400H8-B Comp. Model 4NES-20	45	(7.2)	459000 (134520)	438000 (128360)	417200 (122270)	396200 (116110)	375000 (109900)	353800 (103690)		
	40	(4.4)	424200 (124320)	404800 (118630)	385400 (112950)	365800 (107210)	346200 (101460)	326400 (95660)		
	35	(1.7)	391000 (114590)	373000 (109320)	354800 (103980)	336600 (98650)	318400 (93310)	300000 (87920)		

NOTES: - Above ratings are based on mean temperature. - To convert to dew point ratings, use 0.95 multiplier.

CAPACITY DATA - R407A
MEDIUM TEMPERATURE

MODEL KMD	SATURATED SUCTION TEMPERATURE		CAPACITY BTU/H (WATTS) R407A AMBIENT TEMPERATURE °F (°C)									
	° F	° C	85 (29.4)	90 (32.2)	95 (35.0)	100 (37.8)	105 (40.6)	110 (43.3)				
KMD120M8-B Compressor Model 4EES-6	30	(-1.1)	139800 (40970)	134000 (39270)	128400 (37630)	122600 (35930)	117000 (34290)	111400 (32650)				
	25	(-3.9)	126000 (36930)	120800 (35400)	115200 (33760)	110000 (32240)	104800 (30710)	99800 (29250)				
	20	(-6.7)	113000 (33120)	108200 (31710)	103400 (30300)	98400 (28840)	93600 (27430)	89000 (26080)				
	15	(-9.4)	101000 (29600)	96600 (28310)	92200 (27020)	87800 (25730)	83400 (24440)	79200 (23210)				
	10	(-12.2)	89800 (26320)	85800 (25150)	82000 (24030)	78000 (22860)	74000 (21690)	70000 (20510)				
	5	(-15)	79600 (23330)	75800 (22210)	72200 (21160)	68600 (20100)	65200 (19110)	61600 (18050)				
	0	(-17.8)	70200 (20570)	66800 (19580)	63600 (18640)	60200 (17640)	57200 (16760)	54000 (15830)				
KMD150M8-B Compressor Model 4DES-7	30	(-1.1)	163400 (47890)	156800 (45950)	150200 (44020)	143400 (42030)	137000 (40150)	130200 (38160)				
	25	(-3.9)	147600 (43260)	141400 (41440)	135200 (39620)	129200 (37860)	123000 (36050)	117000 (34290)				
	20	(-6.7)	132800 (38920)	127000 (37220)	121400 (35580)	116000 (34000)	110200 (32300)	104800 (30710)				
	15	(-9.4)	118800 (34820)	113600 (33290)	108600 (31830)	103600 (30360)	98400 (28840)	93400 (27370)				
	10	(-12.2)	105800 (31010)	101200 (29660)	96600 (28310)	92000 (26960)	87400 (25610)	83000 (24320)				
	5	(-15)	94000 (27550)	89800 (26320)	85600 (25090)	81400 (23860)	77200 (22630)	73200 (21450)				
	0	(-17.8)	83000 (24320)	79200 (23210)	75400 (22100)	71600 (20980)	68000 (19930)	64200 (18820)				
KMD180M8-B Compressor Model 4CES-9	30	(-1.1)	201600 (59080)	193600 (56740)	185600 (54390)	177600 (52050)	169600 (49700)	161800 (47420)				
	25	(-3.9)	182200 (53400)	175000 (51290)	167600 (49120)	160200 (46950)	152800 (44780)	145600 (42670)				
	20	(-6.7)	164000 (48060)	157200 (46070)	150600 (44140)	143800 (42140)	137200 (40210)	130600 (38270)				
	15	(-9.4)	147000 (43080)	141000 (41320)	134800 (39510)	128800 (37750)	122600 (35930)	116800 (34230)				
	10	(-12.2)	131400 (38510)	125800 (36870)	120400 (35290)	114800 (33640)	109200 (32000)	103800 (30420)				
	5	(-15)	116800 (34230)	111800 (32770)	106800 (31300)	101800 (29830)	96800 (28370)	92000 (26960)				
	0	(-17.8)	103400 (30300)	99000 (29010)	94200 (27610)	89800 (26320)	85400 (25030)	81000 (23740)				
KMD200M8-B Compressor Model 4VES-10	30	(-1.1)	216600 (63480)	207400 (60780)	198400 (58150)	189400 (55510)	180400 (52870)	171600 (50290)				
	25	(-3.9)	194600 (57030)	186400 (54630)	178200 (52230)	170200 (49880)	162000 (47480)	153800 (45070)				
	20	(-6.7)	174600 (51170)	167200 (49000)	159600 (46770)	152000 (44550)	144400 (42320)	137200 (40210)				
	15	(-9.4)	155800 (45660)	148800 (43610)	142200 (41670)	135200 (39620)	128600 (37690)	121800 (35700)				
	10	(-12.2)	138400 (40560)	132400 (38800)	126000 (36930)	120000 (35170)	113600 (33290)	107600 (31530)				
	5	(-15)	122400 (35870)	116800 (34230)	111000 (32530)	105600 (30950)	100000 (29310)	94600 (27720)				
	0	(-17.8)	107600 (31530)	102400 (30010)	97400 (28550)	92400 (27080)	87400 (25610)	82400 (24150)				
KMD240M8-B Compressor Model 4TES-12	30	(-1.1)	263400 (77190)	252600 (74030)	242200 (70980)	231600 (67880)	221000 (64770)	210400 (61660)				
	25	(-3.9)	237400 (69570)	227600 (66700)	218000 (63890)	208400 (61080)	198600 (58200)	189000 (55390)				
	20	(-6.7)	213200 (62480)	204400 (59900)	195800 (57380)	187000 (54800)	178000 (52170)	169200 (49590)				
	15	(-9.4)	190600 (55860)	182800 (53570)	174800 (51230)	166800 (48880)	158800 (46540)	150800 (44190)				
	10	(-12.2)	169800 (49760)	162800 (47710)	155400 (45540)	148200 (43430)	141200 (41380)	133800 (39210)				
	5	(-15)	150600 (44140)	144000 (42200)	137800 (40390)	131200 (38450)	124800 (36580)	118200 (34640)				
	0	(-17.8)	133000 (38980)	127000 (37220)	121200 (35520)	115200 (33760)	109400 (32060)	103800 (30420)				
KMD300M8-B Compressor Model 4PES-15	30	(-1.1)	297400 (87160)	285000 (83520)	272400 (79830)	260000 (76200)	247600 (72560)	235200 (68930)				
	25	(-3.9)	268000 (78540)	256400 (75140)	245000 (71800)	233800 (68520)	222200 (65120)	210800 (61780)				
	20	(-6.7)	240400 (70450)	230000 (67410)	219400 (64300)	209200 (61310)	198600 (58200)	188400 (55210)				
	15	(-9.4)	214600 (62890)	205200 (60140)	195800 (57380)	186200 (54570)	176800 (51810)	167400 (49060)				
	10	(-12.2)	190800 (55920)	182200 (53400)	173600 (50880)	165000 (48360)	156400 (45840)	148000 (43370)				
	5	(-15)	168800 (49470)	161000 (47180)	153400 (44960)	145600 (42670)	137800 (40390)	130000 (38100)				
	0	(-17.8)	148400 (43490)	141600 (41500)	134400 (39390)	127400 (37340)	120600 (35340)	113400 (33230)				
KMD400M8-B Compressor Model 4NES-20	30	(-1.1)	341400 (100050)	327400 (95950)	313400 (91850)	299000 (87630)	285000 (83520)	271000 (79420)				
	25	(-3.9)	308400 (90380)	295400 (86570)	282600 (82820)	269600 (79010)	256800 (75260)	243800 (71450)				
	20	(-6.7)	277600 (81360)	265800 (77900)	254200 (74500)	242200 (70980)	230400 (67520)	218600 (64070)				
	15	(-9.4)	248800 (72920)	238000 (69750)	227200 (66590)	216600 (63480)	205800 (60310)	195000 (57150)				
	10	(-12.2)	222000 (65060)	212200 (62190)	202400 (59320)	192800 (56500)	183000 (53630)	173200 (50760)				
	5	(-15)	197000 (57730)	188200 (55160)	179400 (52580)	170600 (50000)	161800 (47420)	153000 (44840)				
	0	(-17.8)	173800 (50940)	166000 (48650)	158000 (46310)	150200 (44020)	142200 (41670)	134200 (39330)				

NOTES: - Above ratings are based on mean temperature. - To convert to dew point ratings, use 0.95 multiplier.

MODEL KMD	SATURATED SUCTION TEMPERATURE		CAPACITY BTU/H (WATTS) R407A AMBIENT TEMPERATURE °F (°C)									
	° F	° C	85 (29.4)	90 (32.2)	95 (35.0)	100 (37.8)	105 (40.6)	110 (43.3)				
KMD160L8-B Compressor Model 4TES-9	0 (-17.8)		121400 (35580)	115800 (33940)	110000 (32240)	104400 (30600)	99000 (29010)	93400 (27370)				
	-5 (-20.6)		106800 (31300)	101800 (29830)	96800 (28370)	91800 (26900)	86800 (25440)	81600 (23910)				
	-10 (-23.3)		93600 (27430)	89000 (26080)	84400 (24740)	79800 (23390)	75400 (22100)	71000 (20810)				
	-15 (-26.1)		81200 (23800)	77000 (22570)	72800 (21340)	68800 (20160)	64800 (18990)	61000 (17880)				
	-20 (-28.9)		69800 (20460)	66000 (19340)	62400 (18290)	58800 (17230)	55200 (16180)	51600 (15120)				
	-25 (-31.7)		59200 (17350)	55800 (16350)	52600 (15420)	49400 (14480)	46200 (13540)	43000 (12600)				
	-30 (-34.4)		49400 (14480)	46400 (13600)	43400 (12720)	40600 (11900)	37800 (11080)	34800 (10200)				
	-35 (-37.2)		40400 (11840)	37600 (11020)	35000 (10260)	32400 (9500)	29800 (8730)	27400 (8030)				
-40 (-40.0)		32000 (9380)	29400 (8620)	27000 (7910)	24800 (7270)	22400 (6560)	20200 (5920)					
KMD200L8-B Compressor Model 4PES-12	0 (-17.8)		134200 (39330)	127400 (37340)	120800 (35400)	114000 (33410)	107600 (31530)	101000 (29600)				
	-5 (-20.6)		117800 (34520)	111800 (32770)	105600 (30950)	99800 (29250)	93800 (27490)	88000 (25790)				
	-10 (-23.3)		102600 (30070)	97200 (28490)	91800 (26900)	86400 (25320)	81000 (23740)	75600 (22160)				
	-15 (-26.1)		88600 (25970)	83600 (24500)	78800 (23090)	74000 (21690)	69000 (20220)	64200 (18820)				
	-20 (-28.9)		75600 (22160)	71200 (20870)	66800 (19580)	62400 (18290)	58000 (17000)	53800 (15770)				
	-25 (-31.7)		63400 (18580)	59400 (17410)	55600 (16290)	51600 (15120)	47800 (14010)	44200 (12950)				
	-30 (-34.4)		52200 (15300)	48800 (14300)	45200 (13250)	41800 (12250)	38200 (11200)	34800 (10200)				
	-35 (-37.2)		42000 (12310)	38800 (11370)	35800 (10490)	32600 (9550)	29400 (8620)	26400 (7740)				
-40 (-40.0)		32400 (9500)	29600 (8670)	26600 (7800)	23800 (6980)	21000 (6150)	18280 (5360)					
KMD240L8-B Compressor Model 4NES-14	0 (-17.8)		162600 (47650)	154800 (45370)	147000 (43080)	139400 (40850)	131800 (38630)	124400 (36460)				
	-5 (-20.6)		143200 (41970)	136000 (39860)	129200 (37860)	122200 (35810)	115600 (33880)	108800 (31890)				
	-10 (-23.3)		125200 (36690)	118800 (34820)	112600 (33000)	106400 (31180)	100200 (29370)	94000 (27550)				
	-15 (-26.1)		108400 (31770)	102600 (30070)	97200 (28490)	91600 (26850)	86200 (25260)	80600 (23620)				
	-20 (-28.9)		93000 (27260)	88000 (25790)	83000 (24320)	78000 (22860)	73000 (21390)	68200 (19990)				
	-25 (-31.7)		78800 (23090)	74200 (21750)	69800 (20460)	65400 (19170)	61000 (17880)	56800 (16650)				
	-30 (-34.4)		65600 (19230)	61600 (18050)	57400 (16820)	53600 (15710)	49600 (14540)	45800 (13420)				
	-35 (-37.2)		53400 (15650)	49600 (14540)	46000 (13480)	42400 (12430)	39000 (11430)	35800 (10490)				
-40 (-40.0)		42000 (12310)	38600 (11310)	35400 (10370)	32200 (9440)	29200 (8560)	26000 (7620)					
KMD260L8-B Compressor Model 4JE-15	0 (-17.8)		188600 (55270)	179600 (52640)	170800 (50060)	162200 (47540)	153400 (44960)	145000 (42500)				
	-5 (-20.6)		165600 (48530)	157600 (46190)	149600 (43840)	141600 (41500)	133800 (39210)	126000 (36930)				
	-10 (-23.3)		144200 (42260)	137000 (40150)	129600 (37980)	122400 (35870)	115600 (33880)	108600 (31830)				
	-15 (-26.1)		124400 (36460)	117600 (34470)	111400 (32650)	104800 (30710)	98400 (28840)	92400 (27080)				
	-20 (-28.9)		105600 (30950)	99800 (29250)	94000 (27550)	88400 (25910)	82800 (24270)	77200 (22630)				
	-25 (-31.7)		88400 (25910)	83200 (24380)	78200 (22920)	73000 (21390)	68000 (19930)	63200 (18520)				
	-30 (-34.4)		72200 (21160)	67600 (19810)	63200 (18520)	58600 (17170)	54200 (15880)	50000 (14650)				
	-35 (-37.2)		57200 (16760)	53200 (15590)	49200 (14420)	45200 (13250)	41200 (12070)	37400 (10960)				
-40 (-40.0)		43000 (12600)	39400 (11550)	36000 (10550)	32400 (9500)	29000 (8500)	25600 (7500)					
KMD300L8-B Compressor Model 4HE-18	0 (-17.8)		218600 (64070)	208800 (61190)	198600 (58200)	189000 (55390)	179400 (52580)	169600 (49700)				
	-5 (-20.6)		193000 (56560)	183800 (53870)	175000 (51290)	166000 (48650)	157200 (46070)	148600 (43550)				
	-10 (-23.3)		168800 (49470)	160600 (47070)	152400 (44660)	144400 (42320)	136800 (40090)	129000 (37810)				
	-15 (-26.1)		146200 (42850)	139000 (40740)	131600 (38570)	124600 (36520)	117600 (34470)	110600 (32410)				
	-20 (-28.9)		125200 (36690)	118600 (34760)	112200 (32880)	105800 (31010)	99600 (29190)	93400 (27370)				
	-25 (-31.7)		105400 (30890)	99800 (29250)	94000 (27550)	88400 (25910)	82800 (24270)	77400 (22680)				
	-30 (-34.4)		87200 (25560)	82000 (24030)	76800 (22510)	71800 (21040)	67000 (19640)	62200 (18230)				
	-35 (-37.2)		69800 (20460)	65400 (19170)	60600 (17760)	56200 (16470)	52000 (15240)	47800 (14010)				
-40 (-40.0)		53400 (15650)	49400 (14480)	45400 (13310)	41600 (12190)	37800 (11080)	34000 (9960)					
KMD400L8-B Compressor Model 4GE-23	0 (-17.8)		257400 (75440)	246400 (72210)	235200 (68930)	224200 (65710)	213600 (62600)	202800 (59430)				
	-5 (-20.6)		228000 (66820)	218000 (63890)	208200 (61020)	198200 (58090)	188400 (55210)	179000 (52460)				
	-10 (-23.3)		200600 (58790)	191600 (56150)	182400 (53460)	173600 (50880)	165000 (48360)	156400 (45840)				
	-15 (-26.1)		174800 (51230)	166800 (48880)	158800 (46540)	150800 (44190)	143000 (41910)	135400 (39680)				
	-20 (-28.9)		150600 (44140)	143400 (42030)	136200 (39920)	129400 (37920)	122400 (35870)	115800 (33940)				
	-25 (-31.7)		128200 (37570)	121800 (35700)	115600 (33880)	109200 (32000)	103200 (30240)	97200 (28490)				
	-30 (-34.4)		106800 (31300)	101200 (29660)	95800 (28080)	90400 (26490)	84800 (24850)	79600 (23330)				
	-35 (-37.2)		87000 (25500)	82000 (24030)	77000 (22570)	72200 (21160)	67600 (19810)	63000 (18460)				
-40 (-40.0)		68000 (19930)	63600 (18640)	59400 (17410)	55200 (16180)	51000 (14950)	47000 (13770)					

NOTES: - Above ratings are based on mean temperature. - To convert to dew point ratings, use 0.95 multiplier.

CAPACITY DATA - R448A R449A
HIGH TEMPERATURE

MODEL KMD	SATURATED SUCTION TEMPERATURE		CAPACITY BTU/H (WATTS) R448A R449A						AMBIENT TEMPERATURE °F (°C)	
	F°	(C°)	85 (29.4)	90 (32.2)	95 (35.0)	100 (37.8)	105 (40.6)	110 (43.3)		
KMD120H8-B Comp. Model 4EES-6	45 (7.2)		193200 (56620)	185800 (54450)	178600 (52340)	171200 (50170)	163800 (48000)	---	---	---
	40 (4.4)		176200 (51640)	169400 (49650)	162800 (47710)	155800 (45660)	149200 (43730)	142400 (41730)	142400 (41730)	---
	35 (1.7)		160200 (46950)	154000 (45130)	147800 (43320)	141600 (41500)	135200 (39620)	129000 (37810)	129000 (37810)	---
KMD150H8-B Comp. Model 4DES-7	45 (7.2)		222200 (65120)	213600 (62600)	205200 (60140)	196800 (57680)	---	---	---	---
	40 (4.4)		203000 (59490)	195000 (57150)	187200 (54860)	179400 (52580)	171400 (50230)	163000 (47770)	155600 (45600)	148200 (43430)
	35 (1.7)		184800 (54160)	177600 (52050)	170400 (49940)	163000 (47770)	155600 (45600)	148200 (43430)	148200 (43430)	---
KMD180H8-B Comp. Model 4CES-9	45 (7.2)		273200 (80070)	263000 (77080)	252600 (74030)	242400 (71040)	---	---	---	---
	40 (4.4)		250000 (73270)	240200 (70400)	230800 (67640)	221200 (64830)	211600 (62010)	202000 (59200)	192400 (56390)	183600 (53810)
	35 (1.7)		227800 (66760)	218800 (64120)	210000 (61540)	201200 (58970)	192400 (56390)	183600 (53810)	183600 (53810)	---
KMD200H8-B Comp. Model 4VES-10	45 (7.2)		300600 (88100)	288600 (84580)	276800 (81120)	264800 (77600)	253000 (74150)	---	---	---
	40 (4.4)		273400 (80130)	262200 (76840)	251400 (73680)	240400 (70450)	229600 (67290)	218600 (64070)	218600 (64070)	---
	35 (1.7)		248000 (72680)	237800 (69690)	227600 (66700)	217400 (63710)	207200 (60720)	197400 (57850)	197400 (57850)	---
KMD240H8-B Comp. Model 4TES-12	45 (7.2)		361800 (106030)	347800 (101930)	333600 (97770)	319600 (93670)	305800 (89620)	---	---	---
	40 (4.4)		329400 (96540)	316400 (92730)	303400 (88920)	290400 (85110)	277600 (81360)	264600 (77550)	264600 (77550)	---
	35 (1.7)		299000 (87630)	287000 (84110)	275200 (80650)	263200 (77140)	251200 (73620)	239200 (70100)	239200 (70100)	---
KMD300H8-B Comp. Model 4PES-15	45 (7.2)		408600 (119750)	392200 (114940)	375600 (110080)	359400 (105330)	343000 (100520)	---	---	---
	40 (4.4)		372200 (109080)	356800 (104570)	341400 (100050)	326400 (95660)	311000 (91140)	295800 (86690)	295800 (86690)	---
	35 (1.7)		337400 (98880)	323400 (94780)	309200 (90620)	295000 (86460)	281200 (82410)	267200 (78310)	267200 (78310)	---
KMD400H8-B Comp. Model 4NES-20	45 (7.2)		467600 (137040)	449400 (131710)	431000 (126310)	412600 (120920)	---	---	---	---
	40 (4.4)		427600 (125320)	410400 (120280)	393400 (115290)	376400 (110310)	359400 (105330)	342400 (100230)	326400 (95660)	310600 (91030)
	35 (1.7)		389400 (114120)	373600 (109490)	357800 (104860)	342000 (100230)	326400 (95660)	310600 (91030)	310600 (91030)	---

NOTES: - Above ratings are based on mean temperature. - To convert to dew point ratings, use 0.95 multiplier. - For R449A, use R448A data.

CAPACITY DATA - R448A R449A
MEDIUM TEMPERATURE

MODEL KMD	SATURATED SUCTION TEMPERATURE		CAPACITY BTU/H (WATTS) R448A R449A AMBIENT TEMPERATURE °F (°C)									
	° F	° C	85 (29.4)	90 (32.2)	95 (35.0)	100 (37.8)	105 (40.6)	110 (43.3)				
KMD120M8-B Compressor Model 4EES-6	30 (-1.1)		145400 (42610)	139600 (40910)	133800 (39210)	127800 (37450)	122200 (35810)	116400 (34110)				
	25 (-3.9)		131200 (38450)	126000 (36930)	120800 (35400)	115200 (33760)	110000 (32240)	104800 (30710)				
	20 (-6.7)		118200 (34640)	113400 (33230)	108600 (31830)	103600 (30360)	98800 (28960)	93800 (27490)				
	15 (-9.4)		106000 (31070)	101600 (29780)	97200 (28490)	92800 (27200)	88400 (25910)	84000 (24620)				
	10 (-12.2)		94800 (27780)	90800 (26610)	86800 (25440)	82800 (24270)	78800 (23090)	74800 (21920)				
	5 (-15)		84200 (24680)	80600 (23620)	77000 (22570)	73200 (21450)	69800 (20460)	66200 (19400)				
	0 (-17.8)		74600 (21860)	71400 (20930)	68000 (19930)	64800 (18990)	61600 (18050)	58400 (17120)				
KMD150M8-B Compressor Model 4DES-7	30 (-1.1)		167800 (49180)	161000 (47180)	154400 (45250)	147600 (43260)	140800 (41260)	134000 (39270)				
	25 (-3.9)		151800 (44490)	145600 (42670)	139200 (40800)	133200 (39040)	126800 (37160)	120800 (35400)				
	20 (-6.7)		136800 (40090)	131000 (38390)	125400 (36750)	119800 (35110)	114000 (33410)	108400 (31770)				
	15 (-9.4)		122600 (35930)	117600 (34470)	112400 (32940)	107200 (31420)	102000 (29890)	96800 (28370)				
	10 (-12.2)		109600 (32120)	105000 (30770)	100200 (29370)	95600 (28020)	91000 (26670)	86200 (25260)				
	5 (-15)		97600 (28600)	93400 (27370)	89000 (26080)	84800 (24850)	80600 (23620)	76400 (22390)				
	0 (-17.8)		86600 (25380)	82600 (24210)	78800 (23090)	75000 (21980)	71200 (20870)	67400 (19750)				
KMD180M8-B Compressor Model 4CES-9	30 (-1.1)		206800 (60610)	198600 (58200)	190400 (55800)	182400 (53460)	174400 (51110)	166200 (48710)				
	25 (-3.9)		187400 (54920)	179800 (52690)	172200 (50470)	164800 (48300)	157200 (46070)	150000 (43960)				
	20 (-6.7)		168800 (49470)	162200 (47540)	155200 (45480)	148400 (43490)	141600 (41500)	134800 (39510)				
	15 (-9.4)		151800 (44490)	145600 (42670)	139200 (40800)	133200 (39040)	126800 (37160)	120800 (35400)				
	10 (-12.2)		135800 (39800)	130200 (38160)	124600 (36520)	118800 (34820)	113400 (33230)	107800 (31590)				
	5 (-15)		121200 (35520)	116200 (34050)	110800 (32470)	105800 (31010)	100800 (29540)	95800 (28080)				
	0 (-17.8)		107600 (31530)	103000 (30190)	98200 (28780)	93800 (27490)	89200 (26140)	84600 (24790)				
KMD200M8-B Compressor Model 4VES-10	30 (-1.1)		224000 (65650)	214600 (62890)	205400 (60200)	196000 (57440)	186600 (54690)	177400 (51990)				
	25 (-3.9)		201600 (59080)	193000 (56560)	184600 (54100)	176000 (51580)	167600 (49120)	159200 (46660)				
	20 (-6.7)		180800 (52990)	173000 (50700)	165200 (48420)	157600 (46190)	149800 (43900)	142000 (41620)				
	15 (-9.4)		161400 (47300)	154400 (45250)	147400 (43200)	140200 (41090)	133400 (39100)	126200 (36990)				
	10 (-12.2)		143600 (42080)	137200 (40210)	130800 (38330)	124600 (36520)	118000 (34580)	111800 (32770)				
	5 (-15)		127000 (37220)	121400 (35580)	115600 (33880)	109800 (32180)	104200 (30540)	98400 (28840)				
	0 (-17.8)		112000 (32820)	106600 (31240)	101600 (29780)	96400 (28250)	91400 (26790)	86200 (25260)				
KMD240M8-B Compressor Model 4TES-12	30 (-1.1)		270400 (79250)	259400 (76020)	248400 (72800)	237600 (69630)	226400 (66350)	215400 (63130)				
	25 (-3.9)		243800 (71450)	233600 (68460)	223600 (65530)	213600 (62600)	203400 (59610)	193600 (56740)				
	20 (-6.7)		218800 (64120)	209600 (61430)	200600 (58790)	191400 (56090)	182200 (53400)	173200 (50760)				
	15 (-9.4)		195800 (57380)	187400 (54920)	179200 (52520)	170800 (50060)	162600 (47650)	154400 (45250)				
	10 (-12.2)		174400 (51110)	167000 (48940)	159400 (46720)	151800 (44490)	144400 (42320)	137000 (40150)				
	5 (-15)		154800 (45370)	147800 (43320)	141200 (41380)	134400 (39390)	127600 (37400)	121000 (35460)				
	0 (-17.8)		136600 (40030)	130400 (38220)	124400 (36460)	118400 (34700)	112400 (32940)	106400 (31180)				
KMD300M8-B Compressor Model 4PES-15	30 (-1.1)		305000 (89390)	292000 (85580)	278800 (81710)	266000 (77960)	253000 (74150)	240200 (70400)				
	25 (-3.9)		274600 (80480)	262800 (77020)	250800 (73500)	238800 (69990)	227000 (66530)	215200 (63070)				
	20 (-6.7)		246200 (72150)	235200 (68930)	224400 (65760)	213600 (62600)	202800 (59430)	192000 (56270)				
	15 (-9.4)		219800 (64420)	210000 (61540)	200000 (58610)	190200 (55740)	180400 (52870)	170600 (50000)				
	10 (-12.2)		195600 (57320)	186400 (54630)	177400 (51990)	168600 (49410)	159600 (46770)	150800 (44190)				
	5 (-15)		172800 (50640)	164800 (48300)	156600 (45890)	148600 (43550)	140800 (41260)	132800 (38920)				
	0 (-17.8)		152200 (44610)	145000 (42500)	137600 (40330)	130400 (38220)	123000 (36050)	116000 (34000)				
KMD400M8-B Compressor Model 4NES-20	30 (-1.1)		353200 (103510)	338800 (99290)	324200 (95010)	309800 (90790)	295200 (86510)	280800 (82290)				
	25 (-3.9)		319400 (93610)	306000 (89680)	292800 (85810)	279400 (81880)	266000 (77960)	252800 (74090)				
	20 (-6.7)		287400 (84230)	275400 (80710)	263200 (77140)	251200 (73620)	239000 (70040)	227000 (66530)				
	15 (-9.4)		257800 (75550)	246800 (72330)	235800 (69110)	224800 (65880)	213800 (62660)	202800 (59430)				
	10 (-12.2)		230400 (67520)	220200 (64530)	210200 (61600)	200400 (58730)	190400 (55800)	180600 (52930)				
	5 (-15)		204800 (60020)	195800 (57380)	186600 (54690)	177800 (52110)	168800 (49470)	160000 (46890)				
	0 (-17.8)		181200 (53100)	173000 (50700)	165000 (48360)	157000 (46010)	149200 (43730)	141200 (41380)				

NOTES: - Above ratings are based on mean temperature. - To convert to dew point ratings, use 0.95 multiplier. - For R449A, use R448A data.

CAPACITY DATA - R448A R449A
LOW TEMPERATURE

MODEL KMD	SATURATED SUCTION TEMPERATURE		CAPACITY BTU/H (WATTS) R448A R449A AMBIENT TEMPERATURE °F (°C)											
	° F	° C	85 (29.4)	90 (32.2)	95 (35.0)	100 (37.8)	105 (40.6)	110 (43.3)						
KMD160L8-B Compressor Model 4TES-9	0	(-17.8)	62400 (18290)	59500 (17440)	56600 (16590)	53700 (15740)	50800 (14890)	48000 (14070)						
	-5	(-20.6)	55100 (16150)	52500 (15390)	49900 (14620)	47300 (13860)	44600 (13070)	42100 (12340)						
	-10	(-23.3)	48400 (14180)	46000 (13480)	43700 (12810)	41300 (12100)	39000 (11430)	36600 (10730)						
	-15	(-26.1)	42100 (12340)	40000 (11720)	37900 (11110)	35800 (10490)	33700 (9880)	31700 (9290)						
	-20	(-28.9)	36400 (10670)	34500 (10110)	32700 (9580)	30800 (9030)	28900 (8470)	27100 (7940)						
	-25	(-31.7)	31200 (9140)	29500 (8650)	27800 (8150)	26100 (7650)	24500 (7180)	22800 (6680)						
	-30	(-34.4)	26400 (7740)	24900 (7300)	23300 (6830)	21800 (6390)	20400 (5980)	18900 (5540)						
	-35	(-37.2)	21900 (6420)	20600 (6040)	19300 (5660)	18000 (5280)	16600 (4860)	15300 (4480)						
-40	(-40.0)	18000 (5280)	16700 (4890)	15500 (4540)	14400 (4220)	13100 (3840)	12000 (3520)							
KMD200L8-B Compressor Model 4PES-12	0	(-17.8)	69000 (20220)	65500 (19200)	62100 (18200)	58600 (17170)	55100 (16150)	51800 (15180)						
	-5	(-20.6)	60800 (17820)	57600 (16880)	54500 (15970)	51300 (15030)	48300 (14160)	45200 (13250)						
	-10	(-23.3)	53100 (15560)	50300 (14740)	47500 (13920)	44600 (13070)	41900 (12280)	39100 (11460)						
	-15	(-26.1)	46100 (13510)	43600 (12780)	41000 (12020)	38400 (11250)	36000 (10550)	33500 (9820)						
	-20	(-28.9)	39600 (11610)	37400 (10960)	35100 (10290)	32800 (9610)	30600 (8970)	28400 (8320)						
	-25	(-31.7)	33700 (9880)	31600 (9260)	29600 (8670)	27600 (8090)	25600 (7500)	23600 (6920)						
	-30	(-34.4)	28200 (8260)	26500 (7770)	24600 (7210)	22800 (6680)	21000 (6150)	19300 (5660)						
	-35	(-37.2)	23300 (6830)	21600 (6330)	20100 (5890)	18400 (5390)	16800 (4920)	15200 (4450)						
-40	(-40.0)	18800 (5510)	17200 (5040)	15800 (4630)	14400 (4220)	12900 (3780)	11600 (3400)							
KMD240L8-B Compressor Model 4NES-14	0	(-17.8)	84300 (24710)	80300 (23530)	76200 (22330)	72100 (21130)	68100 (19960)	64100 (18790)						
	-5	(-20.6)	74600 (21860)	70900 (20780)	67200 (19690)	63600 (18640)	60000 (17580)	56300 (16500)						
	-10	(-23.3)	65400 (19170)	62200 (18230)	58900 (17260)	55700 (16320)	52300 (15330)	49000 (14360)						
	-15	(-26.1)	57000 (16700)	54100 (15860)	51200 (15010)	48300 (14160)	45400 (13310)	42400 (12430)						
	-20	(-28.9)	49400 (14480)	46700 (13690)	44100 (12920)	41500 (12160)	38900 (11400)	36200 (10610)						
	-25	(-31.7)	42300 (12400)	39900 (11690)	37600 (11020)	35300 (10350)	33000 (9670)	30600 (8970)						
	-30	(-34.4)	35800 (10490)	33700 (9880)	31600 (9260)	29500 (8650)	27400 (8030)	25400 (7440)						
	-35	(-37.2)	29900 (8760)	28000 (8210)	26100 (7650)	24300 (7120)	22400 (6560)	20600 (6040)						
-40	(-40.0)	24500 (7180)	22800 (6680)	21100 (6180)	19400 (5690)	17700 (5190)	16100 (4720)							
KMD260L8-B Compressor Model 4JE-15	0	(-17.8)	102000 (29890)	97400 (28550)	93000 (27260)	88500 (25940)	84000 (24620)	79600 (23330)						
	-5	(-20.6)	90300 (26460)	86200 (25260)	82100 (24060)	78100 (22890)	74000 (21690)	70000 (20510)						
	-10	(-23.3)	79500 (23300)	75800 (22210)	72100 (21130)	68500 (20080)	64800 (18990)	61100 (17910)						
	-15	(-26.1)	69400 (20340)	66200 (19400)	62800 (18400)	59500 (17440)	56200 (16470)	52900 (15500)						
	-20	(-28.9)	60200 (17640)	57100 (16730)	54200 (15880)	51200 (15010)	48200 (14130)	45300 (13280)						
	-25	(-31.7)	51700 (15150)	48900 (14330)	46200 (13540)	43600 (12780)	40800 (11960)	38200 (11200)						
	-30	(-34.4)	43800 (12840)	41300 (12100)	38900 (11400)	36400 (10670)	34000 (9960)	31700 (9290)						
	-35	(-37.2)	36400 (10670)	34300 (10050)	32100 (9410)	29900 (8760)	27700 (8120)	25600 (7500)						
-40	(-40.0)	29800 (8730)	27800 (8150)	25800 (7560)	23800 (6980)	21800 (6390)	19800 (5800)							
KMD300L8-B Compressor Model 4HE-18	0	(-17.8)	117200 (34350)	112000 (32820)	107000 (31360)	102000 (29890)	96800 (28370)	91800 (26900)						
	-5	(-20.6)	104200 (30540)	99600 (29190)	95000 (27840)	90400 (26490)	85900 (25170)	81300 (23830)						
	-10	(-23.3)	92100 (26990)	88000 (25790)	83800 (24560)	79700 (23360)	75600 (22160)	71500 (20950)						
	-15	(-26.1)	80900 (23710)	77200 (22630)	73400 (21510)	69700 (20430)	66000 (19340)	62400 (18290)						
	-20	(-28.9)	70400 (20630)	67100 (19660)	63700 (18670)	60500 (17730)	57100 (16730)	53900 (15800)						
	-25	(-31.7)	60700 (17790)	57800 (16940)	54800 (16060)	51900 (15210)	48900 (14330)	46000 (13480)						
	-30	(-34.4)	51800 (15180)	49100 (14390)	46400 (13600)	43800 (12840)	41200 (12070)	38500 (11280)						
	-35	(-37.2)	43500 (12750)	41100 (12050)	38700 (11340)	36300 (10640)	34000 (9960)	31700 (9290)						
-40	(-40.0)	35800 (10490)	33600 (9850)	31500 (9230)	29400 (8620)	27300 (8000)	25200 (7390)							
KMD400L8-B Compressor Model 4GE-23	0	(-17.8)	136200 (39920)	130400 (38220)	124700 (36550)	119000 (34880)	113200 (33180)	107400 (31480)						
	-5	(-20.6)	121500 (35610)	116300 (34080)	111200 (32590)	105900 (31040)	100800 (29540)	95700 (28050)						
	-10	(-23.3)	107700 (31560)	103100 (30220)	98500 (28870)	93900 (27520)	89300 (26170)	84600 (24790)						
	-15	(-26.1)	94900 (27810)	90800 (26610)	86700 (25410)	82500 (24180)	78400 (22980)	74400 (21800)						
	-20	(-28.9)	83000 (24320)	79400 (23270)	75700 (22190)	72000 (21100)	68500 (20080)	64800 (18990)						
	-25	(-31.7)	71900 (21070)	68700 (20130)	65400 (19170)	62300 (18260)	59000 (17290)	55900 (16380)						
	-30	(-34.4)	61600 (18050)	58800 (17230)	56000 (16410)	53100 (15560)	50300 (14740)	47500 (13920)						
	-35	(-37.2)	52200 (15300)	49600 (14540)	47000 (13770)	44500 (13040)	42100 (12340)	39600 (11610)						
-40	(-40.0)	43400 (12720)	41100 (12050)	38700 (11340)	36500 (10700)	34300 (10050)	32200 (9440)							

NOTES: - Above ratings are based on mean temperature. - To convert to dew point ratings, use 0.95 multiplier. - For R449A, use R448A data.

CAPACITY DATA - R407C
HIGH TEMPERATURE

MODEL KMD	SATURATED SUCTION TEMPERATURE F° (C°)	CAPACITY BTU/H (WATTS) R407C AMBIENT TEMPERATURE °F (°C)							
		85 (29.4)	90 (32.2)	95 (35.0)	100 (37.8)	105 (40.6)	110 (43.3)		
KMD120H8-B Compressor Model 4EES-6	55 (12.8)	218200 (63950)	209600 (61430)	201000 (58910)	192400 (56390)	183800 (53870)	175200 (51350)		
	50 (10)	199800 (58560)	191800 (56210)	183800 (53870)	176000 (51580)	168000 (49240)	160000 (46890)		
	45 (7.2)	182000 (53340)	175000 (51290)	167600 (49120)	160200 (46950)	153000 (44840)	145800 (42730)		
	40 (4.4)	165400 (48470)	159000 (46600)	152200 (44610)	145600 (42670)	139000 (40740)	132400 (38800)		
	35 (-17.8)	150000 (43960)	143800 (42140)	137800 (40390)	131600 (38570)	125800 (36870)	119800 (35110)		
KMD150H8-B Compressor Model 4DES-7	55 (12.8)	252000 (73850)	242200 (70980)	232200 (68050)	222400 (65180)	212600 (62310)	202600 (59380)		
	50 (10)	231400 (67820)	222200 (65120)	213200 (62480)	204000 (59790)	194800 (57090)	185600 (54390)		
	45 (7.2)	211600 (62010)	203200 (59550)	194800 (57090)	186400 (54630)	178000 (52170)	169600 (49700)		
	40 (4.4)	193000 (56560)	185200 (54280)	177400 (51990)	169800 (49760)	162200 (47540)	154400 (45250)		
	35 (-17.8)	175200 (51350)	168000 (49240)	161000 (47180)	154200 (45190)	147000 (43080)	140000 (41030)		
KMD180H8-B Compressor Model 4CES-9	55 (12.8)	310000 (90850)	298000 (87330)	286000 (83820)	274000 (80300)	262000 (76780)	250200 (73330)		
	50 (10)	284800 (83470)	273600 (80180)	262800 (77020)	251600 (73740)	240400 (70450)	229600 (67290)		
	45 (7.2)	260600 (76370)	250400 (73380)	240200 (70400)	230200 (67460)	219800 (64420)	209800 (61490)		
	40 (4.4)	237600 (69630)	228200 (66880)	219000 (64180)	209800 (61490)	200400 (58730)	191200 (56030)		
	35 (-17.8)	215800 (63240)	207200 (60720)	198800 (58260)	190400 (55800)	182000 (53340)	173600 (50880)		
KMD200H8-B Compressor Model 4VES-10	55 (12.8)	340600 (99820)	327800 (96070)	315200 (92380)	302400 (88620)	289400 (84810)	276600 (81060)		
	50 (10)	311400 (91260)	299600 (87800)	288000 (84400)	276000 (80890)	264000 (77370)	252000 (73850)		
	45 (7.2)	284000 (83230)	273000 (80010)	262000 (76780)	251200 (73620)	240000 (70340)	229000 (67110)		
	40 (4.4)	257800 (75550)	247800 (72620)	238000 (69750)	227600 (66700)	217600 (63770)	207400 (60780)		
	35 (-17.8)	233600 (68460)	224200 (65710)	215200 (63070)	205800 (60310)	196600 (57620)	187400 (54920)		
KMD240H8-B Compressor Model 4TES-12	55 (12.8)	409600 (120040)	394400 (115590)	379200 (111130)	364000 (106680)	348800 (102220)	333400 (97710)		
	50 (10)	374400 (109730)	360600 (105680)	346600 (101580)	332400 (97420)	318400 (93310)	304000 (89090)		
	45 (7.2)	341400 (100050)	328600 (96300)	315800 (92550)	302800 (88740)	289600 (84870)	276600 (81060)		
	40 (4.4)	310600 (91030)	298600 (87510)	286800 (84050)	274800 (80540)	263000 (77080)	250800 (73500)		
	35 (-17.8)	281400 (82470)	270600 (79300)	259800 (76140)	248800 (72920)	237800 (69690)	226800 (66470)		
KMD300H8-B Compressor Model 4PES-15	55 (12.8)	463200 (135750)	445600 (130590)	428000 (125430)	410400 (120280)	392400 (115000)	374600 (109780)		
	50 (10)	424000 (124260)	407800 (119510)	391200 (114650)	374800 (109840)	358200 (104980)	341600 (100110)		
	45 (7.2)	386800 (113360)	371800 (108960)	356600 (104510)	341200 (100000)	326000 (95540)	310600 (91030)		
	40 (4.4)	351800 (103100)	337800 (99000)	323800 (94900)	309800 (90790)	295600 (86630)	281400 (82470)		
	35 (-17.8)	318800 (93430)	306000 (89680)	293000 (85870)	280200 (82120)	267200 (78310)	254200 (74500)		
KMD400H8-B Compressor Model 4NES-20	55 (12.8)	525000 (153860)	505200 (148060)	485400 (142260)	465400 (136390)	445400 (130530)	425200 (124610)		
	50 (10)	482200 (141320)	463800 (135930)	445200 (130470)	426800 (125080)	408000 (119570)	389200 (114060)		
	45 (7.2)	441400 (129360)	424200 (124320)	407000 (119280)	389800 (114240)	372400 (109140)	355200 (104100)		
	40 (4.4)	402600 (117990)	386600 (113300)	370800 (108670)	355000 (104040)	338800 (99290)	322800 (94600)		
	35 (-17.8)	365800 (107210)	351200 (102930)	336600 (98650)	322000 (94370)	307200 (90030)	292600 (85750)		

NOTES: - Above ratings are based on mean temperature. - To convert to dew point ratings, use 0.95 multiplier.

CAPACITY DATA - R407C
MEDIUM TEMPERATURE

MODEL KMD	SATURATED SUCTION TEMPERATURE		CAPACITY BTU/H (WATTS) R407C AMBIENT TEMPERATURE °F (°C)					
	° F	° C	85 (29.4)	90 (32.2)	95 (35.0)	100 (37.8)	105 (40.6)	110 (43.3)
KMD120M8-B Compressor Model 4EES-6	30	(-1.1)	135200 (39620)	129800 (38040)	124400 (36460)	118800 (34820)	113400 (33230)	108000 (31650)
	25	(-3.9)	121600 (35640)	116600 (34170)	111800 (32770)	106600 (31240)	101800 (29830)	96800 (28370)
	20	(-6.7)	108800 (31890)	104400 (30600)	100000 (29310)	95400 (27960)	91000 (26670)	86600 (25380)
	15	(-9.4)	97000 (28430)	93000 (27260)	88800 (26020)	84800 (24850)	80800 (23680)	76800 (22510)
	10	(-12.2)	85800 (25150)	82400 (24150)	78800 (23090)	75200 (22040)	71600 (20980)	68000 (19930)
KMD150M8-B Compressor Model 4DES-7	30	(-1.1)	158400 (46420)	152000 (44550)	145600 (42670)	139200 (40800)	133000 (38980)	126600 (37100)
	25	(-3.9)	142600 (41790)	137000 (40150)	131000 (38390)	125400 (36750)	119800 (35110)	113800 (33350)
	20	(-6.7)	127800 (37450)	122800 (35990)	117600 (34470)	112400 (32940)	107400 (31480)	102000 (29890)
	15	(-9.4)	114200 (33470)	109600 (32120)	105000 (30770)	100400 (29420)	95800 (28080)	91000 (26670)
	10	(-12.2)	101600 (29780)	97400 (28550)	93200 (27310)	89000 (26080)	84800 (24850)	80600 (23620)
KMD180M8-B Compressor Model 4CES-9	30	(-1.1)	195400 (57270)	187800 (55040)	180000 (52750)	172400 (50530)	164600 (48240)	157000 (46010)
	25	(-3.9)	176200 (51640)	169200 (49590)	162400 (47590)	155400 (45540)	148400 (43490)	141600 (41500)
	20	(-6.7)	158200 (46360)	152000 (44550)	145800 (42730)	139600 (40910)	133400 (39100)	127000 (37220)
	15	(-9.4)	141400 (41440)	135800 (39800)	130400 (38220)	124800 (36580)	119200 (34930)	113600 (33290)
	10	(-12.2)	126000 (36930)	121000 (35460)	116000 (34000)	111000 (32530)	106000 (31070)	101000 (29600)
KMD200M8-B Compressor Model 4VES-10	30	(-1.1)	210800 (61780)	202400 (59320)	194000 (56860)	185400 (54340)	177000 (51870)	168400 (49350)
	25	(-3.9)	189400 (55510)	181800 (53280)	174400 (51110)	166600 (48830)	158800 (46540)	151000 (44250)
	20	(-6.7)	169600 (49700)	162800 (47710)	155800 (45660)	148800 (43610)	141800 (41560)	134800 (39510)
	15	(-9.4)	151400 (44370)	145200 (42550)	138800 (40680)	132600 (38860)	126000 (36930)	119800 (35110)
	10	(-12.2)	134400 (39390)	128800 (37750)	123000 (36050)	117200 (34350)	111600 (32710)	105800 (31010)
KMD240M8-B Compressor Model 4TES-12	30	(-1.1)	254200 (74500)	244200 (71570)	234400 (68700)	224200 (65710)	214400 (62830)	204400 (59900)
	25	(-3.9)	228600 (67000)	219800 (64420)	210800 (61780)	201600 (59080)	192600 (56450)	183400 (53750)
	20	(-6.7)	205200 (60140)	197000 (57730)	188800 (55330)	180600 (52930)	172200 (50470)	164000 (48060)
	15	(-9.4)	183200 (53690)	175800 (51520)	168400 (49350)	161000 (47180)	153600 (45020)	146000 (42790)
	10	(-12.2)	162800 (47710)	156200 (45780)	149600 (43840)	142800 (41850)	136000 (39860)	129400 (37920)
KMD300M8-B Compressor Model 4PES-15	30	(-1.1)	287800 (84350)	276000 (80890)	264200 (77430)	252400 (73970)	240400 (70450)	228600 (67000)
	25	(-3.9)	258800 (75850)	248000 (72680)	237400 (69570)	226600 (66410)	215600 (63190)	205000 (60080)
	20	(-6.7)	231800 (67930)	222200 (65120)	212400 (62250)	202400 (59320)	192800 (56500)	183000 (53630)
	15	(-9.4)	206600 (60550)	197800 (57970)	189000 (55390)	180200 (52810)	171400 (50230)	162400 (47590)
	10	(-12.2)	183400 (53750)	175400 (51400)	167400 (49060)	159400 (46720)	151400 (44370)	143200 (41970)
KMD400M8-B Compressor Model 4NES-20	30	(-1.1)	331200 (97060)	317800 (93140)	304600 (89270)	291000 (85280)	277600 (81360)	264000 (77370)
	25	(-3.9)	298600 (87510)	286400 (83940)	274200 (80360)	262000 (76780)	249600 (73150)	237600 (69630)
	20	(-6.7)	268200 (78600)	257200 (75380)	246200 (72150)	235000 (68870)	223800 (65590)	212800 (62370)
	15	(-9.4)	239800 (70280)	230000 (67410)	219800 (64420)	209800 (61490)	199800 (58560)	189600 (55570)
	10	(-12.2)	213600 (62600)	204600 (59960)	195600 (57320)	186200 (54570)	177200 (51930)	168000 (49240)

NOTES: - Above ratings are based on mean temperature. - To convert to dew point ratings, use 0.95 multiplier.

MODEL KMD	SATURATED SUCTION TEMPERATURE F° (C°)	CAPACITY BTU/H (WATTS) R404A R507 AMBIENT TEMPERATURE °F (°C)							
		85 (29.4)	90 (32.2)	95 (35.0)	100 (37.8)	105 (40.6)	110 (43.3)		
KMD120H8-B Comp. Model 4EES-6	45 (7.2)	187200 (54860)	178400 (52280)	169600 (49700)	161000 (47180)	152000 (44550)	143200 (41970)		
	40 (4.4)	172600 (50580)	164400 (48180)	156400 (45840)	148200 (43430)	140000 (41030)	131800 (38630)		
	35 (1.7)	158600 (46480)	151200 (44310)	143600 (42080)	136200 (39920)	128600 (37690)	121000 (35460)		
KMD150H8-B Comp. Model 4DES-7	45 (7.2)	217600 (63770)	207800 (60900)	198000 (58030)	188000 (55100)	178000 (52170)	168000 (49240)		
	40 (4.4)	201000 (58910)	192000 (56270)	182800 (53570)	173600 (50880)	164200 (48120)	155000 (45430)		
	35 (1.7)	185200 (54280)	176800 (51810)	168200 (49290)	159800 (46830)	151200 (44310)	142600 (41790)		
KMD180H8-B Comp. Model 4CES-9	45 (7.2)	266400 (78070)	254800 (74670)	243200 (71270)	231600 (67880)	219800 (64420)	208200 (61020)		
	40 (4.4)	245800 (72040)	235000 (68870)	224200 (65710)	213400 (62540)	202400 (59320)	191600 (56150)		
	35 (1.7)	226200 (66290)	216200 (63360)	206000 (60370)	196000 (57440)	185800 (54450)	175800 (51520)		
KMD200H8-B Comp. Model 4VES-10	45 (7.2)	295400 (86570)	282000 (82650)	268600 (78720)	255400 (74850)	242000 (70920)	228800 (67050)		
	40 (4.4)	271400 (79540)	259000 (75910)	246600 (72270)	234200 (68640)	221800 (65000)	209600 (61430)		
	35 (1.7)	248600 (72860)	237000 (69460)	225600 (66120)	214200 (62780)	202800 (59430)	191200 (56030)		
KMD240H8-B Comp. Model 4TES-12	45 (7.2)	355200 (104100)	339400 (99470)	323600 (94840)	307600 (90150)	291800 (85520)	276000 (80890)		
	40 (4.4)	326600 (95720)	311800 (91380)	297200 (87100)	282400 (82760)	267800 (78480)	253000 (74150)		
	35 (1.7)	299400 (87750)	285800 (83760)	272000 (79720)	258400 (75730)	244800 (71740)	231200 (67760)		
KMD300H8-B Comp. Model 4PES-15	45 (7.2)	400800 (117460)	382400 (112070)	364200 (106740)	345800 (101340)	327400 (95950)	309200 (90620)		
	40 (4.4)	368600 (108030)	351400 (102980)	334400 (98000)	317400 (93020)	300200 (87980)	283200 (83000)		
	35 (1.7)	337800 (99000)	322000 (94370)	306000 (89680)	290200 (85050)	274400 (80420)	258600 (75790)		
KMD400H8-B Comp. Model 4NES-20	45 (7.2)	455200 (133410)	434400 (127310)	413600 (121210)	393000 (115180)	372200 (109080)	351600 (103040)		
	40 (4.4)	420000 (123090)	400800 (117460)	381400 (111780)	362200 (106150)	342800 (100460)	323600 (94840)		
	35 (1.7)	386400 (113240)	368400 (107970)	350600 (102750)	332600 (97480)	314800 (92260)	296800 (86980)		

MODEL KMD	SATURATED SUCTION TEMPERATURE		CAPACITY BTU/H (WATTS) R404A R507 AMBIENT TEMPERATURE °F (°C)									
	° F	° C	85 (29.4)	90 (32.2)	95 (35.0)	100 (37.8)	105 (40.6)	110 (43.3)				
KMD120M8-B Compressor Model 4EES-6	30 (-1.1)		145200 (42550)	138400 (40560)	131600 (38570)	124800 (36580)	117800 (34520)	110800 (32470)				
	25 (-3.9)		132600 (38860)	126400 (37040)	120200 (35230)	113800 (33350)	107400 (31480)	101000 (29600)				
	20 (-6.7)		120600 (35340)	115000 (33700)	109200 (32000)	103600 (30360)	97800 (28660)	92000 (26960)				
	15 (-9.4)		109400 (32060)	104200 (30540)	99000 (29010)	93800 (27490)	88600 (25970)	83400 (24440)				
	10 (-12.2)		98800 (28960)	94000 (27550)	89400 (26200)	84800 (24850)	80000 (23450)	75200 (22040)				
	5 (-15)		88800 (26020)	84600 (24790)	80400 (23560)	76200 (22330)	72000 (21100)	67600 (19810)				
	0 (-17.8)		79400 (23270)	75800 (22210)	72000 (21100)	68200 (19990)	64400 (18870)	60600 (17760)				
KMD150M8-B Compressor Model 4DES-7	30 (-1.1)		170000 (49820)	162200 (47540)	154400 (45250)	146600 (42960)	138800 (40680)	130800 (38330)				
	25 (-3.9)		155600 (45600)	148600 (43550)	141400 (41440)	134200 (39330)	126800 (37160)	119600 (35050)				
	20 (-6.7)		142000 (41620)	135400 (39680)	128800 (37750)	122200 (35810)	115600 (33880)	109000 (31940)				
	15 (-9.4)		129000 (37810)	123000 (36050)	117200 (34350)	111200 (32590)	105000 (30770)	99000 (29010)				
	10 (-12.2)		116800 (34230)	111400 (32650)	106000 (31070)	100600 (29480)	95200 (27900)	89600 (26260)				
	5 (-15)		105200 (30830)	100400 (29420)	95600 (28020)	90800 (26610)	85800 (25150)	80800 (23680)				
	0 (-17.8)		94600 (27720)	90200 (26430)	85800 (25150)	81400 (23860)	77000 (22570)	72600 (21280)				
KMD180M8-B Compressor Model 4CES-9	30 (-1.1)		207400 (60780)	198200 (58090)	188800 (55330)	179600 (52640)	170200 (49880)	160800 (47130)				
	25 (-3.9)		189600 (55570)	181000 (53050)	172400 (50530)	164000 (48060)	155400 (45540)	146600 (42960)				
	20 (-6.7)		172600 (50580)	164800 (48300)	157000 (46010)	149200 (43730)	141200 (41380)	133400 (39100)				
	15 (-9.4)		156800 (45950)	149600 (43840)	142400 (41730)	135200 (39620)	128000 (37510)	120800 (35400)				
	10 (-12.2)		141800 (41560)	135200 (39620)	128800 (37750)	122200 (35810)	115600 (33880)	109000 (31940)				
	5 (-15)		127600 (37400)	121800 (35700)	115800 (33940)	110000 (32240)	104000 (30480)	98000 (28720)				
	0 (-17.8)		114400 (33530)	109200 (32000)	103800 (30420)	98600 (28900)	93200 (27310)	87800 (25730)				
KMD200M8-B Compressor Model 4VES-10	30 (-1.1)		227000 (66530)	216400 (63420)	205800 (60310)	195200 (57210)	184600 (54100)	174000 (50990)				
	25 (-3.9)		206400 (60490)	196600 (57620)	186800 (54750)	177200 (51930)	167400 (49060)	157800 (46250)				
	20 (-6.7)		187000 (54800)	178000 (52170)	169200 (49590)	160200 (46950)	151400 (44370)	142400 (41730)				
	15 (-9.4)		168800 (49470)	160600 (47070)	152600 (44720)	144400 (42320)	136200 (39920)	128200 (37570)				
	10 (-12.2)		151800 (44490)	144400 (42320)	137000 (40150)	129600 (37980)	122200 (35810)	114800 (33640)				
	5 (-15)		135800 (39800)	129000 (37810)	122400 (35870)	115600 (33880)	109000 (31940)	102400 (30010)				
	0 (-17.8)		120800 (35400)	114800 (33640)	108800 (31890)	102800 (30130)	96800 (28370)	90800 (26610)				
KMD240M8-B Compressor Model 4TES-12	30 (-1.1)		273400 (80130)	260800 (76430)	248400 (72800)	235800 (69110)	223200 (65410)	210600 (61720)				
	25 (-3.9)		249000 (72970)	237400 (69570)	225800 (66180)	214400 (62830)	202800 (59430)	191200 (56030)				
	20 (-6.7)		225800 (66180)	215200 (63070)	204600 (59960)	194200 (56910)	183600 (53810)	173000 (50700)				
	15 (-9.4)		204200 (59840)	194400 (56970)	184800 (54160)	175200 (51350)	165600 (48530)	156000 (45720)				
	10 (-12.2)		183800 (53870)	175000 (51290)	166200 (48710)	157400 (46130)	148800 (43610)	140000 (41030)				
	5 (-15)		164600 (48240)	156800 (45950)	148800 (43610)	141000 (41320)	133000 (38980)	125200 (36690)				
	0 (-17.8)		146800 (43020)	139800 (40970)	132600 (38860)	125600 (36810)	118400 (34700)	111400 (32650)				
KMD300M8-B Compressor Model 4PES-15	30 (-1.1)		308600 (90440)	293800 (86100)	279200 (81830)	264600 (77550)	250000 (73270)	235400 (68990)				
	25 (-3.9)		280800 (82290)	267200 (78310)	253800 (74380)	240400 (70450)	226800 (66470)	213400 (62540)				
	20 (-6.7)		254600 (74620)	242200 (70980)	229800 (67350)	217400 (63710)	205000 (60080)	192800 (56500)				
	15 (-9.4)		229800 (67350)	218600 (64070)	207200 (60720)	195800 (57380)	184600 (54100)	173400 (50820)				
	10 (-12.2)		206600 (60550)	196200 (57500)	186000 (54510)	175800 (51520)	165400 (48470)	155200 (45480)				
	5 (-15)		184800 (54160)	175400 (51400)	166200 (48710)	156800 (45950)	147600 (43260)	138400 (40560)				
	0 (-17.8)		164600 (48240)	156200 (45780)	147600 (43260)	139400 (40850)	131000 (38390)	122600 (35930)				
KMD400M8-B Compressor Model 4NES-20	30 (-1.1)		354400 (103860)	337800 (99000)	321200 (94130)	304600 (89270)	288000 (84400)	271600 (79600)				
	25 (-3.9)		323800 (94900)	308400 (90380)	293200 (85930)	278000 (81470)	262800 (77020)	247400 (72510)				
	20 (-6.7)		294600 (86340)	280600 (82240)	266600 (78130)	252800 (74090)	238800 (69990)	224800 (65880)				
	15 (-9.4)		267200 (78310)	254400 (74560)	241600 (70810)	228800 (67050)	216200 (63360)	203400 (59610)				
	10 (-12.2)		241400 (70750)	229600 (67290)	218000 (63890)	206400 (60490)	194800 (57090)	183400 (53750)				
	5 (-15)		217000 (63600)	206400 (60490)	196000 (57440)	185400 (54340)	175000 (51290)	164400 (48180)				
	0 (-17.8)		194200 (56910)	184600 (54100)	175200 (51350)	165800 (48590)	156400 (45840)	147000 (43080)				

CAPACITY DATA - R404A R507
LOW TEMPERATURE

MODEL KMD	SATURATED SUCTION TEMPERATURE		CAPACITY BTU/H (WATTS) R404A R507 AMBIENT TEMPERATURE °F (°C)									
	° F	° C	85 (29.4)	90 (32.2)	95 (35.0)	100 (37.8)	105 (40.6)	110 (43.3)				
KMD160L6-B Compressor Model 4TES-9	0	(-17.8)	132400 (38800)	125800 (36870)	119000 (34880)	112400 (32940)	105800 (31010)	99200 (29070)				
	-5	(-20.6)	118600 (34760)	112600 (33000)	106600 (31240)	100600 (29480)	94600 (27720)	88600 (25970)				
	-10	(-23.3)	105600 (30950)	100200 (29370)	94800 (27780)	89400 (26200)	84000 (24620)	78600 (23040)				
	-15	(-26.1)	93600 (27430)	88600 (25970)	83800 (24560)	78800 (23090)	74000 (21690)	69200 (20280)				
	-20	(-28.9)	82200 (24090)	77800 (22800)	73400 (21510)	69000 (20220)	64800 (18990)	60400 (17700)				
	-25	(-31.7)	71600 (20980)	67800 (19870)	63800 (18700)	60000 (17580)	56200 (16470)	52400 (15360)				
	-30	(-34.4)	61800 (18110)	58400 (17120)	55000 (16120)	51600 (15120)	48200 (14130)	44800 (13130)				
	-35	(-37.2)	52800 (15470)	49800 (14590)	46600 (13660)	43600 (12780)	40600 (11900)	37600 (11020)				
	-40	(-40.0)	44600 (13070)	41800 (12250)	39000 (11430)	36400 (10670)	33600 (9850)	31000 (9090)				
KMD200L6-B Compressor Model 4PES-12	0	(-17.8)	147000 (43080)	139200 (40800)	131400 (38510)	123600 (36220)	115800 (33940)	108200 (31710)				
	-5	(-20.6)	131600 (38570)	124400 (36460)	117200 (34350)	110200 (32300)	103200 (30240)	96200 (28190)				
	-10	(-23.3)	116800 (34230)	110400 (32350)	104000 (30480)	97600 (28600)	91200 (26730)	85000 (24910)				
	-15	(-26.1)	103200 (30240)	97400 (28550)	91600 (26850)	85800 (25150)	80200 (23500)	74400 (21800)				
	-20	(-28.9)	90200 (26430)	85000 (24910)	80000 (23450)	74800 (21920)	69600 (20400)	64600 (18930)				
	-25	(-31.7)	78400 (22980)	73600 (21570)	69000 (20220)	64400 (18870)	60000 (17580)	55400 (16240)				
	-30	(-34.4)	67200 (19690)	63000 (18460)	59000 (17290)	54800 (16060)	50800 (14890)	46800 (13720)				
	-35	(-37.2)	57000 (16700)	53400 (15650)	49600 (14540)	46000 (13480)	42400 (12430)	38800 (11370)				
	-40	(-40.0)	47600 (13950)	44400 (13010)	41000 (12020)	37800 (11080)	34600 (10140)	31400 (9200)				
KMD240L6-B Compressor Model 4NES-14	0	(-17.8)	178800 (52400)	169600 (49700)	160400 (47010)	151200 (44310)	142000 (41620)	132800 (38920)				
	-5	(-20.6)	160200 (46950)	152000 (44550)	143600 (42080)	135400 (39680)	127000 (37220)	118800 (34820)				
	-10	(-23.3)	142800 (41850)	135400 (39680)	127800 (37450)	120400 (35290)	112800 (33060)	105400 (30890)				
	-15	(-26.1)	126400 (37040)	119800 (35110)	113000 (33120)	106400 (31180)	99600 (29190)	93000 (27260)				
	-20	(-28.9)	111200 (32590)	105200 (30830)	99200 (29070)	93200 (27310)	87200 (25560)	81200 (23800)				
	-25	(-31.7)	97000 (28430)	91600 (26850)	86200 (25260)	81000 (23740)	75600 (22160)	70200 (20570)				
	-30	(-34.4)	83800 (24560)	79000 (23150)	74200 (21750)	69600 (20400)	64800 (18990)	60000 (17580)				
	-35	(-37.2)	71800 (21040)	67400 (19750)	63200 (18520)	59000 (17290)	54600 (16000)	50400 (14770)				
	-40	(-40.0)	60600 (17760)	56800 (16650)	53000 (15530)	49200 (14420)	45400 (13310)	41600 (12190)				
KMD260L6-B Compressor Model 4JE-15	0	(-17.8)	215600 (63190)	205400 (60200)	195000 (57150)	184600 (54100)	174200 (51050)	164000 (48060)				
	-5	(-20.6)	193600 (56740)	184200 (53980)	174800 (51230)	165400 (48470)	156000 (45720)	146600 (42960)				
	-10	(-23.3)	172800 (50640)	164200 (48120)	155800 (45660)	147400 (43200)	138800 (40680)	130400 (38220)				
	-15	(-26.1)	153200 (44900)	145600 (42670)	138000 (40440)	130400 (38220)	122600 (35930)	115000 (33700)				
	-20	(-28.9)	135000 (39560)	128000 (37510)	121200 (35520)	114400 (33530)	107600 (31530)	100800 (29540)				
	-25	(-31.7)	118000 (34580)	111800 (32770)	105600 (30950)	99600 (29190)	93400 (27370)	87400 (25610)				
	-30	(-34.4)	102200 (29950)	96600 (28310)	91200 (26730)	85600 (25090)	80200 (23500)	74800 (21920)				
	-35	(-37.2)	87400 (25610)	82400 (24150)	77600 (22740)	72600 (21280)	67800 (19870)	63000 (18460)				
	-40	(-40.0)	73800 (21630)	69400 (20340)	65000 (19050)	60600 (17760)	56200 (16470)	52000 (15240)				
KMD300L6-B Compressor Model 4HE-18	0	(-17.8)	246000 (72100)	234200 (68640)	222400 (65180)	210600 (61720)	198800 (58260)	187000 (54800)				
	-5	(-20.6)	221600 (64940)	211000 (61840)	200400 (58730)	189600 (55570)	179000 (52460)	168200 (49290)				
	-10	(-23.3)	198800 (58260)	189200 (55450)	179600 (52640)	170000 (49820)	160200 (46950)	150600 (44140)				
	-15	(-26.1)	177000 (51870)	168400 (49350)	159800 (46830)	151200 (44310)	142600 (41790)	134000 (39270)				
	-20	(-28.9)	156800 (45950)	149000 (43670)	141400 (41440)	133600 (39150)	125800 (36870)	118200 (34640)				
	-25	(-31.7)	137600 (40330)	130800 (38330)	124000 (36340)	117000 (34290)	110200 (32300)	103400 (30300)				
	-30	(-34.4)	119800 (35110)	113800 (33350)	107600 (31530)	101600 (29780)	95400 (27960)	89400 (26200)				
	-35	(-37.2)	103200 (30240)	97800 (28660)	92400 (27080)	87000 (25500)	81600 (23910)	76200 (22330)				
	-40	(-40.0)	87800 (25730)	83000 (24320)	78000 (22860)	73200 (21450)	68400 (20050)	63600 (18640)				
KMD400L6-B Compressor Model 4GE-23	0	(-17.8)	284600 (83410)	271200 (79480)	257800 (75550)	244200 (71570)	230600 (67580)	217000 (63600)				
	-5	(-20.6)	257200 (75380)	245200 (71860)	233000 (68290)	220800 (64710)	208400 (61080)	196200 (57500)				
	-10	(-23.3)	231200 (67760)	220400 (64590)	209400 (61370)	198600 (58200)	187600 (54980)	176400 (51700)				
	-15	(-26.1)	206600 (60550)	197000 (57730)	187200 (54860)	177400 (51990)	167600 (49120)	157800 (46250)				
	-20	(-28.9)	183600 (53810)	175000 (51290)	166200 (48710)	157600 (46190)	148800 (43610)	140000 (41030)				
	-25	(-31.7)	161800 (47420)	154200 (45190)	146400 (42910)	138800 (40680)	131000 (38390)	123400 (36160)				
	-30	(-34.4)	141600 (41500)	134800 (39510)	128000 (37510)	121200 (35520)	114400 (33530)	107600 (31530)				
	-35	(-37.2)	122600 (35930)	116600 (34170)	110600 (32410)	104600 (30660)	98600 (28900)	92600 (27140)				
	-40	(-40.0)	105000 (30770)	99600 (29190)	94200 (27610)	89000 (26080)	83600 (24500)	78400 (22980)				

MODEL KMS	COMPRESSOR MODEL NO.	POWER SUPPLY	COMPRESSOR		CONDENSER FAN MOTOR *			UNIT		
			RLA	LRA	QTY	WATTS	FLA	MCA	MOP	
KMS075H8-H	T3A-A	2DL3R78KE-TFC	208-230/3/60	31.6	169	1	780	3.6	43.1	70
	T4A-A	2DL3R78KE-TFD	460/3/60	13.9	85	1	780	1.7	19.1	30
	T5A-A	2DL3R78KE-TFE	575/3/60	13.2	67	1	780	1.4	17.9	30
KMS076H8-H	T3A-A	2DA3R89KE-TFC	208-230/3/60	32.0	169	1	780	3.6	43.6	70
	T4A-A	2DA3R89KE-TFD	460/3/60	14.1	85	1	780	1.7	19.3	30
	T5A-A	2DA3R89KE-TFE	575/3/60	13.3	67	1	780	1.4	18.0	30
KMS080H8-H	T3A-A	3DA3R10ME-TFC	208-230/3/60	41.0	215	2	1560	7.2	58.5	90
	T4A-A	3DA3R10ME-TFD	460/3/60	20.0	106	2	1560	3.4	28.4	45
	T5A-A	3DA3R10ME-TFE	575/3/60	16.5	84	2	1560	2.8	23.4	35
KMS100H8-H	T3A-A	3DB3R12ME-TFC	208-230/3/60	43.6	215	2	1560	7.2	61.7	100
	T4A-A	3DB3R12ME-TFD	460/3/60	20.0	106	2	1560	3.4	28.4	45
	T5A-A	3DB3R12ME-TFE	575/3/60	16.5	84	2	1560	2.8	23.4	35
KMS120H8-H	T3A-A	3DF3R15ME-TFC	208-230/3/60	48.1	275	2	1560	7.2	67.3	110
	T4A-A	3DF3R15ME-TFD	460/3/60	23.6	138	2	1560	3.4	32.9	50
KMS150H8-H	T3A-A	3DS3R17ME-TFC	208-230/3/60	59.6	275	2	1560	7.2	81.7	125
	T4A-A	3DS3R17ME-TFD	460/3/60	29.0	138	2	1560	3.4	39.7	60
	T5A-A	3DS3R17ME-TFE	575/3/60	23.6	110	2	1560	2.8	32.3	50
KMS200H8-H	T3A-A	4DANR18ME-TSK	208-230/3/60	72.1	308	2	1560	7.2	97.3	150
	T4A-A	4DANR18ME-TSK	460/3/60	36.1	154	2	1560	3.4	48.5	80
	T5A-A	4DANR18ME-TSE	575/3/60	30.7	135	2	1560	2.8	41.2	70
KMS075M8-H	T3A-A	2DL3R78KE-TFC	208-230/3/60	31.6	169	1	780	3.6	43.1	70
	T4A-A	2DL3R78KE-TFD	460/3/60	13.9	85	1	780	1.7	19.1	30
	T5A-A	2DL3R78KE-TFE	575/3/60	13.2	67	1	780	1.4	17.9	30
KMS076M8-H	T3A-A	2DA3R89KE-TFC	208-230/3/60	32.0	169	1	780	3.6	43.6	70
	T4A-A	2DA3R89KE-TFD	460/3/60	14.1	85	1	780	1.7	19.3	30
	T5A-A	2DA3R89KE-TFE	575/3/60	13.3	67	1	780	1.4	18.0	30
KMS080M8-H	T3A-A	3DA3R10ME-TFC	208-230/3/60	41.0	215	2	1560	7.2	58.5	90
	T4A-A	3DA3R10ME-TFD	460/3/60	20.0	106	2	1560	3.4	28.4	45
	T5A-A	3DA3R10ME-TFE	575/3/60	16.5	84	2	1560	2.8	23.4	35
KMS100M8-H	T3A-A	3DB3R12ME-TFC	208-230/3/60	43.6	215	2	1560	7.2	61.7	100
	T4A-A	3DB3R12ME-TFD	460/3/60	20.0	106	2	1560	3.4	28.4	45
	T5A-A	3DB3R12ME-TFE	575/3/60	16.5	84	2	1560	2.8	23.4	35
KMS120M8-H	T3A-A	3DF3R15ME-TFC	208-230/3/60	48.1	275	2	1560	7.2	67.3	110
	T4A-A	3DF3R15ME-TFD	460/3/60	23.6	138	2	1560	3.4	32.9	50
KMS150M8-H	T3A-A	3DS3R17ME-TFC	208-230/3/60	59.6	275	2	1560	7.2	81.7	125
	T4A-A	3DS3R17ME-TFD	460/3/60	29.0	138	2	1560	3.4	39.7	60
	T5A-A	3DS3R17ME-TFE	575/3/60	23.6	110	2	1560	2.8	32.3	50
KMS200M8-H	T3A-A	4DANR18ME-TSK	208-230/3/60	66.6	308	2	1560	7.2	90.5	150
	T4A-A	4DANR18ME-TSK	460/3/60	33.3	154	2	1560	3.4	45.0	70
	T5A-A	4DANR18ME-TSE	575/3/60	30.7	135	2	1560	2.8	41.2	70
KMS075L 6/8 -H	T3A-A	3DB3F33KE-TFC	208-230/3/60	30.7	161	1	780	3.6	42.0	70
	T4A-A	3DB3F33KE-TFD	460/3/60	15.7	83	1	780	1.7	21.3	35
	T5A-A	3DB3F33KE-TFE	575/3/60	11.0	67	1	780	1.4	15.2	25
KMS090L 6/8 -H	T3A-A	3DF3F40KE-TFC	208-230/3/60	37.0	215	1	780	3.6	49.9	80
	T4A-A	3DF3F40KE-TFD	460/3/60	16.7	106	1	780	1.7	22.6	35
	T5A-A	3DF3F40KE-TFE	575/3/60	15.7	84	1	780	1.4	21.0	35
KMS100L 6/8 -H	T3A-A	3DS3F46KE-TFC	208-230/3/60	41.4	215	2	1560	7.2	59.0	100
	T4A-A	3DS3F46KE-TFD	460/3/60	18.6	106	2	1560	3.4	26.7	45
	T5A-A	3DS3F46KE-TFE	575/3/60	16.2	84	2	1560	2.8	23.1	35
KMS120L 6/8 -H	T3A-A	4DANF47KE-TSK	208-230/3/60	45.0	220	2	1560	7.2	63.5	100
	T4A-A	4DANF47KE-TSK	460/3/60	22.5	110	2	1560	3.4	31.5	50
	T5A-A	4DANF47KE-TSE	575/3/60	17.6	106	2	1560	2.8	24.8	40
KMS130L 6/8 -H	T3A-A	4DBNF54KE-TSK	208-230/3/60	51.3	220	2	1560	7.2	71.3	120
	T4A-A	4DBNF54KE-TSK	460/3/60	25.6	110	2	1560	3.4	35.4	60
	T5A-A	4DBNF54KE-TSE	575/3/60	17.6	106	2	1560	2.8	24.8	40
KMS150L 6/8 -H	T3A-A	4DHNF63KE-TSK	208-230/3/60	52.6	278	2	1560	7.2	73.0	125
	T4A-A	4DHNF63KE-TSK	460/3/60	26.3	139	2	1560	3.4	36.3	60
	T5A-A	4DHNF63KE-TSE	575/3/60	20.9	113	2	1560	2.8	28.9	45
KMS220L 6/8 -H	T3A-A	4DJNF76KE-TSK	208-230/3/60	64.3	374	2	1560	7.2	87.6	150
	T4A-A	4DJNF76KE-TSK	460/3/60	32.1	187	2	1560	3.4	43.5	70
	T5A-A	4DJNF76KE-TSE	575/3/60	29.1	135	2	1560	2.8	39.2	60

* = Condenser fan motors are single phase motors

MODEL KMD	COMPRESSOR MODEL NO.	POWER SUPPLY	COMPRESSOR		CONDENSER FAN MOTOR *			UNIT		
			RLA	LRA	QTY	WATTS	FLA	MCA	MOP	
KMD150H8-H	T3A-A	2DL3R78KE-TFC	208-230/3/60	31.6	169	2	1560	7.2	78.3	100
	T4A-A	2DL3R78KE-TFD	460/3/60	13.9	85	2	1560	3.4	34.7	45
	T5A-A	2DL3R78KE-TFE	575/3//60	13.2	67	2	1560	2.8	32.5	45
KMD151H8-H	T3A-A	2DA3R89KE-TFC	208-230/3/60	32.0	169	2	1560	7.2	79.2	110
	T4A-A	2DA3R89KE-TFD	460/3/60	14.1	85	2	1560	3.4	35.1	45
	T5A-A	2DA3R89KE-TFE	575/3//60	13.3	67	2	1560	2.8	32.7	45
KMD160H8-H	T3A-A	3DA3R10ME-TFC	208-230/3/60	41.0	215	4	3120	14.4	106.7	125
	T4A-A	3DA3R10ME-TFD	460/3/60	20.0	106	4	3120	6.8	51.8	70
	T5A-A	3DA3R10ME-TFE	575/3//60	16.5	84	4	3120	5.6	42.7	55
KMD200H8-H	T3A-A	3DB3R12ME-TFC	208-230/3/60	43.6	215	4	3120	14.4	112.5	150
	T4A-A	3DB3R12ME-TFD	460/3/60	20.0	106	4	3120	6.8	51.8	70
	T5A-A	3DB3R12ME-TFE	575/3//60	16.5	84	4	3120	5.6	42.7	55
KMD240H8-H	T3A-A	3DF3R15ME-TFC	208-230/3/60	48.1	275	4	3120	14.4	122.6	150
	T4A-A	3DF3R15ME-TFD	460/3/60	23.6	138	4	3120	6.8	59.9	80
KMD300H8-H	T3A-A	3DS3R17ME-TFC	208-230/3/60	59.6	275	4	3120	14.4	148.5	200
	T4A-A	3DS3R17ME-TFD	460/3/60	29.0	138	4	3120	6.8	72.1	100
	T5A-A	3DS3R17ME-TFE	575/3//60	23.6	110	4	3120	5.6	58.7	80
KMD400H8-H	T3A-A	4DANR18ME-TSK	208-230/3/60	72.1	308	4	3120	14.4	176.6	225
	T4A-A	4DANR18ME-TSK	460/3/60	36.1	154	4	3120	6.8	88.0	120
	T5A-A	4DANR18ME-TSE	575/3//60	30.7	135	4	3120	5.6	74.7	100
KMD150M8-H	T3A-A	2DL3R78KE-TFC	208-230/3/60	31.6	169	2	1560	7.2	78.3	100
	T4A-A	2DL3R78KE-TFD	460/3/60	13.9	85	2	1560	3.4	34.7	45
	T5A-A	2DL3R78KE-TFE	575/3//60	13.2	67	2	1560	2.8	32.5	45
KMD151M8-H	T3A-A	2DA3R89KE-TFC	208-230/3/60	32.0	169	2	1560	7.2	79.2	110
	T4A-A	2DA3R89KE-TFD	460/3/60	14.1	85	2	1560	3.4	35.1	45
	T5A-A	2DA3R89KE-TFE	575/3//60	13.3	67	2	1560	2.8	32.7	45
KMD160M8-H	T3A-A	3DA3R10ME-TFC	208-230/3/60	41.0	215	4	3120	14.4	106.7	125
	T4A-A	3DA3R10ME-TFD	460/3/60	20.0	106	4	3120	6.8	51.8	70
	T5A-A	3DA3R10ME-TFE	575/3//60	16.5	84	4	3120	5.6	42.7	55
KMD200M8-H	T3A-A	3DB3R12ME-TFC	208-230/3/60	43.6	215	4	3120	14.4	112.5	150
	T4A-A	3DB3R12ME-TFD	460/3/60	20.0	106	4	3120	6.8	51.8	70
	T5A-A	3DB3R12ME-TFE	575/3//60	16.5	84	4	3120	5.6	42.7	55
KMD240M8-H	T3A-A	3DF3R15ME-TFC	208-230/3/60	48.1	275	4	3120	14.4	122.6	150
	T4A-A	3DF3R15ME-TFD	460/3/60	23.6	138	4	3120	6.8	59.9	80
KMD300M8-H	T3A-A	3DS3R17ME-TFC	208-230/3/60	59.6	275	4	3120	14.4	148.5	200
	T4A-A	3DS3R17ME-TFD	460/3/60	29.0	138	4	3120	6.8	72.1	100
	T5A-A	3DS3R17ME-TFE	575/3//60	23.6	110	4	3120	5.6	58.7	80
KMD400M8-H	T3A-A	4DANR18ME-TSK	208-230/3/60	66.6	308	4	3120	14.4	164.3	225
	T4A-A	4DANR18ME-TSK	460/3/60	33.3	154	4	3120	6.8	81.7	110
	T5A-A	4DANR18ME-TSE	575/3//60	30.7	135	4	3120	5.6	74.7	100
KMD150L 6/8 -H	T3A-A	3DB3F33KE-TFC	208-230/3/60	30.7	161	2	1560	7.2	76.3	100
	T4A-A	3DB3F33KE-TFD	460/3/60	15.7	83	2	1560	3.4	38.7	50
	T5A-A	3DB3F33KE-TFE	575/3//60	11.0	67	2	1560	2.8	27.6	35
KMD180L 6/8 -H	T3A-A	3DF3F40KE-TFC	208-230/3/60	37.0	215	2	1560	7.2	90.5	125
	T4A-A	3DF3F40KE-TFD	460/3/60	16.7	106	2	1560	3.4	41.0	55
	T5A-A	3DF3F40KE-TFE	575/3//60	15.7	84	2	1560	2.8	38.1	50
KMD200L 6/8 -H	T3A-A	3DS3F46KE-TFC	208-230/3/60	41.4	215	4	3120	14.4	107.6	125
	T4A-A	3DS3F46KE-TFD	460/3/60	18.6	106	4	3120	6.8	48.7	60
	T5A-A	3DS3F46KE-TFE	575/3//60	16.2	84	4	3120	5.6	42.1	55
KMD240L 6/8 -H	T3A-A	4DANF47KE-TSK	208-230/3/60	45.0	220	4	3120	14.4	115.7	150
	T4A-A	4DANF47KE-TSK	460/3/60	22.5	110	4	3120	6.8	57.4	70
	T5A-A	4DANF47KE-TSE	575/3//60	17.6	106	4	3120	5.6	45.2	60
KMD260L 6/8 -H	T3A-A	4DBNF54KE-TSK	208-230/3/60	51.3	220	4	3120	14.4	129.8	175
	T4A-A	4DBNF54KE-TSK	460/3/60	25.6	110	4	3120	6.8	64.4	90
	T5A-A	4DBNF54KE-TSE	575/3//60	17.6	106	4	3120	5.6	45.2	60
KMD300L 6/8 -H	T3A-A	4DHNF63KE-TSK	208-230/3/60	52.6	278	4	3120	14.4	132.8	175
	T4A-A	4DHNF63KE-TSK	460/3/60	26.3	139	4	3120	6.8	66.0	90
	T5A-A	4DHNF63KE-TSE	575/3//60	20.9	113	4	3120	5.6	52.6	70
KMD440L 6/8 -H	T3A-A	4DJNF76KE-TSK	208-230/3/60	64.3	374	4	3120	14.4	159.1	200
	T4A-A	4DJNF76KE-TSK	460/3/60	32.1	187	4	3120	6.8	79.0	110
	T5A-A	4DJNF76KE-TSE	575/3//60	29.1	135	4	3120	5.6	71.1	100

* = Condenser fan motors are single phase motors

MODEL KMS	COMPRESSOR MODEL NO.	POWER SUPPLY	COMPRESSOR		CONDENSER FAN MOTOR *			UNIT		
			RLA	LRA	QTY	WATTS	FLA	MCA	MOP	
KMS060H8-H	T3A-B	4EES-6-2DU-Y	208-230/3/60	34.6	163	1	780	3.6	46.9	80
	T4A-B	4EES-6-4SU-Y	460/3/60	14.9	67	1	780	1.7	20.3	35
	T5A-B	4EES-6-5SU-Y	575/3//60	10.5	48	1	780	1.4	14.5	25
KMS075H8-H	T3A-B	4DES-7-2DU-Y	208-230/3/60	38.1	215	1	780	3.6	51.2	80
	T4A-B	4DES-7-4SU-Y	460/3/60	17.0	88	1	780	1.7	23.0	35
	T5A-B	4DES-7-5SU-Y	575/3//60	12.3	64	1	780	1.4	16.8	25
KMS090H8-H	T3A-B	4CES-9-2DU-Y	208-230/3/60	42.1	215	2	1560	7.2	59.8	100
	T4A-B	4CES-9-4SU-Y	460/3/60	19.0	88	2	1560	3.4	27.2	45
	T5A-B	4CES-9-5SU-Y	575/3//60	15.2	64	2	1560	2.8	21.8	35
KMS100H8-H	T3A-B	4VES-10-2NU-Y	208-230/3/60	47.4	222	2	1560	7.2	66.5	110
	T4A-B	4VES-10-2NU-Y	460/3/60	21.4	111	2	1560	3.4	30.2	50
	T5A-B	4VES-10-5PU-Y	575/3//60	17.1	89	2	1560	2.8	24.2	40
KMS120H8-H	T3A-B	4TES-12-2NU-Y	208-230/3/60	52.1	252	2	1560	7.2	72.3	110
	T4A-B	4TES-12-2NU-Y	460/3/60	23.6	126	2	1560	3.4	32.9	50
	T5A-B	4TES-12-5PU-Y	575/3//60	18.9	101	2	1560	2.8	26.4	45
KMS150H8-H	T3A-B	4PES-15-2NU-Y	208-230/3/60	60.0	294	2	1560	7.2	82.2	125
	T4A-B	4PES-15-2NU-Y	460/3/60	27.1	147	2	1560	3.4	37.3	60
	T5A-B	4PES-15-5PU-Y	575/3//60	21.8	117	2	1560	2.8	30.1	50
KMS200H8-H	T3A-B	4NES-20-2NU-Y	208-230/3/60	71.1	352	2	1560	7.2	96.1	150
	T4A-B	4NES-20-2NU-Y	460/3/60	32.1	176	2	1560	3.4	43.5	70
	T5A-B	4NES-20-5PU-Y	575/3//60	26.3	140	2	1560	2.8	35.7	60
KMS060H8-H	T3A-B	4EES-6-2DU-Y	208-230/3/60	34.6	163	1	780	3.6	46.9	80
	T4A-B	4EES-6-4SU-Y	460/3/60	14.9	67	1	780	1.7	20.3	35
	T5A-B	4EES-6-5SU-Y	575/3//60	10.5	48	1	780	1.4	14.5	25
KMS075H8-H	T3A-B	4DES-7-2DU-Y	208-230/3/60	38.1	215	1	780	3.6	51.2	80
	T4A-B	4DES-7-4SU-Y	460/3/60	17.0	88	1	780	1.7	23.0	35
	T5A-B	4DES-7-5SU-Y	575/3//60	12.3	64	1	780	1.4	16.8	25
KMS090H8-H	T3A-B	4CES-9-2DU-Y	208-230/3/60	42.1	215	2	1560	7.2	59.8	100
	T4A-B	4CES-9-4SU-Y	460/3/60	19.0	88	2	1560	3.4	27.2	45
	T5A-B	4CES-9-5SU-Y	575/3//60	15.2	64	2	1560	2.8	21.8	35
KMS100H8-H	T3A-B	4VES-10-2NU-Y	208-230/3/60	47.4	222	2	1560	7.2	66.5	110
	T4A-B	4VES-10-2NU-Y	460/3/60	21.4	111	2	1560	3.4	30.2	50
	T5A-B	4VES-10-5PU-Y	575/3//60	17.1	89	2	1560	2.8	24.2	40
KMS120H8-H	T3A-B	4TES-12-2NU-Y	208-230/3/60	52.1	252	2	1560	7.2	72.3	110
	T4A-B	4TES-12-2NU-Y	460/3/60	23.6	126	2	1560	3.4	32.9	50
	T5A-B	4TES-12-5PU-Y	575/3//60	18.9	101	2	1560	2.8	26.4	45
KMS150H8-H	T3A-B	4PES-15-2NU-Y	208-230/3/60	60.0	294	2	1560	7.2	82.2	125
	T4A-B	4PES-15-2NU-Y	460/3/60	27.1	147	2	1560	3.4	37.3	60
	T5A-B	4PES-15-5PU-Y	575/3//60	21.8	117	2	1560	2.8	30.1	50
KMS200H8-H	T3A-B	4NES-20-2NU-Y	208-230/3/60	71.1	352	2	1560	7.2	96.1	150
	T4A-B	4NES-20-2NU-Y	460/3/60	32.1	176	2	1560	3.4	43.5	70
	T5A-B	4NES-20-5PU-Y	575/3//60	26.3	140	2	1560	2.8	35.7	60
KMS080L 6/8 -H	T3A-B	4TES-9-2NU-Y	208-230/3/60	34.8	180	1	780	3.6	47.1	80
	T4A-B	4TES-9-2NU-Y	460/3/60	15.7	90	1	780	1.7	21.3	35
	T5A-B	4TES-9-5PU-Y	575/3//60	13.6	72	1	780	1.4	18.4	30
KMS100L 6/8 -H	T3A-B	4PES-12-2NU-Y	208-230/3/60	42.7	222	1	780	3.6	57.0	90
	T4A-B	4PES-12-2NU-Y	460/3/60	19.3	111	1	780	1.7	25.8	45
	T5A-B	4PES-12-5PU-Y	575/3//60	16.0	89	1	780	1.4	21.4	35
KMS120L 6/8 -H	T3A-B	4NES-14-2NU-Y	208-230/3/60	49.0	252	2	1560	7.2	68.5	110
	T4A-B	4NES-14-2NU-Y	460/3/60	22.1	126	2	1560	3.4	31.0	50
	T5A-B	4NES-14-5PU-Y	575/3//60	17.7	101	2	1560	2.8	24.9	40
KMS130L 6/8 -H	T3A-B	4JE-15-2NU-Y	208-230/3/60	61.6	352	2	1560	7.2	84.2	125
	T4A-B	4JE-15-2NU-Y	460/3/60	27.9	176	2	1560	3.4	38.3	60
	T5A-B	4JE-15-5PU-Y	575/3//60	22.3	140	2	1560	2.8	30.7	50
KMS150L 6/8 -H	T3A-B	4HE-18-2NU-Y	208-230/3/60	66.7	352	2	1560	7.2	90.6	150
	T4A-B	4HE-18-2NU-Y	460/3/60	30.1	176	2	1560	3.4	41.0	70
	T5A-B	4HE-18-5PU-Y	575/3//60	24.1	140	2	1560	2.8	32.9	50
KMS220L 6/8 -H	T3A-B	4GE-23-2NU-Y	208-230/3/60	71.1	352	2	1560	7.2	96.1	150
	T4A-B	4GE-23-2NU-Y	460/3/60	32.1	176	2	1560	3.4	43.5	70
	T5A-B	4GE-23-5PU-Y	575/3//60	25.7	140	2	1560	2.8	34.9	60

* = Condenser fan motors are single phase motors

MODEL KMD	COMPRESSOR MODEL NO.	POWER SUPPLY	COMPRESSOR		CONDENSER FAN MOTOR *			UNIT		
			RLA	LRA	QTY	HP	FLA	MCA	MOP	
KMD120H8-H	T3A-B	4EES-6-2DU-Y	208-230/3/60	34.6	163	2	1560	7.2	85.1	110
	T4A-B	4EES-6-4SU-Y	460/3/60	14.9	67	2	1560	3.4	36.9	50
	T5A-B	4EES-6-5SU-Y	575/3//60	10.5	48	2	1560	2.8	26.4	35
KMD150H8-H	T3A-B	4DES-7-2DU-Y	208-230/3/60	38.1	215	2	1560	7.2	92.9	125
	T4A-B	4DES-7-4SU-Y	460/3/60	17.0	88	2	1560	3.4	41.7	50
	T5A-B	4DES-7-5SU-Y	575/3//60	12.3	64	2	1560	2.8	30.5	40
KMD180H8-H	T3A-B	4CES-9-2DU-Y	208-230/3/60	42.1	215	4	3120	14.4	109.1	150
	T4A-B	4CES-9-4SU-Y	460/3/60	19.0	88	4	3120	6.8	49.6	60
	T5A-B	4CES-9-5SU-Y	575/3//60	15.2	64	4	3120	5.6	39.8	50
KMD200H8-H	T3A-B	4VES-10-2NU-Y	208-230/3/60	47.4	222	4	3120	14.4	121.1	150
	T4A-B	4VES-10-2NU-Y	460/3/60	21.4	111	4	3120	6.8	55.0	70
	T5A-B	4VES-10-5PU-Y	575/3//60	17.1	89	4	3120	5.6	44.1	60
KMD240H8-H	T3A-B	4TES-12-2NU-Y	208-230/3/60	52.1	252	4	3120	14.4	131.6	175
	T4A-B	4TES-12-2NU-Y	460/3/60	23.6	126	4	3120	6.8	59.9	80
	T5A-B	4TES-12-5PU-Y	575/3//60	18.9	101	4	3120	5.6	48.1	60
KMD300H8-H	T3A-B	4PES-15-2NU-Y	208-230/3/60	60.0	294	4	3120	14.4	149.4	200
	T4A-B	4PES-15-2NU-Y	460/3/60	27.1	147	4	3120	6.8	67.8	90
	T5A-B	4PES-15-5PU-Y	575/3//60	21.8	117	4	3120	5.6	54.7	70
KMD400H8-H	T3A-B	4NES-20-2NU-Y	208-230/3/60	71.1	352	4	3120	14.4	174.4	225
	T4A-B	4NES-20-2NU-Y	460/3/60	32.1	176	4	3120	6.8	79.0	110
	T5A-B	4NES-20-5PU-Y	575/3//60	26.3	140	4	3120	5.6	64.8	90
KMD120H8-H	T3A-B	4EES-6-2DU-Y	208-230/3/60	34.6	163	2	1560	7.2	85.1	110
	T4A-B	4EES-6-4SU-Y	460/3/60	14.9	67	2	1560	3.4	36.9	50
	T5A-B	4EES-6-5SU-Y	575/3//60	10.5	48	2	1560	2.8	26.4	35
KMD150H8-H	T3A-B	4DES-7-2DU-Y	208-230/3/60	38.1	215	2	1560	7.2	92.9	125
	T4A-B	4DES-7-4SU-Y	460/3/60	17.0	88	2	1560	3.4	41.7	50
	T5A-B	4DES-7-5SU-Y	575/3//60	12.3	64	2	1560	2.8	30.5	40
KMD180H8-H	T3A-B	4CES-9-2DU-Y	208-230/3/60	42.1	215	4	3120	14.4	109.1	150
	T4A-B	4CES-9-4SU-Y	460/3/60	19.0	88	4	3120	6.8	49.6	60
	T5A-B	4CES-9-5SU-Y	575/3//60	15.2	64	4	3120	5.6	39.8	50
KMD200H8-H	T3A-B	4VES-10-2NU-Y	208-230/3/60	47.4	222	4	3120	14.4	121.1	150
	T4A-B	4VES-10-2NU-Y	460/3/60	21.4	111	4	3120	6.8	55.0	70
	T5A-B	4VES-10-5PU-Y	575/3//60	17.1	89	4	3120	5.6	44.1	60
KMD240H8-H	T3A-B	4TES-12-2NU-Y	208-230/3/60	52.1	252	4	3120	14.4	131.6	175
	T4A-B	4TES-12-2NU-Y	460/3/60	23.6	126	4	3120	6.8	59.9	80
	T5A-B	4TES-12-5PU-Y	575/3//60	18.9	101	4	3120	5.6	48.1	60
KMD300H8-H	T3A-B	4PES-15-2NU-Y	208-230/3/60	60.0	294	4	3120	14.4	149.4	200
	T4A-B	4PES-15-2NU-Y	460/3/60	27.1	147	4	3120	6.8	67.8	90
	T5A-B	4PES-15-5PU-Y	575/3//60	21.8	117	4	3120	5.6	54.7	70
KMD400H8-H	T3A-B	4NES-20-2NU-Y	208-230/3/60	71.1	352	4	3120	14.4	174.4	225
	T4A-B	4NES-20-2NU-Y	460/3/60	32.1	176	4	3120	6.8	79.0	110
	T5A-B	4NES-20-5PU-Y	575/3//60	26.3	140	4	3120	5.6	64.8	90
KMD160L 6/8 -H	T3A-B	4TES-9-2NU-Y	208-230/3/60	34.8	180	2	1560	7.2	85.5	110
	T4A-B	4TES-9-2NU-Y	460/3/60	15.7	90	2	1560	3.4	38.7	50
	T5A-B	4TES-9-5PU-Y	575/3//60	13.6	72	2	1560	2.8	33.4	45
KMD200L 6/8 -H	T3A-B	4PES-12-2NU-Y	208-230/3/60	42.7	222	2	1560	7.2	103.3	125
	T4A-B	4PES-12-2NU-Y	460/3/60	19.3	111	2	1560	3.4	46.8	60
	T5A-B	4PES-12-5PU-Y	575/3//60	16.0	89	2	1560	2.8	38.8	50
KMD240L 6/8 -H	T3A-B	4NES-14-2NU-Y	208-230/3/60	49.0	252	4	3120	14.4	124.7	150
	T4A-B	4NES-14-2NU-Y	460/3/60	22.1	126	4	3120	6.8	56.5	70
	T5A-B	4NES-14-5PU-Y	575/3//60	17.7	101	4	3120	5.6	45.4	60
KMD260L 6/8 -H	T3A-B	4JE-15-2NU-Y	208-230/3/60	61.6	352	4	3120	14.4	153.0	200
	T4A-B	4JE-15-2NU-Y	460/3/60	27.9	176	4	3120	6.8	69.6	90
	T5A-B	4JE-15-5PU-Y	575/3//60	22.3	140	4	3120	5.6	55.8	70
KMD300L 6/8 -H	T3A-B	4HE-18-2NU-Y	208-230/3/60	66.7	352	4	3120	14.4	164.5	225
	T4A-B	4HE-18-2NU-Y	460/3/60	30.1	176	4	3120	6.8	74.5	100
	T5A-B	4HE-18-5PU-Y	575/3//60	24.1	140	4	3120	5.6	59.8	80
KMD440L 6/8 -H	T3A-B	4GE-23-2NU-Y	208-230/3/60	71.1	352	4	3120	14.4	174.4	225
	T4A-B	4GE-23-2NU-Y	460/3/60	32.1	176	4	3120	6.8	79.0	110
	T5A-B	4GE-23-5PU-Y	575/3//60	25.7	140	4	3120	5.6	63.4	80

* = Condenser fan motors are single phase motors

MODEL KMS	COMPRESSOR MODEL NO.	POWER SUPPLY	COMPRESSOR		CONDENSER FAN MOTOR *			UNIT		
			RLA	LRA	QTY	WATTS	FLA	MCA	MOP	
KMS075H8-	HT3A-A	2DL3R78KE-TFC	208-230/3/60	31.6	169	1	590	5.0	44.5	70
	HT4A-A	2DL3R78KE-TFD	460/3/60	13.9	85	1	590	2.5	19.9	30
	HT5A-A	2DL3R78KE-TFE	575/3//60	13.2	67	1	590	2.0	18.5	30
KMS076H8-	HT3A-A	2DA3R89KE-TFC	208-230/3/60	32.0	169	1	590	5.0	45.0	70
	HT4A-A	2DA3R89KE-TFD	460/3/60	14.1	85	1	590	2.5	20.1	30
	HT5A-A	2DA3R89KE-TFE	575/3//60	13.3	67	1	590	2.0	18.6	30
KMS080H8-	HT3A-A	3DA3R10ME-TFC	208-230/3/60	41.0	215	2	1180	10.0	61.3	100
	HT4A-A	3DA3R10ME-TFD	460/3/60	20.0	106	2	1180	5.0	30.0	50
	HT5A-A	3DA3R10ME-TFE	575/3//60	16.5	84	2	1180	4.0	24.5	40
KMS100H8-	HT3A-A	3DB3R12ME-TFC	208-230/3/60	43.6	215	2	1180	10.0	64.5	100
	HT4A-A	3DB3R12ME-TFD	460/3/60	20.0	106	2	1180	5.0	30.0	50
	HT5A-A	3DB3R12ME-TFE	575/3//60	16.5	84	2	1180	4.0	24.6	40
KMS120H8-	HT3A-A	3DF3R15ME-TFC	208-230/3/60	48.1	275	2	1180	10.0	70.1	110
	HT4A-A	3DF3R15ME-TFD	460/3/60	23.6	138	2	1180	5.0	34.5	50
KMS150H8-	HT3A-A	3DS3R17ME-TFC	208-230/3/60	59.6	275	2	1180	10.0	84.5	125
	HT4A-A	3DS3R17ME-TFD	460/3/60	29.0	138	2	1180	5.0	41.3	70
	HT5A-A	3DS3R17ME-TFE	575/3//60	23.6	110	2	1180	4.0	33.5	50
KMS200H8-	HT3A-A	4DANR18ME-TSK	208-230/3/60	72.1	308	2	1180	10.0	100.1	150
	HT4A-A	4DANR18ME-TSK	460/3/60	36.1	154	2	1180	5.0	50.1	80
	HT5A-A	4DANR18ME-TSE	575/3//60	30.7	135	2	1180	4.0	42.4	70
KMS075M8-	HT3A-A	2DL3R78KE-TFC	208-230/3/60	31.6	169	1	590	5.0	44.5	70
	HT4A-A	2DL3R78KE-TFD	460/3/60	13.9	85	1	590	2.5	19.9	30
	HT5A-A	2DL3R78KE-TFE	575/3//60	13.2	67	1	590	2.0	18.5	30
KMS076M8-	HT3A-A	2DA3R89KE-TFC	208-230/3/60	32.0	169	1	590	5.0	45.0	70
	HT4A-A	2DA3R89KE-TFD	460/3/60	14.1	85	1	590	2.5	20.1	30
	HT5A-A	2DA3R89KE-TFE	575/3//60	13.3	67	1	590	2.0	18.6	30
KMS080M8-	HT3A-A	3DA3R10ME-TFC	208-230/3/60	41.0	215	2	1180	10.0	61.3	100
	HT4A-A	3DA3R10ME-TFD	460/3/60	20.0	106	2	1180	5.0	30.0	50
	HT5A-A	3DA3R10ME-TFE	575/3//60	16.5	84	2	1180	4.0	24.5	40
KMS100M8-	HT3A-A	3DB3R12ME-TFC	208-230/3/60	43.6	215	2	1180	10.0	64.5	100
	HT4A-A	3DB3R12ME-TFD	460/3/60	20.0	106	2	1180	5.0	30.0	50
	HT5A-A	3DB3R12ME-TFE	575/3//60	16.5	84	2	1180	4.0	24.6	40
KMS120M8-	HT3A-A	3DF3R15ME-TFC	208-230/3/60	48.1	275	2	1180	10.0	70.1	110
	HT4A-A	3DF3R15ME-TFD	460/3/60	23.6	138	2	1180	5.0	34.5	50
KMS150M8-	HT3A-A	3DS3R17ME-TFC	208-230/3/60	59.6	275	2	1180	10.0	84.5	125
	HT4A-A	3DS3R17ME-TFD	460/3/60	29.0	138	2	1180	5.0	41.3	70
	HT5A-A	3DS3R17ME-TFE	575/3//60	23.6	110	2	1180	4.0	33.5	50
KMS200M8-	HT3A-A	4DANR18ME-TSK	208-230/3/60	66.6	308	2	1180	10.0	93.3	150
	HT4A-A	4DANR18ME-TSK	460/3/60	33.3	154	2	1180	5.0	46.6	70
	HT5A-A	4DANR18ME-TSE	575/3//60	30.7	135	2	1180	4.0	34.9	50
KMS075L 6/8 -	HT3A-A	3DB3F33KE-TFC	208-230/3/60	30.7	161	1	590	5.0	43.4	70
	HT4A-A	3DB3F33KE-TFD	460/3/60	15.7	83	1	590	2.5	22.1	35
	HT5A-A	3DB3F33KE-TFE	575/3//60	11.0	67	1	590	2.0	15.8	25
KMS090L 6/8 -	HT3A-A	3DF3F40KE-TFC	208-230/3/60	37.0	215	1	590	5.0	51.3	80
	HT4A-A	3DF3F40KE-TFD	460/3/60	16.7	106	1	590	2.5	23.4	40
	HT5A-A	3DF3F40KE-TFE	575/3//60	15.7	84	1	590	2.0	21.6	35
KMS100L 6/8 -	HT3A-A	3DS3F46KE-TFC	208-230/3/60	41.4	215	2	1180	10.0	61.8	100
	HT4A-A	3DS3F46KE-TFD	460/3/60	18.6	106	2	1180	5.0	28.3	45
	HT5A-A	3DS3F46KE-TFE	575/3//60	16.2	84	2	1180	4.0	24.3	40
KMS120L 6/8 -	HT3A-A	4DANF47KE-TSK	208-230/3/60	45.0	220	2	1180	10.0	66.3	110
	HT4A-A	4DANF47KE-TSK	460/3/60	22.5	110	2	1180	5.0	33.1	50
	HT5A-A	4DANF47KE-TSE	575/3//60	17.6	106	2	1180	4.0	26.0	40
KMS130L 6/8 -	HT3A-A	4DBNF54KE-TSK	208-230/3/60	51.3	220	2	1180	10.0	74.1	125
	HT4A-A	4DBNF54KE-TSK	460/3/60	25.6	110	2	1180	5.0	37.0	60
	HT5A-A	4DBNF54KE-TSE	575/3//60	17.6	106	2	1180	4.0	26.0	40
KMS150L 6/8 -	HT3A-A	4DHNF63KE-TSK	208-230/3/60	52.6	278	2	1180	10.0	75.8	125
	HT4A-A	4DHNF63KE-TSK	460/3/60	26.3	139	2	1180	5.0	37.9	60
	HT5A-A	4DHNF63KE-TSE	575/3//60	20.9	113	2	1180	4.0	30.1	50
KMS220L 6/8 -	HT3A-A	4DJNF76KE-TSK	208-230/3/60	64.3	374	2	1180	10.0	90.4	150
	HT4A-A	4DJNF76KE-TSK	460/3/60	32.1	187	2	1180	5.0	45.1	70
	HT5A-A	4DJNF76KE-TSE	575/3//60	29.1	135	2	1180	4.0	40.4	60

* = 575V units use a 230V motor with a transformer

MODEL KMD	COMPRESSOR MODEL NO.	POWER SUPPLY	COMPRESSOR		CONDENSER FAN MOTOR *			UNIT		
			RLA	LRA	QTY	WATTS	FLA	MCA	MOP	
KMD150H8-	HT3A-A	2DL3R78KE-TFC	208-230/3/60	31.6	169	2	1180	10.0	81.1	110
	HT4A-A	2DL3R78KE-TFD	460/3/60	13.9	85	2	1180	5.0	36.3	50
	HT5A-A	2DL3R78KE-TFE	575/3//60	13.2	67	2	1180	4.0	33.7	45
KMD151H8-	HT3A-A	2DA3R89KE-TFC	208-230/3/60	32.0	169	2	1180	10.0	82.0	110
	HT4A-A	2DA3R89KE-TFD	460/3/60	14.1	85	2	1180	5.0	36.7	50
	HT5A-A	2DA3R89KE-TFE	575/3//60	13.3	67	2	1180	4.0	33.9	45
KMD160H8-	HT3A-A	3DA3R10ME-TFC	208-230/3/60	41.0	215	4	2360	20.0	112.3	150
	HT4A-A	3DA3R10ME-TFD	460/3/60	20.0	106	4	2360	10.0	55.0	70
	HT5A-A	3DA3R10ME-TFE	575/3//60	16.5	84	4	2360	8.0	44.9	60
KMD200H8-	HT3A-A	3DB3R12ME-TFC	208-230/3/60	43.6	215	4	2360	20.0	118.1	150
	HT4A-A	3DB3R12ME-TFD	460/3/60	20.0	106	4	2360	10.0	55.0	70
	HT5A-A	3DB3R12ME-TFE	575/3//60	16.5	84	4	2360	8.0	45.1	60
KMD240H8-	HT3A-A	3DF3R15ME-TFC	208-230/3/60	48.1	275	4	2360	20.0	128.2	175
	HT4A-A	3DF3R15ME-TFD	460/3/60	23.6	138	4	2360	10.0	63.1	80
KMD300H8-	HT3A-A	3DS3R17ME-TFC	208-230/3/60	59.6	275	4	2360	20.0	154.1	200
	HT4A-A	3DS3R17ME-TFD	460/3/60	29.0	138	4	2360	10.0	75.3	100
	HT5A-A	3DS3R17ME-TFE	575/3//60	23.6	110	4	2360	8.0	61.1	80
KMD400H8-	HT3A-A	4DANR18ME-TSK	208-230/3/60	72.1	308	4	2360	20.0	182.2	250
	HT4A-A	4DANR18ME-TSK	460/3/60	36.1	154	4	2360	10.0	91.2	125
	HT5A-A	4DANR18ME-TSE	575/3//60	30.7	135	4	2360	8.0	77.1	100
KMD150M8-	HT3A-A	2DL3R78KE-TFC	208-230/3/60	31.6	169	2	1180	10.0	81.1	110
	HT4A-A	2DL3R78KE-TFD	460/3/60	13.9	85	2	1180	5.0	36.3	50
	HT5A-A	2DL3R78KE-TFE	575/3//60	13.2	67	2	1180	4.0	33.7	45
KMD151M8-	HT3A-A	2DA3R89KE-TFC	208-230/3/60	32.0	169	2	1180	10.0	82.0	110
	HT4A-A	2DA3R89KE-TFD	460/3/60	14.1	85	2	1180	5.0	36.7	50
	HT5A-A	2DA3R89KE-TFE	575/3//60	13.3	67	2	1180	4.0	33.9	45
KMD160M8-	HT3A-A	3DA3R10ME-TFC	208-230/3/60	41.0	215	4	2360	20.0	112.3	150
	HT4A-A	3DA3R10ME-TFD	460/3/60	20.0	106	4	2360	10.0	55.0	70
	HT5A-A	3DA3R10ME-TFE	575/3//60	16.5	84	4	2360	8.0	44.9	60
KMD200M8-	HT3A-A	3DB3R12ME-TFC	208-230/3/60	43.6	215	4	2360	20.0	118.1	150
	HT4A-A	3DB3R12ME-TFD	460/3/60	20.0	106	4	2360	10.0	55.0	70
	HT5A-A	3DB3R12ME-TFE	575/3//60	16.5	84	4	2360	8.0	45.1	60
KMD240M8-	HT3A-A	3DF3R15ME-TFC	208-230/3/60	48.1	275	4	2360	20.0	128.2	175
	HT4A-A	3DF3R15ME-TFD	460/3/60	23.6	138	4	2360	10.0	63.1	80
KMD300M8-	HT3A-A	3DS3R17ME-TFC	208-230/3/60	59.6	275	4	2360	20.0	154.1	200
	HT4A-A	3DS3R17ME-TFD	460/3/60	29.0	138	4	2360	10.0	75.3	100
	HT5A-A	3DS3R17ME-TFE	575/3//60	23.6	110	4	2360	8.0	61.1	80
KMD400M8-	HT3A-A	4DANR18ME-TSK	208-230/3/60	66.6	308	4	2360	20.0	169.9	225
	HT4A-A	4DANR18ME-TSK	460/3/60	33.3	154	4	2360	10.0	84.9	110
	HT5A-A	4DANR18ME-TSE	575/3//60	30.7	135	4	2360	8.0	63.6	80
KMD150L 6/8 -	HT3A-A	3DB3F33KE-TFC	208-230/3/60	30.7	161	2	1180	10.0	79.1	100
	HT4A-A	3DB3F33KE-TFD	460/3/60	15.7	83	2	1180	5.0	40.3	55
	HT5A-A	3DB3F33KE-TFE	575/3//60	11.0	67	2	1180	4.0	28.8	35
KMD180L 6/8 -	HT3A-A	3DF3F40KE-TFC	208-230/3/60	37.0	215	2	1180	10.0	93.3	125
	HT4A-A	3DF3F40KE-TFD	460/3/60	16.7	106	2	1180	5.0	42.6	55
	HT5A-A	3DF3F40KE-TFE	575/3//60	15.7	84	2	1180	4.0	39.3	55
KMD200L 6/8 -	HT3A-A	3DS3F46KE-TFC	208-230/3/60	41.4	215	4	2360	20.0	113.2	150
	HT4A-A	3DS3F46KE-TFD	460/3/60	18.6	106	4	2360	10.0	51.9	70
	HT5A-A	3DS3F46KE-TFE	575/3//60	16.2	84	4	2360	8.0	44.5	60
KMD240L 6/8 -	HT3A-A	4DANF47KE-TSK	208-230/3/60	45.0	220	4	2360	20.0	121.3	150
	HT4A-A	4DANF47KE-TSK	460/3/60	22.5	110	4	2360	10.0	60.6	80
	HT5A-A	4DANF47KE-TSE	575/3//60	17.6	106	4	2360	8.0	47.6	60
KMD260L 6/8 -	HT3A-A	4DBNF54KE-TSK	208-230/3/60	51.3	220	4	2360	20.0	135.4	175
	HT4A-A	4DBNF54KE-TSK	460/3/60	25.6	110	4	2360	10.0	67.6	90
	HT5A-A	4DBNF54KE-TSE	575/3//60	20.9	113	4	2360	8.0	47.6	60
KMD300L 6/8 -	HT3A-A	4DHNF63KE-TSK	208-230/3/60	52.6	278	4	2360	20.0	138.4	175
	HT4A-A	4DHNF63KE-TSK	460/3/60	26.3	139	4	2360	10.0	69.2	90
	HT5A-A	4DHNF63KE-TSE	575/3//60	17.6	106	4	2360	8.0	55.0	70
KMD440L 6/8 -	HT3A-A	4DJNF76KE-TSK	208-230/3/60	64.3	374	4	2360	20.0	164.7	225
	HT4A-A	4DJNF76KE-TSK	460/3/60	32.1	187	4	2360	10.0	82.2	110
	HT5A-A	4DJNF76KE-TSE	575/3//60	29.1	135	4	2360	8.0	73.5	100

* = 575V units use a 230V motor with a transformer

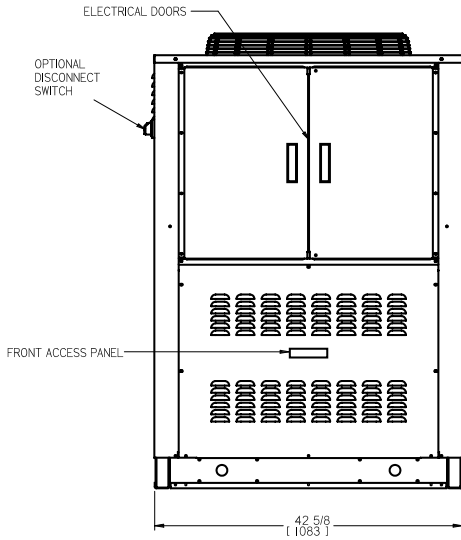
MODEL KMS	COMPRESSOR MODEL NO.	POWER SUPPLY	COMPRESSOR		CONDENSER FAN MOTOR *			UNIT		
			RLA	LRA	QTY	WATTS	FLA	MCA	MOP	
KMS060H8-H	T3A-B	4EES-6-2DU-Y	208-230/3/60	34.6	163	1	590	5.0	48.3	80
	T4A-B	4EES-6-4SU-Y	460/3/60	14.9	67	1	590	2.5	21.1	35
	T5A-B	4EES-6-5SU-Y	575/3/60	10.5	48	1	590	2.0	15.1	25
KMS075H8-H	T3A-B	4DES-7-2DU-Y	208-230/3/60	38.1	215	1	590	5.0	52.6	90
	T4A-B	4DES-7-4SU-Y	460/3/60	17.0	88	1	590	2.5	23.8	40
	T5A-B	4DES-7-5SU-Y	575/3/60	12.3	64	1	590	2.0	17.4	25
KMS090H8-H	T3A-B	4CES-9-2DU-Y	208-230/3/60	42.1	215	2	1180	10.0	62.6	100
	T4A-B	4CES-9-4SU-Y	460/3/60	19.0	88	2	1180	5.0	28.8	45
	T5A-B	4CES-9-5SU-Y	575/3/60	15.2	64	2	1180	4.0	23.0	35
KMS100H8-H	T3A-B	4VES-10-2NU-Y	208-230/3/60	47.4	222	2	1180	10.0	69.3	110
	T4A-B	4VES-10-2NU-Y	460/3/60	21.4	111	2	1180	5.0	31.8	50
	T5A-B	4VES-10-5PU-Y	575/3/60	17.1	89	2	1180	4.0	25.4	40
KMS120H8-H	T3A-B	4TES-12-2NU-Y	208-230/3/60	52.1	252	2	1180	10.0	75.1	125
	T4A-B	4TES-12-2NU-Y	460/3/60	23.6	126	2	1180	5.0	34.5	50
	T5A-B	4TES-12-5PU-Y	575/3/60	18.9	101	2	1180	4.0	27.6	45
KMS150H8-H	T3A-B	4PES-15-2NU-Y	208-230/3/60	60.0	294	2	1180	10.0	85.0	125
	T4A-B	4PES-15-2NU-Y	460/3/60	27.1	147	2	1180	5.0	38.9	60
	T5A-B	4PES-15-5PU-Y	575/3/60	21.8	117	2	1180	4.0	31.3	50
KMS200H8-H	T3A-B	4NES-20-2NU-Y	208-230/3/60	71.1	352	2	1180	10.0	98.9	150
	T4A-B	4NES-20-2NU-Y	460/3/60	32.1	176	2	1180	5.0	45.1	70
	T5A-B	4NES-20-5PU-Y	575/3/60	26.3	140	2	1180	4.0	36.9	60
KMS060H8-H	T3A-B	4EES-6-2DU-Y	208-230/3/60	34.6	163	1	590	5.0	48.3	80
	T4A-B	4EES-6-4SU-Y	460/3/60	14.9	67	1	590	2.5	21.1	35
	T5A-B	4EES-6-5SU-Y	575/3/60	10.5	48	1	590	2.0	15.1	25
KMS075H8-H	T3A-B	4DES-7-2DU-Y	208-230/3/60	38.1	215	1	590	5.0	52.6	90
	T4A-B	4DES-7-4SU-Y	460/3/60	17.0	88	1	590	2.5	23.8	40
	T5A-B	4DES-7-5SU-Y	575/3/60	12.3	64	1	590	2.0	17.4	25
KMS090H8-H	T3A-B	4CES-9-2DU-Y	208-230/3/60	42.1	215	2	1180	10.0	62.6	100
	T4A-B	4CES-9-4SU-Y	460/3/60	19.0	88	2	1180	5.0	28.8	45
	T5A-B	4CES-9-5SU-Y	575/3/60	15.2	64	2	1180	4.0	23.0	35
KMS100H8-H	T3A-B	4VES-10-2NU-Y	208-230/3/60	47.4	222	2	1180	10.0	69.3	110
	T4A-B	4VES-10-2NU-Y	460/3/60	21.4	111	2	1180	5.0	31.8	50
	T5A-B	4VES-10-5PU-Y	575/3/60	17.1	89	2	1180	4.0	25.4	40
KMS120H8-H	T3A-B	4TES-12-2NU-Y	208-230/3/60	52.1	252	2	1180	10.0	75.1	125
	T4A-B	4TES-12-2NU-Y	460/3/60	23.6	126	2	1180	5.0	34.5	50
	T5A-B	4TES-12-5PU-Y	575/3/60	18.9	101	2	1180	4.0	27.6	45
KMS150H8-H	T3A-B	4PES-15-2NU-Y	208-230/3/60	60.0	294	2	1180	10.0	85.0	125
	T4A-B	4PES-15-2NU-Y	460/3/60	27.1	147	2	1180	5.0	38.9	60
	T5A-B	4PES-15-5PU-Y	575/3/60	21.8	117	2	1180	4.0	31.3	50
KMS200H8-H	T3A-B	4NES-20-2NU-Y	208-230/3/60	71.1	352	2	1180	10.0	98.9	150
	T4A-B	4NES-20-2NU-Y	460/3/60	32.1	176	2	1180	5.0	45.1	70
	T5A-B	4NES-20-5PU-Y	575/3/60	26.3	140	2	1180	4.0	36.9	60
KMS080L 6/8 -H	T3A-B	4TES-9-2NU-Y	208-230/3/60	34.8	180	1	590	5.0	48.5	80
	T4A-B	4TES-9-2NU-Y	460/3/60	15.7	90	1	590	2.5	22.1	35
	T5A-B	4TES-9-5PU-Y	575/3/60	13.6	72	1	590	2.0	19.0	30
KMS100L 6/8 -H	T3A-B	4PES-12-2NU-Y	208-230/3/60	42.7	222	1	590	5.0	58.4	100
	T4A-B	4PES-12-2NU-Y	460/3/60	19.3	111	1	590	2.5	26.6	45
	T5A-B	4PES-12-5PU-Y	575/3/60	16.0	89	1	590	2.0	22.0	35
KMS120L 6/8 -H	T3A-B	4NES-14-2NU-Y	208-230/3/60	49.0	252	2	1180	10.0	71.3	110
	T4A-B	4NES-14-2NU-Y	460/3/60	22.1	126	2	1180	5.0	32.6	50
	T5A-B	4NES-14-5PU-Y	575/3/60	17.7	101	2	1180	4.0	26.1	40
KMS130L 6/8 -H	T3A-B	4JE-15-2NU-Y	208-230/3/60	61.6	352	2	1180	10.0	87.0	125
	T4A-B	4JE-15-2NU-Y	460/3/60	27.9	176	2	1180	5.0	39.9	60
	T5A-B	4JE-15-5PU-Y	575/3/60	22.3	140	2	1180	4.0	31.9	50
KMS150L 6/8 -H	T3A-B	4HE-18-2NU-Y	208-230/3/60	66.7	352	2	1180	10.0	93.4	150
	T4A-B	4HE-18-2NU-Y	460/3/60	30.1	176	2	1180	5.0	42.6	70
	T5A-B	4HE-18-5PU-Y	575/3/60	24.1	140	2	1180	4.0	34.1	50
KMS220L 6/8 -H	T3A-B	4GE-23-2NU-Y	208-230/3/60	71.1	352	2	1180	10.0	98.9	150
	T4A-B	4GE-23-2NU-Y	460/3/60	32.1	176	2	1180	5.0	45.1	70
	T5A-B	4GE-23-5PU-Y	575/3/60	25.7	140	2	1180	4.0	36.1	60

* = 575V units use a 230V motor with a transformer

MODEL KMD	COMPRESSOR MODEL NO.	POWER SUPPLY	COMPRESSOR		CONDENSER FAN MOTOR *			UNIT		
			RLA	LRA	QTY	HP	FLA	MCA	MOP	
KMD120H8-H	T3A-B	4EES-6-2DU-Y	208-230/3/60	34.6	163	2	1180	10.0	87.9	110
	T4A-B	4EES-6-4SU-Y	460/3/60	14.9	67	2	1180	5.0	38.5	50
	T5A-B	4EES-6-5SU-Y	575/3//60	10.5	48	2	1180	4.0	27.6	35
KMD150H8-H	T3A-B	4DES-7-2DU-Y	208-230/3/60	38.1	215	2	1180	10.0	95.7	125
	T4A-B	4DES-7-4SU-Y	460/3/60	17.0	88	2	1180	5.0	43.3	60
	T5A-B	4DES-7-5SU-Y	575/3//60	12.3	64	2	1180	4.0	31.7	40
KMD180H8-H	T3A-B	4CES-9-2DU-Y	208-230/3/60	42.1	215	4	2360	20.0	114.7	150
	T4A-B	4CES-9-4SU-Y	460/3/60	19.0	88	4	2360	10.0	52.8	70
	T5A-B	4CES-9-5SU-Y	575/3//60	15.2	64	4	2360	8.0	42.2	50
KMD200H8-H	T3A-B	4VES-10-2NU-Y	208-230/3/60	47.4	222	4	2360	20.0	126.7	150
	T4A-B	4VES-10-2NU-Y	460/3/60	21.4	111	4	2360	10.0	58.2	70
	T5A-B	4VES-10-5PU-Y	575/3//60	17.1	89	4	2360	8.0	46.5	60
KMD240H8-H	T3A-B	4TES-12-2NU-Y	208-230/3/60	52.1	252	4	2360	20.0	137.2	175
	T4A-B	4TES-12-2NU-Y	460/3/60	23.6	126	4	2360	10.0	63.1	80
	T5A-B	4TES-12-5PU-Y	575/3//60	18.9	101	4	2360	8.0	50.5	60
KMD300H8-H	T3A-B	4PES-15-2NU-Y	208-230/3/60	60.0	294	4	2360	20.0	155.0	200
	T4A-B	4PES-15-2NU-Y	460/3/60	27.1	147	4	2360	10.0	71.0	90
	T5A-B	4PES-15-5PU-Y	575/3//60	21.8	117	4	2360	8.0	57.1	70
KMD400H8-H	T3A-B	4NES-20-2NU-Y	208-230/3/60	71.1	352	4	2360	20.0	180.0	250
	T4A-B	4NES-20-2NU-Y	460/3/60	32.1	176	4	2360	10.0	82.2	110
	T5A-B	4NES-20-5PU-Y	575/3//60	26.3	140	4	2360	8.0	67.2	90
KMD120H8-H	T3A-B	4EES-6-2DU-Y	208-230/3/60	34.6	163	2	1180	10.0	87.9	110
	T4A-B	4EES-6-4SU-Y	460/3/60	14.9	67	2	1180	5.0	38.5	50
	T5A-B	4EES-6-5SU-Y	575/3//60	10.5	48	2	1180	4.0	27.6	35
KMD150H8-H	T3A-B	4DES-7-2DU-Y	208-230/3/60	38.1	215	2	1180	10.0	95.7	125
	T4A-B	4DES-7-4SU-Y	460/3/60	17.0	88	2	1180	5.0	43.3	60
	T5A-B	4DES-7-5SU-Y	575/3//60	12.3	64	2	1180	4.0	31.7	40
KMD180H8-H	T3A-B	4CES-9-2DU-Y	208-230/3/60	42.1	215	4	2360	20.0	114.7	150
	T4A-B	4CES-9-4SU-Y	460/3/60	19.0	88	4	2360	10.0	52.8	70
	T5A-B	4CES-9-5SU-Y	575/3//60	15.2	64	4	2360	8.0	42.2	50
KMD200H8-H	T3A-B	4VES-10-2NU-Y	208-230/3/60	47.4	222	4	2360	20.0	126.7	150
	T4A-B	4VES-10-2NU-Y	460/3/60	21.4	111	4	2360	10.0	58.2	70
	T5A-B	4VES-10-5PU-Y	575/3//60	17.1	89	4	2360	8.0	46.5	60
KMD240H8-H	T3A-B	4TES-12-2NU-Y	208-230/3/60	52.1	252	4	2360	20.0	137.2	175
	T4A-B	4TES-12-2NU-Y	460/3/60	23.6	126	4	2360	10.0	63.1	80
	T5A-B	4TES-12-5PU-Y	575/3//60	18.9	101	4	2360	8.0	50.5	60
KMD300H8-H	T3A-B	4PES-15-2NU-Y	208-230/3/60	60.0	294	4	2360	20.0	155.0	200
	T4A-B	4PES-15-2NU-Y	460/3/60	27.1	147	4	2360	10.0	71.0	90
	T5A-B	4PES-15-5PU-Y	575/3//60	21.8	117	4	2360	8.0	57.1	70
KMD400H8-H	T3A-B	4NES-20-2NU-Y	208-230/3/60	71.1	352	4	2360	20.0	180.0	250
	T4A-B	4NES-20-2NU-Y	460/3/60	32.1	176	4	2360	10.0	82.2	110
	T5A-B	4NES-20-5PU-Y	575/3//60	26.3	140	4	2360	8.0	67.2	90
KMD160L 6/8 -H	T3A-B	4TES-9-2NU-Y	208-230/3/60	34.8	180	2	1180	10.0	88.3	110
	T4A-B	4TES-9-2NU-Y	460/3/60	15.7	90	2	1180	5.0	40.3	50
	T5A-B	4TES-9-5PU-Y	575/3//60	13.6	72	2	1180	4.0	34.6	45
KMD200L 6/8 -H	T3A-B	4PES-12-2NU-Y	208-230/3/60	42.7	222	2	1180	10.0	106.1	125
	T4A-B	4PES-12-2NU-Y	460/3/60	19.3	111	2	1180	5.0	48.4	60
	T5A-B	4PES-12-5PU-Y	575/3//60	16.0	89	2	1180	4.0	40.0	50
KMD240L 6/8 -H	T3A-B	4NES-14-2NU-Y	208-230/3/60	49.0	252	4	2360	20.0	130.3	175
	T4A-B	4NES-14-2NU-Y	460/3/60	22.1	126	4	2360	10.0	59.7	80
	T5A-B	4NES-14-5PU-Y	575/3//60	17.7	101	4	2360	8.0	47.8	60
KMD260L 6/8 -H	T3A-B	4JE-15-2NU-Y	208-230/3/60	61.6	352	4	2360	20.0	158.6	200
	T4A-B	4JE-15-2NU-Y	460/3/60	27.9	176	4	2360	10.0	72.8	100
	T5A-B	4JE-15-5PU-Y	575/3//60	22.3	140	4	2360	8.0	58.2	80
KMD300L 6/8 -H	T3A-B	4HE-18-2NU-Y	208-230/3/60	66.7	352	4	2360	20.0	170.1	225
	T4A-B	4HE-18-2NU-Y	460/3/60	30.1	176	4	2360	10.0	77.7	100
	T5A-B	4HE-18-5PU-Y	575/3//60	24.1	140	4	2360	8.0	62.2	80
KMD440L 6/8 -H	T3A-B	4GE-23-2NU-Y	208-230/3/60	71.1	352	4	2360	20.0	180.0	250
	T4A-B	4GE-23-2NU-Y	460/3/60	32.1	176	4	2360	10.0	82.2	110
	T5A-B	4GE-23-5PU-Y	575/3//60	25.7	140	4	2360	8.0	65.8	90

* = 575V units use a 230V motor with a transformer

**COMPRESSOR
END VIEW**



COPELAND MODELS

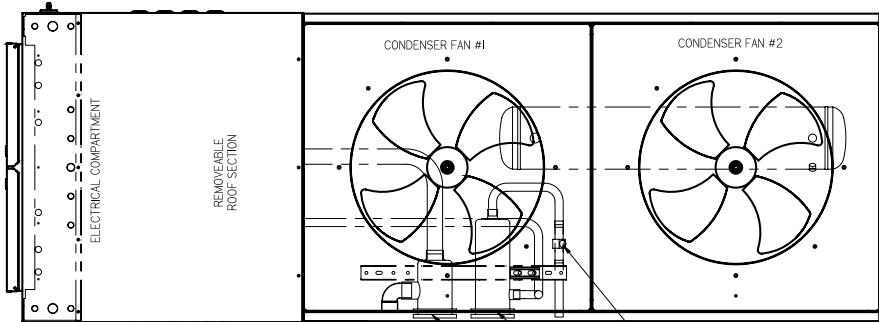
MODEL KMS	BASE FRAME LENGTH	
	Inches	mm
KMS075H8-H**A-A	80	2032
KMS076H8-H**A-A	80	2032
KMS080H8-H**A-A	120	3048
KMS100H8-H**A-A	120	3048
KMS120H8-H**A-A	120	3048
KMS150H8-H**A-A	120	3048
KMS200H8-H**A-A	120	3048
KMS075M8-H**A-A	80	2032
KMS076M8-H**A-A	80	2032
KMS080M8-H**A-A	120	3048
KMS100M8-H**A-A	120	3048
KMS120M8-H**A-A	120	3048
KMS150M8-H**A-A	120	3048
KMS200M8-H**A-A	120	3048
KMS075L 6/8 -H**A-A	80	2032
KMS090L 6/8 -H**A-A	80	2032
KMS100L 6/8 -H**A-A	120	3048
KMS120L 6/8 -H**A-A	120	3048
KMS130L 6/8 -H**A-A	120	3048
KMS150L 6/8 -H**A-A	120	3048
KMS220L 6/8 -H**A-A	120	3048

BITZER MODELS

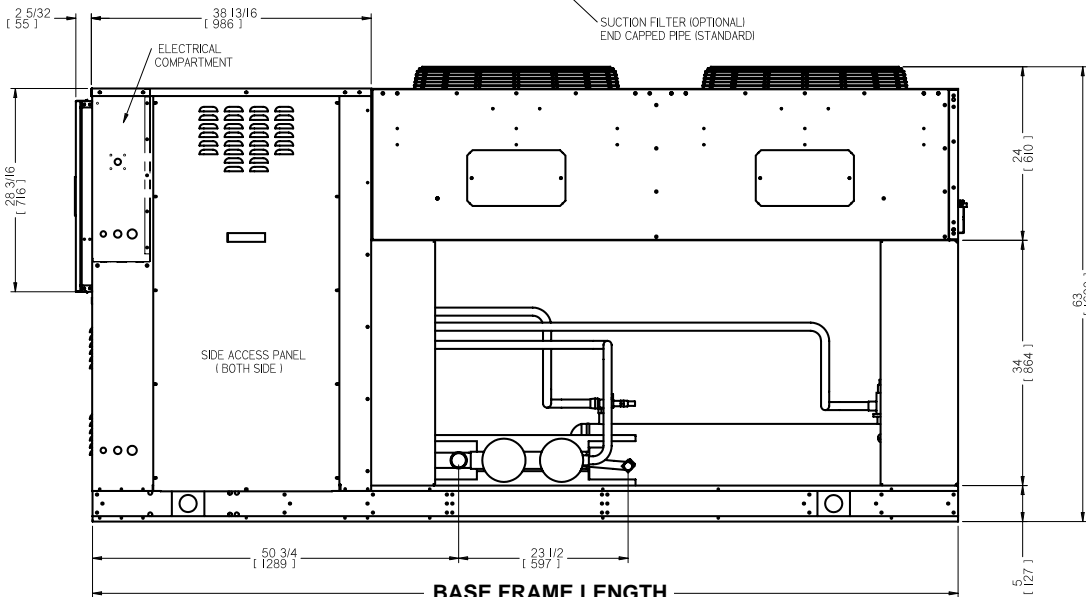
MODEL KMS	BASE FRAME LENGTH	
	Inches	mm
KMS060H8-H**A-B	80	2032
KMS075H8-H**A-B	80	2032
KMS090H8-H**A-B	120	3048
KMS100H8-H**A-B	120	3048
KMS120H8-H**A-B	120	3048
KMS150H8-H**A-B	120	3048
KMS200H8-H**A-B	120	3048
KMS060M8-H**A-B	80	2032
KMS075M8-H**A-B	80	2032
KMS090M8-H**A-B	120	3048
KMS100M8-H**A-B	120	3048
KMS120M8-H**A-B	120	3048
KMS150M8-H**A-B	120	3048
KMS200M8-H**A-B	120	3048
KMS080L 6/8 -H**A-B	80	2032
KMS100L 6/8 -H**A-B	80	2032
KMS120L 6/8 -H**A-B	120	3048
KMS130L 6/8 -H**A-B	120	3048
KMS150L 6/8 -H**A-B	120	3048
KMS200L 6/8 -H**A-B	120	3048

** = insert voltage code (see Nomenclature)

** = insert voltage code (see Nomenclature)

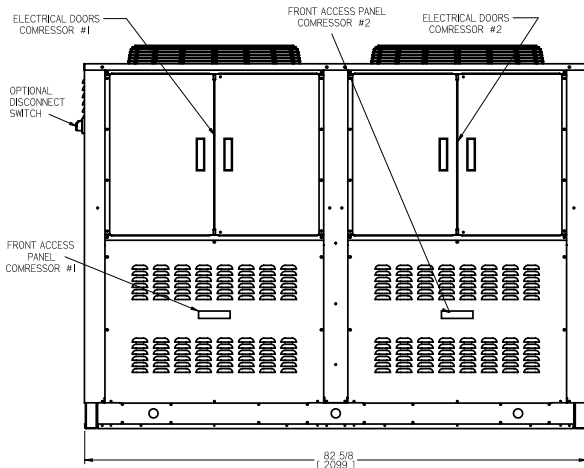


TOP VIEW



SIDE VIEW

COMPRESSOR
END VIEW



COPELAND MODELS

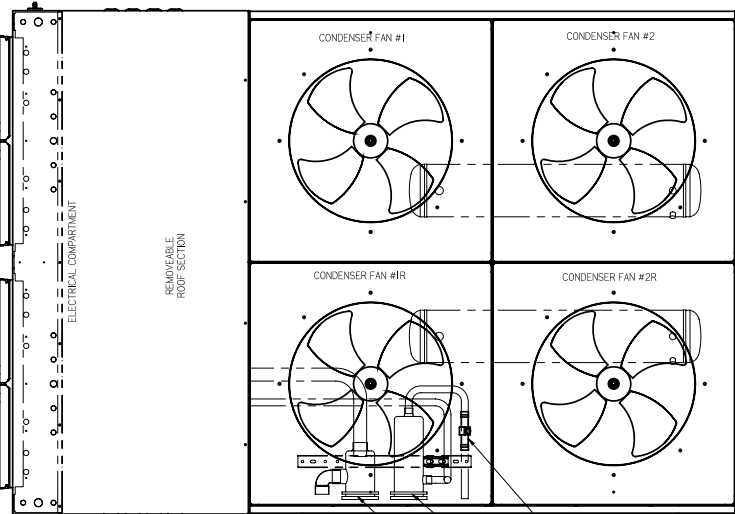
MODEL KMD	BASE FRAME LENGTH	
	Inches	mm
KMD150H8-H**A-A	80	2032
KMD151H8-H**A-A	80	2032
KMD160H8-H**A-A	120	3048
KMD200H8-H**A-A	120	3048
KMD240H8-H**A-A	120	3048
KMD300H8-H**A-A	120	3048
KMD400H8-H**A-A	120	3048
KMD150M8-H**A-A	80	2032
KMD151M8-H**A-A	80	2032
KMD160M8-H**A-A	120	3048
KMD200M8-H**A-A	120	3048
KMD240M8-H**A-A	120	3048
KMD300M8-H**A-A	120	3048
KMD400M8-H**A-A	120	3048
KMD150L 6/8 -H**A-A	80	2032
KMD180L 6/8 -H**A-A	80	2032
KMD200L 6/8 -H**A-A	120	3048
KMD240L 6/8 -H**A-A	120	3048
KMD260L 6/8 -H**A-A	120	3048
KMD300L 6/8 -H**A-A	120	3048
KMD400L 6/8 -H**A-A	120	3048

BITZER MODELS

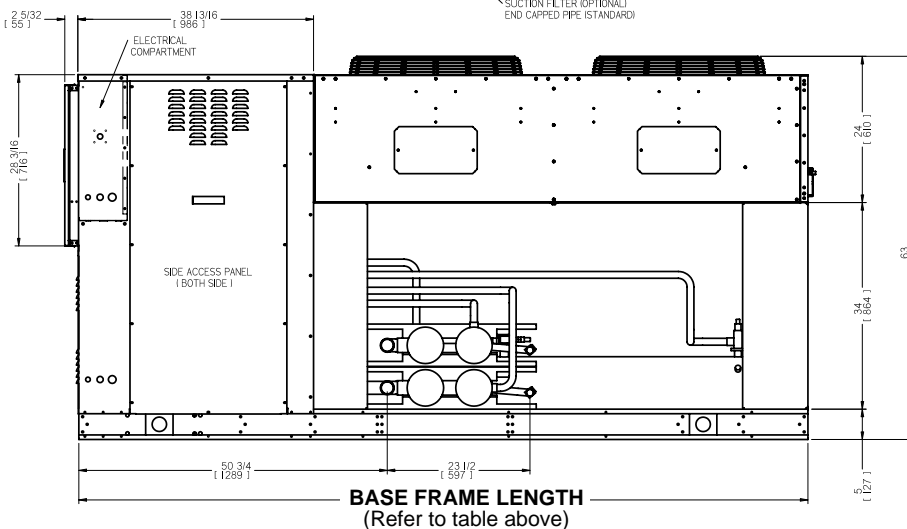
MODEL KMD	BASE FRAME LENGTH	
	Inches	mm
KMD120H8-H**A-B	80	2032
KMD150H8-H**A-B	80	2032
KMD180H8-H**A-B	120	3048
KMD200H8-H**A-B	120	3048
KMD240H8-H**A-B	120	3048
KMD300H8-H**A-B	120	3048
KMD400H8-H**A-B	120	3048
KMD120M8-H**A-B	80	2032
KMD150M8-H**A-B	80	2032
KMD180M8-H**A-B	120	3048
KMD200M8-H**A-B	120	3048
KMD240M8-H**A-B	120	3048
KMD300M8-H**A-B	120	3048
KMD400M8-H**A-B	120	3048
KMD160L 6/8 -H**A-B	80	2032
KMD200L 6/8 -H**A-B	80	2032
KMD240L 6/8 -H**A-B	120	3048
KMD260L 6/8 -H**A-B	120	3048
KMD300L 6/8 -H**A-B	120	3048
KMD400L 6/8 -H**A-B	120	3048

** = insert voltage code (see Nomenclature)

** = insert voltage code (see Nomenclature)



TOP VIEW



SIDE VIEW

SPECIFICATIONS

COPELAND SINGLE COMPRESSOR MODELS

MODEL KMS	CONDENSER FANS	UNIT CONNECTIONS				R404A RECEIVER CAPACITY 90% FULL *		APPROX. SHIPPING WEIGHT	
		SUCTION (OD)		LIQUID (OD)		Lbs.	Kgs	Lbs.	Kgs
		Inches	mm	Inches	mm				
KMS075H8-H**A-A	1	1 3/8	35	5/8	16	60	27.2	1240	564
KMS076H8-H**A-A	1	1 3/8	35	5/8	16	60	27.2	1240	564
KMS080H8-H**A-A	2	1 3/8	35	7/8	22	70	31.8	1540	700
KMS100H8-H**A-A	2	1 3/8	35	7/8	22	82	37.2	1595	725
KMS120H8-H**A-A	2	1 5/8	41	7/8	22	103	46.7	1685	766
KMS150H8-H**A-A	2	1 5/8	41	7/8	22	103	46.7	1705	775
KMS200H8-H**A-A	2	1 5/8	41	7/8	22	103	46.7	1785	811
KMS075M8-H**A-A	1	1 3/8	35	5/8	16	60	27.2	1240	564
KMS076M8-H**A-A	1	1 3/8	35	5/8	16	60	27.2	1245	566
KMS080M8-H**A-A	2	1 3/8	35	5/8	16	70	31.8	1540	700
KMS100M8-H**A-A	2	1 3/8	35	7/8	22	82	37.2	1605	729
KMS120M8-H**A-A	2	1 5/8	41	7/8	22	103	46.7	1690	768
KMS150M8-H**A-A	2	1 5/8	41	7/8	22	103	46.7	1700	773
KMS200M8-H**A-A	2	1 5/8	41	7/8	22	103	46.7	1780	809
KMS075L 6/8 -H**A-A	1	1 3/8	35	5/8	16	60	27.2	1310	595
KMS090L 6/8 -H**A-A	1	1 3/8	35	5/8	16	60	27.2	1315	598
KMS100L 6/8 -H**A-A	2	1 3/8	35	5/8	16	70	31.8	1540	700
KMS120L 6/8 -H**A-A	2	1 5/8	41	7/8	22	82	37.2	1690	768
KMS130L 6/8 -H**A-A	2	1 5/8	41	7/8	22	82	37.2	1695	770
KMS150L 6/8 -H**A-A	2	1 5/8	41	7/8	22	103	46.7	1730	786
KMS220L 6/8 -H**A-A	2	2 1/8	54	7/8	22	103	46.7	1815	825

** = insert voltage code (see Nomenclature)

SPECIFICATIONS

COPELAND DOUBLE COMPRESSOR MODELS

MODEL KMD	CONDENSER FANS	UNIT CONNECTIONS				R404A RECEIVER CAPACITY 90% FULL *		APPROX. SHIPPING WEIGHT	
		SUCTION (OD)		LIQUID (OD)		Lbs.	Kgs	Lbs.	Kgs
		Inches	mm	Inches	mm				
KMD150H8-H**A-A	2	1 3/8	35	5/8	16	60	27.2	2330	1059
KMD151H8-H**A-A	2	1 3/8	35	5/8	16	60	27.2	2335	1061
KMD160H8-H**A-A	4	1 3/8	35	7/8	22	70	31.8	2855	1298
KMD200H8-H**A-A	4	1 3/8	35	7/8	22	82	37.2	2955	1343
KMD240H8-H**A-A	4	1 5/8	41	7/8	22	103	46.7	3135	1425
KMD300H8-H**A-A	4	1 5/8	41	7/8	22	103	46.7	3180	1445
KMD400H8-H**A-A	4	1 5/8	41	7/8	22	103	46.7	3330	1513
KMD150M8-H**A-A	2	1 3/8	35	5/8	16	60	27.2	2340	1063
KMD151M8-H**A-A	2	1 3/8	35	5/8	16	60	27.2	2345	1066
KMD160M8-H**A-A	4	1 3/8	35	5/8	16	70	31.8	2855	1298
KMD200M8-H**A-A	4	1 3/8	35	7/8	22	82	37.2	2970	1350
KMD240M8-H**A-A	4	1 5/8	41	7/8	22	103	46.7	3150	1432
KMD300M8-H**A-A	4	1 5/8	41	7/8	22	103	46.7	3175	1443
KMD400M8-H**A-A	4	1 5/8	41	7/8	22	103	46.7	3325	1511
KMD150L 6/8 -H**A-A	2	1 3/8	35	5/8	16	60	27.2	2475	1125
KMD180L 6/8 -H**A-A	2	1 3/8	35	5/8	16	60	27.2	2490	1132
KMD200L 6/8 -H**A-A	4	1 3/8	35	5/8	16	70	31.8	2855	1298
KMD240L 6/8 -H**A-A	4	1 5/8	41	7/8	22	82	37.2	3145	1429
KMD260L 6/8 -H**A-A	4	1 5/8	41	7/8	22	82	37.2	3160	1436
KMD300L 6/8 -H**A-A	4	1 5/8	41	7/8	22	103	46.7	3230	1468
KMD440L 6/8 -H**A-A	4	2 1/8	54	7/8	22	103	46.7	3400	1545

** = insert voltage code (see Nomenclature)

* NOTE ON ALTERNATE REFRIGERANTS: PUBLISHED RECEIVER CAPACITY IS BASED ON **R404A** ON MODELS USING "8" AS REFRIGERANT CODE. FOR ALTERNATE REFRIGERANTS, MULTIPLY **R404A** VALUE BY THE APPROPRIATE VALUE AT RIGHT:

R407A	R407C	R448A R449A	R507	R22
1.10	1.10	1.05	1.00	1.15

SPECIFICATIONS

BITZER SINGLE COMPRESSOR MODELS

MODEL KMS	CONDENSER FANS	UNIT CONNECTIONS				R404A RECEIVER CAPACITY 90% FULL *		APPROX. SHIPPING WEIGHT	
		SUCTION (OD)		LIQUID (OD)		Lbs.	Kgs	Lbs.	Kgs
		Inches	mm	Inches	mm				
KMS060H8-H**A-B	1	1 3/8	35	5/8	16	60	27.2	1085	493
KMS075H8-H**A-B	1	1 3/8	35	5/8	16	60	27.2	1095	498
KMS090H8-H**A-B	2	1 3/8	35	7/8	22	70	31.8	1330	604
KMS100H8-H**A-B	2	1 3/8	35	7/8	22	82	37.2	1495	679
KMS120H8-H**A-B	2	1 5/8	41	7/8	22	103	46.7	1590	723
KMS150H8-H**A-B	2	1 5/8	41	7/8	22	103	46.7	1635	743
KMS200H8-H**A-B	2	1 5/8	41	7/8	22	103	46.7	1645	748
KMS060M8-H**A-B	1	1 3/8	35	5/8	16	60	27.2	1085	493
KMS075M8-H**A-B	1	1 3/8	35	5/8	16	60	27.2	1100	500
KMS090M8-H**A-B	2	1 3/8	35	5/8	16	70	31.8	1330	604
KMS100M8-H**A-B	2	1 3/8	35	7/8	22	82	37.2	1505	684
KMS120M8-H**A-B	2	1 5/8	41	7/8	22	103	46.7	1595	725
KMS150M8-H**A-B	2	1 5/8	41	7/8	22	103	46.7	1630	741
KMS200M8-H**A-B	2	1 5/8	41	7/8	22	103	46.7	1645	748
KMS080L 6/8 -H**A-B	1	1 3/8	35	5/8	16	60	27.2	1200	545
KMS100L 6/8 -H**A-B	1	1 3/8	35	5/8	16	60	27.2	1220	554
KMS120L 6/8 -H**A-B	2	1 3/8	35	5/8	16	70	31.8	1450	659
KMS130L 6/8 -H**A-B	2	1 5/8	41	7/8	22	82	37.2	1630	741
KMS150L 6/8 -H**A-B	2	1 5/8	41	7/8	22	103	46.7	1675	761
KMS200L 6/8 -H**A-B	2	2 1/8	54	7/8	22	103	46.7	1780	809

** = insert voltage code (see Nomenclature)

SPECIFICATIONS

BITZER DOUBLE COMPRESSOR MODELS

MODEL KMD	CONDENSER FANS	UNIT CONNECTIONS				R404A RECEIVER CAPACITY 90% FULL *		APPROX. SHIPPING WEIGHT	
		SUCTION (OD)		LIQUID (OD)		Lbs.	Kgs	Lbs.	Kgs
		Inches	mm	Inches	mm				
KMD120H8-H**A-B	2	1 3/8	35	5/8	16	60	27.2	2020	918
KMD150H8-H**A-B	2	1 3/8	35	5/8	16	60	27.2	2045	929
KMD180H8-H**A-B	4	1 3/8	35	7/8	22	70	31.8	2430	1104
KMD200H8-H**A-B	4	1 3/8	35	7/8	22	82	37.2	2755	1252
KMD240H8-H**A-B	4	1 5/8	41	7/8	22	103	46.7	2950	1341
KMD300H8-H**A-B	4	1 5/8	41	7/8	22	103	46.7	3040	1382
KMD400H8-H**A-B	4	1 5/8	41	7/8	22	103	46.7	3060	1391
KMD120M8-H**A-B	2	1 3/8	35	5/8	16	60	27.2	2030	923
KMD150M8-H**A-B	2	1 3/8	35	5/8	16	60	27.2	2055	934
KMD180M8-H**A-B	4	1 3/8	35	5/8	16	70	31.8	2430	1104
KMD200M8-H**A-B	4	1 3/8	35	7/8	22	82	37.2	2775	1261
KMD240M8-H**A-B	4	1 5/8	41	7/8	22	103	46.7	2965	1348
KMD300M8-H**A-B	4	1 5/8	41	7/8	22	103	46.7	3035	1379
KMD400M8-H**A-B	4	1 5/8	41	7/8	22	103	46.7	3055	1388
KMD160L 6/8 -H**A-B	2	1 3/8	35	5/8	16	60	27.2	2255	1025
KMD200L 6/8 -H**A-B	2	1 3/8	35	5/8	16	60	27.2	2295	1043
KMD240L 6/8 -H**A-B	4	1 3/8	35	5/8	16	70	31.8	2670	1213
KMD260L 6/8 -H**A-B	4	1 5/8	41	7/8	22	82	37.2	3030	1377
KMD300L 6/8 -H**A-B	4	1 5/8	41	7/8	22	103	46.7	3125	1420
KMD400L 6/8 -H**A-B	4	2 1/8	54	7/8	22	103	46.7	3335	1516

** = insert voltage code (see Nomenclature)

* **NOTE ON ALTERNATE REFRIGERANTS:** PUBLISHED RECEIVER CAPACITY IS BASED ON **R404A** ON MODELS USING "8" AS REFRIGERANT CODE. FOR ALTERNATE REFRIGERANTS, MULTIPLY **R404A** VALUE BY THE APPROPRIATE VALUE AT RIGHT:

R407A	R407C	R448A R449A	R507	R22
1.10	1.10	1.05	1.00	1.15

Annual Walk-In Energy Factor Ratings - High/Medium Temperature

If a numerical value is listed in the tables below, the following statement applies to that corresponding model:
"This refrigeration system is designed and certified for use in walk-in cooler applications."

Base Unit Model	Outdoor Models				
	R404A	R507	R407A	R448A R449A	R407C
KMS075H8-A	7.6		7.6	7.6	7.6
KMS076H8-A	7.6		7.6	7.6	7.6
KMS080H8-A	7.6		7.6	7.6	7.6
KMS100H8-A	7.6		7.6	7.6	7.6
KMS120H8-A	7.6		7.6	7.6	7.6
KMS150H8-A	7.6		7.6	7.6	7.6
KMS200H8-A	7.6		7.6	7.6	7.6
KMD150H8-A	7.6		7.6	7.6	7.6
KMD151H8-A	7.6		7.6	7.6	7.6
KMD160H8-A	7.6		7.6	7.6	7.6
KMD200H8-A	7.6		7.6	7.6	7.6
KMD240H8-A	7.6		7.6	7.6	7.6
KMD300H8-A	7.6		7.6	7.6	7.6
KMD400H8-A	7.6		7.6	7.6	7.6

— = Non-compliant model

Base Unit Model	Outdoor Models				
	R404A	R507	R407A	R448A R449A	R407C
KMS075M8-A	7.6		7.6	7.6	7.6
KMS076M8-A	7.6		7.6	7.6	7.6
KMS080M8-A	7.6		7.6	7.6	7.6
KMS100M8-A	7.6		7.6	7.6	7.6
KMS120M8-A	7.6		7.6	7.6	7.6
KMS150M8-A	7.6		7.6	7.6	7.6
KMS200M8-A	7.6		7.6	7.6	7.6
KMD150M8-A	7.6		7.6	7.6	7.6
KMD151M8-A	7.6		7.6	7.6	7.6
KMD160M8-A	7.6		7.6	7.6	7.6
KMD200M8-A	7.6		7.6	7.6	7.6
KMD240M8-A	7.6		7.6	7.6	7.6
KMD300M8-A	7.6		7.6	7.6	7.6
KMD400M8-A	7.6		7.6	7.6	7.6

— = Non-compliant model

Annual Walk-In Energy Factor Ratings - Low Temperature

If a numerical value is listed in the table below, the following statement applies to that corresponding model:
" This refrigeration system is designed and certified for use in walk-in freezer applications."

Base Unit Model	Outdoor Models				
	R404A	R507	R407A	R448A R449A	R407C
KMS075L*-A	3.15		3.15	3.15	—
KMS090L*-A	3.15		3.15	3.15	—
KMS100L*-A	3.15		3.15	3.15	—
KMS120L*-A	3.15		3.15	3.15	—
KMS130L*-A	3.15		3.15	3.15	—
KMS150L*-A	3.15		3.15	3.15	—
KMS220L*-A	3.15		3.15	3.15	—
KMD150L*-A	3.15		3.15	3.15	—
KMD180L*-A	3.15		3.15	3.15	—
KMD200L*-A	3.15		3.15	3.15	—
KMD240L*-A	3.15		3.15	3.15	—
KMD260L*-A	3.15		3.15	3.15	—
KMD300L*-A	3.15		3.15	3.15	—
KMD440L*-A	3.15		3.15	3.15	—

— = Non-compliant model

Annual Walk-In Energy Factor Ratings - High/Medium Temperature

If a numerical value is listed in the tables below, the following statement applies to that corresponding model:
"This refrigeration system is designed and certified for use in walk-in cooler applications."

Base Unit Model	Outdoor Models				
	R404A	R507	R407A	R448A R449A	R407C
KMS060H8-B	7.6		7.6	7.6	7.6
KMS075H8-B	7.6		7.6	7.6	7.6
KMS090H8-B	7.6		7.6	7.6	7.6
KMS100H8-B	7.6		7.6	7.6	7.6
KMS120H8-B	7.6		7.6	7.6	7.6
KMS150H8-B	7.6		7.6	7.6	7.6
KMS200H8-B	7.6		7.6	7.6	7.6
KMD120H8-B	7.6		7.6	7.6	7.6
KMD150H8-B	7.6		7.6	7.6	7.6
KMD180H8-B	7.6		7.6	7.6	7.6
KMD200H8-B	7.6		7.6	7.6	7.6
KMD240H8-B	7.6		7.6	7.6	7.6
KMD300H8-B	7.6		7.6	7.6	7.6
KMD400H8-B	7.6		7.6	7.6	7.6

— = Non-compliant model

Base Unit Model	Outdoor Models				
	R404A	R507	R407A	R448A R449A	R407C
KMS060M8-B	7.6		7.6	7.6	7.6
KMS075M8-B	7.6		7.6	7.6	7.6
KMS090M8-B	7.6		7.6	7.6	7.6
KMS100M8-B	7.6		7.6	7.6	7.6
KMS120M8-B	7.6		7.6	7.6	7.6
KMS150M8-B	7.6		7.6	7.6	7.6
KMS200M8-B	7.6		7.6	7.6	7.6
KMD120M8-B	7.6		7.6	7.6	7.6
KMD150M8-B	7.6		7.6	7.6	7.6
KMD180M8-B	7.6		7.6	7.6	7.6
KMD200M8-B	7.6		7.6	7.6	7.6
KMD240M8-B	7.6		7.6	7.6	7.6
KMD300M8-B	7.6		7.6	7.6	7.6
KMD400M8-B	7.6		7.6	7.6	7.6

— = Non-compliant model

Annual Walk-In Energy Factor Ratings - Low Temperature

If a numerical value is listed in the table below, the following statement applies to that corresponding model:
" This refrigeration system is designed and certified for use in walk-in freezer applications."

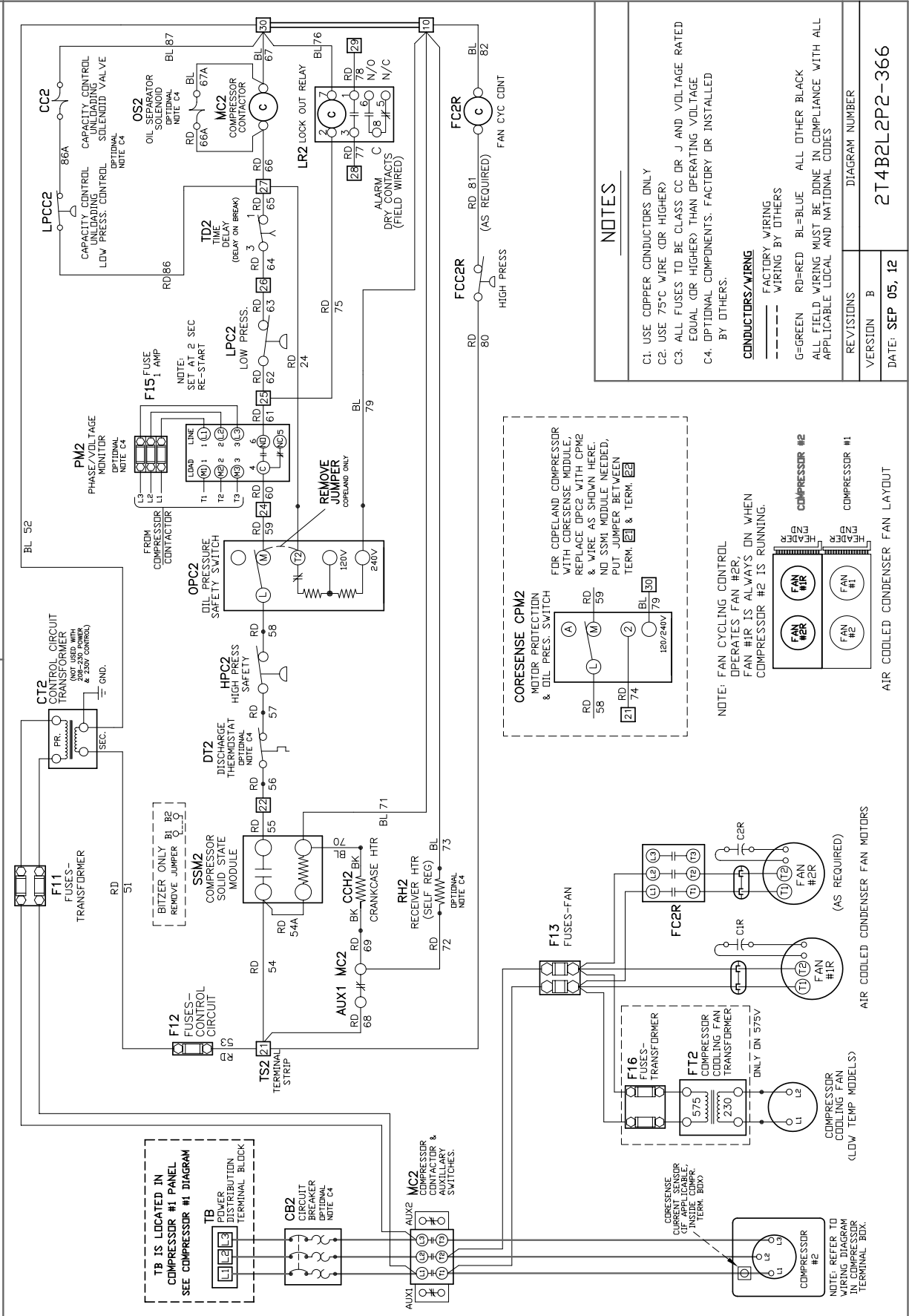
Base Unit Model	Outdoor Models				
	R404A	R507	R407A	R448A R449A	R407C
KMS080L*-B	3.15		3.15	3.15	—
KMS100L*-B	3.15		3.15	3.15	—
KMS120L*-B	3.15		3.15	3.15	—
KMS130L*-B	3.15		3.15	3.15	—
KMS150L*-B	3.15		3.15	3.15	—
KMS200L*-B	3.15		3.15	3.15	—
KMD160L*-B	3.15		3.15	3.15	—
KMD200L*-B	3.15		3.15	3.15	—
KMD240L*-B	3.15		3.15	3.15	—
KMD260L*-B	3.15		3.15	3.15	—
KMD300L*-B	3.15		3.15	3.15	—
KMD400L*-B	3.15		3.15	3.15	—
KMD300L*-A	3.15		3.15	3.15	—
KMD440L*-A	3.15		3.15	3.15	—

— = Non-compliant model

CONDENSING UNIT WIRING DIAGRAM - COMPRESSOR #2

CONDENSING UNIT WIRING DIAGRAM: COMPRESSOR #2
(ALSO REFER TO COMPRESSOR #1 DIAGRAM)

- 208-230/3/60, 460/3/60, 575/3/60 POWER SUPPLY
- 230V or 120V CONTROL CIRCUIT



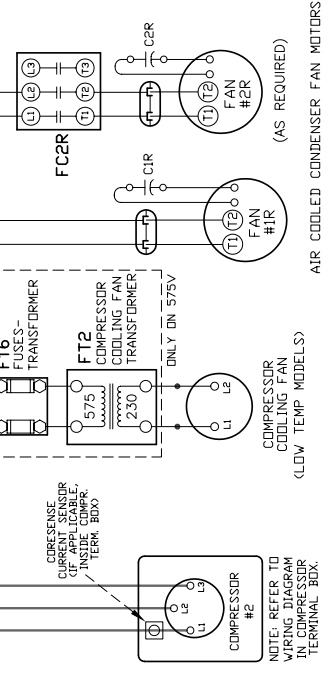
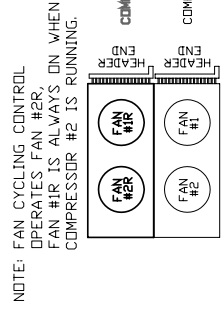
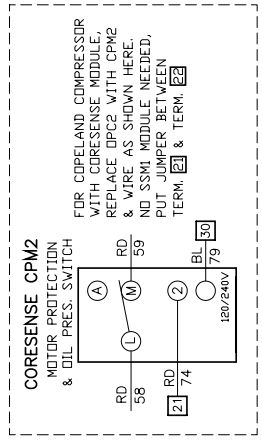
NOTES

- C1. USE COPPER CONDUCTORS ONLY
- C2. USE 75°C WIRE (OR HIGHER)
- C3. ALL FUSES TO BE CLASS CC OR J AND VOLTAGE RATED EQUAL (OR HIGHER) THAN OPERATING VOLTAGE
- C4. OPTIONAL COMPONENTS, FACTORY OR INSTALLED BY OTHERS.

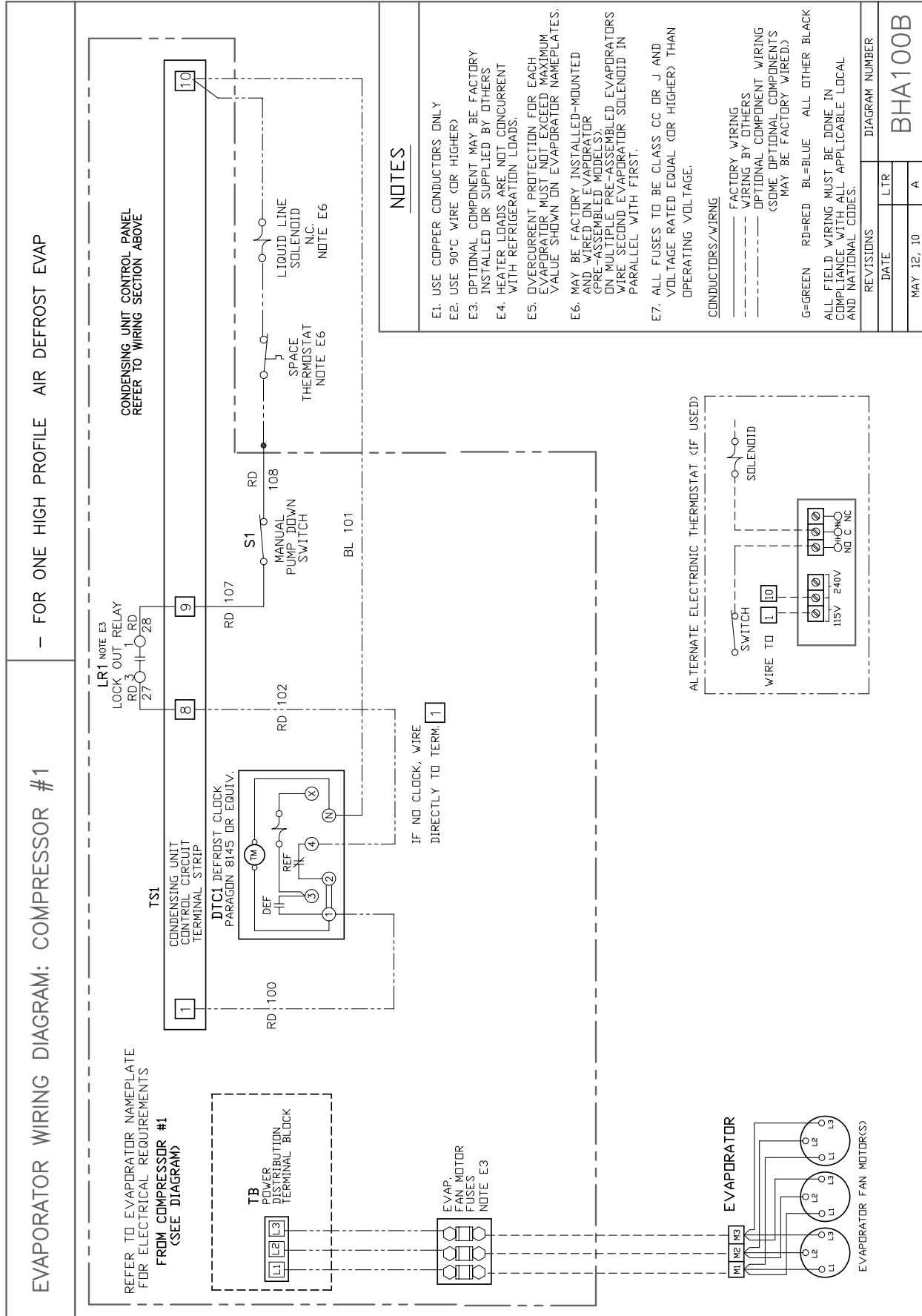
CONDUCTORS/WIRING

- FACTORY WIRING
- WIRING BY OTHERS
- G=GREEN RD=RED BL=BLUE ALL OTHER BLACK
- ALL FIELD WIRING MUST BE DONE IN COMPLIANCE WITH ALL APPLICABLE LOCAL AND NATIONAL CODES

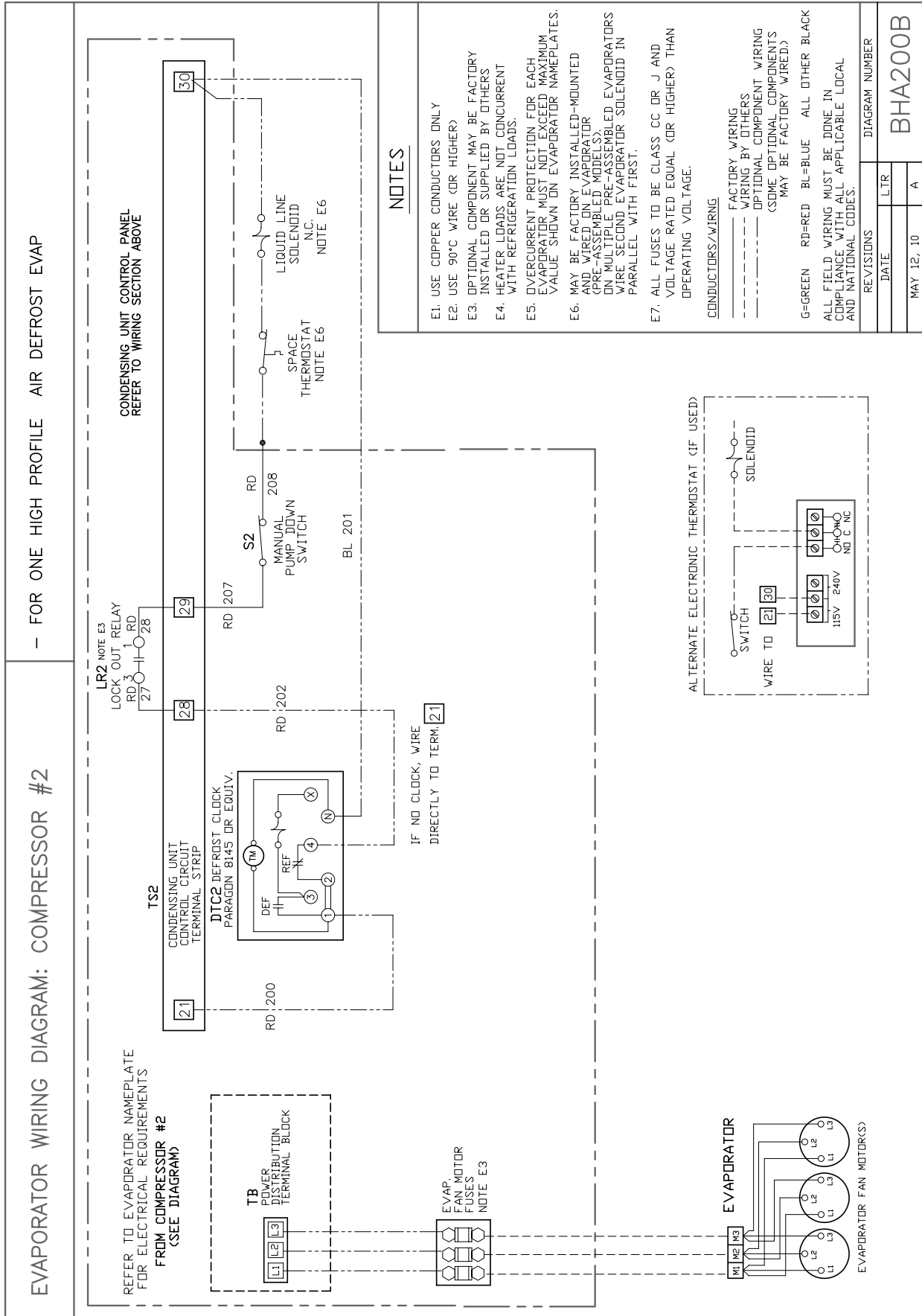
REVISIONS	DIAGRAM NUMBER
VERSION B	2T4B2L2P2-366
DATE: SEP 05, 12	



AIR DEFROST EVAPORATOR WIRING DIAGRAM - COMPRESSOR #1



AIR DEFROST EVAPORATOR WIRING DIAGRAM - COMPRESSOR #2



NOTES

System	
Model Number	Date of Start-Up
Serial Number	Service Contractor
Refrigerant	Phone
Electrical Supply	E-mail



PRODUCT SUPPORT

web: www.k-rp.com/km
email: mdcu-lgcu@k-rp.com
call: 1-844-893-3222 x522



TROUBLESHOOTING

email: troubleshooting@k-rp.com
call: 1-844-893-3222 x529



SERVICE PARTS

web: www.k-rp.com/parts
email: parts@k-rp.com
call: 1-844-893-3222 x504



WARRANTY

web: www.k-rp.com/warranty
email: warranty@k-rp.com
call: 1-844-893-3222 x507



ORDERS

email: orders@k-rp.com
call: 1-844-893-3222 x501



SHIPPING

email: shipping@k-rp.com
call: 1-844-893-3222 x503

KeepRite®
 REFRIGERATION

KeepRite Refrigeration
 Brantford, ON • Longview, TX
 1-800-463-9517 info@k-rp.com www.k-rp.com

