



KM-Line **Scroll** Condensing Units

PRODUCT DATA & SPECIFICATIONS

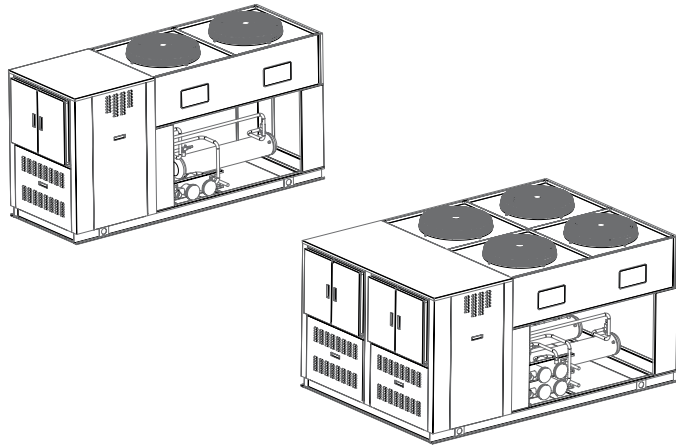
Bulletin K40-KMZ-PDS-1
Part # 1110401

Outdoor Air-Cooled
Scroll Condensing Units

5 to 34 HP -
High, Medium and Low
Temperature Refrigeration

60
Hz


	PRODUCT SUPPORT	
	web: www.k-rp.com/km	
	email: mdcu-lgcu@k-rp.com	
	call: 1-844-893-3222 x522	



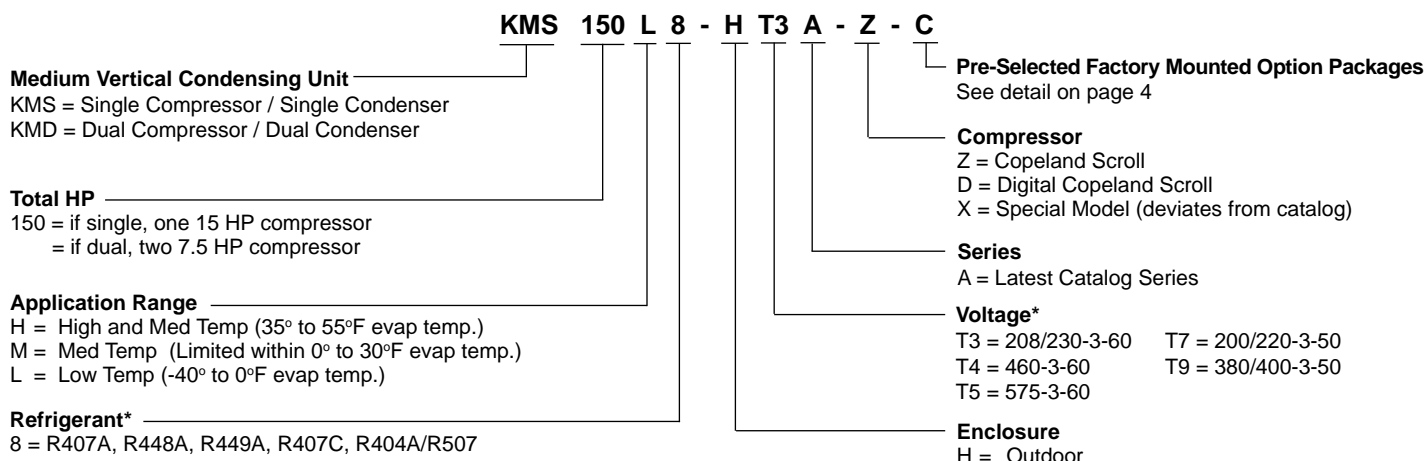
	INCLUDES RATINGS FOR
	LOW GWP REFRIGERANTS

LIMITROL 
FLOATING HEAD PRESSURE CONTROL SYSTEM
See Page 5 for details

CONTENTS

	Page
Nomenclature.....	2
Features and Options	2 - 4
LIMITROL  Floating Head Pressure Control System.....	5
Capacity Data (Imperial and <i>Metric</i>).....	5 - 27
Electrical Data.....	28 - 31
Dimensional Data.....	32 - 33
Specifications.....	34
Annual Walk-In Energy Factor (AWEF) Ratings.....	35
Wiring Diagrams	36 - 41
Project Information.....	43
Product Support Resources.....	BACK

NOMENCLATURE



* subject to compressor availability

FEATURES

- Compatible with Low GWP Refrigerants
- Units are **UL_{US}** Listed.
- Designed for use with a wide variety of refrigerants
- Energy efficient compressors with POE.
- Single, Dual and parallel-piped (optional) compressor configurations available.
- Thermospan™ condenser core design eliminates tube sheet leaks and provides reliable operation.
- 3/8" condenser tubes reduces refrigerant charge.
- Generously sized condenser allows unit to operate at higher than normal ambient conditions.
- Optional coating and fin surfaces for condenser core protection available.
- Receivers (where used) are liberally sized and include inlet as well as outlet service valves.
- Subcooling circuit in condenser on all models (except high temperature H8 models) increases overall system efficiency and provides dependable compressor operation.
- Utilizes pre-formed internal piping, eliminates welded joints and reduces chances of a leak.
- Electrical components are housed in a spacious and conveniently located panel. In case of a compressor trip, a Lock-out relay de-energizes the liquid line solenoid valve. In addition, SPDT contact is provided for field wired alarm circuit.
- End compartment panels allow unrestricted access to service the compressor(s) and all other components.
- Units are environmentally friendly operating on less power and refrigerant charge.

Standard features include:

- Vibration absorber grommets for all compressor mounting, discharge vibration eliminator for K5 scrolls.
- Liquid Injection (with DTC valve) on low temperature models
- Compressor crankcase heater
- Flexible hose on all compressor pressure control connections
- Two valve adjustable (pre-set at factory) Low Ambient head pressure control.
- Condenser fan cycling control (pressure) on two-fan models.
- Fused condenser fan motors
- Receiver inlet/outlet valves and safety pressure relief valve
- Replaceable liquid line drier & sight glass
- Anti-short cycle time delay relay
- Oil failure control (non-electronic)
- Separate HP and LP compressor controls.
- Sub-cooling circuit on medium and low temperature units.

AVAILABLE OPTIONS**Factory installed Optional Features include:**

- Suction accumulator (with or without heat exchanger)
- Replaceable suction filter
- Insulated suction lines.
- Crankcase Pressure Regulating valve
- Discharge line check valve
- Hot gas bypass tees / regulating valves / de-superheating TXV
- Oil separator
- Oversized condenser (except largest unit)
- Variable speed EC motors only as head pressure control (see Bulletin K40-HPC-AG for details)
- Oversized receiver
- Heated and insulated receiver
- Disconnect switch (fused or non-fused).
- Compressor circuit breaker
- Voltage / Phase monitor
- Defrost Time clock
- Defrost Heater / Evaporator Fan Contactors with fuse block
- Single point electrical service hook up for evaporator and controls
- Lock out relay
- Discharge line thermostat
- **Limitrol+ Floating Head Pressure Control System** (see page 5 or Bulletin K40-LIMITROL-AG for details)
- Digital Scroll on certain models (consult factory)

Pre-Selected Factory Mounted Option Packages are available for your convenience. See page 4

SELECTION OF TWO-COMPRESSOR UNITS

KMD condensing units are dual compressor units. The ratings shown are the total capacity of two compressors operating simultaneously. Standard KMD models are designed with two

independently operating systems, each with a separate refrigeration circuit. Optional parallel piped compressors (one total system) are available. Consult factory.

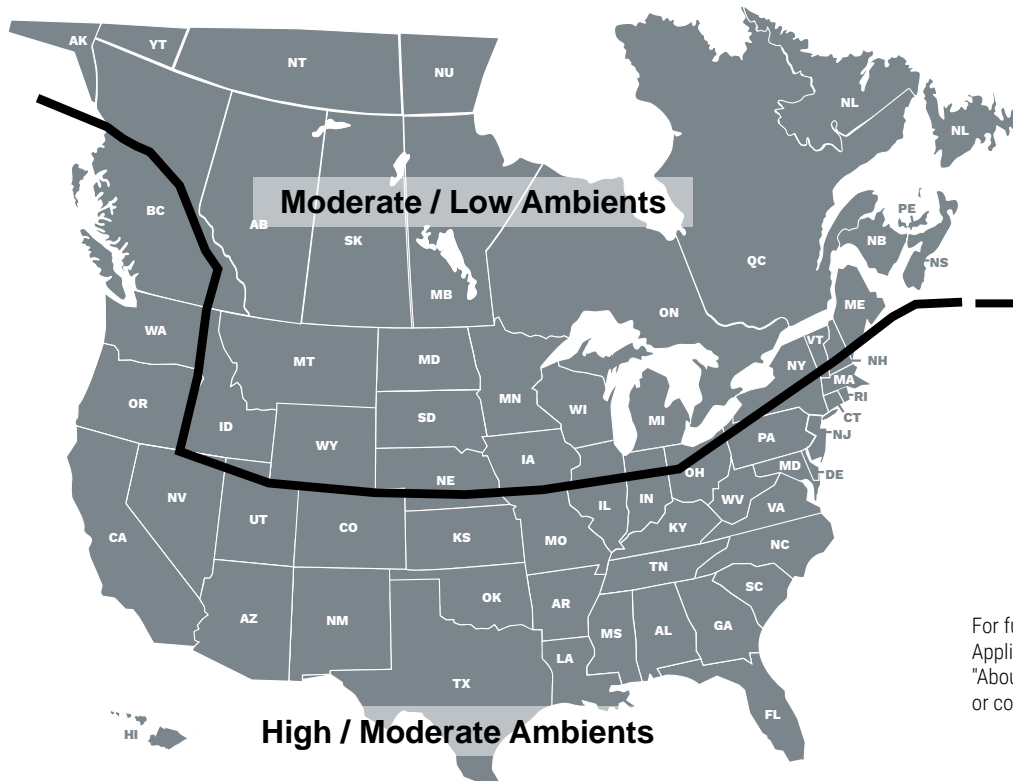
PRE-SELECTED FACTORY MOUNTED OPTION PACKAGES

	For High / Moderate Ambients	For Moderate / Low Ambients
GOOD ○○○	Package B: + Suction Accumulator w/o Heat Exchanger + Suction Filter - Replaceable	Package C: + Suction Accumulator w/o Heat Exchanger + Suction Filter - Replaceable + Heated and Insulated Receiver
BETTER ○○○	Package D: + Suction Accumulator w/o Heat Exchanger + Suction Filter - Replaceable + Oil Separator / Check Valve, Solenoid, Filter & Strainer	Package E: + Suction Accumulator w/o Heat Exchanger + Suction Filter - Replaceable + Oil Separator / Check Valve, Solenoid, Filter & Strainer + Heated and Insulated Receiver
BEST ○○○	Package F: + Suction Accumulator w/o Heat Exchanger + Suction Filter - Replaceable + Oil Separator / Check Valve, Solenoid, Filter & Strainer + Phase Monitor ¹	Package G: + Suction Accumulator w/o Heat Exchanger + Suction Filter - Replaceable + Oil Separator / Check Valve, Solenoid, Filter & Strainer + Phase Monitor ¹ + Heated and Insulated Receiver

¹ Phase Monitor - 6 Wire

For information on Evaporator Defrost Kits and Fuse Packages, visit www.k-rp.com/dfk

RECOMMENDATIONS FOR SELECTING FACTORY MOUNTED OPTION PACKAGES



For Moderate / Low Ambients:
 Good: Package C
 Better: Package E
 Best: Package G

For High / Moderate Ambients:
 Good: Package B
 Better: Package D
 Best: Package F

For further details, visit our website and see Application Bulletin KAB-0101-02-1: "About Heated And Insulated Receivers" or contact your local sales representative.

- **Reduces compressor energy consumption and run time**
 - **EC motor technology further saves energy and reduces electrical requirements**
- **Lowered environmental impact through reduced refrigerant use**
 - **Stable system performance in lower ambients**

What is Limitrol+? Limitrol+ combines various technologies into a responsive system that floats head pressure, saving energy and reduces environmental impact. Unlike competitive systems, Limitrol+ combines variable speed EC motor technology, condenser portioning and various systems modifications to provide the ultimate in performance and control. As a result, Limitrol+ functions in much colder ambients where previous systems have proven ineffective.

What does it do? Conventional head pressure control systems maintain a constant head pressure regardless of ambient temperatures. Limitrol+ intelligently responds to ambient conditions to float head pressure without sacrificing system performance at lower temperatures.

What are its applications?

- Condensing units over 5 HP
- Ideally suited and most effective in applications with fluctuating ambients
- Perfect for installations where reduced refrigerant charges are desired or required.

How much can Limitrol+ save you?

MODEL	Philadelphia, PA		New York, NY		Boston, MA		Charlotte, NC		Atlanta, GA		Los Angeles, CA		St Louis, MO		St. Paul, MN		Toronto, ONT	
	%	\$	%	\$	%	\$	%	\$	%	\$	%	\$	%	\$	%	\$	%	\$
5 HP Cooler	22	616	23	1,099	25	1,081	18	474	16	521	16	835	20	624	25	798	27	638
7.5 HP Cooler	21	1,008	22	1,805	23	1,707	18	843	17	954	17	1,499	19	1,053	24	1,270	25	1,000
10 HP Cooler	18	1,204	18	2,131	20	2,095	15	975	14	1,089	18	2,446	16	1,227	20	1,529	21	1,223
15 HP Cooler	19	1,852	20	3,300	21	3,170	16	1,567	15	1,767	19	3,570	17	1,916	22	2,337	22	1,834
6 HP Freezer	24	903	25	1,621	26	1,548	21	753	20	848	23	1,548	22	928	26	1,119	27	891
7.5 HP Freezer	21	994	21	1,783	23	1,726	17	800	16	891	18	1,591	19	1,012	23	1,255	24	1,004
13 HP Freezer	19	1,425	19	2,535	21	2,450	16	1,150	15	1,286	15	2,110	17	1,471	21	1,798	22	1,428
15 HP Freezer	18	1,602	19	2,846	20	2,717	16	1,312	15	1,479	14	2,224	17	1,672	20	2,009	21	1,587

* The above is a BIN Hour Analysis. Weather data was used from ASHRAE Weather Data Viewer and electrical rates for each city are based on data from EIA (U.S. Energy Information Administration).
 ** Above numbers do not include refrigerant savings, and further cost savings can be expected.

For more information on Head Pressure Control, please refer to our “Head Pressure Control Application Guide” (Bulletin K40-HPC-AG)

CAPACITY DATA - R407A
HIGH TEMPERATURE

MODEL KMS	SATURATED SUCTION TEMPERATURE F° (C°)	CAPACITY BTU/H (WATTS) R407A AMBIENT TEMPERATURE °F (°C)					
		85 (29.4)	90 (32.2)	95 (35.0)	100 (37.8)	105 (40.6)	110 (43.3)
KMS050H8-Z	45 (7.2)	73300 (21480)	71000 (20810)	68600 (20100)	66100 (19370)	63500 (18610)	60900 (17850)
Comp. Model	40 (4.4)	67100 (19660)	65000 (19050)	62800 (18400)	60500 (17730)	58100 (17030)	55700 (16320)
ZB38KCE †	35 (1.7)	61300 (17970)	59300 (17380)	57300 (16790)	55200 (16180)	53000 (15530)	50700 (14860)
KMS060H8-Z	45 (7.2)	83400 (24440)	80700 (23650)	77900 (22830)	75000 (21980)	72000 (21100)	68900 (20190)
Comp. Model	40 (4.4)	76400 (22390)	73900 (21660)	71300 (20900)	68600 (20100)	65900 (19310)	63000 (18460)
ZB45KCE †	35 (1.7)	69800 (20460)	67400 (19750)	65100 (19080)	62600 (18350)	60000 (17580)	57400 (16820)
KMS061H8-Z	45 (7.2)	92700 (27170)	89600 (26260)	86400 (25320)	83100 (24350)	79700 (23360)	76200 (22330)
Comp. Model	40 (4.4)	85100 (24940)	82200 (24090)	79200 (23210)	76100 (22300)	73000 (21390)	69800 (20460)
ZB48KCE	35 (1.7)	77700 (22770)	75100 (22010)	72300 (21190)	69500 (20370)	66600 (19520)	63700 (18670)
KMS070H8-Z	45 (7.2)	107100 (31390)	103800 (30420)	100500 (29450)	97200 (28490)	93800 (27490)	90300 (26460)
Comp. Model	40 (4.4)	98000 (28720)	95000 (27840)	92000 (26960)	88900 (26050)	85800 (25150)	82700 (24240)
ZB57KCE †	35 (1.7)	89400 (26200)	86700 (25410)	84000 (24620)	81200 (23800)	78400 (22980)	75500 (22130)
KMS076H8-Z	45 (7.2)	123900 (36310)	120000 (35170)	115900 (33970)	111700 (32740)	107300 (31450)	102800 (30130)
Comp. Model	40 (4.4)	114000 (33410)	110300 (32330)	106500 (31210)	102500 (30040)	98400 (28840)	94200 (27610)
ZB66K5E	35 (1.7)	104400 (30600)	100900 (29570)	97300 (28520)	93600 (27430)	89800 (26320)	85900 (25170)
KMS085H8-Z	45 (7.2)	144600 (42380)	139200 (40800)	133800 (39210)	128300 (37600)	122900 (36020)	117400 (34410)
Comp. Model	40 (4.4)	131400 (38510)	126700 (37130)	122000 (35750)	117300 (34380)	112500 (32970)	107700 (31560)
ZB76K5E †	35 (1.7)	119400 (34990)	115300 (33790)	111200 (32590)	107100 (31390)	102900 (30160)	98700 (28930)
KMS110H8-Z	45 (7.2)	180000 (52750)	174500 (51140)	168700 (49440)	162500 (47620)	156000 (45720)	149300 (43760)
Comp. Model	40 (4.4)	165500 (48500)	160300 (46980)	154700 (45340)	148900 (43640)	142800 (41850)	136500 (40000)
ZB95K5E	35 (1.7)	151500 (44400)	146500 (42930)	141300 (41410)	135800 (39800)	130100 (38130)	124300 (36430)
KMS150H8-Z	45 (7.2)	212100 (62160)	205500 (60230)	198500 (58170)	191200 (56030)	183600 (53810)	175800 (51520)
Comp. Model	40 (4.4)	195000 (57150)	188700 (55300)	182100 (53370)	175100 (51320)	168000 (49240)	160600 (47070)
ZB114K5E †	35 (1.7)	178400 (52280)	172400 (50530)	166100 (48680)	159600 (46770)	152900 (44810)	146000 (42790)

NOTES: - Above ratings are based on mean temperature. - To convert to dew point ratings, use 0.95 multiplier.

† Available with Digital compressor (consult factory)

CAPACITY DATA - R448A R449A
HIGH TEMPERATURE

MODEL KMS	SATURATED SUCTION TEMPERATURE F° (C°)	CAPACITY BTU/H (WATTS) R448A R449A AMBIENT TEMPERATURE °F (°C)											
		85 (29.4)	90 (32.2)	95 (35.0)	100 (37.8)	105 (40.6)	110 (43.3)						
KMS050H8-Z Comp. Model ZB38KCE †	45 (7.2)	72500 (21250)	70100 (20540)	67600 (19810)	65100 (19080)	62600 (18350)	60200 (17640)	66100 (19370)	63900 (18730)	61600 (18050)	59400 (17410)	57100 (16730)	54800 (16060)
	40 (4.4)	66100 (19370)	63900 (18730)	61600 (18050)	59400 (17410)	57100 (16730)	54800 (16060)	60200 (17640)	58200 (17060)	56100 (16440)	54000 (15830)	51900 (15210)	49900 (14620)
	35 (1.7)	60200 (17640)	58200 (17060)	56100 (16440)	54000 (15830)	51900 (15210)	49900 (14620)	85000 (24910)	82100 (24060)	79100 (23180)	76200 (22330)	73200 (21450)	70200 (20570)
KMS060H8-Z Comp. Model ZB45KCE †	45 (7.2)	85000 (24910)	82100 (24060)	79100 (23180)	76200 (22330)	73200 (21450)	70200 (20570)	77600 (22740)	74900 (21950)	72300 (21190)	69500 (20370)	66800 (19580)	64100 (18790)
	40 (4.4)	77600 (22740)	74900 (21950)	72300 (21190)	69500 (20370)	66800 (19580)	64100 (18790)	70700 (20720)	68300 (20020)	65800 (19280)	63400 (18580)	60900 (17850)	58400 (17120)
	35 (1.7)	70700 (20720)	68300 (20020)	65800 (19280)	63400 (18580)	60900 (17850)	58400 (17120)	95000 (27840)	91700 (26870)	88400 (25910)	85000 (24910)	81600 (23910)	78300 (22950)
KMS061H8-Z Comp. Model ZB48KCE	45 (7.2)	95000 (27840)	91700 (26870)	88400 (25910)	85000 (24910)	81600 (23910)	78300 (22950)	86800 (25440)	83700 (24530)	80700 (23650)	77600 (22740)	74500 (21830)	71500 (20950)
	40 (4.4)	86800 (25440)	83700 (24530)	80700 (23650)	77600 (22740)	74500 (21830)	71500 (20950)	79100 (23180)	76300 (22360)	73500 (21540)	70700 (20720)	67900 (19900)	65100 (19080)
	35 (1.7)	79100 (23180)	76300 (22360)	73500 (21540)	70700 (20720)	67900 (19900)	65100 (19080)	111600 (32710)	107800 (31590)	104000 (30480)	100100 (29340)	96100 (28160)	91900 (26930)
KMS070H8-Z Comp. Model ZB57KCE †	45 (7.2)	111600 (32710)	107800 (31590)	104000 (30480)	100100 (29340)	96100 (28160)	91900 (26930)	101800 (29830)	98400 (28840)	95000 (27840)	91500 (26820)	87800 (25730)	84100 (24650)
	40 (4.4)	101800 (29830)	98400 (28840)	95000 (27840)	91500 (26820)	87800 (25730)	84100 (24650)	92600 (27140)	89600 (26260)	86600 (25380)	83400 (24440)	80200 (23500)	76900 (22540)
	35 (1.7)	92600 (27140)	89600 (26260)	86600 (25380)	83400 (24440)	80200 (23500)	76900 (22540)	126700 (37130)	122400 (35870)	118000 (34580)	113500 (33260)	108900 (31920)	104300 (30570)
KMS076H8-Z Comp. Model ZB66K5E	45 (7.2)	126700 (37130)	122400 (35870)	118000 (34580)	113500 (33260)	108900 (31920)	104300 (30570)	115800 (33940)	111700 (32740)	107700 (31560)	103500 (30330)	99300 (29100)	95000 (27840)
	40 (4.4)	115800 (33940)	111700 (32740)	107700 (31560)	103500 (30330)	99300 (29100)	95000 (27840)	105400 (30890)	101800 (29830)	98000 (28720)	94200 (27610)	90300 (26460)	86300 (25290)
	35 (1.7)	105400 (30890)	101800 (29830)	98000 (28720)	94200 (27610)	90300 (26460)	86300 (25290)	141800 (41560)	137300 (40240)	132700 (38890)	127900 (37480)	123100 (36080)	118100 (34610)
KMS085H8-Z Comp. Model ZB76K5E †	45 (7.2)	141800 (41560)	137300 (40240)	132700 (38890)	127900 (37480)	123100 (36080)	118100 (34610)	129900 (38070)	125700 (36840)	121500 (35610)	117100 (34320)	112500 (32970)	107800 (31590)
	40 (4.4)	129900 (38070)	125700 (36840)	121500 (35610)	117100 (34320)	112500 (32970)	107800 (31590)	118700 (34790)	114900 (33670)	110900 (32500)	106900 (31330)	102600 (30070)	98200 (28780)
	35 (1.7)	118700 (34790)	114900 (33670)	110900 (32500)	106900 (31330)	102600 (30070)	98200 (28780)	183900 (53900)	177800 (52110)	171500 (50260)	164900 (48330)	158000 (46310)	150900 (44220)
KMS110H8-Z Comp. Model ZB95K5E	45 (7.2)	183900 (53900)	177800 (52110)	171500 (50260)	164900 (48330)	158000 (46310)	150900 (44220)	167300 (49030)	161700 (47390)	155900 (45690)	149800 (43900)	143400 (42030)	136700 (40060)
	40 (4.4)	167300 (49030)	161700 (47390)	155900 (45690)	149800 (43900)	143400 (42030)	136700 (40060)	151800 (44490)	146700 (42990)	141300 (41410)	135600 (39740)	129700 (38010)	123400 (36160)
	35 (1.7)	151800 (44490)	146700 (42990)	141300 (41410)	135600 (39740)	129700 (38010)	123400 (36160)	213700 (62630)	206800 (60610)	199600 (58500)	192300 (56360)	184600 (54100)	176700 (51790)
KMS150H8-Z Comp. Model ZB114K5E †	45 (7.2)	213700 (62630)	206800 (60610)	199600 (58500)	192300 (56360)	184600 (54100)	176700 (51790)	194900 (57120)	188500 (55240)	181900 (53310)	175000 (51290)	167800 (49180)	160400 (47010)
	40 (4.4)	194900 (57120)	188500 (55240)	181900 (53310)	175000 (51290)	167800 (49180)	160400 (47010)	177300 (51960)	171300 (50200)	165100 (48390)	158700 (46510)	152000 (44550)	144900 (42470)
	35 (1.7)	177300 (51960)	171300 (50200)	165100 (48390)	158700 (46510)	152000 (44550)	144900 (42470)						

NOTES: - Above ratings are based on mean temperature. - To convert to dew point ratings, use 0.95 multiplier.

† Available with Digital compressor (consult factory)

CAPACITY DATA - R407C
HIGH TEMPERATURE

MODEL KMS	SATURATED SUCTION TEMPERATURE F° (C°)	CAPACITY BTU/H (WATTS) R407C AMBIENT TEMPERATURE °F (°C)									
		85 (29.4)	90 (32.2)	95 (35.0)	100 (37.8)	105 (40.6)	110 (43.3)				
KMS050H8-Z Compressor Model ZB38KCE †	55 (12.8)	80500 (23590)	78600 (23040)	76600 (22450)	74500 (21830)	72300 (21190)	69900 (20490)				
	50 (10)	74100 (21720)	72300 (21190)	70400 (20630)	68400 (20050)	66300 (19430)	64100 (18790)				
	45 (7.2)	67900 (19900)	66300 (19430)	64500 (18900)	62600 (18350)	60600 (17760)	58600 (17170)				
	40 (4.4)	62100 (18200)	60500 (17730)	58800 (17230)	57100 (16730)	55200 (16180)	53300 (15620)				
	35 (-17.8)	56600 (16590)	55100 (16150)	53500 (15680)	51900 (15210)	50200 (14710)	48400 (14180)				
KMS060H8-Z Compressor Model ZB45KCE †	55 (12.8)	96600 (28310)	93900 (27520)	91200 (26730)	88300 (25880)	85300 (25000)	82200 (24090)				
	50 (10)	88900 (26050)	86400 (25320)	83800 (24560)	81100 (23770)	78200 (22920)	75300 (22070)				
	45 (7.2)	81600 (23910)	79300 (23240)	76800 (22510)	74200 (21750)	71600 (20980)	68800 (20160)				
	40 (4.4)	74700 (21890)	72400 (21220)	70100 (20540)	67700 (19840)	65200 (19110)	62600 (18350)				
	35 (-17.8)	68000 (19930)	65900 (19310)	63700 (18670)	61500 (18020)	59200 (17350)	56800 (16650)				
KMS061H8-Z Compressor Model ZB48KCE	55 (12.8)	105300 (30860)	101900 (29860)	98400 (28840)	94800 (27780)	91200 (26730)	87400 (25610)				
	50 (10)	95900 (28110)	92800 (27200)	89600 (26260)	86400 (25320)	83100 (24350)	79600 (23330)				
	45 (7.2)	87100 (25530)	84300 (24710)	81400 (23860)	78500 (23010)	75400 (22100)	72300 (21190)				
	40 (4.4)	78800 (23090)	76300 (22360)	73700 (21600)	71000 (20810)	68200 (19990)	65300 (19140)				
	35 (-17.8)	71100 (20840)	68800 (20160)	66400 (19460)	64000 (18760)	61400 (17990)	58800 (17230)				
KMS070H8-Z Compressor Model ZB57KCE †	55 (12.8)	123400 (36160)	120700 (35370)	117800 (34520)	114800 (33640)	111700 (32740)	108400 (31770)				
	50 (10)	113300 (33200)	110700 (32440)	108000 (31650)	105200 (30830)	102200 (29950)	99200 (29070)				
	45 (7.2)	103700 (30390)	101300 (29690)	98800 (28960)	96100 (28160)	93300 (27340)	90500 (26520)				
	40 (4.4)	94700 (27750)	92400 (27080)	90000 (26380)	87500 (25640)	84900 (24880)	82300 (24120)				
	35 (-17.8)	86100 (25230)	84000 (24620)	81800 (23970)	79500 (23300)	77100 (22600)	74600 (21860)				
KMS076H8-Z Comp. Model ZB66K5E	45 (7.2)	122900 (36020)	119700 (35080)	116500 (34140)	113200 (33180)	109800 (32180)	106400 (31180)				
	40 (4.4)	111700 (32740)	108800 (31890)	105900 (31040)	102800 (30130)	99700 (29220)	96400 (28250)				
	35 (1.7)	101300 (29690)	98700 (28930)	95900 (28110)	93100 (27280)	90200 (26430)	87200 (25560)				
KMS085H8-Z Comp. Model ZB76K5E †	45 (7.2)	141600 (41500)	137800 (40390)	133900 (39240)	129900 (38070)	125800 (36870)	121700 (35670)				
	40 (4.4)	129000 (37810)	125500 (36780)	122000 (35750)	118300 (34670)	114600 (33590)	110800 (32470)				
	35 (1.7)	117300 (34380)	114100 (33440)	110800 (32470)	107500 (31510)	104100 (30510)	100700 (29510)				
KMS110H8-Z Comp. Model ZB95K5E	45 (7.2)	177500 (52020)	172400 (50530)	167200 (49000)	161900 (47450)	156400 (45840)	150800 (44190)				
	40 (4.4)	161100 (47210)	156300 (45810)	151500 (44400)	146500 (42930)	141500 (41470)	136300 (39950)				
	35 (1.7)	145700 (42700)	141400 (41440)	136900 (40120)	132300 (38770)	127600 (37400)	122700 (35960)				
KMS150H8-Z Compressor Model ZB114K5E †	55 (12.8)	244300 (71600)	237500 (69600)	230600 (67580)	223500 (65500)	216300 (63390)	208900 (61220)				
	50 (10)	223400 (65470)	217200 (63650)	210800 (61780)	204200 (59840)	197500 (57880)	190700 (55890)				
	45 (7.2)	203800 (59730)	198100 (58060)	192200 (56330)	186100 (54540)	179900 (52720)	173600 (50880)				
	40 (4.4)	185500 (54360)	180200 (52810)	174800 (51230)	169200 (49590)	163500 (47920)	157600 (46190)				
	35 (-17.8)	168400 (49350)	163500 (47920)	158500 (46450)	153400 (44960)	148100 (43400)	142700 (41820)				

NOTES: - Above ratings are based on mean temperature. - To convert to dew point ratings, use 0.95 multiplier.

† Available with Digital compressor (consult factory)

CAPACITY DATA - R407C
MEDIUM TEMPERATURE

MODEL KMS	SATURATED SUCTION TEMPERATURE ° F ° C		CAPACITY BTU/H (WATTS) R407C AMBIENT TEMPERATURE °F (°C)							
			85 (29.4)	90 (32.2)	95 (35.0)	100 (37.8)	105 (40.6)	110 (43.3)		
KMS050M8-Z Compressor Model ZB38KCE †	30 (-1.1)		51600 (15120)	50000 (14650)	48500 (14210)	46900 (13740)	45300 (13280)	43700 (12810)		
	25 (-3.9)		46700 (13690)	45300 (13280)	43900 (12870)	42500 (12460)	41000 (12020)	39500 (11580)		
	20 (-6.7)		42200 (12370)	41000 (12020)	39700 (11630)	38400 (11250)	37000 (10840)	35600 (10430)		
	15 (-9.4)		38100 (11170)	36900 (10810)	35700 (10460)	34500 (10110)	33300 (9760)	32000 (9380)		
	10 (-12.2)		34200 (10020)	33200 (9730)	32100 (9410)	30900 (9060)	29800 (8730)	28500 (8350)		
KMS060M8-Z Compressor Model ZB45KCE †	30 (-1.1)		61700 (18080)	59700 (17500)	57700 (16910)	55600 (16290)	53500 (15680)	51300 (15030)		
	25 (-3.9)		55800 (16350)	53900 (15800)	52100 (15270)	50100 (14680)	48200 (14130)	46200 (13540)		
	20 (-6.7)		50200 (14710)	48500 (14210)	46700 (13690)	45000 (13190)	43200 (12660)	41400 (12130)		
	15 (-9.4)		44900 (13160)	43400 (12720)	41800 (12250)	40200 (11780)	38600 (11310)	37100 (10870)		
	10 (-12.2)		40000 (11720)	38600 (11310)	37200 (10900)	35800 (10490)	34500 (10110)	33100 (9700)		
KMS061M8-Z Compressor Model ZB48KCE	30 (-1.1)		63800 (18700)	61800 (18110)	59600 (17470)	57400 (16820)	55000 (16120)	52600 (15420)		
	25 (-3.9)		57100 (16730)	55200 (16180)	53200 (15590)	51100 (14980)	49000 (14360)	46800 (13720)		
	20 (-6.7)		50700 (14860)	49000 (14360)	47200 (13830)	45300 (13280)	43300 (12690)	41300 (12100)		
	15 (-9.4)		44800 (13130)	43200 (12660)	41500 (12160)	39700 (11630)	37900 (11110)	36000 (10550)		
	10 (-12.2)		39200 (11490)	37700 (11050)	36100 (10580)	34500 (10110)	32800 (9610)	31000 (9090)		
KMS070M8-Z Compressor Model ZB57KCE †	30 (-1.1)		78100 (22890)	76100 (22300)	74100 (21720)	71900 (21070)	69700 (20430)	67400 (19750)		
	25 (-3.9)		70600 (20690)	68800 (20160)	66800 (19580)	64800 (18990)	62800 (18400)	60700 (17790)		
	20 (-6.7)		63600 (18640)	61900 (18140)	60100 (17610)	58300 (17090)	56400 (16530)	54400 (15940)		
	15 (-9.4)		57000 (16700)	55400 (16240)	53800 (15770)	52100 (15270)	50400 (14770)	48700 (14270)		
	10 (-12.2)		50900 (14920)	49500 (14510)	48000 (14070)	46500 (13630)	45000 (13190)	43400 (12720)		
KMS076M8-Z Compressor Model ZB66K5E	30 (-1.1)		91700 (26870)	89200 (26140)	86700 (25410)	84100 (24650)	81400 (23860)	78700 (23060)		
	25 (-3.9)		82700 (24240)	80500 (23590)	78100 (22890)	75700 (22190)	73300 (21480)	70700 (20720)		
	20 (-6.7)		74500 (21830)	72400 (21220)	70200 (20570)	68000 (19930)	65700 (19250)	63400 (18580)		
	15 (-9.4)		66900 (19610)	64900 (19020)	62900 (18430)	60900 (17850)	58800 (17230)	56600 (16590)		
	10 (-12.2)		59800 (17530)	58000 (17000)	56200 (16470)	54300 (15910)	52300 (15330)	50300 (14740)		
KMS085M8-Z Compressor Model ZB76K5E †	30 (-1.1)		106400 (31180)	103500 (30330)	100500 (29450)	97500 (28570)	94400 (27670)	91300 (26760)		
	25 (-3.9)		96200 (28190)	93600 (27430)	90900 (26640)	88200 (25850)	85400 (25030)	82500 (24180)		
	20 (-6.7)		86800 (25440)	84400 (24740)	82000 (24030)	79500 (23300)	77000 (22570)	74500 (21830)		
	15 (-9.4)		78100 (22890)	76000 (22270)	73800 (21630)	71600 (20980)	69300 (20310)	67000 (19640)		
	10 (-12.2)		70100 (20540)	68200 (19990)	66200 (19400)	64200 (18820)	62100 (18200)	60100 (17610)		
KMS110M8-Z Compressor Model ZB95K5E	30 (-1.1)		131500 (38540)	127400 (37340)	123300 (36140)	119000 (34880)	114600 (33590)	110200 (32300)		
	25 (-3.9)		118200 (34640)	114500 (33560)	110700 (32440)	106700 (31270)	102700 (30100)	98500 (28870)		
	20 (-6.7)		106000 (31070)	102500 (30040)	99000 (29010)	95300 (27930)	91600 (26850)	87700 (25700)		
	15 (-9.4)		94700 (27750)	91500 (26820)	88200 (25850)	84800 (24850)	81300 (23830)	77800 (22800)		
	10 (-12.2)		84300 (24710)	81300 (23830)	78200 (22920)	75100 (22010)	71900 (21070)	68600 (20100)		
KMS150M8-Z Compressor Model ZB114K5E †	30 (-1.1)		152400 (44660)	147900 (43350)	143400 (42030)	138600 (40620)	133800 (39210)	128800 (37750)		
	25 (-3.9)		137600 (40330)	133500 (39120)	129300 (37890)	124900 (36600)	120400 (35290)	115900 (33970)		
	20 (-6.7)		123800 (36280)	120100 (35200)	116200 (34050)	112200 (32880)	108100 (31680)	103800 (30420)		
	15 (-9.4)		111100 (32560)	107600 (31530)	104000 (30480)	100400 (29420)	96600 (28310)	92700 (27170)		
	10 (-12.2)		99300 (29100)	96100 (28160)	92800 (27200)	89400 (26200)	85900 (25170)	82300 (24120)		

NOTES: - Above ratings are based on mean temperature. - To convert to dew point ratings, use 0.95 multiplier.

Shaded Area Restriction: 20°F Max Superheat

† Available with Digital compressor (consult factory)

MODEL KMS	SATURATED SUCTION TEMPERATURE F° (C°)	CAPACITY BTU/H (WATTS) R404A R507 AMBIENT TEMPERATURE °F (°C)							
		85 (29.4)	90 (32.2)	95 (35.0)	100 (37.8)	105 (40.6)	110 (43.3)		
KMS050H8-Z Comp. Model ZB38KCE †	45 (7.2)	69800 (20460)	67100 (19660)	64400 (18870)	61600 (18050)	58800 (17230)	55900 (16380)		
	40 (4.4)	64700 (18960)	62200 (18230)	59700 (17500)	57100 (16730)	54400 (15940)	51600 (15120)		
	35 (1.7)	59800 (17530)	57500 (16850)	55100 (16150)	52600 (15420)	50100 (14680)	47600 (13950)		
KMS060H8-Z Comp. Model ZB45KCE †	45 (7.2)	81000 (23740)	77800 (22800)	74600 (21860)	71300 (20900)	68000 (19930)	64700 (18960)		
	40 (4.4)	75100 (22010)	72100 (21130)	69100 (20250)	66100 (19370)	63000 (18460)	59900 (17550)		
	35 (1.7)	69400 (20340)	66700 (19550)	63900 (18730)	61100 (17910)	58200 (17060)	55300 (16210)		
KMS061H8-Z Comp. Model ZB48KCE	45 (7.2)	89400 (26200)	85900 (25170)	82300 (24120)	78600 (23040)	74900 (21950)	71100 (20840)		
	40 (4.4)	83000 (24320)	79700 (23360)	76300 (22360)	72900 (21360)	69500 (20370)	65900 (19310)		
	35 (1.7)	76900 (22540)	73800 (21630)	70600 (20690)	67500 (19780)	64300 (18840)	61000 (17880)		
KMS070H8-Z Comp. Model ZB57KCE †	45 (7.2)	107700 (31560)	103700 (30390)	99600 (29190)	95400 (27960)	91100 (26700)	86600 (25380)		
	40 (4.4)	99600 (29190)	95900 (28110)	92100 (26990)	88300 (25880)	84300 (24710)	80200 (23500)		
	35 (1.7)	91800 (26900)	88400 (25910)	85000 (24910)	81500 (23890)	77800 (22800)	74100 (21720)		
KMS076H8-Z Comp. Model ZB66K5E	45 (7.2)	125300 (36720)	120200 (35230)	115100 (33730)	110000 (32240)	104900 (30740)	99600 (29190)		
	40 (4.4)	115900 (33970)	111300 (32620)	106600 (31240)	101900 (29860)	97100 (28460)	92300 (27050)		
	35 (1.7)	107000 (31360)	102800 (30130)	98500 (28870)	94200 (27610)	89800 (26320)	85400 (25030)		
KMS085H8-Z Comp. Model ZB76K5E †	45 (7.2)	140900 (41290)	135300 (39650)	129700 (38010)	124000 (36340)	118300 (34670)	112500 (32970)		
	40 (4.4)	130400 (38220)	125300 (36720)	120100 (35200)	114900 (33670)	109600 (32120)	104200 (30540)		
	35 (1.7)	120500 (35310)	115800 (33940)	111000 (32530)	106200 (31120)	101300 (29690)	96400 (28250)		
KMS110H8-Z Comp. Model ZB95K5E	45 (7.2)	178600 (52340)	171600 (50290)	164400 (48180)	157200 (46070)	149800 (43900)	142300 (41700)		
	40 (4.4)	165400 (48470)	158900 (46570)	152300 (44630)	145600 (42670)	138800 (40680)	131800 (38630)		
	35 (1.7)	152800 (44780)	146800 (43020)	140700 (41230)	134500 (39420)	128200 (37570)	121800 (35700)		
KMS150H8-Z Comp. Model ZB114K5E †	45 (7.2)	208200 (61020)	200000 (58610)	191600 (56150)	183200 (53690)	174500 (51140)	165800 (48590)		
	40 (4.4)	193100 (56590)	185400 (54340)	177700 (52080)	169800 (49760)	161800 (47420)	153600 (45020)		
	35 (1.7)	178600 (52340)	171500 (50260)	164300 (48150)	157000 (46010)	149500 (43810)	141900 (41590)		

† Available with Digital compressor (consult factory)

CAPACITY DATA - R407A
HIGH TEMPERATURE

MODEL KMD	SATURATED SUCTION TEMPERATURE F° (C°)	CAPACITY BTU/H (WATTS) R407A AMBIENT TEMPERATURE °F (°C)									
		85 (29.4)	90 (32.2)	95 (35.0)	100 (37.8)	105 (40.6)	110 (43.3)				
KMD100H8-Z	45 (7.2)	146600 (42960)	142000 (41620)	137200 (40210)	132200 (38740)	127000 (37220)	121800 (35700)	116600 (34180)	111400 (32660)	106200 (31140)	
Comp. Model	40 (4.4)	134200 (39330)	130000 (38100)	125600 (36810)	121000 (35460)	116200 (34050)	111400 (32650)	106600 (31240)	101800 (29720)	97000 (28200)	
ZB38KCE †	35 (1.7)	122600 (35930)	118600 (34760)	114600 (33590)	110400 (32350)	106000 (31070)	101400 (29720)	96800 (28360)	92200 (27000)	87600 (25640)	
KMD120H8-Z	45 (7.2)	166800 (48880)	161400 (47300)	155800 (45660)	150000 (43960)	144000 (42200)	137800 (40390)	131600 (38630)	125400 (36870)	119200 (35100)	
Comp. Model	40 (4.4)	152800 (44780)	147800 (43320)	142600 (41790)	137200 (40210)	131800 (38630)	126000 (36930)	120000 (35170)	114000 (33640)	108000 (32100)	
ZB45KCE †	35 (1.7)	139600 (40910)	134800 (39510)	130200 (38160)	125200 (36690)	120000 (35170)	114800 (33640)	109600 (32100)	104400 (30560)	99200 (29080)	
KMD121H8-Z	45 (7.2)	185400 (54340)	179200 (52520)	172800 (50640)	166200 (48710)	159400 (46720)	152400 (44660)	145400 (42610)	138400 (40560)	131400 (38510)	
Comp. Model	40 (4.4)	170200 (49880)	164400 (48180)	158400 (46420)	152200 (44610)	146000 (42790)	139600 (40910)	133200 (39040)	126800 (37100)	120400 (35160)	
ZB48KCE	35 (1.7)	155400 (45540)	150200 (44020)	144600 (42380)	139000 (40740)	133200 (39040)	127400 (37340)	121600 (35600)	115800 (34160)	110000 (32720)	
KMD140H8-Z	45 (7.2)	214200 (62780)	207600 (60840)	201000 (58910)	194400 (56970)	187600 (54980)	180600 (52930)	173600 (50890)	166600 (48800)	159600 (46760)	
Comp. Model	40 (4.4)	196000 (57440)	190000 (55680)	184000 (53920)	177800 (52110)	171600 (50290)	165400 (48470)	159200 (46650)	153000 (44830)	146800 (43010)	
ZB57KCE †	35 (1.7)	178800 (52400)	173400 (50820)	168000 (49240)	162400 (47590)	156800 (45950)	151000 (44250)	145200 (42510)	139400 (40770)	133600 (39030)	
KMD151H8-Z	45 (7.2)	247800 (72620)	240000 (70340)	231800 (67930)	223400 (65470)	214600 (62890)	205600 (60260)	196600 (57680)	187600 (55010)	178600 (52360)	
Comp. Model	40 (4.4)	228000 (66820)	220600 (64650)	213000 (62420)	205000 (60080)	196800 (57680)	188400 (55210)	180000 (52760)	171600 (50350)	163200 (47940)	
ZB66K5E	35 (1.7)	208800 (61190)	201800 (59140)	194600 (57030)	187200 (54860)	179600 (52640)	171800 (50350)	164000 (48140)	156200 (45930)	148400 (43720)	
KMD170H8-Z	45 (7.2)	289200 (84760)	278400 (81590)	267600 (78430)	256600 (75200)	245800 (72040)	234800 (68810)	223800 (65580)	212800 (62350)	201800 (59120)	
Comp. Model	40 (4.4)	262800 (77020)	253400 (74260)	244000 (71510)	234600 (68750)	225000 (65940)	215400 (63130)	205800 (60310)	196200 (57500)	186600 (54880)	
ZB76K5E †	35 (1.7)	238800 (69990)	230600 (67580)	222400 (65180)	214200 (62780)	205800 (60310)	197400 (57850)	189000 (55420)	180600 (52990)	172200 (50620)	
KMD220H8-Z	45 (7.2)	360000 (105510)	349000 (102280)	337400 (98880)	325000 (95250)	312000 (91440)	298600 (87510)	285200 (83700)	271800 (80010)	258400 (76280)	
Comp. Model	40 (4.4)	331000 (97010)	320600 (93960)	309400 (90680)	297800 (87280)	285600 (83700)	273000 (80010)	260400 (76440)	247800 (73060)	235200 (69620)	
ZB95K5E	35 (1.7)	303000 (88800)	293000 (85870)	282600 (82820)	271600 (79600)	260200 (76260)	248600 (72860)	237000 (69500)	225400 (66240)	213800 (63020)	
KMD300H8-Z	45 (7.2)	424200 (124320)	411000 (120450)	397000 (116350)	382400 (112070)	367200 (107620)	351600 (103040)	336000 (98470)	320400 (94320)	304800 (90180)	
Comp. Model	40 (4.4)	390000 (114300)	377400 (110600)	364200 (106740)	350200 (102630)	336000 (98470)	321200 (94130)	306400 (90040)	291600 (85760)	276800 (81380)	
ZB114K5E †	35 (1.7)	356800 (104570)	344800 (101050)	332200 (97360)	319200 (93550)	305800 (89620)	292000 (85580)	278200 (81660)	264400 (77700)	250600 (73740)	

NOTES: - Above ratings are based on mean temperature. - To convert to dew point ratings, use 0.95 multiplier.

† Available with Digital compressor (consult factory)

CAPACITY DATA - R407A

MEDIUM TEMPERATURE

MODEL KMD	SATURATED SUCTION TEMPERATURE		CAPACITY BTU/H (WATTS) R407A AMBIENT TEMPERATURE °F (°C)							
	°F	°C	85 (29.4)	90 (32.2)	95 (35.0)	100 (37.8)	105 (40.6)	110 (43.3)		
KMD100M8-Z Compressor Model ZB38KCE †	30 (-1.1)	111400 (32650)	107800 (31590)	104200 (30540)	100200 (29370)	96200 (28190)	92000 (26960)			
	25 (-3.9)	101000 (29600)	97600 (28600)	94200 (27610)	90600 (26550)	87000 (25500)	83200 (24380)			
	20 (-6.7)	91000 (26670)	88000 (25790)	84800 (24850)	81600 (23910)	78200 (22920)	74800 (21920)			
	15 (-9.4)	81800 (23970)	79000 (23150)	76200 (22330)	73200 (21450)	70200 (20570)	67000 (19640)			
	10 (-12.2)	73200 (21450)	70600 (20690)	68000 (19930)	65200 (19110)	62400 (18290)	59800 (17530)			
	5 (-15)	65200 (19110)	62800 (18400)	60400 (17700)	57800 (16940)	55400 (16240)	53000 (15530)			
0 (-17.8)	57800 (16940)	55600 (16290)	53400 (15650)	51200 (15010)	49000 (14360)	46800 (13720)				
KMD120M8-Z Compressor Model ZB45KCE †	30 (-1.1)	126800 (37160)	122600 (35930)	118200 (34640)	113600 (33290)	109000 (31940)	104200 (30540)			
	25 (-3.9)	114800 (33640)	111000 (32530)	107000 (31360)	102800 (30130)	98600 (28900)	94200 (27610)			
	20 (-6.7)	103600 (30360)	100000 (29310)	96400 (28250)	92600 (27140)	88600 (25970)	84600 (24790)			
	15 (-9.4)	93000 (27260)	89800 (26320)	86400 (25320)	82800 (24270)	79400 (23270)	75800 (22210)			
	10 (-12.2)	83200 (24380)	80200 (23500)	77000 (22570)	74000 (21690)	70800 (20750)	67600 (19810)			
	5 (-15)	74000 (21690)	71200 (20870)	68400 (20050)	65600 (19230)	62800 (18400)	59800 (17530)			
0 (-17.8)	65600 (19230)	63000 (18460)	60600 (17760)	58000 (17000)	55400 (16240)	52800 (15470)				
KMD121M8-Z Compressor Model ZB48KCE	30 (-1.1)	141400 (41440)	136600 (40030)	131600 (38570)	126400 (37040)	121200 (35520)	115600 (33880)			
	25 (-3.9)	128200 (37570)	123800 (36280)	119200 (34930)	114400 (33530)	109600 (32120)	104600 (30660)			
	20 (-6.7)	115800 (33940)	111600 (32710)	107400 (31480)	103200 (30240)	98800 (28960)	94200 (27610)			
	15 (-9.4)	104000 (30480)	100200 (29370)	96400 (28250)	92400 (27080)	88400 (25910)	84400 (24740)			
	10 (-12.2)	93000 (27260)	89600 (26260)	86000 (25200)	82600 (24210)	79000 (23150)	75200 (22040)			
	5 (-15)	82800 (24270)	79600 (23330)	76400 (22390)	73200 (21450)	70000 (20510)	66800 (19580)			
0 (-17.8)	73400 (21510)	70600 (20690)	67600 (19810)	64800 (18990)	61800 (18110)	59000 (17290)				
KMD140M8-Z Compressor Model ZB57KCE †	30 (-1.1)	162800 (47710)	158000 (46310)	153000 (44840)	148000 (43370)	142800 (41850)	137600 (40330)			
	25 (-3.9)	148000 (43370)	143600 (42080)	139000 (40740)	134600 (39450)	129800 (38040)	125000 (36630)			
	20 (-6.7)	134000 (39270)	130000 (38100)	126000 (36930)	122000 (35750)	117600 (34470)	113400 (33230)			
	15 (-9.4)	121000 (35460)	117400 (34410)	113800 (33350)	110200 (32300)	106200 (31120)	102200 (29950)			
	10 (-12.2)	109000 (31940)	105800 (31010)	102400 (30010)	99000 (29010)	95600 (28020)	92000 (26960)			
	5 (-15)	97600 (28600)	94800 (27780)	91800 (26900)	88600 (25970)	85400 (25030)	82200 (24090)			
0 (-17.8)	87200 (25560)	84600 (24790)	81800 (23970)	79000 (23150)	76000 (22270)	73000 (21390)				
KMD151M8-Z Compressor Model ZB66K5E	30 (-1.1)	190200 (55740)	183800 (53870)	177000 (51870)	170200 (49880)	163000 (47770)	155800 (45660)			
	25 (-3.9)	172400 (50530)	166400 (48770)	160200 (46950)	153800 (45070)	147200 (43140)	140600 (41210)			
	20 (-6.7)	155400 (45540)	149800 (43900)	144000 (42200)	138200 (40500)	132400 (38800)	126400 (37040)			
	15 (-9.4)	139200 (40800)	134000 (39270)	128800 (37750)	123600 (36220)	118400 (34700)	113000 (33120)			
	10 (-12.2)	124000 (36340)	119400 (34990)	114600 (33590)	110000 (32240)	105200 (30830)	100800 (29540)			
	5 (-15)	109800 (32180)	105600 (30950)	101400 (29720)	97400 (28550)	93400 (27370)	89600 (26260)			
0 (-17.8)	96600 (28310)	93000 (27260)	89400 (26200)	85800 (25150)	82600 (24210)	79600 (23330)				
KMD170M8-Z Compressor Model ZB76K5E †	30 (-1.1)	216600 (63480)	209800 (61490)	202600 (59380)	195400 (57270)	188200 (55160)	181000 (53050)			
	25 (-3.9)	196600 (57620)	190600 (55860)	184400 (54040)	178200 (52230)	171800 (50350)	165400 (48470)			
	20 (-6.7)	178200 (52230)	173000 (50700)	167600 (49120)	162200 (47540)	156600 (45890)	150800 (44190)			
	15 (-9.4)	161200 (47240)	156600 (45890)	151800 (44490)	147000 (43080)	141800 (41560)	136800 (40090)			
	10 (-12.2)	145400 (42610)	141200 (41380)	136800 (40090)	132400 (38800)	127600 (37400)	122800 (35990)			
	5 (-15)	130600 (38270)	126600 (37100)	122400 (35870)	118000 (34580)	113600 (33290)	109000 (31940)			
0 (-17.8)	116200 (34050)	112200 (32880)	108000 (31650)	103800 (30420)	99200 (29070)	94600 (27720)				
KMD220M8-Z Compressor Model ZB95K5E	30 (-1.1)	276000 (80890)	266600 (78130)	256800 (75260)	246600 (72270)	236000 (69160)	225000 (65940)			
	25 (-3.9)	250000 (73270)	241200 (70690)	232000 (67990)	222600 (65240)	212800 (62370)	202600 (59380)			
	20 (-6.7)	225200 (66000)	217000 (63600)	208600 (61130)	199800 (58560)	190800 (55920)	181600 (53220)			
	15 (-9.4)	201600 (59080)	194000 (56860)	186200 (54570)	178200 (52230)	170000 (49820)	161600 (47360)			
	10 (-12.2)	179400 (52580)	172400 (50530)	165200 (48420)	158000 (46310)	150600 (44140)	143200 (41970)			
	5 (-15)	158400 (46420)	152200 (44610)	145600 (42670)	139200 (40800)	132600 (38860)	126200 (36990)			
0 (-17.8)	139000 (40740)	133400 (39100)	127600 (37400)	121800 (35700)	116200 (34050)	110800 (32470)				
KMD300M8-Z Compressor Model ZB114K5E †	30 (-1.1)	324800 (95190)	313400 (91850)	301600 (88390)	289400 (84810)	276800 (81120)	264000 (77370)			
	25 (-3.9)	294000 (86160)	283400 (83060)	272400 (79830)	261000 (76490)	249400 (73090)	237400 (69570)			
	20 (-6.7)	264600 (77550)	254800 (74670)	244400 (71630)	234000 (68580)	223200 (65410)	212400 (62250)			
	15 (-9.4)	236800 (69400)	227600 (66700)	218200 (63950)	208600 (61130)	198800 (58260)	189000 (55390)			
	10 (-12.2)	210400 (61660)	202000 (59200)	193400 (56680)	184800 (54160)	176000 (51580)	167400 (49060)			
	5 (-15)	185800 (54450)	178200 (52230)	170600 (50000)	162800 (47710)	155200 (45480)	147800 (43320)			
0 (-17.8)	163200 (47830)	156400 (45840)	149600 (43840)	142800 (41850)	136400 (39970)	130200 (38160)				

Shaded Area Restriction: 20°F Max Superheat

† Available with Digital compressor (consult factory)

CAPACITY DATA - R407A LOW TEMPERATURE

MODEL KMD	SATURATED SUCTION TEMPERATURE		CAPACITY BTU/H (WATTS) R407A AMBIENT TEMPERATURE °F (°C)							
	° F	° C	85 (29.4)	90 (32.2)	95 (35.0)	100 (37.8)	105 (40.6)	110 (43.3)		
KMD120L8-Z Compressor Model ZF18K4E	0	(-17.8)	68800 (20160)	66800 (19580)	65000 (19050)	63000 (18460)	61000 (17880)	59000 (17290)		
	-5	(-20.6)	61600 (18050)	59800 (17530)	58000 (17000)	56400 (16530)	54600 (16000)	52800 (15470)		
	-10	(-23.3)	54800 (16060)	53200 (15590)	51600 (15120)	50000 (14650)	48400 (14180)	46800 (13720)		
	-15	(-26.1)	48600 (14240)	47000 (13770)	45600 (13360)	44200 (12950)	42800 (12540)	41200 (12070)		
	-20	(-28.9)	42800 (12540)	41600 (12190)	40200 (11780)	39000 (11430)	37600 (11020)	36200 (10610)		
	-25	(-31.7)	37600 (11020)	36400 (10670)	35400 (10370)	34200 (10020)	33000 (9670)	31800 (9320)		
	-30	(-34.4)	33000 (9670)	32200 (9440)	31200 (9140)	30200 (8850)	29200 (8560)	28000 (8210)		
	-35	(-37.2)	29200 (8560)	28400 (8320)	27600 (8090)	26800 (7850)	25800 (7560)	24800 (7270)		
	-40	(-40.0)	26200 (7680)	25600 (7500)	24800 (7270)	24200 (7090)	23400 (6860)	22400 (6560)		
KMD150L8-Z Compressor Model ZF25K4E	0	(-17.8)	85000 (24910)	82600 (24210)	80200 (23500)	77800 (22800)	75400 (22100)	72800 (21340)		
	-5	(-20.6)	76000 (22270)	74000 (21690)	71800 (21040)	69600 (20400)	67200 (19690)	65000 (19050)		
	-10	(-23.3)	67800 (19870)	65800 (19280)	63800 (18700)	61800 (18110)	59800 (17530)	57600 (16880)		
	-15	(-26.1)	60000 (17580)	58200 (17060)	56400 (16530)	54600 (16000)	52800 (15470)	50800 (14890)		
	-20	(-28.9)	53000 (15530)	51400 (15060)	49800 (14590)	48200 (14130)	46400 (13600)	44600 (13070)		
	-25	(-31.7)	46600 (13660)	45200 (13250)	43800 (12840)	42400 (12430)	40800 (11960)	39200 (11490)		
	-30	(-34.4)	41000 (12020)	39800 (11660)	38600 (11310)	37400 (10960)	36000 (10550)	34600 (10140)		
	-35	(-37.2)	36400 (10670)	35400 (10370)	34400 (10080)	33200 (9730)	32000 (9380)	30800 (9030)		
	-40	(-40.0)	32600 (9550)	31800 (9320)	31000 (9090)	30000 (8790)	29000 (8500)	27800 (8150)		
KMD170L8-Z Compressor Model ZF28K4E	0	(-17.8)	98800 (28960)	96000 (28130)	93200 (27310)	90400 (26490)	87400 (25610)	84400 (24740)		
	-5	(-20.6)	88600 (25970)	86000 (25200)	83400 (24440)	80800 (23680)	78200 (22920)	75400 (22100)		
	-10	(-23.3)	79000 (23150)	76600 (22450)	74200 (21750)	71800 (21040)	69400 (20340)	66800 (19580)		
	-15	(-26.1)	70000 (20510)	67800 (19870)	65800 (19280)	63600 (18640)	61400 (17990)	59000 (17290)		
	-20	(-28.9)	61600 (18050)	59800 (17530)	58000 (17000)	56000 (16410)	54000 (15830)	51800 (15180)		
	-25	(-31.7)	54200 (15880)	52600 (15420)	51000 (14950)	49200 (14420)	47400 (13890)	45400 (13310)		
	-30	(-34.4)	47800 (14010)	46400 (13600)	45000 (13190)	43400 (12720)	41800 (12250)	40000 (11720)		
	-35	(-37.2)	42400 (12430)	41200 (12070)	40000 (11720)	38600 (11310)	37200 (10900)	35600 (10430)		
	-40	(-40.0)	38200 (11200)	37200 (10900)	36000 (10550)	35000 (10260)	33600 (9850)	32400 (9500)		
KMD200L8-Z Compressor Model ZF34K5E	0	(-17.8)	116800 (34230)	113400 (33230)	109800 (32180)	106200 (31120)	102600 (30070)	98600 (28900)		
	-5	(-20.6)	104600 (30660)	101400 (29720)	98200 (28780)	95000 (27840)	91600 (26850)	87800 (25730)		
	-10	(-23.3)	93000 (27260)	90200 (26430)	87400 (25610)	84200 (24680)	81000 (23740)	77800 (22800)		
	-15	(-26.1)	82400 (24150)	79800 (23390)	77200 (22630)	74400 (21800)	71400 (20930)	68400 (20050)		
	-20	(-28.9)	72400 (21220)	70200 (20570)	67800 (19870)	65200 (19110)	62600 (18350)	59800 (17530)		
	-25	(-31.7)	63600 (18640)	61600 (18050)	59400 (17410)	57200 (16760)	54600 (16000)	52000 (15240)		
	-30	(-34.4)	55800 (16350)	54000 (15830)	52000 (15240)	50000 (14650)	47800 (14010)	45400 (13310)		
	-35	(-37.2)	49200 (14420)	47600 (13950)	46000 (13480)	44000 (12900)	42200 (12370)	40000 (11720)		
	-40	(-40.0)	44000 (12900)	42600 (12480)	41000 (12020)	39400 (11550)	37600 (11020)	35600 (10430)		
KMD260L8-Z Compressor Model ZF41K5E	0	(-17.8)	143000 (41910)	139000 (40740)	135000 (39560)	131000 (38390)	126800 (37160)	122400 (35870)		
	-5	(-20.6)	128200 (37570)	124600 (36520)	121000 (35460)	117200 (34350)	113400 (33230)	109200 (32000)		
	-10	(-23.3)	114400 (33530)	111000 (32530)	107800 (31590)	104200 (30540)	100800 (29540)	97000 (28430)		
	-15	(-26.1)	101400 (29270)	98400 (28840)	95400 (27960)	92200 (27020)	89000 (26080)	85400 (25030)		
	-20	(-28.9)	89600 (26260)	86800 (25440)	84200 (24680)	81400 (23860)	78200 (22920)	75000 (21980)		
	-25	(-31.7)	78800 (23090)	76400 (22390)	74000 (21690)	71400 (20930)	68600 (20100)	65600 (19230)		
	-30	(-34.4)	69400 (20340)	67400 (19750)	65200 (19110)	62800 (18400)	60400 (17700)	57600 (16880)		
	-35	(-37.2)	61600 (18050)	59800 (17530)	57800 (16940)	55600 (16290)	53400 (15650)	50800 (14890)		
	-40	(-40.0)	55200 (16180)	53600 (15710)	52000 (15240)	50000 (14650)	47800 (14010)	45400 (13310)		
KMD300L8-Z Compressor Model ZF49K5E	0	(-17.8)	171600 (50290)	166800 (48880)	161800 (47420)	156800 (45950)	151600 (44430)	146000 (42790)		
	-5	(-20.6)	153600 (45020)	149000 (43670)	144600 (42380)	139800 (40970)	135000 (39560)	129800 (38040)		
	-10	(-23.3)	136600 (40030)	132400 (38800)	128400 (37630)	124000 (36340)	119400 (34990)	114600 (33590)		
	-15	(-26.1)	120800 (35400)	117000 (34290)	113200 (33180)	109200 (32000)	105000 (30770)	100600 (29480)		
	-20	(-28.9)	106400 (31180)	103000 (30190)	99600 (29190)	96000 (28130)	92000 (26960)	87800 (25730)		
	-25	(-31.7)	93400 (27370)	90400 (26490)	87400 (25610)	84000 (24620)	80400 (23560)	76600 (22450)		
	-30	(-34.4)	82200 (24090)	79600 (23330)	76800 (22510)	73800 (21630)	70600 (20690)	67000 (19640)		
	-35	(-37.2)	73000 (21390)	70600 (20690)	68200 (19990)	65400 (19170)	62600 (18350)	59200 (17350)		
	-40	(-40.0)	65800 (19280)	63800 (18700)	61600 (18050)	59200 (17350)	56400 (16530)	53400 (15650)		
KMD340L8-Z Compressor Model ZF54K5E	0	(-17.8)	187600 (54980)	182000 (53340)	176400 (51700)	170600 (50000)	164800 (48300)	158800 (46540)		
	-5	(-20.6)	167400 (49060)	162600 (47650)	157600 (46190)	152600 (44720)	147600 (43260)	142400 (41730)		
	-10	(-23.3)	149000 (43670)	144800 (42440)	140400 (41150)	136000 (39860)	131600 (38570)	127000 (37220)		
	-15	(-26.1)	132000 (38690)	128400 (37630)	124600 (36520)	120800 (35400)	117000 (34290)	113000 (33120)		
	-20	(-28.9)	116600 (34170)	113400 (33230)	110200 (32300)	106800 (31300)	103400 (30300)	100000 (29310)		
	-25	(-31.7)	102800 (30130)	100000 (29310)	97000 (28430)	94200 (27610)	91200 (26730)	88200 (25850)		
	-30	(-34.4)	90200 (26430)	87600 (25670)	85200 (24970)	82600 (24210)	79800 (23390)	77200 (22630)		
	-35	(-37.2)	79000 (23150)	76600 (22450)	74400 (21800)	72000 (21100)	69600 (20400)	67200 (19690)		
	-40	(-40.0)	69000 (20220)	66800 (19580)	64600 (18930)	62400 (18290)	60200 (17640)	57800 (16940)		

CAPACITY DATA - R448A R449A
HIGH TEMPERATURE

MODEL KMD	SATURATED SUCTION TEMPERATURE F° (C°)	CAPACITY BTU/H (WATTS) R448A R449A AMBIENT TEMPERATURE °F (°C)											
		85 (29.4)	90 (32.2)	95 (35.0)	100 (37.8)	105 (40.6)	110 (43.3)						
KMD100H8-Z Comp. Model ZB38KCE †	45 (7.2)	145000 (42500)	140200 (41090)	135200 (39620)	130200 (38160)	125200 (36690)	120400 (35290)	132200 (38740)	127800 (37450)	123200 (36110)	118800 (34820)	114200 (33470)	109600 (32120)
	40 (4.4)	132200 (38740)	127800 (37450)	123200 (36110)	118800 (34820)	114200 (33470)	109600 (32120)	105000 (30770)	100400 (29420)	95800 (28070)	91200 (26720)	86600 (25370)	82000 (24020)
	35 (1.7)	120400 (35290)	116400 (34110)	112200 (32880)	108000 (31650)	103800 (30420)	99800 (29250)	95800 (28070)	91800 (26890)	87800 (25710)	83800 (24530)	79800 (23350)	75800 (22170)
KMD120H8-Z Comp. Model ZB45KCE †	45 (7.2)	170000 (49820)	164200 (48120)	158200 (46360)	152400 (44660)	146400 (42910)	140400 (41150)	152000 (45680)	147800 (44080)	143000 (42380)	139000 (40740)	133600 (39150)	128200 (37570)
	40 (4.4)	155200 (45480)	149800 (43900)	144600 (42380)	139000 (40740)	133600 (39150)	128200 (37570)	122800 (35980)	117400 (34390)	112000 (32800)	106600 (31210)	101200 (29620)	95800 (28030)
	35 (1.7)	141400 (41440)	136600 (40030)	131600 (38570)	126800 (37160)	121800 (35700)	116800 (34230)	111800 (32760)	106800 (31290)	101800 (29820)	96800 (28350)	91800 (26880)	86800 (25410)
KMD121H8-Z Comp. Model ZB48KCE	45 (7.2)	190000 (55680)	183400 (53750)	176800 (51810)	170000 (49820)	163200 (47830)	156600 (45890)	170000 (49820)	167400 (49060)	164800 (48230)	162200 (47400)	159600 (46570)	157000 (45740)
	40 (4.4)	173600 (50880)	167400 (49060)	161400 (47300)	155200 (45480)	149000 (43670)	143000 (41910)	137000 (40150)	131000 (38390)	125000 (36630)	119000 (34870)	113000 (33110)	107000 (31350)
	35 (1.7)	158200 (46360)	152600 (44720)	147000 (43080)	141400 (41440)	135800 (39800)	130200 (38160)	124600 (36520)	119000 (34880)	113400 (33240)	107800 (31600)	102200 (30060)	96600 (28420)
KMD140H8-Z Comp. Model ZB57KCE †	45 (7.2)	223200 (65410)	215600 (63190)	208000 (60960)	200200 (58670)	192200 (56330)	183800 (53870)	203600 (60670)	199200 (58120)	194600 (56470)	189000 (54820)	183400 (53170)	177800 (51520)
	40 (4.4)	203600 (59670)	196800 (57680)	190000 (55680)	183000 (53630)	175600 (51460)	168200 (49290)	188400 (55210)	184800 (53560)	181200 (51910)	177600 (50260)	174000 (48610)	170400 (46960)
	35 (1.7)	185200 (54280)	179200 (52520)	173200 (50760)	166800 (48880)	160400 (47010)	153800 (45070)	147400 (43200)	141000 (41340)	134600 (39470)	128200 (37600)	121800 (35730)	115400 (33860)
KMD151H8-Z Comp. Model ZB66K5E	45 (7.2)	253400 (74260)	244800 (71740)	236000 (69160)	227000 (66530)	217800 (63830)	208600 (61130)	231600 (68060)	226000 (66410)	220400 (64760)	214800 (63110)	209200 (61460)	203600 (59810)
	40 (4.4)	231600 (67880)	223400 (65470)	215400 (63130)	207000 (60670)	198600 (58200)	190000 (55680)	218800 (64780)	214200 (63130)	209600 (61480)	205000 (59830)	200400 (58180)	195800 (56530)
	35 (1.7)	210800 (61780)	203600 (59670)	196000 (57440)	188400 (55210)	180600 (52930)	172600 (50580)	164600 (48230)	156600 (45980)	148600 (43730)	140600 (41480)	132600 (39230)	124600 (36980)
KMD170H8-Z Comp. Model ZB76K5E †	45 (7.2)	283600 (83110)	274600 (80480)	265400 (77780)	255800 (74970)	246200 (72150)	236200 (69220)	259800 (76020)	255200 (74370)	250600 (72720)	246000 (71070)	241400 (69420)	236800 (67770)
	40 (4.4)	259800 (76140)	251400 (73680)	243000 (71220)	234200 (68640)	225000 (65940)	215600 (63190)	248800 (72780)	244200 (71130)	239600 (69480)	235000 (67830)	230400 (66180)	225800 (64530)
	35 (1.7)	237400 (69570)	229800 (67350)	221800 (65000)	213800 (62660)	205200 (60140)	196400 (57560)	231600 (68060)	227000 (66410)	222400 (64760)	217800 (63110)	213200 (61460)	208600 (59810)
KMD220H8-Z Comp. Model ZB95K5E	45 (7.2)	367800 (107790)	355600 (104220)	343000 (100520)	329800 (96650)	316000 (92610)	301800 (88450)	334600 (98350)	330000 (96700)	325400 (94850)	320800 (92900)	316200 (90950)	311600 (89000)
	40 (4.4)	334600 (98060)	323400 (94780)	311800 (91380)	299600 (87800)	286800 (84050)	273400 (80130)	329800 (96650)	325200 (94900)	320600 (93150)	316000 (91400)	311400 (89650)	306800 (87900)
	35 (1.7)	303600 (88980)	293400 (85990)	282600 (82820)	271200 (79480)	259400 (76020)	246800 (72330)	316000 (92610)	311400 (90960)	306800 (89310)	302200 (87660)	297600 (86010)	293000 (84360)
KMD300H8-Z Comp. Model ZB114K5E †	45 (7.2)	427400 (125260)	413600 (121210)	399200 (116990)	384600 (112710)	369200 (108200)	353400 (103570)	396000 (115800)	391400 (114150)	386800 (112500)	382200 (110850)	377600 (109100)	373000 (107350)
	40 (4.4)	389800 (114240)	377000 (110490)	363800 (106620)	350000 (102570)	335600 (98350)	320800 (94020)	386000 (112710)	381400 (111060)	376800 (109410)	372200 (107760)	367600 (106110)	363000 (104460)
	35 (1.7)	354600 (103920)	342600 (100410)	330200 (96770)	317400 (93020)	304000 (89090)	289800 (84930)	376000 (109900)	371400 (108250)	366800 (106600)	362200 (104950)	357600 (103300)	353000 (101650)

NOTES: - Above ratings are based on mean temperature. - To convert to dew point ratings, use 0.95 multiplier.

† Available with Digital compressor (consult factory)

MODEL KMD	SATURATED SUCTION TEMPERATURE		CAPACITY BTU/H (WATTS) R448A R449A AMBIENT TEMPERATURE °F (°C)							
	° F	° C	85 (29.4)	90 (32.2)	95 (35.0)	100 (37.8)	105 (40.6)	110 (43.3)		
KMD100M8-Z Compressor Model ZB38KCE †	30 (-1.1)		109400 (32060)	105600 (30950)	101800 (29830)	98000 (28720)	94200 (27610)	90400 (26490)		
	25 (-3.9)		99200 (29070)	95800 (28080)	92200 (27020)	88800 (26020)	85400 (25030)	81800 (23970)		
	20 (-6.7)		89600 (26260)	86600 (25380)	83400 (24440)	80200 (23500)	77000 (22570)	73800 (21630)		
	15 (-9.4)		80800 (23680)	78000 (22860)	75000 (21980)	72200 (21160)	69200 (20280)	66200 (19400)		
	10 (-12.2)		72600 (21280)	70000 (20510)	67200 (19690)	64600 (18930)	61800 (18110)	59000 (17290)		
	5 (-15)		64800 (18990)	62400 (18290)	59800 (17530)	57400 (16820)	54800 (16060)	52200 (15300)		
0 (-17.8)		57600 (16880)	55200 (16180)	52800 (15470)	50400 (14770)	48000 (14070)	45600 (13360)			
KMD1200M8-Z Compressor Model ZB45KCE †	30 (-1.1)		128600 (37690)	124200 (36400)	119600 (35050)	115200 (33760)	110600 (32470)	106000 (31070)		
	25 (-3.9)		116600 (34170)	112600 (33000)	108400 (31770)	104400 (30600)	100200 (29370)	96000 (28130)		
	20 (-6.7)		105600 (30950)	101800 (29830)	98000 (28720)	94200 (27610)	90400 (26490)	86600 (25380)		
	15 (-9.4)		95000 (27840)	91600 (26850)	88200 (25850)	84800 (24850)	81200 (23800)	77800 (22800)		
	10 (-12.2)		85400 (25030)	82200 (24090)	79000 (23150)	75800 (22210)	72600 (21280)	69400 (20340)		
	5 (-15)		76200 (22330)	73200 (21450)	70200 (20570)	67200 (19690)	64200 (18820)	61200 (17940)		
0 (-17.8)		67600 (19810)	64800 (18990)	62000 (18170)	59200 (17350)	56400 (16530)	53600 (15710)			
KMD121M8-Z Compressor Model ZB48KCE	30 (-1.1)		143800 (42140)	138800 (40680)	133800 (39210)	128600 (37690)	123400 (36160)	118400 (34700)		
	25 (-3.9)		130600 (38270)	126000 (36930)	121200 (35520)	116600 (34170)	111800 (32770)	107200 (31420)		
	20 (-6.7)		118200 (34640)	114000 (33410)	109600 (32120)	105400 (30890)	101000 (29600)	96800 (28370)		
	15 (-9.4)		106600 (31240)	102600 (30070)	98800 (28960)	94800 (27780)	90800 (26610)	87000 (25500)		
	10 (-12.2)		95600 (28020)	92200 (27020)	88400 (25910)	84800 (24850)	81200 (23800)	77600 (22740)		
	5 (-15)		85400 (25030)	82200 (24090)	78800 (23090)	75400 (22100)	72000 (21100)	68600 (20100)		
0 (-17.8)		75800 (22210)	72600 (21280)	69600 (20400)	66400 (19460)	63200 (18520)	60000 (17580)			
KMD140M8-Z Compressor Model ZB57KCE †	30 (-1.1)		168200 (49290)	163000 (47770)	157400 (46130)	151800 (44490)	146000 (42790)	140000 (41030)		
	25 (-3.9)		152600 (44720)	147800 (43320)	142800 (41850)	137800 (40390)	132600 (38860)	127400 (37340)		
	20 (-6.7)		137800 (40390)	133600 (39150)	129200 (37860)	124600 (36520)	120000 (35170)	115400 (33820)		
	15 (-9.4)		124200 (36400)	120400 (35290)	116400 (34110)	112400 (32940)	108200 (31710)	104000 (30480)		
	10 (-12.2)		111400 (32650)	108000 (31650)	104400 (30600)	100800 (29540)	97000 (28430)	93200 (27310)		
	5 (-15)		99600 (29190)	96400 (28250)	93000 (27260)	89800 (26320)	86400 (25320)	83000 (24320)		
0 (-17.8)		88400 (25910)	85400 (25030)	82400 (24150)	79200 (23210)	76200 (22330)	73000 (21390)			
KMD151M8-Z Compressor Model ZB66K5E	30 (-1.1)		191600 (56150)	184800 (54160)	177800 (52110)	170600 (50000)	163400 (47890)	156000 (45720)		
	25 (-3.9)		173400 (50820)	167200 (49000)	160800 (47130)	154200 (45190)	147400 (43200)	140400 (41150)		
	20 (-6.7)		156400 (45840)	150600 (44140)	144600 (42380)	138400 (40560)	132200 (38740)	125600 (36810)		
	15 (-9.4)		140600 (41210)	135200 (39620)	129600 (37980)	123800 (36280)	117800 (34520)	111600 (32710)		
	10 (-12.2)		125600 (36810)	120600 (35340)	115400 (33820)	109800 (32180)	104200 (30540)	98200 (28780)		
	5 (-15)		111600 (32710)	106800 (31300)	102000 (29890)	96800 (28370)	91200 (26730)	85600 (25090)		
0 (-17.8)		98600 (28900)	94000 (27550)	89200 (26140)	84200 (24680)	79000 (23150)	73400 (21510)			
KMD170M8-Z Compressor Model ZB76K5E †	30 (-1.1)		216400 (63420)	209400 (61370)	202200 (59260)	194600 (57030)	186600 (54690)	178000 (52170)		
	25 (-3.9)		196800 (57680)	190400 (55800)	183400 (53750)	176400 (51700)	168800 (49470)	160600 (47070)		
	20 (-6.7)		178400 (52280)	172400 (50530)	165800 (48590)	159000 (46600)	151800 (44490)	144000 (42200)		
	15 (-9.4)		161000 (47180)	155200 (45480)	149200 (43730)	142600 (41790)	135400 (39680)	127800 (37450)		
	10 (-12.2)		144600 (42380)	139000 (40740)	133000 (38980)	126600 (37100)	119800 (35110)	112200 (32880)		
	5 (-15)		128800 (37750)	123600 (36220)	117600 (34470)	111400 (32650)	104400 (30600)	97000 (28430)		
0 (-17.8)		113800 (33350)	108600 (31830)	102800 (30130)	96400 (28250)	89400 (26200)	82000 (24030)			
KMD220M8-Z Compressor Model ZB95K5E	30 (-1.1)		274600 (80480)	265200 (77720)	255200 (74790)	244600 (71680)	233600 (68460)	222000 (65060)		
	25 (-3.9)		247600 (72560)	238800 (69990)	229600 (67290)	219800 (64420)	209600 (61430)	198800 (58260)		
	20 (-6.7)		222200 (65120)	214000 (62720)	205600 (60260)	196400 (57560)	187000 (54800)	177000 (51870)		
	15 (-9.4)		198400 (58150)	191000 (55980)	183000 (53630)	174600 (51170)	165800 (48590)	156400 (45840)		
	10 (-12.2)		176400 (51700)	169400 (49650)	162000 (47480)	154200 (45190)	146000 (42790)	137200 (40210)		
	5 (-15)		155600 (45600)	149000 (43670)	142200 (41670)	135000 (39560)	127200 (37280)	119000 (34880)		
0 (-17.8)		136000 (39860)	130000 (38100)	123600 (36220)	116800 (34230)	109600 (32120)	101800 (29830)			
KMD300M8-Z Compressor Model ZB114K5E †	30 (-1.1)		321400 (94190)	310200 (90910)	298600 (87510)	286600 (83990)	273800 (80240)	260400 (76320)		
	25 (-3.9)		290000 (84990)	279800 (82000)	268800 (78780)	257400 (75440)	245400 (71920)	232600 (68170)		
	20 (-6.7)		260600 (76370)	251000 (73560)	240600 (70510)	229800 (67350)	218200 (63950)	206000 (60370)		
	15 (-9.4)		233000 (68290)	223600 (65530)	213800 (62660)	203400 (59610)	192400 (56390)	180400 (52870)		
	10 (-12.2)		206800 (60610)	197800 (57970)	188400 (55210)	178400 (52280)	167600 (49120)	156000 (45720)		
	5 (-15)		182000 (53340)	173400 (50820)	164200 (48120)	154400 (45250)	143800 (42140)	132400 (38800)		
0 (-17.8)		158400 (46420)	150000 (43960)	141000 (41320)	131400 (38510)	120800 (35400)	109600 (32120)			

Shaded Area Restriction: 20°F Max Superheat

† Available with Digital compressor (consult factory)

CAPACITY DATA - R448A R449A
LOW TEMPERATURE

MODEL KMD	SATURATED SUCTION TEMPERATURE °F °C	CAPACITY BTU/H (WATTS) R448A R449A AMBIENT TEMPERATURE °F (°C)									
		85 (29.4)	90 (32.2)	95 (35.0)	100 (37.8)	105 (40.6)	110 (43.3)				
KMD120L8-Z Compressor Model ZF18K4E	0 (-17.8)	72600 (21280)	70200 (20570)	67800 (19870)	65200 (19110)	62600 (18350)	60000 (17580)				
	-5 (-20.6)	65200 (19110)	63000 (18460)	60800 (17820)	58600 (17170)	56400 (16530)	54000 (15830)				
	-10 (-23.3)	58200 (17060)	56400 (16530)	54400 (15940)	52600 (15420)	50600 (14830)	48600 (14240)				
	-15 (-26.1)	51800 (15180)	50200 (14710)	48600 (14240)	47000 (13770)	45200 (13250)	43600 (12780)				
	-20 (-28.9)	45800 (13420)	44400 (13010)	43200 (12660)	41800 (12250)	40400 (11840)	39000 (11430)				
	-25 (-31.7)	40400 (11840)	39200 (11490)	38200 (11200)	37000 (10840)	36000 (10550)	34800 (10200)				
	-30 (-34.4)	35400 (10370)	34600 (10140)	33600 (9850)	32800 (9610)	32000 (9380)	31200 (9140)				
	-35 (-37.2)	30800 (9030)	30200 (8850)	29600 (8670)	29000 (8500)	28400 (8320)	27800 (8150)				
-40 (-40.0)	26800 (7850)	26400 (7740)	25800 (7560)	25600 (7500)	25200 (7390)	25000 (7330)					
KMD150L8-Z Compressor Model ZF25K4E	0 (-17.8)	89800 (26320)	87000 (25500)	84000 (24620)	81000 (23740)	78000 (22860)	75000 (21980)				
	-5 (-20.6)	80400 (23560)	77800 (22800)	75200 (22040)	72400 (21220)	69800 (20460)	67200 (19690)				
	-10 (-23.3)	71600 (20980)	69200 (20280)	67000 (19640)	64600 (18930)	62400 (18290)	60000 (17580)				
	-15 (-26.1)	63400 (18580)	61400 (17990)	59400 (17410)	57400 (16820)	55400 (16240)	53600 (15710)				
	-20 (-28.9)	56000 (16410)	54200 (15880)	52600 (15420)	50800 (14890)	49200 (14420)	47800 (14010)				
	-25 (-31.7)	49200 (14420)	47800 (14010)	46400 (13600)	45000 (13190)	43800 (12840)	42800 (12540)				
	-30 (-34.4)	43000 (12600)	42000 (12310)	40800 (11960)	40000 (11720)	39000 (11430)	38400 (11250)				
	-35 (-37.2)	37600 (11020)	36800 (10780)	36000 (10550)	35400 (10370)	35000 (10260)	34800 (10200)				
-40 (-40.0)	33000 (9670)	32400 (9500)	32000 (9380)	31800 (9320)	31800 (9320)	31800 (9320)					
KMD170L8-Z Compressor Model ZF28K4E	0 (-17.8)	104200 (30540)	100800 (29540)	97400 (28550)	93800 (27490)	90200 (26430)	86600 (25380)				
	-5 (-20.6)	93200 (27310)	90200 (26430)	87200 (25560)	84000 (24620)	80800 (23680)	77800 (22800)				
	-10 (-23.3)	83000 (24320)	80400 (23560)	77600 (22740)	75000 (21980)	72200 (21160)	69600 (20400)				
	-15 (-26.1)	73600 (21570)	71400 (20930)	69000 (20220)	66600 (19520)	64400 (18870)	62200 (18230)				
	-20 (-28.9)	65000 (19050)	63000 (18460)	61000 (17880)	59200 (17350)	57200 (16760)	55600 (16290)				
	-25 (-31.7)	57200 (16760)	55600 (16290)	54000 (15830)	52400 (15360)	51000 (14950)	49800 (14590)				
	-30 (-34.4)	50200 (14710)	48800 (14300)	47600 (13950)	46600 (13660)	45600 (13360)	44800 (13130)				
	-35 (-37.2)	44000 (12900)	43000 (12600)	42200 (12370)	41400 (12130)	41000 (12020)	40600 (11900)				
-40 (-40.0)	38400 (11250)	37800 (11080)	37400 (10960)	37200 (10900)	37200 (10900)	37400 (10960)					
KMD200L8-Z Compressor Model ZF34K5E	0 (-17.8)	113800 (33350)	110400 (32350)	106800 (31300)	103000 (30190)	99200 (29070)	95000 (27840)				
	-5 (-20.6)	102400 (30010)	99200 (29070)	96000 (28130)	92600 (27140)	89200 (26140)	85600 (25090)				
	-10 (-23.3)	91600 (26850)	88800 (26020)	86000 (25200)	83000 (24320)	79800 (23390)	76600 (22450)				
	-15 (-26.1)	81600 (23910)	79200 (23210)	76600 (22450)	74000 (21690)	71200 (20870)	68400 (20050)				
	-20 (-28.9)	72200 (21160)	70000 (20510)	67800 (19870)	65600 (19230)	63200 (18520)	61000 (17880)				
	-25 (-31.7)	63600 (18640)	61800 (18110)	59800 (17530)	57800 (16940)	55800 (16350)	54000 (15830)				
	-30 (-34.4)	55600 (16290)	54000 (15830)	52400 (15360)	50600 (14830)	49000 (14360)	47400 (13890)				
	-35 (-37.2)	48000 (14070)	46600 (13660)	45400 (13310)	44000 (12900)	42800 (12540)	41400 (12130)				
-40 (-40.0)	41200 (12070)	40000 (11720)	38800 (11370)	37800 (11080)	36800 (10780)	36000 (10550)					
KMD260L8-Z Compressor Model ZF41K5E	0 (-17.8)	143400 (42030)	139400 (40850)	135200 (39620)	130800 (38330)	126200 (36990)	121400 (35580)				
	-5 (-20.6)	129000 (37810)	125400 (36750)	121600 (35640)	117600 (34470)	113600 (33290)	109200 (32000)				
	-10 (-23.3)	115400 (33820)	112200 (32880)	109000 (31940)	105400 (30890)	101800 (29830)	98000 (28720)				
	-15 (-26.1)	103000 (30190)	100200 (29370)	97200 (28490)	94200 (27610)	91000 (26670)	87800 (25730)				
	-20 (-28.9)	91600 (26850)	89000 (26080)	86400 (25320)	83800 (24560)	81000 (23740)	78200 (22920)				
	-25 (-31.7)	81000 (23740)	78800 (23090)	76400 (22390)	74200 (21750)	71800 (21040)	69400 (20340)				
	-30 (-34.4)	71000 (20810)	69200 (20280)	67200 (19690)	65200 (19110)	63200 (18520)	61200 (17940)				
	-35 (-37.2)	61800 (18110)	60000 (17580)	58400 (17120)	56800 (16650)	55200 (16180)	53400 (15650)				
-40 (-40.0)	53000 (15530)	51600 (15120)	50200 (14710)	49000 (14360)	47600 (13950)	46200 (13540)					
KMD300L8-Z Compressor Model ZF49K5E	0 (-17.8)	171600 (50290)	166800 (48880)	161600 (47360)	156200 (45780)	150600 (44140)	144800 (42440)				
	-5 (-20.6)	154000 (45130)	149600 (43840)	145000 (42500)	140000 (41030)	135000 (39560)	129800 (38040)				
	-10 (-23.3)	137600 (40330)	133600 (39150)	129400 (37920)	125200 (36690)	120600 (35340)	116000 (34000)				
	-15 (-26.1)	122600 (35930)	119000 (34880)	115200 (33760)	111400 (32650)	107400 (31480)	103200 (30240)				
	-20 (-28.9)	108600 (31830)	105400 (30890)	102000 (29890)	98800 (28960)	95200 (27900)	91600 (26850)				
	-25 (-31.7)	95600 (28020)	92800 (27200)	90000 (26380)	87200 (25560)	84200 (24680)	81000 (23740)				
	-30 (-34.4)	83800 (24560)	81400 (23860)	79000 (23150)	76600 (22450)	74000 (21690)	71600 (20980)				
	-35 (-37.2)	73000 (21390)	71000 (20810)	69000 (20220)	66800 (19580)	64800 (18990)	62800 (18400)				
-40 (-40.0)	63000 (18460)	61400 (17990)	59800 (17530)	58200 (17060)	56600 (16590)	55200 (16180)					
KMD340L8-Z Compressor Model ZF54K5E	0 (-17.8)	190600 (55860)	184800 (54160)	179000 (52460)	173200 (50760)	167400 (49060)	161400 (47300)				
	-5 (-20.6)	170800 (50060)	165800 (48590)	160600 (47070)	155600 (45600)	150400 (44080)	145000 (42500)				
	-10 (-23.3)	152600 (44720)	148200 (43430)	143800 (42140)	139400 (40850)	134800 (39510)	130200 (38160)				
	-15 (-26.1)	135800 (39800)	132000 (38690)	128200 (37570)	124400 (36460)	120400 (35290)	116400 (34110)				
	-20 (-28.9)	120600 (35340)	117200 (34350)	114000 (33410)	110600 (32410)	107200 (31420)	103600 (30360)				
	-25 (-31.7)	106600 (31240)	103800 (30420)	100800 (29540)	98000 (28720)	95000 (27840)	91800 (26900)				
	-30 (-34.4)	93800 (27490)	91400 (26790)	89000 (26080)	86400 (25320)	83800 (24560)	81000 (23740)				
	-35 (-37.2)	82200 (24090)	80200 (23500)	78000 (22860)	75800 (22210)	73600 (21570)	71200 (20870)				
-40 (-40.0)	71800 (21040)	70000 (20510)	68200 (19990)	66200 (19400)	64200 (18820)	61800 (18110)					

NOTES: - Above ratings are based on mean temperature. - To convert to dew point ratings, use 0.95 multiplier.

MODEL KMD	SATURATED SUCTION TEMPERATURE		CAPACITY BTU/H (WATTS) R407C AMBIENT TEMPERATURE °F (°C)							
	F°	(C°)	85 (29.4)	90 (32.2)	95 (35.0)	100 (37.8)	105 (40.6)	110 (43.3)		
KMD100H8-Z Compressor Model ZB38KCE †	55 (12.8)		161000 (47180)	157200 (46070)	153200 (44900)	149000 (43670)	144600 (42380)	139800 (40970)		
	50 (10)		148200 (43430)	144600 (42380)	140800 (41260)	136800 (40090)	132600 (38860)	128200 (37570)		
	45 (7.2)		135800 (39800)	132600 (38860)	129000 (37810)	125200 (36690)	121200 (35520)	117200 (34350)		
	40 (4.4)		124200 (36400)	121000 (35460)	117600 (34470)	114200 (33470)	110400 (32350)	106600 (31240)		
	35 (-17.8)		113200 (33180)	110200 (32300)	107000 (31360)	103800 (30420)	100400 (29420)	96800 (28370)		
KMD120H8-Z Compressor Model ZB45KCE †	55 (12.8)		193200 (56620)	187800 (55040)	182400 (53460)	176600 (51760)	170600 (50000)	164400 (48180)		
	50 (10)		177800 (52110)	172800 (50640)	167600 (49120)	162200 (47540)	156400 (45840)	150600 (44140)		
	45 (7.2)		163200 (47830)	158600 (46480)	153600 (45020)	148400 (43490)	143200 (41970)	137600 (40330)		
	40 (4.4)		149400 (43780)	144800 (42440)	140200 (41090)	135400 (39680)	130400 (38220)	125200 (36690)		
	35 (-17.8)		136000 (39860)	131800 (38630)	127400 (37340)	123000 (36050)	118400 (34700)	113600 (33290)		
KMD121H8-Z Compressor Model ZB48KCE	55 (12.8)		210600 (61720)	203800 (59730)	196800 (57680)	189600 (55570)	182400 (53460)	174800 (51230)		
	50 (10)		191800 (56210)	185600 (54390)	179200 (52520)	172800 (50640)	166200 (48710)	159200 (46660)		
	45 (7.2)		174200 (51050)	168600 (49410)	162800 (47710)	157000 (46010)	150800 (44190)	144600 (42380)		
	40 (4.4)		157600 (46190)	152600 (44720)	147400 (43200)	142000 (41620)	136400 (39970)	130600 (38270)		
	35 (-17.8)		142200 (41670)	137600 (40330)	132800 (38920)	128000 (37510)	122800 (35990)	117600 (34470)		
KMD140H8-Z Compressor Model ZB57KCE †	55 (12.8)		246800 (72330)	241400 (70750)	235600 (69050)	229600 (67290)	223400 (65470)	216800 (63540)		
	50 (10)		226600 (66410)	221400 (64890)	216000 (63300)	210400 (61660)	204400 (59900)	198400 (58150)		
	45 (7.2)		207400 (60780)	202600 (59380)	197600 (57910)	192200 (56330)	186600 (54690)	181000 (53050)		
	40 (4.4)		189400 (55510)	184800 (54160)	180000 (52750)	175000 (51290)	169800 (49760)	164600 (48240)		
	35 (-17.8)		172200 (50470)	168000 (49240)	163600 (47950)	159000 (46600)	154200 (45190)	149200 (43730)		
KMD151H8-Z Comp. Model ZB66K5E	45 (7.2)		245800 (72040)	239400 (70160)	233000 (68290)	226400 (66350)	219600 (64360)	212800 (62370)		
	40 (4.4)		223400 (65470)	217600 (63770)	211800 (62070)	205600 (60260)	199400 (58440)	192800 (56500)		
	35 (1.7)		202600 (59380)	197400 (57850)	191800 (56210)	186200 (54570)	180400 (52870)	174400 (51110)		
KMD170H8-Z Comp. Model ZB76K5E †	45 (7.2)		283200 (83000)	275600 (80770)	267800 (78480)	259800 (76140)	251600 (73740)	243400 (71330)		
	40 (4.4)		258000 (75610)	251000 (73560)	244000 (71510)	236600 (69340)	229200 (67170)	221600 (64940)		
	35 (1.7)		234600 (68750)	228200 (66880)	221600 (64940)	215000 (63010)	208200 (61020)	201400 (59020)		
KMD220H8-Z Comp. Model ZB95K5E	45 (7.2)		355000 (104040)	344800 (101050)	334400 (98000)	323800 (94900)	312800 (91670)	301600 (88390)		
	40 (4.4)		322200 (94430)	312600 (91610)	303000 (88800)	293000 (85870)	283000 (82940)	272600 (79890)		
	35 (1.7)		291400 (85400)	282800 (82880)	273800 (80240)	264600 (77550)	255200 (74790)	245400 (71920)		
KMD300H8-Z Compressor Model ZB114K5E †	55 (12.8)		488600 (143190)	475000 (139210)	461200 (135160)	447000 (131000)	432600 (126780)	417800 (122440)		
	50 (10)		446800 (130940)	434400 (127310)	421600 (123560)	408400 (119690)	395000 (115760)	381400 (111780)		
	45 (7.2)		407600 (119460)	396200 (116110)	384400 (112660)	372200 (109080)	359800 (105450)	347200 (101750)		
	40 (4.4)		371000 (108730)	360400 (105620)	349600 (102460)	338400 (99170)	327000 (95830)	315200 (92380)		
	35 (-17.8)		336800 (98710)	327000 (95830)	317000 (92900)	306800 (89910)	296200 (86810)	285400 (83640)		

NOTES: - Above ratings are based on mean temperature. - To convert to dew point ratings, use 0.95 multiplier.

† Available with Digital compressor (consult factory)

CAPACITY DATA - R407C
MEDIUM TEMPERATURE

MODEL KMD	SATURATED SUCTION TEMPERATURE ° F ° C		CAPACITY BTU/H (WATTS) R407C AMBIENT TEMPERATURE ° F (° C)							
			85 (29.4)	90 (32.2)	95 (35.0)	100 (37.8)	105 (40.6)	110 (43.3)		
KMD100M8-Z Compressor Model ZB38KCE †	30 (-1.1)		103200 (30240)	100000 (29310)	97000 (28430)	93800 (27490)	90600 (26550)	87400 (25610)		
	25 (-3.9)		93400 (27370)	90600 (26550)	87800 (25730)	85000 (24910)	82000 (24030)	79000 (23150)		
	20 (-6.7)		84400 (24740)	82000 (24030)	79400 (23270)	76800 (22510)	74000 (21690)	71200 (20870)		
	15 (-9.4)		76200 (22330)	73800 (21630)	71400 (20930)	69000 (20220)	66600 (19520)	64000 (18760)		
10 (-12.2)		68400 (20050)	66400 (19460)	64200 (18820)	61800 (18110)	59600 (17470)	57000 (16700)			
KMD120M8-Z Compressor Model ZB45KCE †	30 (-1.1)		123400 (36160)	119400 (34990)	115400 (33820)	111200 (32590)	107000 (31360)	102600 (30070)		
	25 (-3.9)		111600 (32710)	107800 (31590)	104200 (30540)	100200 (29370)	96400 (28250)	92400 (27080)		
	20 (-6.7)		100400 (29420)	97000 (28430)	93400 (27370)	90000 (26380)	86400 (25320)	82800 (24270)		
	15 (-9.4)		89800 (26320)	86800 (25440)	83600 (24500)	80400 (23560)	77200 (22630)	74200 (21750)		
10 (-12.2)		80000 (23450)	77200 (22630)	74400 (21800)	71600 (20980)	69000 (20220)	66200 (19400)			
KMD121M8-Z Compressor Model ZB48KCE	30 (-1.1)		127600 (37400)	123600 (36220)	119200 (34930)	114800 (33640)	110000 (32240)	105200 (30830)		
	25 (-3.9)		114200 (33470)	110400 (32350)	106400 (31180)	102200 (29950)	98000 (28720)	93600 (27430)		
	20 (-6.7)		101400 (29720)	98000 (28720)	94400 (27670)	90600 (26550)	86600 (25380)	82600 (24210)		
	15 (-9.4)		89600 (26260)	86400 (25320)	83000 (24320)	79400 (23270)	75800 (22210)	72000 (21100)		
10 (-12.2)		78400 (22980)	75400 (22100)	72200 (21160)	69000 (20220)	65600 (19230)	62000 (18170)			
KMD140M8-Z Compressor Model ZB57KCE †	30 (-1.1)		156200 (45780)	152200 (44610)	148200 (43430)	143800 (42140)	139400 (40850)	134800 (39510)		
	25 (-3.9)		141200 (41380)	137600 (40330)	133600 (39150)	129600 (37980)	125600 (36810)	121400 (35580)		
	20 (-6.7)		127200 (37280)	123800 (36280)	120200 (35230)	116600 (34170)	112800 (33060)	108800 (31890)		
	15 (-9.4)		114000 (33410)	110800 (32470)	107600 (31530)	104200 (30540)	100800 (29540)	97400 (28550)		
10 (-12.2)		101800 (29830)	99000 (29010)	96000 (28130)	93000 (27260)	90000 (26380)	86800 (25440)			
KMD151M8-Z Compressor Model ZB66K5E	30 (-1.1)		183400 (53750)	178400 (52280)	173400 (50820)	168200 (49290)	162800 (47710)	157400 (46130)		
	25 (-3.9)		165400 (48470)	161000 (47180)	156200 (45780)	151400 (44370)	146600 (42960)	141400 (41440)		
	20 (-6.7)		149000 (43670)	144800 (42440)	140400 (41150)	136000 (39860)	131400 (38510)	126800 (37160)		
	15 (-9.4)		133800 (39210)	129800 (38040)	125800 (36870)	121800 (35700)	117600 (34470)	113200 (33180)		
10 (-12.2)		119600 (35050)	116000 (34000)	112400 (32940)	108600 (31830)	104600 (30660)	100600 (29480)			
KMD170M8-Z Compressor Model ZB76K5E †	30 (-1.1)		212800 (62370)	207000 (60670)	201000 (58910)	195000 (57150)	188800 (55330)	182600 (53510)		
	25 (-3.9)		192400 (56390)	187200 (54860)	181800 (53280)	176400 (51700)	170800 (50060)	165000 (48360)		
	20 (-6.7)		173600 (50880)	168800 (49470)	164000 (48060)	159000 (46600)	154000 (45130)	149000 (43670)		
	15 (-9.4)		156200 (45780)	152000 (44550)	147600 (43260)	143200 (41970)	138600 (40620)	134000 (39270)		
10 (-12.2)		140200 (41090)	136400 (39970)	132400 (38800)	128400 (37630)	124200 (36400)	120200 (35230)			
KMD220M8-Z Compressor Model ZB95K5E	30 (-1.1)		263000 (77080)	254800 (74670)	246600 (72270)	238000 (69750)	229200 (67170)	220400 (64590)		
	25 (-3.9)		236400 (69280)	229000 (67110)	221400 (64890)	213400 (62540)	205400 (60200)	197000 (57730)		
	20 (-6.7)		212000 (62130)	205000 (60080)	198000 (58030)	190600 (55860)	183200 (53690)	175400 (51400)		
	15 (-9.4)		189400 (55510)	183000 (53630)	176400 (51700)	169600 (49700)	162600 (47650)	155600 (45600)		
10 (-12.2)		168600 (49410)	162600 (47650)	156400 (45840)	150200 (44020)	143800 (42140)	137200 (40210)			
KMD300M8-Z Compressor Model ZB114K5E †	30 (-1.1)		304800 (89330)	295800 (86690)	286800 (84050)	277200 (81240)	267600 (78430)	257600 (75490)		
	25 (-3.9)		275200 (80650)	267000 (78250)	258600 (75790)	249800 (73210)	240800 (70570)	231800 (67930)		
	20 (-6.7)		247600 (72560)	240200 (70400)	232400 (68110)	224400 (65760)	216200 (63360)	207600 (60840)		
	15 (-9.4)		222200 (65120)	215200 (63070)	208000 (60960)	200800 (58850)	193200 (56620)	185400 (54340)		
10 (-12.2)		198600 (58200)	192200 (56330)	185600 (54390)	178800 (52400)	171800 (50350)	164600 (48240)			

NOTES: - Above ratings are based on mean temperature. - To convert to dew point ratings, use 0.95 multiplier.

Shaded Area Restriction: 20°F Max Superheat

† Available with Digital compressor (consult factory)

MODEL KMD	SATURATED SUCTION TEMPERATURE F° (C°)	CAPACITY BTU/H (WATTS) R404A R507 AMBIENT TEMPERATURE °F (°C)												
		85 (29.4)	90 (32.2)	95 (35.0)	100 (37.8)	105 (40.6)	110 (43.3)							
KMD100H8-Z	45 (7.2)	139600 (40910)	134200 (39330)	128800 (37750)	123200 (36110)	117600 (34470)	111800 (32770)	Comp. Model	129400 (37920)	124400 (36460)	119400 (34990)	114200 (33470)	108800 (31890)	103200 (30240)
ZB38KCE †	35 (1.7)	119600 (35050)	115000 (33700)	110200 (32300)	105200 (30830)	100200 (29370)	95200 (27900)							
KMD120H8-Z	45 (7.2)	162000 (47480)	155600 (45600)	149200 (43730)	142600 (41790)	136000 (39860)	129400 (37920)	Comp. Model	150200 (44020)	144200 (42260)	138200 (40500)	132200 (38740)	126000 (36930)	119800 (35110)
ZB45KCE †	35 (1.7)	138800 (40680)	133400 (39100)	127800 (37450)	122200 (35810)	116400 (34110)	110600 (32410)							
KMD121H8-Z	45 (7.2)	178800 (52400)	171800 (50350)	164600 (48240)	157200 (46070)	149800 (43900)	142200 (41670)	Comp. Model	166000 (48650)	159400 (46720)	152600 (44720)	145800 (42730)	139000 (40740)	131800 (38630)
ZB48KCE	35 (1.7)	153800 (45070)	147600 (43260)	141200 (41380)	135000 (39560)	128600 (37690)	122000 (35750)							
KMD140H8-Z	45 (7.2)	215400 (63130)	207400 (60780)	199200 (58380)	190800 (55920)	182200 (53400)	173200 (50760)	Comp. Model	199200 (58380)	191800 (56210)	184200 (53980)	176600 (51760)	168600 (49410)	160400 (47010)
ZB57KCE †	35 (1.7)	183600 (53810)	176800 (51810)	170000 (49820)	163000 (47770)	155600 (45600)	148200 (43430)							
KMD151H8-Z	45 (7.2)	250600 (73440)	240400 (70450)	230200 (67460)	220000 (64480)	209800 (61490)	199200 (58380)	Comp. Model	231800 (67930)	222600 (65240)	213200 (62480)	203800 (59730)	194200 (56910)	184600 (54100)
ZB66K5E	35 (1.7)	214000 (62720)	205600 (60260)	197000 (57730)	188400 (55210)	179600 (52640)	170800 (50060)							
KMD170H8-Z	45 (7.2)	281800 (82590)	270600 (79300)	259400 (76020)	248000 (72680)	236600 (69340)	225000 (65940)	Comp. Model	260800 (76430)	250600 (73440)	240200 (70400)	229800 (67350)	219200 (64240)	208400 (61080)
ZB76K5E †	35 (1.7)	241000 (70630)	231600 (67880)	222000 (65060)	212400 (62250)	202600 (59380)	192800 (56500)							
KMD220H8-Z	45 (7.2)	357200 (104680)	343200 (100580)	328800 (96360)	314400 (92140)	299600 (87800)	284600 (83410)	Comp. Model	330800 (96950)	317800 (93140)	304600 (89270)	291200 (85340)	277600 (81360)	263600 (77250)
ZB95K5E	35 (1.7)	305600 (89560)	293600 (86050)	281400 (82470)	269000 (78840)	256400 (75140)	243600 (71390)							
KMD300H8-Z	45 (7.2)	416400 (122030)	400000 (117230)	383200 (112300)	366400 (107380)	349000 (102280)	331600 (97180)	Comp. Model	386200 (113180)	370800 (108670)	355400 (104160)	339600 (99530)	323600 (94840)	307200 (90030)
ZB114K5E †	35 (1.7)	357200 (104680)	343000 (100520)	328600 (96300)	314000 (92020)	299000 (87630)	283800 (83170)							

† Available with Digital compressor (consult factory)

MODEL KMD	SATURATED SUCTION TEMPERATURE		CAPACITY BTU/H (WATTS) R404A R507 AMBIENT TEMPERATURE °F (°C)							
	°F	°C	85 (29.4)	90 (32.2)	95 (35.0)	100 (37.8)	105 (40.6)	110 (43.3)		
KMD100M8-Z Compressor Model ZB38KCE †	30 (-1.1)		110200 (32300)	105800 (31010)	101400 (29720)	96800 (28370)	92000 (26960)	87200 (25560)		
	25 (-3.9)		101000 (29600)	97000 (28430)	92800 (27200)	88600 (25970)	84200 (24680)	79800 (23390)		
	20 (-6.7)		92200 (27020)	88400 (25910)	84600 (24790)	80600 (23620)	76600 (22450)	72600 (21280)		
	15 (-9.4)		83800 (24560)	80400 (23560)	76800 (22510)	73200 (21450)	69400 (20340)	65800 (19280)		
	10 (-12.2)		75800 (22210)	72600 (21280)	69400 (20340)	66000 (19340)	62600 (18350)	59400 (17410)		
	5 (-15)		68400 (20050)	65400 (19170)	62400 (18290)	59400 (17410)	56400 (16530)	53200 (15590)		
KMD120M8-Z Compressor Model ZB45KCE †	30 (-1.1)		128000 (37510)	122800 (35990)	117800 (34520)	112600 (33000)	107200 (31420)	101800 (29830)		
	25 (-3.9)		117600 (34470)	113000 (33120)	108200 (31710)	103400 (30300)	98400 (28840)	93400 (27370)		
	20 (-6.7)		107600 (31530)	103400 (30300)	99200 (29070)	94600 (27720)	90200 (26430)	85600 (25090)		
	15 (-9.4)		98400 (28840)	94400 (27670)	90400 (26490)	86400 (25320)	82400 (24150)	78000 (22860)		
	10 (-12.2)		89400 (26200)	86000 (25200)	82400 (24150)	78600 (23040)	74800 (21920)	71000 (20810)		
	5 (-15)		81200 (23800)	78000 (22860)	74600 (21860)	71200 (20870)	67800 (19870)	64200 (18820)		
KMD121M8-Z Compressor Model ZB48KCE	30 (-1.1)		141800 (41560)	136200 (39920)	130400 (38220)	124600 (36520)	118600 (34760)	112400 (32940)		
	25 (-3.9)		130600 (38270)	125400 (36750)	120000 (35170)	114600 (33590)	109000 (31940)	103400 (30300)		
	20 (-6.7)		119800 (35110)	115000 (33700)	110200 (32300)	105200 (30830)	100000 (29310)	94800 (27780)		
	15 (-9.4)		109600 (32120)	105200 (30830)	100600 (29480)	96000 (28130)	91400 (26790)	86600 (25380)		
	10 (-12.2)		99800 (29250)	95800 (28080)	91800 (26900)	87600 (25670)	83200 (24380)	78800 (23090)		
	5 (-15)		90600 (26550)	87000 (25500)	83400 (24440)	79400 (23270)	75600 (22160)	71600 (20980)		
KMD140M8-Z Compressor Model ZB57KCE †	30 (-1.1)		168600 (49410)	162600 (47650)	156400 (45840)	150000 (43960)	143400 (42030)	136600 (40030)		
	25 (-3.9)		154600 (45310)	149000 (43670)	143400 (42030)	137600 (40330)	131800 (38630)	125600 (36810)		
	20 (-6.7)		141200 (41380)	136400 (39970)	131200 (38450)	126000 (36930)	120600 (35340)	115000 (33700)		
	15 (-9.4)		128800 (37750)	124200 (36400)	119600 (35050)	115000 (33700)	110200 (32300)	105200 (30830)		
	10 (-12.2)		117000 (34290)	113000 (33120)	108800 (31890)	104600 (30660)	100400 (29420)	96000 (28130)		
	5 (-15)		106000 (31070)	102400 (30010)	98600 (28900)	95000 (27840)	91200 (26730)	87200 (25560)		
KMD151M8-Z Compressor Model ZB66K5E	30 (-1.1)		197000 (57730)	189400 (55510)	181600 (53220)	173600 (50880)	165600 (48530)	157400 (46130)		
	25 (-3.9)		181000 (53050)	174000 (50990)	166800 (48880)	159600 (46770)	152400 (44660)	144800 (42440)		
	20 (-6.7)		165800 (48590)	159400 (46720)	153000 (44840)	146400 (42910)	139600 (40910)	132800 (38920)		
	15 (-9.4)		151400 (44370)	145600 (42670)	139800 (40970)	133800 (39210)	127600 (37400)	121400 (35580)		
	10 (-12.2)		137800 (40390)	132600 (38860)	127200 (37280)	121800 (35700)	116200 (34050)	110600 (32410)		
	5 (-15)		124800 (36580)	120200 (35230)	115400 (33820)	110400 (32350)	105400 (30890)	100400 (29420)		
KMD170M8-Z Compressor Model ZB76K5E †	30 (-1.1)		222200 (65120)	213600 (62600)	204800 (60020)	196000 (57440)	187200 (54860)	178200 (52230)		
	25 (-3.9)		204200 (59840)	196400 (57560)	188400 (55210)	180400 (52870)	172400 (50530)	164200 (48120)		
	20 (-6.7)		187400 (54920)	180200 (52810)	173000 (50700)	165800 (48590)	158400 (46420)	151200 (44310)		
	15 (-9.4)		171400 (50230)	165000 (48360)	158400 (46420)	152000 (44550)	145400 (42610)	138600 (40620)		
	10 (-12.2)		156200 (45780)	150400 (44080)	144600 (42380)	138800 (40680)	132800 (38920)	127000 (37220)		
	5 (-15)		141800 (41560)	136800 (40090)	131600 (38570)	126400 (37040)	121000 (35460)	115800 (33940)		
KMD220M8-Z Compressor Model ZB95K5E	30 (-1.1)		281400 (82470)	270600 (79300)	259400 (76020)	248000 (72680)	236200 (69220)	224400 (65760)		
	25 (-3.9)		258400 (75730)	248600 (72860)	238200 (69810)	227800 (66760)	217000 (63600)	206000 (60370)		
	20 (-6.7)		236800 (69400)	227600 (66700)	218200 (63950)	208600 (61130)	198600 (58200)	188400 (55210)		
	15 (-9.4)		216000 (63300)	207600 (60840)	199000 (58320)	190200 (55740)	181000 (53050)	171400 (50230)		
	10 (-12.2)		196400 (57560)	188800 (55330)	180800 (52990)	172600 (50580)	164000 (48060)	155200 (45480)		
	5 (-15)		177800 (52110)	170600 (50000)	163400 (47890)	155800 (45660)	147800 (43320)	139400 (40850)		
KMD300M8-Z Compressor Model ZB114K5E †	30 (-1.1)		329400 (96540)	316400 (92730)	303000 (88800)	289400 (84810)	275600 (80770)	261400 (76610)		
	25 (-3.9)		302800 (88740)	290800 (85220)	278400 (81590)	266000 (77960)	253000 (74150)	239800 (70280)		
	20 (-6.7)		277400 (81300)	266400 (78070)	255000 (74730)	243400 (71330)	231600 (67880)	219200 (64240)		
	15 (-9.4)		253200 (74210)	243200 (71270)	232600 (68170)	222000 (65060)	211000 (61840)	199600 (58500)		
	10 (-12.2)		230200 (67460)	221000 (64770)	211400 (61950)	201400 (59020)	191200 (56030)	180600 (52930)		
	5 (-15)		208400 (61080)	199800 (58560)	191000 (55980)	181800 (53280)	172400 (50530)	162400 (47590)		
0 (-17.8)		187800 (55040)	179800 (52690)	171600 (50290)	163200 (47830)	154200 (45190)	145000 (42500)			

Shaded Area Restriction: 20°F Max Superheat

† Available with Digital compressor (consult factory)

ELECTRICAL DATA COPELAND MODELS

MODEL KMS	COMPRESSOR MODEL NO.	POWER SUPPLY	COMPRESSOR		CONDENSER FAN MOTOR *			UNIT		
			RLA	LRA	QTY	WATTS	FLA	MCA	MOP	
KMS050H8-H	T3A-Z	ZB38KCE-TF5	208-230/3/60	22.1	128	1	780	3.6	31.2	50
	T4A-Z	ZB38KCE-TFD	460/3/60	9.6	63	1	780	1.7	13.7	20
	T5A-Z	ZB38KCE-TFE	575/3//60	7.1	50	1	780	1.4	10.3	15
KMS060H8-H	T3A-Z	ZB45KCE-TF5	208-230/3/60	22.5	156	1	780	3.6	31.7	50
	T4A-Z	ZB45KCE-TFD	460/3/60	11.5	75	1	780	1.7	16.1	25
	T5A-Z	ZB45KCE-TFE	575/3//60	7.9	54	1	780	1.4	11.3	15
KMS061H8-H	T3A-Z	ZB48KCE-TF5	208-230/3/60	25.4	164	1	780	3.6	35.4	60
	T4A-Z	ZB48KCE-TFD	460/3/60	13.6	100	1	780	1.7	18.7	30
	T5A-Z	ZB48KCE-TFE	575/3//60	10.1	78	1	780	1.4	14.0	20
KMS070H8-H	T3A-Z	ZB57KCE-TF5	208-230/3/60	35.5	224	2	1560	7.2	51.6	80
	T4A-Z	ZB57KCE-TFD	460/3/60	15.2	99	2	1560	3.4	22.4	35
	T5A-Z	ZB57KCE-TFE	575/3//60	11.7	82	2	1560	2.8	17.4	25
KMS076H8-H	T3A-Z	ZB66K5E-TFC	208-230/3/60	39.3	225	2	1560	7.2	56.3	90
	T4A-Z	ZB66K5E-TFD	460/3/60	17.3	114	2	1560	3.4	25.0	40
	T5A-Z	ZB66K5E-TFE	575/3//60	14.3	80	2	1560	2.8	20.7	30
KMS085H8-H	T3A-Z	ZB76K5E-TFC	208-230/3/60	43.0	239	2	1560	7.2	61.0	100
	T4A-Z	ZB76K5E-TFD	460/3/60	20.7	125	2	1560	3.4	29.3	45
	T5A-Z	ZB76K5E-TFE	575/3//60	14.6	80	2	1560	2.8	21.1	35
KMS110H8-H	T3A-Z	ZB95K5E-TWC	208-230/3/60	52.9	298	2	1560	7.2	73.3	125
	T4A-Z	ZB95K5E-TFD	460/3/60	25.0	150	2	1560	3.4	34.7	50
	T5A-Z	ZB95K5E-TFE	575/3//60	20.8	123	2	1560	2.8	28.8	45
KMS150H8-H	T3A-Z	ZB114K5E-TWC	208-230/3/60	63.0	321	2	1560	7.2	86.0	125
	T4A-Z	ZB114K5E-TFD	460/3/60	27.9	179	2	1560	3.4	38.3	60
	T5A-Z	ZB114K5E-TWE	575/3//60	21.0	145	2	1560	2.8	29.1	50
KMS050M8-H	T3A-Z	ZB38KCE-TF5	208-230/3/60	22.1	128	1	780	3.6	31.2	50
	T4A-Z	ZB38KCE-TFD	460/3/60	9.6	63	1	780	1.7	13.7	20
	T5A-Z	ZB38KCE-TFE	575/3//60	7.1	50	1	780	1.4	10.3	15
KMS060M8-H	T3A-Z	ZB45KCE-TF5	208-230/3/60	22.5	156	1	780	3.6	31.7	50
	T4A-Z	ZB45KCE-TFD	460/3/60	11.5	75	1	780	1.7	16.1	25
	T5A-Z	ZB45KCE-TFE	575/3//60	7.9	54	1	780	1.4	11.3	15
KMS061M8-H	T3A-Z	ZB48KCE-TF5	208-230/3/60	25.4	164	1	780	3.6	35.4	60
	T4A-Z	ZB48KCE-TFD	460/3/60	13.6	100	1	780	1.7	18.7	30
	T5A-Z	ZB48KCE-TFE	575/3//60	10.1	78	1	780	1.4	14.0	20
KMS070M8-H	T3A-Z	ZB57KCE-TF5	208-230/3/60	35.5	224	2	1560	7.2	51.6	80
	T4A-Z	ZB57KCE-TFD	460/3/60	15.2	99	2	1560	3.4	22.4	35
	T5A-Z	ZB57KCE-TFE	575/3//60	11.7	82	2	1560	2.8	17.4	25
KMS076M8-H	T3A-Z	ZB66K5E-TFC	208-230/3/60	39.3	225	2	1560	7.2	56.3	90
	T4A-Z	ZB66K5E-TFD	460/3/60	17.3	114	2	1560	3.4	25.0	40
	T5A-Z	ZB66K5E-TFE	575/3//60	14.3	80	2	1560	2.8	20.7	30
KMS085M8-H	T3A-Z	ZB76K5E-TFC	208-230/3/60	43.0	239	2	1560	7.2	61.0	100
	T4A-Z	ZB76K5E-TFD	460/3/60	20.7	125	2	1560	3.4	29.3	45
	T5A-Z	ZB76K5E-TFE	575/3//60	14.6	80	2	1560	2.8	21.1	35
KMS110M8-H	T3A-Z	ZB95K5E-TWC	208-230/3/60	52.9	298	2	1560	7.2	73.3	125
	T4A-Z	ZB95K5E-TFD	460/3/60	25.0	150	2	1560	3.4	34.7	50
	T5A-Z	ZB95K5E-TFE	575/3//60	20.8	123	2	1560	2.8	28.8	45
KMS150M8-H	T3A-Z	ZB114K5E-TWC	208-230/3/60	63.0	321	2	1560	7.2	86.0	125
	T4A-Z	ZB114K5E-TFD	460/3/60	27.9	179	2	1560	3.4	38.3	60
	T5A-Z	ZB114K5E-TWE	575/3//60	21.0	145	2	1560	2.8	29.1	50
KMS060L8-H	T3A-Z	ZF18K4E-TF5	208-230/3/60	21.8	156	1	780	3.6	30.9	50
	T4A-Z	ZF18K4E-TFD	460/3/60	8.9	75	1	780	1.7	12.8	20
	T5A-Z	ZF18K4E-TFE	575/3//60	7.9	54	1	780	1.4	11.3	15
KMS075L8-H	T3A-Z	ZF25K4E-TF5	208-230/3/60	26.7	224	1	780	3.6	37.0	60
	T4A-Z	ZF25K4E-TFD	460/3/60	11.9	99	1	780	1.7	16.6	25
	T5A-Z	ZF25K4E-TFE	575/3//60	9.1	82	1	780	1.4	12.8	20
KMS085L8-H	T3A-Z	ZF28K4E-TFC	208-230/3/60	30.4	199	1	780	3.6	41.6	70
	T4A-Z	ZF28K4E-TFD	460/3/60	14.4	121	1	780	1.7	19.7	30
	T5A-Z	ZF28K4E-TFE	575/3//60	11.4	69	1	780	1.4	15.7	25
KMS100L8-H	T3A-Z	ZF34K5E-TFC	208-230/3/60	37.1	239	1	780	3.6	50.0	80
	T4A-Z	ZF34K5E-TFD	460/3/60	17.9	125	1	780	1.7	24.1	40
	T5A-Z	ZF34K5E-TFE	575/3//60	14.3	100	1	780	1.4	19.3	30
KMS130L8-H	T3A-Z	ZF41K5E-TFC	208-230/3/60	42.1	248	2	1560	7.2	59.8	100
	T4A-Z	ZF41K5E-TFD	460/3/60	19.3	125	2	1560	3.4	27.5	45
	T5A-Z	ZF41K5E-TFE	575/3//60	15.6	100	2	1560	2.8	22.3	35
KMS150L8-H	T3A-Z	ZF49K5E-TFC	208-230/3/60	50.7	40	2	1560	7.2	70.6	120
	T4A-Z	ZF49K5E-TFD	460/3/60	20.2	139	2	1560	3.4	28.7	45
	T5A-Z	ZF49K5E-TFE	575/3//60	18.2	123	2	1560	2.8	25.6	40
KMS170L8-H	T3A-Z	ZF54K5E-TFC	208-230/3/60	58.7	423	2	1560	7.2	80.6	125
	T4A-Z	ZF54K5E-TFD	460/3/60	28.6	185	2	1560	3.4	39.2	60
	T5A-Z	ZF54K5E-TFE	575/3//60	22.9	145	2	1560	2.8	31.4	50

* = Condenser fan motors are single phase motors

MODEL KMD	COMPRESSOR MODEL NO.	POWER SUPPLY	COMPRESSOR		CONDENSER FAN MOTOR *			UNIT		
			RLA	LRA	QTY	WATTS	FLA	MCA	MOP	
KMD100H8-H	T3A-Z	ZB38KCE-TF5	208-230/3/60	22.1	128	2	1560	7.2	56.9	70
	T4A-Z	ZB38KCE-TFD	460/3/60	9.6	63	2	1560	3.4	25.0	30
	T5A-Z	ZB38KCE-TFE	575/3//60	7.1	50	2	1560	2.8	18.8	25
KMD120H8-H	T3A-Z	ZB45KCE-TF5	208-230/3/60	22.5	156	2	1560	7.2	57.8	80
	T4A-Z	ZB45KCE-TFD	460/3/60	11.5	75	2	1560	3.4	29.3	40
	T5A-Z	ZB45KCE-TFE	575/3//60	7.9	54	2	1560	2.8	20.6	25
KMD121H8-H	T3A-Z	ZB48KCE-TF5	208-230/3/60	25.4	164	2	1560	7.2	64.4	80
	T4A-Z	ZB48KCE-TFD	460/3/60	13.6	100	2	1560	3.4	34.0	45
	T5A-Z	ZB48KCE-TFE	575/3//60	10.1	78	2	1560	2.8	25.5	35
KMD140H8-H	T3A-Z	ZB57KCE-TF5	208-230/3/60	35.5	224	4	3120	14.4	94.3	125
	T4A-Z	ZB57KCE-TFD	460/3/60	15.2	99	4	3120	6.8	41.0	55
	T5A-Z	ZB57KCE-TFE	575/3//60	11.7	82	4	3120	5.6	31.9	40
KMD151H8-H	T3A-Z	ZB66K5E-TFC	208-230/3/60	39.3	225	4	3120	14.4	102.8	125
	T4A-Z	ZB66K5E-TFD	460/3/60	17.3	114	4	3120	6.8	45.7	60
	T5A-Z	ZB66K5E-TFE	575/3//60	14.3	80	4	3120	5.6	37.8	50
KMD170H8-H	T3A-Z	ZB76K5E-TFC	208-230/3/60	43.0	239	4	3120	14.4	111.2	150
	T4A-Z	ZB76K5E-TFD	460/3/60	20.7	125	4	3120	6.8	53.4	70
	T5A-Z	ZB76K5E-TFE	575/3//60	14.6	80	4	3120	5.6	38.5	50
KMD220H8-H	T3A-Z	ZB95K5E-TWC	208-230/3/60	52.9	298	4	3120	14.4	133.4	175
	T4A-Z	ZB95K5E-TFD	460/3/60	25.0	150	4	3120	6.8	63.1	80
	T5A-Z	ZB95K5E-TFE	575/3//60	20.8	123	4	3120	5.6	52.4	70
KMD300H8-H	T3A-Z	ZB114K5E-TWC	208-230/3/60	63.0	321	4	3120	14.4	156.2	200
	T4A-Z	ZB114K5E-TFD	460/3/60	27.9	179	4	3120	6.8	69.6	90
	T5A-Z	ZB114K5E-TWE	575/3//60	21.0	145	4	3120	5.6	52.9	70
KMD100M8-H	T3A-Z	ZB38KCE-TF5	208-230/3/60	22.1	128	2	1560	7.2	56.9	70
	T4A-Z	ZB38KCE-TFD	460/3/60	9.6	63	2	1560	3.4	25.0	30
	T5A-Z	ZB38KCE-TFE	575/3//60	7.1	50	2	1560	2.8	18.8	25
KMD120M8-H	T3A-Z	ZB45KCE-TF5	208-230/3/60	22.5	156	2	1560	7.2	57.8	80
	T4A-Z	ZB45KCE-TFD	460/3/60	11.5	75	2	1560	3.4	29.3	40
	T5A-Z	ZB45KCE-TFE	575/3//60	7.9	54	2	1560	2.8	20.6	25
KMD121M8-H	T3A-Z	ZB48KCE-TF5	208-230/3/60	25.4	164	2	1560	7.2	64.4	80
	T4A-Z	ZB48KCE-TFD	460/3/60	13.6	100	2	1560	3.4	34.0	45
	T5A-Z	ZB48KCE-TFE	575/3//60	10.1	78	2	1560	2.8	25.5	35
KMD140M8-H	T3A-Z	ZB57KCE-TF5	208-230/3/60	35.5	224	4	3120	14.4	94.3	125
	T4A-Z	ZB57KCE-TFD	460/3/60	15.2	99	4	3120	6.8	41.0	55
	T5A-Z	ZB57KCE-TFE	575/3//60	11.7	82	4	3120	5.6	31.9	40
KMD151M8-H	T3A-Z	ZB66K5E-TFC	208-230/3/60	39.3	225	4	3120	14.4	102.8	125
	T4A-Z	ZB66K5E-TFD	460/3/60	17.3	114	4	3120	6.8	45.7	60
	T5A-Z	ZB66K5E-TFE	460/3/60	14.3	80	4	3120	5.6	37.8	50
KMD170M8-H	T3A-Z	ZB76K5E-TFC	208-230/3/60	43.0	239	4	3120	14.4	111.2	150
	T4A-Z	ZB76K5E-TFD	460/3/60	20.7	125	4	3120	6.8	53.4	70
	T5A-Z	ZB76K5E-TFE	575/3//60	14.6	80	4	3120	5.6	38.5	50
KMD220M8-H	T3A-Z	ZB95K5E-TWC	208-230/3/60	52.9	298	4	3120	14.4	133.4	175
	T4A-Z	ZB95K5E-TFD	460/3/60	25.0	150	4	3120	6.8	63.1	80
	T5A-Z	ZB95K5E-TFE	575/3//60	20.8	123	4	3120	5.6	52.4	70
KMD300M8-H	T3A-Z	ZB114K5E-TWC	208-230/3/60	63.0	321	4	3120	14.4	156.2	200
	T4A-Z	ZB114K5E-TFD	460/3/60	27.9	179	4	3120	6.8	69.6	90
	T5A-Z	ZB114K5E-TWE	575/3//60	21.0	145	4	3120	5.6	52.9	70
KMD120L8-H	T3A-Z	ZF18K4E-TF5	208-230/3/60	21.8	156	2	1560	7.2	56.3	70
	T4A-Z	ZF18K4E-TFD	460/3/60	8.9	75	2	1560	3.4	23.4	30
	T5A-Z	ZF18K4E-TFE	575/3//60	7.9	54	2	1560	2.8	20.6	25
KMD150L8-H	T3A-Z	ZF25K4E-TF5	208-230/3/60	26.7	224	2	1560	7.2	67.3	90
	T4A-Z	ZF25K4E-TFD	460/3/60	11.9	99	2	1560	3.4	30.2	40
	T5A-Z	ZF25K4E-TFE	575/3//60	9.1	82	2	1560	2.8	23.3	30
KMD170L8-H	T3A-Z	ZF28K4E-TFC	208-230/3/60	30.4	199	2	1560	7.2	75.6	100
	T4A-Z	ZF28K4E-TFD	460/3/60	14.4	121	2	1560	3.4	35.8	50
	T5A-Z	ZF28K4E-TFE	575/3//60	11.4	69	2	1560	2.8	28.5	35
KMD200L8-H	T3A-Z	ZF34K5E-TFC	208-230/3/60	37.1	239	2	1560	7.2	90.7	125
	T4A-Z	ZF34K5E-TFD	460/3/60	17.9	125	2	1560	3.4	43.7	60
	T5A-Z	ZF34K5E-TFE	575/3//60	14.3	100	2	1560	2.8	35.0	45
KMD260L8-H	T3A-Z	ZF41K5E-TFC	208-230/3/60	42.1	248	4	3120	14.4	109.1	150
	T4A-Z	ZF41K5E-TFD	460/3/60	19.3	125	4	3120	6.8	50.2	60
	T5A-Z	ZF41K5E-TFE	575/3//60	15.6	100	4	3120	5.6	40.7	55
KMD300L8-H	T3A-Z	ZF49K5E-TFC	208-230/3/60	50.7	40	4	3120	14.4	128.5	175
	T4A-Z	ZF49K5E-TFD	460/3/60	20.2	139	4	3120	6.8	52.3	70
	T5A-Z	ZF49K5E-TFE	575/3//60	18.2	123	4	3120	5.6	46.6	60
KMD340L8-H	T3A-Z	ZF54K5E-TFC	208-230/3/60	58.7	423	4	3120	14.4	146.5	200
	T4A-Z	ZF54K5E-TFD	460/3/60	28.6	185	4	3120	6.8	71.2	90
	T5A-Z	ZF54K5E-TFE	575/3//60	22.9	145	4	3120	5.6	57.1	80

* = Condenser fan motors are single phase motors

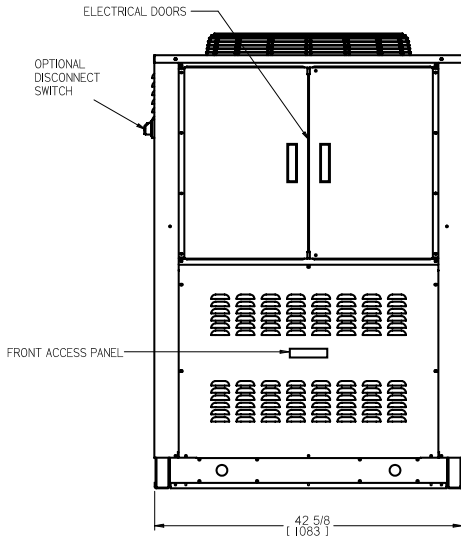
MODEL KMS	COMPRESSOR MODEL NO.	POWER SUPPLY	COMPRESSOR		CONDENSER FAN MOTOR *			UNIT		
			RLA	LRA	QTY	WATTS	FLA	MCA	MOP	
KMS050H8-H	T3A-Z	ZB38KCE-TF5	208-230/3/60	22.1	128	1	590	5.0	32.6	50
	T4A-Z	ZB38KCE-TFD	460/3/60	9.6	63	1	590	2.5	14.5	20
	T5A-Z	ZB38KCE-TFE	575/3/60	7.1	50	1	590	2.0	10.9	15
KMS060H8-H	T3A-Z	ZB45KCE-TF5	208-230/3/60	22.5	156	1	590	5.0	33.1	50
	T4A-Z	ZB45KCE-TFD	460/3/60	11.5	75	1	590	2.5	16.9	25
	T5A-Z	ZB45KCE-TFE	575/3/60	7.9	54	1	590	2.0	11.9	15
KMS061H8-H	T3A-Z	ZB48KCE-TF5	208-230/3/60	25.4	164	1	590	5.0	36.8	60
	T4A-Z	ZB48KCE-TFD	460/3/60	13.6	100	1	590	2.5	19.5	30
	T5A-Z	ZB48KCE-TFE	575/3/60	10.1	78	1	590	2.0	14.6	20
KMS070H8-H	T3A-Z	ZB57KCE-TF5	208-230/3/60	35.5	224	2	1180	10.0	54.4	80
	T4A-Z	ZB57KCE-TFD	460/3/60	15.2	99	2	1180	5.0	24.0	35
	T5A-Z	ZB57KCE-TFE	575/3/60	11.7	82	2	1180	4.0	18.6	30
KMS076H8-H	T3A-Z	ZB66K5E-TFC	208-230/3/60	39.3	225	2	1180	10.0	59.1	90
	T4A-Z	ZB66K5E-TFD	460/3/60	17.3	114	2	1180	5.0	26.6	40
	T5A-Z	ZB66K5E-TFE	575/3/60	14.3	80	2	1180	4.0	21.9	35
KMS085H8-H	T3A-Z	ZB76K5E-TFC	208-230/3/60	43.0	239	2	1180	10.0	63.8	100
	T4A-Z	ZB76K5E-TFD	460/3/60	20.7	125	2	1180	5.0	30.9	50
	T5A-Z	ZB76K5E-TFE	575/3/60	14.6	80	2	1180	4.0	22.3	35
KMS110H8-H	T3A-Z	ZB95K5E-TWC	208-230/3/60	52.9	298	2	1180	10.0	76.1	125
	T4A-Z	ZB95K5E-TFD	460/3/60	25.0	150	2	1180	5.0	36.3	60
	T5A-Z	ZB95K5E-TFE	575/3/60	20.8	123	2	1180	4.0	30.0	50
KMS150H8-H	T3A-Z	ZB114K5E-TWC	208-230/3/60	63.0	321	2	1180	10.0	88.8	150
	T4A-Z	ZB114K5E-TFD	460/3/60	27.9	179	2	1180	5.0	39.9	60
	T5A-Z	ZB114K5E-TWE	575/3/60	21.0	145	2	1180	4.0	30.3	50
KMS050M8-H	T3A-Z	ZB38KCE-TF5	208-230/3/60	22.1	128	1	590	5.0	32.6	50
	T4A-Z	ZB38KCE-TFD	460/3/60	9.6	63	1	590	2.5	14.5	20
	T5A-Z	ZB38KCE-TFE	575/3/60	7.1	50	1	590	2.0	10.9	15
KMS060M8-H	T3A-Z	ZB45KCE-TF5	208-230/3/60	22.5	156	1	590	5.0	33.1	50
	T4A-Z	ZB45KCE-TFD	460/3/60	11.5	75	1	590	2.5	16.9	25
	T5A-Z	ZB45KCE-TFE	575/3/60	7.9	54	1	590	2.0	11.9	15
KMS061M8-H	T3A-Z	ZB48KCE-TF5	208-230/3/60	25.4	164	1	590	5.0	36.8	60
	T4A-Z	ZB48KCE-TFD	460/3/60	13.6	100	1	590	2.5	19.5	30
	T5A-Z	ZB48KCE-TFE	575/3/60	10.1	78	1	590	2.0	14.6	20
KMS070M8-H	T3A-Z	ZB57KCE-TF5	208-230/3/60	35.5	224	2	1180	10.0	54.4	80
	T4A-Z	ZB57KCE-TFD	460/3/60	15.2	99	2	1180	5.0	24.0	35
	T5A-Z	ZB57KCE-TFE	575/3/60	11.7	82	2	1180	4.0	18.6	30
KMS076M8-H	T3A-Z	ZB66K5E-TFC	208-230/3/60	39.3	225	2	1180	10.0	59.1	90
	T4A-Z	ZB66K5E-TFD	460/3/60	17.3	114	2	1180	5.0	26.6	40
	T5A-Z	ZB66K5E-TFE	460/3/60	14.3	80	2	1180	4.0	21.9	35
KMS085M8-H	T3A-Z	ZB76K5E-TFC	208-230/3/60	43.0	239	2	1180	10.0	63.8	100
	T4A-Z	ZB76K5E-TFD	460/3/60	20.7	125	2	1180	5.0	30.9	50
	T5A-Z	ZB76K5E-TFE	575/3/60	14.6	80	2	1180	4.0	22.3	35
KMS110M8-H	T3A-Z	ZB95K5E-TWC	208-230/3/60	52.9	298	2	1180	10.0	76.1	125
	T4A-Z	ZB95K5E-TFD	460/3/60	25.0	150	2	1180	5.0	36.3	60
	T5A-Z	ZB95K5E-TFE	575/3/60	20.8	123	2	1180	4.0	30.0	50
KMS150M8-H	T3A-Z	ZB114K5E-TWC	208-230/3/60	63.0	321	2	1180	10.0	88.8	150
	T4A-Z	ZB114K5E-TFD	460/3/60	27.9	179	2	1180	5.0	39.9	60
	T5A-Z	ZB114K5E-TWE	575/3/60	21.0	145	2	1180	4.0	30.3	50
KMS060L8-H	T3A-Z	ZF18K4E-TF5	208-230/3/60	21.8	156	1	590	5.0	32.3	50
	T4A-Z	ZF18K4E-TFD	460/3/60	8.9	75	1	590	2.5	13.6	20
	T5A-Z	ZF18K4E-TFE	575/3/60	7.9	54	1	590	2.0	11.9	15
KMS075L8-H	T3A-Z	ZF25K4E-TF5	208-230/3/60	26.7	224	1	590	5.0	38.4	60
	T4A-Z	ZF25K4E-TFD	460/3/60	11.9	99	1	590	2.5	17.4	25
	T5A-Z	ZF25K4E-TFE	575/3/60	9.1	82	1	590	2.0	13.4	20
KMS085L8-H	T3A-Z	ZF28K4E-TFC	208-230/3/60	30.4	199	1	590	5.0	43.0	70
	T4A-Z	ZF28K4E-TFD	460/3/60	14.4	121	1	590	2.5	20.5	30
	T5A-Z	ZF28K4E-TFE	575/3/60	11.4	69	1	590	2.0	16.3	25
KMS100L8-H	T3A-Z	ZF34K5E-TFC	208-230/3/60	37.1	239	1	590	5.0	51.4	80
	T4A-Z	ZF34K5E-TFD	460/3/60	17.9	125	1	590	2.5	24.9	40
	T5A-Z	ZF34K5E-TFE	575/3/60	14.3	100	1	590	2.0	19.9	30
KMS130L8-H	T3A-Z	ZF41K5E-TFC	208-230/3/60	42.1	248	2	1180	10.0	62.6	100
	T4A-Z	ZF41K5E-TFD	460/3/60	19.3	125	2	1180	5.0	29.1	45
	T5A-Z	ZF41K5E-TFE	575/3/60	15.6	100	2	1180	4.0	23.5	35
KMS150L8-H	T3A-Z	ZF49K5E-TFC	208-230/3/60	50.7	40	2	1180	10.0	73.4	120
	T4A-Z	ZF49K5E-TFD	460/3/60	20.2	139	2	1180	5.0	30.3	50
	T5A-Z	ZF49K5E-TFE	575/3/60	18.2	123	2	1180	4.0	26.8	40
KMS170L8-H	T3A-Z	ZF54K5E-TFC	208-230/3/60	58.7	423	2	1180	10.0	83.4	125
	T4A-Z	ZF54K5E-TFD	460/3/60	28.6	185	2	1180	5.0	40.8	60
	T5A-Z	ZF54K5E-TFE	575/3/60	22.9	145	2	1180	4.0	32.6	50

* = 575V units use a 230V motor with a transformer

MODEL KMD	COMPRESSOR MODEL NO.	POWER SUPPLY	COMPRESSOR		CONDENSER FAN MOTOR *			UNIT		
			RLA	LRA	QTY	WATTS	FLA	MCA	MOP	
KMD100H8-H	T3A-Z	ZB38KCE-TF5	208-230/3/60	22.1	128	2	1180	10.0	59.7	80
	T4A-Z	ZB38KCE-TFD	460/3/60	9.6	63	2	1180	5.0	26.6	35
	T5A-Z	ZB38KCE-TFE	575/3/60	7.1	50	2	1180	4.0	20.0	25
KMD120H8-H	T3A-Z	ZB45KCE-TF5	208-230/3/60	22.5	156	2	1180	10.0	60.6	80
	T4A-Z	ZB45KCE-TFD	460/3/60	11.5	75	2	1180	5.0	30.9	40
	T5A-Z	ZB45KCE-TFE	575/3/60	7.9	54	2	1180	4.0	21.8	25
KMD121H8-H	T3A-Z	ZB48KCE-TF5	208-230/3/60	25.4	164	2	1180	10.0	67.2	90
	T4A-Z	ZB48KCE-TFD	460/3/60	13.6	100	2	1180	5.0	35.6	45
	T5A-Z	ZB48KCE-TFE	575/3/60	10.1	78	2	1180	4.0	26.7	35
KMD140H8-H	T3A-Z	ZB57KCE-TF5	208-230/3/60	35.5	224	4	2360	20.0	99.9	125
	T4A-Z	ZB57KCE-TFD	460/3/60	15.2	99	4	2360	10.0	44.2	55
	T5A-Z	ZB57KCE-TFE	575/3/60	11.7	82	4	2360	8.0	34.3	45
KMD151H8-H	T3A-Z	ZB66K5E-TFC	208-230/3/60	39.3	225	4	2360	20.0	108.4	125
	T4A-Z	ZB66K5E-TFD	460/3/60	17.3	114	4	2360	10.0	48.9	60
	T5A-Z	ZB66K5E-TFE	575/3/60	14.3	80	4	2360	8.0	40.2	50
KMD170H8-H	T3A-Z	ZB76K5E-TFC	208-230/3/60	43.0	239	4	2360	20.0	116.8	150
	T4A-Z	ZB76K5E-TFD	460/3/60	20.7	125	4	2360	10.0	56.6	70
	T5A-Z	ZB76K5E-TFE	575/3/60	14.6	80	4	2360	8.0	40.9	55
KMD220H8-H	T3A-Z	ZB95K5E-TWC	208-230/3/60	52.9	298	4	2360	20.0	139.0	175
	T4A-Z	ZB95K5E-TFD	460/3/60	25.0	150	4	2360	10.0	66.3	90
	T5A-Z	ZB95K5E-TFE	575/3/60	20.8	123	4	2360	8.0	54.8	70
KMD300H8-H	T3A-Z	ZB114K5E-TWC	208-230/3/60	63.0	321	4	2360	20.0	161.8	200
	T4A-Z	ZB114K5E-TFD	460/3/60	27.9	179	4	2360	10.0	72.8	100
	T5A-Z	ZB114K5E-TWE	575/3/60	21.0	145	4	2360	8.0	55.3	70
KMD100M8-H	T3A-Z	ZB38KCE-TF5	208-230/3/60	22.1	128	2	1180	10.0	59.7	80
	T4A-Z	ZB38KCE-TFD	460/3/60	9.6	63	2	1180	5.0	26.6	35
	T5A-Z	ZB38KCE-TFE	575/3/60	7.1	50	2	1180	4.0	20.0	25
KMD120M8-H	T3A-Z	ZB45KCE-TF5	208-230/3/60	22.5	156	2	1180	10.0	60.6	80
	T4A-Z	ZB45KCE-TFD	460/3/60	11.5	75	2	1180	5.0	30.9	40
	T5A-Z	ZB45KCE-TFE	575/3/60	7.9	54	2	1180	4.0	21.8	25
KMD121M8-H	T3A-Z	ZB48KCE-TF5	208-230/3/60	25.4	164	2	1180	10.0	67.2	90
	T4A-Z	ZB48KCE-TFD	460/3/60	13.6	100	2	1180	5.0	35.6	45
	T5A-Z	ZB48KCE-TFE	575/3/60	10.1	78	2	1180	4.0	26.7	35
KMD140M8-H	T3A-Z	ZB57KCE-TF5	208-230/3/60	35.5	224	4	2360	20.0	99.9	125
	T4A-Z	ZB57KCE-TFD	460/3/60	15.2	99	4	2360	10.0	44.2	55
	T5A-Z	ZB57KCE-TFE	575/3/60	11.7	82	4	2360	8.0	34.3	45
KMD151M8-H	T3A-Z	ZB66K5E-TFC	208-230/3/60	39.3	225	4	2360	20.0	108.4	125
	T4A-Z	ZB66K5E-TFD	460/3/60	17.3	114	4	2360	10.0	48.9	60
	T5A-Z	ZB66K5E-TFE	575/3/60	14.3	80	4	2360	8.0	40.2	50
KMD170M8-H	T3A-Z	ZB76K5E-TFC	208-230/3/60	43.0	239	4	2360	20.0	116.8	150
	T4A-Z	ZB76K5E-TFD	460/3/60	20.7	125	4	2360	10.0	56.6	70
	T5A-Z	ZB76K5E-TFE	575/3/60	14.6	80	4	2360	8.0	40.9	55
KMD220M8-H	T3A-Z	ZB95K5E-TWC	208-230/3/60	52.9	298	4	2360	20.0	139.0	175
	T4A-Z	ZB95K5E-TFD	460/3/60	25.0	150	4	2360	10.0	66.3	90
	T5A-Z	ZB95K5E-TFE	575/3/60	20.8	123	4	2360	8.0	54.8	70
KMD300M8-H	T3A-Z	ZB114K5E-TWC	208-230/3/60	63.0	321	4	2360	20.0	161.8	200
	T4A-Z	ZB114K5E-TFD	460/3/60	27.9	179	4	2360	10.0	72.8	100
	T5A-Z	ZB114K5E-TWE	575/3/60	21.0	145	4	2360	8.0	55.3	70
KMD120L8-H	T3A-Z	ZF18K4E-TF5	208-230/3/60	21.8	156	2	1180	10.0	59.1	80
	T4A-Z	ZF18K4E-TFD	460/3/60	8.9	75	2	1180	5.0	25.0	30
	T5A-Z	ZF18K4E-TFE	575/3/60	7.9	54	2	1180	4.0	21.8	25
KMD150L8-H	T3A-Z	ZF25K4E-TF5	208-230/3/60	26.7	224	2	1180	10.0	70.1	90
	T4A-Z	ZF25K4E-TFD	460/3/60	11.9	99	2	1180	5.0	31.8	40
	T5A-Z	ZF25K4E-TFE	575/3/60	9.1	82	2	1180	4.0	24.5	30
KMD170L8-H	T3A-Z	ZF28K4E-TFC	208-230/3/60	30.4	199	2	1180	10.0	78.4	100
	T4A-Z	ZF28K4E-TFD	460/3/60	14.4	121	2	1180	5.0	37.4	50
	T5A-Z	ZF28K4E-TFE	575/3/60	11.4	69	2	1180	4.0	29.7	40
KMD200L8-H	T3A-Z	ZF34K5E-TFC	208-230/3/60	37.1	239	2	1180	10.0	93.5	125
	T4A-Z	ZF34K5E-TFD	460/3/60	17.9	125	2	1180	5.0	45.3	60
	T5A-Z	ZF34K5E-TFE	575/3/60	14.3	100	2	1180	4.0	36.2	50
KMD260L8-H	T3A-Z	ZF41K5E-TFC	208-230/3/60	42.1	248	4	2360	20.0	114.7	150
	T4A-Z	ZF41K5E-TFD	460/3/60	19.3	125	4	2360	10.0	53.4	70
	T5A-Z	ZF41K5E-TFE	575/3/60	15.6	100	4	2360	8.0	43.1	55
KMD300L8-H	T3A-Z	ZF49K5E-TFC	208-230/3/60	50.7	40	4	2360	20.0	134.1	175
	T4A-Z	ZF49K5E-TFD	460/3/60	20.2	139	4	2360	10.0	55.5	70
	T5A-Z	ZF49K5E-TFE	575/3/60	18.2	123	4	2360	8.0	49.0	60
KMD340L8-H	T3A-Z	ZF54K5E-TFC	208-230/3/60	58.7	423	4	2360	20.0	152.1	200
	T4A-Z	ZF54K5E-TFD	460/3/60	28.6	185	4	2360	10.0	74.4	100
	T5A-Z	ZF54K5E-TFE	575/3/60	22.9	145	4	2360	8.0	59.5	80

* = 575V units use a 230V motor with a transformer

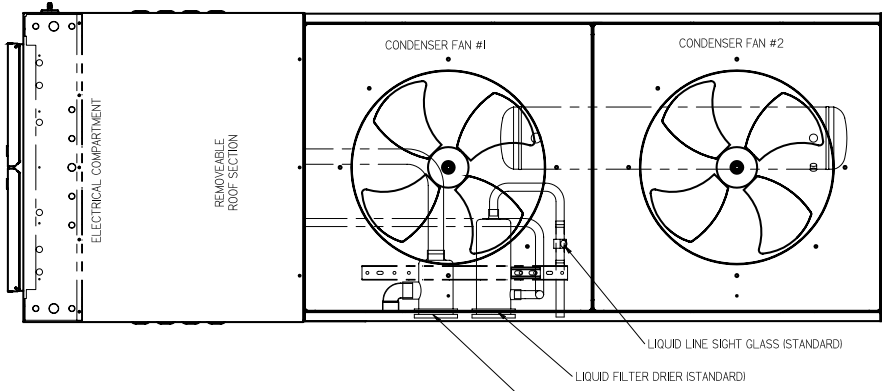
**COMPRESSOR
END VIEW**



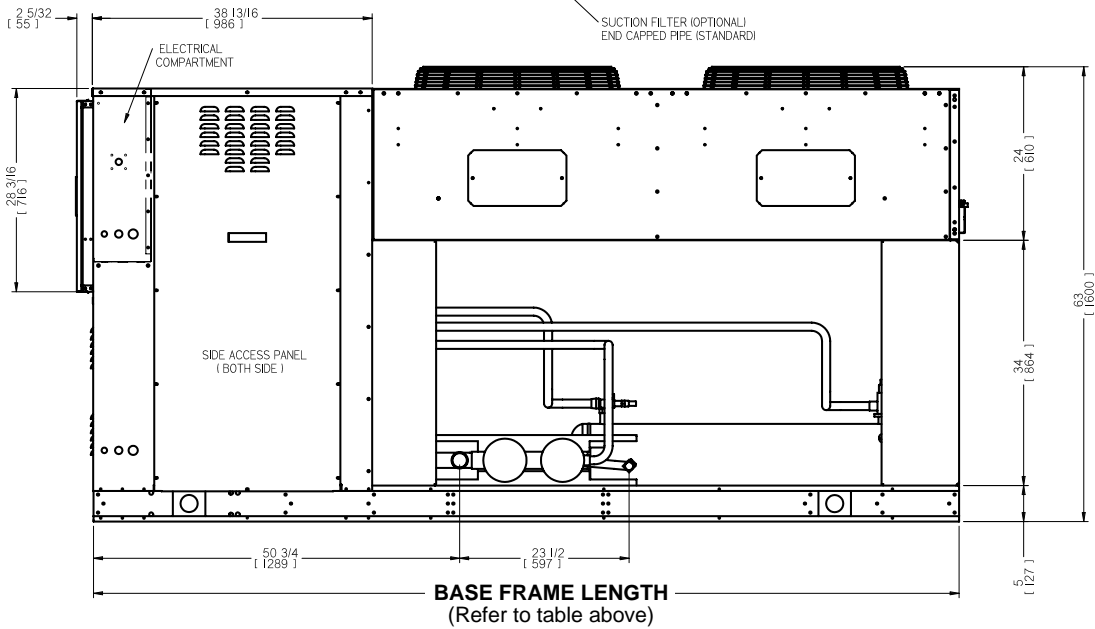
MODEL KMS	LENGTH		WIDTH		HEIGHT	
	Inches	mm	Inches	mm	Inches	mm
KMS050H8-HT*A-Z	80	2032	42 5/8	1083	63	1600
KMS060H8-HT*A-Z	80	2032	42 5/8	1083	63	1600
KMS061H8-HT*A-Z	80	2032	42 5/8	1083	63	1600
KMS070H8-HT*A-Z	120	3048	42 5/8	1083	63	1600
KMS076H8-HT*A-Z	120	3048	42 5/8	1083	63	1600
KMS085H8-HT*A-Z	120	3048	42 5/8	1083	63	1600
KMS110H8-HT*A-Z	120	3048	42 5/8	1083	63	1600
KMS150H8-HT*A-Z	120	2032	42 5/8	1083	63	1600
KMS050M8-HT*A-Z	80	2032	42 5/8	1083	63	1600
KMS060M8-HT*A-Z	80	2032	42 5/8	1083	63	1600
KMS061M8-HT*A-Z	80	2032	42 5/8	1083	63	1600
KMS070M8-HT*A-Z	120	3048	42 5/8	1083	63	1600
KMS076M8-HT*A-Z	120	3048	42 5/8	1083	63	1600
KMS085M8-HT*A-Z	120	3048	42 5/8	1083	63	1600
KMS110M8-HT*A-Z	120	3048	42 5/8	1083	63	1600
KMS150M8-HT*A-Z	120	2032	42 5/8	1083	63	1600
KMS060L8-HT*A-Z	80	2032	42 5/8	1083	63	1600
KMS075L8-HT*A-Z	80	2032	42 5/8	1083	63	1600
KMS085L8-HT*A-Z	80	2032	42 5/8	1083	63	1600
KMS100L8-HT*A-Z	80	2032	42 5/8	1083	63	1600
KMS130L8-HT*A-Z	120	3048	42 5/8	1083	63	1600
KMS150L8-HT*A-Z	120	3048	42 5/8	1083	63	1600
KMS170L8-HT*A-Z	120	3048	42 5/8	1083	63	1600

* = insert voltage code (see Nomenclature)

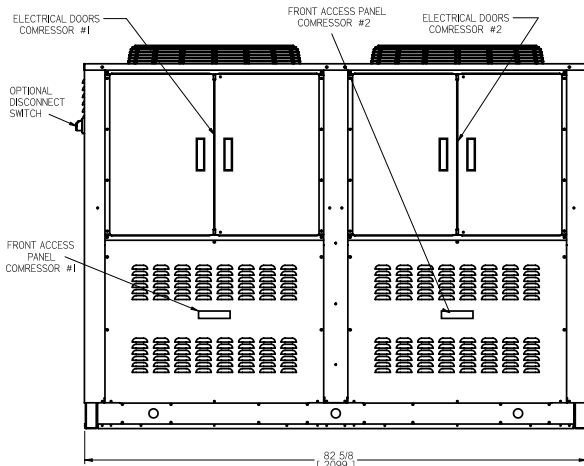
TOP VIEW



SIDE VIEW

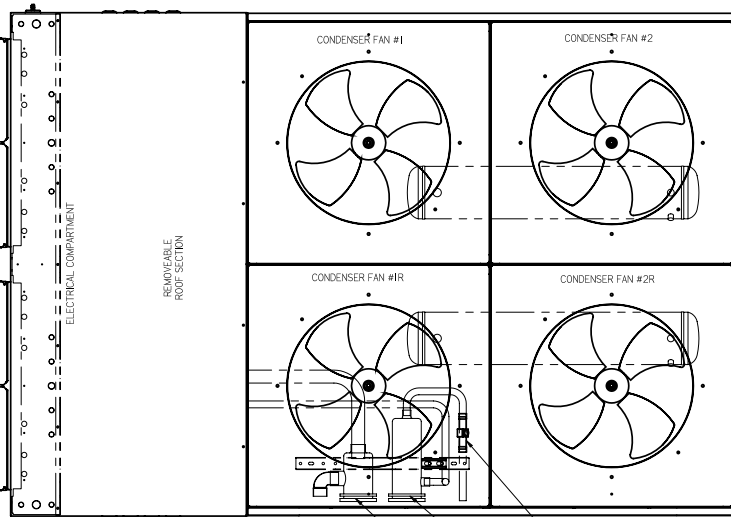


**COMPRESSOR
END VIEW**

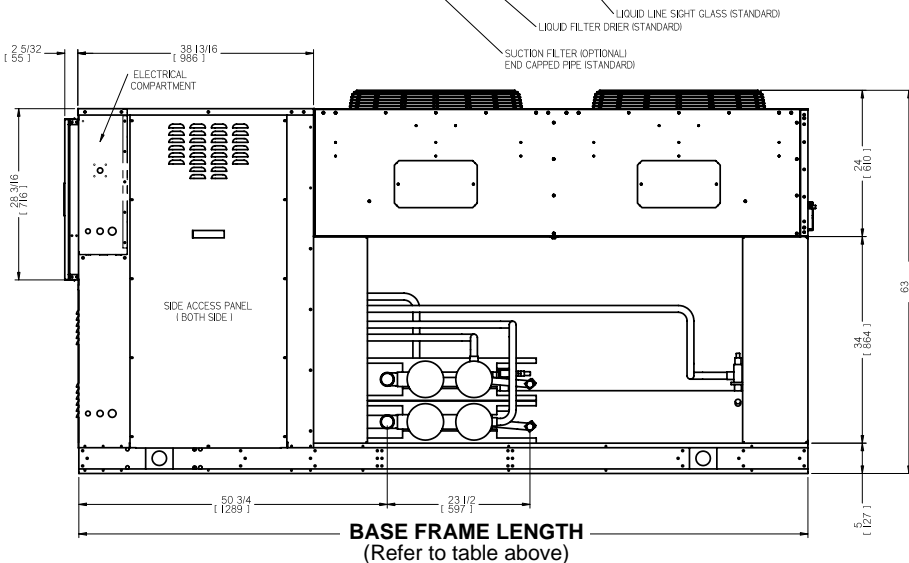


MODEL KMS	LENGTH		WIDTH		HEIGHT	
	Inches	mm	Inches	mm	Inches	mm
KMD100H8-HT*A-Z	80	2032	82 5/8	2099	63	1600
KMD120H8-HT*A-Z	80	2032	82 5/8	2099	63	1600
KMD121H8-HT*A-Z	80	2032	82 5/8	2099	63	1600
KMD140H8-HT*A-Z	120	3048	82 5/8	2099	63	1600
KMD151H8-HT*A-Z	120	3048	82 5/8	2099	63	1600
KMD170H8-HT*A-Z	120	3048	82 5/8	2099	63	1600
KMD220H8-HT*A-Z	120	3048	82 5/8	2099	63	1600
KMD300H8-HT*A-Z	120	3048	82 5/8	2099	63	1600
KMD100M8-HT*A-Z	80	2032	82 5/8	2099	63	1600
KMD120M8-HT*A-Z	80	2032	82 5/8	2099	63	1600
KMD121M8-HT*A-Z	80	2032	82 5/8	2099	63	1600
KMD140M8-HT*A-Z	120	3048	82 5/8	2099	63	1600
KMD151M8-HT*A-Z	120	3048	82 5/8	2099	63	1600
KMD170M8-HT*A-Z	120	3048	82 5/8	2099	63	1600
KMD220M8-HT*A-Z	120	3048	82 5/8	2099	63	1600
KMD300M8-HT*A-Z	120	3048	82 5/8	2099	63	1600
KMD120L8-HT*A-Z	80	2032	42 5/8	1083	63	1600
KMD150L8-HT*A-Z	80	3048	42 5/8	1083	63	1600
KMD170L8-HT*A-Z	80	3048	42 5/8	1083	63	1600
KMD200L8-HT*A-Z	80	3048	42 5/8	1083	63	1600
KMD260L8-HT*A-Z	120	3048	42 5/8	1083	63	1600
KMD300L8-HT*A-Z	120	3048	42 5/8	1083	63	1600
KMD340L8-HT*A-Z	120	3048	82 5/8	2099	63	1600

* = insert voltage code (see Nomenclature)



TOP VIEW



SIDE VIEW

SPECIFICATIONS
SINGLE COMPRESSOR MODELS

MODEL KMS	CONDENSER FANS	UNIT CONNECTIONS				R404A RECEIVER CAPACITY 90% FULL *		APPROX. SHIPPING WEIGHT	
		SUCTION (OD)		LIQUID (OD)		Lbs.	Kgs	Lbs.	Kgs
		Inches	mm	Inches	mm				
KMS050H8-HT*A-Z	1	1 1/8	29	5/8	16	50	22.7	930	422
KMS060H8-HT*A-Z	1	1 1/8	29	5/8	16	50	22.7	945	429
KMS061H8-HT*A-Z	1	1 1/8	29	5/8	16	60	27.2	955	434
KMS070H8-HT*A-Z	2	1 3/8	35	5/8	16	60	27.2	1220	554
KMS076H8-HT*A-Z	2	1 3/8	35	7/8	22	70	31.8	1280	581
KMS085H8-HT*A-Z	2	1 3/8	35	7/8	22	82	37.2	1325	602
KMS110H8-HT*A-Z	2	1 5/8	41	7/8	22	103	46.8	1465	665
KMS150H8-HT*A-Z	2	1 5/8	41	7/8	22	103	46.8	1490	676
KMS050M8-HT*A-Z	1	1 1/8	29	5/8	16	50	22.7	930	422
KMS060M8-HT*A-Z	1	1 1/8	29	5/8	16	50	22.7	945	429
KMS061M8-HT*A-Z	1	1 1/8	29	5/8	16	60	27.2	955	434
KMS070M8-HT*A-Z	2	1 3/8	35	7/8	22	60	27.2	1215	552
KMS076M8-HT*A-Z	2	1 3/8	35	7/8	22	70	31.8	1280	581
KMS085M8-HT*A-Z	2	1 3/8	35	7/8	22	82	37.2	1325	602
KMS110M8-HT*A-Z	2	1 5/8	41	7/8	22	103	46.8	1465	665
KMS150M8-HT*A-Z	2	1 5/8	41	7/8	22	103	46.8	1480	672
KMS060L8-HT*A-Z	1	1 1/8	29	1/2	13	50	22.7	955	434
KMS075L8-HT*A-Z	1	1 3/8	35	5/8	16	50	22.7	970	440
KMS085L8-HT*A-Z	1	1 3/8	35	5/8	16	50	22.7	985	447
KMS100L8-HT*A-Z	1	1 3/8	35	5/8	16	50	22.7	1035	470
KMS130L8-HT*A-Z	2	1 5/8	41	5/8	16	60	27.2	1325	602
KMS150L8-HT*A-Z	2	1 5/8	41	5/8	16	70	31.8	1340	608
KMS170L8-HT*A-Z	2	1 5/8	41	7/8	22	82	37.2	1440	654

* = insert voltage code (see Nomenclature)

SPECIFICATIONS
DUAL COMPRESSOR MODELS

MODEL KMD	CONDENSER FANS	UNIT CONNECTIONS				R404A RECEIVER CAPACITY 90% FULL *		APPROX. SHIPPING WEIGHT	
		SUCTION (OD)		LIQUID (OD)		Lbs.	Kgs	Lbs.	Kgs
		Inches	mm	Inches	mm				
KMD100H8-HT*A-Z	2	1 1/8	29	5/8	16	50	22.7	1690	767
KMD120H8-HT*A-Z	2	1 1/8	29	5/8	16	50	22.7	1720	781
KMD121H8-HT*A-Z	2	1 1/8	29	5/8	16	60	27.2	1740	790
KMD140H8-HT*A-Z	4	1 3/8	35	5/8	16	60	27.2	2175	987
KMD151H8-HT*A-Z	4	1 3/8	35	7/8	22	70	31.8	2290	1040
KMD170H8-HT*A-Z	4	1 3/8	35	7/8	22	82	37.2	2375	1078
KMD220H8-HT*A-Z	4	1 5/8	41	7/8	22	103	46.8	2655	1205
KMD300H8-HT*A-Z	4	1 5/8	41	7/8	22	103	46.8	2700	1226
KMD100M8-HT*A-Z	2	1 1/8	29	5/8	16	50	22.7	1690	767
KMD120M8-HT*A-Z	2	1 1/8	29	5/8	16	50	22.7	1720	781
KMD121M8-HT*A-Z	2	1 1/8	29	5/8	16	60	27.2	1740	790
KMD140M8-HT*A-Z	4	1 3/8	35	7/8	22	60	27.2	2170	985
KMD151M8-HT*A-Z	4	1 3/8	35	7/8	22	70	31.8	2290	1040
KMD170M8-HT*A-Z	4	1 3/8	35	7/8	22	82	37.2	2375	1078
KMD220M8-HT*A-Z	4	1 5/8	41	7/8	22	103	46.8	2655	1205
KMD300M8-HT*A-Z	4	1 5/8	41	7/8	22	103	46.8	2680	1217
KMD120L8-HT*A-Z	2	1 1/8	29	1/2	13	50	22.7	1745	792
KMD150L8-HT*A-Z	2	1 3/8	35	5/8	16	50	22.7	1765	801
KMD170L8-HT*A-Z	2	1 3/8	35	5/8	16	50	22.7	1795	815
KMD200L8-HT*A-Z	2	1 3/8	35	5/8	16	50	22.7	1895	860
KMD260L8-HT*A-Z	4	1 5/8	41	5/8	16	60	27.2	2375	1078
KMD300L8-HT*A-Z	4	1 5/8	41	5/8	16	70	31.8	2405	1092
KMD340L8-HT*A-Z	4	1 5/8	41	7/8	22	82	37.2	2600	1180

* = insert voltage code (see Nomenclature)

* **NOTE ON ALTERNATE REFRIGERANTS:** PUBLISHED RECEIVER CAPACITY IS BASED ON **R404A** ON MODELS USING "8" AS REFRIGERANT CODE. FOR ALTERNATE REFRIGERANTS, MULTIPLY **R404A** VALUE BY THE APPROPRIATE VALUE AT RIGHT:

R407A	R407C	R448A R449A	R507
1.10	1.10	1.05	1.00

Annual Walk-In Energy Factor Ratings - High/Medium Temperature

If a numerical value is listed in the tables below, the following statement applies to that corresponding model:
"This refrigeration system is designed and certified for use in walk-in cooler applications."

Base Unit Model	Outdoor Models				
	R404A	R507	R407A	R448A R449A	R407C
KMS050H8-Z	7.6		7.6	7.6	-
KMS060H8-Z	7.6		7.6	7.6	7.6
KMS061H8-Z	7.6		7.6	7.6	7.6
KMS070H8-Z	7.6		7.6	7.6	-
KMS076H8-Z	7.6		7.6	7.6	7.6
KMS085H8-Z	7.6		7.6	7.6	7.6
KMS110H8-Z	7.6		7.6	7.6	7.6
KMS150H8-Z	7.6		7.6	7.6	7.6
KMD100H8-Z	7.6		7.6	7.6	-
KMD120H8-Z	7.6		7.6	7.6	7.6
KMD121H8-Z	7.6		7.6	7.6	7.6
KMD140H8-Z	7.6		7.6	7.6	-
KMD151H8-Z	7.6		7.6	7.6	7.6
KMD170H8-Z	7.6		7.6	7.6	7.6
KMD220H8-Z	7.6		7.6	7.6	7.6
KMD300H8-Z	7.6		7.6	7.6	7.6

— = Non-compliant model

Base Unit Model	Outdoor Models				
	R404A	R507	R407A	R448A R449A	R407C
KMS050M8-Z	7.6		7.6	7.6	7.6
KMS060M8-Z	7.6		7.6	7.6	7.6
KMS061M8-Z	7.6		7.6	7.6	7.6
KMS070M8-Z	7.6		7.6	7.6	7.6
KMS076M8-Z	7.6		7.6	7.6	7.6
KMS085M8-Z	7.6		7.6	7.6	7.6
KMS110M8-Z	7.6		7.6	7.6	7.6
KMS150M8-Z	7.6		7.6	7.6	7.6
KMD100M8-Z	7.6		7.6	7.6	7.6
KMD120M8-Z	7.6		7.6	7.6	7.6
KMD121M8-Z	7.6		7.6	7.6	7.6
KMD140M8-Z	7.6		7.6	7.6	7.6
KMD151M8-Z	7.6		7.6	7.6	7.6
KMD170M8-Z	7.6		7.6	7.6	7.6
KMD220M8-Z	7.6		7.6	7.6	7.6
KMD300M8-Z	7.6		7.6	7.6	7.6

— = Non-compliant model

Annual Walk-In Energy Factor Ratings - Low Temperature

If a numerical value is listed in the table below, the following statement applies to that corresponding model:
" This refrigeration system is designed and certified for use in walk-in freezer applications."

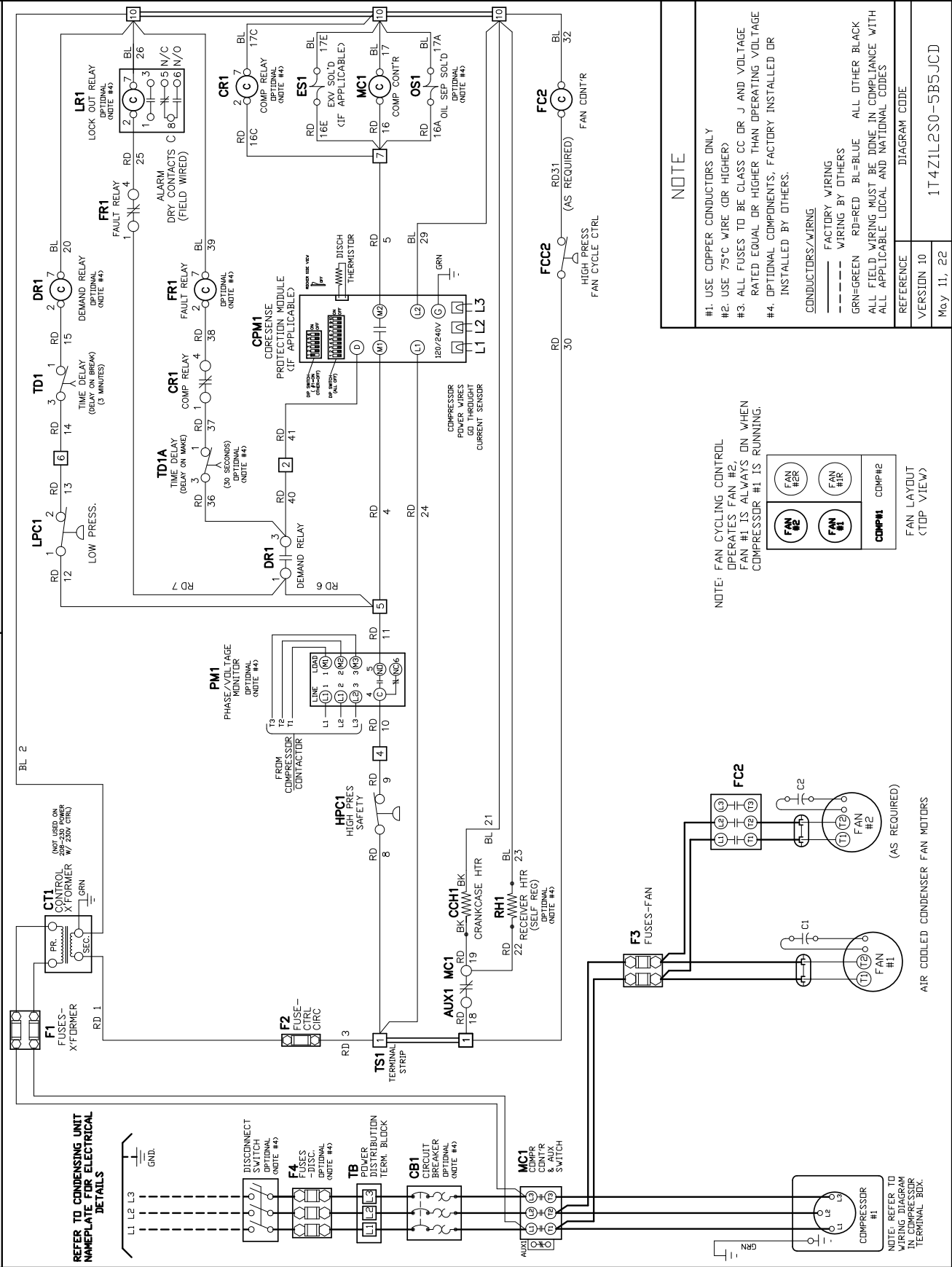
Base Unit Model	Outdoor Models				
	R404A	R507	R407A	R448A R449A	R407C
KMS060L8-Z	3.15		3.15	3.15	-
KMS075L8-Z	3.15		3.15	3.15	-
KMS085L8-Z	3.15		3.15	3.15	-
KMS100L8-Z	3.15		3.15	3.15	-
KMS130L8-Z	3.15		3.15	3.15	-
KMS150L8-Z	3.15		3.15	3.15	-
KMS170L8-Z	3.15		3.15	3.15	-
KMD120L8-Z	3.15		3.15	3.15	-
KMD150L8-Z	3.15		3.15	3.15	-
KMD170L8-Z	3.15		3.15	3.15	-
KMD200L8-Z	3.15		3.15	3.15	-
KMD260L8-Z	3.15		3.15	3.15	-
KMD300L8-Z	3.15		3.15	3.15	-
KMD340L8-Z	3.15		3.15	3.15	-

— = Non-compliant model

CONDENSING UNIT WIRING DIAGRAM - COMPRESSOR #1

CONDENSING UNIT WIRING DIAGRAM: COMPRESSOR #1

- 208-230/3/60, 460/3/60, 575/3/60 POWER SUPPLY
- 230V or 120V CONTROL CIRCUIT



REFER TO CONDENSING UNIT NAMEPLATE FOR ELECTRICAL DETAILS

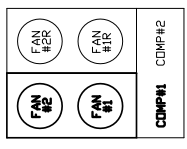
NOTE

#1. USE COPPER CONDUCTORS ONLY
 #2. USE 75°C WIRE (OR HIGHER)
 #3. ALL FUSES TO BE CLASS CC OR J AND VOLTAGE RATED EQUAL OR HIGHER THAN OPERATING VOLTAGE
 #4. OPTIONAL COMPONENTS, FACTORY INSTALLED OR INSTALLED BY OTHERS.

CONDUCTORS/WIRING
 --- FACTORY WIRING
 - - - WIRING BY OTHERS
 GRN=GREEN RD=RED BL=BLUE ALL OTHER BLACK
 ALL FIELD WIRING MUST BE DONE IN COMPLIANCE WITH ALL APPLICABLE LOCAL AND NATIONAL CODES

REFERENCE	DIAGRAM CODE
VERSION 10	1T4Z1L2S0-5B5JCD
MoY 11, 22	

NOTE: FAN CYCLING CONTROL OPERATES FAN #2. FAN #1 IS ALWAYS ON WHEN COMPRESSOR #1 IS RUNNING.



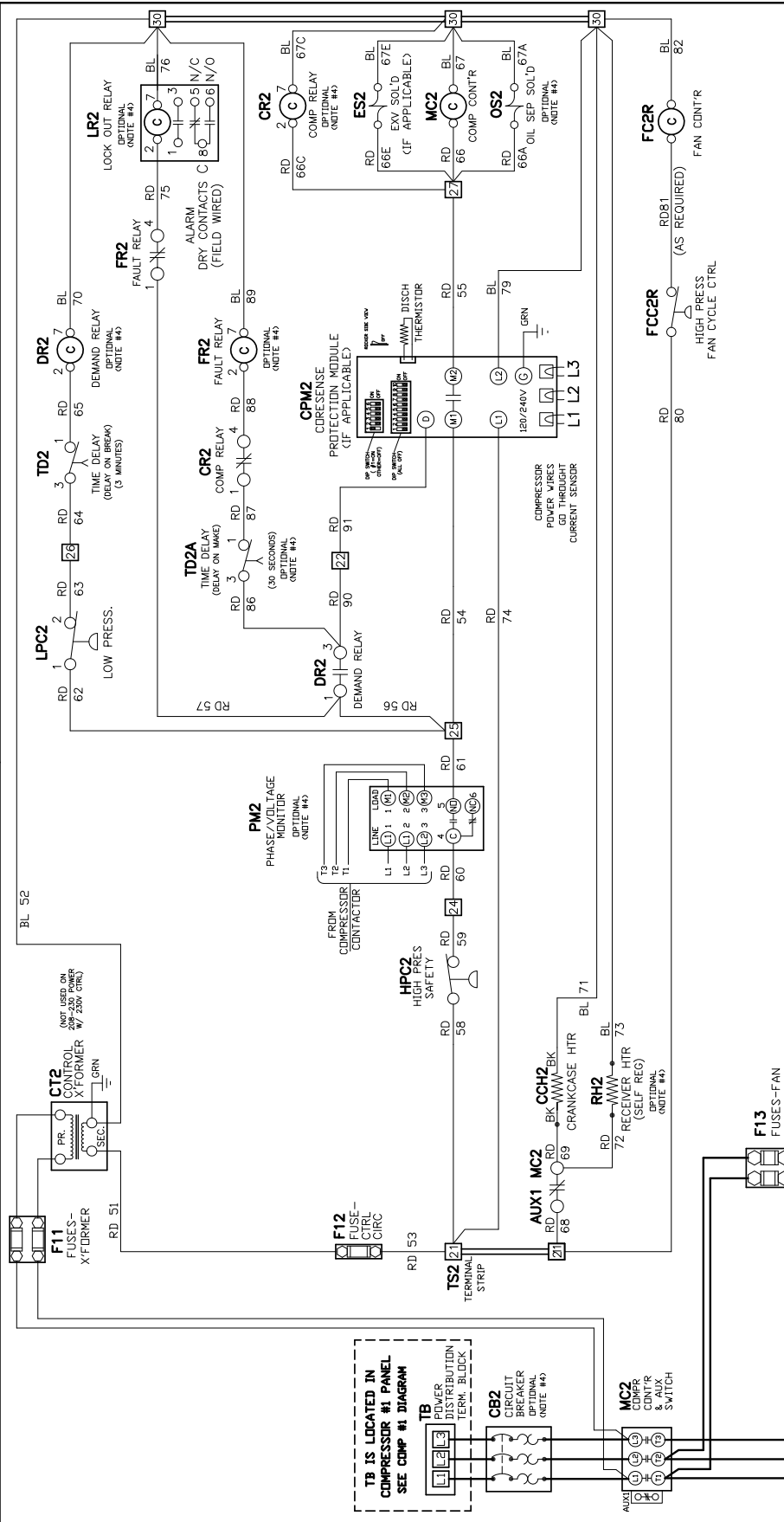
FAN LAYOUT (TOP VIEW)

AIR COOLED CONDENSER FAN MOTORS (AS REQUIRED)

NOTE: REFER TO WIRING DIAGRAM IN COMPRESSOR TERMINAL BOX.

— 208-230/3/60, 460/3/60, 575/3/60 POWER SUPPLY
— 230V or 120V CONTROL CIRCUIT

CONDENSING UNIT WIRING DIAGRAM: COMPRESSOR #2



NOTE

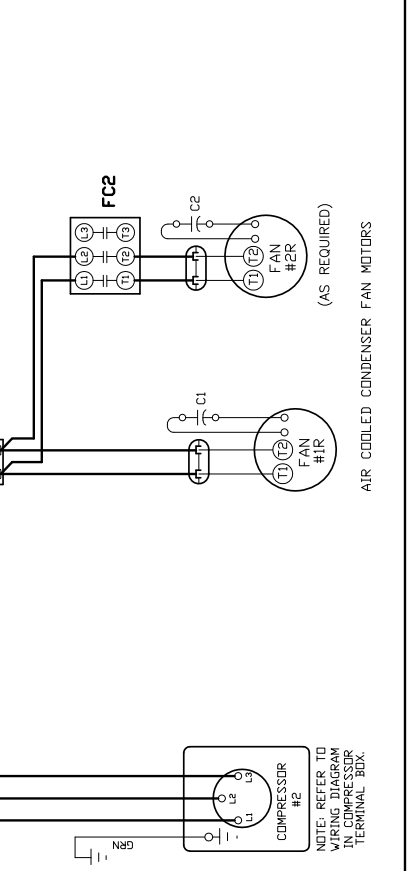
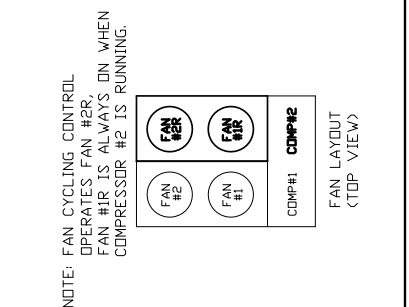
- #1. USE COPPER CONDUCTORS ONLY
- #2. USE 75°C WIRE (OR HIGHER)
- #3. ALL FUSES TO BE CLASS CC DR J AND VOLTAGE RATED EQUAL OR HIGHER THAN OPERATING VOLTAGE INSTALLED BY OTHERS.

CONDUCTORS/WIRING

FACTORY WIRING
WIRING BY OTHERS

GRN=GREEN RD=RED BL=BLUE ALL OTHER BLACK
ALL FIELD WIRING MUST BE DONE IN COMPLIANCE WITH ALL APPLICABLE LOCAL AND NATIONAL CODES

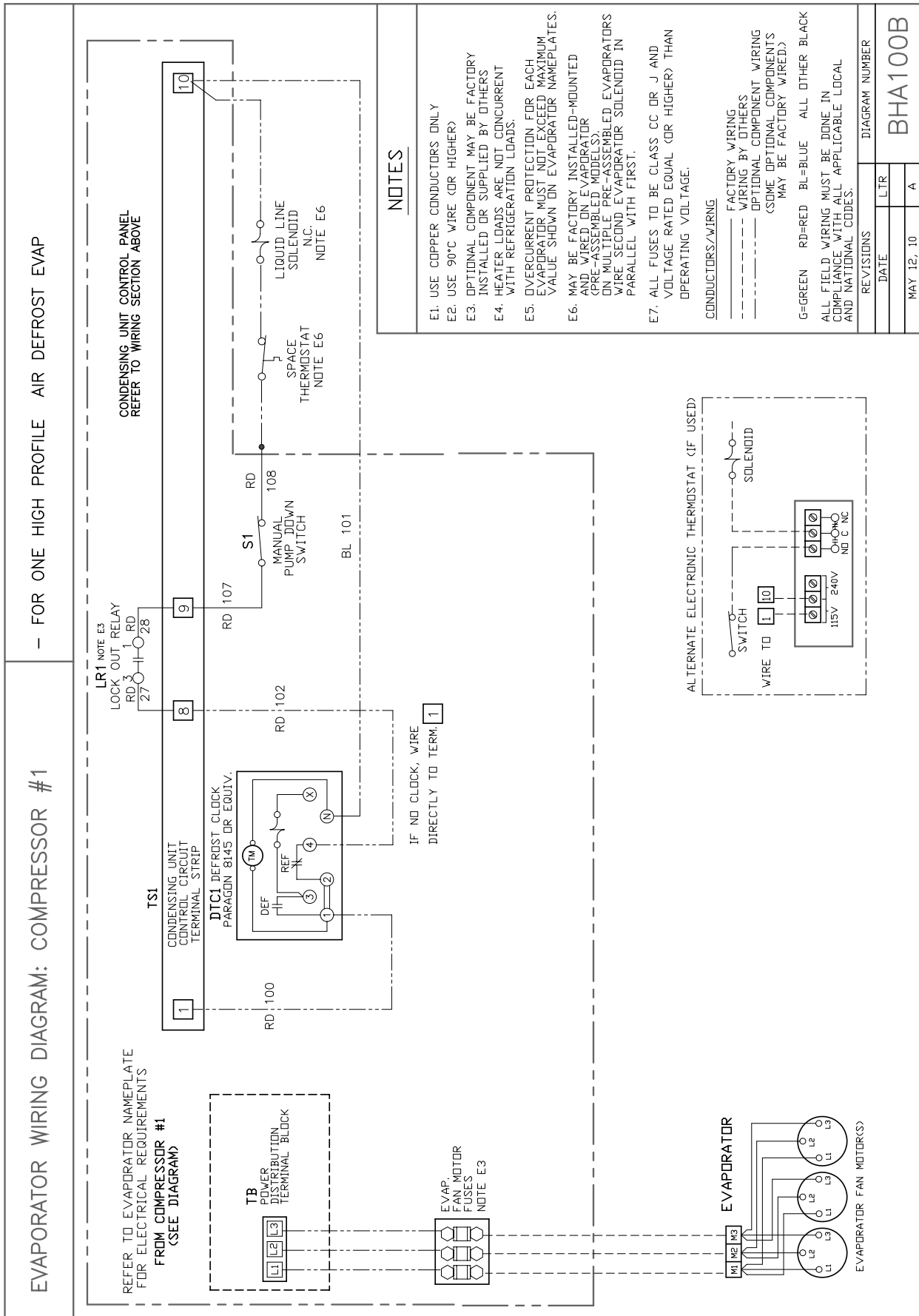
REFERENCE	DIAGRAM CODE
VERSION 10	
May 11, 22	

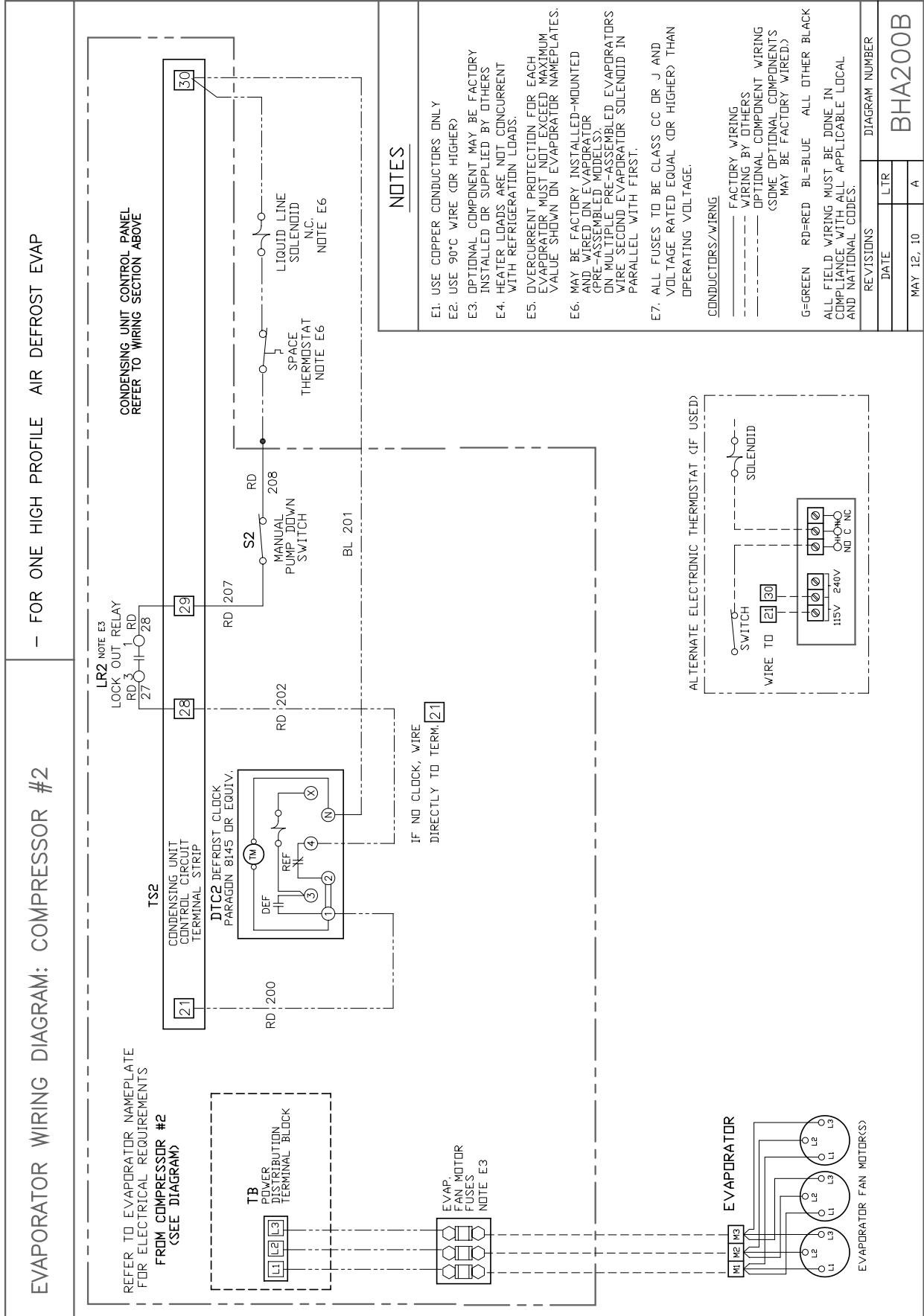


TB IS LOCATED IN COMPRESSOR #1 PANEL SEE COMP #1 DIAGRAM

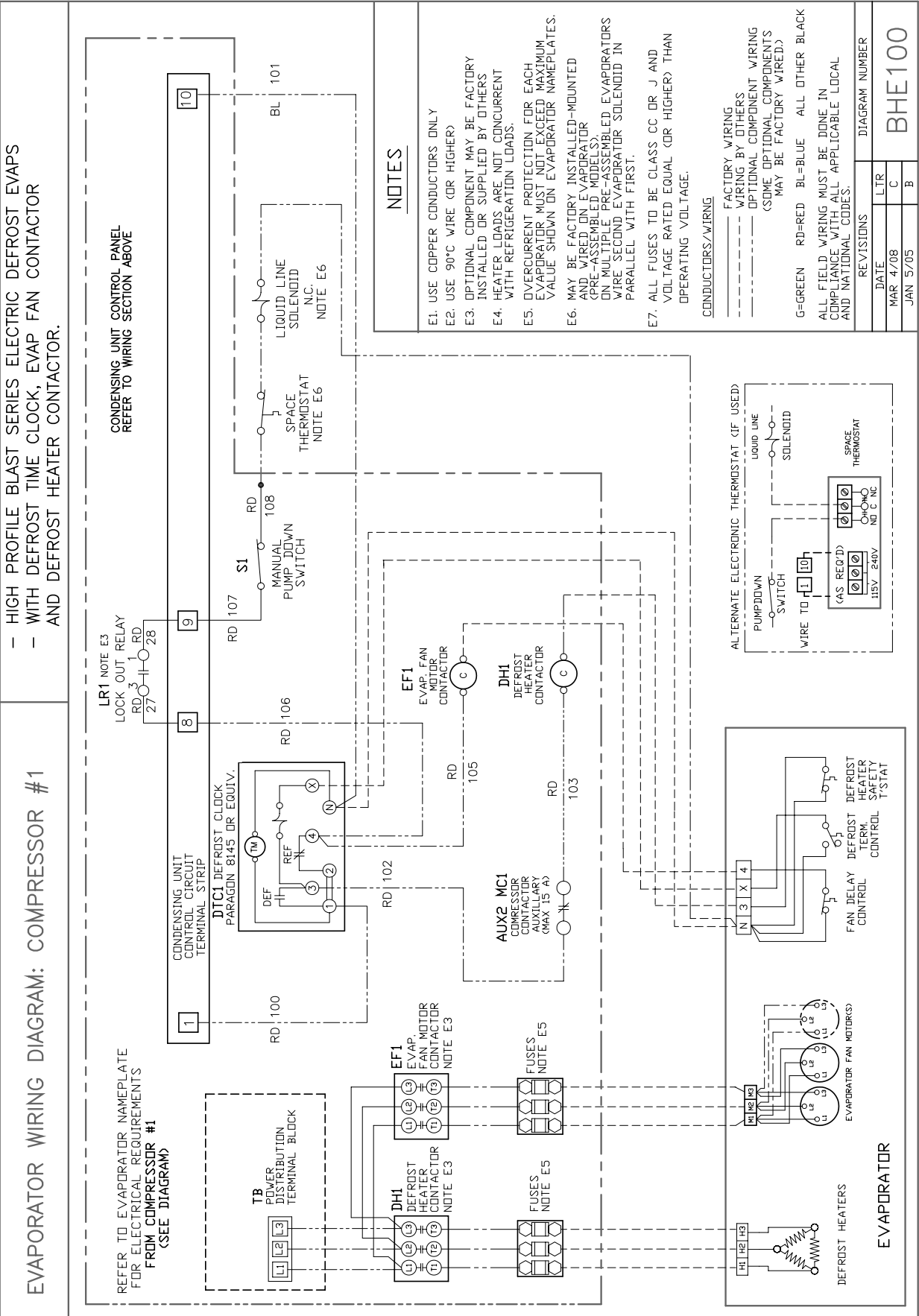
NOTE: REFER TO WIRING DIAGRAM IN COMPRESSOR #1 TERMINAL BOX.

AIR DEFROST EVAPORATOR WIRING DIAGRAM - COMPRESSOR #1

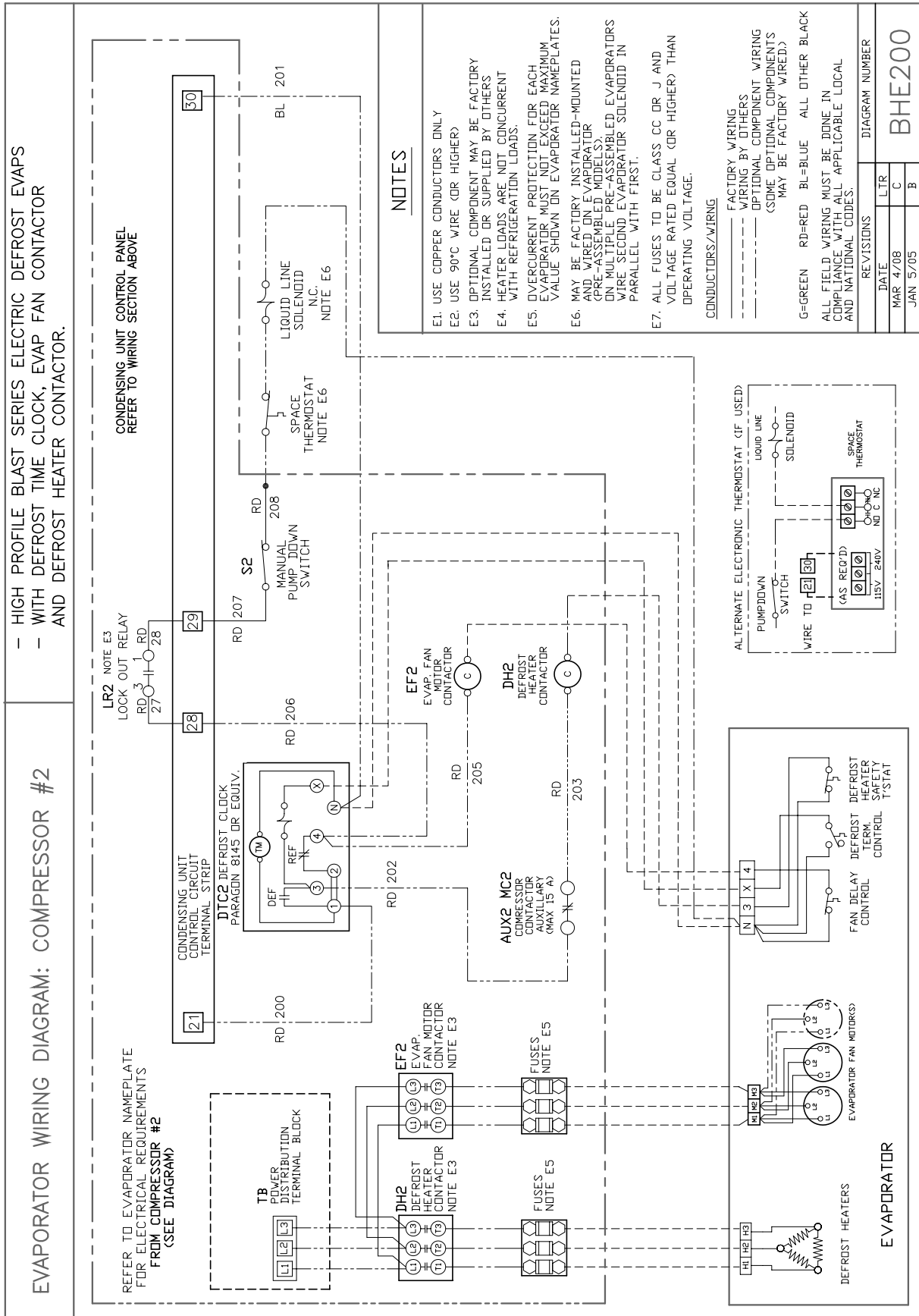




ELECTRIC DEFROST EVAPORATOR WIRING DIAGRAM - COMPRESSOR #1



ELECTRIC DEFROST EVAPORATOR WIRING DIAGRAM - COMPRESSOR #2



System	
Model Number	Date of Start-Up
Serial Number	Service Contractor
Refrigerant	Phone
Electrical Supply	E-mail

 <p>PRODUCT SUPPORT</p>	<p><i>web: www.k-rp.com/km</i> <i>email: mdcu-lgcu@k-rp.com</i> <i>call: 1-844-893-3222 x522</i></p>
 <p>TROUBLESHOOTING</p>	<p><i>email: troubleshooting@k-rp.com</i> <i>call: 1-844-893-3222 x529</i></p>
 <p>SERVICE PARTS</p>	<p><i>web: www.k-rp.com/parts</i> <i>email: parts@k-rp.com</i> <i>call: 1-844-893-3222 x504</i></p>
 <p>WARRANTY</p>	<p><i>web: www.k-rp.com/warranty</i> <i>email: warranty@k-rp.com</i> <i>call: 1-844-893-3222 x507</i></p>
 <p>ORDERS</p>	<p><i>email: orders@k-rp.com</i> <i>call: 1-844-893-3222 x501</i></p>
 <p>SHIPPING</p>	<p><i>email: shipping@k-rp.com</i> <i>call: 1-844-893-3222 x503</i></p>



KeepRite Refrigeration
Brantford, ON • Longview, TX
1-800-463-9517 info@k-rp.com www.k-rp.com

