



KX **“C”** Generation Condensing Units

PRODUCT DATA & SPECIFICATIONS

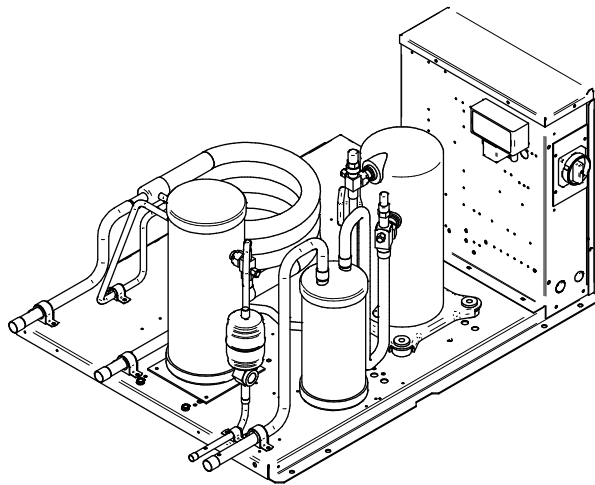
Bulletin K40-KXC-PDS-5
Part # 1107224

60
Hz

**Indoor Water Cooled Coaxial
Hermetic, and Scroll
Condensing Units**

**1/2 to 6 HP -
High, Medium and Low
Temperature Refrigeration**

	PRODUCT SUPPORT	scan:
	web: www.k-rp.com/kx	
	email: rcu-wccu@k-rp.com	
	call: 1-844-893-3222 x523	



CONTENTS

	Page
Nomenclature.....	2
Features and Options.....	2
Capacity Data (Imperial and <i>Metric</i>).....	3 - 11
Electrical Data.....	12 - 13
Dimensional Data.....	14 - 15
Specifications.....	16
Wiring Diagrams.....	17 - 19
Product Support Resources.....	BACK

NOMENCLATURE

K X H A 030 L 6 - I T3 C

Product Family

Coaxial Water Cooled Condensing Unit

Compressor Type

H = Hermetic
Z = Scroll

Compressor Manufacturer

A = Copeland

Nominal Horsepower *

006 - 060 = ½ to 6 HP

Application Range

L = Low Temperature
M = Medium Temperature
H = High/Medium Temperature

Series

C = Latest Catalog Series

Unit Electrical Designation*

S2 = 208/230/1/60	S6 = 200-220/1/50
S3 = 230/1/60	S7 = 200/1/50
T3 = 208-230/3/60	T7 = 200-220/3/50
T4 = 460/3/60	T9 = 380-400/3/50
T5 = 575/3/60	

* Subject to compressor availability

Enclosure

I = Indoor

Refrigerant

6 = R404A / R507
8 = R407A / R407C / R448A / R404A / R22

STANDARD FEATURES

- Painted electrical control box with compressor contactor and fused control circuit
- Pre-formed piping
- Brass valves (KXH, KXZ)
- Base valve on suction line (KXH)
- Suction service valve (KXZ)
- Copper tubing secured with cushion clamps
- Hermetics/scrolls rubber mounted (KXH, KXZ)
- Co-Axial condenser
- Receiver with fusible plug and liquid shut off valve
- Adjustable dual high / low pressure control with flex hoses
- Each unit subjected to a thorough leak test with Helium leak-detectors
- Units are shipped with Helium holding charge
- Liquid injection (Low temperature scroll only) (KXZ)
- Water reg valve (shipped loose)

AVAILABLE OPTIONS

- Suction accumulator
- Suction accumulator with boil-out coil
- Discharge line check valve
- Oil separator
- Oil separator c/w oil return filter & solenoid valve
- Receiver inlet ball valve
- Over-sized receiver
- Sealed liquid line filter drier & sight glass
- Ball valve – liquid line (shipped loose)
- Insulated suction lines
- Liquid line solenoid valve (with standard 230 volt coil) – shipped loose
- Compressor circuit breaker
- Defrost heater contactor c/w fuse block
- Evaporator fan contactor c/w fuse block
- Disconnect switch
- Disconnect fusing
- Pump down toggle switch
- Lock out control circuit – Liquid solenoid valve with separate HP and LP controls
- Time delay relay for compressor
- Mechanical time clock
- Electronic voltage/phase monitor

CAPACITY DATA - R448A R449A
MEDIUM TEMPERATURE

Capacity Rating Conditions: Entering Water = 85°F (29.4°C), Condensing = 110°F (43.3°C), Subcooling = 0°F (0°C)

MODEL KXHA		SATURATED SUCTION TEMPERATURE °F (°C)									
		-10 (-23.3)	-5 (-20.6)	0 (-17.8)	5 (-15)	10 (-12.2)	15 (-9.4)	20 (-6.7)	25 (-3.9)		
KXHA006M8 Compressor: RST45C1E	BTU/H (Watts)	2260 (660)	2610 (760)	3010 (880)	3460 (1010)	3980 (1170)	4560 (1340)	5210 (1530)	5950 (1740)		
	GPM (L/min)	1.0 (3.8)	1.0 (3.6)	1.0 (3.6)	1.0 (3.8)	1.1 (4.2)	1.3 (5)	1.6 (6.2)	2.1 (8)		
	PSIG (kPa)	0.6 (4.4)	0.6 (4.1)	0.6 (4.1)	0.6 (4.4)	0.7 (5.1)	1.0 (6.7)	1.4 (9.4)	2.1 (14.2)		
KXHA008M8 Compressor: RST55C1E	BTU/H (Watts)	2730 (800)	3170 (930)	3660 (1070)	4220 (1240)	4850 (1420)	5560 (1630)	6350 (1860)	7250 (2120)		
	GPM (L/min)	0.6 (2.1)	0.6 (2.2)	0.6 (2.3)	0.7 (2.6)	0.8 (3)	1.0 (3.6)	1.2 (4.6)	1.6 (5.9)		
	PSIG (kPa)	0.3 (2)	0.3 (2.1)	0.3 (2.3)	0.4 (2.8)	0.5 (3.7)	0.7 (5.1)	1.1 (7.4)	1.6 (11)		
KXHA009M8 Compressor: RST64C1E	BTU/H (Watts)	3610 (1060)	4200 (1230)	4880 (1430)	5650 (1660)	6510 (1910)	7280 (2130)	8150 (2390)	9070 (2660)		
	GPM (L/min)	0.7 (2.5)	0.8 (2.9)	0.9 (3.5)	1.2 (4.5)	1.4 (5.3)	1.8 (6.8)	2.3 (8.5)	2.8 (10.6)		
	PSIG (kPa)	0.4 (2.7)	0.5 (3.5)	0.7 (4.9)	1.0 (7.2)	1.4 (9.5)	2.0 (13.9)	2.9 (19.9)	4.1 (28.2)		
KXHA010M8 Compressor: RST70C1E	BTU/H (Watts)	3790 (1110)	4430 (1300)	5120 (1500)	5860 (1720)	6640 (1950)	7480 (2190)	8370 (2450)	9320 (2730)		
	GPM (L/min)	0.6 (2.5)	0.8 (2.9)	0.9 (3.5)	1.2 (4.4)	1.4 (5.5)	1.8 (6.9)	2.3 (8.6)	2.8 (10.7)		
	PSIG (kPa)	0.4 (2.6)	0.5 (3.5)	0.7 (4.8)	1.0 (6.9)	1.4 (9.9)	2.1 (14.2)	2.9 (20.2)	4.1 (28.5)		
KXHA011M8 Compressor: RST80C1E	BTU/H (Watts)	4480 (1310)	5200 (1520)	5980 (1750)	6820 (2000)	7710 (2260)	8680 (2540)	9710 (2850)	10810 (3170)		
	GPM (L/min)	0.8 (3.1)	1.0 (3.9)	1.3 (4.9)	1.6 (6.2)	2.1 (7.9)	2.6 (10)	3.3 (12.6)	4.1 (15.6)		
	PSIG (kPa)	0.6 (3.8)	0.7 (5.1)	1.0 (7.2)	1.7 (11.6)	2.4 (16.6)	3.5 (24)	5.0 (34.5)	7.2 (49.7)		
KXHA013M8 Compressor: RST97C1E	BTU/H (Watts)	5130 (1500)	5970 (1750)	6880 (2020)	7840 (2300)	8860 (2600)	9930 (2910)	11050 (3240)	12230 (3580)		
	GPM (L/min)	1.3 (4.9)	1.5 (5.8)	1.8 (7)	2.2 (8.4)	2.7 (10.1)	3.2 (12.2)	3.9 (14.6)	4.6 (17.4)		
	PSIG (kPa)	0.3 (2.1)	0.4 (2.9)	0.6 (4)	0.8 (5.6)	1.1 (7.8)	1.6 (10.7)	2.1 (14.6)	2.9 (19.7)		

CAPACITY DATA - R407C
HIGH / MEDIUM TEMPERATURE

Capacity Rating Conditions: Entering Water = 85°F (29.4°C), Condensing = 110°F (43.3°C), Subcooling = 0°F (0°C)

MODEL KXHA		SATURATED SUCTION TEMPERATURE °F (°C)								
		10 (-12.2)	15 (-9.4)	20 (-6.7)	25 (-3.9)	30 (-1.1)	35 (1.7)	40 (4.4)	45 (7.2)	
KXHA006M8 Compressor: RST45C1E	BTU/H (Watts)	3760 (1100)	4330 (1270)	4950 (1450)	5640 (1650)	6390 (1870)	7190 (2110)	8060 (2360)	8990 (2630)	
	GPM (L/min)	0.9 (3.4)	1.0 (3.7)	1.1 (4.2)	1.3 (4.9)	1.6 (6)	2.0 (7.5)	2.5 (9.4)	3.1 (11.8)	
	PSIG (kPa)	0.5 (3.8)	0.6 (4.2)	0.7 (5.1)	1.0 (6.6)	1.3 (9)	1.9 (12.8)	2.7 (18.5)	3.9 (27.2)	
KXA008M8 Compressor: RST55C1E	BTU/H (Watts)	4620 (1350)	5290 (1550)	6020 (1760)	6820 (2000)	7710 (2260)	8680 (2540)	9740 (2850)	10910 (3200)	
	GPM (L/min)	0.7 (2.6)	0.8 (2.9)	0.9 (3.3)	1.0 (3.9)	1.2 (4.7)	1.5 (5.8)	1.9 (7.1)	2.3 (8.8)	
	PSIG (kPa)	0.4 (2.8)	0.5 (3.5)	0.6 (4.4)	0.8 (5.8)	1.1 (7.8)	1.5 (10.7)	2.2 (14.8)	3.0 (20.9)	
KXA009M8 Compressor: RST64C1E	BTU/H (Watts)	6060 (1780)	6930 (2030)	7890 (2310)	8940 (2620)	10100 (2960)	11010 (3230)	12360 (3620)	13830 (4050)	
	GPM (L/min)	1.0 (3.6)	1.2 (4.4)	1.4 (5.4)	1.8 (6.7)	2.0 (7.7)	2.5 (9.4)	3.1 (11.7)	3.9 (14.6)	
	PSIG (kPa)	0.7 (5.1)	1.0 (7)	1.4 (9.6)	2.0 (13.4)	2.4 (16.8)	3.3 (23.1)	4.8 (33.1)	6.9 (47.8)	
KXHA010M8 Compressor: RST70C1E	BTU/H (Watts)	6260 (1830)	7120 (2090)	8050 (2360)	9070 (2660)	10200 (2990)	11430 (3350)	12790 (3750)	14290 (4190)	
	GPM (L/min)	1.0 (3.7)	1.2 (4.5)	1.4 (5.4)	1.8 (6.6)	2.2 (8.2)	2.7 (10)	3.3 (12.4)	4.0 (15.2)	
	PSIG (kPa)	0.8 (5.4)	1.0 (7.2)	1.4 (9.7)	1.9 (13.4)	2.7 (18.5)	3.7 (25.9)	5.3 (36.4)	7.5 (51.5)	
KXHA011M8 Compressor: RST80C1E	BTU/H (Watts)	7280 (2130)	8280 (2430)	9370 (2750)	10560 (3090)	11870 (3480)	13310 (3900)	14890 (4360)	16640 (4880)	
	GPM (L/min)	1.3 (5)	1.6 (6.2)	2.0 (7.6)	2.5 (9.4)	3.1 (11.6)	3.8 (14.4)	4.7 (17.7)	5.8 (21.8)	
	PSIG (kPa)	1.2 (8.5)	1.7 (11.8)	2.4 (16.5)	3.4 (23.2)	4.8 (32.8)	6.8 (46.7)	9.7 (66.6)	13.9 (95.5)	
KXHA013M8 Compressor: RST97C1E	BTU/H (Watts)	8270 (2420)	9400 (2750)	10640 (3120)	11990 (3510)	13470 (3950)	15110 (4430)	16900 (4950)	18880 (5530)	
	GPM (L/min)	1.6 (6.2)	1.9 (7.4)	2.3 (8.9)	2.8 (10.7)	3.4 (13)	4.2 (15.9)	5.1 (19.4)	6.3 (23.8)	
	PSIG (kPa)	0.5 (3.3)	0.6 (4.5)	0.9 (6.1)	1.2 (8.6)	1.7 (12)	2.5 (16.9)	3.5 (24.1)	5.0 (34.4)	

CAPACITY DATA - R404A R507
MEDIUM TEMPERATURE

Capacity Rating Conditions: Entering Water = 85°F (29.4°C), Condensing = 110°F (43.3°C), Subcooling = 0°F (0°C)

MODEL KXHA		SATURATED SUCTION TEMPERATURE °F (°C)									
		-10 (-23.3)	-5 (-20.6)	0 (-17.8)	5 (-15.0)	10 (-9.4)	20 (-6.7)	25 (-3.9)	30 (-1.1)		
KXHA006M8 Compressor: RST45C1E	BTU/H (Watts)	2400 (700)	2780 (810)	3190 (930)	4130 (1210)	4640 (1360)	5190 (1520)	5780 (1690)	6400 (1880)		
	GPM (L/min)	0.6 (2.1)	0.6 (2.3)	0.7 (2.6)	0.9 (3.4)	1.0 (3.9)	1.2 (4.6)	1.4 (5.3)	1.6 (6.2)		
	PSIG (kPa)	0.3 (1.8)	0.3 (2)	0.4 (2.4)	0.5 (3.7)	0.7 (4.6)	0.9 (5.9)	1.1 (7.5)	1.4 (9.5)		
KXHA008M8 Compressor: RST55C1E	BTU/H (Watts)	2880 (840)	3370 (990)	3880 (1140)	5030 (1470)	5660 (1660)	6330 (1860)	7030 (2060)	7790 (2280)		
	GPM (L/min)	0.6 (2.3)	0.6 (2.3)	0.6 (2.4)	0.8 (2.9)	0.9 (3.3)	1.0 (3.7)	1.1 (4.3)	1.3 (5.1)		
	PSIG (kPa)	0.3 (2.4)	0.4 (2.4)	0.4 (2.6)	0.5 (3.5)	0.6 (4.3)	0.8 (5.4)	1.0 (6.8)	1.3 (8.8)		
KXHA009M8 Compressor: RST64C1E	BTU/H (Watts)	3940 (1150)	4540 (1330)	5190 (1520)	6610 (1940)	7380 (2160)	8190 (2400)	9050 (2650)	9950 (2920)		
	GPM (L/min)	0.7 (2.6)	0.7 (2.8)	0.8 (3.2)	1.1 (4.3)	1.3 (5)	1.6 (6)	1.9 (7.2)	2.3 (8.6)		
	PSIG (kPa)	0.4 (2.8)	0.5 (3.3)	0.6 (4.1)	1.0 (6.6)	1.3 (8.7)	1.7 (11.4)	2.2 (15.1)	2.9 (20)		
KXHA010M8 Compressor: RST70C1E	BTU/H (Watts)	4010 (1180)	4640 (1360)	5330 (1560)	6840 (2000)	7670 (2250)	8550 (2510)	9480 (2780)	10450 (3060)		
	GPM (L/min)	0.7 (2.5)	0.7 (2.8)	0.8 (3.2)	1.1 (4.3)	1.4 (5.2)	1.6 (6.2)	1.9 (7.3)	2.3 (8.7)		
	PSIG (kPa)	0.4 (2.8)	0.5 (3.3)	0.6 (4.1)	1.0 (6.8)	1.3 (9)	1.7 (11.9)	2.3 (15.7)	3.0 (20.6)		
KXHA011M8 Compressor: RST80C1E	BTU/H (Watts)	4780 (1400)	5490 (1610)	6270 (1840)	7980 (2340)	8920 (2610)	9920 (2910)	10970 (3210)	12080 (3540)		
	GPM (L/min)	0.8 (3)	0.9 (3.5)	1.1 (4.1)	1.6 (5.9)	1.9 (7.1)	2.3 (8.6)	2.7 (10.3)	3.2 (12.3)		
	PSIG (kPa)	0.5 (3.7)	0.7 (4.7)	0.9 (6.2)	1.6 (11)	2.2 (14.9)	2.9 (20)	3.9 (26.9)	5.2 (36.1)		
KXHA013M8 Compressor: RST97C1E	BTU/H (Watts)	5450 (1600)	6280 (1840)	7180 (2100)	9160 (2680)	10220 (3000)	11330 (3320)	12470 (3650)	13640 (4000)		
	GPM (L/min)	1.1 (4)	1.2 (4.4)	1.3 (5)	1.8 (6.7)	2.1 (7.9)	2.5 (9.4)	2.9 (11)	3.4 (12.9)		
	PSIG (kPa)	0.2 (1.4)	0.2 (1.7)	0.3 (2.1)	0.5 (3.8)	0.7 (5.1)	1.0 (6.8)	1.3 (9)	1.7 (11.8)		

CAPACITY DATA - R404A R507
LOW TEMPERATURE

Capacity Rating Conditions: Entering Water = 85°F (29.4°C), Condensing = 110°F (43.3°C), Subcooling = 0°F (0°C)

MODEL KXHA		SATURATED SUCTION TEMPERATURE °F (°C)							
		-30 (-34.4)	-20 (-28.9)	-10 (-23.3)	-5 (-20.6)	0 (-17.8)	5 (-15)	10 (-12.2)	
KXHA006L6 Compressor: RFT22C1E	BTU/H (Watts)	1310 (380)	1890 (550)	2580 (760)	2960 (870)	3380 (990)	3830 (1120)	4300 (1260)	
	GPM (L/min)	0.2 (0.9)	0.4 (1.6)	0.7 (2.7)	0.9 (3.3)	1.1 (4.1)	1.3 (5.1)	1.6 (6.1)	
	PSIG (kPa)	0.1 (0.5)	0.1 (1)	0.3 (2)	0.4 (2.8)	0.6 (3.8)	0.8 (5.2)	1.0 (7.1)	
KXHA008L6 Compressor: RFT26C1E	BTU/H (Watts)	1670 (490)	2340 (690)	3140 (920)	3600 (1060)	4100 (1200)	4610 (1350)	5180 (1520)	
	GPM (L/min)	0.5 (1.9)	0.8 (3)	1.2 (4.6)	1.5 (5.6)	1.8 (6.8)	2.2 (8.2)	2.6 (9.8)	
	PSIG (kPa)	0.2 (1.2)	0.3 (2.3)	0.7 (4.5)	0.9 (6.2)	1.2 (8.5)	1.7 (11.6)	2.3 (15.6)	

Capacity Rating Conditions: Entering Water = 85°F (29.4°C), Condensing = 110°F (43.3°C), Subcooling = 0°F (0°C)

MODEL KXZA		SATURATED SUCTION TEMPERATURE °F (°C)									
		-10 (-23.3)	0 (-17.8)	10 (-12.2)	20 (-6.7)	25 (-3.9)	30 (-1.1)	35 (1.7)	40 (4.4)		
KXZA007H8 Compressor: ZB06KAE	BTU/H (Watts)	3200 (940)	4000 (1170)	5000 (1470)	6400 (1880)	7200 (2110)	8000 (2340)	8900 (2610)	9900 (2900)		
	GPM (L/min)	0.7 (2.6)	0.8 (3)	0.9 (3.4)	1.0 (3.6)	1.1 (4.1)	1.3 (4.8)	1.5 (5.7)	1.8 (6.7)		
	PSIG (kPa)	0.4 (3)	0.6 (3.8)	0.7 (4.6)	0.7 (5.1)	0.9 (6.4)	1.2 (8.1)	1.5 (10.4)	2.0 (13.6)		
KXZA008H8 Compressor: ZB07KAE	BTU/H (Watts)	3500 (1030)	4800 (1410)	6200 (1820)	7900 (2320)	8700 (2550)	9600 (2810)	10600 (3110)	11600 (3400)		
	GPM (L/min)	0.7 (2.6)	0.9 (3.4)	1.0 (3.8)	1.4 (5.2)	1.6 (6.1)	1.9 (7.1)	2.2 (8.2)	2.5 (9.5)		
	PSIG (kPa)	0.4 (3)	0.7 (4.6)	0.8 (5.6)	1.3 (9.1)	1.7 (11.6)	2.1 (14.7)	2.7 (18.7)	3.4 (23.7)		
KXZA009H8 Compressor: ZB08KAE	BTU/H (Watts)	4300 (1260)	5800 (1700)	7500 (2200)	9200 (2700)	10100 (2960)	11100 (3250)	12100 (3550)	13100 (3840)		
	GPM (L/min)	1.0 (3.8)	1.2 (4.4)	1.4 (5.3)	1.8 (6.7)	2.0 (7.6)	2.3 (8.7)	2.6 (9.9)	3.0 (11.2)		
	PSIG (kPa)	0.2 (1.2)	0.2 (1.6)	0.4 (2.4)	0.5 (3.8)	0.7 (4.7)	0.9 (5.9)	1.1 (7.4)	1.3 (9.2)		
KXZA010H8 Compressor: ZS09KAE	BTU/H (Watts)	5300 (1550)	6700 (1960)	8300 (2430)	10300 (3020)	11400 (3340)	12700 (3720)	14100 (4130)	15600 (4570)		
	GPM (L/min)	1.1 (4.1)	1.3 (4.8)	1.6 (6)	2.1 (7.8)	2.4 (9.1)	2.8 (10.7)	3.4 (12.8)	4.1 (15.3)		
	PSIG (kPa)	0.2 (1.4)	0.3 (2)	0.4 (3)	0.7 (4.9)	0.9 (6.4)	1.2 (8.6)	1.7 (11.6)	2.3 (15.9)		
KXZA011H8 Compressor: ZS11KAE	BTU/H (Watts)	6400 (1880)	8000 (2340)	10000 (2930)	12300 (3600)	13600 (3990)	15100 (4430)	16800 (4920)	18600 (5450)		
	GPM (L/min)	1.3 (4.9)	1.6 (6.2)	2.1 (8.1)	2.9 (11.1)	3.5 (13.1)	4.1 (15.7)	5.0 (18.8)	6.0 (22.8)		
	PSIG (kPa)	0.3 (2.1)	0.5 (3.2)	0.8 (5.3)	1.3 (9.1)	1.8 (12.1)	2.4 (16.5)	3.3 (22.8)	4.6 (31.9)		
KXZA015H8 Compressor: ZS13KAE	BTU/H (Watts)	7300 (2140)	9200 (2700)	11400 (3340)	14000 (4100)	15600 (4570)	17300 (5070)	19200 (5630)	21300 (6240)		
	GPM (L/min)	1.5 (5.7)	1.7 (6.4)	2.0 (7.6)	2.4 (9)	2.9 (11.1)	3.6 (13.8)	4.6 (17.3)	5.7 (21.7)		
	PSIG (kPa)	0.6 (4.2)	0.7 (4.8)	0.8 (5.8)	1.1 (7.3)	1.4 (9.8)	2.0 (13.7)	2.9 (20)	4.3 (29.8)		
KXZA020H8 Compressor: ZS15KAE	BTU/H (Watts)	8800 (2580)	11000 (3220)	13700 (4020)	16900 (4950)	18800 (5510)	20800 (6100)	23100 (6770)	25600 (7500)		
	GPM (L/min)	1.8 (7)	2.3 (8.5)	2.9 (11)	3.9 (14.7)	4.6 (17.3)	5.4 (20.5)	6.5 (24.5)	7.8 (29.5)		
	PSIG (kPa)	0.8 (5.2)	1.0 (6.9)	1.4 (9.8)	2.2 (15.2)	2.8 (19.5)	3.7 (25.6)	4.9 (34.1)	6.7 (46.3)		
KXZA025H8 Compressor: ZS19KAE	BTU/H (Watts)	9900 (2900)	12500 (3660)	15500 (4540)	19100 (5600)	21200 (6210)	23500 (6890)	26100 (7650)	28900 (8470)		
	GPM (L/min)	1.8 (6.8)	2.0 (7.6)	2.4 (9.1)	2.8 (10.6)	3.2 (12.1)	3.6 (13.6)	3.9 (14.7)	5.0 (19)		
	PSIG (kPa)	0.2 (1.3)	0.3 (2)	0.5 (3.4)	0.7 (5)	1.0 (6.6)	1.2 (8.3)	1.4 (9.5)	2.2 (15.3)		
KXZA030H8 Compressor: ZS21KAE	BTU/H (Watts)	13100 (3840)	16400 (4810)	20400 (5980)	25200 (7390)	27900 (8180)	31000 (9090)	34400 (10080)	38200 (11200)		
	GPM (L/min)	2.2 (8.3)	2.9 (11)	3.3 (12.5)	4.2 (15.7)	5.3 (20.2)	6.8 (25.8)	8.7 (33)	11.1 (42)		
	PSIG (kPa)	0.4 (2.7)	0.8 (5.4)	1.0 (7)	1.6 (10.9)	2.5 (16.9)	3.7 (25.8)	5.6 (39)	8.5 (58.6)		
KXZA035H8 Compressor: ZS26KAE	BTU/H (Watts)	13900 (4070)	17800 (5220)	22500 (6590)	28200 (8260)	31400 (9200)	34900 (10230)	38700 (11340)	42800 (12540)		
	GPM (L/min)	2.5 (9.5)	3.3 (12.5)	4.2 (15.9)	5.9 (22.4)	7.7 (29.2)	9.8 (37.3)	12.4 (46.9)	15.4 (58.4)		
	PSIG (kPa)	0.6 (4)	0.9 (5.9)	1.2 (8.5)	2.1 (14.8)	3.3 (22.8)	5.0 (34.7)	7.5 (52)	11.2 (76.9)		
KXZA040H8 Compressor: ZS29KAE	BTU/H (Watts)	16300 (4780)	20500 (6010)	25400 (7440)	31400 (9200)	34800 (10200)	38600 (11310)	42900 (12570)	47500 (13920)		
	GPM (L/min)	3.0 (11.4)	3.7 (14)	4.2 (16)	6.1 (23)	7.4 (27.9)	9.0 (34.1)	11.1 (41.9)	13.6 (51.7)		
	PSIG (kPa)	1.1 (7.5)	1.3 (8.8)	1.4 (9.9)	2.2 (15.1)	2.9 (20.1)	4.0 (27.8)	5.8 (39.7)	8.5 (58.3)		
KXZA045H8 Compressor: ZS33KAE	BTU/H (Watts)	18500 (5420)	23300 (6830)	28900 (8470)	35600 (10430)	39500 (11580)	43900 (12870)	48700 (14270)	54000 (15830)		
	GPM (L/min)	3.3 (12.5)	4.6 (17.4)	5.8 (21.9)	8.4 (31.9)	10.3 (38.9)	12.6 (47.5)	15.4 (58.3)	18.9 (71.7)		
	PSIG (kPa)	1.2 (8)	1.6 (10.8)	2.1 (14.1)	3.6 (24.9)	5.0 (34.8)	7.2 (50)	10.6 (73.3)	15.8 (109)		
KXZA050H8 Compressor: ZB38KCE	BTU/H (Watts)	19600 (5740)	25800 (7560)	33300 (9760)	42200 (12370)	47200 (13830)	52500 (15390)	58100 (17030)	64200 (18820)		
	GPM (L/min)	3.6 (13.6)	3.9 (14.8)	5.8 (21.9)	9.0 (33.9)	11.2 (42.2)	13.9 (52.5)	17.1 (64.9)	21.1 (79.7)		
	PSIG (kPa)	2.3 (15.9)	2.4 (16.5)	2.9 (20.2)	4.0 (27.6)	4.9 (33.6)	6.1 (42.1)	7.8 (53.8)	10.1 (69.9)		
KXZA060H8 Compressor: ZB45KCE	BTU/H (Watts)	22500 (6590)	29500 (8650)	38100 (11170)	48300 (14160)	54000 (15830)	60100 (17610)	66700 (19550)	73500 (21540)		
	GPM (L/min)	4.2 (15.9)	4.9 (18.5)	5.9 (22.4)	9.5 (35.8)	12.0 (45.3)	15.1 (57.2)	18.9 (71.7)	23.5 (89)		
	PSIG (kPa)	0.3 (1.7)	0.5 (3.2)	0.8 (5.5)	2.2 (15.1)	3.4 (23.4)	5.1 (35.5)	7.6 (52.7)	11.2 (77.1)		

NOTES:

- Above ratings are based on mean temperature.
- To convert to dew point ratings, use 0.95 multiplier.

CAPACITY DATA - R407A
LOW TEMPERATURE

Capacity Rating Conditions: Entering Water = 85°F (29.4°C), Condensing = 110°F (43.3°C), Subcooling = 0°F (0°C)

MODEL KXZA		SATURATED SUCTION TEMPERATURE °F (°C)											
		-40 (-40)	-35 (-37.2)	-30 (-34.4)	-25 (-31.7)	-20 (-28.9)	-15 (-26.1)	-10 (-23.3)	-5 (-20.6)				
KXZA008L8 Compressor: ZF03KAE	BTU/H (Watts)	1800 (530)	2000 (590)	2300 (670)	2500 (730)	2900 (850)	3200 (940)	3600 (1060)	4100 (1200)				
	GPM (L/min)	1.0 (3.6)	1.0 (3.6)	1.0 (3.6)	1.0 (3.7)	1.0 (3.9)	1.1 (4.2)	1.2 (4.7)	1.4 (5.5)				
	PSIG (kPa)	0.6 (4.1)	0.6 (4.1)	0.6 (4.1)	0.6 (4.3)	0.7 (4.6)	0.8 (5.2)	0.9 (6.2)	1.1 (7.8)				
KXZA010L8 Compressor: ZF04KAE	BTU/H (Watts)	2200 (640)	2500 (730)	2900 (850)	3300 (970)	3800 (1110)	4400 (1290)	5000 (1470)	5800 (1700)				
	GPM (L/min)	1.0 (3.7)	1.0 (3.9)	1.1 (4.2)	1.3 (4.8)	1.5 (5.7)	1.8 (6.9)	2.3 (8.6)	2.9 (10.9)				
	PSIG (kPa)	0.6 (4.3)	0.7 (4.6)	0.8 (5.2)	0.9 (6.3)	1.2 (8.2)	1.6 (11.3)	2.3 (16.2)	3.5 (23.9)				
KXZA015L8 Compressor: ZF05KAE	BTU/H (Watts)	2600 (760)	3000 (880)	3400 (1000)	3900 (1140)	4600 (1350)	5200 (1520)	6000 (1760)	6800 (1990)				
	GPM (L/min)	0.7 (2.5)	0.7 (2.7)	0.8 (3)	0.9 (3.5)	1.1 (4.1)	1.3 (4.9)	1.6 (6)	1.9 (7.3)				
	PSIG (kPa)	0.4 (2.7)	0.5 (3.1)	0.5 (3.8)	0.7 (4.8)	0.9 (6.2)	1.2 (8.3)	1.6 (11.3)	2.2 (15.5)				
KXZA020L8 Compressor: ZF07KAE	BTU/H (Watts)	4300 (1260)	5000 (1470)	5700 (1670)	6500 (1900)	7400 (2170)	8300 (2430)	9400 (2750)	10600 (3110)				
	GPM (L/min)	1.6 (5.9)	1.8 (6.6)	2.0 (7.6)	2.3 (8.8)	2.7 (10.3)	3.2 (12.1)	3.8 (14.3)	4.5 (17.1)				
	PSIG (kPa)	0.4 (2.9)	0.5 (3.7)	0.7 (4.7)	0.9 (6)	1.1 (7.9)	1.5 (10.5)	2.1 (14.2)	2.8 (19.3)				
KXZA025L8 Compressor: ZF08K4E	BTU/H (Watts)	4900 (1440)	5600 (1640)	6500 (1900)	7500 (2200)	8500 (2490)	9700 (2840)	10900 (3190)	12200 (3580)				
	GPM (L/min)	1.5 (5.8)	1.5 (5.8)	1.6 (6.1)	1.8 (6.7)	2.0 (7.7)	2.5 (9.4)	3.1 (11.8)	4.0 (15)				
	PSIG (kPa)	0.6 (4.4)	0.6 (4.3)	0.7 (4.5)	0.7 (5)	0.9 (6)	1.1 (7.7)	1.6 (10.7)	2.3 (15.7)				
KXZA030L8 Compressor: ZF09K4E	BTU/H (Watts)	5500 (1610)	6300 (1850)	7200 (2110)	8400 (2460)	9600 (2810)	10900 (3190)	12200 (3580)	13600 (3990)				
	GPM (L/min)	1.5 (5.8)	1.6 (6.1)	1.8 (6.7)	2.1 (7.8)	2.5 (9.5)	3.1 (11.9)	3.9 (14.8)	4.8 (18.4)				
	PSIG (kPa)	0.6 (4.4)	0.7 (4.6)	0.7 (5)	0.9 (6)	1.1 (7.8)	1.6 (10.8)	2.2 (15.5)	3.2 (22.2)				
KXZA035L8 Compressor: ZF11K4E	BTU/H (Watts)	6800 (1990)	7800 (2290)	9000 (2640)	10400 (3050)	11900 (3490)	13600 (3990)	15300 (4480)	17000 (4980)				
	GPM (L/min)	2.4 (9)	2.7 (10.3)	3.2 (12)	3.8 (14.3)	4.5 (17.2)	5.4 (20.6)	6.4 (24.4)	7.5 (28.5)				
	PSIG (kPa)	1.1 (7.4)	1.3 (9)	1.6 (11.3)	2.1 (14.7)	2.8 (19.4)	3.7 (25.7)	4.9 (33.8)	6.3 (43.7)				
KXZA045L8 Compressor: ZF13K4E	BTU/H (Watts)	7800 (2290)	8800 (2580)	10100 (2960)	11600 (3400)	13400 (3930)	15300 (4480)	17500 (5130)	19700 (5770)				
	GPM (L/min)	3.0 (11.4)	3.4 (13.1)	4.0 (15.3)	4.8 (18.3)	5.8 (22.1)	7.1 (26.8)	8.6 (32.4)	10.3 (39)				
	PSIG (kPa)	1.5 (10.5)	1.8 (12.8)	2.4 (16.2)	3.1 (21.4)	4.2 (28.9)	5.7 (39.5)	7.9 (54.4)	10.8 (74.6)				
KXZA055L8 Compressor: ZF15K4E	BTU/H (Watts)	9900 (2900)	11100 (3250)	12600 (3690)	14500 (4250)	16500 (4840)	18900 (5540)	21500 (6300)	24200 (7090)				
	GPM (L/min)	2.6 (9.8)	2.8 (10.6)	3.0 (11.4)	3.4 (12.8)	4.5 (16.9)	5.9 (22.2)	7.6 (28.7)	9.7 (36.7)				
	PSIG (kPa)	0.6 (4.2)	0.7 (5)	0.8 (5.8)	1.1 (7.3)	1.8 (12.4)	2.9 (19.9)	4.5 (30.9)	6.8 (46.7)				
KXZA060L8 Compressor: ZF18K4E	BTU/H (Watts)	12000 (3520)	13500 (3960)	15300 (4480)	17500 (5130)	20100 (5890)	22800 (6680)	25900 (7590)	---				
	GPM (L/min)	2.8 (10.7)	3.5 (13.4)	4.6 (17.3)	6.0 (22.6)	7.8 (29.6)	10.1 (38.3)	12.9 (48.9)	---				
	PSIG (kPa)	0.7 (5)	1.2 (8.1)	1.9 (12.9)	3.0 (20.6)	4.7 (32.4)	7.3 (50.1)	11.0 (76.1)	---				

NOTES:

- Above ratings are based on mean temperature.
- To convert to dew point ratings, use 0.95 multiplier.

CAPACITY DATA - R448A R449A
HIGH / MEDIUM TEMPERATURE

Capacity Rating Conditions: Entering Water = 85°F (29.4°C), Condensing = 110°F (43.3°C), Subcooling = 0°F (0°C)

MODEL KXZA		SATURATED SUCTION TEMPERATURE °F (°C)									
		-10 (-23.3)	0 (-17.8)	10 (-12.2)	20 (-6.7)	25 (-3.9)	30 (-1.1)	35 (1.7)	40 (4.4)		
KXZA007H8 Compressor: ZB06KAE	BTU/H (Watts)	3200 (940)	4100 (1200)	5300 (1550)	6600 (1930)	7400 (2170)	8200 (2400)	9000 (2640)	9900 (2900)		
	GPM (L/min)	0.7 (2.6)	0.8 (3)	0.9 (3.4)	1.0 (3.8)	1.1 (4.3)	1.3 (5)	1.5 (5.8)	1.8 (6.9)		
	PSIG (kPa)	0.4 (3)	0.6 (3.8)	0.7 (4.6)	0.8 (5.4)	1.0 (6.8)	1.2 (8.5)	1.6 (10.9)	2.0 (14.1)		
KXZA008H8 Compressor: ZB07KAE	BTU/H (Watts)	3900 (1140)	5000 (1470)	6300 (1850)	7900 (2320)	8800 (2580)	9800 (2870)	10800 (3170)	11900 (3490)		
	GPM (L/min)	0.8 (3)	0.9 (3.4)	1.0 (3.9)	1.4 (5.3)	1.6 (6.2)	1.9 (7.3)	2.3 (8.7)	2.7 (10.4)		
	PSIG (kPa)	0.6 (3.8)	0.7 (4.6)	0.8 (5.8)	1.3 (9.3)	1.7 (12)	2.3 (15.6)	3.0 (20.6)	4.0 (27.3)		
KXZA009H8 Compressor: ZB08KAE	BTU/H (Watts)	4600 (1350)	5800 (1700)	7400 (2170)	9300 (2730)	10400 (3050)	11500 (3370)	12700 (3720)	14100 (4130)		
	GPM (L/min)	1.0 (3.9)	1.2 (4.4)	1.4 (5.3)	1.8 (6.8)	2.1 (7.9)	2.4 (9.2)	2.9 (10.8)	3.4 (12.7)		
	PSIG (kPa)	0.2 (1.2)	0.2 (1.6)	0.4 (2.4)	0.6 (3.9)	0.7 (5.1)	1.0 (6.6)	1.3 (8.7)	1.7 (11.5)		
KXZA010H8 Compressor: ZS09KAE	BTU/H (Watts)	5100 (1490)	6300 (1850)	7900 (2320)	9900 (2900)	11000 (3220)	12300 (3600)	13800 (4040)	15400 (4510)		
	GPM (L/min)	1.1 (4.1)	1.2 (4.7)	1.5 (5.8)	2.0 (7.6)	2.4 (8.9)	2.8 (10.6)	3.4 (12.7)	4.1 (15.5)		
	PSIG (kPa)	0.2 (1.4)	0.3 (1.9)	0.4 (2.9)	0.7 (4.7)	0.9 (6.2)	1.2 (8.4)	1.7 (11.5)	2.3 (16.1)		
KXZA011H8 Compressor: ZS11KAE	BTU/H (Watts)	6100 (1790)	7600 (2230)	9500 (2780)	11800 (3460)	13300 (3900)	14800 (4340)	16500 (4840)	18400 (5390)		
	GPM (L/min)	1.3 (4.8)	1.6 (5.9)	2.0 (7.7)	2.8 (10.6)	3.3 (12.6)	4.0 (15.2)	4.9 (18.5)	6.0 (22.6)		
	PSIG (kPa)	0.3 (1.9)	0.4 (3)	0.7 (4.8)	1.2 (8.4)	1.7 (11.4)	2.3 (15.7)	3.2 (22.1)	4.6 (31.5)		
KXZA015H8 Compressor: ZS13KAE	BTU/H (Watts)	7000 (2050)	8700 (2550)	10700 (3140)	13300 (3900)	14900 (4370)	16600 (4860)	18700 (5480)	21000 (6150)		
	GPM (L/min)	1.5 (5.7)	1.7 (6.4)	2.0 (7.6)	2.2 (8.3)	2.7 (10.3)	3.4 (13)	4.4 (16.6)	5.6 (21.3)		
	PSIG (kPa)	0.6 (4.2)	0.7 (4.8)	0.8 (5.8)	0.9 (6.5)	1.3 (8.8)	1.8 (12.4)	2.7 (18.6)	4.2 (28.9)		
KXZA020H8 Compressor: ZS15KAE	BTU/H (Watts)	8400 (2460)	10400 (3050)	13000 (3810)	16300 (4780)	18200 (5330)	20400 (5980)	22700 (6650)	25400 (7440)		
	GPM (L/min)	1.8 (6.8)	2.2 (8.2)	2.8 (10.5)	3.7 (14.1)	4.4 (16.7)	5.3 (20)	6.4 (24.2)	7.8 (29.4)		
	PSIG (kPa)	0.7 (5)	0.9 (6.5)	1.3 (9.3)	2.1 (14.4)	2.7 (18.6)	3.6 (24.6)	4.8 (33.3)	6.7 (46.1)		
KXZA025H8 Compressor: ZS19KAE	BTU/H (Watts)	9400 (2750)	11800 (3460)	14600 (4280)	18100 (5300)	20200 (5920)	22600 (6620)	25400 (7440)	28500 (8350)		
	GPM (L/min)	1.8 (6.8)	2.0 (7.6)	2.4 (9.1)	2.8 (10.6)	3.2 (12.1)	3.6 (13.6)	3.7 (13.9)	4.9 (18.7)		
	PSIG (kPa)	0.2 (1.3)	0.3 (2)	0.5 (3.4)	0.7 (5)	1.0 (6.6)	1.2 (8.3)	1.2 (8.6)	2.1 (14.8)		
KXZA030H8 Compressor: ZS21KAE	BTU/H (Watts)	12500 (3660)	16500 (4840)	21100 (6180)	26400 (7740)	29300 (8590)	32400 (9500)	35800 (10490)	39400 (11550)		
	GPM (L/min)	2.5 (9.5)	3.3 (12.5)	4.2 (15.9)	4.8 (18.2)	6.2 (23.4)	7.8 (29.7)	9.9 (37.4)	12.3 (46.6)		
	PSIG (kPa)	0.6 (3.8)	1.0 (7)	1.6 (11.1)	2.0 (14.1)	3.2 (21.7)	4.7 (32.6)	7.0 (48.2)	10.2 (70.2)		
KXZA035H8 Compressor: ZS26KAE	BTU/H (Watts)	13700 (4020)	17400 (5100)	22300 (6540)	28300 (8290)	31700 (9290)	35400 (10370)	39400 (11550)	43700 (12810)		
	GPM (L/min)	2.5 (9.5)	3.3 (12.5)	4.2 (15.9)	6.0 (22.6)	7.9 (30)	10.3 (38.8)	13.0 (49.3)	16.3 (61.7)		
	PSIG (kPa)	0.6 (4)	0.9 (5.9)	1.2 (8.5)	2.2 (15)	3.5 (23.9)	5.4 (37.2)	8.2 (56.8)	12.3 (85)		
KXZA040H8 Compressor: ZS29KAE	BTU/H (Watts)	15900 (4660)	21000 (6150)	26800 (7850)	33500 (9820)	37200 (10900)	41200 (12070)	45400 (13310)	50000 (14650)		
	GPM (L/min)	3.0 (11.4)	3.7 (14)	4.6 (17.4)	6.9 (26)	8.4 (31.8)	10.3 (38.9)	12.5 (47.5)	15.2 (57.7)		
	PSIG (kPa)	1.1 (7.5)	1.3 (8.8)	1.6 (10.7)	2.6 (18)	3.6 (24.7)	5.1 (34.8)	7.2 (49.8)	10.4 (71.8)		
KXZA045H8 Compressor: ZS33KAE	BTU/H (Watts)	17500 (5130)	23100 (6770)	29600 (8670)	36900 (10810)	41000 (12020)	45400 (13310)	50100 (14680)	55200 (16180)		
	GPM (L/min)	3.3 (12.5)	4.6 (17.4)	5.8 (22)	8.8 (33.3)	10.8 (40.8)	13.2 (49.9)	16.1 (60.8)	19.5 (73.7)		
	PSIG (kPa)	1.2 (8)	1.6 (10.8)	2.1 (14.2)	3.9 (26.6)	5.5 (37.9)	7.9 (54.7)	11.5 (79.4)	16.7 (115.3)		
KXZA050H8 Compressor: ZB38KCE	BTU/H (Watts)	19200 (5630)	25800 (7560)	33200 (9730)	41600 (12190)	46400 (13600)	51500 (15090)	57200 (16760)	63300 (18550)		
	GPM (L/min)	3.6 (13.6)	4.2 (15.9)	5.9 (22.3)	8.9 (33.6)	11.0 (41.5)	13.6 (51.4)	16.8 (63.5)	20.7 (78.5)		
	PSIG (kPa)	2.3 (15.9)	2.5 (17)	2.9 (20.3)	4.0 (27.4)	4.8 (33.1)	6.0 (41.1)	7.6 (52.4)	9.9 (68.5)		
KXZA060H8 Compressor: ZB45KCE	BTU/H (Watts)	22800 (6680)	30700 (9000)	39400 (11550)	49400 (14480)	55100 (16150)	61200 (17940)	67900 (19900)	75200 (22040)		
	GPM (L/min)	4.2 (15.9)	4.9 (18.5)	6.4 (24.2)	10.0 (38)	12.6 (47.8)	15.9 (60.1)	19.9 (75.4)	24.9 (94.3)		
	PSIG (kPa)	0.3 (1.7)	0.5 (3.2)	1.0 (6.7)	2.5 (16.9)	3.7 (25.8)	5.6 (38.7)	8.4 (57.6)	12.4 (85.4)		

NOTES:

- Above ratings are based on mean temperature.
- To convert to dew point ratings, use 0.95 multiplier.

CAPACITY DATA - R448A R449A
LOW TEMPERATURE

Capacity Rating Conditions: Entering Water = 85°F (29.4°C), Condensing = 110°F (43.3°C), Subcooling = 0°F (0°C)

MODEL KXZA		SATURATED SUCTION TEMPERATURE °F (°C)											
		-40 (-40)	-35 (-37.2)	-30 (-34.4)	-25 (-31.7)	-20 (-28.9)	-15 (-26.1)	-10 (-23.3)	-5 (-20.6)				
KXZA008L8 Compressor: ZF03KAE	BTU/H (Watts)	1900 (560)	2100 (620)	2400 (700)	2700 (790)	3000 (880)	3400 (1000)	3800 (1110)	4300 (1260)				
	GPM (L/min)	1.0 (3.6)	1.0 (3.6)	1.0 (3.7)	1.0 (3.8)	1.1 (4.1)	1.2 (4.5)	1.3 (5)	1.6 (5.9)				
	PSIG (kPa)	0.6 (4.1)	0.6 (4.1)	0.6 (4.2)	0.6 (4.4)	0.7 (4.9)	0.8 (5.6)	1.0 (6.8)	1.3 (8.7)				
KXZA010L8 Compressor: ZF04KAE	BTU/H (Watts)	2400 (700)	2700 (790)	3100 (910)	3500 (1030)	4100 (1200)	4600 (1350)	5300 (1550)	6000 (1760)				
	GPM (L/min)	1.0 (3.9)	1.1 (4.1)	1.2 (4.5)	1.4 (5.2)	1.6 (6.2)	2.0 (7.5)	2.5 (9.4)	3.1 (11.8)				
	PSIG (kPa)	0.7 (4.5)	0.7 (5)	0.8 (5.8)	1.0 (7.1)	1.4 (9.4)	1.9 (13)	2.7 (18.6)	4.0 (27.3)				
KXZA015L8 Compressor: ZF05KAE	BTU/H (Watts)	2800 (820)	3200 (940)	3700 (1080)	4200 (1230)	4800 (1410)	5500 (1610)	6300 (1850)	7100 (2080)				
	GPM (L/min)	0.7 (2.6)	0.8 (2.9)	0.9 (3.2)	1.0 (3.7)	1.2 (4.4)	1.4 (5.3)	1.7 (6.4)	2.1 (7.8)				
	PSIG (kPa)	0.4 (2.9)	0.5 (3.4)	0.6 (4.2)	0.8 (5.4)	1.0 (7)	1.3 (9.3)	1.8 (12.6)	2.5 (17.3)				
KXZA020L8 Compressor: ZF07KAE	BTU/H (Watts)	4500 (1320)	5100 (1490)	5900 (1730)	6600 (1930)	7500 (2200)	8500 (2490)	9600 (2810)	10800 (3170)				
	GPM (L/min)	1.6 (6.2)	1.8 (6.9)	2.1 (7.9)	2.4 (9)	2.8 (10.5)	3.3 (12.4)	3.9 (14.8)	4.7 (17.8)				
	PSIG (kPa)	0.5 (3.3)	0.6 (4)	0.7 (5)	0.9 (6.4)	1.2 (8.3)	1.6 (11)	2.2 (15)	3.0 (20.7)				
KXZA025L8 Compressor: ZF08K4E	BTU/H (Watts)	5200 (1520)	6000 (1760)	6900 (2020)	7900 (2320)	9000 (2640)	10100 (2960)	11400 (3340)	12800 (3750)				
	GPM (L/min)	1.5 (5.8)	1.5 (5.8)	1.6 (6.1)	1.8 (6.8)	2.1 (8)	2.6 (9.8)	3.3 (12.4)	4.2 (16)				
	PSIG (kPa)	0.6 (4.3)	0.6 (4.4)	0.7 (4.6)	0.7 (5.2)	0.9 (6.2)	1.2 (8.2)	1.7 (11.6)	2.6 (17.6)				
KXZA030L8 Compressor: ZF09K4E	BTU/H (Watts)	5900 (1730)	6800 (1990)	7700 (2260)	8800 (2580)	10000 (2930)	11200 (3280)	12700 (3720)	14200 (4160)				
	GPM (L/min)	1.6 (5.9)	1.7 (6.3)	1.9 (7.1)	2.2 (8.2)	2.6 (10)	3.3 (12.5)	4.2 (15.8)	5.4 (20.4)				
	PSIG (kPa)	0.6 (4.4)	0.7 (4.7)	0.8 (5.4)	0.9 (6.5)	1.2 (8.4)	1.7 (11.7)	2.5 (17.3)	3.9 (26.7)				
KXZA035L8 Compressor: ZF11K4E	BTU/H (Watts)	7300 (2140)	8400 (2460)	9600 (2810)	10900 (3190)	12400 (3630)	14000 (4100)	15800 (4630)	17700 (5190)				
	GPM (L/min)	2.5 (9.3)	2.8 (10.7)	3.3 (12.5)	3.9 (14.7)	4.6 (17.4)	5.5 (20.7)	6.6 (24.8)	7.9 (29.8)				
	PSIG (kPa)	1.1 (7.8)	1.4 (9.6)	1.7 (12)	2.2 (15.3)	2.9 (19.8)	3.8 (26)	5.1 (34.8)	6.8 (47.2)				
KXZA045L8 Compressor: ZF13K4E	BTU/H (Watts)	8400 (2460)	9600 (2810)	11000 (3220)	12600 (3690)	14400 (4220)	16400 (4810)	18500 (5420)	20900 (6130)				
	GPM (L/min)	4.2 (16)	4.7 (17.7)	5.3 (20.1)	6.1 (23.1)	7.1 (27)	8.4 (31.8)	9.9 (37.6)	11.8 (44.8)				
	PSIG (kPa)	2.5 (17.3)	3.0 (20.4)	3.6 (24.8)	4.5 (31.1)	5.8 (40)	7.6 (52.5)	10.2 (70.1)	13.8 (95)				
KXZA055L8 Compressor: ZF15K4E	BTU/H (Watts)	10600 (3110)	12100 (3550)	13800 (4040)	15700 (4600)	17800 (5220)	20200 (5920)	22800 (6680)	25700 (7530)				
	GPM (L/min)	2.6 (9.8)	3.1 (11.9)	3.8 (14.5)	4.8 (18)	5.9 (22.4)	7.4 (28.1)	9.3 (35.2)	11.6 (44)				
	PSIG (kPa)	0.6 (4.2)	0.9 (6.3)	1.4 (9.4)	2.0 (13.9)	2.9 (20.3)	4.3 (29.7)	6.3 (43.5)	9.2 (63.6)				
KXZA060L8 Compressor: ZF18K4E	BTU/H (Watts)	12900 (3780)	14700 (4310)	16800 (4920)	19100 (5600)	21600 (6330)	24400 (7150)	27500 (8060)	---	---			
	GPM (L/min)	4.8 (18)	5.6 (21.3)	6.7 (25.5)	8.2 (31)	10.1 (38.1)	12.4 (46.9)	15.3 (58.1)	---	---			
	PSIG (kPa)	2.0 (13.9)	2.7 (18.5)	3.7 (25.3)	5.1 (35.2)	7.2 (49.7)	10.3 (71)	14.8 (102.3)	---	---			

NOTES:

- Above ratings are based on mean temperature.
- To convert to dew point ratings, use 0.95 multiplier.

CAPACITY DATA - **R407C** HIGH / MEDIUM TEMPERATURE

Capacity Rating Conditions: Entering Water = 85°F (29.4°C), Condensing = 110°F (43.3°C), Subcooling = 0°F (0°C)

MODEL KXZA		SATURATED SUCTION TEMPERATURE °F (°C)								
		10 (-12.2)	15 (-9.4)	20 (-6.7)	25 (-3.9)	30 (-1.1)	35 (1.7)	40 (4.4)		
KXZA007H8 Compressor: ZB06KAE	BTU/H (Watts)	4790 (1400)	5410 (1590)	6080 (1780)	6800 (1990)	7580 (2220)	8420 (2470)	9340 (2740)		
	GPM (L/min)	0.8 (3)	0.9 (3.4)	0.9 (3.2)	1.0 (3.8)	1.2 (4.6)	1.5 (5.6)	1.8 (6.8)		
	PSIG (kPa)	0.6 (3.8)	0.7 (4.6)	0.6 (4.3)	0.8 (5.6)	1.1 (7.5)	1.5 (10.2)	2.0 (13.9)		
KXZA008H8 Compressor: ZB07KAE	BTU/H (Watts)	5760 (1690)	6490 (1900)	7280 (2130)	8140 (2390)	9050 (2650)	10000 (2930)	11100 (3250)		
	GPM (L/min)	0.9 (3.5)	1.1 (4.1)	1.3 (4.8)	1.5 (5.7)	1.8 (6.8)	2.2 (8.2)	2.7 (10.1)		
	PSIG (kPa)	0.7 (4.8)	0.9 (6.2)	1.2 (8)	1.5 (10.5)	2.0 (13.9)	2.7 (18.9)	3.8 (26.1)		
KXZA009H8 Compressor: ZB08KAE	BTU/H (Watts)	6770 (1980)	7580 (2220)	8480 (2490)	9450 (2770)	10520 (3080)	11700 (3430)	13000 (3810)		
	GPM (L/min)	1.2 (4.7)	1.4 (5.3)	1.6 (6.2)	1.9 (7.3)	2.3 (8.7)	2.7 (10.4)	3.3 (12.6)		
	PSIG (kPa)	0.3 (1.9)	0.4 (2.5)	0.5 (3.2)	0.6 (4.3)	0.9 (5.9)	1.2 (8.1)	1.6 (11.2)		
KXZA010H8 Compressor: ZS09KAE	BTU/H (Watts)	7940 (2330)	8950 (2620)	10010 (2930)	11120 (3260)	12310 (3610)	13600 (3990)	14900 (4370)		
	GPM (L/min)	1.6 (6)	1.9 (7.1)	2.2 (8.5)	2.7 (10.1)	3.2 (12)	3.8 (14.3)	4.5 (16.9)		
	PSIG (kPa)	0.4 (3.1)	0.6 (4.2)	0.8 (5.7)	1.1 (7.8)	1.5 (10.5)	2.0 (14.1)	2.7 (18.8)		
KXZA011H8 Compressor: ZS11KAE	BTU/H (Watts)	9480 (2780)	10680 (3130)	11950 (3500)	13280 (3890)	14690 (4310)	16200 (4750)	17800 (5220)		
	GPM (L/min)	2.3 (8.5)	2.7 (10.3)	3.3 (12.5)	4.0 (15.1)	4.8 (18.1)	5.7 (21.5)	6.7 (25.5)		
	PSIG (kPa)	0.8 (5.7)	1.2 (8)	1.6 (11.2)	2.2 (15.5)	3.1 (21.2)	4.2 (28.8)	5.6 (39)		
KXZA015H8 Compressor: ZS13KAE	BTU/H (Watts)	10830 (3170)	12200 (3580)	13640 (4000)	15170 (4450)	16780 (4920)	18500 (5420)	20300 (5950)		
	GPM (L/min)	1.8 (6.8)	2.0 (7.6)	2.5 (9.7)	3.2 (12.2)	4.0 (15.3)	5.0 (19)	6.2 (23.3)		
	PSIG (kPa)	0.7 (5.1)	0.9 (5.9)	1.2 (8)	1.6 (11.3)	2.4 (16.2)	3.4 (23.5)	4.9 (33.8)		
KXZA020H8 Compressor: ZS15KAE	BTU/H (Watts)	13050 (3820)	14710 (4310)	16450 (4820)	18280 (5360)	20230 (5930)	22300 (6540)	24500 (7180)		
	GPM (L/min)	3.2 (12.1)	3.8 (14.3)	4.5 (17.1)	5.4 (20.3)	6.3 (24)	7.5 (28.3)	8.8 (33.2)		
	PSIG (kPa)	1.6 (11.3)	2.1 (14.7)	2.8 (19.2)	3.6 (25.1)	4.8 (33)	6.3 (43.2)	8.2 (56.5)		
KXZA025H8 Compressor: ZS19KAE	BTU/H (Watts)	14720 (4310)	16590 (4860)	18560 (5440)	20630 (6050)	22820 (6690)	25200 (7390)	27600 (8090)		
	GPM (L/min)	2.2 (8.3)	2.4 (9.1)	2.6 (9.8)	3.0 (11.4)	3.2 (12.1)	4.1 (15.6)	5.2 (19.7)		
	PSIG (kPa)	0.4 (2.7)	0.5 (3.4)	0.6 (4.2)	0.8 (5.8)	1.0 (6.6)	1.6 (10.7)	2.4 (16.3)		
KXZA030H8 Compressor: ZS21KAE	BTU/H (Watts)	19770 (5790)	22290 (6530)	24920 (7300)	27710 (8120)	30650 (8980)	33800 (9910)	37100 (10870)		
	GPM (L/min)	3.0 (11.4)	3.6 (13.6)	4.7 (17.8)	6.1 (23.3)	7.9 (29.9)	10.0 (37.7)	12.4 (47)		
	PSIG (kPa)	0.8 (5.8)	1.2 (8.3)	2.0 (13.6)	3.1 (21.6)	4.8 (33)	7.1 (48.9)	10.3 (71)		
KXZA035H8 Compressor: ZS26KAE	BTU/H (Watts)	21940 (6430)	24720 (7240)	27650 (8100)	30740 (9010)	34010 (9970)	37500 (10990)	41200 (12070)		
	GPM (L/min)	3.2 (12.1)	4.6 (17.5)	6.5 (24.6)	8.6 (32.5)	10.9 (41.4)	13.5 (51.3)	16.5 (62.3)		
	PSIG (kPa)	0.8 (5.7)	1.4 (10)	2.5 (17.1)	4.0 (27.4)	6.0 (41.6)	8.8 (60.8)	12.6 (86.6)		
KXZA040H8 Compressor: ZS29KAE	BTU/H (Watts)	24590 (7210)	27710 (8120)	30990 (9080)	34450 (10100)	38120 (11170)	42000 (12310)	46100 (13510)		
	GPM (L/min)	3.9 (14.8)	4.9 (18.7)	6.2 (23.6)	7.8 (29.5)	9.7 (36.5)	11.8 (44.8)	14.4 (54.5)		
	PSIG (kPa)	1.3 (9.2)	1.7 (11.7)	2.3 (15.7)	3.2 (21.9)	4.5 (31.2)	6.5 (44.9)	9.3 (64.5)		
KXZA045H8 Compressor: ZS33KAE	BTU/H (Watts)	27250 (7990)	30720 (9000)	34350 (10070)	38190 (11190)	42250 (12380)	46600 (13660)	51100 (14980)		
	GPM (L/min)	5.2 (19.8)	6.7 (25.2)	8.4 (31.8)	10.5 (39.6)	12.9 (48.9)	15.8 (59.8)	19.1 (72.3)		
	PSIG (kPa)	1.8 (12.4)	2.5 (17.2)	3.6 (24.6)	5.2 (35.9)	7.6 (52.6)	11.1 (76.8)	16.1 (111)		
KXZA050H8 Compressor: ZB38KCE	BTU/H (Watts)	31430 (9210)	35230 (10320)	39340 (11530)	43810 (12840)	48680 (14270)	54000 (15830)	59700 (17500)		
	GPM (L/min)	5.4 (20.6)	6.9 (26.1)	8.8 (33.2)	11.1 (42.2)	14.1 (53.5)	17.8 (67.5)	22.4 (84.7)		
	PSIG (kPa)	2.8 (19.4)	3.3 (22.6)	3.9 (27.1)	4.9 (33.6)	6.2 (42.9)	8.2 (56.4)	11.0 (75.9)		
KXZA060H8 Compressor: ZB45KCE	BTU/H (Watts)	36990 (10840)	41830 (12260)	47110 (13810)	52830 (15480)	58960 (17280)	65500 (19200)	72500 (21250)		
	GPM (L/min)	5.7 (21.4)	7.5 (28.3)	10.0 (37.7)	13.2 (49.9)	17.3 (65.4)	22.4 (84.7)	28.6 (108.1)		
	PSIG (kPa)	0.7 (4.9)	1.4 (9.5)	2.4 (16.7)	4.0 (27.8)	6.5 (44.9)	10.2 (70.6)	15.8 (108.6)		

NOTE: The capacities shown above are rated at dew point. The dew point is a saturation point and is the condition (pressure and temperature) at which a gas begins to condense. Since R407C has significant glide, the saturated gas and saturated liquid temperatures are not the same. It is important that all components of a system are selected correctly

Capacity Rating Conditions: Entering Water = 85°F (29.4°C), Condensing = 110°F (43.3°C), Subcooling = 0°F (0°C)

MODEL KXZA	SATURATED SUCTION TEMPERATURE °F (°C)										
	-10 (-23.3)	0 (-17.8)	10 (-12.2)	20 (-6.7)	25 (-3.9)	30 (-1.1)	35 (1.7)	40 (4.4)			
KXZA007H8 Compressor: ZB06KAE	BTU/H (Watts)	3400 (1000)	4300 (1260)	5400 (1580)	6800 (1990)	7500 (2200)	8400 (2460)	9300 (2730)	10200 (2990)		
	GPM (L/min)	0.7 (2.6)	0.8 (3)	0.9 (3.4)	1.0 (3.7)	1.1 (4.3)	1.3 (5)	1.6 (5.9)	1.9 (7)		
	PSIG (kPa)	0.4 (3)	0.6 (3.8)	0.7 (4.6)	0.8 (5.4)	1.0 (6.7)	1.2 (8.6)	1.6 (11.1)	2.1 (14.6)		
KXZA008H8 Compressor: ZB07KAE	BTU/H (Watts)	3900 (1140)	5100 (1490)	6500 (1900)	8200 (2400)	9200 (2700)	10200 (2990)	11400 (3340)	12700 (3720)		
	GPM (L/min)	0.8 (3)	0.9 (3.4)	1.0 (3.9)	1.4 (5.3)	1.7 (6.3)	2.0 (7.5)	2.4 (9.2)	3.0 (11.2)		
	PSIG (kPa)	0.6 (3.8)	0.7 (4.6)	0.8 (5.7)	1.3 (9.3)	1.8 (12.2)	2.4 (16.3)	3.2 (22.3)	4.5 (30.9)		
KXZA009H8 Compressor: ZB08KAE	BTU/H (Watts)	4700 (1380)	6100 (1790)	7600 (2230)	9400 (2750)	10500 (3080)	11700 (3430)	13000 (3810)	14600 (4280)		
	GPM (L/min)	1.0 (3.8)	1.1 (4.2)	1.3 (4.9)	1.6 (6.1)	1.8 (7)	2.2 (8.2)	2.6 (9.9)	3.2 (12.1)		
	PSIG (kPa)	0.2 (1.2)	0.2 (1.5)	0.3 (2)	0.5 (3.1)	0.6 (4.1)	0.8 (5.4)	1.1 (7.4)	1.5 (10.6)		
KXZA010H8 Compressor: ZS09KAE	BTU/H (Watts)	5300 (1550)	6900 (2020)	8700 (2550)	10700 (3140)	11800 (3460)	13000 (3810)	14300 (4190)	16100 (4720)		
	GPM (L/min)	1.0 (4)	1.2 (4.6)	1.5 (5.8)	2.0 (7.6)	2.3 (8.8)	2.7 (10.2)	3.2 (12)	3.9 (14.9)		
	PSIG (kPa)	0.2 (1.3)	0.3 (1.8)	0.4 (2.8)	0.7 (4.6)	0.9 (6)	1.1 (7.9)	1.5 (10.4)	2.2 (15.1)		
KXZA011H8 Compressor: ZS11KAE	BTU/H (Watts)	6700 (1960)	8400 (2460)	10500 (3080)	13000 (3810)	14400 (4220)	15900 (4660)	17600 (5160)	19500 (5710)		
	GPM (L/min)	1.2 (4.7)	1.6 (5.9)	2.1 (8)	2.9 (11.1)	3.5 (13.2)	4.2 (15.8)	5.0 (19)	6.0 (22.8)		
	PSIG (kPa)	0.3 (1.9)	0.4 (3)	0.7 (5.1)	1.3 (9.1)	1.8 (12.3)	2.4 (16.8)	3.4 (23.2)	4.6 (32)		
KXZA015H8 Compressor: ZS13KAE	BTU/H (Watts)	7600 (2230)	9600 (2810)	11900 (3490)	14800 (4340)	16400 (4810)	18200 (5330)	20100 (5890)	22200 (6510)		
	GPM (L/min)	1.4 (5.3)	1.5 (5.5)	1.8 (6.8)	2.6 (9.8)	3.2 (12)	3.9 (14.9)	4.9 (18.6)	6.1 (23.2)		
	PSIG (kPa)	0.6 (3.9)	0.6 (4.1)	0.7 (5.2)	1.2 (8.1)	1.6 (11.1)	2.3 (15.6)	3.3 (22.8)	4.9 (33.6)		
KXZA020H8 Compressor: ZS15KAE	BTU/H (Watts)	9200 (2700)	11500 (3370)	14400 (4220)	17700 (5190)	19800 (5800)	21900 (6420)	24200 (7090)	26700 (7820)		
	GPM (L/min)	1.8 (6.9)	1.9 (7.2)	2.3 (8.8)	3.2 (12.3)	4.0 (15.2)	5.0 (18.8)	6.2 (23.4)	7.7 (29.2)		
	PSIG (kPa)	0.7 (5.1)	0.8 (5.4)	1.0 (7.2)	1.7 (11.6)	2.3 (16)	3.2 (22.4)	4.6 (31.7)	6.6 (45.6)		
KXZA025H8 Compressor: ZS19KAE	BTU/H (Watts)	10300 (3020)	12900 (3780)	16200 (4750)	19900 (5830)	22100 (6480)	24500 (7180)	27100 (7940)	30000 (8790)		
	GPM (L/min)	2.0 (7.7)	2.2 (8.3)	2.5 (9.5)	2.8 (10.6)	3.0 (11.4)	3.2 (12.2)	4.1 (15.5)	5.3 (19.9)		
	PSIG (kPa)	0.3 (2.1)	0.4 (2.7)	0.6 (3.8)	0.7 (5)	0.8 (5.8)	1.0 (6.7)	1.5 (10.6)	2.4 (16.6)		
KXZA030H8 Compressor: ZS21KAE	BTU/H (Watts)	13800 (4040)	17300 (5070)	21600 (6330)	26600 (7800)	29400 (8620)	32900 (9640)	36400 (10670)	40200 (11780)		
	GPM (L/min)	2.8 (10.6)	3.5 (13.2)	3.1 (11.6)	4.9 (18.6)	6.2 (23.6)	8.3 (31.3)	10.6 (40.1)	13.5 (51)		
	PSIG (kPa)	0.7 (5)	1.1 (7.9)	0.9 (6)	2.1 (14.6)	3.2 (22.2)	5.2 (35.6)	7.9 (54.2)	11.9 (81.8)		
KXZA035H8 Compressor: ZS26KAE	BTU/H (Watts)	15400 (4510)	19300 (5660)	24200 (7090)	29700 (8700)	33100 (9700)	36700 (10760)	40500 (11870)	44800 (13130)		
	GPM (L/min)	2.6 (9.8)	3.0 (11.4)	4.2 (15.7)	6.8 (25.6)	8.4 (31.9)	10.3 (38.8)	12.2 (46.3)	14.6 (55.1)		
	PSIG (kPa)	0.6 (4.2)	0.7 (5.2)	1.2 (8.4)	2.7 (18.4)	3.9 (26.6)	5.4 (37.2)	7.4 (50.8)	10.1 (69.3)		
KXZA040H8 Compressor: ZS29KAE	BTU/H (Watts)	17500 (5130)	21900 (6420)	27500 (8060)	33800 (9910)	37300 (10930)	41700 (12220)	46100 (13510)	50900 (14920)		
	GPM (L/min)	3.4 (13)	4.5 (16.9)	6.1 (23)	8.3 (31.6)	9.8 (37)	11.8 (44.6)	14.0 (52.9)	16.6 (62.7)		
	PSIG (kPa)	1.2 (8.2)	1.5 (10.4)	2.2 (15.2)	3.5 (24.4)	4.6 (31.9)	6.4 (44.4)	8.8 (60.9)	12.2 (84.3)		
KXZA045H8 Compressor: ZS33KAE	BTU/H (Watts)	18600 (5450)	24200 (7090)	30300 (8880)	37200 (10900)	41400 (12130)	45900 (13450)	50800 (14890)	56100 (16440)		
	GPM (L/min)	3.9 (14.7)	5.4 (20.4)	7.5 (28.3)	10.3 (39.1)	12.3 (46.6)	14.6 (55.3)	17.4 (65.8)	20.6 (78.1)		
	PSIG (kPa)	1.3 (9.2)	1.9 (12.9)	3.0 (20.5)	5.1 (35.2)	7.0 (48.1)	9.6 (66.3)	13.4 (92.3)	18.7 (128.9)		
KXZA050H8 Compressor: ZB38KCE	BTU/H (Watts)	22300 (6540)	28100 (8240)	34900 (10230)	42900 (12570)	47300 (13860)	52100 (15270)	57200 (16760)	62600 (18350)		
	GPM (L/min)	4.0 (15.2)	5.1 (19.4)	6.9 (26)	9.6 (36.2)	11.4 (43)	13.5 (51.3)	16.1 (61.1)	19.2 (72.8)		
	PSIG (kPa)	2.4 (16.7)	2.7 (18.8)	3.3 (22.5)	4.2 (29.2)	5.0 (34.2)	5.9 (41)	7.3 (50)	9.0 (62.1)		
KXZA060H8 Compressor: ZB45KCE	BTU/H (Watts)	26500 (7770)	33400 (9790)	41500 (12160)	50900 (14920)	56200 (16470)	61800 (18110)	67900 (19900)	74400 (21800)		
	GPM (L/min)	5.1 (19.4)	6.5 (24.5)	8.5 (32.2)	11.6 (43.8)	13.6 (51.4)	16.0 (60.4)	18.8 (71.2)	22.2 (83.9)		
	PSIG (kPa)	0.5 (3.7)	1.0 (6.8)	1.8 (12.3)	3.2 (22)	4.2 (29.3)	5.7 (39)	7.5 (52)	10.1 (69.4)		

LOW TEMPERATURE

Capacity Rating Conditions: Entering Water = 85°F (29.4°C), Condensing = 110°F (43.3°C), Subcooling = 0°F (0°C)

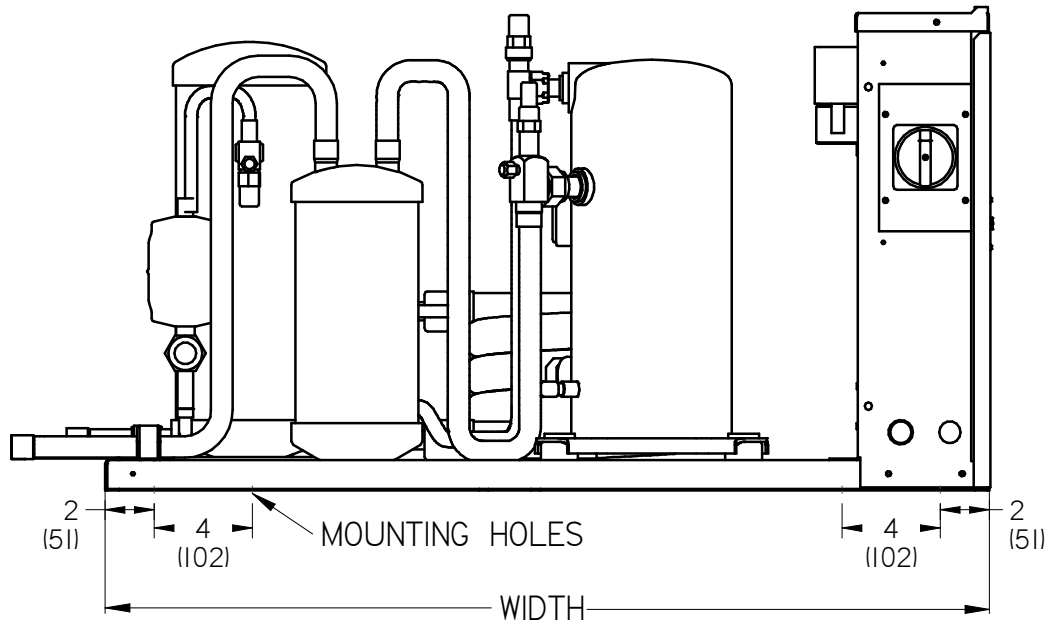
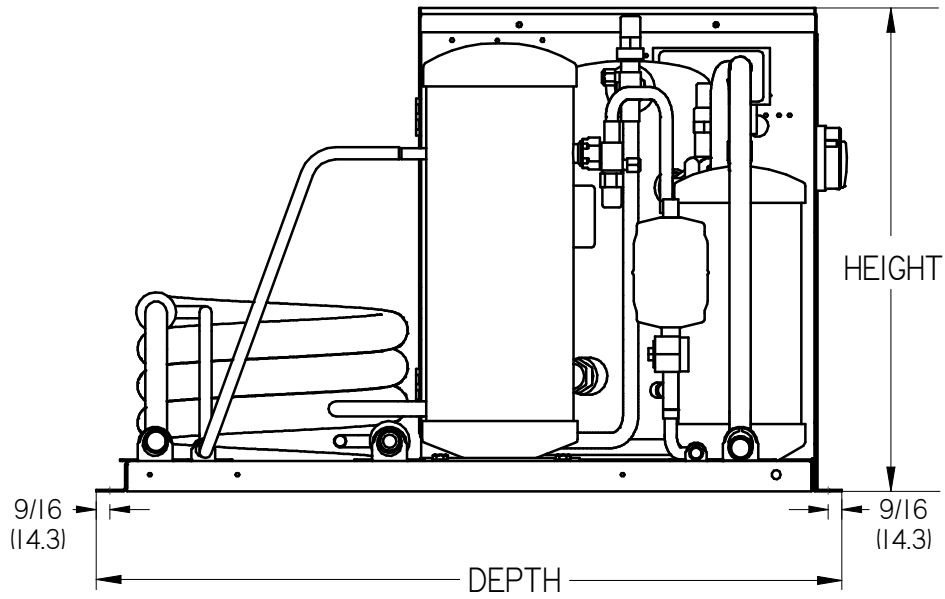
MODEL KXZA		SATURATED SUCTION TEMPERATURE °F (°C)											
		-40 (-40)	-30 (-34.4)	-25 (-31.7)	-20 (-28.9)	-15 (-26.1)	-10 (-23.3)	-5 (-20.6)	0 (-17.8)				
KXZA008L8 Compressor: ZF03KAE	BTU/H (Watts)	2000 (590)	2400 (700)	2700 (790)	3100 (910)	3500 (1030)	3900 (1140)	4400 (1290)	5000 (1470)				
	GPM (L/min)	0.6 (2.2)	0.7 (2.5)	0.7 (2.8)	0.8 (3)	0.9 (3.4)	1.0 (3.8)	1.2 (4.4)	1.3 (5.1)				
	PSIG (kPa)	0.3 (1.9)	0.3 (2.4)	0.4 (2.7)	0.5 (3.1)	0.5 (3.7)	0.7 (4.5)	0.8 (5.5)	1.0 (6.9)				
KXZA010L8 Compressor: ZF04KAE	BTU/H (Watts)	2500 (730)	3200 (940)	3600 (1060)	4100 (1200)	4700 (1380)	5400 (1580)	6100 (1790)	6900 (2020)				
	GPM (L/min)	0.8 (2.9)	0.9 (3.6)	1.1 (4.1)	1.2 (4.7)	1.4 (5.4)	1.7 (6.4)	2.0 (7.5)	2.3 (8.8)				
	PSIG (kPa)	0.4 (2.9)	0.6 (4)	0.7 (4.9)	0.9 (6.1)	1.1 (7.7)	1.4 (9.8)	1.9 (12.8)	2.4 (16.7)				
KXZA015L8 Compressor: ZF05KAE	BTU/H (Watts)	3000 (880)	3900 (1140)	4500 (1320)	5100 (1490)	5800 (1700)	6500 (1900)	7400 (2170)	8200 (2400)				
	GPM (L/min)	0.8 (2.9)	0.9 (3.3)	0.9 (3.4)	1.0 (3.6)	1.1 (4.2)	1.3 (4.9)	1.5 (5.8)	1.8 (6.9)				
	PSIG (kPa)	0.5 (3.5)	0.6 (4.4)	0.8 (5.5)	0.7 (5.1)	0.9 (6.4)	1.2 (8.3)	1.6 (10.8)	2.1 (14.3)				
KXZA020L8 Compressor: ZF07KAE	BTU/H (Watts)	4600 (1350)	6200 (1820)	7100 (2080)	8100 (2370)	9100 (2670)	10200 (2990)	11500 (3370)	12900 (3780)				
	GPM (L/min)	1.1 (4.3)	1.4 (5.4)	1.6 (6.2)	1.9 (7.2)	2.2 (8.5)	2.7 (10.1)	3.2 (12.2)	3.9 (14.8)				
	PSIG (kPa)	0.2 (1.6)	0.4 (2.5)	0.5 (3.2)	0.6 (4.3)	0.8 (5.7)	1.1 (7.8)	1.5 (10.7)	2.2 (14.9)				
KXZA025L8 Compressor: ZF08K4E	BTU/H (Watts)	5700 (1670)	7400 (2170)	8300 (2430)	9300 (2730)	10500 (3080)	11700 (3430)	13100 (3840)	14500 (4250)				
	GPM (L/min)	1.4 (5.3)	1.4 (5.4)	1.6 (6.1)	1.7 (6.2)	1.9 (7.1)	2.2 (8.4)	2.7 (10.2)	3.3 (12.5)				
	PSIG (kPa)	0.6 (4)	0.6 (4)	0.7 (4.5)	0.7 (4.7)	0.8 (5.4)	1.0 (6.6)	1.2 (8.6)	1.7 (11.8)				
KXZA030L8 Compressor: ZF09K4E	BTU/H (Watts)	6300 (1850)	8200 (2400)	9300 (2730)	10400 (3050)	11600 (3400)	13000 (3810)	14500 (4250)	16100 (4720)				
	GPM (L/min)	1.5 (5.7)	1.6 (6.1)	1.7 (6.4)	1.8 (6.9)	2.1 (8.1)	2.6 (9.8)	3.2 (12)	4.0 (15)				
	PSIG (kPa)	0.6 (4.2)	0.7 (4.5)	0.7 (4.8)	0.8 (5.3)	0.9 (6.4)	1.2 (8.2)	1.6 (11.1)	2.3 (15.7)				
KXZA035L8 Compressor: ZF11K4E	BTU/H (Watts)	7900 (2320)	10200 (2990)	11500 (3370)	12900 (3780)	14500 (4250)	16200 (4750)	18100 (5300)	20100 (5890)				
	GPM (L/min)	1.8 (6.8)	2.0 (7.5)	2.2 (8.3)	2.5 (9.5)	3.0 (11.3)	3.6 (13.8)	4.5 (17.1)	5.7 (21.5)				
	PSIG (kPa)	0.7 (5)	0.8 (5.7)	1.0 (6.6)	1.2 (8)	1.5 (10.3)	2.0 (13.8)	2.8 (19.3)	4.0 (27.6)				
KXZA045L8 Compressor: ZF13K4E	BTU/H (Watts)	8800 (2580)	11500 (3370)	13000 (3810)	14700 (4310)	16600 (4860)	18600 (5450)	20800 (6100)	23100 (6770)				
	GPM (L/min)	1.9 (7.3)	2.4 (9.1)	2.8 (10.7)	3.4 (12.9)	4.2 (15.9)	5.3 (20)	6.7 (25.2)	8.4 (31.8)				
	PSIG (kPa)	0.8 (5.5)	1.1 (7.5)	1.4 (9.5)	1.8 (12.5)	2.5 (17.3)	3.6 (24.5)	5.2 (35.7)	7.7 (52.7)				
KXZA055L8 Compressor: ZF15K4E	BTU/H (Watts)	11100 (3250)	14400 (4220)	16200 (4750)	18200 (5330)	20400 (5980)	22900 (6710)	25500 (7470)	28400 (8320)				
	GPM (L/min)	2.2 (8.3)	2.7 (10.2)	2.9 (11)	3.2 (12.1)	3.7 (14)	4.8 (18)	6.2 (23.4)	8.0 (30.4)				
	PSIG (kPa)	0.4 (2.7)	0.7 (4.6)	0.8 (5.4)	1.0 (6.6)	1.3 (8.7)	2.0 (13.9)	3.2 (21.8)	4.9 (33.9)				
KXZA060L8 Compressor: ZF18K4E	BTU/H (Watts)	13400 (3930)	17400 (5100)	19700 (5770)	22100 (6480)	24700 (7240)	27500 (8060)	30600 (8970)	34000 (9960)				
	GPM (L/min)	2.8 (10.6)	3.3 (12.5)	4.0 (15)	5.1 (19.3)	6.6 (24.9)	8.5 (32.2)	11.0 (41.6)	14.1 (53.5)				
	PSIG (kPa)	0.7 (5)	1.0 (7)	1.4 (10)	2.3 (15.6)	3.5 (24.3)	5.4 (37.5)	8.4 (57.8)	12.9 (89)				

MODEL KXHA	COMPRESSOR MODEL NO.	POWER SUPPLY	COMPRESSOR		UNIT	
			RLA	LRA	MCA	MOP
KXHA006M8-	IS2 RST45C1E-CAV	208-230/1/60	4.6	26.5	5.8	15
KXHA008M8-	IS2 RST55C1E-CAV	208-230/1/60	6.1	33.7	7.6	15
KXHA009M8-	IS2 RST64C1E-CAV	208-230/1/60	8.1	43.0	10.1	15
KXHA010M8-	IS2 RST70C1E-PFV	208-230/1/60	6.9	46.0	8.6	15
	IT3 RST70C1E-TA5	208-230/3/60	4.9	36.0	6.1	15
KXHA011M8-	IS2 RST80C1E-PFV	208-230/1/60	8.3	46.0	10.4	15
	IT3 RST80C1E-TA5	208-230/3/60	5.1	36.0	6.4	15
KXHA013M8-	IS2 RST97C1E-PFV	208-230/1/60	9.0	51.0	11.3	20
	IT3 RST97C1E-TA5	208-230/3/60	5.4	36.0	6.8	15
KXHA006L6-	IS2 RFT22C1E-CAV	208-230/1/60	4.7	29.0	5.9	15
KXHA008L6-	IS2 RFT26C1E-CAV	208-230/1/60	5.8	35.5	7.3	15

Above listed RLA value is based on UL rating method and may differ from published compressor RLA data.

MODEL KXZA	COMPRESSOR MODEL NO.	POWER SUPPLY	COMPRESSOR		UNIT	
			RLA	LRA	MCA	MOP
KXZA007H8-	IS2 ZB06KAE-PFV	208-230/1/60	6.0	36.0	7.5	15
	IT3 ZB06KAE-TF5	208-230/3/60	4.8	37.8	6.0	15
KXZA008H8-	IS2 ZB07KAE-PFV	208-230/1/60	6.3	48.0	7.9	15
	IT3 ZB07KAE-TF5	208-230/3/60	5.2	37.8	6.5	15
KXZA009H8-	IS2 ZB08KAE-PFV	208-230/1/60	8.0	47.2	10.0	15
	IT3 ZB08KAE-TF5	208-230/3/60	5.3	37.8	6.6	15
KXZA010H8-	IS2 ZS09KAE-PFV	208-230/1/60	10.0	40.3	12.5	20
	IT3 ZS09KAE-TF5	208-230/3/60	8.0	55.4	10.0	15
	IT4 ZS09KAE-TFD	460/3/60	3.8	28	4.8	15
KXZA011H8-	IS2 ZS11KAE-PFV	208-230/1/60	12.6	55	15.8	25
	IT3 ZS11KAE-TF5	208-230/3/60	10.4	58	13.0	20
	IT4 ZS11KAE-TFD	460/3/60	4.3	28	5.4	15
KXZA015H8-	IS2 ZS13KAE-PFV	208-230/1/60	12.0	56	15.0	25
	IT3 ZS13KAE-TF5	208-230/3/60	9.7	58	12.1	20
	IT4 ZS13KAE-TFD	460/3/60	4.8	29	6.0	15
	IT5 ZS13KAE-TFE	575/3/60	3.6	24.5	4.5	15
KXZA020H8-	IS2 ZS15KAE-PFV	208-230/1/60	15.7	68	19.6	35
	IT3 ZS15KAE-TF5	208-230/3/60	10.6	58	13.3	20
	IT4 ZS15KAE-TFD	460/3/60	5.4	29	6.8	15
	IT5 ZS15KAE-TFE	575/3/60	3.9	24	4.9	15
KXZA025H8-	IS2 ZS19KAE-PFV	208-230/1/60	18.0	75	22.5	40
	IT3 ZS19KAE-TF5	208-230/3/60	13.7	73	17.1	30
	IT4 ZS19KAE-TFD	460/3/60	6.5	38	8.1	15
	IT5 ZS19KAE-TFE	575/3/60	4.3	28	5.4	15
	IS2 ZS21KAE-PFV	208-230/1/60	23.2	112	29.0	45
KXZA030H8-	IT3 ZS21KAE-TF5	208-230/3/60	15.2	93	19.0	30
	IT4 ZS21KAE-TFD	460/3/60	6.9	48	8.6	15
	IT5 ZS21KAE-TFE	575/3/60	5.8	33	7.3	15
	IS2 ZS26KAE-PFV	208-230/1/60	23.6	104	29.5	50
KXZA035H8-	IT3 ZS26KAE-TF5	208-230/3/60	15.5	93	19.4	30
	IT4 ZS26KAE-TFD	460/3/60	6.9	48	8.6	15
	IT5 ZS26KAE-TFE	575/3/60	6.4	38	8.0	15
	IS2 ZS29KAE-PFV	208-230/1/60	26.1	137	32.6	50
KXZA040H8-	IT3 ZS29KAE-TF5	208-230/3/60	20.5	114	25.6	45
	IT4 ZS29KAE-TFD	460/3/60	9.4	58	11.8	20
	IT5 ZS29KAE-TFE	575/3/60	5.8	43	7.3	15
	IS2 ZS33KAE-PFV	208-230/1/60	25.6	146	32.0	50
KXZA045H8-	IT3 ZS33KAE-TF5	208-230/3/60	22.3	114	27.9	50
	IT4 ZS33KAE-TFD	460/3/60	10.0	52	12.5	20
	IT5 ZS33KAE-TFE	575/3/60	6.9	39.5	8.6	15
KXZA050H8-	IS2 ZB38KCE-PFV	208-230/1/60	31.1	175	38.9	70
	IT3 ZB38KCE-TF5	208-230/3/60	22.1	128	27.6	45
	IT4 ZB38KCE-TFD	460/3/60	9.6	63	12.0	20
	IT5 ZB38KCE-TFE	575/3/60	7.1	50	8.9	15
KXZA060H8-	IT3 ZB45KCE-TF5	208-230/3/60	22.5	156	28.1	50
	IT4 ZB45KCE-TFD	460/3/60	11.5	75	14.4	25
	IT5 ZB45KCE-TFE	575/3/60	7.9	54	9.9	15

MODEL KXZA		COMPRESSOR MODEL NO.	POWER SUPPLY	COMPRESSOR		UNIT	
				RLA	LRA	MCA	MOP
KXZA008L8-	IS2	ZF03KAE-PFV	208-230/1/60	6.1	43	7.6	15
	IT3	ZF03KAE-TF5	208-230/3/60	4.1	32	5.1	15
KXZA010L8-	IS2	ZF04KAE-PFV	208-230/1/60	7.4	40	9.3	15
	IT3	ZF04KAE-TF5	208-230/3/60	6.6	55	8.3	15
KXZA015L8-	IS2	ZF05KAE-PFV	208-230/1/60	8.7	55	10.9	15
	IT3	ZF05KAE-TF5	208-230/3/60	7.4	58	9.3	15
KXZA020L8-	IS2	ZF07KAE-PFV	208-230/1/60	13.9	75	17.4	30
	IT3	ZF07KAE-TF5	208-230/3/60	8.6	58	10.8	15
KXZA025L8-	IS2	ZF08K4E-PFV	208-230/1/60	16.4	73	20.5	35
	IT3	ZF08K4E-TF5	208-230/3/60	9.6	63	12.0	20
	IT4	ZF08K4E-TFD	460/3/60	5.0	31	6.3	15
KXZA030L8-	IS2	ZF09K4E-PFV	208-230/1/60	16.4	88	20.5	35
	IT3	ZF09K4E-TF5	208-230/3/60	11.1	77	13.9	20
	IT4	ZF09K4E-TFD	460/3/60	5.0	39	6.3	15
	IT5	ZF09K4E-TFE	575/3/60	4.3	31	5.4	15
KXZA035L8-	IS2	ZF11K4E-PFV	208-230/1/60	20.8	109	26.0	45
	IT3	ZF11K4E-TF5	208-230/3/60	14.2	88	17.8	25
	IT4	ZF11K4E-TFD	460/3/60	7.1	44	8.9	15
	IT5	ZF11K4E-TFE	575/3/60	5.0	34	6.3	15
KXZA045L8-	IS2	ZF13K4E-PFV	208-230/1/60	26.8	129	33.5	50
	IT3	ZF13K4E-TF5	208-230/3/60	15.0	99	18.8	30
	IT4	ZF13K4E-TFD	460/3/60	8.2	49.5	10.3	15
	IT5	ZF13K4E-TFE	575/3/60	8.2	40	10.3	15
KXZA055L8-	IS2	ZF15K4E-PFV	208-230/1/60	31.8	169	39.8	60
	IT3	ZF15K4E-TF5	208-230/3/60	21.4	123	26.8	40
	IT4	ZF15K4E-TFD	460/3/60	9.6	62	12.0	20
	IT5	ZF15K4E-TFE	575/3/60	7.9	50	9.9	15
KXZA060L8-	IT3	ZF18K4E-TF5	208-230/3/60	23.9	156	29.9	50
	IT4	ZF18K4E-TFD	460/3/60	9.3	75	11.6	20
	IT5	ZF18K4E-TFE	575/3/60	7.9	54	9.9	15



**REFER TO NEXT PAGE FOR
DIMENSIONAL DATA FOR SPECIFIC MODELS**

MODEL KXHA	WIDTH		DEPTH		HEIGHT	
	Inches	mm	Inches	mm	Inches	mm
KXHA006M8	24 7/8	632	30 3/8	772	19	483
KXHA008M8	24 7/8	632	30 3/8	772	19	483
KXHA009M8	24 7/8	632	30 3/8	772	19	483
KXHA010M8	24 7/8	632	30 3/8	772	19	483
KXHA011M8	24 7/8	632	30 3/8	772	19	483
KXHA013M8	36 3/8	924	30 3/8	772	19 1/2	495
KXHA006L6	24 7/8	632	30 3/8	772	19	483
KXHA008L6	24 7/8	632	30 3/8	772	19	483

MODEL KXZA	WIDTH		DEPTH		HEIGHT	
	Inches	mm	Inches	mm	Inches	mm
KXZA007H8	24 7/8	632	30 3/8	772	19	483
KXZA008H8	24 7/8	632	30 3/8	772	19	483
KXZA009H8	24 7/8	632	30 3/8	772	19	483
KXZA010H8	36 3/8	924	30 3/8	772	19 1/2	495
KXZA011H8	36 3/8	924	30 3/8	772	19 1/2	495
KXZA015H8	36 3/8	924	30 3/8	772	19 1/2	495
KXZA020H8	36 3/8	924	30 3/8	772	19 1/2	495
KXZA025H8	36 3/8	924	30 3/8	772	19 1/2	495
KXZA030H8	43 7/8	1114	32 7/8	835	30	762
KXZA035H8	43 7/8	1114	32 7/8	835	30	762
KXZA040H8	43 7/8	1114	32 7/8	835	30	762
KXZA045H8	43 7/8	1114	32 7/8	835	30	762
KXZA050H8	43 7/8	1114	32 7/8	835	30	762
KXZA060H8	43 7/8	1114	32 7/8	835	30	762
KXZA008L8	24 7/8	632	30 3/8	772	19	483
KXZA010L8	24 7/8	632	30 3/8	772	19	483
KXZA015L8	24 7/8	632	30 3/8	772	19	483
KXZA020L8	36 3/8	924	30 3/8	772	19 1/2	495
KXZA025L8	36 3/8	924	30 3/8	772	19 1/2	495
KXZA030L8	36 3/8	924	30 3/8	772	19 1/2	495
KXZA035L8	36 3/8	924	30 3/8	772	19 1/2	495
KXZA045L8	43 7/8	1114	32 7/8	835	30	762
KXZA055L8	43 7/8	1114	32 7/8	835	30	762
KXZA060L8	43 7/8	1114	32 7/8	835	30	762

MODEL KXHA	FIELD CONNECTIONS				WATER CONNECTION		RECEIVER CAPACITY 90% FULL *		SHIPPING WEIGHT	
	SUCTION		LIQUID		In.	mm	Lbs.	Kgs	Lbs.	Kgs
	In.	mm	In.	mm						
KXHA006M8	5/8	16	3/8	10	1/2	13	5.4	2.4	120	54
KXHA008M8	5/8	16	3/8	10	1/2	13	5.4	2.4	120	54
KXHA009M8	5/8	16	3/8	10	1/2	13	5.4	2.4	120	54
KXHA010M8	5/8	16	3/8	10	1/2	13	5.4	2.4	140	64
KXHA011M8	5/8	16	3/8	10	1/2	13	5.4	2.4	140	64
KXHA013M8	5/8	16	3/8	10	5/8	16	11.3	5.1	240	109
KXHA006L6	1/2	13	3/8	10	1/2	13	5.4	2.4	110	50
KXHA008L6	5/8	16	3/8	10	1/2	13	5.4	2.4	160	73

MODEL KXZA	FIELD CONNECTIONS				WATER CONNECTION		RECEIVER CAPACITY 90% FULL *		SHIPPING WEIGHT	
	SUCTION		LIQUID		In.	mm	Lbs.	Kgs	Lbs.	Kgs
	Inches	mm	Inches	mm						
KXZA007H8	5/8	16	3/8	10	1/2	13	5.4	2.4	115	52
KXZA008H8	5/8	16	3/8	10	1/2	13	5.4	2.4	115	52
KXZA009H8	5/8	16	3/8	10	1/2	13	5.4	2.4	115	52
KXZA010H8	5/8	16	3/8	10	5/8	16	5.4	2.4	115	52
KXZA011H8	5/8	16	3/8	10	5/8	16	5.4	2.4	125	57
KXZA015H8	7/8	22	3/8	10	5/8	16	11.0	5.0	150	68
KXZA020H8	7/8	22	3/8	10	3/4	19	11.0	5.0	250	113
KXZA025H8	7/8	22	1/2	13	7/8	22	14.0	6.4	250	113
KXZA030H8	7/8	22	1/2	13	7/8	22	22.0	10.0	265	120
KXZA035H8	7/8	22	1/2	13	7/8	22	22.0	10.0	330	150
KXZA040H8	1 1/8	29	1/2	13	7/8	22	22.0	10.0	330	150
KXZA045H8	1 1/8	29	1/2	13	7/8	22	22.0	10.0	340	154
KXZA050H8	1 1/8	29	1/2	13	7/8	22	22.0	10.0	340	154
KXZA060H8	1 1/8	29	1/2	13	1 1/8	29	22.0	10.0	350	159
KXZA008L8	5/8	16	3/8	10	1/2	13	5.4	2.4	115	52
KXZA010L8	5/8	16	3/8	10	1/2	13	5.4	2.4	115	52
KXZA015L8	5/8	16	3/8	10	1/2	13	5.4	2.4	115	52
KXZA020L8	7/8	22	3/8	10	5/8	16	11.0	5.0	200	91
KXZA025L8	7/8	22	3/8	10	5/8	16	14.0	6.4	220	100
KXZA030L8	7/8	22	3/8	10	5/8	16	14.0	6.4	230	104
KXZA035L8	7/8	22	1/2	13	3/4	19	22.0	10.0	240	109
KXZA045L8	1 1/8	29	1/2	13	3/4	19	22.0	10.0	290	132
KXZA055L8	1 1/8	29	1/2	13	7/8	22	22.0	10.0	290	132
KXZA060L8	1 1/8	29	1/2	13	7/8	22	22.0	10.0	300	136

*** NOTE ON ALTERNATE REFRIGERANTS:**

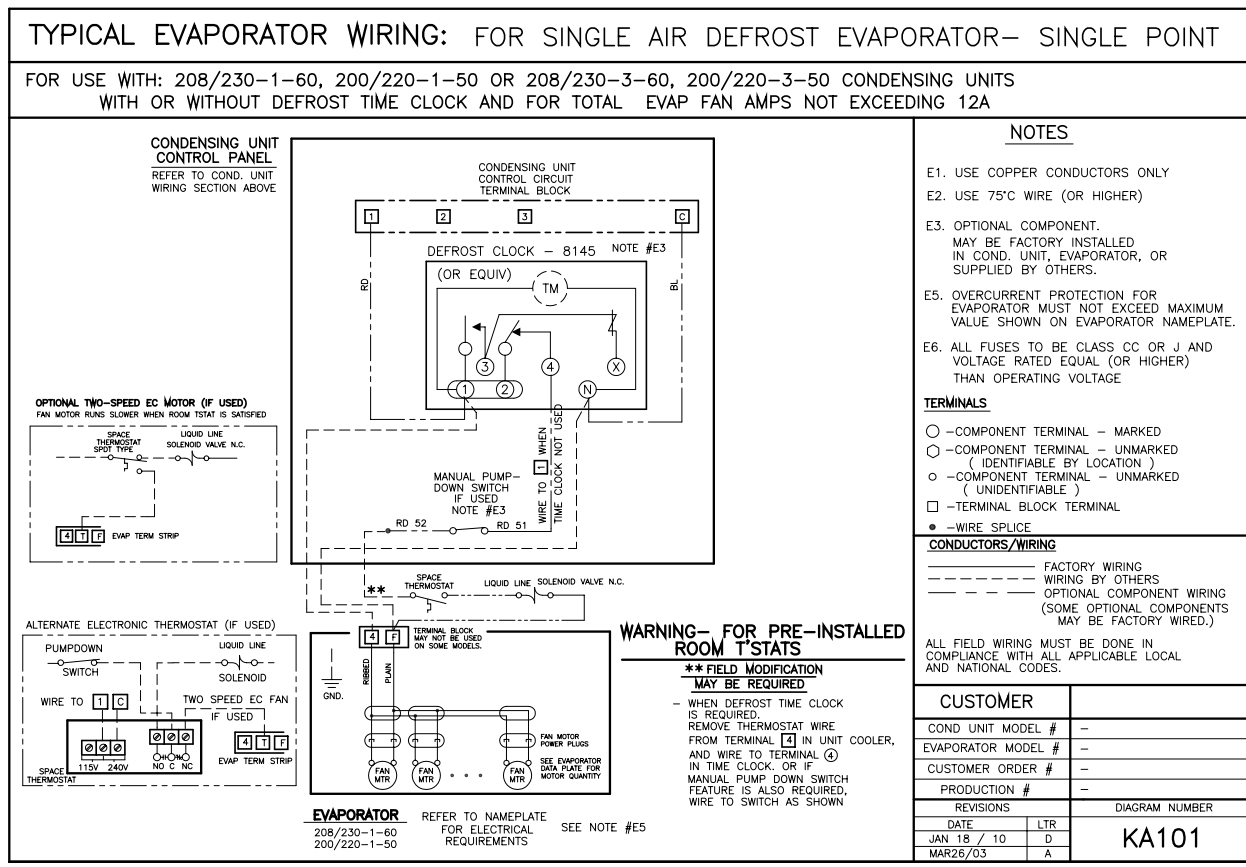
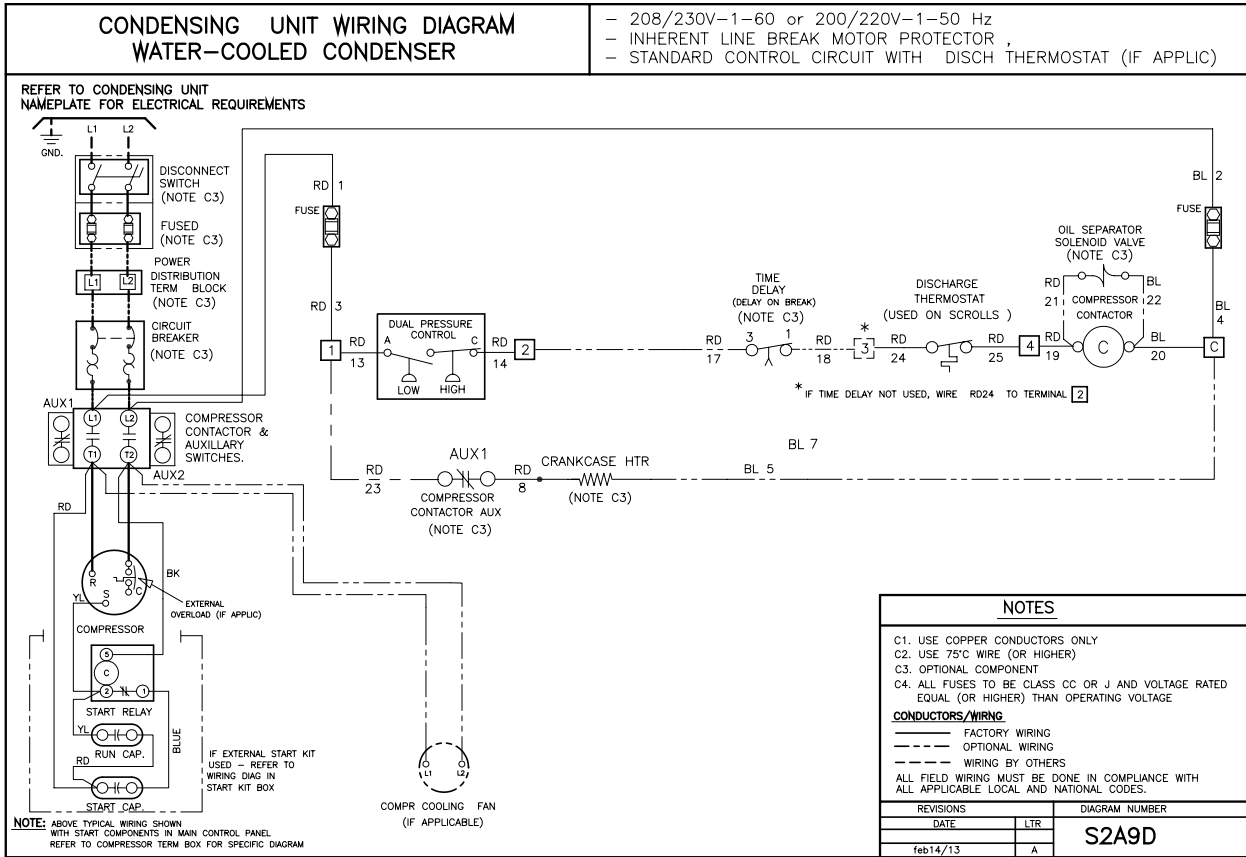
* PUBLISHED RECEIVER CAPACITY IS BASED ON **R404A** ON MODELS USING "8" AS REFRIGERANT CODE.
FOR ALTERNATE REFRIGERANTS, MULTIPLY **R404A** VALUE BY THE APPROPRIATE VALUE BELOW:

R407A	R407C	R448A R449A	R507	R22
1.10	1.10	1.05	1.00	1.15

TYPICAL SYSTEM WIRING DIAGRAM

208-230/1/60 Unit

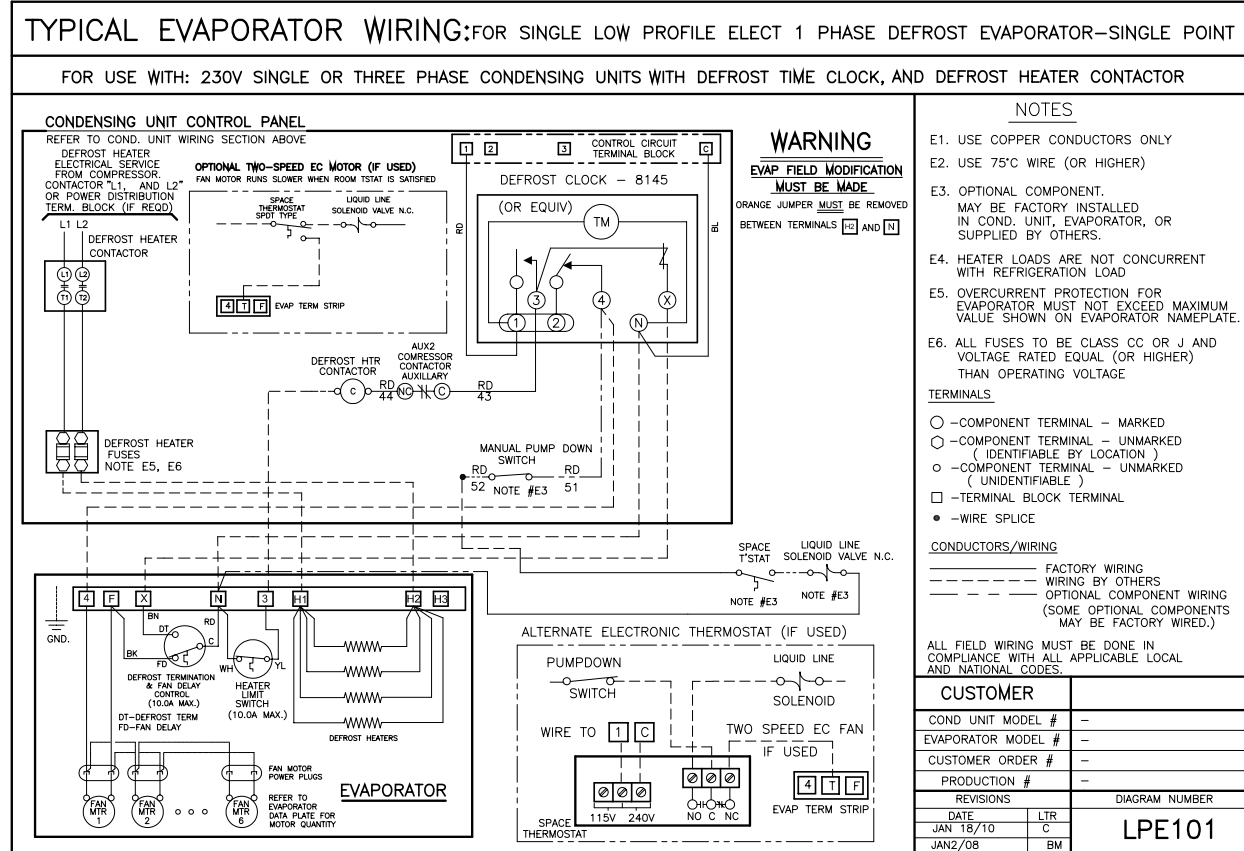
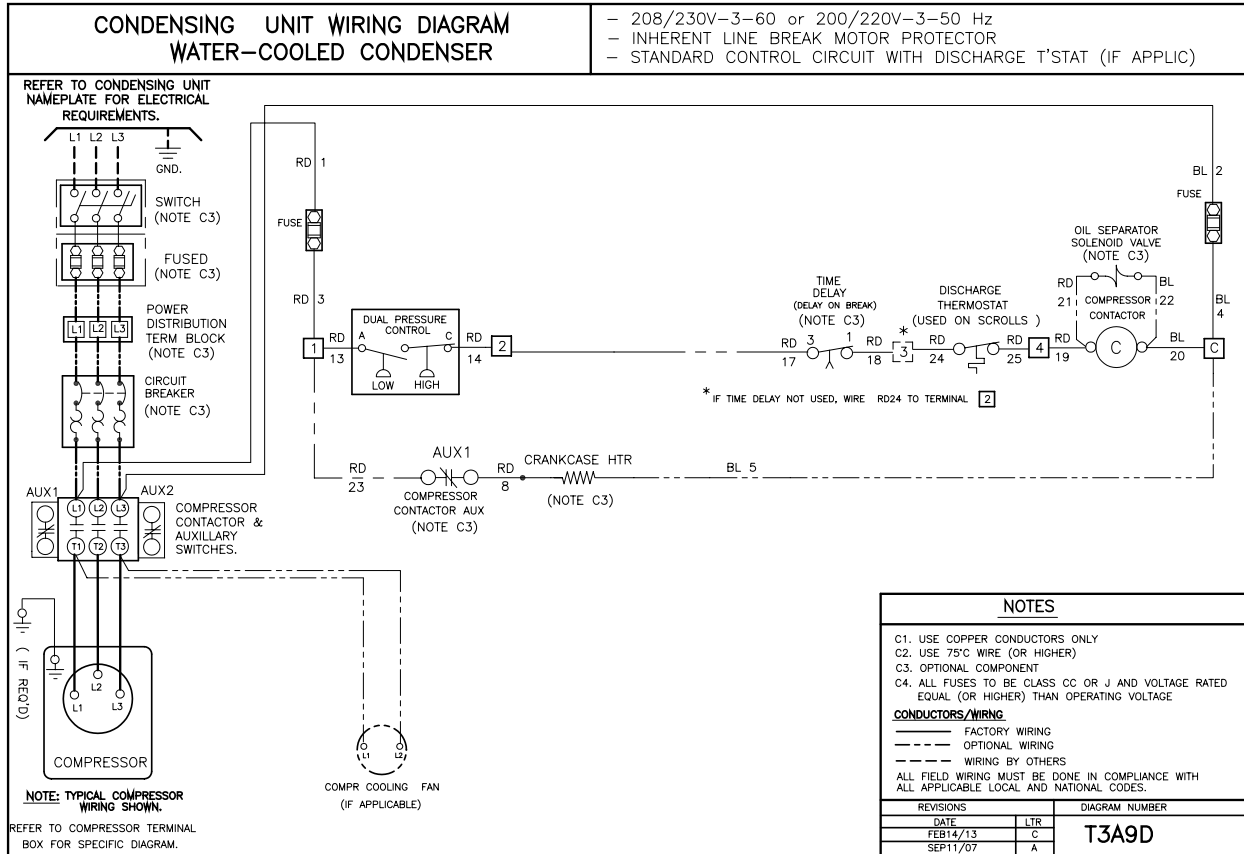
with Single Air Defrost Evaporator



TYPICAL SYSTEM WIRING DIAGRAM

208-230/3/60 Unit

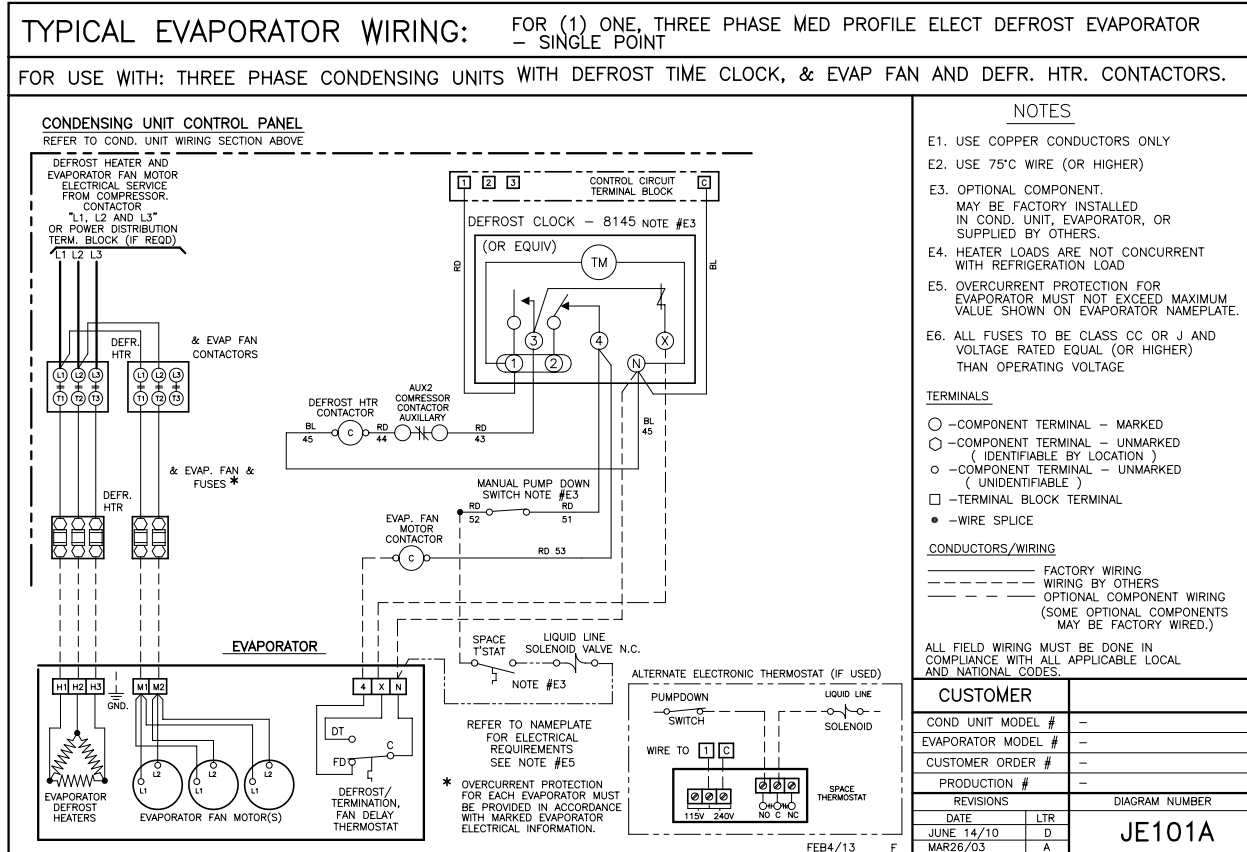
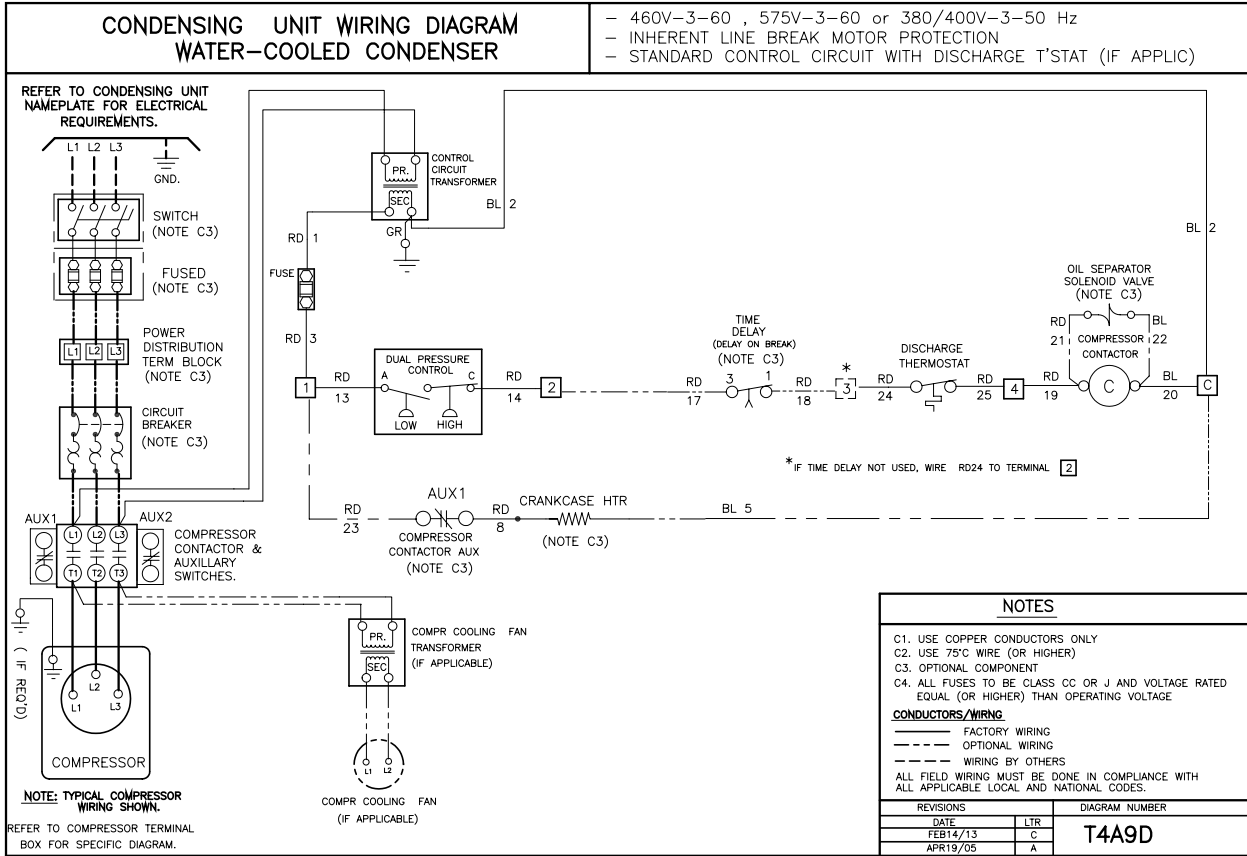
with Single Low Profile Electric Defrost Evaporator



TYPICAL SYSTEM WIRING DIAGRAM

460/3/60 or 575/3/60 Unit

with Single Low Profile Electric Defrost Evaporator



 PRODUCT SUPPORT	<p><i>web:</i> www.k-rp.com/kx <i>email:</i> rcu-wccu@k-rp.com <i>call:</i> 1-844-893-3222 x523</p>
 TROUBLESHOOTING	<p><i>email:</i> troubleshooting@k-rp.com <i>call:</i> 1-844-893-3222 x529</p>
 SERVICE PARTS	<p><i>web:</i> www.k-rp.com/parts <i>email:</i> parts@k-rp.com <i>call:</i> 1-844-893-3222 x504</p>
 WARRANTY	<p><i>web:</i> www.k-rp.com/warranty <i>email:</i> warranty@k-rp.com <i>call:</i> 1-844-893-3222 x507</p>
 ORDERS	<p><i>email:</i> orders@k-rp.com <i>call:</i> 1-844-893-3222 x501</p>
 SHIPPING	<p><i>email:</i> shipping@k-rp.com <i>call:</i> 1-844-893-3222 x503</p>



KeepRite Refrigeration
Brantford, ON • Longview, TX
1-800-463-9517 info@k-rp.com www.k-rp.com

